

# ***GENERAL PURPOSE ENGINE***

**GX270UT  
GX270UT2  
GX270RT  
GX270RT2**

**PARTS CATALOGUE**

**11**

---

FOREWORD INDEX

**1**

---

ENGINE GROUP

**2**

---

PART NUMBER INDEX

**3**

---

PART NAME INDEX

**4**

---



**Instruction for use of parts catalogue**

- **This parts catalogue was prepared based on the latest information available as of December 01, 2012.**
- See the parts catalogue news for any revision that is made after December 01, 2012.
- **Always specify the part number when ordering a part.**
- Check the model, type, serial numbers, color, maker, and the size as needed before ordering a part.
- Note that the illustrations (part drawings) can differ from the actual parts in shape. They are given just to help you to refer to the parts.
- **When modifications or additions to this parts catalogue are made, a revised edition will be issued at an appropriate time, with successively progressing revision numbers on the cover. We recommend obtaining such revisions in order to keep your parts catalogue up-to-date at all times. To check whether a parts catalogue revision has been issued, please contact your Honda distributor.**

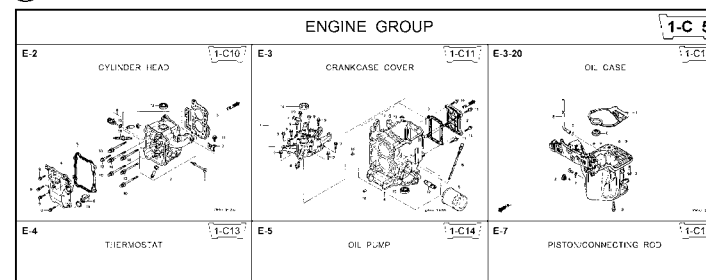
Initial version issue date June 01, 2005  
**Honda Motor Co., Ltd.**

**CONTENTS**

	Page	Address No.	
● Instruction for use of parts catalogue .....	1	B 1	<b>1</b>
● How to refer to the part information .....	2	B 2	
● Part catalogue structure .....	3	B 3	
● When the parts were revised .....	4	B 4	
● Abbreviations used in the parts catalogue .....	4	B 4	
● How to check the part block and serial numbers .....	5	B 5	
● Models, parts catalogue codes and applicable serial numbers .....	6	B 6	
● Features of each type .....	12	B12	
● Fuel hose, general purpose hoses and vinyl hose .....	28	C12	
● Illustrated index .....	29	C13	
● ENGINE GROUP .....	35	E 1	<b>2</b>
● PART NO. INDEX .....	161	M 1	<b>3</b>
● PART NAME INDEX .....	166	N 1	<b>4</b>

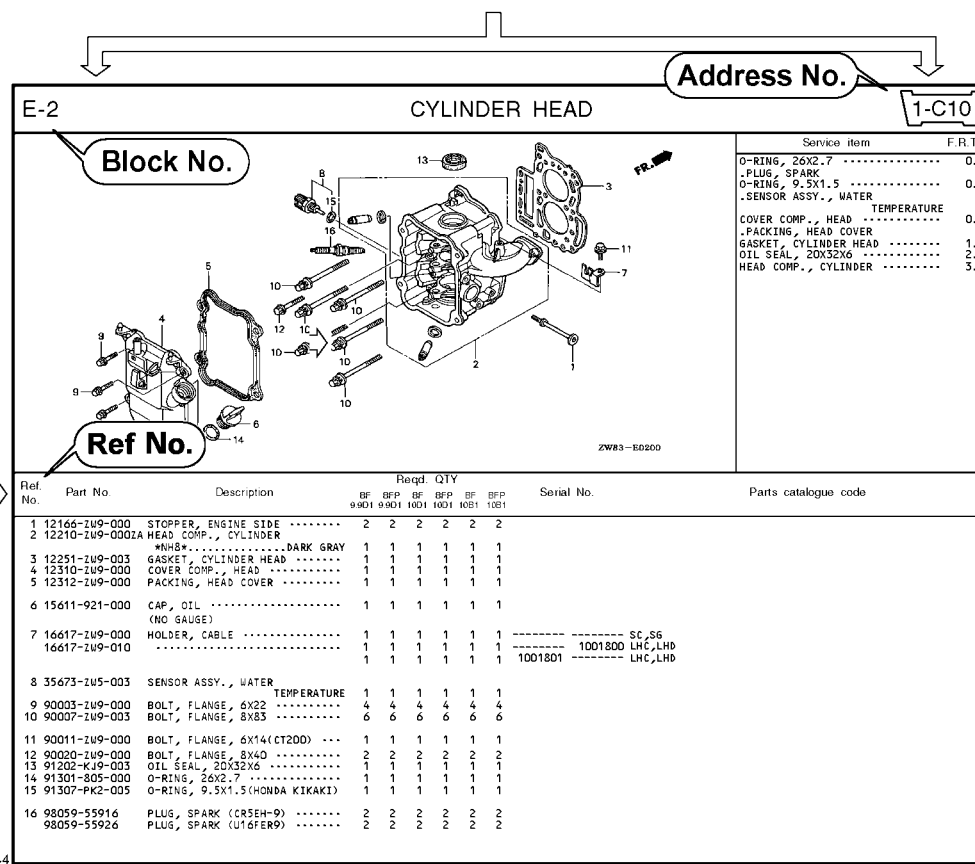
How to refer to the part information

A Reference with "Illustrated index"



B Reference with "Part number index"

PART NO. INDEX					
Part Number	Address	Page	Ref.	Part Number	Address Page
06000				15212-ZW9-000	1-C14 3C
06316-ZW9-000	1-G9	88	1	15220-ZW9-003	1-C14 3C
11000				15332-ZW9-000	1-E8 55
11300-ZW9-405	1-C11	27	1	15332-ZW9-A30	1-E11 5E
11300-ZW9-406	1-C11	27	1	15400-PFB-004	1-C11 27
11340-ZW9-000	1-C11	27	2	15422-ZW9-000	1-C14 3C
11342-ZW9-000	1-C11	27	3	15473-881-000	1-C14 3C
11381-ZW9-003	1-C12	28	1	15474-ZW9-000	1-C14 3C
				15611-921-000	1-C10 2E
				15655-ZW9-000	1-C11 27
				16000	
12000				16010-ZV4-005	1-D4 3E
12000-ZW9-405ZA	1-C11	27	4	16011-ZV4-005	1-D4 3E
12155-ZV4-A00	1-C13	29	1	16013-ZW9-003	1-D4 3E
12166-ZW9-000	1-C10	26	1	16016-ZW9-003	1-D4 3E
12209-GB4-681	1-C16	32	1	16016-ZW9-721	1-D4 3E
12210-ZW9-405ZA	1-C10	26	2	16023-ZW9-003	1-D4 3E
12216-ZE2-500	1-E8	55	1	16024-ZV4-650	1-D4 3E
	1-E11	58	1	16028-ZV4-650	1-D4 3E



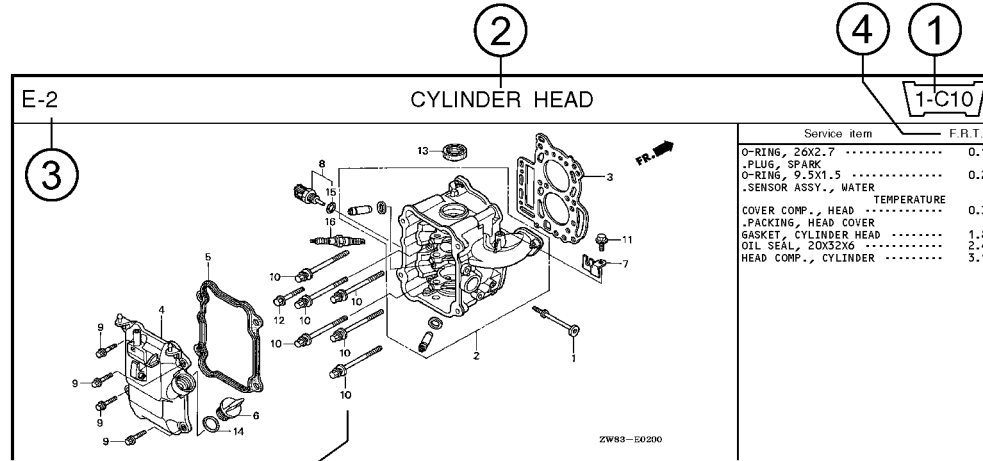
C Reference with "Part name index"

PART NAME INDEX					
Part name	Address	Page	Ref.		
[ A ]					
ABSORBER , FUEL	1-E15	62	5	BOLT ,	
ARMATURE COMP.	1-D11	43	7	BOLT ,	
ARM COMP. , LINK JOINT	1-G6	85	18	BOLT ,	
ARM COMP. , SHIFT LINK	1-G6	85	14	BOLT ,	
ARM COMP. , TILT	1-F15	79	20		
ARM , FUEL PUMP ROCKER	1-C16	32	4		
ARM , REVERSE LOCK	1-F15	79	18		
ARM , SHIFT LINK	1-F11	74	7		
ARM , STOPPER	1-D1	33	12	BOLT ,	
ARM , THROTTLE REMOTE	1-F11	74	6		
ARM , VALVE ROCKER	1-C16	32	3		
[ B ]					
BAG , TOOL , 160MM	1-G5	84	10		
BAND	1-G6	86	37		
BAND B1 , WIRE	1-F6	69	1		
BAND , CORD	1-F3	67	18	BOLT ,	
BAND , TUBE CLIP , 11MM	1-E15	63	20		
BAND , TUBE CLIP , 12.5MM	1-E15	63	19	BOLT ,	

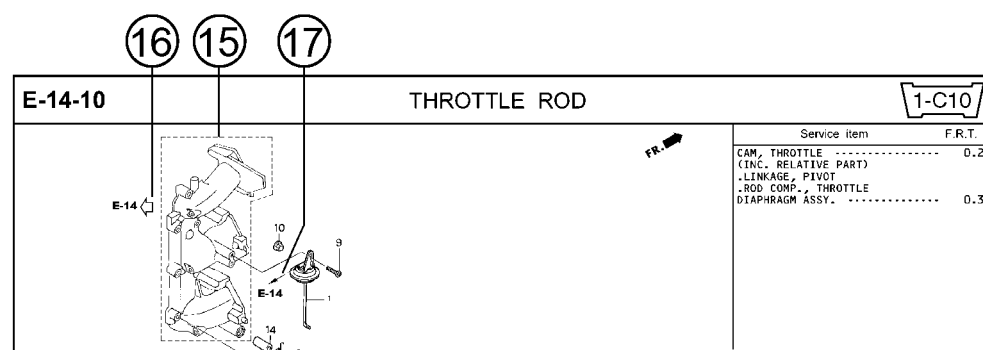
Page No.

2000.09.20 E

**Part catalogue structure**



Ref. No.	Part No.	Description	Reqd. QTY						Serial No.	Parts catalogue code
			BF 9/9D1	BFP 9/9D1	BF 10D1	BFP 10D1	BF 10B1	BFP 10B1		
1	12166-ZW9-000	STOPPER, ENGINE SIDE	2	2	2	2	2	2		
2	12210-ZW9-000ZA	HEAD COMP., CYLINDER *NHS* ..... DARK GRAY	1	1	1	1	1	1		
3	12251-ZW9-003	GASKET, CYLINDER HEAD	1	1	1	1	1	1		
4	12310-ZW9-000	COVER COMP., HEAD	1	1	1	1	1	1		
5	12312-ZW9-000	PACKING, HEAD COVER	1	1	1	1	1	1		
6	15611-921-000	CAP, OIL (NO GAUGE)	1	1	1	1	1	1		
7	16617-ZW9-000	HOLDER, CABLE	1	1	1	1	1	1	SC,SG	
	16617-ZW9-010		1	1	1	1	1	1	1001800 LHC,LHD	



① **Address number**  
 • Address No. is provided (in place of the page No.) to help you refer to the part with the part No. or part name.

② **Block title** ③ **Block number**

④ **Service item/Flat rate time**

⑤ **Reference number**  
 • Title number marked with the parenthesis or parentheses indicates that it continues from the previous page.

⑥ **Part number** ⑦ **Honda color code**

⑧ **Description**

⑨ **Assemblies**  
 • Sections framed with broken lines in the exploded view drawings are available as complete assemblies. (Their individual parts can also be obtained.)

⑩ **Color description**

⑪ **Note**  
 • Notes are shown with the parentheses in the part name column.

⑫ **Required quantity**  
 • Required QTY shown in the parenthesis or parentheses indicates the optional part.  
 • Required QTY marked with "N" Indicates the optional part that should be selected as needed.  
 • Required QTY indicates the number of the part used in the block.

⑬ **Serial number**

⑭ **Type**  
 • When the type column is blank, it indicates that the part is applicable to all types.  
 • As the type of the actual unit may differ from the "parts catalogue, type" please refer to "Models, types and applicable serial numbers" for confirmation.

⑮   
 • Parts enclosed within a dotted line are covered in a different block.

⑯   
 • A hollow arrow indicates the block No. for the parts enclosed within a dotted line .

⑰   
 • A solid arrow indicates the block No. the part in question is connected to.

**When the parts were revised**



Be sure to check the serial number!!



Ref. No.	Part No.	Description	Reqd. QTY						Serial No.
			BF 99D1	BFP 9.9D1	BF 10D1	BFP 10D1	BF 10B1	BFP 10B1	
1	12166-ZW9-000	STOPPER, ENGINE SIDE .....	2	2	2	2	2	2	
2	12210-ZW9-000ZA	HEAD COMP., CYLINDER *NHS* .....	1	1	1	1	1	1	
3	12251-ZW9-003	GASKET, CYLINDER HEAD .....	1	1	1	1	1	1	
4	12310-ZW9-000	COVER COMP., HEAD .....	1	1	1	1	1	1	
5	12312-ZW9-000	PACKING, HEAD COVER .....	1	1	1	1	1	1	
6	15611-921-000	CAP, OIL (NO GAUGE) .....	1	1	1	1	1	1	
7	16617-ZW9-000	HOLDER, CABLE (###) .....	1	1	1	1	1	1	SC, SG LHC, LHD LHC, LHD
	16617-ZW9-010	.....	1	1	1	1	1	1	

The number has been used from the initial model without revision. When shown at the left side, it is applicable to the models of No.1001801 and the subsequent numbers. When shown at the right side, it is applicable to the models up to No.1001800.

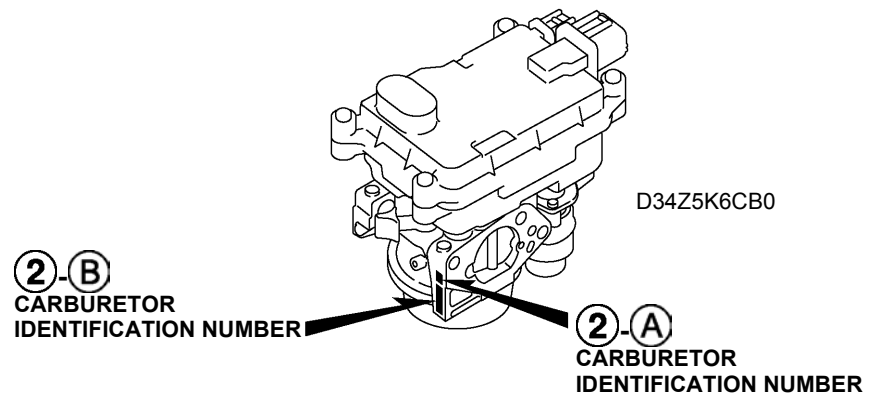
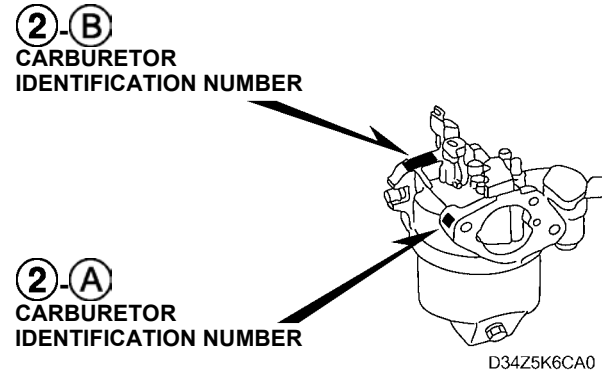
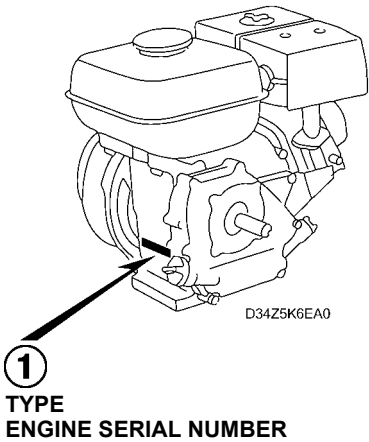
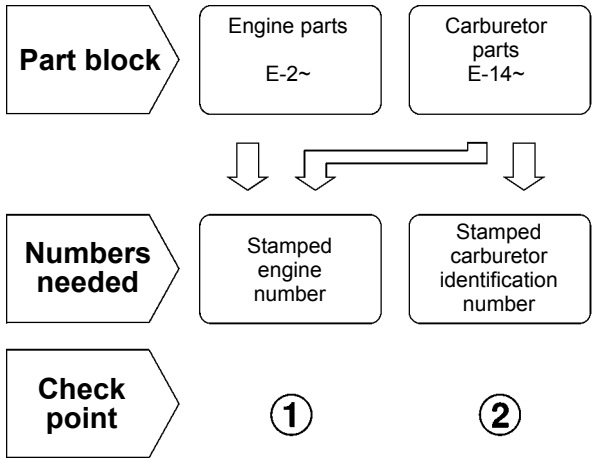
• The parts listed with "###" at the end of the parts name have limited supply period (parts not for sale).

**Abbreviations used in the parts catalogue**

• The following abbreviations are used in the parts name column.

- A ..... Ampere
- A.C. .... Alternating current
- ASSY. .... Assembly
- AT. .... Automatic transmission
- C.D.I. .... Capacitive discharge ignition
- COMP. ... Complete
- D.C. .... Direct current
- EX. .... Exhaust
- G.F.C.I ... Ground fault circuit interruptor
- HEX. .... Hexagonal
- H.S.T. .... Hydrostatic transmission
- FR. ....Front
- IN. ....Inlet
- L (100L) .Link (100 Links)
- L. ....Left
- MM .....Millimeter
- MT. ....Manual Transmission
- P.T.O. ....Power take off
- R. ....Right
- RR. ....Rear
- STD. ....Standard
- T (22T) ...Tooth (22 Teeth)
- V .....Volt
- W .....Watt

How to check the part block and serial numbers





Models, parts catalogue codes and applicable serial numbers

- Models, parts catalogue codes and applicable serial Nos. given in this parts catalogue can be identified as follows.

Model	Type	Parts catalogue type	Applicable engine serial No.	Applicable carburetor identification No.
GX270UT	HA2	HA2	GCAJT-1000001~	BE78B A
	HEA2	HEA2		
	HEA8	HEA8		
	HKS8	HKS8		
	HX26	HX26		
	HX8	HX8		
	HXQ4	HXQ4		
	LXE8	LXE8		
	LXQ4	LXQ4		
	LXU	LXU		
	PA2	PA2		
	PAE2	PAE2		
	PX26	PX26		
	PXE8	PXE8		
	PXED	PXED		
	PXU	PXU		
QA2	QA2			
QA26	QA26			

Model	Type	Parts catalogue type	Applicable engine serial No.	Applicable carburetor identification No.
GX270UT	QAE2	QAE2	GCAJT-1000001~	BE78B A
	QAE6	QAE6		
	QAG2	QAG2		
	QAQ4	QAQ4		
	QAR2	QAR2		
	QAW	QAW		
	QE	QE		BE75K A
	QH26	QH26		BE78B A
	QHB4	QHB4		
	QHQ4	QHQ4		
	QKE4	QKE4		
	QME2	QME2		
	QSC9	QSC9		
	QSE8	QSE8		BE78C A
	QWA4	QWA4		BE78B A
	QWH2	QWH2		BE78C A
	QXB6	QXB6		BE78B A
	QXB7	QXB7		

Model	Type	Parts catalogue type	Applicable engine serial No.	Applicable carburetor identification No.
GX270UT	QXB9	QXB9		BE78B A
	QXC4	QXC4		BE75J A
	QXC6	QXC6		BE78C A
	QXC9	QXC9		BE75A B/C
	QXE4	QXE4	GCAJT-1000001~	BE78B A
	QXE8	QXE8		
	QXQ4	QXQ4		
	QXU	QXU		
	QXUZ	QXUZ		
	RA2	RA2		
	RH26	RH26		
	RHE4	RHE4		
	RHG4	RHG4		
	RHQ4	RHQ4		
	RXQ4	RXQ4		
	RXU	RXU		
	SHQ4	SHQ4		
	SMC4	SMC4		
	SME1	SME1		
	SME6	SME6		

Model	Type	Parts catalogue type	Applicable engine serial No.	Applicable carburetor identification No.
GX270UT	SWA4	SWA4	GCAJT-1000001~	BE78B A
	SWC4	SWC4		
	SWS4	SWS4		
	SXB7	SXB7		
	SXB9	SXB9		
	SXE4	SXE4		
	SXE8	SXE8		
	SXQ4	SXQ4		
	SXU	SXU		
	VA2	VA2		
	VKQ4	VKQ4		
	VKX4	VKX4		
	VMA4	VMA4	GCAJT-1000001~	BE78C A
	VME4	VME4		
	VN17	VN17	GCAJT-1000001~1163869	BE78B A
	VPX4	VPX4		BE21F B/C
	VPX5	VPX5		BE77R B/C
	VPX9	VPX9		BE21F B/C
	VS37	VS37		BE21F B/C
	VS39	VS39		BE77R B/C

1

Model	Type	Parts catalogue type	Applicable engine serial No.	Applicable carburetor identification No.
GX270UT	VSD7	VSD7	GCAJT-1000001~	BE78B A
	VSD9	VSD9		
	VSH7	VSH7	GCAJT-1000001~1163869	
	VWA2	VWA2		
	VX2	VX2	GCAJT-1000001~	
	VXB7	VXB7		
	VXB9	VXB9		
	VXE6	VXE6		
	VXE7	VXE7		
	VXE9	VXE9		
	VXQ4	VXQ4		
	VXU1	VXU1		
	QA4	QA4		
	QXB2	QXB2		
	QXC2	QXC2	BE75J A	
	QXCU	QXCU	BE75A B/C	
	RHE2	RHE2	BE78B A	
	SMC2	SMC2	BE76F A	
SWA2	SWA2	BE78B A		

Model	Type	Parts catalogue type	Applicable engine serial No.	Applicable carburetor identification No.	
GX270UT2	HA2	HA2	GCBGT-1000001~	BE21J A	
	HEA2	HEA2			
	HKS8	HKS8			
	HX26	HX26			
	HX8	HX8			
	HXQ4	HXQ4			
	LXQ4	LXQ4			
	LXU	LXU			
	PA2	PA2			
	PAE2	PAE2			
	PX26	PX26			
	PXE8	PXE8			
	PXED	PXED			
	PXU	PXU			
	PZX8	PZX8			BE90A A
	QA2	QA2			BE21J A
	QA26	QA26			
	QA4	QA4			
	QAE2	QAE2			

Model	Type	Parts catalogue type	Applicable engine serial No.	Applicable carburetor identification No.
GX270UT2	QAG2	QAG2	GCBGT-1000001~	BE21J A
	QAQ4	QAQ4		
	QAR2	QAR2		
	QAW	QAW		
	QE	QE		BE75L A
	QH26	QH26		BE21J A
	QHB4	QHB4		
	QHQ4	QHQ4		
	QKE4	QKE4		
	QME2	QME2		BE75N A
	QSC9	QSC9		BE21J A
	QSE8	QSE8		BE75N A
	QWA4	QWA4		BE21J A
	QWH2	QWH2		
	QXB6	QXB6		
	QXB7	QXB7		BE75N A
	QXB9	QXB9		
	QXC4	QXC4		
QXC6	QXC6	BE75N A		
QXC9	QXC9			

Model	Type	Parts catalogue type	Applicable engine serial No.	Applicable carburetor identification No.
GX270UT2	QXCU	QXCU	GCBGT-1000001~	BE75N A
	QXE4	QXE4		BE21J A
	QXE8	QXE8		
	QXEM	QXEM		
	QXQ4	QXQ4		
	QXU	QXU		BE90A A
	QXUZ	QXUZ		
	QZA2	QZA2		
	QZAV	QZAV		
	QZK4	QZK4		BE21J A
	QZM2	QZM2		
	QZMH	QZMH		
	QZX4	QZX4		
	QZXR	QZXR		BE21J A
	RA2	RA2		
	RH26	RH26		
	RHE4	RHE4		
	RHE5	RHE5		
	RHQ4	RHQ4		
	RHQ5	RHQ5		

Model	Type	Parts catalogue type	Applicable engine serial No.	Applicable carburetor identification No.	
GX270UT2	RXQ4	RXQ4	GCBGT-1000001~	BE21J A	
	RXU	RXU			
	SAX4	SAX4			
	SHQ4	SHQ4			
	SHQ5	SHQ5			
	SMC4	SMC4			BE76H A
	SME1	SME1			BE21J A
	SME6	SME6			BE75L A
	SMX2	SMX2			BE21J A
	SWA4	SWA4			
	SWC4	SWC4			
	SWS4	SWS4			
	SXB7	SXB7			
	SXB9	SXB9			
	SXE4	SXE4			
	SXQ4	SXQ4			
	SXU	SXU			
	VA2	VA2			
	VKQ4	VKQ4			
	VMA4	VMA4		BE75N A	

Model	Type	Parts catalogue type	Applicable engine serial No.	Applicable carburetor identification No.
GX270UT2	VME4	VME4	GCBGT-1000001~	BE75N A
	VSD7	VSD7		BE21J A
	VX2	VX2		
	VXB7	VXB7		
	VXE6	VXE6		
	VXE7	VXE7		
	VXE9	VXE9		
	VXQ4	VXQ4		
	VXU1	VXU1		
	VZX7	VZX7		
	WKT	WKT		
	WMT8	WMT8		BE21J A
				BE76H A
	GX270RT	RSC2		RSC2
VAG2		VAG2		
VDE2		VDE2		
VKB2		VKB2		
VKE4		VKE4	BE77W A	
VKX4		VKX4	BE21F B/C	
VN17		VN17	BE78B A	
VNT2		VNT2		

Model	Type	Parts catalogue type	Applicable engine serial No.	Applicable carburetor identification No.
GX270RT	VPE4	VPE4	GCAJT-1163870~	BE77V A
	VPE5	VPE5		BE77U A
	VPX4	VPX4		BE21F B/C
	VPX5	VPX5		BE77R B/C
	VPX9	VPX9		BE21F B/C
	VS37	VS37		BE21F B/C
	VS39	VS39		BE77R B/C
	VSH7	VSH7		BE78B A
	VW12	VW12		BE78B A
	VWA2	VWA2		BE78B A
	VWN2	VWN2		BE78B A
	VWT4	VWT4		BE75K A
	VPE2	VPE2		BE77V A

Model	Type	Parts catalogue type	Applicable engine serial No.	Applicable carburetor identification No.
GX270RT2	RDG4	RDG4	GCBGT-1000001~	BE21J A
	RHG4	RHG4		
	RSC2	RSC2		
	VDE2	VDE2		
	VKB2	VKB2		BE98C A
	VKE4	VKE4		BE98B A
	VKX4	VKX4		BE98C A
	VMT2	VMT2		BE21J A
	VN17	VN17		BE21J A
	VNT2	VNT2		BE21J A
	VPE4	VPE4		BE98B A
	VPE5	VPE5		
	VPX4	VPX4		
	VPX5	VPX5		
	VS37	VS37		BE75L A
	VWT4	VWT4		

\* Of carburetor identification numbers, only the portions underlined in the example below are used for registration.

BE 78B A KC ナ  
 (A) (B)

1

Features of each type

• See the following table for the features of each type. (Items in brackets are optional)

Specifications		Model	GX270UT													
		Type	HA2	HEA2	HEA8	HKS8	HX26	HX8	HXQ4	LXE8	LXQ4	LXU	PA2	PAE2	PX26	PXE8
Crankshaft	20mm Ø Spline		●	●	●	●	●	●	●	●	●					
	25mm Ø Straight															
	25.4mm Ø Straight															
	1" Thread											●	●	●	●	
	M20 Thread															
	1/5" Tapered															
	3/16" Tapered															
Muffler	Standard		●	●	●							●	●			
	Silent				●	●	●	●	●	●	●			●	●	
	Generator															
Starter motor			●	●	●				●				●		●	
Control box			●	●	●				●				●		●	
Reduction	1/2 Reduction								●	●	●					
	1/2 Reduction (With clutch)															
	1/6 Reduction		●	●	●	●	●	●	●							
Muffler cover									(●)		(●)					

Specifications		Model	GX270UT													
		Type	PXED	PXU	QA2	QA26	QAE2	QAE6	QAG2	QAQ4	QAR2	QAW	QE	QH26	QHB4	QHQ4
Crankshaft	20mm Ø Spline															
	25mm Ø Straight															
	25.4mm Ø Straight			●	●	●	●	●	●	●	●	●	●	●	●	●
	1" Thread	●	●													
	M20 Thread															
	1/5" Tapered															
	3/16" Tapered															
Muffler	Standard			●	●	●	●	●	●	●	●		●	●	●	
	Silent	●	●									●				
	Generator															
Starter motor			●				●	●								
Control box			●				●	●								
Reduction	1/2 Reduction															
	1/2 Reduction (With clutch)															
	1/6 Reduction															
Muffler cover										(●)			(●)		(●)	(●)

**1**



Specifications		Model	GX270UT												
		Type	QKE4	QME2	QSC9	QSE8	QWA4	QWH2	QXB6	QXB7	QXB9	QXC4	QXC6	QXC9	QXE4
Crankshaft	20mm Ø Spline														
	25mm Ø Straight														
	25.4mm Ø Straight	●	●	●	●	●	●	●	●	●	●	●	●	●	●
	1" Thread														
	M20 Thread														
	1/5" Tapered														
	3/16" Tapered														
Muffler	Standard														
	Silent	●	●	●	●	●	●	●	●	●	●	●	●	●	●
	Generator														
Starter motor		●	●	●	●			●						●	●
Control box			●	●	●			●						●	●
Reduction	1/2 Reduction														
	1/2 Reduction (With clutch)														
	1/6 Reduction														
Muffler cover		(●)	(●)			(●)			(●)	(●)	(●)			(●)	

Specifications		Model	GX270UT													
		Type	QXQ4	QXU	QXUZ	RA2	RH26	RHE4	RHG4	RHQ4	RXQ4	RXU	SHQ4	SMC4	SME1	SME6
Crankshaft	20mm Ø Spline															
	25mm Ø Straight				●	●	●	●	●	●	●	●	●	●	●	●
	25.4mm Ø Straight	●	●	●												
	1" Thread															
	M20 Thread															
	1/5" Tapered															
	3/16" Tapered															
Muffler	Standard				●	●	●		●			●				
	Silent	●	●	●						●	●		●	●	●	
	Generator															
Starter motor								●							●	
Control box								●							●	
Reduction	1/2 Reduction															
	1/2 Reduction (With clutch)				●	●	●	●	●	●	●					
	1/6 Reduction															
Muffler cover		(●)						(●)	(●)	(●)	(●)		(●)	(●)	(●)	(●)

Specifications		Model	GX270UT												
		Type	SWA4	SWC4	SWS4	SXB7	SXB9	SXE4	SXE8	SXQ4	SXU	VA2	VKQ4	VKX4	VMA4
Crankshaft	20mm Ø Spline														
	25mm Ø Straight	●	●	●	●	●	●	●	●	●					
	25.4mm Ø Straight														
	1" Thread														
	M20 Thread														
	1/5" Tapered											●		●	●
	3/16" Tapered											●	●		
Muffler	Standard		●	●							●	●		●	●
	Silent	●			●	●	●	●	●	●					
	Generator														
Starter motor							●	●							●
Control box							●	●							
Reduction	1/2 Reduction														
	1/2 Reduction (With clutch)														
	1/6 Reduction														
Muffler cover		(●)	(●)	(●)	(●)	(●)	(●)		(●)			(●)		(●)	(●)

Specifications		Model	GX270UT													
		Type	VN17	VPX4	VPX5	VPX9	VS37	VS39	VSD7	VSD9	VSH7	VWA2	VX2	VXB7	VXB9	VXE6
Crankshaft	20mm Ø Spline															
	25mm Ø Straight															
	25.4mm Ø Straight															
	1" Thread															
	M20 Thread															
	1/5" Tapered															
	3/16" Tapered	●	●	●	●	●	●	●	●	●	●	●	●	●	●	●
Muffler	Standard										●					
	Silent	●						●	●	●		●	●	●	●	
	Generator		●			●	●									
Starter motor																●
Control box																●
Reduction	1/2 Reduction															
	1/2 Reduction (With clutch)															
	1/6 Reduction															
Muffler cover		(●)	(●)			(●)		(●)	(●)	(●)			(●)	(●)		



1

Specifications		Model	GX270UT										GX270UT2		
		Type	VXE7	VXE9	VXQ4	VXU1	QA4	QXB2	QXC2	QXCU	RHE2	SMC2	SWA2	HA2	HEA2
Crankshaft	20mm Ø Spline												●	●	●
	25mm Ø Straight									●	●	●			
	25.4mm Ø Straight					●	●	●	●						
	1" Thread														
	M20 Thread														
	1/5" Tapered														
	3/16" Tapered	●	●	●	●										
Muffler	Standard					●				●			●	●	●
	Silent	●	●	●	●		●	●	●		●	●			
	Generator														
Starter motor		●	●							●				●	●
Control box		●	●							●				●	●
Reduction	1/2 Reduction														
	1/2 Reduction (With clutch)									●					
	1/6 Reduction												●	●	●
Muffler cover		(●)	(●)	(●)			(●)	(●)		(●)	(●)	(●)			

Specifications		Model	GX270UT2													
		Type	HX26	HX8	HXQ4	LXQ4	LXU	PA2	PAE2	PX26	PXE8	PXED	PXU	PZX8	QA2	QA26
Crankshaft	20mm Ø Spline		●	●	●	●	●									
	25mm Ø Straight															
	25.4mm Ø Straight													●	●	
	1" Thread						●	●	●	●	●	●	●			
	M20 Thread															
	1/5" Tapered															
	3/16" Tapered															
Muffler	Standard		●	●	●	●	●	●	●	●	●	●	●	●	●	
	Silent															
	Generator															
Starter motor								●		●	●		●			
Control box								●		●	●		●			
Reduction	1/2 Reduction				●	●										
	1/2 Reduction (With clutch)															
	1/6 Reduction		●	●	●											
Muffler cover				(●)	(●)											

1

1

Specifications		Model	GX270UT2													
		Type	QA4	QAE2	QAG2	QAQ4	QAR2	QAW	QE	QH26	QHB4	QH44	QKE4	QME2	QSC9	QSE8
Crankshaft	20mm Ø Spline															
	25mm Ø Straight															
	25.4mm Ø Straight	●	●	●	●	●	●	●	●	●	●	●	●	●	●	●
	1" Thread															
	M20 Thread															
	1/5" Tapered															
	3/16" Tapered															
Muffler	Standard	●	●	●	●	●	●	●	●	●	●	●	●	●	●	●
	Silent															
	Generator															
Starter motor			●										●	●	●	●
Control box			●											●	●	●
Reduction	1/2 Reduction															
	1/2 Reduction (With clutch)															
	1/6 Reduction															
Muffler cover									(●)				(●)			

Specifications		Model	GX270UT2													
		Type	QWA4	QWH2	QXB6	QXB7	QXB9	QXC4	QXC6	QXC9	QXCU	QXE4	QXE8	QXEM	QXQ4	QXU
Crankshaft	20mm Ø Spline															
	25mm Ø Straight															
	25.4mm Ø Straight	●	●	●	●	●	●	●	●	●	●	●	●	●	●	●
	1" Thread															
	M20 Thread															
	1/5" Tapered															
	3/16" Tapered															
Muffler	Standard	●	●	●			●	●	●	●	●	●	●	●	●	●
	Silent				●	●										
	Generator															
Starter motor				●							●	●	●			
Control box				●							●	●	●			
Reduction	1/2 Reduction															
	1/2 Reduction (With clutch)															
	1/6 Reduction															
Muffler cover		(●)					(●)	(●)								



Specifications		Model	GX270UT2													
		Type	QXUZ	QZA2	QZAV	QZK4	QZM2	QZMH	QZX4	QZXR	RA2	RH26	RHE4	RHE5	RHQ4	RHQ5
Crankshaft	20mm Ø Spline															
	25mm Ø Straight									●	●	●	●	●	●	
	25.4mm Ø Straight	●	●	●	●	●	●	●	●							
	1" Thread															
	M20 Thread															
	1/5" Tapered															
	3/16" Tapered															
Muffler	Standard	●	●	●		●	●	●	●	●	●	●	●	●	●	
	Silent															
	Generator															
Starter motor			●	●	●	●	●	●	●			●	●			
Control box			●	●				●	●			●	●			
Reduction	1/2 Reduction															
	1/2 Reduction (With clutch)									●	●	●	●	●	●	
	1/6 Reduction															
Muffler cover					(●)	(●)	(●)	(●)	(●)				(●)		(●)	

Specifications		Model	GX270UT2													
		Type	RXQ4	RXU	SAX4	SHQ4	SHQ5	SMC4	SME1	SME6	SMX2	SWA4	SWC4	SWS4	SXB7	SXB9
Crankshaft	20mm Ø Spline															
	25mm Ø Straight	●	●	●	●	●	●	●	●	●	●	●	●	●	●	●
	25.4mm Ø Straight															
	1" Thread															
	M20 Thread															
	1/5" Tapered															
	3/16" Tapered															
Muffler	Standard	●	●		●	●	●	●	●	●	●	●	●			
	Silent			●										●	●	
	Generator															
Starter motor								●								
Control box								●								
Reduction	1/2 Reduction															
	1/2 Reduction (With clutch)	●	●													
	1/6 Reduction															
Muffler cover		(●)		(●)		(●)		(●)	(●)		(●)		(●)	(●)	(●)	

1

Specifications		Model	GX270UT2													
		Type	SXE4	SXQ4	SXU	VA2	VKQ4	VMA4	VME4	VSD7	VX2	VXB7	VXE6	VXE7	VXE9	VXQ4
Crankshaft	20mm Ø Spline															
	25mm Ø Straight	●	●	●												
	25.4mm Ø Straight															
	1" Thread															
	M20 Thread															
	1/5" Tapered					●	●	●								
	3/16" Tapered				●					●	●	●	●	●	●	●
Muffler	Standard	●	●	●	●	●	●	●		●		●			●	
	Silent								●		●		●	●		
	Generator															
Starter motor		●						●				●	●	●		
Control box		●										●	●	●		
Reduction	1/2 Reduction															
	1/2 Reduction (With clutch)															
	1/6 Reduction															
Muffler cover		(●)					(●)	(●)						(●)	(●)	

Specifications		Model	GX270UT2				GX270RT									
		Type	VXU1	VZX7	WKT	WMT8	RSC2	VAG2	VDE2	VKB2	VKE4	VKX4	VN17	VNT2	VPE4	VPE5
Crankshaft	20mm Ø Spline															
	25mm Ø Straight					●										
	25.4mm Ø Straight															
	1" Thread															
	M20 Thread			●	●											
	1/5" Tapered															
	3/16" Tapered	●	●				●	●	●	●	●	●	●	●	●	●
Muffler	Standard	●		●	●		●	●								
	Silent		●			●			●			●	●			
	Generator															
Starter motor			●					●	●	●				●	●	
Control box			●					●	●							
Reduction	1/2 Reduction															
	1/2 Reduction (With clutch)					●										
	1/6 Reduction															
Muffler cover			(●)									(●)		(●)		

1

Specifications		Model	GX270RT										GX270RT2			
		Type	VPX4	VPX5	VPX9	VS37	VS39	VSH7	VW12	VWA2	VWN2	VWT4	VPE2	RDG4	RHG4	RSC2
Crankshaft	20mm Ø Spline															
	25mm Ø Straight												●	●	●	
	25.4mm Ø Straight															
	1" Thread															
	M20 Thread															
	1/5" Tapered															
	3/16" Tapered	●	●	●	●	●	●	●	●	●	●	●	●			
Muffler	Standard							●	●	●						●
	Silent							●								
	Generator	●			●	●										
Starter motor											●	●				
Control box																
Reduction	1/2 Reduction															
	1/2 Reduction (With clutch)												●	●	●	
	1/6 Reduction															
Muffler cover		(●)			(●)		(●)				(●)	(●)	(●)	(●)		

Specifications		Model	GX270RT2												
		Type	VDE2	VKB2	VKE4	VKX4	VMT2	VN17	VNT2	VPE4	VPE5	VPX4	VPX5	VS37	VWT4
Crankshaft	20mm Ø Spline														
	25mm Ø Straight														
	25.4mm Ø Straight														
	1" Thread														
	M20 Thread														
	1/5" Tapered														
	3/16" Tapered	●	●	●	●	●	●	●	●	●	●	●	●	●	●
Muffler	Standard	●	●					●							
	Silent						●								
	Generator														
Starter motor		●	●	●		●			●	●					●
Control box		●	●												
Reduction	1/2 Reduction														
	1/2 Reduction (With clutch)														
	1/6 Reduction														
Muffler cover						(●)	(●)		(●)		(●)		(●)	(●)	

1

## Fuel hose, general purpose hoses and vinyl hose

- The standard part fuel hose, general purpose hose and vinyl hose may be substituted by the coiled bulk part.
- When ordering the standard part fuel hose, general purpose hose and vinyl hose use the bulk part number written in the parts catalog in brackets ( ) underneath the part name.
- When exchanging the hose, cut and use at the specified length as mentioned in the part name.  
(For the method of cutting the bulk part, and method of filling out orders etc., please refer to the instructions issued with the bulk part.)

### Bulk part number of fuel hose, general purpose hose and vinyl hose.

Example: 9 5 0 0 1 - 7 5 0 0 1 - 5 0 M

**Bulk part number:**  
Refers to the bulk part.

**Marking code (fuel hose and general purpose hose)**

**Change code (Vinyl hose)**

Indicates number mark or change sequence, however, the code for the bulk part must be strictly 0 (zero).

**Types of code:**

- |             |  |                |  |              |   |
|-------------|--|----------------|--|--------------|---|
| • Fuel hose | 2: Red outside braid<br>(3 mm inside dia. only)        | • General hose | 1: Ash gray<br>2: Ash gray<br>3: Black<br>5: Black | • Vinyl hose | 1: Clear<br>2: Black<br>3: Light red<br>6: Light red<br>7: Pale black |
|             | 5: Black inside braid                                  |                |  |              |   |
|             | 3: Red (3 mm inside dia. only)                         |                |  |              |   |
|             | 4: Ash gray with red stripe<br>(3 mm inside dia. only) |                |  |              |   |
|             | 6: Black   |                |  |              |   |

**Lengths:**

- 001: 1 m (standard)  
003: 3 m  
008: 8 m } Application or specification of some parts is not settled.

**I.D code: (fuel hose and general purpose hose)**

- |            |                    |                    |                             |                             |
|------------|--------------------|--------------------|-----------------------------|-----------------------------|
| 30: 3.0 mm | 50: 5.0 mm         | 70: 7.0 mm         | 11: 11 mm                   | 12: 12 (outside dia. 17) mm |
| 35: 3.5 mm | 55: 5.3 mm, 5.5 mm | 75: 7.3 mm, 7.5 mm | 91: 12 (outside dia. 15) mm | 14: 14 mm                   |
| 45: 4.5 mm | 65: 6.5 mm         | 80: 8.0 mm         | 92: 12 (outside dia. 16) mm | 17: 17 mm                   |

**ID./OD. code: (vinyl hose)**

- |                         |                          |                           |                           |                           |
|-------------------------|--------------------------|---------------------------|---------------------------|---------------------------|
| 01: ID. 2.9, OD. 6.8 mm | 12: ID. 5.0, OD. 7.0 mm  | 21: ID. 8.0, OD. 9.0 mm   | 37: ID. 11.0, OD. 15.0 mm | 50: ID. 16.0, OD. 19.0 mm |
| 03: ID. 3.0, OD. 6.0 mm | 10: ID. 5.0, OD. 8.0 mm  | 23: ID. 8.0, OD. 12.0 mm  | 38: ID. 12.0, OD. 13.0 mm | 55: ID. 17.5, OD. 20.5 mm |
| 05: ID. 3.5, OD. 6.5 mm | 11: ID. 5.0, OD. 9.0 mm  | 25: ID. 9.0, OD. 11.0 mm  | 39: ID. 12.0, OD. 14.0 mm | 60: ID. 22.0, OD. 27.0 mm |
| 07: ID. 4.0, OD. 7.0 mm | 14: ID. 6.0, OD. 9.0 mm  | 27: ID. 9.0, OD. 13.0 mm  | 40: ID. 12.0, OD. 16.0 mm |                           |
| 08: ID. 4.5, OD. 6.5 mm | 17: ID. 7.0, OD. 9.0 mm  | 33: ID. 10.0, OD. 14.0 mm | 43: ID. 13.0, OD. 15.0 mm |                           |
| 09: ID. 4.5, OD. 8.0 mm | 19: ID. 7.0, OD. 11.0 mm | 36: ID. 11.0, OD. 13.0 mm | 45: ID. 14.0, OD. 18.0 mm |                           |

**Hose type:**

- 1: Fuel hose  
3: Vinyl hose  
5: General hose

⊙ **CAUTION: It is DANGEROUS to confuse the fuel hose with the general purpose hose or vinyl hose.**

Never use a general purpose hose or vinyl hose in place of a fuel hose or vice versa. Always use the correct bulk part in the parts catalogue, according to the service manual or the instructions issued with the bulk part.

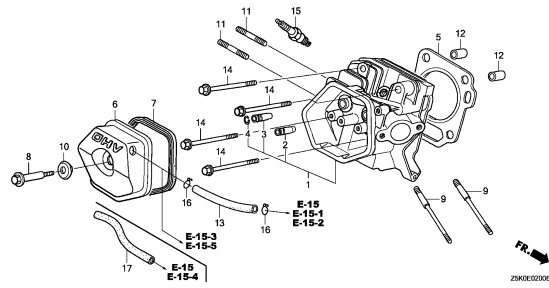
# ENGINE GROUP

**C13**

**E-2**

CYLINDER HEAD

**E 1**

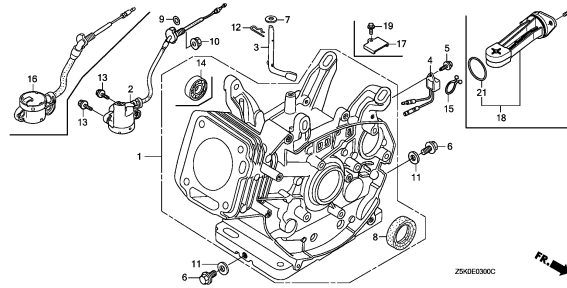


ZSK0E0200C

**E-3**

CYLINDER BARREL

**E 5**

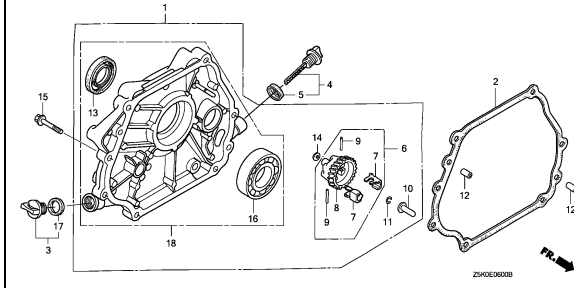


ZSK0E0300C

**E-6**

CRANKCASE COVER(1)

**E10**

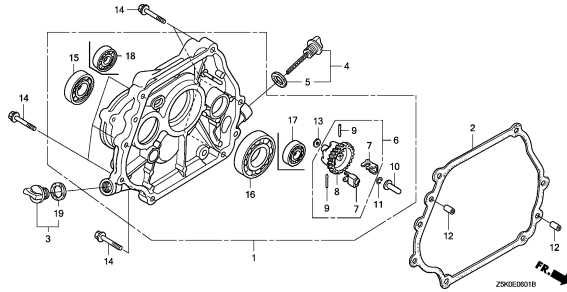


ZSK0E0900B

**E-6-1**

CRANKCASE COVER(2)

**E14**

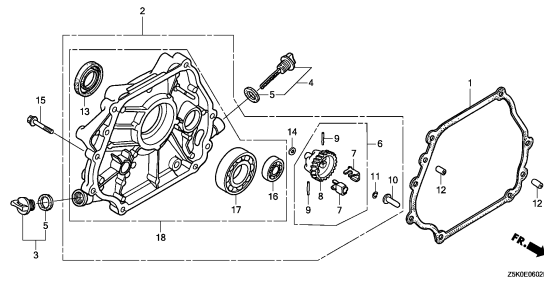


ZSK0E0001B

**E-6-2**

CRANKCASE COVER(3)

**E16**

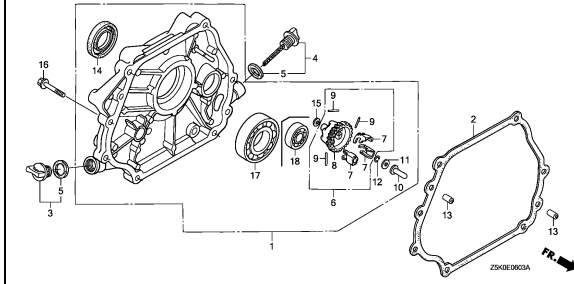


ZSK0E0602B

**E-6-3**

CRANKCASE COVER(4)

**F 2**

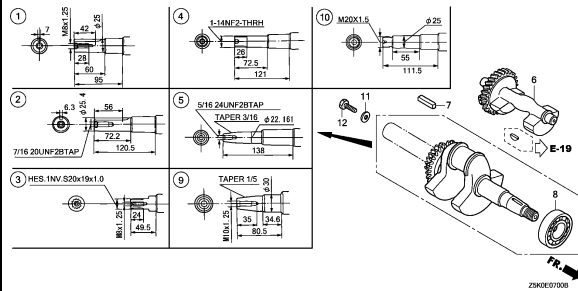


ZSK0E0803A

**E-7**

CRANKSHAFT

**F 4**

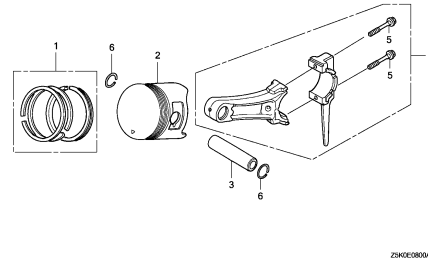


ZSK0E0700B

**E-8**

PISTON

**F 6**

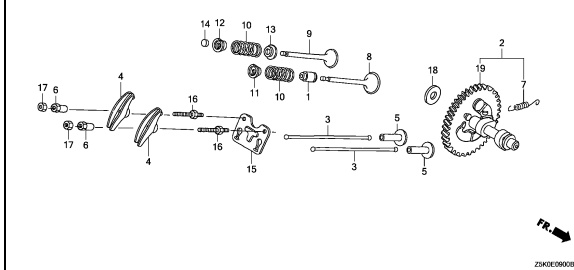


ZSK0E0804A

**E-9**

CAMSHAFT

**F10**



ZSK0E0900B

**2**



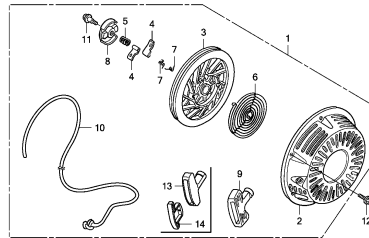
# ENGINE GROUP

**C14**

**E-11**

RECOIL STARTER(1)

**F13**



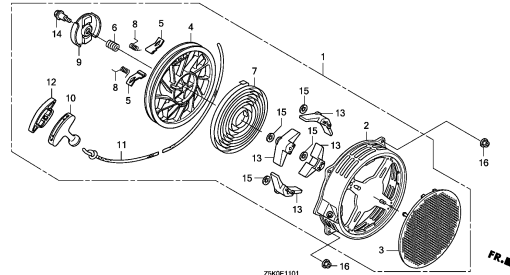
ZSK0E1100A



**E-11-1**

RECOIL STARTER(2)

**G 2**



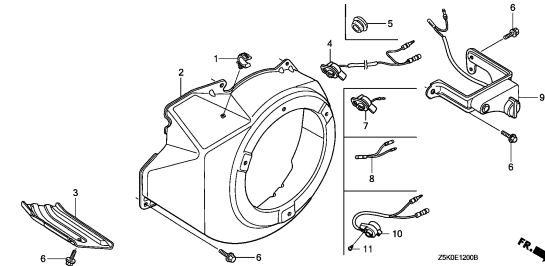
ZSK0E1101



**E-12**

FAN COVER(1)

**G 4**



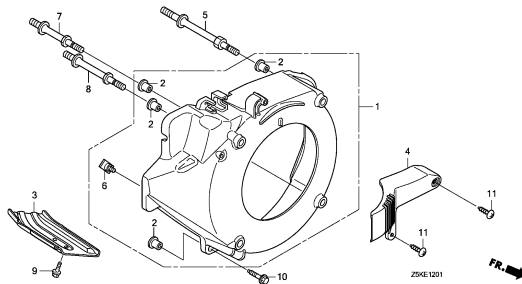
ZSK0E1200B



**E-12-1**

FAN COVER(2)

**G 7**



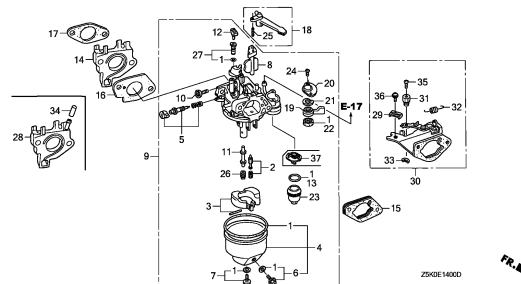
ZSK0E1201



**E-14**

CARBURETOR(1)

**G 8**



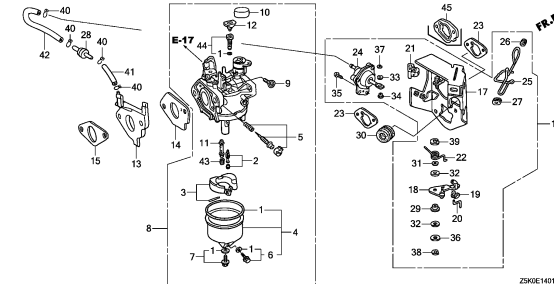
ZSK0E1400D



**E-14-1**

CARBURETOR(2)

**H 2**



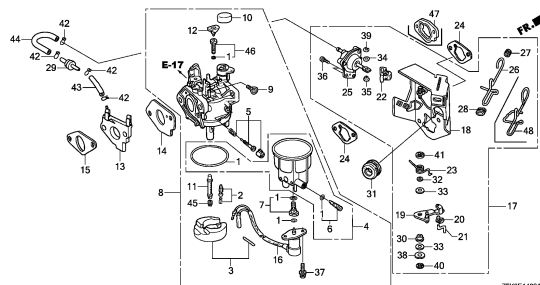
ZSK0E1401B



**E-14-2**

CARBURETOR(3)

**H 4**



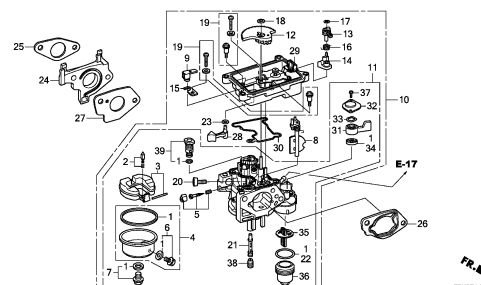
ZSK0E1402A



**E-14-3**

CARBURETOR(4)

**H 6**



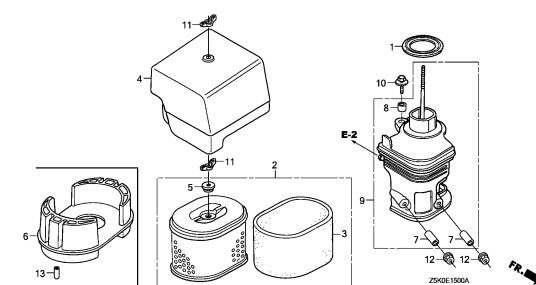
ZSK0E1403A



**E-15**

AIR CLEANER(1)

**H 8**



ZSK0E1500A



**2**

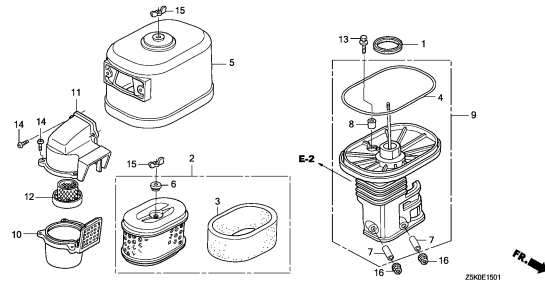
# ENGINE GROUP

C15

E-15-1

AIR CLEANER(2)

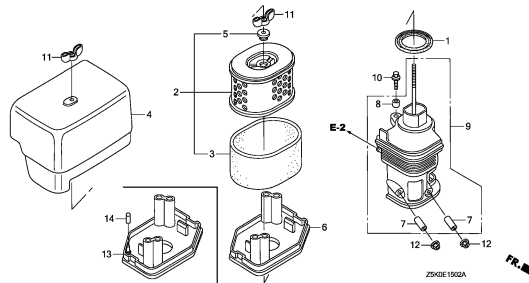
H10



E-15-2

AIR CLEANER(3)

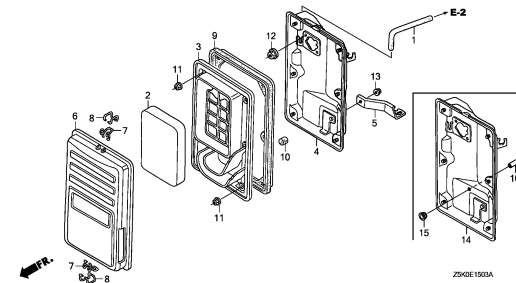
H11



E-15-3

AIR CLEANER(4)

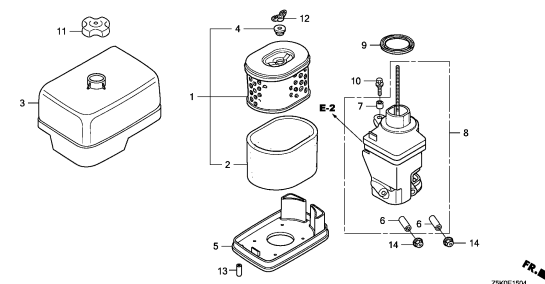
H12



E-15-4

AIR CLEANER(5)

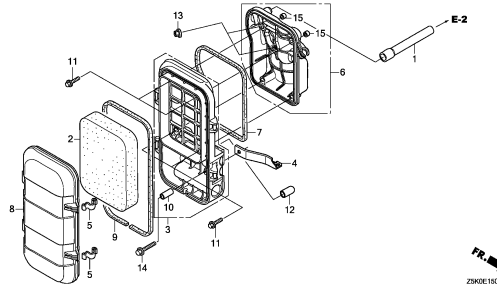
H13



E-15-5

AIR CLEANER(6)

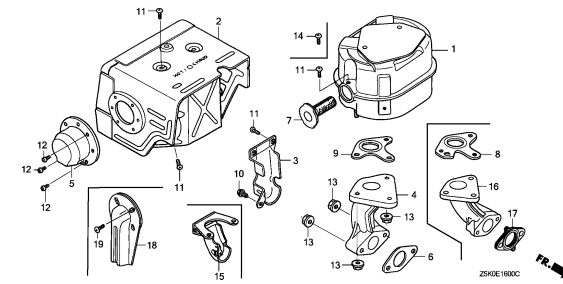
H16



E-16

MUFFLER(1)

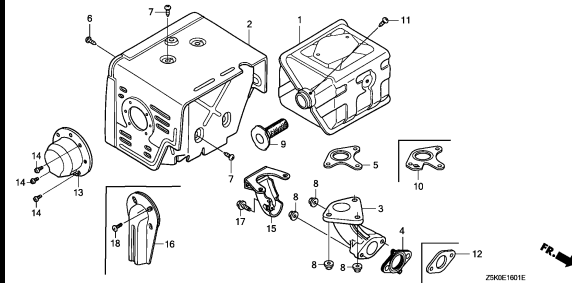
I 1



E-16-1

MUFFLER(2)

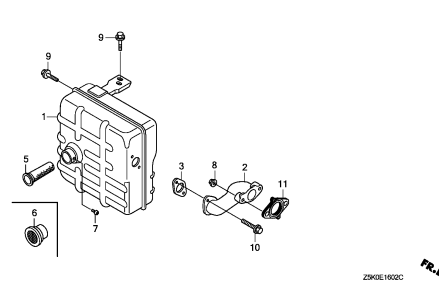
I 4



E-16-2

MUFFLER(3)

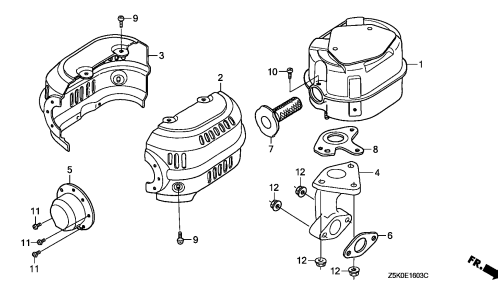
I 6



E-16-3

MUFFLER(4)

I 7



2

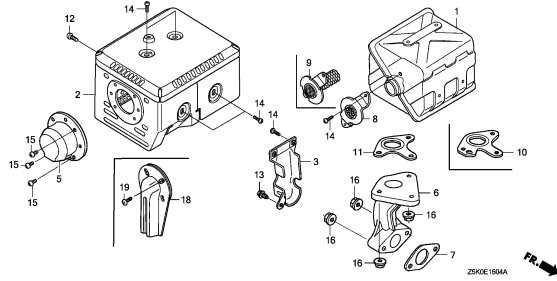
# ENGINE GROUP

**C16**

**E-16-4**

MUFFLER(5)

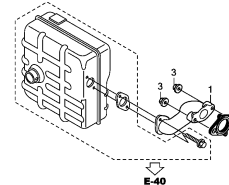
I 8



**E-16-10**

EXHAUST PIPE

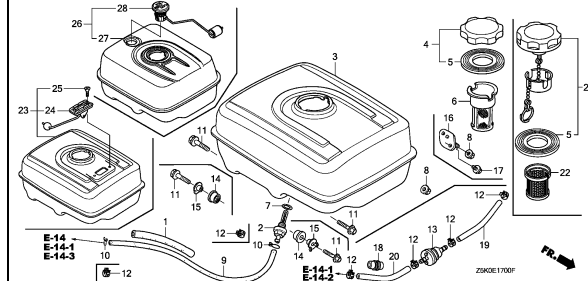
I12



**E-17**

FUEL TANK

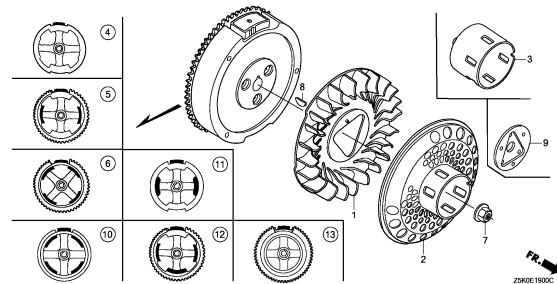
I13



**E-19**

FLYWHEEL

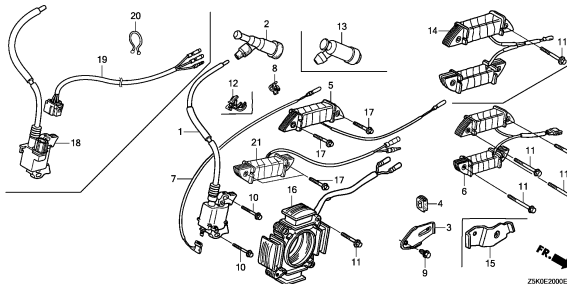
J 2



**E-20**

IGNITION COIL(1)

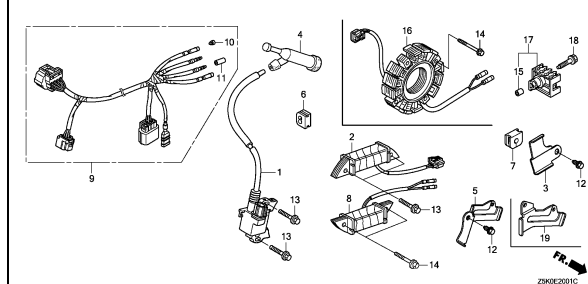
J 4



**E-20-1**

IGNITION COIL(2)

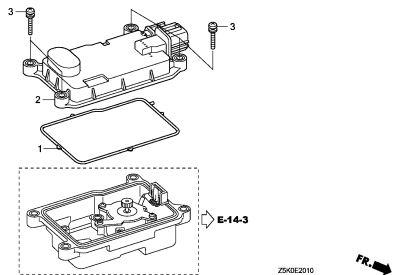
J 8



**E-20-10**

ELECTRONIC CONTROL UNIT

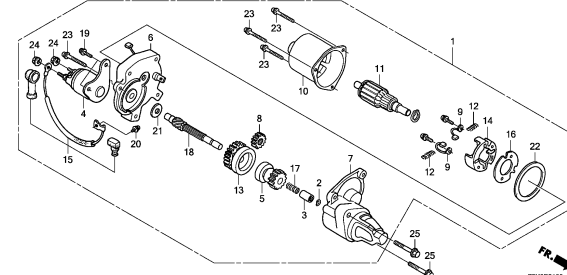
J10



**E-21**

STARTER MOTOR(1)

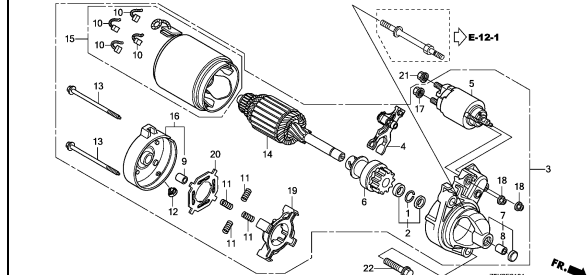
J11



**E-21-1**

STARTER MOTOR(2)

J14



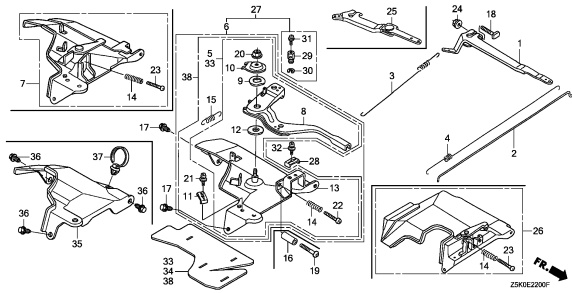
# ENGINE GROUP

**D 1**

**E-22**

**CONTROL**

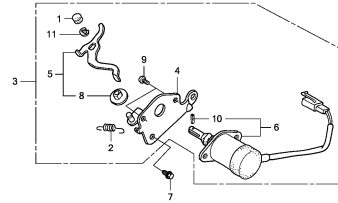
**J15**



**E-22-10**

**AUTO THROTTLE**

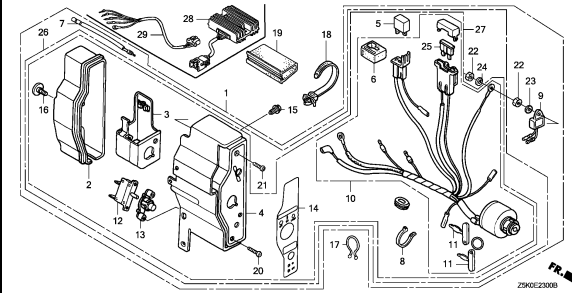
**K 6**



**E-23**

**CONTROL BOX(1)**

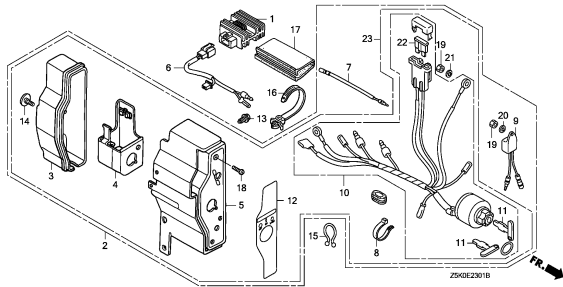
**K 7**



**E-23-1**

**CONTROL BOX(2)**

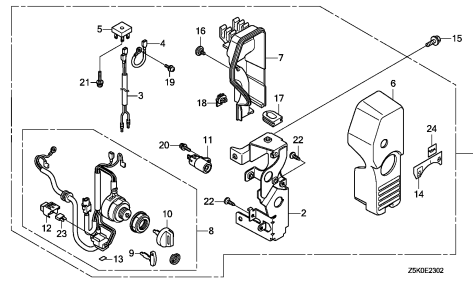
**K10**



**E-23-2**

**CONTROL BOX(3)**

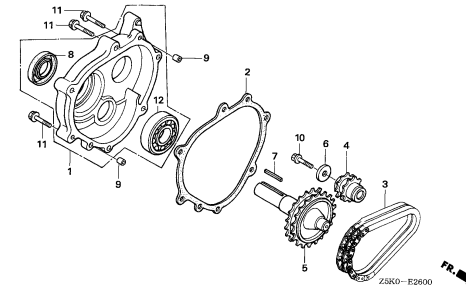
**K12**



**E-26**

**REDUCTION(1/2)**

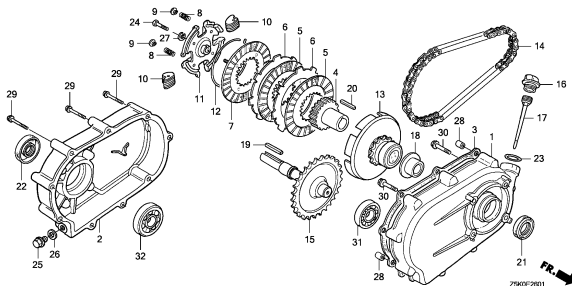
**K13**



**E-26-1**

**REDUCTION(1/2)(CLUTCH)**

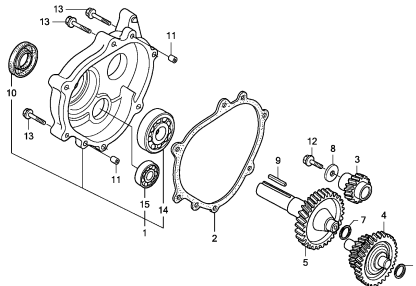
**K14**



**E-26-2**

**REDUCTION(1/6)**

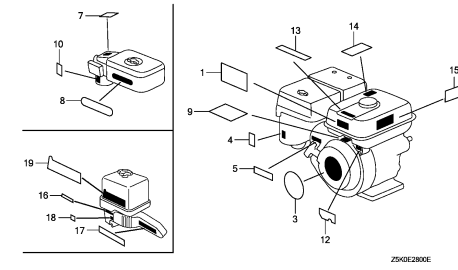
**K16**



**E-28**

**LABEL**

**L 1**



**2**

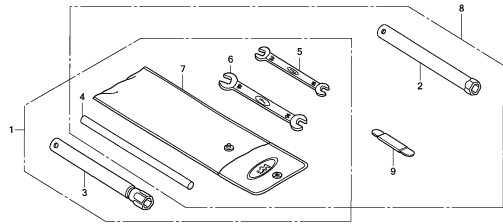
# ENGINE GROUP

**D 2**

**E-29**

TOOL

**L 4**

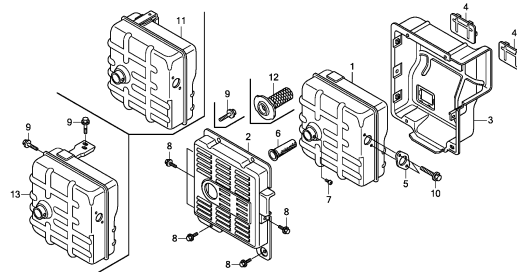


ZSK0E290A

**E-40**

OTHER PARTS(MUFFLER)(1)

**L 5**

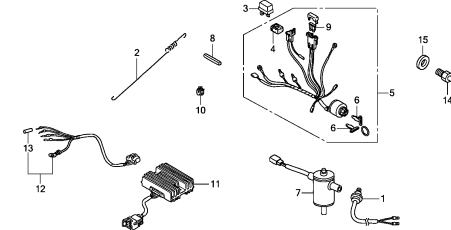


ZSK0E400C

**E-40-1**

OTHER PARTS(COMBINATION SWITCH)

**L 6**

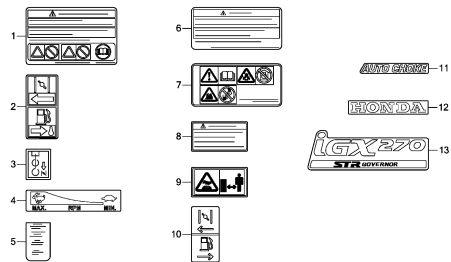


ZSK0E401C

**E-40-2**

OTHER PARTS(LABEL)

**L 7**

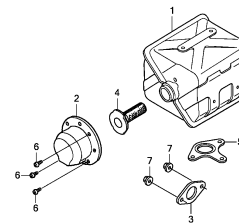


ZSK0E402C

**E-40-3**

OTHER PARTS(MUFFLER)(2)

**L10**

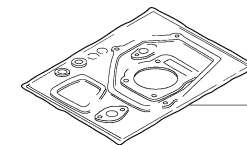


ZSK0E403A

**EOP-1**

GASKET KIT

**L11**

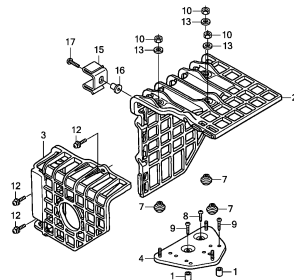


HMFG-X0003

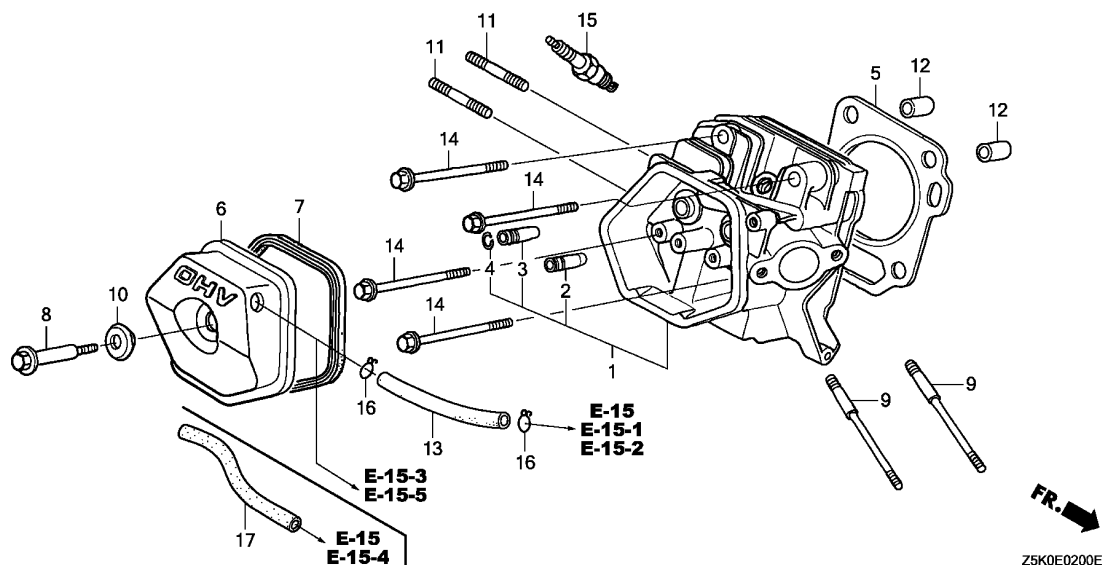
**EOP-2**

MUFFLER COVER

**L12**



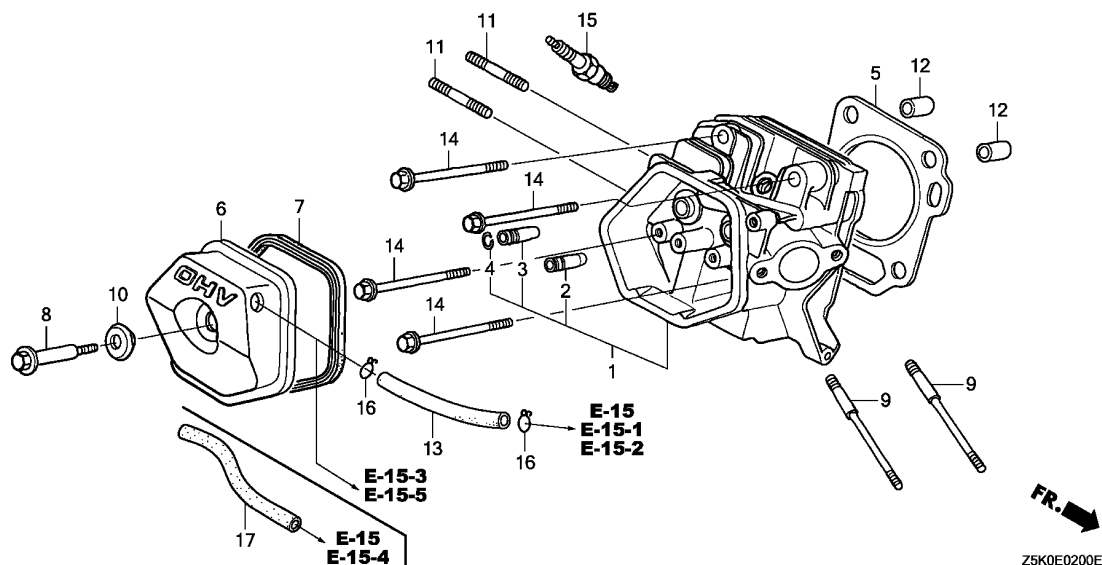
ZSK0X0200C



Ref. No.	L.O.N.	(Relative ref. Number) Description	F.R.T.
----------	--------	------------------------------------	--------

Ref. No.	Part No.	Description	Reqd. QTY				Serial No.	Parts catalogue code
			GX 270 UT	GX 270 UT2	GX 270 RT	GX 270 RT2		
1	12200-Z1D-405	HEAD COMP., CYLINDER	1	-	1	-		
	12210-Z5K-405	.....	-	1	-	1		
2	12204-ZE2-306	GUIDE, IN. VALVE(O.S.)	1	1	1	1		
3	12205-ZE2-305	GUIDE, EX. VALVE(O.S.)	1	1	1	1		
4	12216-ZE2-300	CLIP, VALVE GUIDE	1	1	1	1		
5	12251-Z1D-801	GASKET, CYLINDER HEAD (THAI LEAKLESS)	1	-	1	-		HA2,HEA2,HEA8,HKS8,HX26,HX8,HXQ4,LXQ4,PA2,PAE2,PX26,PXED,QA4,QA2,QA6,QAQ4,QAR2,QAW,QE,QHB4,QKE4,QME2,QSC9,QWA4,QWH2,QXB2,QXB6,QXB9,QXC2,QXC4,QXC6,QXCU,QXE4,QXUZ,RA2,RH26,RHE2,RHE4,RHG4,RHQ4,RSC2,RXQ4,RXU,SMC2,SMC4,SME1,SME6,SWA2,SWA4,SWC4,SWS4,SXB7,SXB9,SXE4,VA2,VAG2,VDE2,VKB2,VKE4,VKQ4,VKX4,VMA4,VME4,VN17,VNT2,VPE2,VPE4,VPE5,VPX4,VPX5,VPX9,VS37,VS39,VSD7,VSD9,VSH7,VW12,VWA2,VWN2,VWT4,VX2,VXB7,VXB9,VXE6,VXE7,VXE9,VXQ4
	12251-ZH9-000	GASKET, CYLINDER HEAD	1	-	-	-	1027579	LXE8,LXU,PXE8,PXU,QA2,QA26,QAG2,QH26,QHQ4,QSE8,QXB7,QXC9,QXE8,QXQ4,QXU,SHQ4,SXE8,SXQ4,SXU,VXU1
	12251-Z1D-801	GASKET, CYLINDER HEAD (THAI LEAKLESS)	1	-	-	-	1027580	LXE8,LXU,PXE8,PXU,QA2,QA26,QAG2,QH26,QHQ4,QSE8,QXB7,QXC9,QXE8,QXQ4,QXU,SHQ4,SXE8,SXQ4,SXU,VXU1
	12251-Z5K-003	GASKET, CYLINDER HEAD	-	1	-	1		
6	12310-ZE2-020	COVER COMP., HEAD	1	-	1	-		LXE8,LXU,PXE8,PXED,PXU,QA2,QA26,QAG2,QH26,QHB4,QHQ4,QSE8,QXB7,QXE8,QXQ4,QXU,QXUZ,SHQ4,SWS4,SXE8,SXQ4,SXU,VKX4,VN17,VPX4,VPX9,VPX9,VS37,VS39,VSD7,VSH7,VWA2,VX2,VXB7,VXB9,VXQ4,VXU1
	12310-ZE3-791	COVER COMP., HEAD (BREATHER TUBE JOINT)	1	-	-	-		QXC9



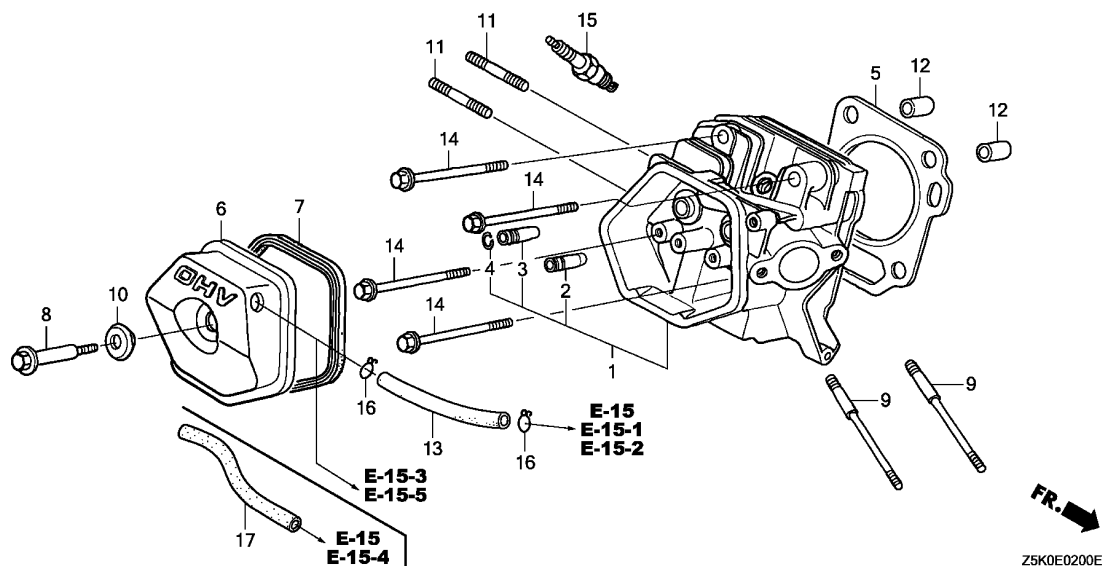


Ref. No.	Part No.	Description	Reqd. QTY				Serial No.	Parts catalogue code
			GX 270 UT	GX 270 UT2	GX 270 RT	GX 270 RT2		
(6)	12310-Z5T-000	COVER, CYLINDER HEAD .....	-	1	-	1	-----	HA2,HEA2,HKS8,HX26,HX8,HXQ4,LXQ4,LXU,PA2,PAE2,PX26,PXED,PXU PZX8,QA2,QA26,QA4, QAE2,QAG2,QAQ4,QAR2,QAW,QE,QH26,QHB4,QHQ4 QKE4,QME2,QSE8,QXB6,QXB7,QXB9,QXE4,QXE8,QXQ4,QXU,QXUZ,QZA2 QZAV,QZK4,QZX4,RA2,RH26,RHE4,RHE5,RHG4,RHQ4,RSC2,RXQ4,RXU,SHQ4 SMC4,SME1,SME6,SWA4,SWC4,SWS4, SXB7,SXB9,SXE4,SXQ4,SXU,VA2,VDE2 VKB2,VKE4,VKQ4,VKX4,VMT2,VN17,VNT2,VPE4,VPE5,VPX4,VPX5,VS37 VSD7,VWT4,VX2,VXB7,VXE6,VXE7,VXE9,VXQ4,VXU1,VZX7 PXEM,QXEM,QZM2,QZMH,QZXR,RHQ5,SAX4,SHQ5,SMX2,WKT,WMT8 RDG4
	12310-ZE2-020	COVER COMP., HEAD .....	-	1	-	-	-----	RDG4
7	12391-ZE2-020	PACKING, HEAD COVER .....	1	1	1	1	-----	
8	90014-ZE2-000	BOLT, HEAD COVER .....	1	-	1	-	-----	
	90014-Z5T-000	.....	-	1	-	1	-----	
9	90042-ZE2-000	BOLT, STUD, 8X123 .....	2	2	2	2	-----	HA2,HEA2,HEA8,HKS8,HX26,HX8,HXQ4,LXE8,LXQ4,LXU,PA2,PAE2,PX26 PXEM,PXED,PXU,QA2,QA26,QA4, QAE2,QAE6,QAG2,QAQ4,QAR2,QAW,QE QH26,QHB4,QHQ4,QKE4,QME2,QSC9,QSE8,QWA4,QWH2,QXB2,QXB6,QXB7 QXB9,QXC2,QXC4,QXC6,QXC9,QXCU,QXE4,QXE8,QXEM,QXQ4,QXU,QXUZ QZK4,RA2,RDG4,RH26,RHE2,RHE4,RHE5,RHG4,RHQ4,RHQ5,RSC2,RXQ4,RXU SAX4,SHQ4,SHQ5,SMC2,SMC4,SME1,SME6,SMX2,SWA2,SWA4,SWC4,SWS4 SXB7,SXB9,SXE4,SXE8,SXQ4,SXU,VA2,VAG2,VDE2,VKB2,VKQ4,VMA4,VME4 VN17,VNT2,VSD7,VSD9,VSH7,VW12,VWA2,VWN2,VWT4,VX2,VXB7,VXB9 VXE6,VXE7,VXE9,VXQ4,VXU1,WKT,WMT8 1135766 VKX4,VPX4,VPX5,VPX9,VS37,VS39
	90042-ZE2-700	BOLT, STUD, 8X98 .....	2	-	-	-	-----	1135767
	90042-ZE8-000	BOLT, STUD, 8X131.5 .....	-	-	-	-	-----	VKX4,VPX4,VPX5,VPX9,VS37,VS39
	90042-ZE2-700	BOLT, STUD, 8X98 .....	-	-	2	-	-----	PZX8,QZA2,QZAV,QZK4,QZM2,QZMH,QZX4,QZXR,VZX7
	90042-ZK2-D60	BOLT, STUD, 8X106 .....	-	-	-	2	-----	VKE4,VKX4,VPE2,VPE4,VPE5,VPX4,VPX5,VPX9,VS37,VS39
10	90441-ZE2-010	WASHER COMP., HEAD COVER ....	1	1	1	1	-----	VKE4,VKX4,VMT2,VPE4,VPE5,VPX4,VPX5,VS37

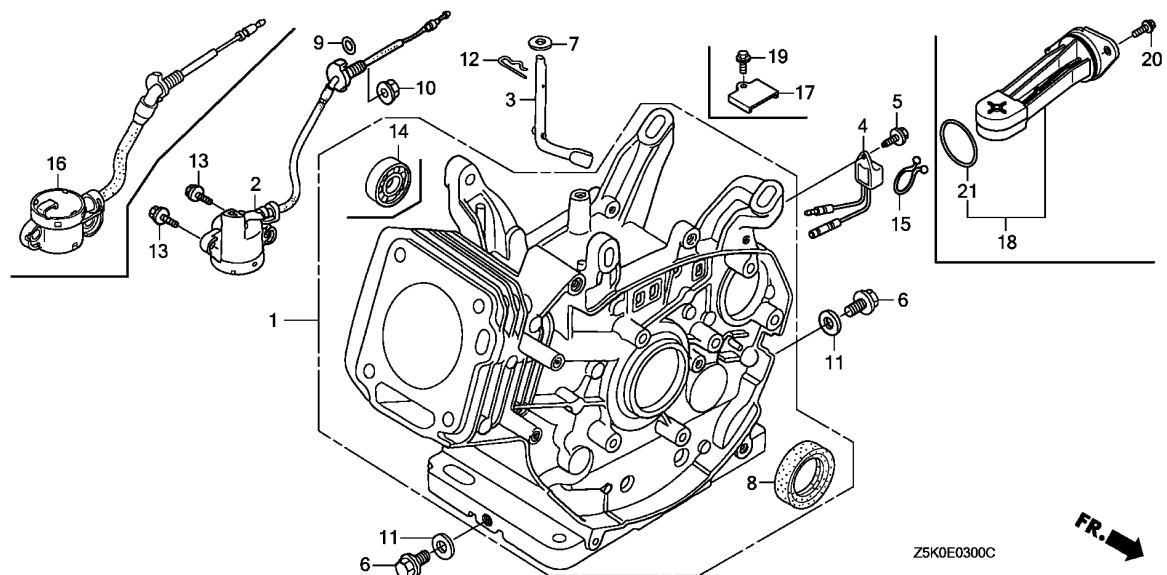
Ref. No.	Part No.	Description	Reqd. QTY				Serial No.	Parts catalogue code
			GX 270 UT	GX 270 UT2	GX 270 RT	GX 270 RT2		
11	92900-08032-0E	BOLT, STUD, 8X32 .....	2	2	2	2	-----	HA2,HEA2,HEA8,HKS8,HX26,HX8,HXQ4,LXE8,LXQ4,LXU,PA2,PAE2,PX26 PXE8,PXED,PXU,PZX8,QA2,QA26,QA4,QA2,QA6,QAG2,QAQ4,QAR2,QAW QE,QH26,QHB4,QHQ4,QKE4,QME2,QSC9,QSE8,QWA4,QWH2,QXB2,QXB6,QXB7 QXB9,QXC2,QXC4,QXC6,QXC9,QXCU,QXE4,QXE8,QXEM,QXQ4,QXU,QXUZ QZA2,QZAV,QZK4,QZM2,QZMH,QZX4,QZXR,RA2,RDG4,RH26,RHE2,RHE4 RHE5,RHG4,RHQ4,RHQ5,RSC2,RXQ4,RXU,SAX4,SHQ4,SHQ5,SMC2,SMC4 SME1,SME6,SMX2,SWA2,SWA4,SWC4,SWS4,SB7,SB9,SXE4,SXE8, SXQ4 SXU,VA2,VAG2,VDE2,VKB2,VKE4,VKQ4,VKX4,VMA4,VME4,VMT2,VN17,VNT2 VPE2,VPE4,VPX4,VS37,VS39,VSD7,VSD9,VSH7,VW12,VWA2,VWN2,VWT4 VX2,VXB7,VXB9,VXE6,VXE7,VXE9,VXQ4,VXU1,VZX7,WKT,WMT8
	90018-ZK6-P10	BOLT, STUD, 8X22 .....	2	-	-	-	-----	1103077 VPX5,VPX9
			-	-	-	-	-----	1103078 VPX5,VPX9
			-	2	2	2	-----	VPE5,VPX5,VPX9
12	94301-12200	DOWEL PIN, 12X20 .....	2	2	2	2	-----	
13	12315-ZE3-840	TUBE, BREATHER .....	1	1	1	1	-----	QSC9,QWA4,QWH2,QXC2,QXC4,QXC6,QXC9,QXCU,VMA4,VME4
	95005-11100-30	TUBE, 11X100(95005-11001-30M)	1	-	1	-	-----	HA2,HEA2,HEA8,HKS8,HX26,HX8,HXQ4,LXE8,LXQ4,LXU,PA2,PAE2,PX26 PXE8,PXED,PXU,QA2,QA26,QA4,QA2,QA6,QAG2,QAQ4,QAR2,QAW,QE QH26,QHB4,QHQ4,QKE4,QME2,QSE8,QXB2,QXB6,QXB7,QXB9,QXE4,QXE8 QXQ4,QXU,QXUZ,RA2,RH26,RHE2,RHE4,RHG4,RHQ4,RSC2,RXQ4,RXU,SHQ4 SMC2,SMC4,SME1,SME6,SWA2,SWA4,SWC4,SWS4,SB7,SB9,SXE4,SXE8 SXQ4,SXU,VA2,VAG2,VDE2,VKB2,VKQ4,VN17,VNT2,VSD7,VSD9,VSH7,VW12 VWA2,VWN2,VWT4,VX2,VXB7,VXB9,VXE6,VXE7,VXE9,VXQ4,VXU1
14	95701-10080-00	BOLT, FLANGE, 10X80 .....	4	4	4	4	-----	
15	98079-56876	PLUG, SPARK(BPR6ES)(NGK) ....	1	1	1	1	-----	HA2,HEA2,HEA8,HKS8,HX26,HX8,HXQ4,LXE8,LXQ4,LXU,PA2,PAE2,PX26 PXE8,PXED,PXU,PZX8,QA2,QA26,QA4,QA2,QA6,QAG2,QAQ4,QAR2,QAW QE,QH26,QHB4,QHQ4,QKE4,QME2,QSC9,QSE8,QWA4,QWH2,QXB2,QXB6,QXB7 QXB9,QXC2,QXC4,QXC6,QXC9,QXCU,QXE4,QXE8,QXEM,QXQ4,QXU,QXUZ QZA2,QZAV,QZK4,QZM2,QZMH,QZX4,QZXR,RA2,RDG4,RH26,RHE2,RHE4 RHE5,RHG4,RHQ4,RHQ5,RSC2,RXQ4,RXU,SAX4,SHQ4,SHQ5,SMC2,SMC4 SME1,SME6,SMX2,SWA2,SWA4,SWC4,SWS4,SB7,SB9,SXE4,SXE8, SXQ4 SXU,VA2,VAG2,VDE2,VKB2,VKQ4,VMA4,VME4,VN17,VNT2,VSD7,VSD9,VSH7 VW12,VWA2,VWN2,VWT4,VX2,VXB7,VXB9,VXE6,VXE7,VXE9,VXQ4,VXU1 VZX7,WKT,WMT8
	98079-55876	PLUG, SPARK(BPR5ES)(NGK) ....	1	-	1	1	-----	VKE4,VKX4,VMT2,VPE2,VPE4,VPE5,VPX4,VPX5,VPX9,VS37,VS39
	98079-55846	.....	(1)	-	(1)	-	-----	HA2,HEA2,HEA8,HKS8,HX26,HX8,HXQ4,LXQ4,PA2,PAE2,PX26,QA2,QA6 QAQ4,QAR2,QAW,QE,QSC9,QWA4,QWH2,QXB6,QXB9,QXC2,QXC4,QXC6,QXE4 RA2,RH26,RHE2,RHE4,RHG4,RHQ4,RSC2,RXQ4,RXU,SWA2,SWA4,SWC4,SWS4 SB7,SB9,SXE4,VA2,VAG2,VDE2,VKB2,VKE4,VKQ4,VMA4,VME4,VN17 VNT2,VPE2,VPE4,VPE5,VSD7,VSD9,VSH7,VW12,VWA2,VWN2,VWT4,VX2 VXB7,VXB9,VXE6,VXE7,VXE9,VXQ4
	98079-55855	PLUG, SPARK(W16EPR-U)(DENSO)	(1)	-	(1)	-	-----	HA2,HEA2,HEA8,HKS8,HX26,HX8,HXQ4,LXQ4,PA2,PAE2,PX26,QA2,QA6 QAQ4,QAR2,QAW,QE,QSC9,QWA4,QWH2,QXB6,QXB9,QXC2,QXC4,QXC6,QXE4 RA2,RH26,RHE2,RHE4,RHG4,RHQ4,RSC2,RXQ4,RXU,SWA2,SWA4,SWC4,SWS4 SB7,SB9,SXE4,VA2,VAG2,VDE2,VKB2,VKQ4,VMA4,VME4,VN17,VNT2 VSD7,VSD9,VSH7,VW12,VWA2,VWN2,VWT4,VX2,VXB7,VXB9,VXE6,VXE7 VXE9,VXQ4
	98079-55876	PLUG, SPARK(BPR5ES)(NGK) ....	(1)	-	-	-	-----	LXE8,LXU,PXE8,PXED,PXU,QA2,QA26,QA4,QAG2,QH26,QHB4,QHQ4,QSE8 QXB2,QXB7,QXC9,QXCU,QXE8,QXQ4,QXU,QXUZ,SHQ4,SXE8, SXQ4, SXU,VXU1
			-	(1)	-	(1)	-----	HA2,HEA2,HKS8,HX26,HX8,HXQ4,LXQ4,LXU,PA2,PAE2,PX26,PXED,PXU PZX8,QA2,QA26,QA4,QA2,QA6,QAG2,QAQ4,QAR2,QAW,QE,QH26,QHB4,QHQ4 QSC9,QSE8,QWA4,QWH2,QXB6,QXB7,QXB9,QXC4,QXC6,QXC9,QXCU,QXE4 QXE8,QXQ4,QXU,QXUZ,QZA2,QZAV,QZX4,QZXR,RA2,RDG4,RH26,RHE4,RHE5 RHG4,RHQ4,RHQ5,RSC2,RXQ4,RXU,SAX4,SHQ4,SHQ5,SMX2,SWA4,SWC4 SWS4,SB7,SB9,SXE4, SXQ4, SXU,VA2,VDE2,VKB2,VKE4,VKQ4,VMA4,VME4 VMT2,VN17,VNT2,VPE4,VPE5,VSD7,VWT4,VX2,VXB7,VXB9,VXE6,VXE7,VXE9 VXQ4,VXU1,VZX7,WKT,WMT8







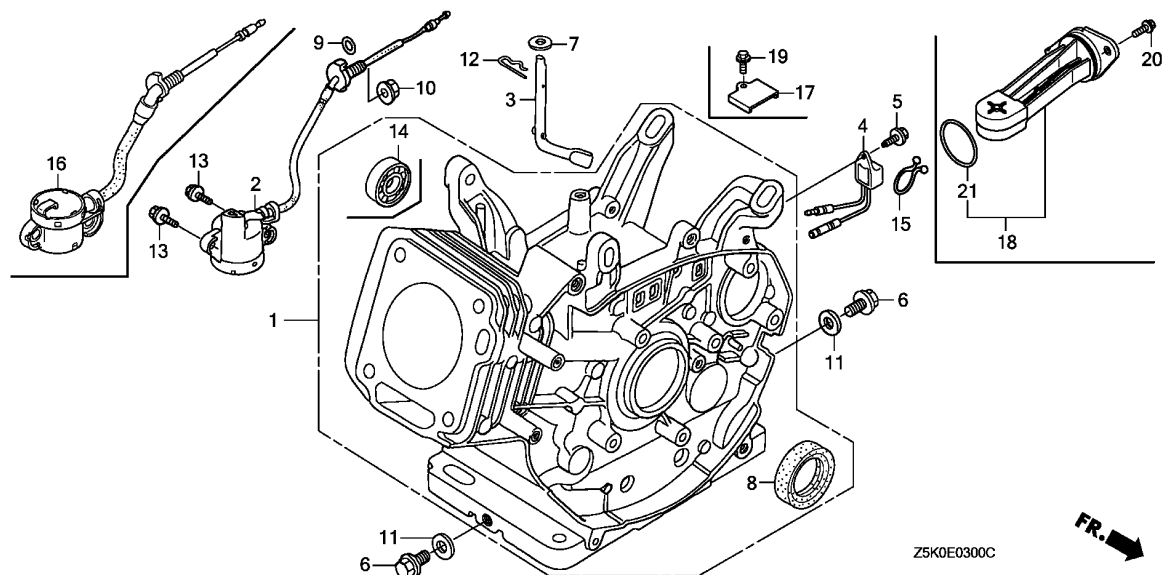
Ref. No.	Part No.	Description	Reqd. QTY				Serial No.	Parts catalogue code
			GX 270 UT	GX 270 UT2	GX 270 RT	GX 270 RT2		
15)	98079-55855	PLUG, SPARK(W16EPR-U) (DENSO)	-	(1)	-	-	HA2,HEA2,HKS8,HX26,HX8,HXQ4,LXQ4,PA2,PAE2,PX26,PXE8,PZX8,QAE2,QAQ4,QAR2,QAW,QE,QSC9,QWA4,QWH2,QXB6,QXB9,QXC4,QXC6,QXE4,QXEM,QZA2,QZAV,QZX4,QZXR,RA2,RH26,RHE4,RHE5,RHQ4,RHQ5,RXQ4,RXU,SAX4,SHQ5,SMX2,SWA4,SWC4,SWS4, SXB7, SXB9, SXE4, VA2, VKQ4, VMA4, VME4, VSD7, VX2, VXB7, VXE6, VXE7, VXE9, VXQ4, VZX7, WKT, WMT8	
	98079-55846	PLUG, SPARK(BPR5ES) (NGK) ....	-	(1)	-	-	HA2,HEA2,HKS8,HX26,PA2,PAE2,QAE2,QAQ4,QAR2,QAW,QE,QXB9,QXE4,QZA2,QZX4,QZXR,RA2,RH26,RHE4,RHQ4,RHQ5,SHQ5,SWA4,SWC4,SXB7,SXE4,VA2,VKQ4,VSD7,VXB7,VXE7,VZX7	
	98079-56855	PLUG, SPARK(W20EPR-U) (DENSO)	-	1	-	-	PXE8,PZX8,QXEM,SAX4,SMX2,WKT,WMT8	
	98079-55855	PLUG, SPARK(W16EPR-U) (DENSO)	-	-	1	1	VKE4,VMT2,VPE2,VPE4,VPE5	
	98079-55846	PLUG, SPARK(BPR5ES) (NGK) ....	-	-	-	(1)	RDG4,RHG4,RSC2,VDE2,VKB2,VKE4,VN17,VNT2,VPE4,VPE5,VWT4	
16	17316-611-000	CLIP, BREATHER TUBE .....	2	2	-	-	QSC9,QWA4,QWH2,QXC2,QXC4,QXC6,QXC9,QXCU,VMA4,VME4	
17	12357-Z5T-010	TUBE, BREATHER .....	-	1	-	1	HA2,HEA2,HKS8,HX26,HX8,HXQ4,LXQ4,LXU,PA2,PAE2,PX26,PXED,PXU,PZX8,QA2,QA26,QA4,QAE2,QAG2,QAQ4,QAR2,QAW,QE,QH26,QHB4,QHQ4,QKE4,QME2,QSE8,QXB6,QXB7,QXB9,QXE4,QXE8,QXQ4,QXU,QXUZ,QZA2,QZAV,QZK4,QZX4,RA2,RH26,RHE4,RHE5,RHG4,RHQ4,RSC2,RXQ4,RXU,SHQ4,SMC4,SME1,SME6,SWA4,SWC4,SWS4, SXB7, SXB9, SXE4, SXQ4, SXU, VA2, VDE2, VKB2, VKQ4, VN17, VNT2, VSD7, VWT4, VX2, VXB7, VXE6, VXE7, VXE9, VXQ4, VXU1, VZX7	
	12357-Z5T-020	.....	-	1	-	1	PXE8,QXEM,QZM2,QZMH,QZXR, RDG4, RHQ5, SAX4, SHQ5, SMX2, WKT, WMT8	



Ref. L.O.N. (Relative ref. Number) F.R.T.  
No. Description

Ref. No.	Part No.	Description	Reqd. QTY				Serial No.	Parts catalogue code
			GX 270 UT	GX 270 UT2	GX 270 RT	GX 270 RT2		
1	12000-ZH9-Q00	BARREL ASSY., CYLINDER (BALANCER+ALERT)	1	-	1	-	HA2, PA2, QAQ4, QAR2, QAW, RA2, RSC2, VA2, VNT2, VM12, VWN2	
	12000-Z1D-Q10	BARREL ASSY., CYLINDER	1	-	1	-	HEA2, HEA8, HKS8, PAE2, QAE2, QAE6, QSC9, QXB6, VDE2, VKB2	
	12000-ZH9-406	BARREL ASSY., CYLINDER (ALERT)	1	-	1	-	HX26, HX8, HXQ4, LXQ4, PX26, QWA4, QWH2, QXB9, QXC2, QXC4, QXC6, RXQ4, RXU	
	12000-Z1D-406	.....	1	-	1	-	SMC2, SMC4, SME6, SWA2, SWA4, SWC4, SWS4, SXB7, SXB9, VAG2, VMA4, VSD9 LXU, PXU, QAG2, QXB2, QXB7, QXC9, QXCU, QXQ4, QXU, QXUZ, SXQ4, SXU, VKX4 VN17, VPX4, VPX5, VPX9, VS37, VS39, VSD7, VSH7, VX2, VXB7, VXB9, VXQ4 VXU1	
	12000-Z1D-Q00	BARREL ASSY., CYLINDER (BALANCER+ALERT)	1	-	1	-	QA2, QA26, QA4, VWA2	
	12000-ZH9-407	BARREL ASSY., CYLINDER (SELFSTARTER+ALERT)	1	-	1	-	QKE4, QME2, QXE4, SME1, SXE4, VKE4, VME4, VPE2, VPE4, VPE5, VWT4, VXE6 VXE7, VXE9	
	12000-Z1D-407	.....	1	-	-	-	LXE8, PXE8, PXED, QSE8, QXE8, SXE8	
	12000-ZH9-405	BARREL ASSY., CYLINDER (STD.)	1	-	-	-	QE, RH26, RHG4, RHQ4, VKQ4	
	12000-Z1D-405	.....	1	-	-	-	QH26, QHB4, QHQ4, SHQ4	
	12000-Z1D-408	BARREL ASSY., CYLINDER	1	-	-	-	RHE2, RHE4	
	12000-Z5K-Q00	.....	-	1	-	1	HA2, PA2, QA2, QA26, QA4, QAQ4, QAR2, QAW, RA2, RSC2, VA2, VNT2	
	12000-Z5K-Q10	.....	-	1	-	1	HEA2, HKS8, PAE2, QAE2, QSC9, QXB6, VDE2, VKB2	
	12000-Z5K-406	.....	-	1	-	1	HX26, HX8, HXQ4, LXQ4, LXU, PX26, PXU, QAG2, QWA4, QWH2, QXB7, QXB9, QXC4 QXC6, QXC9, QXCU, QXQ4, QXU, QXUZ, RXQ4, RXU, SMC4, SME6, SMX2, SWA4, SWC4 SWS4, SXB7, SXB9, SXQ4, SXU, VKX4, VMA4, VN17, VPX4, VPX5, VS37, VSD7, VX2 VXB7, VXQ4, VXU1, WKT, WMT8	
	12000-Z5K-407	.....	-	1	-	1	PXE8, PXED, QKE4, QME2, QSE8, QXE4, QXE8, QXEM, SME1, SXE4, VKE4, VME4 VMT2, VPE4, VPE5, VWT4, VXE6, VXE7, VXE9	
	12000-Z5K-405	.....	-	1	-	1	QE, QH26, QHB4, QHQ4, RDG4, RH26, RHG4, RHQ4, RHQ5, SHQ4, SHQ5, VKQ4	
	12000-Z5K-Q20	.....	-	1	-	-	PZX8, QZK4, QZM2, QZMH, QZX4, QZXR, VZX7	
	12000-Z5K-Q60	.....	-	1	-	-	QZA2, QZAV	
	12000-Z5K-408	.....	-	1	-	-	RHE4, RHE5	





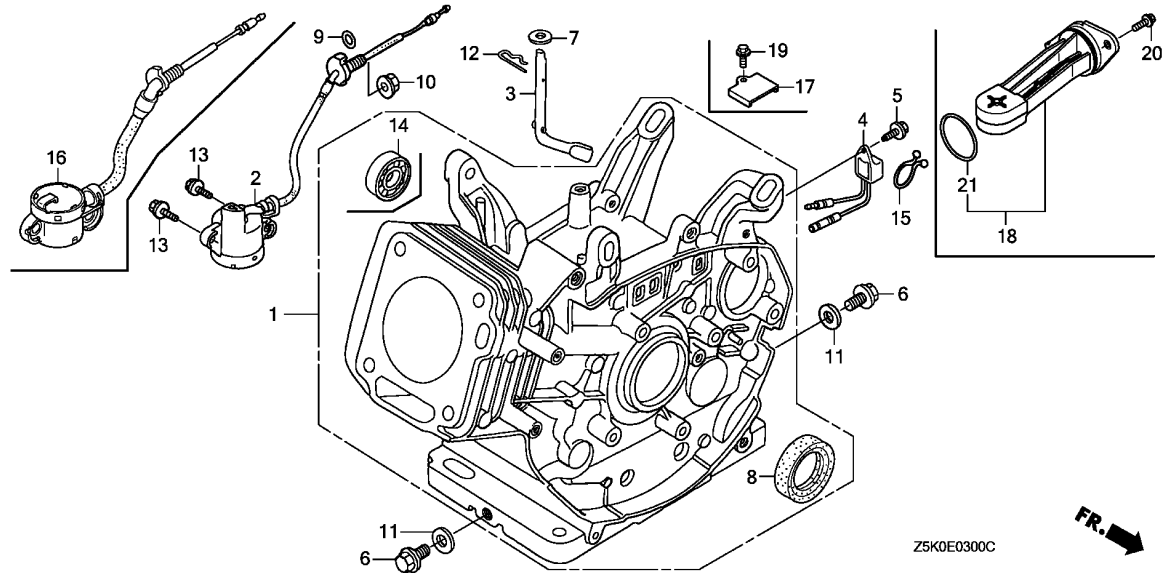
Z5K0E0300C



Ref. No.	Part No.	Description	Reqd. QTY				Serial No.	Parts catalogue code
			GX 270 UT	GX 270 UT2	GX 270 RT	GX 270 RT2		
(1)	12000-Z5K-409	BARREL ASSY., CYLINDER	-	1	-	-	-----	SAX4
2	15510-ZE2-053	SWITCH ASSY., OIL LEVEL	1	-	-	-	-----	HEA2, HEA8, HX26, PAE2, QAE2, QAE6, QME2, QSC9, QXB6, QXE4, SME1, SXE4, VXE6, VXE7, VXE9
	15510-ZE2-043	.....	1	-	-	-	1066801	LXE8, LXU, PXE8, PXU, QA2, QA26, QAG2, QSE8, QXB7, QXC9, QXE8, QXQ4, QXU, SXE8, SXQ4, SXU, VXU1
3	16541-ZE2-010	SHAFT, GOVERNOR ARM	1	1	1	1	-----	HA2, HEA2, HEA8, HKS8, HX26, HX8, HXQ4, LXE8, LXQ4, LXU, PA2, PAE2, PX26, PXE8, PXED, PXU, QA2, QA26, QA4, QAE2, QAE6, QAG2, QAQ4, QAR2, QAW, QEQH26, QHB4, QHQ4, QKE4, QME2, QSC9, QSE8, QWA4, QWH2, QXB2, QXB6, QXB7, QXB9, QXC2, QXC4, QXC6, QXC9, QXCU, QXE4, QXE8, QXEM, QXQ4, QXU, QXUZ, QZK4, RA2, RDG4, RH26, RHE2, RHE4, RHE5, RHG4, RHQ4, RHQ5, RSC2, RXQ4, RXU, SAX4, SHQ4, SHQ5, SMC2, SMC4, SME1, SME6, SMX2, SWA2, SWA4, SWC4, SWS4, SXB7, SXB9, SXE4, SXE8, SXQ4, SXU, VA2, VAG2, VDE2, VKB2, VKE4, VKQ4, VKX4, VMA4, VME4, VMT2, VN17, VNT2, VPE2, VPE4, VPE5, VPX4, VPX5, VPX9, VS37, VS39, VSD7, VSD9, VSH7, VW12, VWA2, VWN2, VWT4, VX2, VXB7, VXB9, VXE6, VXE7, VXE9, VXQ4, VXU1, WKT, WMT8
4	34150-ZH7-013	ALERT UNIT, OIL	1	-	-	-	-----	HA2, HX26, HX8, HXQ4, LXQ4, PA2, PX26, QA4, QAQ4, QAR2, QAW, QKE4, QWA4, QWH2, QXB2, QXB9, QXC2, QXC4, QXC6, QXCU, QXUZ, RA2, RXQ4, RXU, SMC2, SMC4, SME6, SWA2, SWA4, SWC4, SWS4, SXB7, SXB9, VA2, VMA4, VME4, VSD9
	34150-ZH7-003	.....	1	-	-	-	-----	LXU, PXU, QA2, QA26, QAG2, QXB7, QXC9, QXQ4, QXU, SXQ4, SXU, VKX4, VN17, VPX4, VPX5, VPX9, VS37, VS39, VSD7, VSH7, VWA2, VX2, VXB7, VXB9, VXQ4, VXU1
	34150-ZH7-013	.....	-	-	1	-	-----	RSC2, VAG2, VKE4, VKX4, VN17, VNT2, VPE2, VPE4, VPE5, VPX4, VPX5, VPX9, VS37, VS39, VSH7, VW12, VWA2, VWN2, VWT4
5	90013-883-000	BOLT, FLANGE, 6X12(CT200)	1	-	1	-	-----	HA2, HX26, HX8, HXQ4, LXQ4, LXU, PA2, PX26, PXU, QA2, QA26, QA4, QAG2, QAQ4, QAR2, QAW, QKE4, QWA4, QWH2, QXB2, QXB7, QXB9, QXC2, QXC4, QXC6, QXC9, QXCU, QXQ4, QXU, QXUZ, RA2, RSC2, RXQ4, RXU, SMC2, SMC4, SME6, SWA2, SWA4, SWC4, SWS4, SXB7, SXB9, SXQ4, SXU, VA2, VAG2, VKE4, VKX4, VMA4, VME4, VN17, VNT2, VPE2, VPE4, VPE5, VPX4, VPX5, VPX9, VS37, VS39, VSD7, VSD9, VSH7, VW12, VWA2, VWN2, VWT4, VX2, VXB7, VXB9, VXQ4, VXU1

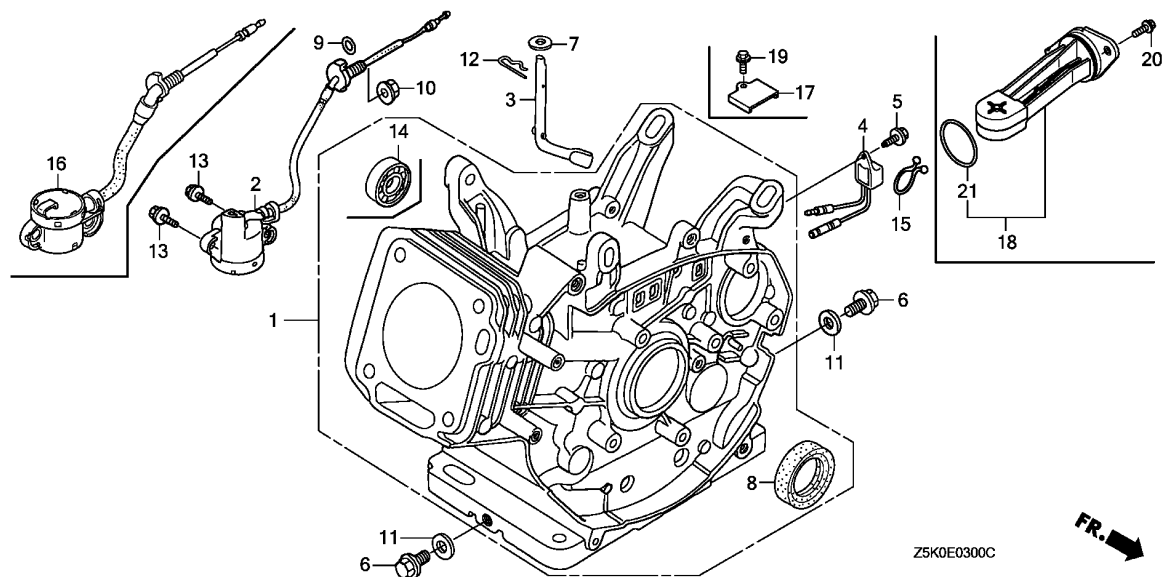
Ref. No.	Part No.	Description	Reqd. QTY				Serial No.	Parts catalogue code
			GX 270 UT	GX 270 UT2	GX 270 RT	GX 270 RT2		
6	90131-883-000	BOLT, DRAIN PLUG, 12X15 .....	2	2	2	2		
7	90446-KE1-000	WASHER, 8.2X17X0.8 .....	1	1	1	1	-----	
							HA2,HEA2,HEA8,HKS8,HX26,HX8,HXQ4,LXE8,LXQ4,LXU,PA2,PAE2,PX26 PXE8,PXED,PXU,QA2,QA26,QA4,QA2,QA6,QAG2,QAQ4,QAR2,QAW,QA QH26,QHB4,QHQ4,QKE4,QME2,QSC9,QSE8,QWA4,QWH2,QXB2,QXB6,QXB7 QXB9,QXC2,QXC4,QXC6,QXC9,QXCU,QXE4,QXE8,QXEM,QXQ4,QXU,QXUZ QZK4,RA2,RDG4,RH26,RHE2,RHE4,RHE5,RHG4,RHQ4,RHQ5,RSC2,RXQ4,RXU SAX4,SHQ4,SHQ5,SMC2,SMC4,SME1,SME6,SMX2,SWA2,SWA4,SWC4,SWS4 SXB7,SXB9,SXE4,SXE8,SXQ4,SXU,VA2,VAG2,VDE2,VKB2,VKE4,VKQ4,VKX4 VMA4,VME4,VMT2,VN17,VNT2,VPE2,VPE4,VPE5,VPX4,VPX5,VPX9,VS37 VS39,VSD7,VSD9,VSH7,VW12,VWA2,VWN2,VWT4,VX2,VXB7,VXB9,VXE6 VXE7,VXE9,VXQ4,VXU1,WKT,WMT8	
8	91201-890-003	OIL SEAL, 30X46X8 .....	1	-	1	-	-----	
	91201-21D-003	.....	1	-	1	-	-----	
							HA2,HX26,HX8,HXQ4,LXQ4,PA2,PX26,QAQ4,QAR2,QAW,QA,QKE4,QME2 QWA4,QWH2,QXB9,QXC2,QXC4,QXC6,QXE4,RA2,RH26,RHG4,RHQ4,RSC2 RXQ4,RXU,SMC2,SMC4,SME1,SME6,SWA2,SWA4,SWC4,SWS4,SXB7,SXB9 SXE4,VA2,VAG2,VKE4,VKQ4,VMA4,VME4,VNT2,VPE2,VPE4,VPE5,VSD9 VW12,VWN2,VWT4,VXE6,VXE7,VXE9	
							HA2,HEA2,HEA8,HKS8,LXE8,LXU,PAE2,PXE8,PXED,PXU,QA2,QA26,QA4,QA2 QA6,QAG2,QH26,QHB4,QHQ4,QSC9,QSE8,QXB2,QXB6,QXB7,QXC9,QXCU QXE8,QXQ4,QXU,QXUZ,RHE2,RHE4,SHQ4,SXE8,SXQ4,SXU,VDE2,VKB2,VKX4 VN17,VPX4,VPX5,VPX9,VS37,VS39,VSD7,VSH7,VWA2,VX2,VXB7,VXB9 VXQ4,VXU1	
9	91353-671-004	O-RING, 14MM(NOK) .....	-	1	-	1	-----	
			1	1	1	1	-----	
							HA2,HEA2,HEA8,HKS8,HX26,HX8,HXQ4,LXE8,LXQ4,LXU,PA2,PAE2,PX26 PXE8,PXED,PXU,QA2,QA26,QA4,QA2,QA6,QAG2,QAQ4,QAR2,QAW,QKE4 QME2,QSC9,QSE8,QWA4,QWH2,QXB2,QXB6,QXB7,QXB9,QXC2,QXC4,QXC6 QXC9,QXCU,QXE4,QXE8,QXEM,QXQ4,QXU,QXUZ,QZK4,RA2,RSC2,RXQ4,RXU SMC2,SMC4,SME1,SME6,SMX2,SWA2,SWA4,SWC4,SWS4,SXB7,SXB9,SXE4 SXE8,SXQ4,SXU,VA2,VAG2,VDE2,VKB2,VKE4,VKX4,VMA4,VME4,VMT2,VN17 VNT2,VPE2,VPE4,VPE5,VPX4,VPX5,VPX9,VS37,VS39,VSD7,VSD9,VSH7 VW12,VWA2,VWN2,VWT4,VX2,VXB7,VXB9,VXE6,VXE7,VXE9,VXQ4,VXU1,WKT WMT8	
10	94050-10000	NUT, FLANGE, 10MM .....	1	1	1	1	-----	
							HA2,HEA2,HEA8,HKS8,HX26,HX8,HXQ4,LXE8,LXQ4,LXU,PA2,PAE2,PX26 PXE8,PXED,PXU,QA2,QA26,QA4,QA2,QA6,QAG2,QAQ4,QAR2,QAW,QKE4 QME2,QSC9,QSE8,QWA4,QWH2,QXB2,QXB6,QXB7,QXB9,QXC2,QXC4,QXC6 QXC9,QXCU,QXE4,QXE8,QXEM,QXQ4,QXU,QXUZ,QZK4,RA2,RSC2,RXQ4,RXU SMC2,SMC4,SME1,SME6,SMX2,SWA2,SWA4,SWC4,SWS4,SXB7,SXB9,SXE4 SXE8,SXQ4,SXU,VA2,VAG2,VDE2,VKB2,VKE4,VKX4,VMA4,VME4,VMT2,VN17 VNT2,VPE2,VPE4,VPE5,VPX4,VPX5,VPX9,VS37,VS39,VSD7,VSD9,VSH7 VW12,VWA2,VWN2,VWT4,VX2,VXB7,VXB9,VXE6,VXE7,VXE9,VXQ4,VXU1,WKT WMT8	
11	94109-12000	WASHER, DRAIN PLUG, 12MM .....	2	2	2	2		
12	94251-10000	PIN, LOCK, 10MM .....	1	1	1	1	-----	
							HA2,HEA2,HEA8,HKS8,HX26,HX8,HXQ4,LXE8,LXQ4,LXU,PA2,PAE2,PX26 PXE8,PXED,PXU,QA2,QA26,QA4,QA2,QA6,QAG2,QAQ4,QAR2,QAW,QA QH26,QHB4,QHQ4,QKE4,QME2,QSC9,QSE8,QWA4,QWH2,QXB2,QXB6,QXB7 QXB9,QXC2,QXC4,QXC6,QXC9,QXCU,QXE4,QXE8,QXEM,QXQ4,QXU,QXUZ QZK4,RA2,RDG4,RH26,RHE2,RHE4,RHE5,RHG4,RHQ4,RHQ5,RSC2,RXQ4,RXU SAX4,SHQ4,SHQ5,SMC2,SMC4,SME1,SME6,SMX2,SWA2,SWA4,SWC4,SWS4 SXB7,SXB9,SXE4,SXE8,SXQ4,SXU,VA2,VAG2,VDE2,VKB2,VKE4,VKQ4,VKX4 VMA4,VME4,VMT2,VN17,VNT2,VPE2,VPE4,VPE5,VPX4,VPX5,VPX9,VS37 VS39,VSD7,VSD9,VSH7,VW12,VWA2,VWN2,VWT4,VX2,VXB7,VXB9,VXE6 VXE7,VXE9,VXQ4,VXU1,WKT,WMT8	





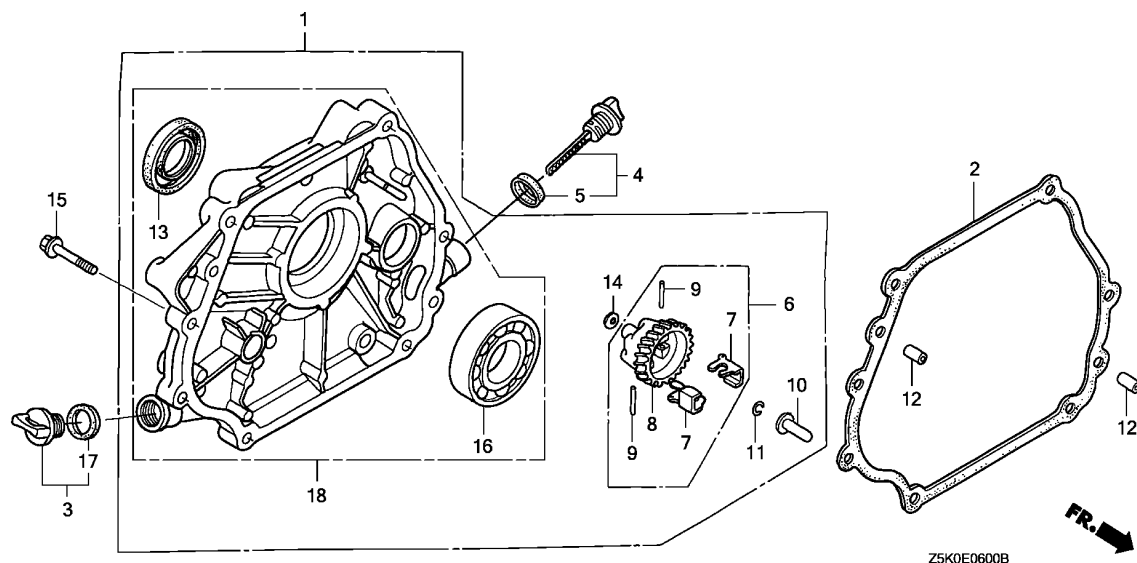
2

Ref. No.	Part No.	Description	Reqd. QTY				Serial No.	Parts catalogue code
			GX 270 UT	GX 270 UT2	GX 270 RT	GX 270 RT2		
13	95701-06012-00	BOLT, FLANGE, 6X12 .....	2	2	2	2	-----	HA2,HEA2,HEA8,HKS8,HX26,HX8,HXQ4,LXE8,LXQ4,LXU,PA2,PAE2,PX26,PXE8,PXED,PXU,QA2,QA26,QA4,QA2,QA6,QA6,QAG2,QAQ4,QAR2,QAW,QKE4,QME2,QSC9,QSE8,QWA4,QWH2,QXB2,QXB6,QXB7,QXB9,QXC2,QXC4,QXC6,QXC9,QXCU,QXE4,QXE8,QXEM,QXQ4,QXU,QXUZ,QZK4,RA2,RSC2,RXQ4,RXU,SMC2,SMC4,SME1,SME6,SMX2,SWA2,SWA4,SWC4,SWS4,SXB7,SXB9,SXE4,SXE8,SXQ4,SXU,VA2,VAG2,VDE2,VKB2,VKE4,VKX4,VMA4,VME4,VMT2,VN17,VNT2,VPE2,VPE4,VPE5,VPX4,VPX5,VPX9,VS37,VS39,VSD7,VSD9,VSH7,VW12,VWA2,VWN2,VWT4,VX2,VXB7,VXB9,VXE6,VXE7,VXE9,VXQ4,VXU1,WKT,WMT8
14	96100-62020-00	BEARING, RADIAL BALL, 6202 ..	1	1	1	1	-----	HA2,HEA2,HEA8,HKS8,PA2,PAE2,QA2,QA26,QA4,QA2,QA6,QAQ4,QAR2,QAW,QSC9,QXB6,QZA2,QZAV,RA2,RSC2,SAX4,VA2,VDE2,VKB2,VNT2,VW12,VWA2,VWN2
15	90630-751-000	CLIP, PURSE LOCK .....	1	-	-	-	-----	HEA2,HEA8,HKS8,PAE2,QA2,QA6,QME2,QSC9,QXB6,QXE4,SME1,SXE4,VXE6,VXE7,VXE9
			-	-	1	-	-----	VDE2,VKB2,VS37,VS39



Ref. No.	Part No.	Description	Reqd. QTY				Serial No.	Parts catalogue code	
			GX 270 UT	GX 270 UT2	GX 270 RT	GX 270 RT2			
16	35480-ZF6-003	SWITCH ASSY., OIL LEVEL .....	1	-	1	1	-----	HA2,HKS8,HX8,HXQ4,LXQ4,PA2,PX26,PXED,QA4,QAQ4,QAR2,QAW,QKE4,QWA4,QWH2,QXB2,QXB9,QXC2,QXC4,QXC6,QXC9,QXUZ,RA2,RSC2,RXQ4,RXUSMC2,SMC4,SME6,SWA2,SWA4,SWC4,SWS4,SXB7,SXB9,VA2,VAG2,VDE2,VKB2,VKE4,VKX4,VMA4,VME4,VMT2,VN17,VNT2,VPE2,VPE4,VPE5,VPX4,VPX5,VPX9,VS37,VS39,VSD7,VSD9,VSH7,VW12,VMA2,VWN2,VWT4,VX2,VXB7,VXB9,VXQ4	
			1	-	-	-	1066802	-----	LXE8,LXU,PXE8,PXU,QA2,QA26,QAG2,QSE8,QXB7,QXC9,QXE8,QXQ4,QXUSXE8,SXQ4,SXU,VXU1
			-	1	-	-	-----	-----	HA2,HEA2,HKS8,HX26,HX8,HXQ4,LXQ4,LXU,PA2,PAE2,PX26,PXE8,PXED,PXU,QA2,QA26,QA4,QAE2,QAG2,QAQ4,QAR2,QAW,QKE4,QME2,QSC9,QSE8,QWA4,QWH2,QXB6,QXB7,QXB9,QXC4,QXC6,QXC9,QXC9,QXE4,QXE8,QXEM,QXQ4,QXU,QXUZ,QZK4,RA2,RXQ4,RXU,SMC4,SME1,SME6,SMX2,SWA4,SWC4,SWS4,SXB7,SXB9,SXE4,SXQ4,SXU,VA2,VMA4,VME4,VSD7,VX2,VXB7,VXE6,VXE7,VXE9,VXQ4,VXU1,WKT,WMT8
17	32115-Z5T-W00	BRACKET A, HARNESS .....	-	1	-	-	-----	-----	PZX8,QZA2,QZAV,QZK4,QZM2,QZMH,QZX4,QZXR,VZX7
18	35480-Z5K-W01	SWITCH ASSY., OIL LEVEL .....	-	1	-	-	-----	-----	PZX8,QZA2,QZAV,QZK4,QZM2,QZMH,QZX4,QZXR,VZX7
19	90013-883-000	BOLT, FLANGE, 6X12(CT200) ...	-	1	-	-	-----	-----	PZX8,QZA2,QZAV,QZK4,QZM2,QZMH,QZX4,QZXR,VZX7
20	90029-888-000	BOLT, FLANGE, 6X16(CT200) ...	-	2	-	-	-----	-----	PZX8,QZA2,QZAV,QZK4,QZM2,QZMH,QZX4,QZXR,VZX7
21	91309-Z6L-000	O-RING, 37.9X2.4 .....	-	1	-	-	-----	-----	PZX8,QZA2,QZAV,QZK4,QZM2,QZMH,QZX4,QZXR,VZX7





Ref. L.O.N. (Relative ref. Number) F.R.T.  
No. Description

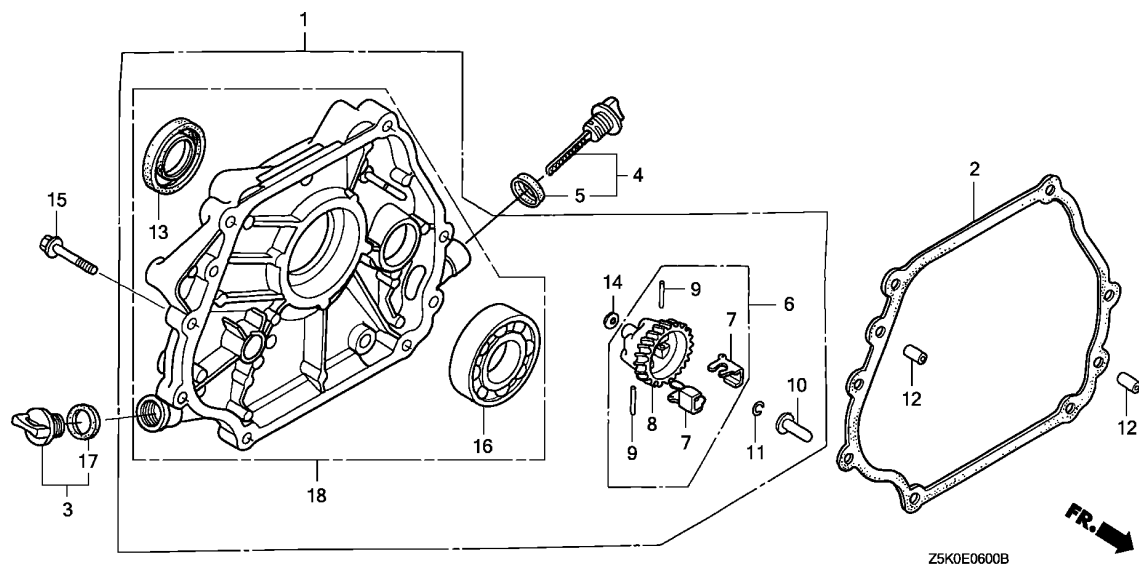
Ref. No.	Part No.	Description	Reqd. QTY				Serial No.	Parts catalogue code
			GX 270 UT	GX 270 UT2	GX 270 RT	GX 270 RT2		
1	11300-Z1D-600	COVER ASSY., CRANKCASE	1	1	1	-	PX26, PXE8, PXED, PXU, QAG2, QE, QH26, QHB4, QHQ4, QKE4, QME2, QSE8, QWA4, QWH2, QXB2, QXB7, QXB9, QXC2, QXC4, QXC6, QXC9, QXCU, QXE4, QXE8, QXEM, QXQ4, QXU, QXUZ, VAG2, VKE4, VKX4, VN17, VS37, VS39, VSD7, VSD9, VSH7, VWT4, VX2, VXE6, VXQ4, VXU1	
	11300-Z1D-000		1	1	-	1	RDG4, RH26, RHE2, RHE4, RHE5, RHG4, RHQ4, RHQ5, RXQ4, RXU, SHQ4, SHQ5, SMC2, SMC4, SME1, SME6, SWA2, SWA4, SWC4, SWS4, SXB7, SXB9, SXE4, SXE8, SXQ4, SXU, VKQ4, VMA4, VME4	
	11300-Z1D-810		-	1	-	-	SMX2, WKT	
	11300-Z1D-600		-	-	-	1	VN17, VWT4	
2	11381-ZE2-801	PACKING, CASE COVER	1	-	1	-	PX26, PXE8, PXED, PXU, QAG2, QE, QH26, QHB4, QHQ4, QKE4, QME2, QSE8, QWA4, QWH2, QXB2, QXB7, QXB9, QXC2, QXC4, QXC6, QXC9, QXCU, QXE4, QXE8, QXEM, QXQ4, QXU, QXUZ, RH26, RHE2, RHE4, RHG4, RHQ4, RXQ4, RXU, SHQ4, SMC2, SMC4, SME1, SME6, SWA2, SWA4, SWC4, SWS4, SXB7, SXB9, SXE4, SXE8, SXQ4, SXU, VAG2, VKE4, VKQ4, VKX4, VMA4, VME4, VN17, VS37, VS39, VSD7, VSD9, VSH7, VWT4, VX2, VXE6, VXQ4, VXU1	
	11381-Z5K-000		-	1	-	1	PX26, PXE8, PXED, PXU, QAG2, QE, QH26, QHB4, QHQ4, QKE4, QME2, QSE8, QWA4, QWH2, QXB7, QXB9, QXC4, QXC6, QXC9, QXCU, QXE4, QXE8, QXEM, QXQ4, QXU, QXUZ, QZK4, RDG4, RH26, RHE4, RHE5, RHG4, RHQ4, RHQ5, RXQ4, RXU, SHQ4, SHQ5, SMC4, SME1, SME6, SMX2, SWA4, SWC4, SWS4, SXB7, SXB9, SXE4, SXQ4, SXU, VKQ4, VMA4, VME4, VN17, VSD7, VWT4, VX2, VXE6, VXQ4, VXU1, WKT	
3	15600-Z0T-820	CAP ASSY., OIL FILLER	1	-	1	-	PX26, PXE8, PXED, PXU, QAG2, QE, QH26, QHB4, QHQ4, QKE4, QME2, QSE8, QWA4, QXB2, QXB7, QXB9, QXC2, QXC4, QXC6, QXC9, QXCU, QXE4, QXE8, QXQ4, QXU, QXUZ, RH26, RHE2, RHE4, RHQ4, RXQ4, RXU, SHQ4, SMC2, SMC4, SME1, SME6, SWA2, SWA4, SWC4, SWS4, SXB7, SXB9, SXE4, SXE8, SXQ4, SXU, VAG2, VKE4, VKQ4, VKX4, VMA4, VN17, VS37, VS39, VSD7, VSD9, VSH7, VWT4, VX2, VXE6, VXQ4, VXU1	
	15600-ZG4-003		1	-	-	-	QWH2, RHG4, VME4	



Ref. No.	Part No.	Description	Reqd. QTY				Serial No.	Parts catalogue code
			GX 270 UT	GX 270 UT2	GX 270 RT	GX 270 RT2		
(3)	15600-ZOT-820	CAP ASSY., OIL FILLER .....	-	1	-	-	PX26, PXE8, PXED, PXU, PZX8, QAG2, QE, QH26, QHB4, QHQ4, QKE4, QME2, QSE8, QWA4, QWH2, QXB7, QXB9, QXC4, QXC6, QXC9, QXCU, QXE4, QXE8, QXEM, QXQ4, QXU, QXUZ, QZK4, QZM2, QZMH, QZX4, QZXR, RH26, RHE4, RHE5, RHQ4, RHQ5, RXQ4, RXU, SHQ4, SHQ5, SMC4, SME1, SME6, SMX2, SWA4, SWC4, SWS4, SXS4, SXS7, SXS9, SXE4, SXQ4, SXU, VKQ4, VMA4, VME4, VSD7, VX2, VXE6, VXQ4, VXU1, VZX7, WKT	
	4	15600-Z1C-000	1	1	1	-	RDG4, RHG4, VN17, VWT4 PX26, PXE8, PXED, PXU, PZX8, QAG2, QE, QH26, QHB4, QHQ4, QKE4, QME2, QSE8, QWA4, QWH2, QXB2, QXB7, QXB9, QXC2, QXC4, QXC6, QXC9, QXCU, QXE4, QXE8, QXEM, QXQ4, QXU, QXUZ, QZK4, QZM2, QZMH, QZX4, QZXR, RH26, RHE2, RHE4, RHE5, RHG4, RHQ4, RHQ5, RXQ4, RXU, SHQ4, SHQ5, SMC2, SMC4, SME1, SME6, SMX2, SWA2, SWA4, SWC4, SWS4, SXS7, SXS9, SXE4, SXE8, SXQ4, SXU, VAG2, VKE4, VKQ4, VKX4, VMA4, VME4, VN17, VS37, VS39, VSD7, VSD9, VSH7, VWT4, VX2, VXE6, VXQ4, VXU1, VZX7, WKT	
	5	15625-ZOT-800	1	1	1	-	RDG4, RHG4, VN17, VWT4 PX26, PXE8, PXED, PXU, PZX8, QAG2, QE, QH26, QHB4, QHQ4, QKE4, QME2, QSE8, QWA4, QWH2, QXB2, QXB7, QXB9, QXC2, QXC4, QXC6, QXC9, QXCU, QXE4, QXE8, QXEM, QXQ4, QXU, QXUZ, QZK4, QZM2, QZMH, QZX4, QZXR, RH26, RHE2, RHE4, RHE5, RHG4, RHQ4, RHQ5, RXQ4, RXU, SHQ4, SHQ5, SMC2, SMC4, SME1, SME6, SMX2, SWA2, SWA4, SWC4, SWS4, SXS7, SXS9, SXE4, SXE8, SXQ4, SXU, VAG2, VKE4, VKQ4, VKX4, VMA4, VME4, VN17, VS37, VS39, VSD7, VSD9, VSH7, VWT4, VX2, VXE6, VXQ4, VXU1, VZX7, WKT	
	6	16510-ZE2-000	1	1	1	-	RDG4, RHG4, VN17, VWT4 PX26, PXE8, PXED, PXU, QAG2, QE, QH26, QHB4, QHQ4, QKE4, QME2, QSE8, QWA4, QWH2, QXB2, QXB7, QXB9, QXC2, QXC4, QXC6, QXC9, QXCU, QXE4, QXE8, QXEM, QXQ4, QXU, QXUZ, RH26, RHE2, RHE4, RHE5, RHG4, RHQ4, RHQ5, RXQ4, RXU, SHQ4, SHQ5, SMC2, SMC4, SME1, SME6, SMX2, SWA2, SWA4, SWC4, SWS4, SXS7, SXS9, SXE4, SXE8, SXQ4, SXU, VAG2, VKE4, VKQ4, VKX4, VMA4, VME4, VN17, VS37, VS39, VSD7, VSD9, VSH7, VWT4, VX2, VXE6, VXQ4, VXU1, WKT	
	7	16511-ZE2-000	2	2	2	-	RDG4, RHG4, VN17, VWT4 PX26, PXE8, PXED, PXU, QAG2, QE, QH26, QHB4, QHQ4, QKE4, QME2, QSE8, QWA4, QWH2, QXB2, QXB7, QXB9, QXC2, QXC4, QXC6, QXC9, QXCU, QXE4, QXE8, QXEM, QXQ4, QXU, QXUZ, RH26, RHE2, RHE4, RHE5, RHG4, RHQ4, RHQ5, RXQ4, RXU, SHQ4, SHQ5, SMC2, SMC4, SME1, SME6, SMX2, SWA2, SWA4, SWC4, SWS4, SXS7, SXS9, SXE4, SXE8, SXQ4, SXU, VAG2, VKE4, VKQ4, VKX4, VMA4, VME4, VN17, VS37, VS39, VSD7, VSD9, VSH7, VWT4, VX2, VXE6, VXQ4, VXU1, WKT	
	8	16512-ZE2-000	1	1	1	-	RDG4, RHG4, VN17, VWT4 PX26, PXE8, PXED, PXU, QAG2, QE, QH26, QHB4, QHQ4, QKE4, QME2, QSE8, QWA4, QWH2, QXB2, QXB7, QXB9, QXC2, QXC4, QXC6, QXC9, QXCU, QXE4, QXE8, QXEM, QXQ4, QXU, QXUZ, RH26, RHE2, RHE4, RHE5, RHG4, RHQ4, RHQ5, RXQ4, RXU, SHQ4, SHQ5, SMC2, SMC4, SME1, SME6, SMX2, SWA2, SWA4, SWC4, SWS4, SXS7, SXS9, SXE4, SXE8, SXQ4, SXU, VAG2, VKE4, VKQ4, VKX4, VMA4, VME4, VN17, VS37, VS39, VSD7, VSD9, VSH7, VWT4, VX2, VXE6, VXQ4, VXU1, WKT	
	9	16513-ZE2-000	2	2	2	-	RDG4, RHG4, VN17, VWT4 PX26, PXE8, PXED, PXU, QAG2, QE, QH26, QHB4, QHQ4, QKE4, QME2, QSE8, QWA4, QWH2, QXB2, QXB7, QXB9, QXC2, QXC4, QXC6, QXC9, QXCU, QXE4, QXE8, QXEM, QXQ4, QXU, QXUZ, RH26, RHE2, RHE4, RHE5, RHG4, RHQ4, RHQ5, RXQ4, RXU, SHQ4, SHQ5, SMC2, SMC4, SME1, SME6, SMX2, SWA2, SWA4, SWC4, SWS4, SXS7, SXS9, SXE4, SXE8, SXQ4, SXU, VAG2, VKE4, VKQ4, VKX4, VMA4, VME4, VN17, VS37, VS39, VSD7, VSD9, VSH7, VWT4, VX2, VXE6, VXQ4, VXU1, WKT	
			-	-	-	2	RDG4, RHG4, VN17, VWT4	







Ref. No.	Part No.	Description	Reqd. QTY				Serial No.	Parts catalogue code
			GX 270 UT	GX 270 UT2	GX 270 RT	GX 270 RT2		
10	16531-Z0A-000	SLIDER, GOVERNOR .....	1	1	1	-	PX26,PXE8,PXED,PXU,QAG2,QE,QH26,QHB4,QHQ4,QKE4,QME2,QSE8,QWA4,QWH2,QXB2,QXB7,QXB9,QXC2,QXC4,QXC6,QXC9,QXCU,QXE4,QXE8,QXEM,QXQ4,QXU,QXUZ,RH26,RHE2,RHE4,RHE5,RHG4,RHQ4,RHQ5,RXQ4,RXU,SHQ4,SHQ5,SMC2,SMC4,SME1,SME6,SMX2,SWA2,SWA4,SWC4,SWS4,SBX7,SBX9,SXE4,SXE8,SXQ4,SXU,VAG2,VKE4,VKQ4,VKX4,VMA4,VME4,VN17,VS37,VS39,VSD7,VSD9,VSH7,VWT4,VX2,VXE6,VXQ4,VXU1,WKT	
			-	-	-	1	RDG4,RHG4,VN17,VWT4	
11	90602-ZE1-000	CLIP, GOVERNOR HOLDER .....	1	1	1	-	PX26,PXE8,PXED,PXU,QAG2,QE,QH26,QHB4,QHQ4,QKE4,QME2,QSE8,QWA4,QWH2,QXB2,QXB7,QXB9,QXC2,QXC4,QXC6,QXC9,QXCU,QXE4,QXE8,QXEM,QXQ4,QXU,QXUZ,RH26,RHE2,RHE4,RHE5,RHG4,RHQ4,RHQ5,RXQ4,RXU,SHQ4,SHQ5,SMC2,SMC4,SME1,SME6,SMX2,SWA2,SWA4,SWC4,SWS4,SBX7,SBX9,SXE4,SXE8,SXQ4,SXU,VAG2,VKE4,VKQ4,VKX4,VMA4,VME4,VN17,VS37,VS39,VSD7,VSD9,VSH7,VWT4,VX2,VXE6,VXQ4,VXU1,WKT	
			-	-	-	1	RDG4,RHG4,VN17,VWT4	
12	90701-HC4-000	DOWEL PIN, 8X12 .....	2	2	2	-	PX26,PXE8,PXED,PXU,PZX8,QAG2,QE,QH26,QHB4,QHQ4,QKE4,QME2,QSE8,QWA4,QWH2,QXB2,QXB7,QXB9,QXC2,QXC4,QXC6,QXC9,QXCU,QXE4,QXE8,QXEM,QXQ4,QXU,QXUZ,QZK4,QZM2,QZMH,QZX4,QZXR,RH26,RHE2,RHE4,RHE5,RHG4,RHQ4,RHQ5,RXQ4,RXU,SHQ4,SHQ5,SMC2,SMC4,SME1,SME6,SMX2,SWA2,SWA4,SWC4,SWS4,SBX7,SBX9,SXE4,SXE8,SXQ4,SXU,VAG2,VKE4,VKQ4,VKX4,VMA4,VME4,VN17,VS37,VS39,VSD7,VSD9,VSH7,VWT4,VX2,VXE6,VXQ4,VXU1,VZX7,WKT	
			-	-	-	2	RDG4,RHG4,VN17,VWT4	

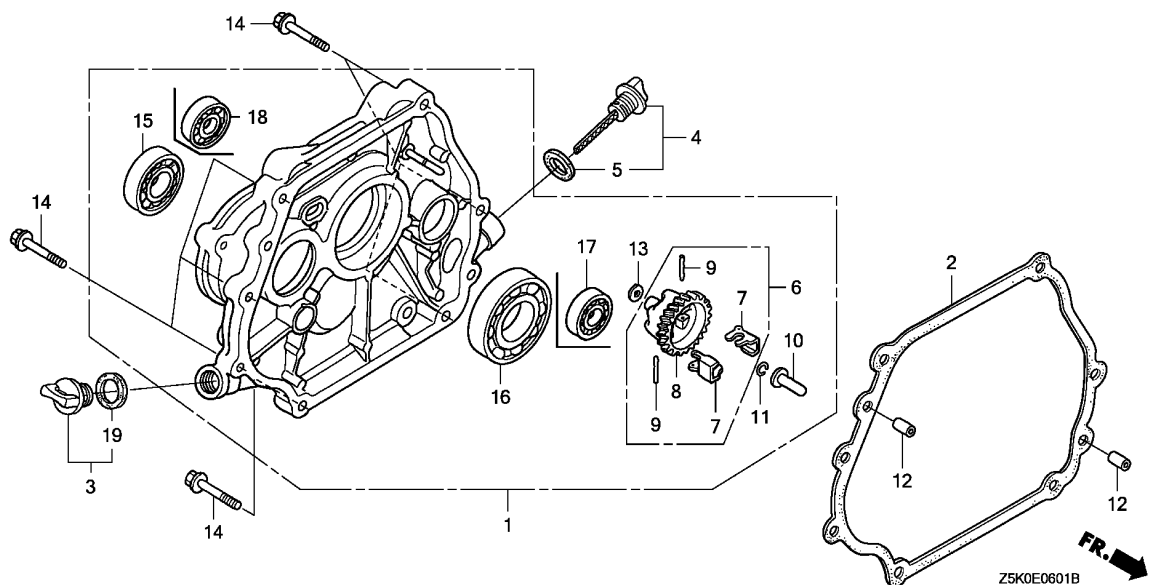
Ref. No.	Part No.	Description	Reqd. QTY				Serial No.	Parts catalogue code
			GX 270 UT	GX 270 UT2	GX 270 RT	GX 270 RT2		
13	91201-Z1D-003	OIL SEAL, 30X46X8 .....	1	1	1	-	PX26, PXE8, PXED, PXU, PZX8, QAG2, QE, QH26, QHB4, QHQ4, QKE4, QME2, QSE8, QWA4, QWH2, QXB2, QXB7, QXB9, QXC2, QXC4, QXC6, QXC9, QXCU, QXE4, QXE8, QXEM, QXQ4, QXU, QXUZ, QZK4, QZM2, QZMH, QZX4, QZXR, RH26, RHE2, RHE4, RHE5, RHG4, RHQ4, RHQ5, RXQ4, RXU, SHQ4, SHQ5, SMC2, SMC4, SME1, SME6, SMX2, SWA2, SWA4, SWC4, SWS4, SXB7, SXB9, SXE4, SXE8, SXQ4, SXU, VAG2, VKE4, VKQ4, VKX4, VMA4, VME4, VN17, VS37, VS39, VSD7, VSD9, VSH7, VWT4, VX2, VXE6, VXQ4, VXU1, VZX7, WKT	
14	94101-06800	WASHER, PLAIN, 6MM .....	-	-	-	1	RDG4, RHG4, VN17, VWT4	
			1	1	1	-	PX26, PXE8, PXED, PXU, QAG2, QE, QH26, QHB4, QHQ4, QKE4, QME2, QSE8, QWA4, QWH2, QXB2, QXB7, QXB9, QXC2, QXC4, QXC6, QXC9, QXCU, QXE4, QXE8, QXEM, QXQ4, QXU, QXUZ, RH26, RHE2, RHE4, RHE5, RHG4, RHQ4, RHQ5, RXQ4, RXU, SHQ4, SHQ5, SMC2, SMC4, SME1, SME6, SMX2, SWA2, SWA4, SWC4, SWS4, SXB7, SXB9, SXE4, SXE8, SXQ4, SXU, VAG2, VKE4, VKQ4, VKX4, VMA4, VME4, VN17, VS37, VS39, VSD7, VSD9, VSH7, VWT4, VX2, VXE6, VXQ4, VXU1, VZX7, WKT	
15	95701-08035-00	BOLT, FLANGE, 8X35 .....	-	-	-	1	RDG4, RHG4, VN17, VWT4	
			7	7	7	-	PX26, PXE8, PXED, PXU, PZX8, QAG2, QE, QH26, QHB4, QHQ4, QKE4, QME2, QSE8, QWA4, QWH2, QXB2, QXB7, QXB9, QXC2, QXC4, QXC6, QXC9, QXCU, QXE4, QXE8, QXEM, QXQ4, QXU, QXUZ, QZK4, QZM2, QZMH, QZX4, QZXR, RH26, RHE2, RHE4, RHE5, RHG4, RHQ4, RHQ5, RXQ4, RXU, SHQ4, SHQ5, SMC2, SMC4, SME1, SME6, SMX2, SWA2, SWA4, SWC4, SWS4, SXB7, SXB9, SXE4, SXE8, SXQ4, SXU, VAG2, VKE4, VKQ4, VKX4, VMA4, VME4, VN17, VS37, VS39, VSD7, VSD9, VSH7, VWT4, VX2, VXE6, VXQ4, VXU1, VZX7, WKT	
			-	-	-	7	RDG4, RHG4, VN17, VWT4	
16	96100-62060-00	BEARING, RADIAL BALL, 6206 ..	1	1	1	-	PX26, PXE8, PXED, PXU, PZX8, QAG2, QE, QH26, QHB4, QHQ4, QKE4, QME2, QSE8, QWA4, QWH2, QXB2, QXB7, QXB9, QXC2, QXC4, QXC6, QXC9, QXCU, QXE4, QXE8, QXEM, QXQ4, QXU, QXUZ, QZK4, QZM2, QZMH, QZX4, QZXR, RH26, RHE2, RHE4, RHE5, RHG4, RHQ4, RHQ5, RXQ4, RXU, SHQ4, SHQ5, SMC2, SMC4, SME1, SME6, SMX2, SWA2, SWA4, SWC4, SWS4, SXB7, SXB9, SXE4, SXE8, SXQ4, SXU, VAG2, VKE4, VKQ4, VKX4, VMA4, VME4, VN17, VS37, VS39, VSD7, VSD9, VSH7, VWT4, VX2, VXE6, VXQ4, VXU1, VZX7, WKT	
17	15625-Z0T-800	PACKING, OIL FILLER CAP .....	-	-	-	1	RDG4, RHG4, VN17, VWT4	
			1	-	1	-	PX26, PXE8, PXED, PXU, QAG2, QE, QH26, QHB4, QHQ4, QKE4, QME2, QSE8, QWA4, QXB2, QXB7, QXB9, QXC2, QXC4, QXC6, QXC9, QXCU, QXE4, QXE8, QXQ4, QXU, QXUZ, RH26, RHE2, RHE4, RHQ4, RXQ4, RXU, SHQ4, SMC2, SMC4, SME1, SME6, SWA2, SWA4, SWC4, SWS4, SXB7, SXB9, SXE4, SXE8, SXQ4, SXU, VAG2, VKE4, VKQ4, VKX4, VMA4, VN17, VS37, VS39, VSD7, VSD9, VSH7, VWT4, VX2, VXE6, VXQ4, VXU1	
	15625-ZE1-003	.....	1	-	-	-	QWH2, RHG4, VME4	
	15625-Z0T-800	.....	-	1	-	-	PX26, PXE8, PXED, PXU, PZX8, QAG2, QE, QH26, QHB4, QHQ4, QKE4, QME2, QSE8, QWA4, QWH2, QXB7, QXB9, QXC4, QXC6, QXC9, QXCU, QXE4, QXE8, QXEM, QXQ4, QXU, QXUZ, QZK4, QZM2, QZMH, QZX4, QZXR, RH26, RHE4, RHE5, RHQ4, RHQ5, RXQ4, RXU, SHQ4, SHQ5, SMC4, SME1, SME6, SMX2, SWA4, SWC4, SWS4, SXB7, SXB9, SXE4, SXQ4, SXU, VKQ4, VMA4, VME4, VSD7, VX2, VXE6, VXQ4, VXU1, VZX7, WKT	
18	11300-Z5K-W10	COVER ASSY., CRANKCASE .....	-	-	-	1	RDG4, RHG4, VN17, VWT4	
			-	1	-	-	PZX8, QZK4, QZM2, QZMH, QZX4, QZXR, VZX7	



E-6-1

CRANKCASE COVER(2)

E14



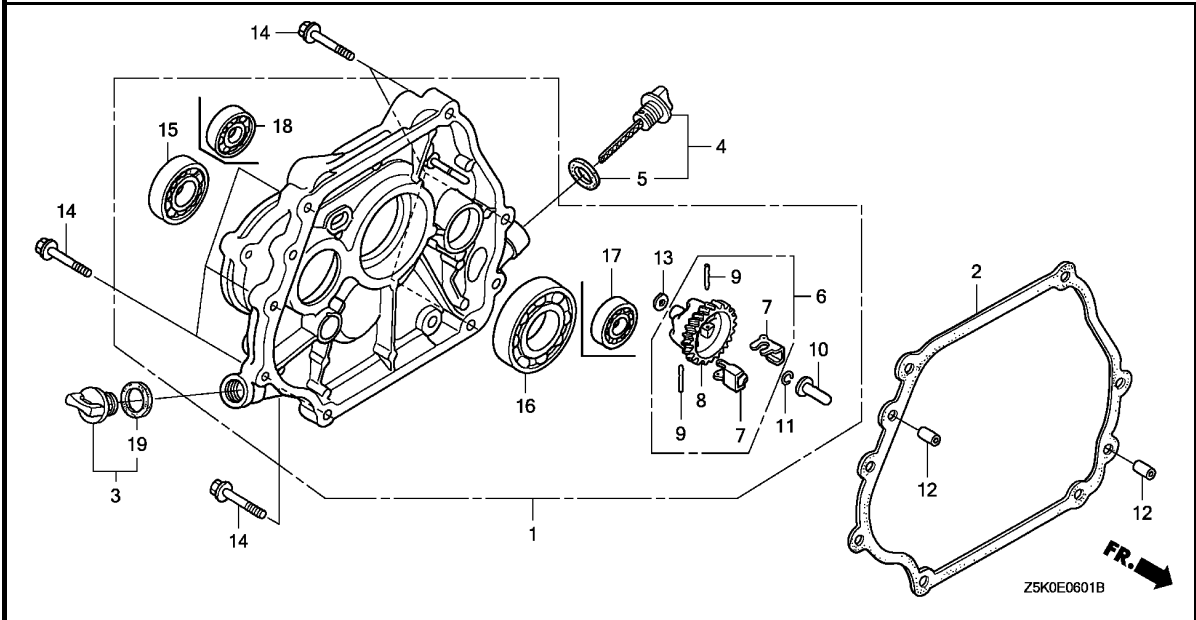
Ref. No.	L.O.N.	(Relative ref. Number) Description	F.R.T.
----------	--------	------------------------------------	--------

Ref. No.	Part No.	Description	Reqd. QTY				Serial No.	Parts catalogue code
			GX 270 UT	GX 270 UT2	GX 270 RT	GX 270 RT2		
1	11400-ZE2-623	COVER ASSY., CRANKCASE	1	1	-	-	HA2,HEA2,HEA8,HKS8	
	11300-ZE2-622	.....	1	1	-	-	HX26,HX8,HXQ4	
	11300-ZE2-612	.....	1	1	-	-	LXE8,LXQ4,LXU	
2	11381-ZE2-801	PACKING, CASE COVER	1	-	-	-	HA2,HEA2,HEA8,HKS8,HX26,HX8,HXQ4,LXE8,LXQ4,LXU	
	11381-Z5K-000	.....	-	1	-	-	HA2,HEA2,HKS8,HX26,HX8,HXQ4,LXQ4,LXU	
3	15600-ZOT-820	CAP ASSY., OIL FILLER	1	-	-	-	HA2,HEA2,HEA8,HX26,HX8,HXQ4,LXE8,LXQ4,LXU	
	15600-ZG4-003	.....	1	-	-	-	HKS8	
	15600-ZOT-820	.....	-	1	-	-	HA2,HEA2,HKS8,HX26,HX8,HXQ4,LXQ4,LXU	
4	15600-Z1C-000	CAP ASSY., OIL FILLER	1	1	-	-	HA2,HEA2,HEA8,HKS8,HX26,HX8,HXQ4,LXE8,LXQ4,LXU	
5	15625-ZOT-800	PACKING, OIL FILLER CAP	1	1	-	-	HA2,HEA2,HEA8,HKS8,HX26,HX8,HXQ4,LXE8,LXQ4,LXU	
6	16510-ZE2-811	GOVERNOR ASSY.	1	1	-	-	HA2,HEA2,HEA8,HKS8	
	16510-ZE2-000	.....	1	1	-	-	HX26,HX8,HXQ4,LXE8,LXQ4,LXU	
7	16511-ZE2-000	WEIGHT, GOVERNOR	2	2	-	-	HA2,HEA2,HEA8,HKS8,HX26,HX8,HXQ4,LXE8,LXQ4,LXU	
8	16512-ZE2-811	HOLDER, GOVERNOR WEIGHT	1	1	-	-	HA2,HEA2,HEA8,HKS8	
	16512-ZE2-000	.....	1	1	-	-	HX26,HX8,HXQ4,LXE8,LXQ4,LXU	
9	16513-ZE2-000	PIN, GOVERNOR WEIGHT	2	2	-	-	HA2,HEA2,HEA8,HKS8,HX26,HX8,HXQ4,LXE8,LXQ4,LXU	
10	16531-Z0A-000	SLIDER, GOVERNOR	1	1	-	-	HA2,HEA2,HEA8,HKS8,HX26,HX8,HXQ4,LXE8,LXQ4,LXU	
11	90602-ZE1-000	CLIP, GOVERNOR HOLDER	1	1	-	-	HA2,HEA2,HEA8,HKS8,HX26,HX8,HXQ4,LXE8,LXQ4,LXU	
12	90701-HC4-000	DOWEL PIN, 8X12	2	2	-	-	HA2,HEA2,HEA8,HKS8,HX26,HX8,HXQ4,LXE8,LXQ4,LXU	
13	94101-06800	WASHER, PLAIN, 6MM	1	1	-	-	HA2,HEA2,HEA8,HKS8,HX26,HX8,HXQ4,LXE8,LXQ4,LXU	
14	95701-08035-00	BOLT, FLANGE, 8X35	7	7	-	-	HA2,HEA2,HEA8,HKS8,HX26,HX8,HXQ4,LXE8,LXQ4,LXU	
15	96100-62040-00	BEARING, RADIAL BALL, 6204	1	1	-	-	HA2,HEA2,HEA8,HKS8,HX26,HX8,HXQ4,LXE8,LXQ4,LXU	
16	96100-62060-00	BEARING, RADIAL BALL, 6206	1	1	-	-	HA2,HEA2,HEA8,HKS8,HX26,HX8,HXQ4,LXE8,LXQ4,LXU	
17	96100-62020-00	BEARING, RADIAL BALL, 6202	1	1	-	-	HA2,HEA2,HEA8,HKS8	
18	96100-63020-00	BEARING, RADIAL BALL, 6302	1	1	-	-	HA2,HEA2,HEA8,HKS8,HX26,HX8,HXQ4	
19	15625-ZOT-800	PACKING, OIL FILLER CAP	1	-	-	-	HA2,HEA2,HEA8,HX26,HX8,HXQ4,LXE8,LXQ4,LXU	

E-6-1

CRANKCASE COVER(2)

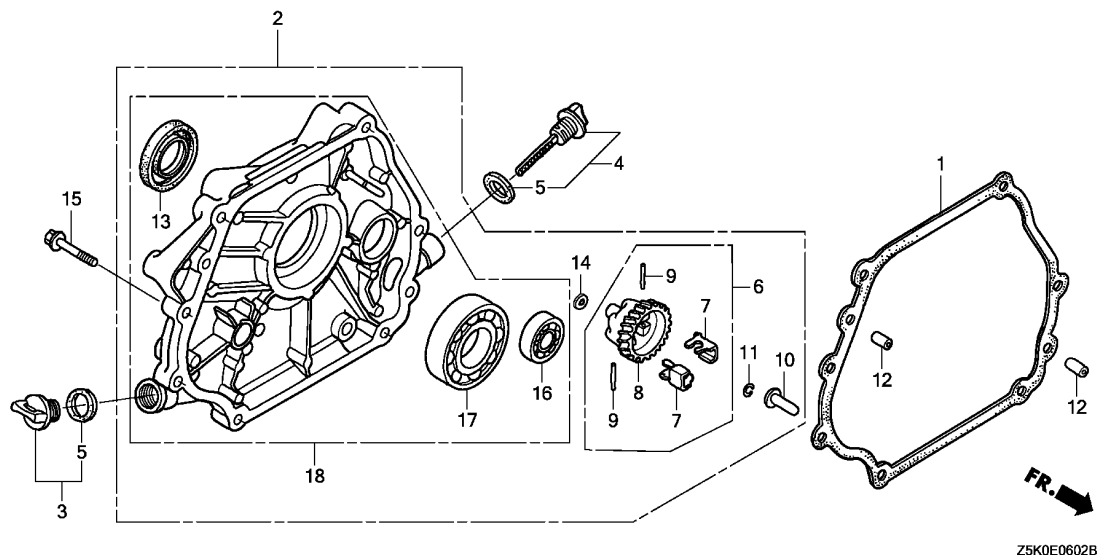
E15



Ref. No.	Part No.	Description	Reqd. QTY				Serial No.	Parts catalogue code
			GX 270	GX 270	GX 270	GX 270		

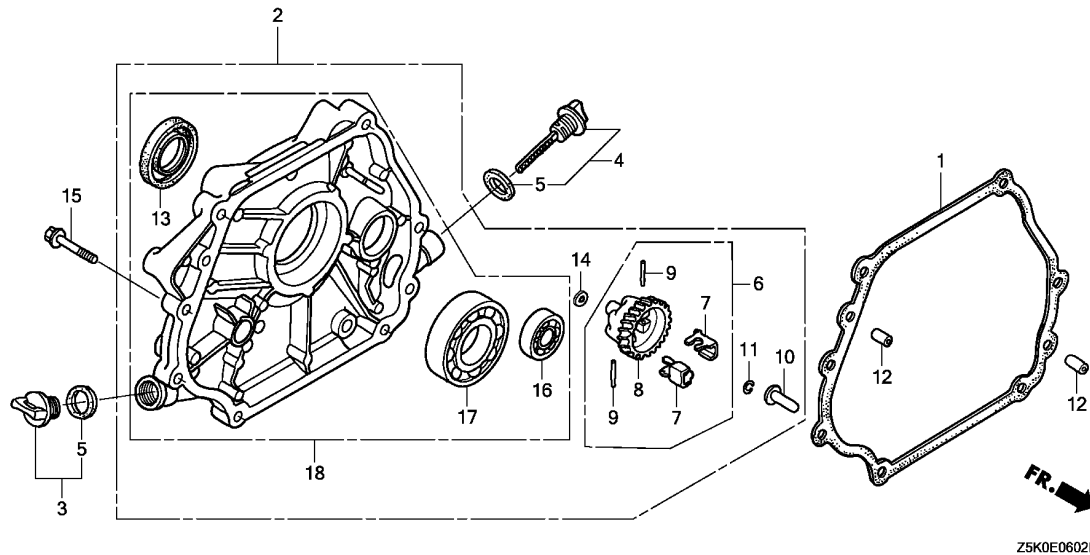
19)	15625-ZE1-003	PACKING, OIL FILLER CAP .....	1	-	-	-	HKS8
	15625-Z0T-800	.....	-	1	-	-	HA2,HEA2,HKS8,HX26,HX8,HXQ4,LXQ4,LXU

2



Ref. No.	L.O.N. (Relative ref. Number)	Description	F.R.T.
----------	-------------------------------	-------------	--------

Ref. No.	Part No.	Description	Reqd. QTY				Serial No.	Parts catalogue code
			GX 270 UT	GX 270 UT2	GX 270 RT	GX 270 RT2		
1	11381-ZE2-801	PACKING, CASE COVER .....	1	-	1	-	-----	PA2,PAE2,QA2,QA26,QA4,QAE2,QAE6,QAQ4,QAR2,QAW,QSC9,QXB6,RA2
	11381-Z5K-000	.....	-	1	-	1	-----	RSC2,VA2,VDE2,VNT2,VW12,VWA2,VWN2
		.....					-----	PA2,PAE2,QA2,QA26,QA4,QAE2,QAQ4,QAR2,QAW,QSC9,QXB6,RA2,RSC2
		.....					-----	SAX4,VA2,VDE2,VNT2,WMT8
2	11400-Z1D-600	COVER ASSY., CRANKCASE .....	1	1	1	1	-----	PA2,PAE2,QA2,QA26,QA4,QAE2,QAE6,QAQ4,QAR2,QAW,QSC9,QXB6,VA2
	11400-Z8S-000	.....	1	1	1	1	-----	VDE2,VNT2,VW12,VWN2
	11400-ZE2-603	.....	1	-	1	-	-----	RA2,RSC2,SAX4
	11300-ZE2-632	.....	-	1	-	-	-----	VWA2
3	15600-Z0T-820	CAP ASSY., OIL FILLER .....	1	1	1	1	-----	WMT8
		.....					-----	PA2,PAE2,QA2,QA26,QA4,QAE2,QAE6,QAQ4,QAR2,QAW,QSC9,QXB6,QZA2
		.....					-----	QZAV,RA2,RSC2,SAX4,VA2,VDE2,VNT2,VW12,VWA2,VWN2,WMT8
4	15600-Z1C-000	CAP ASSY., OIL FILLER .....	1	1	1	1	-----	PA2,PAE2,QA2,QA26,QA4,QAE2,QAE6,QAQ4,QAR2,QAW,QSC9,QXB6,QZA2
		.....					-----	QZAV,RA2,RSC2,SAX4,VA2,VDE2,VNT2,VW12,VWA2,VWN2,WMT8
5	15625-Z0T-800	PACKING, OIL FILLER CAP .....	2	2	2	2	-----	PA2,PAE2,QA2,QA26,QA4,QAE2,QAE6,QAQ4,QAR2,QAW,QSC9,QXB6,QZA2
		.....					-----	QZAV,RA2,RSC2,SAX4,VA2,VDE2,VNT2,VW12,VWA2,VWN2,WMT8
6	16510-ZE2-811	GOVERNOR ASSY. ....	1	1	1	1	-----	PA2,PAE2,QA2,QA26,QA4,QAE2,QAE6,QAQ4,QAR2,QAW,QSC9,QXB6,RA2
	16510-ZE2-000	.....	-	1	-	-	-----	RSC2,SAX4,VA2,VDE2,VNT2,VW12,VWA2,VWN2
		.....					-----	WMT8
7	16511-ZE2-000	WEIGHT, GOVERNOR .....	2	2	2	2	-----	PA2,PAE2,QA2,QA26,QA4,QAE2,QAE6,QAQ4,QAR2,QAW,QSC9,QXB6,RA2
		.....					-----	RSC2,SAX4,VA2,VDE2,VNT2,VW12,VWA2,VWN2,WMT8
8	16512-ZE2-811	HOLDER, GOVERNOR WEIGHT .....	1	1	1	1	-----	PA2,PAE2,QA2,QA26,QA4,QAE2,QAE6,QAQ4,QAR2,QAW,QSC9,QXB6,RA2
	16512-ZE2-000	.....	-	1	-	-	-----	RSC2,SAX4,VA2,VDE2,VNT2,VW12,VWA2,VWN2
		.....					-----	WMT8
9	16513-ZE2-000	PIN, GOVERNOR WEIGHT .....	2	2	2	2	-----	PA2,PAE2,QA2,QA26,QA4,QAE2,QAE6,QAQ4,QAR2,QAW,QSC9,QXB6,RA2
		.....					-----	RSC2,SAX4,VA2,VDE2,VNT2,VW12,VWA2,VWN2,WMT8
10	16531-Z0A-000	SLIDER, GOVERNOR .....	1	1	1	1	-----	PA2,PAE2,QA2,QA26,QA4,QAE2,QAE6,QAQ4,QAR2,QAW,QSC9,QXB6,RA2
		.....					-----	RSC2,SAX4,VA2,VDE2,VNT2,VW12,VWA2,VWN2,WMT8



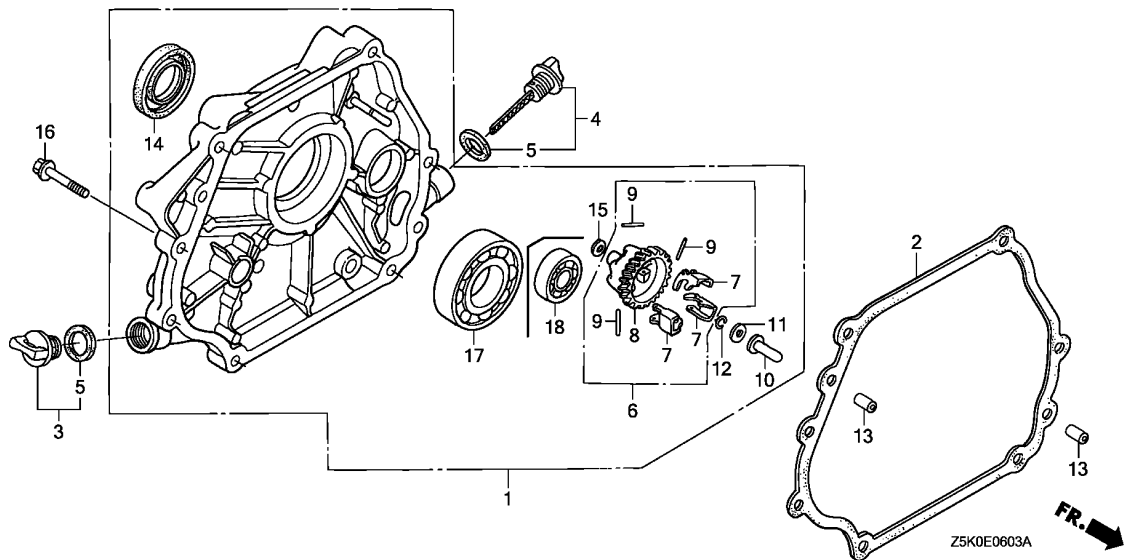
Ref. No.	Part No.	Description	Reqd. QTY				Serial No.	Parts catalogue code
			GX 270 UT	GX 270 UT2	GX 270 RT	GX 270 RT2		
11	90602-ZE1-000	CLIP, GOVERNOR HOLDER .....	1	1	1	1	-----	PA2,PAE2,QA2,QA26,QA4,QAE2,QAE6,QAQ4,QAR2,QAW,QSC9,QXB6,RA2,RSC2,SAX4,VA2,VDE2,VNT2,VW12,VWA2,VWN2,WMT8
12	90701-HC4-000	DOWEL PIN, 8X12 .....	2	2	2	2	-----	PA2,PAE2,QA2,QA26,QA4,QAE2,QAE6,QAQ4,QAR2,QAW,QSC9,QXB6,QZA2,QZAV,RA2,RSC2,SAX4,VA2,VDE2,VNT2,VW12,VWA2,VWN2,WMT8
13	91201-Z1D-003	OIL SEAL, 30X46X8 .....	1	1	1	1	-----	PA2,PAE2,QA2,QA26,QA4,QAE2,QAE6,QAQ4,QAR2,QAW,QSC9,QXB6,QZA2,QZAV,RA2,RSC2,SAX4,VA2,VDE2,VNT2,VW12,VWN2
	91201-890-003	.....	1	-	1	-	-----	VWA2
	91201-889-003	OIL SEAL, 30X45X8 .....	-	1	-	-	-----	WMT8
14	94101-06800	WASHER, PLAIN, 6MM .....	1	1	1	1	-----	PA2,PAE2,QA2,QA26,QA4,QAE2,QAE6,QAQ4,QAR2,QAW,QSC9,QXB6,RA2,RSC2,SAX4,VA2,VDE2,VNT2,VW12,VWA2,VWN2,WMT8
15	95701-08035-00	BOLT, FLANGE, 8X35 .....	7	7	7	7	-----	PA2,PAE2,QA2,QA26,QA4,QAE2,QAE6,QAQ4,QAR2,QAW,QSC9,QXB6,QZA2,QZAV,RA2,RSC2,SAX4,VA2,VDE2,VNT2,VW12,VWA2,VWN2,WMT8
16	96100-62020-00	BEARING, RADIAL BALL, 6202 ..	1	1	1	1	-----	PA2,PAE2,QA2,QA26,QA4,QAE2,QAE6,QAQ4,QAR2,QAW,QSC9,QXB6,QZA2,QZAV,RA2,RSC2,SAX4,VA2,VDE2,VNT2,VW12,VWA2,VWN2
17	96100-62060-00	BEARING, RADIAL BALL, 6206 ..	1	1	1	1	-----	PA2,PAE2,QA2,QA26,QA4,QAE2,QAE6,QAQ4,QAR2,QAW,QSC9,QXB6,QZA2,QZAV,RA2,RSC2,SAX4,VA2,VDE2,VNT2,VW12,VWA2,VWN2,WMT8
18	11300-Z5K-W60	COVER ASSY., CRANKCASE .....	-	1	-	-	-----	QZA2,QZAV



E-6-3

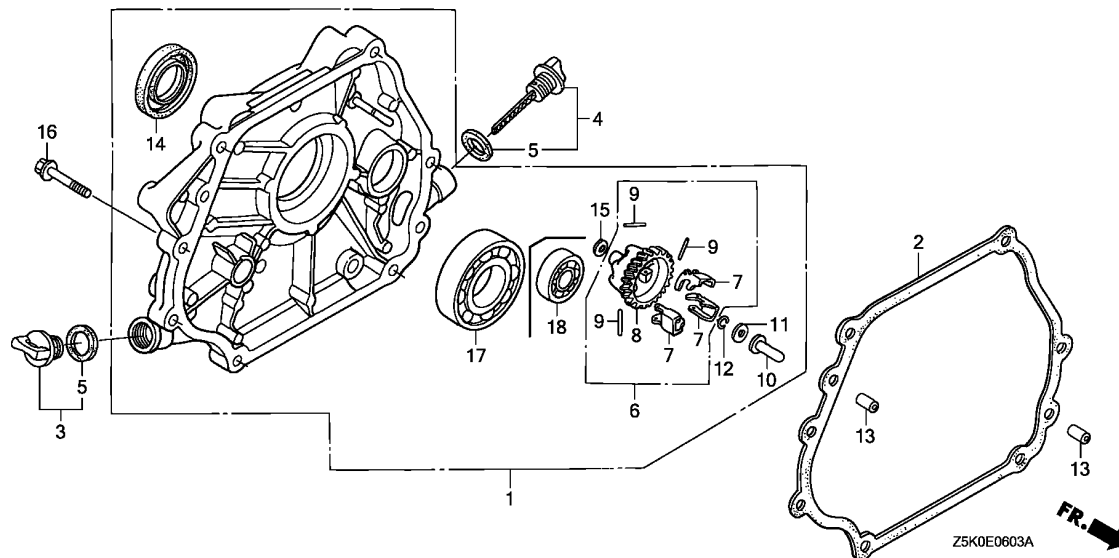
CRANKCASE COVER(4)

F 2



Ref. L.O.N. (Relative ref. Number) F.R.T.  
No. Description

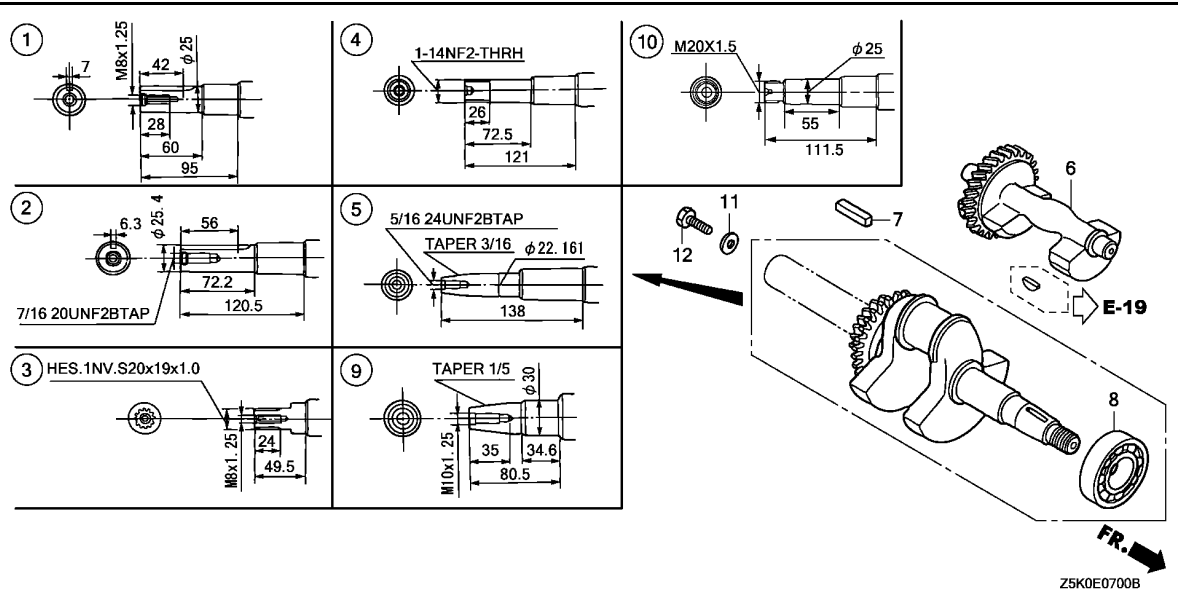
Ref. No.	Part No.	Description	Reqd. QTY				Serial No.	Parts catalogue code
			GX 270 UT	GX 270 UT2	GX 270 RT	GX 270 RT2		
1	11300-Z1D-820	COVER ASSY., CRANKCASE	1	1	1	-	VPE2, VPE4, VPE5, VXE7, VXE9	
	11300-ZK9-U60	.....	1	1	1	-	VPX4, VPX5, VPX9, VXB7, VXB9	
	11400-Z1D-670	.....	-	-	1	1	VKB2	
	11300-Z1D-820	.....	-	-	-	1	VKE4, VKX4, VMT2, VPE4, VPE5, VPX4, VPX5, VS37	
2	11381-ZE2-801	PACKING, CASE COVER	1	-	1	-	VKB2, VPE2, VPE4, VPE5, VPX4, VPX5, VPX9, VXB7, VXB9, VXE7, VXE9	
	11381-Z5K-000	.....	-	1	-	1	VKB2, VKE4, VKX4, VMT2, VPE4, VPE5, VPX4, VPX5, VS37, VXB7, VXE7, VXE9	
3	15600-Z0T-820	CAP ASSY., OIL FILLER	1	1	1	-	VKB2, VPE2, VPE4, VPE5, VPX4, VPX5, VPX9, VXB7, VXB9, VXE7, VXE9	
	15600-Z1C-000	.....	-	-	-	1	VKB2, VKE4, VKX4, VMT2, VPE4, VPE5, VPX4, VPX5, VS37	
4	15600-Z1C-000	CAP ASSY., OIL FILLER	1	1	1	-	VKB2, VPE2, VPE4, VPE5, VPX4, VPX5, VPX9, VXB7, VXB9, VXE7, VXE9	
	15625-Z0T-800	.....	-	-	-	1	VKB2, VKE4, VKX4, VMT2, VPE4, VPE5, VPX4, VPX5, VS37	
5	15625-Z0T-800	PACKING, OIL FILLER CAP	2	2	2	-	VKB2, VPE2, VPE4, VPE5, VPX4, VPX5, VPX9, VXB7, VXB9, VXE7, VXE9	
		.....	-	-	-	2	VKB2, VKE4, VKX4, VMT2, VPE4, VPE5, VPX4, VPX5, VS37	
6	16510-ZE3-000	GOVERNOR ASSY.	1	1	1	-	VKB2, VPE2, VPE4, VPE5, VPX4, VPX5, VPX9, VXB7, VXB9, VXE7, VXE9	
		.....	-	-	-	1	VKB2, VKE4, VKX4, VMT2, VPE4, VPE5, VPX4, VPX5, VS37	
7	16511-ZE8-000	WEIGHT, GOVERNOR	3	3	3	-	VKB2, VPE2, VPE4, VPE5, VPX4, VPX5, VPX9, VXB7, VXB9, VXE7, VXE9	
		.....	-	-	-	3	VKB2, VKE4, VKX4, VMT2, VPE4, VPE5, VPX4, VPX5, VS37	
8	16512-ZE3-000	HOLDER, GOVERNOR WEIGHT	1	1	1	-	VKB2, VPE2, VPE4, VPE5, VPX4, VPX5, VPX9, VXB7, VXB9, VXE7, VXE9	
		.....	-	-	-	1	VKB2, VKE4, VKX4, VMT2, VPE4, VPE5, VPX4, VPX5, VS37	
9	16513-ZE2-000	PIN, GOVERNOR WEIGHT	3	3	3	-	VKB2, VPE2, VPE4, VPE5, VPX4, VPX5, VPX9, VXB7, VXB9, VXE7, VXE9	
		.....	-	-	-	3	VKB2, VKE4, VKX4, VMT2, VPE4, VPE5, VPX4, VPX5, VS37	
10	16531-Z0A-000	SLIDER, GOVERNOR	1	1	1	-	VKB2, VPE2, VPE4, VPE5, VPX4, VPX5, VPX9, VXB7, VXB9, VXE7, VXE9	
		.....	-	-	-	1	VKB2, VKE4, VKX4, VMT2, VPE4, VPE5, VPX4, VPX5, VS37	
11	90473-147-000	WASHER, 6X16	1	1	1	-	VKB2, VPE2, VPE4, VPE5, VPX4, VPX5, VPX9, VXB7, VXB9, VXE7, VXE9	
		.....	-	-	-	1	VKB2, VKE4, VKX4, VMT2, VPE4, VPE5, VPX4, VPX5, VS37	
12	90602-ZE1-000	CLIP, GOVERNOR HOLDER	1	1	1	-	VKB2, VPE2, VPE4, VPE5, VPX4, VPX5, VPX9, VXB7, VXB9, VXE7, VXE9	
		.....	-	-	-	1	VKB2, VKE4, VKX4, VMT2, VPE4, VPE5, VPX4, VPX5, VS37	



Ref. No.	Part No.	Description	Reqd. QTY				Serial No.	Parts catalogue code
			GX 270 UT	GX 270 UT2	GX 270 RT	GX 270 RT2		
13	90701-HC4-000	DOWEL PIN, 8X12 .....	2	2	2	-	VKB2,VPE2,VPE4,VPE5,VPX4,VPX5,VPX9,VXB7,VXB9,VXE7,VXE9	
14	91201-Z1D-003	OIL SEAL, 30X46X8 .....	-	-	-	2	VKB2,VKE4,VKX4,VMT2,VPE4,VPE5,VPX4,VPX5,VS37	
	91201-890-003	.....	1	1	1	-	VKB2,VPE2,VPE4,VPE5,VXE7,VXE9	
	91201-Z1D-003	.....	-	-	-	1	VPX4,VPX5,VPX9,VXB7,VXB9	
15	94101-06800	WASHER, PLAIN, 6MM .....	1	1	1	-	VKB2,VKE4,VKX4,VMT2,VPE4,VPE5,VPX4,VPX5,VS37	
			-	-	-	1	VKB2,VPE2,VPE4,VPE5,VPX4,VPX5,VPX9,VXB7,VXB9,VXE7,VXE9	
16	95701-08035-00	BOLT, FLANGE, 8X35 .....	7	7	7	-	VKB2,VPE2,VPE4,VPE5,VPX4,VPX5,VPX9,VXB7,VXB9,VXE7,VXE9	
			-	-	-	7	VKB2,VKE4,VKX4,VMT2,VPE4,VPE5,VPX4,VPX5,VS37	
17	96100-62060-00	BEARING, RADIAL BALL, 6206 ..	1	1	1	-	VKB2,VPE2,VPE4,VPE5,VPX4,VPX5,VPX9,VXB7,VXB9,VXE7,VXE9	
			-	-	-	1	VKB2,VKE4,VKX4,VMT2,VPE4,VPE5,VPX4,VPX5,VS37	
18	96100-62020-00	BEARING, RADIAL BALL, 6202 ..	-	-	1	1	VKB2	

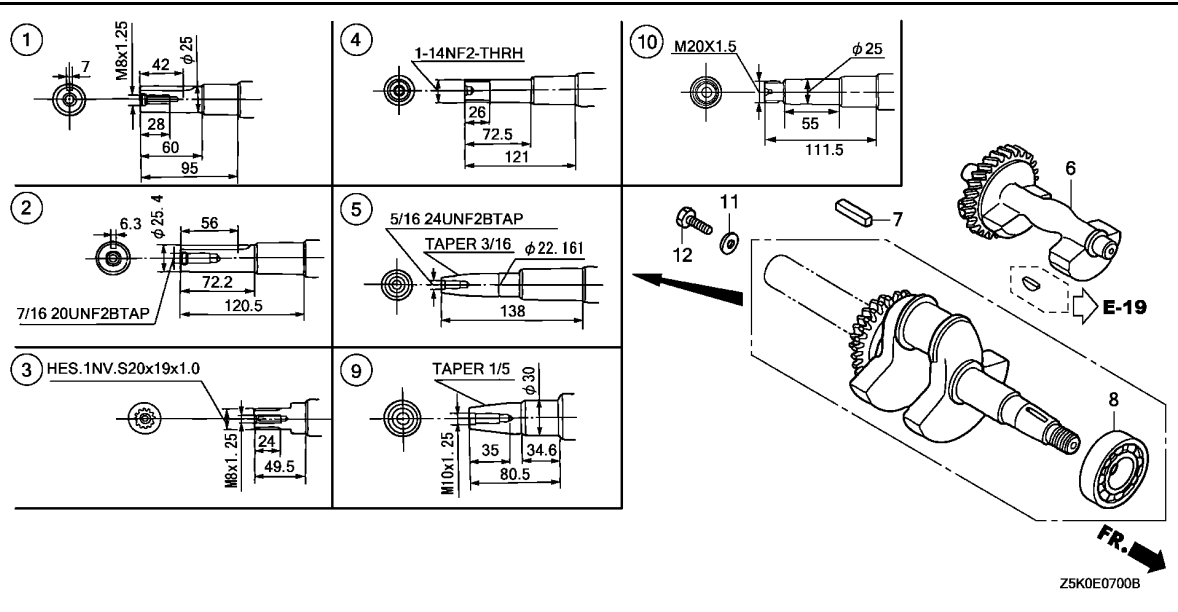






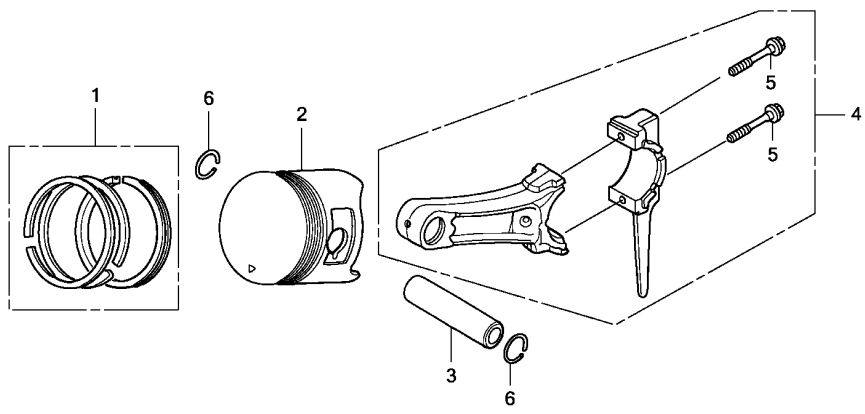
Ref. No.	L.O.N. (Relative ref. Number)	Description	F.R.T.
----------	-------------------------------	-------------	--------

Ref. No.	Part No.	Description	Reqd. QTY				Serial No.	Parts catalogue code
			GX 270 UT	GX 270 UT2	GX 270 RT	GX 270 RT2		
1	13310-ZH9-801	CRANKSHAFT COMP. ....	1	1	1	1	RA2,RSC2,SAX4	
	13310-ZH9-010	.....	1	1	-	1	RDG4, RH26, RHE2, RHE4, RHE5, RHG4, RHQ4, RHQ5, RXQ4, RXU, SHQ4, SHQ5, SMC2, SMC4, SME1, SME6, SMX2, SWA2, SWA4, SWC4, SWS4, SXE4, SXE8, SXQ4, SXU	
	13310-ZK9-010	.....	1	1	-	-	SXB7, SXB9	
2	13310-ZH9-811	CRANKSHAFT COMP. ....	1	1	-	-	QA2, QA26, QA4, QAE2, QAE6, QAQ4, QAR2, QAW, QSC9, QXB6, QZA2, QZAV	
	13310-ZH9-601	.....	1	1	-	-	QAG2, QE, QH26, QHB4, QHQ4, QKE4, QME2, QSE8, QWA4, QWH2, QXC2, QXC4, QXC6, QXC9, QXCU, QXE4, QXE8, QXEM, QXQ4, QXU, QXUZ	
	13310-ZK9-601	.....	1	1	-	-	QXB2, QXB7, QXB9	
	13310-Z5K-W10	.....	-	1	-	-	QZK4, QZM2, QZMH, QZX4, QZXR	
3	13310-ZH9-821	CRANKSHAFT COMP. ....	1	1	-	-	HA2, HEA2, HEA8, HKS8	
	13310-ZH9-611	.....	1	1	-	-	HX26, HX8, HXQ4, LXE8, LXQ4, LXU	
4	13310-ZH9-831	CRANKSHAFT COMP. ....	1	1	-	-	PA2, PAE2	
	13310-ZH9-651	.....	1	1	-	-	PX26, PXE8, PXED, PXU	
	13310-Z5K-W40	.....	-	1	-	-	PZX8	
5	13310-ZH9-841	CRANKSHAFT COMP. ....	1	1	1	-	VA2, VDE2, VKB2, VNT2, VPE2, VPE4, VPE5, VPX4, VPX5, VW12, VWA2, VWN2	
	13310-ZH9-671	.....	1	1	1	-	VAG2, VKE4, VKX4, VNT4, VX2, VXE6, VXQ4, VXU1	
	13310-ZK9-671	.....	1	1	1	-	VN17, VS37, VS39, VSD7, VSD9, VSH7	
	13310-ZK9-801	.....	1	1	1	-	VPX9, VXB7, VXB9, VXE7, VXE9, VZX7	
	13310-ZH9-841	.....	-	-	-	1	VDE2, VKB2, VKE4, VKX4, VMT2, VNT2, VPE4, VPE5, VPX4, VPX5	
	13310-ZK9-671	.....	-	-	-	1	VN17	
	13310-ZK9-801	.....	-	-	-	1	VS37	
	13310-ZH9-671	.....	-	-	-	1	VWT4	
6	13351-ZE2-010	WEIGHT, BALANCER .....	1	1	1	1	HA2, HEA2, HEA8, HKS8, PA2, PAE2, QA2, QA26, QA4, QAE2, QAE6, QAQ4, QAR2, QAW, QSC9, QXB6, QZA2, QZAV, RA2, RSC2, SAX4, VA2, VDE2, VKB2, VNT2, VW12, VWA2, VWN2	



Ref. No.	Part No.	Description	Reqd. QTY				Serial No.	Parts catalogue code
			GX 270	GX 270	GX 270	GX 270		
7	90745-ZE2-600	KEY, 6.3X6.3X43	1	1	-	-	QA2,QA26,QA4, QAE2,QAE6,QAG2,QAQ4, QAW, QE, QH26, QHQ4, QKE4, QME2, QSC9, QSE8, QWA4, QWH2, QXB2, QXB7, QXB9, QXC2, QXC4, QXC6, QXC9, QXCU, QXE4, QXE8, QXEM, QXQ4, QXU, QXUZ, QZA2, QZAV, QZK4, QZM2, QZMH, QZX4, QZXR	
	90741-889-810	KEY, 7X7X33 (YELLOW) (O.S.)	(1)	-	-	-	SHQ4, SMC2, SMC4, SME1, SME6, SWA2, SWA4, SWC4, SWS4, SXB7, SXB9, SXE4, SXE8, SXQ4, SXU, VKQ4	
	90741-805-000	KEY, 7X7X33	1	-	-	-	SHQ4, SMC4, SME1, SME6, SWA2, SWA4, SWC4, SWS4, SXB7, SXB9, SXE4, SXE8, SXQ4, SXU, VKQ4	
	90741-889-810	KEY, 7X7X33 (YELLOW) (O.S.)	-	(1)	-	-	RA2, SAX4, SHQ4, SHQ5, SMC4, SME1, SME6, SWA4, SWC4, SWS4, SXB7, SXB9, SXE4, SXQ4, SXU, VKQ4	
	90741-805-000	KEY, 7X7X33	-	1	-	-	SAX4, SHQ4, SHQ5, SMC4, SMX2, SWA4, SWC4, SWS4, SXB7, SXB9, SXE4, SXQ4, SXU, VKQ4	
8	91001-ZH9-003	BEARING, RADIAL BALL (6206 SH)	1	1	1	1		
9	13310-ZH9-701	CRANKSHAFT COMP.	1	1	-	-	VKQ4, VMA4, VME4	
10	13310-ZH9-631	CRANKSHAFT COMP.	-	1	-	-	WKT, WMT8	
11	90534-706-010	WASHER, LOCK, 8.5X35X4.5	-	1	-	-	SMX2	
12	92101-08025-0A	BOLT, HEX., 8X25	-	1	-	-	SMX2	



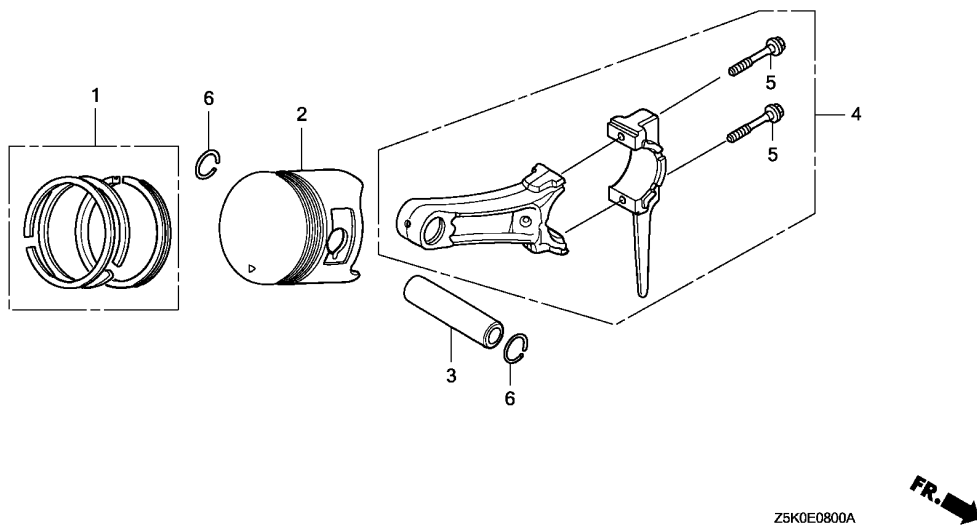


Z5K0E0800A

Ref. No.	Part No.	Description	Reqd. QTY				Serial No.	Parts catalogue code
			GX 270 UT	GX 270 UT2	GX 270 RT	GX 270 RT2		
1	13010-Z5H-004	RING SET, PISTON(STD.) (TEIKOKU)	1	-	-	-	HA2,HEA2,HEA8,HKS8,HX26,HX8,HXQ4,LXQ4,PA2,PAE2,PX26,PXED,QA4,QAE2,QAE6,QAQ4,QAR2,QAW,QE,QHB4,QKE4,QME2,QSC9,QWA4,QWH2,QXB2,QXB6,QXB9,QXC2,QXC4,QXC6,QXCU,QXE4,QXUZ,RA2,RH26,RHE2,RHE4,RHG4,RHQ4,RXQ4,RXU,SMC2,SMC4,SME1,SME6,SWA2,SWA4,SWC4,SWS4,SXB7,SXB9,SXE4,VA2,VKQ4,VMA4,VME4,VSD9,VXE6,VXE7,VXE9	
	13011-Z5H-004	RING SET, PISTON(0.25) (TEIKOKU)	(1)	-	-	-	HA2,HEA2,HEA8,HKS8,HX26,HX8,HXQ4,LXQ4,PA2,PAE2,PX26,PXED,QA4,QAE2,QAE6,QAQ4,QAR2,QAW,QE,QHB4,QKE4,QME2,QSC9,QWA4,QWH2,QXB2,QXB6,QXB9,QXC2,QXC4,QXC6,QXCU,QXE4,QXUZ,RA2,RH26,RHE2,RHE4,RHG4,RHQ4,RXQ4,RXU,SMC2,SMC4,SME1,SME6,SWA2,SWA4,SWC4,SWS4,SXB7,SXB9,SXE4,VA2,VKQ4,VMA4,VME4,VSD9,VXE6,VXE7,VXE9	
	13012-Z5H-004	RING SET, PISTON(0.50) (TEIKOKU)	(1)	-	-	-	HA2,HEA2,HEA8,HKS8,HX26,HX8,HXQ4,LXQ4,PA2,PAE2,PX26,PXED,QA4,QAE2,QAE6,QAQ4,QAR2,QAW,QE,QHB4,QKE4,QME2,QSC9,QWA4,QWH2,QXB2,QXB6,QXB9,QXC2,QXC4,QXC6,QXCU,QXE4,QXUZ,RA2,RH26,RHE2,RHE4,RHG4,RHQ4,RXQ4,RXU,SMC2,SMC4,SME1,SME6,SWA2,SWA4,SWC4,SWS4,SXB7,SXB9,SXE4,VA2,VKQ4,VMA4,VME4,VSD9,VXE6,VXE7,VXE9	
	13013-Z5H-004	RING SET, PISTON(0.75) (TEIKOKU)	(1)	-	-	-	HA2,HEA2,HEA8,HKS8,HX26,HX8,HXQ4,LXQ4,PA2,PAE2,PX26,PXED,QA4,QAE2,QAE6,QAQ4,QAR2,QAW,QE,QHB4,QKE4,QME2,QSC9,QWA4,QWH2,QXB2,QXB6,QXB9,QXC2,QXC4,QXC6,QXCU,QXE4,QXUZ,RA2,RH26,RHE2,RHE4,RHG4,RHQ4,RXQ4,RXU,SMC2,SMC4,SME1,SME6,SWA2,SWA4,SWC4,SWS4,SXB7,SXB9,SXE4,VA2,VKQ4,VMA4,VME4,VSD9,VXE6,VXE7,VXE9	
	13010-Z5K-003	RING SET, PISTON(STD.) (RIKEN)	1	-	-	-	PXED,QA4,QHB4,QXB2,QXCU,QXUZ	
	13011-Z5K-003	RING SET, PISTON(0.25) (RIKEN)	(1)	-	-	-	PXED,QA4,QHB4,QXB2,QXCU,QXUZ	
	13012-Z5K-003	RING SET, PISTON(0.50) (RIKEN)	(1)	-	-	-	PXED,QA4,QHB4,QXB2,QXCU,QXUZ	
	13013-Z5K-003	RING SET, PISTON(0.75) (RIKEN)	(1)	-	-	-	PXED,QA4,QHB4,QXB2,QXCU,QXUZ	

Ref. No.	Part No.	Description	Reqd. QTY				Serial No.	Parts catalogue code
			GX 270 UT	GX 270 UT2	GX 270 RT	GX 270 RT2		
(1)	13010-Z1D-801	RING SET, PISTON(STD.) (RIKEN)	1	-	-	-	1149269	LXE8,LXU,PXE8,PXU,QA2,QA26,QAG2,QH26,QHQ4,QSE8,QXB7,QXC9,QXE8,QXQ4,QXU,SHQ4,SXE8,SXQ4,SXU,VKX4,VN17,VPX4,VPX5,VPX9,VS37,VS39,VSD7,VSH7,VWA2,VX2,VXB7,VXB9,VXQ4,VXU1
	13011-Z1D-801	RING SET, PISTON(O.25) (RIKEN)	(1)	-	-	-	1149269	LXE8,LXU,PXE8,PXU,QA2,QA26,QAG2,QH26,QHQ4,QSE8,QXB7,QXC9,QXE8,QXQ4,QXU,SHQ4,SXE8,SXQ4,SXU,VKX4,VN17,VPX4,VPX5,VPX9,VS37,VS39,VSD7,VSH7,VWA2,VX2,VXB7,VXB9,VXQ4,VXU1
	13012-Z1D-801	RING SET, PISTON(O.50) (RIKEN)	(1)	-	-	-	1149269	LXE8,LXU,PXE8,PXU,QA2,QA26,QAG2,QH26,QHQ4,QSE8,QXB7,QXC9,QXE8,QXQ4,QXU,SHQ4,SXE8,SXQ4,SXU,VKX4,VN17,VPX4,VPX5,VPX9,VS37,VS39,VSD7,VSH7,VWA2,VX2,VXB7,VXB9,VXQ4,VXU1
	13013-Z1D-801	RING SET, PISTON(O.75) (RIKEN)	(1)	-	-	-	1149269	LXE8,LXU,PXE8,PXU,QA2,QA26,QAG2,QH26,QHQ4,QSE8,QXB7,QXC9,QXE8,QXQ4,QXU,SHQ4,SXE8,SXQ4,SXU,VKX4,VN17,VPX4,VPX5,VPX9,VS37,VS39,VSD7,VSH7,VWA2,VX2,VXB7,VXB9,VXQ4,VXU1
	13010-Z5H-004	RING SET, PISTON(STD.) (TEIKOKU)	1	-	-	-	1149270	LXE8,LXU,PXE8,PXU,QA2,QA26,QAG2,QH26,QHQ4,QSE8,QXB7,QXC9,QXE8,QXQ4,QXU,SHQ4,SXE8,SXQ4,SXU,VKX4,VN17,VPX4,VPX5,VPX9,VS37,VS39,VSD7,VSH7,VWA2,VX2,VXB7,VXB9,VXQ4,VXU1
	13010-Z5K-003	RING SET, PISTON(STD.) (RIKEN)	1	-	-	-	1149270	LXE8,LXU,PXE8,PXU,QA2,QA26,QAG2,QH26,QHQ4,QSE8,QXB7,QXC9,QXE8,QXQ4,QXU,SHQ4,SXE8,SXQ4,SXU,VKX4,VN17,VPX4,VPX5,VPX9,VS37,VS39,VSD7,VSH7,VWA2,VX2,VXB7,VXB9,VXQ4,VXU1
	13011-Z5H-004	RING SET, PISTON(O.25) (TEIKOKU)	(1)	-	-	-	1149270	LXE8,LXU,PXE8,PXU,QA2,QA26,QAG2,QH26,QHQ4,QSE8,QXB7,QXC9,QXE8,QXQ4,QXU,SHQ4,SXE8,SXQ4,SXU,VKX4,VN17,VPX4,VPX5,VPX9,VS37,VS39,VSD7,VSH7,VWA2,VX2,VXB7,VXB9,VXQ4,VXU1
	13011-Z5K-003	RING SET, PISTON(O.25) (RIKEN)	(1)	-	-	-	1149270	LXE8,LXU,PXE8,PXU,QA2,QA26,QAG2,QH26,QHQ4,QSE8,QXB7,QXC9,QXE8,QXQ4,QXU,SHQ4,SXE8,SXQ4,SXU,VKX4,VN17,VPX4,VPX5,VPX9,VS37,VS39,VSD7,VSH7,VWA2,VX2,VXB7,VXB9,VXQ4,VXU1
	13012-Z5H-004	RING SET, PISTON(O.50) (TEIKOKU)	(1)	-	-	-	1149270	LXE8,LXU,PXE8,PXU,QA2,QA26,QAG2,QH26,QHQ4,QSE8,QXB7,QXC9,QXE8,QXQ4,QXU,SHQ4,SXE8,SXQ4,SXU,VKX4,VN17,VPX4,VPX5,VPX9,VS37,VS39,VSD7,VSH7,VWA2,VX2,VXB7,VXB9,VXQ4,VXU1
	13012-Z5K-003	RING SET, PISTON(O.50) (RIKEN)	(1)	-	-	-	1149270	LXE8,LXU,PXE8,PXU,QA2,QA26,QAG2,QH26,QHQ4,QSE8,QXB7,QXC9,QXE8,QXQ4,QXU,SHQ4,SXE8,SXQ4,SXU,VKX4,VN17,VPX4,VPX5,VPX9,VS37,VS39,VSD7,VSH7,VWA2,VX2,VXB7,VXB9,VXQ4,VXU1
	13013-Z5H-004	RING SET, PISTON(O.75) (TEIKOKU)	(1)	-	-	-	1149270	LXE8,LXU,PXE8,PXU,QA2,QA26,QAG2,QH26,QHQ4,QSE8,QXB7,QXC9,QXE8,QXQ4,QXU,SHQ4,SXE8,SXQ4,SXU,VKX4,VN17,VPX4,VPX5,VPX9,VS37,VS39,VSD7,VSH7,VWA2,VX2,VXB7,VXB9,VXQ4,VXU1
	13013-Z5K-003	RING SET, PISTON(O.75) (RIKEN)	(1)	-	-	-	1149270	LXE8,LXU,PXE8,PXU,QA2,QA26,QAG2,QH26,QHQ4,QSE8,QXB7,QXC9,QXE8,QXQ4,QXU,SHQ4,SXE8,SXQ4,SXU,VKX4,VN17,VPX4,VPX5,VPX9,VS37,VS39,VSD7,VSH7,VWA2,VX2,VXB7,VXB9,VXQ4,VXU1
	13010-Z5K-004	RING SET, PISTON(STD.) (TEIKOKU)	-	1	-	1		
	13011-Z5K-004	RING SET, PISTON(O.25) (TEIKOKU)	-	(1)	-	(1)		
	13012-Z5K-004	RING SET, PISTON(O.50) (TEIKOKU)	-	(1)	-	(1)		
	13013-Z5K-004	RING SET, PISTON(O.75) (TEIKOKU)	-	(1)	-	(1)		
	13010-Z5H-004	RING SET, PISTON(STD.) (TEIKOKU)	-	-	1	-		
	13011-Z5H-004	RING SET, PISTON(O.25) (TEIKOKU)	-	-	(1)	-		
	13012-Z5H-004	RING SET, PISTON(O.50) (TEIKOKU)	-	-	(1)	-		
	13013-Z5H-004	RING SET, PISTON(O.75) (TEIKOKU)	-	-	(1)	-		
	13010-Z5K-003	RING SET, PISTON(STD.) (RIKEN)	-	-	1	-	VKX4,VN17,VPX4,VPX5,VPX9,VS37,VS39,VSH7,VWA2	
	13011-Z5K-003	RING SET, PISTON(O.25) (RIKEN)	-	-	(1)	-	VKX4,VN17,VPX4,VPX5,VPX9,VS37,VS39,VSH7,VWA2	





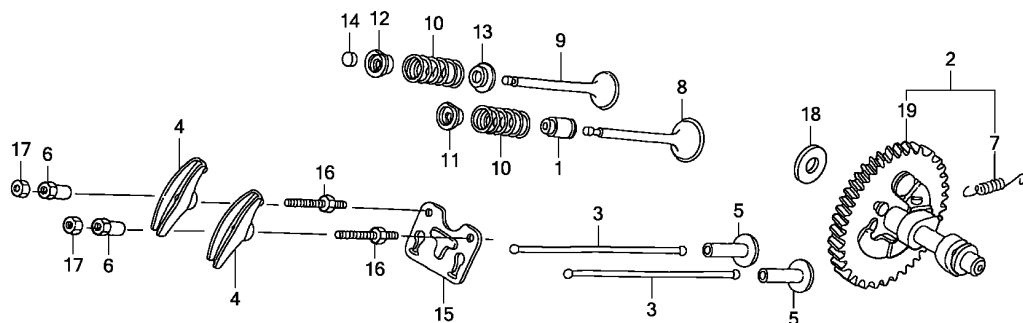
Z5K0E0800A



Ref. No.	Part No.	Description	Reqd. QTY				Serial No.	Parts catalogue code
			GX 270 UT	GX 270 UT2	GX 270 RT	GX 270 RT2		
(1)	13012-Z5K-003	RING SET, PISTON(0.50) (RIKEN)	-	-	(1)	-	VKX4, VN17, VPX4, VPX5, VPX9, VS37, VS39, VSH7, VWA2	
	13013-Z5K-003	RING SET, PISTON(0.75) (RIKEN)	-	-	(1)	-	VKX4, VN17, VPX4, VPX5, VPX9, VS37, VS39, VSH7, VWA2	
2	13101-ZH9-010	PISTON(STD.)	1	-	-	-	HA2, HEA2, HEA8, HKS8, HX26, HX8, HXQ4, LXQ4, PA2, PAE2, PX26, PXED, QA4, QAE2, QAE6, QAQ4, QAR2, QAW, QE, QHB4, QKE4, QME2, QSC9, QWA4, QWH2, QXB2, QXB6, QXB9, QXC2, QXC4, QXC6, QXCU, QXE4, QXUZ, RA2, RH26, RHE2, RHE4, RHG4, RHQ4, RXQ4, RXU, SMC2, SMC4, SME1, SME6, SWA2, SWA4, SWC4, SWS4, SXB7, SXB9, SXE4, VA2, VKQ4, VMA4, VME4, VSD9, VXE6, VXE7, VXE9	
	13102-ZH9-010	PISTON(0.25)	(1)	-	-	-	HA2, HEA2, HEA8, HKS8, HX26, HX8, HXQ4, LXQ4, PA2, PAE2, PX26, PXED, QA4, QAE2, QAE6, QAQ4, QAR2, QAW, QE, QHB4, QKE4, QME2, QSC9, QWA4, QWH2, QXB2, QXB6, QXB9, QXC2, QXC4, QXC6, QXCU, QXE4, QXUZ, RA2, RH26, RHE2, RHE4, RHG4, RHQ4, RXQ4, RXU, SMC2, SMC4, SME1, SME6, SWA2, SWA4, SWC4, SWS4, SXB7, SXB9, SXE4, VA2, VKQ4, VMA4, VME4, VSD9, VXE6, VXE7, VXE9	
	13103-ZH9-010	PISTON(0.50)	(1)	-	-	-	HA2, HEA2, HEA8, HKS8, HX26, HX8, HXQ4, LXQ4, PA2, PAE2, PX26, PXED, QA4, QAE2, QAE6, QAQ4, QAR2, QAW, QE, QHB4, QKE4, QME2, QSC9, QWA4, QWH2, QXB2, QXB6, QXB9, QXC2, QXC4, QXC6, QXCU, QXE4, QXUZ, RA2, RH26, RHE2, RHE4, RHG4, RHQ4, RXQ4, RXU, SMC2, SMC4, SME1, SME6, SWA2, SWA4, SWC4, SWS4, SXB7, SXB9, SXE4, VA2, VKQ4, VMA4, VME4, VSD9, VXE6, VXE7, VXE9	
	13104-ZH9-010	PISTON(0.75)	(1)	-	-	-	HA2, HEA2, HEA8, HKS8, HX26, HX8, HXQ4, LXQ4, PA2, PAE2, PX26, PXED, QA4, QAE2, QAE6, QAQ4, QAR2, QAW, QE, QHB4, QKE4, QME2, QSC9, QWA4, QWH2, QXB2, QXB6, QXB9, QXC2, QXC4, QXC6, QXCU, QXE4, QXUZ, RA2, RH26, RHE2, RHE4, RHG4, RHQ4, RXQ4, RXU, SMC2, SMC4, SME1, SME6, SWA2, SWA4, SWC4, SWS4, SXB7, SXB9, SXE4, VA2, VKQ4, VMA4, VME4, VSD9, VXE6, VXE7, VXE9	
	13101-ZH9-000	PISTON(STD.)	1	-	-	-	1149269 LXE8, LXU, PXE8, PXU, QA2, QA26, QAG2, QH26, QHQ4, QSE8, QXB7, QXC9, QXE8, QXQ4, QXU, SHQ4, SXE8, SXQ4, SXU, VKX4, VN17, VPX4, VPX5, VPX9, VS37, VS39, VSD7, VSH7, VWA2, VX2, VXB7, VXB9, VXQ4, VXU1	
	13102-ZH9-000	PISTON(0.25)	(1)	-	-	-	1149269 LXE8, LXU, PXE8, PXU, QA2, QA26, QAG2, QH26, QHQ4, QSE8, QXB7, QXC9, QXE8, QXQ4, QXU, SHQ4, SXE8, SXQ4, SXU, VKX4, VN17, VPX4, VPX5, VPX9, VS37, VS39, VSD7, VSH7, VWA2, VX2, VXB7, VXB9, VXQ4, VXU1	

Ref. No.	Part No.	Description	Reqd. QTY				Serial No.	Parts catalogue code
			GX 270 UT	GX 270 UT2	GX 270 RT	GX 270 RT2		
(2)	13103-ZH9-000	PISTON(0.50) .....	(1)	-	-	-	1149269	LXE8,LXU,PXE8,PXU,QA2,QA26,QAG2,QH26,QHQ4,QSE8,QXB7,QXC9,QXE8,QXQ4,QXU,SHQ4,SXE8,SXQ4,SXU,VKX4,VN17,VPX4,VPX5,VPX9,VS37,VS39,VSD7,VSH7,VWA2,VX2,VXB7,VXB9,VXQ4,VXU1
	13104-ZH9-000	PISTON(0.75) .....	(1)	-	-	-	1149269	LXE8,LXU,PXE8,PXU,QA2,QA26,QAG2,QH26,QHQ4,QSE8,QXB7,QXC9,QXE8,QXQ4,QXU,SHQ4,SXE8,SXQ4,SXU,VKX4,VN17,VPX4,VPX5,VPX9,VS37,VS39,VSD7,VSH7,VWA2,VX2,VXB7,VXB9,VXQ4,VXU1
	13101-ZH9-010	PISTON(STD.) .....	1	-	-	-	1149270	LXE8,LXU,PXE8,PXU,QA2,QA26,QAG2,QH26,QHQ4,QSE8,QXB7,QXC9,QXE8,QXQ4,QXU,SHQ4,SXE8,SXQ4,SXU,VKX4,VN17,VPX4,VPX5,VPX9,VS37,VS39,VSD7,VSH7,VWA2,VX2,VXB7,VXB9,VXQ4,VXU1
	13102-ZH9-010	PISTON(0.25) .....	(1)	-	-	-	1149270	LXE8,LXU,PXE8,PXU,QA2,QA26,QAG2,QH26,QHQ4,QSE8,QXB7,QXC9,QXE8,QXQ4,QXU,SHQ4,SXE8,SXQ4,SXU,VKX4,VN17,VPX4,VPX5,VPX9,VS37,VS39,VSD7,VSH7,VWA2,VX2,VXB7,VXB9,VXQ4,VXU1
	13103-ZH9-010	PISTON(0.50) .....	(1)	-	-	-	1149270	LXE8,LXU,PXE8,PXU,QA2,QA26,QAG2,QH26,QHQ4,QSE8,QXB7,QXC9,QXE8,QXQ4,QXU,SHQ4,SXE8,SXQ4,SXU,VKX4,VN17,VPX4,VPX5,VPX9,VS37,VS39,VSD7,VSH7,VWA2,VX2,VXB7,VXB9,VXQ4,VXU1
	13104-ZH9-010	PISTON(0.75) .....	(1)	-	-	-	1149270	LXE8,LXU,PXE8,PXU,QA2,QA26,QAG2,QH26,QHQ4,QSE8,QXB7,QXC9,QXE8,QXQ4,QXU,SHQ4,SXE8,SXQ4,SXU,VKX4,VN17,VPX4,VPX5,VPX9,VS37,VS39,VSD7,VSH7,VWA2,VX2,VXB7,VXB9,VXQ4,VXU1
	13101-Z5K-000	PISTON(STD.) .....	-	1	-	1		
	13102-Z5K-000	PISTON(0.25) .....	-	(1)	-	(1)		
	13103-Z5K-000	PISTON(0.50) .....	-	(1)	-	(1)		
	13104-Z5K-000	PISTON(0.75) .....	-	(1)	-	(1)		
	13101-ZH9-010	PISTON(STD.) .....	-	-	1	-		
	13102-ZH9-010	PISTON(0.25) .....	-	-	(1)	-		
	13103-ZH9-010	PISTON(0.50) .....	-	-	(1)	-		
	13104-ZH9-010	PISTON(0.75) .....	-	-	(1)	-		
3	13111-ZE2-000	PIN, PISTON .....	1	-	1	-		
	13111-Z5K-000	.....	-	1	-	1		
4	13200-Z1D-000	ROD ASSY., CONNECTING (STD.) -	1	1	1	1		
	13200-ZE2-305	ROD ASSY., CONNECTING (0.25 UNDER SIZE)	(1)	-	(1)	-		HA2,HEA2,HEA8,HKS8,HX26,HX8,HXQ4,LXQ4,PA2,PAE2,PX26,QAE2,QAE6,QAQ4,QAR2,QAW,QE,QKE4,QME2,QSC9,QWA4,QWH2,QXB6,QXB9,QXC2,QXC4,QXC6,QXE4,RA2,RH26,RHE2,RHE4,RHG4,RHQ4,RSC2,RXQ4,RXU,SMC2,SMC4,SME1,SME6,SWA2,SWA4,SWC4,SWS4, SXB7,SXB9,SXE4,VA2,VAG2, VDE2,VKB2,VKE4,VKQ4,VKX4,VMA4,VME4,VN17,VNT2,VPE2,VPE4,VPE5,VPX4,VPX5,VPX9,VS37,VS39,VSD7,VSD9,VSH7,VW12,VWA2,VWN2,VWT4,VX2,VXB7,VXB9,VXE6,VXE7,VXE9,VXQ4
	13200-Z1D-305	.....	(1)	-	-	-		LXE8,LXU,PXE8,PXED,PXU,QA2,QA26,QA4,QAG2,QH26,QHB4,QHQ4,QSE8,QXB2,QXB7,QXC9,QXCU,QXE8,QXQ4,QXU,QXUZ,SHQ4,SXE8,SXQ4,SXU,VXU1
			-	(1)	-	(1)		
5	90001-ZE8-000	BOLT, CONNECTING ROD .....	2	2	2	2		
6	90551-ZE1-000	CLIP, PISTON PIN, 18MM .....	2	2	2	2		





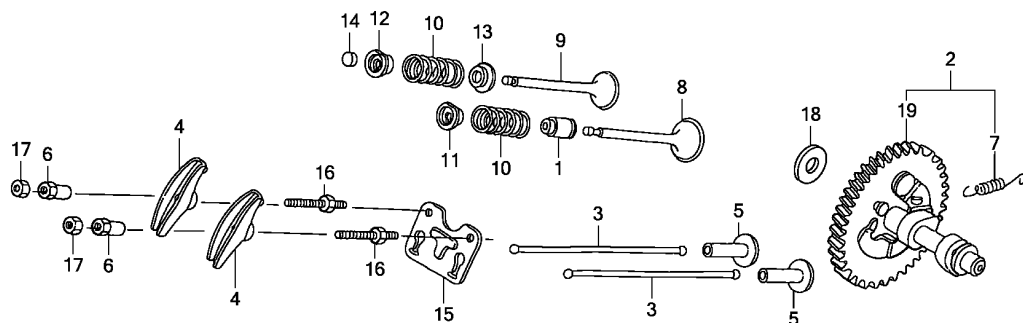
Z5K0E0900B

Ref. No.	Part No.	Description	Reqd. QTY				Serial No.	Parts catalogue code
			GX 270 UT	GX 270 UT2	GX 270 RT	GX 270 RT2		
1	12209-ZE8-003	SEAL, VALVE STEM .....	1	1	1	1		
2	14100-ZE3-020	CAMSHAFT ASSY. ....	1	-	1	-	-----	HA2,HEA2,HEA8,HKS8,HX26,HX8,HXQ4,LXE8,LXQ4,LXU,PA2,PAE2,PX26 PXE8,PXED,PXU,QA2,QA26,QA4,QAE2,QAE6,QAG2,QAQ4,QAR2,QAW,QH26 QHB4,QHQ4,QKE4,QME2,QSC9,QSE8,QWA4,QWH2,QXB6,QXC6,QXC9,QXCU QXE4,QXE8,QXQ4,QXU,QXUZ,RA2,RH26,RHE2,RHE4,RHG4,RHQ4,RSC2,RXQ4 RXU,SHQ4,SME1,SWA2,SWA4,SWC4,SWS4,SXE4,SXE8,SXQ4,SXU,VA2,VAG2 VDE2,VKB2,VKQ4,VMA4,VME4,VNT2,VW12,VWA2,VWN2,VX2,VXE6,VXQ4 VXU1
	14100-ZH9-010	.....	1	-	1	-	-----	QE,QXC2,QXC4,SMC2,SMC4,SME6,VKE4,VKX4,VPE2,VPE4,VPE5,VPX4,VPX5 VWT4
	14100-ZK3-870	.....	1	-	1	-	-----	QXB2,QXB7,SXB7,VN17,VSD7,VSH7,VXB7,VXE7
	14100-ZK9-880	.....	1	-	1	-	-----	VPX9,VS39
	14100-ZK9-870	.....	1	-	1	-	-----	VS37
	14100-ZK3-880	.....	1	-	-	-	-----	QXB9,SXB9,VSD9,VXB9,VXE9
	14100-Z5K-810	CAMSHAFT ASSY.(MOLDING CAM) -	-	1	-	1	-----	QSC9,QWA4,QWH2,QXC4,QXC6,QXC9,QXCU,QZA2,QZK4,QZXR,RDG4,RHG4 VMA4,VME4
	14100-Z5K-820	CAMSHAFT ASSY. ....	-	1	-	1	-----	1042523 QXB7,QXB9,SXB7,SXB9,VN17,VS37,VSD7,VXB7,VXE7,VXE9,VZX7
	14100-Z5K-810	CAMSHAFT ASSY.(MOLDING CAM) -	-	1	-	1	-----	1043291 HA2,HEA2,HKS8,HX26,HX8,HXQ4,LXQ4,LXU,PA2,PAE2,PX26,PXED,PXU PZX8,QA2,QA26,QA4,QAE2,QAG2,QAQ4,QAR2,QAW,QE,QH26,QHB4,QHQ4 QKE4,QME2,QSC9,QSE8,QWA4,QWH2,QXB6,QXC4,QXC6,QXC9,QXCU,QXE4 QXE8,QXQ4,QXU,QXUZ,QZA2,QZAV,QZK4,QZX4,RA2,RH26,RHE4,RHE5,RHG4 RHQ4,RSC2,RXQ4,RXU,SHQ4,SMC4,SME1,SME6,SWA4,SWC4,SWS4,SXE4 SXQ4,SXU,VA2,VDE2,VKB2,VKE4,VKQ4,VKX4,VMA4,VME4,VMT2,VNT2,VPE4 VPE5,VPX4,VPX5,VWT4,VX2,VXE6,VXQ4,VXU1
3	14410-Z1D-000	ROD, PUSH .....	2	2	2	2		
4	14431-ZE2-010	ARM, VALVE ROCKER .....	2	2	2	2		
5	14441-ZE2-000	LIFTER, VALVE .....	2	2	2	2		
6	14451-ZE1-013	PIVOT, ROCKER ARM .....	2	2	2	2		

Ref. No.	Part No.	Description	Reqd. QTY				Serial No.	Parts catalogue code
			GX 270 UT	GX 270 UT2	GX 270 RT	GX 270 RT2		
7	14568-ZE1-000	SPRING, WEIGHT RETURN .....	1	-	1	-	1042523 QXB7, QXB9, SXB7, SXB9, VN17, VS37, VSD7, VXB7, VXE7, VXE9, VZX7 1043291 HA2, HEA2, HKS8, HX26, HX8, HXQ4, LXQ4, LXU, PA2, PAE2, PX26, PXED, PXU PZX8, QA2, QA26, QA4, QAE2, QAG2, QAG4, QAR2, QAW, QE, QH26, QHB4, QHQ4 QKE4, QME2, QSC9, QSE8, QWA4, QWH2, QXB6, QXC4, QXC6, QXC9, QXCU, QXE4 QXE8, QXQ4, QXU, QXUZ, QZA2, QZAV, QZK4, QZM2, QZMH, QZX4, RA2, RH26, RHE4 RHE5, RHG4, RHQ4, RHQ5, RSC2, RXQ4, RXU, SHQ4, SMC4, SME1, SME6, SWA4 SWC4, SWS4, SXE4, SXQ4, SXU, VA2, VDE2, VKB2, VKE4, VKQ4, VKX4, VMA4, VME4 VMT2, VNT2, VPE4, VPE5, VPX4, VPX5, VWT4, VX2, VXE6, VXQ4, VXU1 HX8, HXQ4, LXQ4, PX26, PXED, PXU, PZX8, QSC9, QSE8, QWA4, QWH2, QXB6, QXB7 QXB9, QXC4, QXC6, QXC9, QXCU, QXU, QZA2, QZAV, QZK4, QZXR, RHE5, RXQ4, RXU SME1, SME6, SWS4, SXB7, SXB9, VMA4, VME4, VSD7, VX2, VXB7, VXE6, VXE7 VXE9, VXQ4, VZX7	
8	14711-ZE2-000	VALVE, IN. ....	1	-	1	-	RDG4, RHG4, VKE4, VKX4, VMT2, VN17, VPE4, VPE5, VPX4, VPX5, VS37	
	14711-Z5K-000	.....	-	1	-	1		
9	14721-ZE2-000	VALVE, EX. ....	1	-	1	-		
	14721-Z5K-000	.....	-	1	-	1		
10	14751-Z1C-000	SPRING, VALVE .....	2	2	2	2		
11	14771-Z8S-000	RETAINER, IN. VALVE SPRING ..	1	-	1	-	HA2, HEA2, HEA8, HKS8, HX26, HX8, HXQ4, LXQ4, PA2, PAE2, PX26, QA4, QAE2 QAE6, QAQ4, QAR2, QAW, QE, QKE4, QME2, QSC9, QWA4, QWH2, QXB2, QXB6, QXB9 QXC2, QXC4, QXC6, QXCU, QXE4, RA2, RH26, RHE2, RHE4, RHG4, RHQ4, RSC2 RXQ4, RXU, SMC2, SMC4, SME1, SME6, SWA2, SWA4, SWC4, SWS4, SXB7, SXB9 SXE4, VA2, VAG2, VDE2, VKB2, VKE4, VKQ4, VMA4, VME4, VNT2, VPE2, VPE4 VPE5, VSD9, VW12, VWN2, VWT4, VXE6, VXE7, VXE9 LXE8, LXU, PXE8, PXED, PXU, QA2, QA26, QAG2, QH26, QHB4, QHQ4, QSE8, QXB7 QXC9, QXE8, QXQ4, QXU, QXUZ, SHQ4, SXE8, SXQ4, SXU, VKX4, VN17, VPX4, VPX5 VPX9, VS37, VS39, VSD7, VSH7, VWA2, VX2, VXB7, VXB9, VXQ4, VXU1	
	14771-ZE2-000	.....	1	-	1	-		
	14771-Z8S-000	.....	-	1	-	1		
12	14773-Z8S-000	RETAINER, EX. VALVE SPRING ..	1	-	1	-	HA2, HEA2, HEA8, HKS8, HX26, HX8, HXQ4, LXQ4, PA2, PAE2, PX26, QA4, QAE2 QAE6, QAQ4, QAR2, QAW, QE, QKE4, QME2, QSC9, QWA4, QWH2, QXB2, QXB6, QXB9 QXC2, QXC4, QXC6, QXCU, QXE4, RA2, RH26, RHE2, RHE4, RHG4, RHQ4, RSC2 RXQ4, RXU, SMC2, SMC4, SME1, SME6, SWA2, SWA4, SWC4, SWS4, SXB7, SXB9 SXE4, VA2, VAG2, VDE2, VKB2, VKE4, VKQ4, VMA4, VME4, VNT2, VPE2, VPE4 VPE5, VSD9, VW12, VWN2, VWT4, VXE6, VXE7, VXE9 LXE8, LXU, PXE8, PXED, PXU, QA2, QA26, QAG2, QH26, QHB4, QHQ4, QSE8, QXB7 QXC9, QXE8, QXQ4, QXU, QXUZ, SHQ4, SXE8, SXQ4, SXU, VKX4, VN17, VPX4, VPX5 VPX9, VS37, VS39, VSD7, VSH7, VWA2, VX2, VXB7, VXB9, VXQ4, VXU1	
	14773-ZE2-000	.....	1	-	1	-		
	14771-Z8S-000	RETAINER, IN. VALVE SPRING .. (EXHAUST SIDE)	-	1	-	1		
13	14775-ZE2-010	SEAT, VALVE SPRING .....	1	1	1	1		
14	14781-ZE2-000	ROTATOR, VALVE .....	1	-	1	-		
15	14791-Z1D-000	GUIDE, PUSH ROD .....	1	-	-	-	HA2, HEA2, HEA8, HKS8, HX26, HX8, HXQ4, LXQ4, PA2, PAE2, PX26, QA4, QAE2 QAE6, QAQ4, QAR2, QAW, QE, QKE4, QME2, QSC9, QWA4, QWH2, QXB2, QXB6, QXB9 QXC2, QXC4, QXC6, QXCU, QXE4, RA2, RH26, RHE2, RHE4, RHG4, RHQ4, RXQ4, RXU SMC2, SMC4, SME1, SME6, SWA2, SWA4, SWC4, SWS4, SXB7, SXB9, SXE4, VA2 VKQ4, VKX4, VMA4, VME4, VN17, VPX4, VPX5, VPX9, VS37, VS39, VSD9, VSH7 VWA2, VXE6, VXE7, VXE9 LXE8, LXU, PXE8, PXED, PXU, QA2, QA26, QAG2, QH26, QHB4, QHQ4, QSE8, QXB7 QXC9, QXE8, QXQ4, QXU, QXUZ, SHQ4, SXE8, SXQ4, SXU, VSD7, VX2, VXB7, VXB9 VXQ4, VXU1	
	14791-ZE2-010	.....	1	-	-	-		

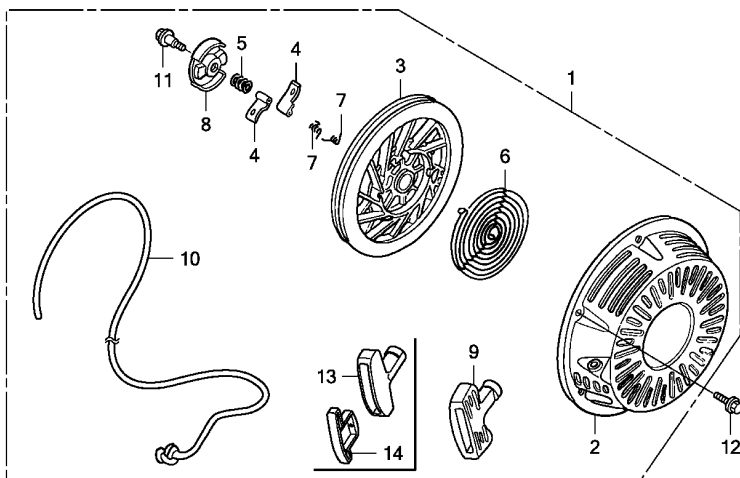






Z5K0E0900B

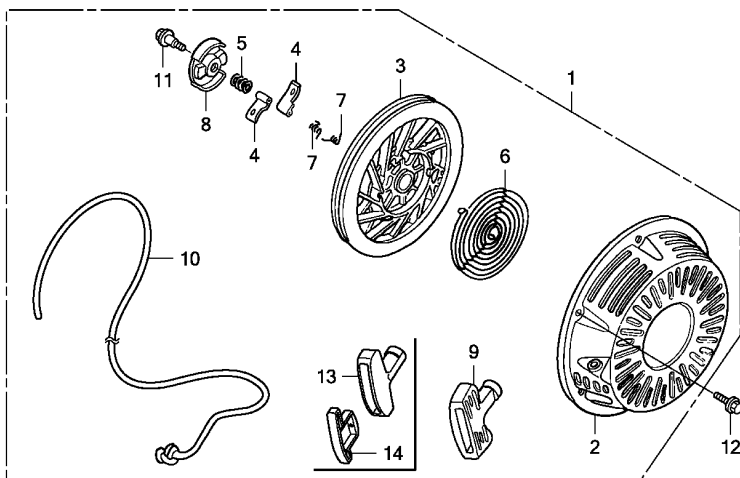
Ref. No.	Part No.	Description	Reqd. QTY				Serial No.	Parts catalogue code
			GX 270 UT	GX 270 UT2	GX 270 RT	GX 270 RT2		
15)	14791-Z1D-000	GUIDE, PUSH ROD .....	-	1	1	-	HA2,HEA2,HKS8,HX26,HX8,HXQ4,LXQ4,LXU,PA2,PAE2,PX26,PXE8,PXED,PXU,PZX8,QA2,QA26,QA4,QAE2,QAG2,QAQ4,QAR2,QAW,QE,QH26,QHB4,QHQ4,QKE4,QME2,QSC9,QSE8,QWA4,QWH2,QXB6,QXB7,QXB9,QXC4,QXC6,QXC9,QXCU,QXE4,QXE8,QXEM,QXQ4,QXU,QXUZ,QZA2,QZAV,QZK4,QZM2,QZMH,QZX4,QZXR,RA2,RH26,RHE4,RHE5,RHQ4,RHQ5,RSC2,RXQ4,RXU,SAX4,SHQ4,SHQ5,SMC4,SME1,SME6,SMX2,SWA4,SWC4,SWS4,SXB7,SXB9,SXE4,SXQ4,SXU,VA2,VAG2,VDE2,VKB2,VKE4,VKQ4,VMA4,VME4,VNT2,VPE2,VPE4,VPE5,VSD7,VW12,VWN2,VWT4,VX2,VXB7,VXE6,VXE7,VXE9,VXQ4,VXU1,VZX7,WKT,WMT8	
	14791-ZE2-010	.....	-	-	1	-	VKX4,VN17,VPX4,VPX5,VPX9,VS37,VS39,VSH7,VMA2	
	14791-Z1D-000	.....	-	-	-	1		
	16	90012-ZE0-010 BOLT, PIVOT, 8MM .....	2	2	2	2		
	17	90206-ZE1-000 NUT, PIVOT ADJUSTING .....	2	2	2	2		
	18	90413-ZK6-880 WASHER, THRUST, 16.1MM .....	1	-	1	-	QXB9,SXB9,VPX9,VS39,VSD9,VXB9,VXE9	
			-	1	-	-	QXB7,QXB9,SXB7,SXB9,VSD7,VXB7,VXE7,VXE9,VZX7	
			-	-	-	1	VN17,VS37	
	19	14100-Z5K-910 CAMSHAFT COMP.(STD) (PRESS FIT CAM)	-	1	-	1	PXE8,QXEM,QZXR,RDG4,SAX4,SHQ5,SMX2,WKT,WMT8	
		14100-Z5K-920 CAMSHAFT COMP.(LOW NOISE) ...	-	1	-	1	1042524 QXB7,QXB9,SXB7,SXB9,VN17,VS37,VSD7,VXB7,VXE7,VXE9,VZX7	
		14100-Z5K-910 CAMSHAFT COMP.(STD) (PRESS FIT CAM)	-	1	-	1	1043292 HA2,HEA2,HKS8,HX26,HX8,HXQ4,LXQ4,LXU,PA2,PAE2,PX26,PXED,PXU,PZX8,QA2,QA26,QA4,QAE2,QAG2,QAQ4,QAR2,QAW,QE,QH26,QHB4,QHQ4,QKE4,QME2,QSC9,QSE8,QWA4,QWH2,QXB6,QXC4,QXC6,QXC9,QXCU,QXE4,QXE8,QXQ4,QXU,QXUZ,QZA2,QZAV,QZK4,QZM2,QZMH,QZX4,RA2,RH26,RHE4,RHE5,RHQ4,RHQ5,RSC2,RXQ4,RXU,SHQ4,SMC4,SME1,SME6,SWA4,SWC4,SWS4,SXE4,SXQ4,SXU,VA2,VDE2,VKB2,VKE4,VKQ4,VKX4,VMA4,VME4,VMT2,VNT2,VPE4,VPE5,VPX4,VPX5,VWT4,VX2,VXE6,VXQ4,VXU1	



FR. →  
Z5KOE1100A

Ref. No.	Part No.	Description	Reqd. QTY				Serial No.	Parts catalogue code
			GX 270 UT	GX 270 UT2	GX 270 RT	GX 270 RT2		
1	28400-ZE2-W02ZB	STARTER ASSY., RECOIL						
	*NH1*	.....BLACK	1	-	1	-	-----	QA4,VW12
	28400-ZE2-W02ZN	*R280*.....POWER RED	1	-	1	-	-----	QXB2,QXC2,QXCU,RHE2,SMC2,SWA2,VPE2,VW12,VWN2,WVT4
	28400-ZE2-W01ZG	*NH105*...MAT BLACK (#15-#20)	1	-	1	-	-----	VW12,VWA2
	28400-ZE2-W01ZN	*R280*.....POWER RED	1	-	-	-	-----	HA2,HEA2,HEA8,HKS8,HX26,HX8,HXQ4,LXE8,LXQ4,LXU,PA2,PAE2,PX26,PXE8,PXED,PXU,QA26,QAE2,QAE6,QAG2,QAQ4,QAR2,QAW,QE,QH26,QHB4,QHQ4,QME2,QSC9,QSE8,QWA4,QXB6,QXB7,QXB9,QXC4,QXC6,QXC9,QXE4,QXE8,QXQ4,QXU,QXUZ,RA2,RH26,RHE4,RHG4,RHQ4,RXQ4,RXU,SHQ4,SMC4,SME1,SME6,SWA4,SWC4,SXB7,SXB9,SXE4,SXE8,SXQ4,SXU,VA2,VN17,VPX4,VPX5,VPX9,VS37,VS39,VSD7,VSD9,VSH7,VWA2,VX2,VXB7,VXB9,VXE6,VXE7,VXE9,VXQ4,VXU1
	28400-ZE2-W01ZB	*NH1*.....BLACK	1	-	-	-	-----	HA2,PA2,QA2,QAE2,QAQ4,QAR2,QWA4,QWH2,QXC9,RA2,SWC4,SWS4,VA2,VKQ4,VKX4,VMA4,VME4,VN17,VSD7,VX2,VXE7,VXE9
	28400-ZE2-W01ZD	*T41*...BARTELL BLUE METALLIC	1	-	-	-	-----	QAQ4
	28400-Z5K-003ZA	*R280*.....POWER RED	-	1	-	1	-----	HA2,HEA2,HKS8,HX26,HX8,HXQ4,LXQ4,LXU,PA2,PAE2,PX26,PXED,PXU,QA2,QA26,QAE2,QAG2,QAQ4,QAR2,QAW,QE,QH26,QHB4,QHQ4,QME2,QSC9,QSE8,QWA4,QXB6,QXB7,QXB9,QXC4,QXC6,QXC9,QXCU,QXE4,QXE8,QXQ4,QXU,QXUZ,RA2,RH26,RHE4,RHE5,RHG4,RHQ4,RSC2,RXQ4,RXU,SHQ4,SMC4,SME1,SME6,SWA4,SWC4,SXB7,SXB9,SXE4,SXQ4,SXU,VA2,VDE2,VKB2,VMT2,VN17,VNT2,VPE4,VPE5,VPX4,VPX5,VS37,VSD7,WVT4,VX2,VXB7,VXE6,VXE7,VXE9,VXQ4,VXU1
	28400-Z5K-003ZB	*NH1*.....BLACK	-	1	-	1	-----	HA2,PA2,QA2,QA4,QAE2,QAQ4,QAR2,QWA4,QWH2,QXC9,RA2,SWC4,SWS4,VA2,VKE4,VKQ4,VKX4,VMA4,VME4,VN17,VSD7,VX2,VXE7,VXE9
	28400-Z5K-013ZA	*R280*.....POWER RED	-	1	-	1	-----	PXE8,QXEM,RDG4,RHQ5,SAX4,SHQ5,SMX2,WMT8
	28400-Z5K-305ZA	STARTER ASSY., RECOIL (FOR U.S.A.)						
	*R280*	.....POWER RED	-	1	-	1	-----	RDG4,WKT
	28400-Z5K-013ZB	STARTER ASSY., RECOIL						
	*NH1*	.....BLACK	-	1	-	-	-----	PXE8,QXEM,SAX4,SMX2,WMT8



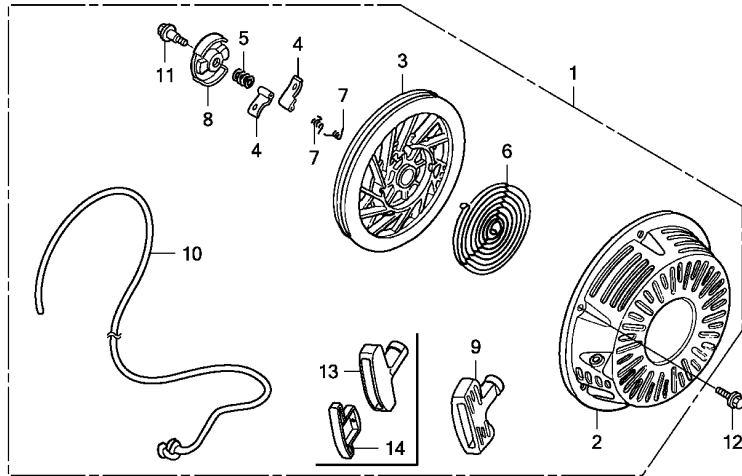


FR. →  
Z5KOE1100A

Ref. No.	Part No.	Description	Reqd. QTY				Serial No.	Parts catalogue code
			GX 270 UT	GX 270 UT2	GX 270 RT	GX 270 RT2		
(1)	28400-Z5K-003ZD	STARTER ASSY., RECOIL						
		*T41*...BARTELL BLUE METALLIC	-	1	-	-	-----	QAQ4
	28400-ZE2-W01ZB	*NH1*...BLACK	-	-	1	-	-----	VW12
	28400-ZE2-W01ZN	*R280*...POWER RED	-	-	1	-	-----	VW12, VWN2, VWT4
	28400-ZE2-W01ZB	*NH1*...BLACK	-	-	1	-	1256389	VKE4, VKX4, VN17
	28400-ZE2-W01ZN	*R280*...POWER RED	-	-	1	-	1330728	RSC2, VAG2, VDE2, VKB2, VN17, VNT2, VPE4, VPE5, VPX4, VPX5, VPX9, VS37, VS39, VSH7, VWA2
	28400-ZE2-W02ZB	*NH1*...BLACK	-	-	1	-	1256390	VKE4, VKX4, VN17
	28400-ZE2-W02ZN	*R280*...POWER RED	-	-	1	-	1330729	RSC2, VAG2, VDE2, VKB2, VN17, VNT2, VPE4, VPE5, VPX4, VPX5, VPX9, VS37, VS39, VSH7, VWA2
2	28410-ZE2-W01ZD	CASE COMP., RECOIL STARTER						
		*T41*...BARTELL BLUE METALLIC	1	1	-	-	-----	QAQ4
	28410-ZE2-W01ZN	*R280*...POWER RED	1	-	1	1	-----	HA2, HEA2, HEA8, HKS8, HX26, HX8, HXQ4, LXQ4, LXU, PA2, PAE2, PX26, PXE8, PXED, PXU, QA26, QAE2, QAG2, QAQ4, QAR2, QAW, QE, QH26, QHB4, QHQ4, QME2, QSC9, QSE8, QWA4, QXB2, QXB6, QXB7, QXB9, QXC2, QXC4, QXC6, QXC9, QXCU, QXE4, QXE8, QXQ4, QXU, QXUZ, RA2, RDG4, RH26, RHE2, RHE4, RHG4, RHQ4, RSC2, RXQ4, RXU, SHQ4, SMC2, SMC4, SME1, SME6, SWA2, SWA4, SWC4, SXB7, SXB9, SXE4, SXE8, SXQ4, SXU, VA2, VAG2, VDE2, VKB2, VMT2, VN17, VNT2, VPE2, VPE4, VPE5, VPX4, VPX5, VPX9, VS37, VS39, VSD7, VSD9, VSH7, VW12, VWA2, VWN2, VWT4, VX2, VXB7, VXB9, VXE6, VXE7, VXE9, VXQ4, VXU1
	28410-ZE2-W01ZB	*NH1*...BLACK	1	-	1	1	-----	HA2, PA2, QA2, QA4, QAE2, QAQ4, QAR2, QWA4, QWH2, QXC9, RA2, SWC4, SWS4, VA2, VKE4, VKQ4, VKX4, VMA4, VME4, VN17, VSD7, VW12, VX2, VXE7, VXE9, VW12, VWA2
	28410-ZE2-W01ZG	*NH105*...MAT BLACK (#15-#20)	1	-	1	-	-----	HA2, HEA2, HKS8, HX26, HX8, HXQ4, LXQ4, LXU, PA2, PAE2, PX26, PXE8, PXED, PXU, QA2, QA26, QAE2, QAG2, QAQ4, QAR2, QAW, QE, QH26, QHB4, QHQ4, QME2, QSC9, QSE8, QWA4, QXB6, QXB7, QXB9, QXC4, QXC6, QXC9, QXCU, QXE4, QXE8, QXEM, QXQ4, QXU, QXUZ, RA2, RH26, RHE4, RHE5, RHQ4, RHQ5, RXQ4, RXU, SAX4, SHQ4, SHQ5, SMC4, SME1, SME6, SMX2, SWA4, SWC4, SXB7, SXB9, SXE4, SXQ4, SXU, VA2, VSD7, VX2, VXB7, VXE6, VXE7, VXE9, VXQ4, VXU1, WKT, WMT8
	28410-ZE2-W01ZN	*R280*...POWER RED	-	1	-	-	-----	HA2, HEA2, HKS8, HX26, HX8, HXQ4, LXQ4, LXU, PA2, PAE2, PX26, PXE8, PXED, PXU, QA2, QA26, QAE2, QAG2, QAQ4, QAR2, QAW, QE, QH26, QHB4, QHQ4, QME2, QSC9, QSE8, QWA4, QXB6, QXB7, QXB9, QXC4, QXC6, QXC9, QXCU, QXE4, QXE8, QXEM, QXQ4, QXU, QXUZ, RA2, RH26, RHE4, RHE5, RHQ4, RHQ5, RXQ4, RXU, SAX4, SHQ4, SHQ5, SMC4, SME1, SME6, SMX2, SWA4, SWC4, SXB7, SXB9, SXE4, SXQ4, SXU, VA2, VSD7, VX2, VXB7, VXE6, VXE7, VXE9, VXQ4, VXU1, WKT, WMT8

Ref. No.	Part No.	Description	Reqd. QTY				Serial No.	Parts catalogue code
			GX 270 UT	GX 270 UT2	GX 270 RT	GX 270 RT2		
(2)	28410-ZE2-W01ZB	CASE COMP., RECOIL STARTER *NH1*.....BLACK	-	1	-	-	HA2, PA2, PXE8, QA2, QA4, QAE2, QAQ4, QAR2, QWA4, QWH2, QXC9, QXEM, RA2 SAX4, SMX2, SWC4, SWS4, VA2, VKQ4, VMA4, VME4, VSD7, VX2, VXE7, VXE9, WMT8	
3	28421-ZE2-W01	PULLEY, RECOIL STARTER .....	1	1	1	1	HA2, HEA2, HEA8, HKS8, HX26, HX8, HXQ4, LXE8, LXQ4, LXU, PA2, PAE2, PX26 PXE8, PXED, PXU, QA2, QA26, QA4, QAE2, QAE6, QAG2, QAQ4, QAR2, QAW, QE QH26, QHB4, QHQ4, QME2, QSC9, QSE8, QWA4, QWH2, QXB2, QXB6, QXB7, QXB9 QXC2, QXC4, QXC6, QXC9, QXCU, QXE4, QXE8, QXEM, QXQ4, QXU, QXUZ, RA2, RDG4 RH26, RHE2, RHE4, RHE5, RHG4, RHQ4, RHQ5, RSC2, RXQ4, RXU, SAX4, SHQ4 SHQ5, SMC2, SMC4, SME1, SME6, SMX2, SWA2, SWA4, SWC4, SWS4, SXB7, SXB9 SXE4, SXE8, SXQ4, SXU, VA2, VAG2, VDE2, VKB2, VKE4, VKQ4, VKX4, VMA4, VME4 VMT2, VN17, VNT2, VPE2, VPE4, VPE5, VPX4, VPX5, VPX9, VS37, VS39, VSD7 VSD9, VSH7, VW12, VWA2, VWN2, VWT4, VX2, VXB7, VXB9, VXE6, VXE7, VXE9 VXQ4, VXU1, WKT, WMT8	
4	28422-ZE2-W01	RATCHET, STARTER .....	2	2	2	2	HA2, HEA2, HEA8, HKS8, HX26, HX8, HXQ4, LXE8, LXQ4, LXU, PA2, PAE2, PX26 PXE8, PXED, PXU, QA2, QA26, QA4, QAE2, QAE6, QAG2, QAQ4, QAR2, QAW, QE QH26, QHB4, QHQ4, QME2, QSC9, QSE8, QWA4, QWH2, QXB2, QXB6, QXB7, QXB9 QXC2, QXC4, QXC6, QXC9, QXCU, QXE4, QXE8, QXEM, QXQ4, QXU, QXUZ, RA2, RDG4 RH26, RHE2, RHE4, RHE5, RHG4, RHQ4, RHQ5, RSC2, RXQ4, RXU, SAX4, SHQ4 SHQ5, SMC2, SMC4, SME1, SME6, SMX2, SWA2, SWA4, SWC4, SWS4, SXB7, SXB9 SXE4, SXE8, SXQ4, SXU, VA2, VAG2, VDE2, VKB2, VKE4, VKQ4, VKX4, VMA4, VME4 VMT2, VN17, VNT2, VPE2, VPE4, VPE5, VPX4, VPX5, VPX9, VS37, VS39, VSD7 VSD9, VSH7, VW12, VWA2, VWN2, VWT4, VX2, VXB7, VXB9, VXE6, VXE7, VXE9 VXQ4, VXU1, WKT, WMT8	
5	28441-ZE2-W01	SPRING, FRICTION .....	1	1	1	1	HA2, HEA2, HEA8, HKS8, HX26, HX8, HXQ4, LXE8, LXQ4, LXU, PA2, PAE2, PX26 PXE8, PXED, PXU, QA2, QA26, QA4, QAE2, QAE6, QAG2, QAQ4, QAR2, QAW, QE QH26, QHB4, QHQ4, QME2, QSC9, QSE8, QWA4, QWH2, QXB2, QXB6, QXB7, QXB9 QXC2, QXC4, QXC6, QXC9, QXCU, QXE4, QXE8, QXEM, QXQ4, QXU, QXUZ, RA2, RDG4 RH26, RHE2, RHE4, RHE5, RHG4, RHQ4, RHQ5, RSC2, RXQ4, RXU, SAX4, SHQ4 SHQ5, SMC2, SMC4, SME1, SME6, SMX2, SWA2, SWA4, SWC4, SWS4, SXB7, SXB9 SXE4, SXE8, SXQ4, SXU, VA2, VAG2, VDE2, VKB2, VKE4, VKQ4, VKX4, VMA4, VME4 VMT2, VN17, VNT2, VPE2, VPE4, VPE5, VPX4, VPX5, VPX9, VS37, VS39, VSD7 VSD9, VSH7, VW12, VWA2, VWN2, VWT4, VX2, VXB7, VXB9, VXE6, VXE7, VXE9 VXQ4, VXU1, WKT, WMT8	
6	28442-ZE2-W01	SPRING, STARTER RETURN .....	1	1	1	1	HA2, HEA2, HEA8, HKS8, HX26, HX8, HXQ4, LXE8, LXQ4, LXU, PA2, PAE2, PX26 PXE8, PXED, PXU, QA2, QA26, QA4, QAE2, QAE6, QAG2, QAQ4, QAR2, QAW, QE QH26, QHB4, QHQ4, QME2, QSC9, QSE8, QWA4, QWH2, QXB2, QXB6, QXB7, QXB9 QXC2, QXC4, QXC6, QXC9, QXCU, QXE4, QXE8, QXEM, QXQ4, QXU, QXUZ, RA2, RDG4 RH26, RHE2, RHE4, RHE5, RHG4, RHQ4, RHQ5, RSC2, RXQ4, RXU, SAX4, SHQ4 SHQ5, SMC2, SMC4, SME1, SME6, SMX2, SWA2, SWA4, SWC4, SWS4, SXB7, SXB9 SXE4, SXE8, SXQ4, SXU, VA2, VAG2, VDE2, VKB2, VKE4, VKQ4, VKX4, VMA4, VME4 VMT2, VN17, VNT2, VPE2, VPE4, VPE5, VPX4, VPX5, VPX9, VS37, VS39, VSD7 VSD9, VSH7, VW12, VWA2, VWN2, VWT4, VX2, VXB7, VXB9, VXE6, VXE7, VXE9 VXQ4, VXU1, WKT, WMT8	
7	28443-ZE2-W01	SPRING, RATCHET .....	2	2	2	2	HA2, HEA2, HEA8, HKS8, HX26, HX8, HXQ4, LXE8, LXQ4, LXU, PA2, PAE2, PX26 PXE8, PXED, PXU, QA2, QA26, QA4, QAE2, QAE6, QAG2, QAQ4, QAR2, QAW, QE QH26, QHB4, QHQ4, QME2, QSC9, QSE8, QWA4, QWH2, QXB2, QXB6, QXB7, QXB9 QXC2, QXC4, QXC6, QXC9, QXCU, QXE4, QXE8, QXEM, QXQ4, QXU, QXUZ, RA2, RDG4 RH26, RHE2, RHE4, RHE5, RHG4, RHQ4, RHQ5, RSC2, RXQ4, RXU, SAX4, SHQ4 SHQ5, SMC2, SMC4, SME1, SME6, SMX2, SWA2, SWA4, SWC4, SWS4, SXB7, SXB9 SXE4, SXE8, SXQ4, SXU, VA2, VAG2, VDE2, VKB2, VKE4, VKQ4, VKX4, VMA4, VME4 VMT2, VN17, VNT2, VPE2, VPE4, VPE5, VPX4, VPX5, VPX9, VS37, VS39, VSD7 VSD9, VSH7, VW12, VWA2, VWN2, VWT4, VX2, VXB7, VXB9, VXE6, VXE7, VXE9 VXQ4, VXU1, WKT, WMT8	





FR. →  
Z5K0E1100A

Ref. No.	Part No.	Description	Reqd. QTY				Serial No.	Parts catalogue code
			GX 270 UT	GX 270 UT2	GX 270 RT	GX 270 RT2		
8	28444-ZE2-W01	RETAINER, SPRING .....	1	1	1	1	-----	HA2,HEA2,HEA8,HKS8,HX26,HX8,HXQ4,LXE8,LXQ4,LXU,PA2,PAE2,PX26,PXE8,PXED,PXU,QA2,QA26,QA4,QAE2,QAE6,QAG2,QAQ4,QAR2,QAW,QE,QH26,QHB4,QHQ4,QME2,QSC9,QSE8,QWA4,QWH2,QXB2,QXB6,QXB7,QXB9,QXC2,QXC4,QXC6,QXC9,QXC4,QXE4,QXE8,QXEM,QXQ4,QXU,QXUZ,RA2,RDG4,RH26,RHE2,RHE4,RHE5,RHG4,RHQ4,RHQ5,RSC2,RXQ4,RXU,SAX4,SHQ4,SHQ5,SMC2,SMC4,SME1,SME6,SMX2,SWA2,SWA4,SWC4,SWS4,SBX7,SBX9,SXE4,SXE8,SXQ4,SXU,VA2,VAG2,VDE2,VKB2,VKE4,VKQ4,VKX4,VMA4,VME4,VMT2,VN17,VNT2,VPE2,VPE4,VPE5,VPX4,VPX5,VPX9,VS37,VS39,VSD7,VSD9,VSH7,VW12,VWA2,VWN2,VWT4,VX2,VXB7,VXB9,VXE6,VXE7,VXE9,VXQ4,VXU1,WKT,WMT8
9	28461-ZE2-W03	GRIP, STARTER .....	1	-	1	-	-----	QA4,QXB2,QXC2,QXCU,RHE2,SMC2,SWA2,VPE2,VW12,VWN2,VWT4
	28461-ZE2-W02	.....	1	-	-	-	-----	HA2,HEA2,HEA8,HKS8,HX26,HX8,HXQ4,LXE8,LXQ4,LXU,PA2,PAE2,PX26,PXE8,PXED,PXU,QA2,QA26,QAE2,QAE6,QAG2,QAQ4,QAR2,QAW,QE,QH26,QHB4,QHQ4,QME2,QSC9,QSE8,QWA4,QWH2,QXB6,QXB7,QXB9,QXC4,QXC6,QXC9,QXE4,QXE8,QXQ4,QXU,QXUZ,RA2,RH26,RHE4,RHG4,RHQ4,RXQ4,RXU,SHQ4,SMC4,SME1,SME6,SWA4,SWC4,SWS4,SBX7,SBX9,SXE4,SXE8,SXQ4,SXU,VA2,VKQ4,VKX4,VMA4,VME4,VN17,VPX4,VPX5,VPX9,VS37,VS39,VSD7,VSD9,VSH7,VWA2,VX2,VXB7,VXB9,VXE6,VXE7,VXE9,VXQ4,VXU1,VW12,VWN2,VWT4
			-	-	1	-	-----	1256389
			-	-	1	-	-----	1256390
	28461-ZE2-W03	.....	-	-	1	-	-----	RSC2,VAG2,VDE2,VKB2,VKE4,VKX4,VN17,VNT2,VPE4,VPE5,VPX4,VPX5,VPX9,VS37,VS39,VSH7,VWA2

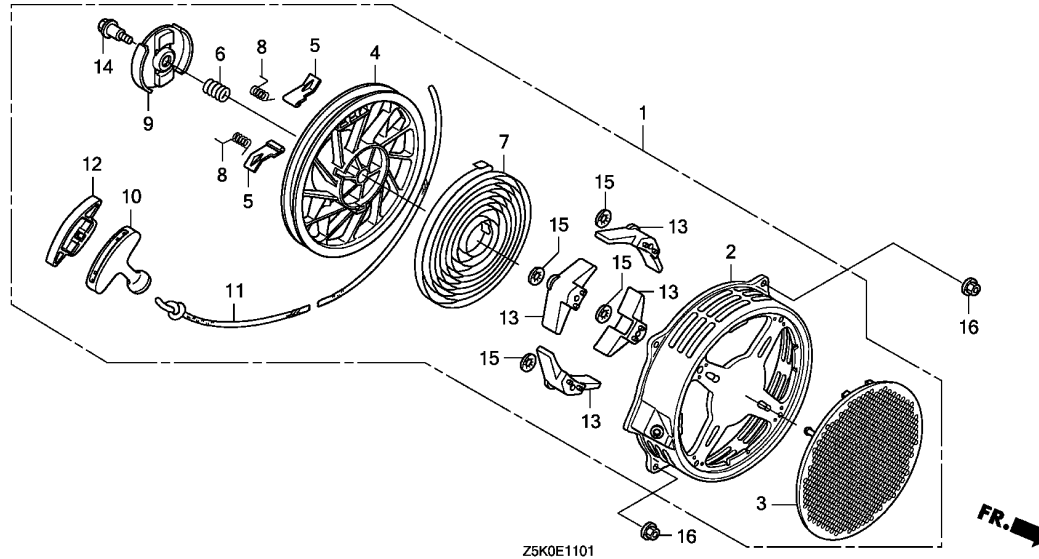
Ref. No.	Part No.	Description	Reqd. QTY				Serial No.	Parts catalogue code
			GX 270 UT	GX 270 UT2	GX 270 RT	GX 270 RT2		
10	28462-ZE2-W11	ROPE, RECOIL STARTER .....	1	1	1	1	HA2,HEA2,HEA8,HKS8,HX26,HX8,HXQ4,LXE8,LXQ4,LXU,PA2,PAE2,PX26 PX26,PXED,PXU,QA2,QA26,QA4,QA2,QA6,QAG2,QAQ4,QAR2,QAW,QA QH26,QHB4,QHQ4,QME2,QSC9,QSE8,QWA4,QWH2,QXB2,QXB6,QXB7,QXB9 QXC2,QXC4,QXC6,QXC9,QXCU,QXE4,QXE8,QXEM,QXQ4,QXU,QXUZ,RA2,RDG4 RH26,RHE2,RHE4,RHE5,RHG4,RHQ4,RHQ5,RSC2,RXQ4,RXU,SAX4,SHQ4 SHQ5,SMC2,SMC4,SME1,SME6,SMX2,SWA2,SWA4,SWC4,SWS4,SBX7,SBX9 SXE4,SXE8, SXQ4, SXU, VA2, VAG2, VDE2, VKB2, VKE4, VKQ4, VKX4, VMA4, VME4 VMT2, VN17, VNT2, VPE2, VPE4, VPE5, VPX4, VPX5, VPX9, VS37, VS39, VSD7 VSD9, VSH7, VW12, VWA2, VWN2, VWT4, VX2, VXB7, VXB9, VXE6, VXE7, VXE9 VXQ4, VXU1, WKT, WMT8	
11	90004-ZE2-W01	SCREW, CENTER .....	1	1	1	1	HA2,HEA2,HEA8,HKS8,HX26,HX8,HXQ4,LXE8,LXQ4,LXU,PA2,PAE2,PX26 PX26,PXED,PXU,QA2,QA26,QA4,QA2,QA6,QAG2,QAQ4,QAR2,QAW,QA QH26,QHB4,QHQ4,QME2,QSC9,QSE8,QWA4,QWH2,QXB2,QXB6,QXB7,QXB9 QXC2,QXC4,QXC6,QXC9,QXCU,QXE4,QXE8,QXEM,QXQ4,QXU,QXUZ,RA2,RDG4 RH26,RHE2,RHE4,RHE5,RHG4,RHQ4,RHQ5,RSC2,RXQ4,RXU,SAX4,SHQ4 SHQ5,SMC2,SMC4,SME1,SME6,SMX2,SWA2,SWA4,SWC4,SWS4,SBX7,SBX9 SXE4,SXE8, SXQ4, SXU, VA2, VAG2, VDE2, VKB2, VKE4, VKQ4, VKX4, VMA4, VME4 VMT2, VN17, VNT2, VPE2, VPE4, VPE5, VPX4, VPX5, VPX9, VS37, VS39, VSD7 VSD9, VSH7, VW12, VWA2, VWN2, VWT4, VX2, VXB7, VXB9, VXE6, VXE7, VXE9 VXQ4, VXU1, WKT, WMT8	
12	90008-ZE2-003	BOLT, FLANGE, 6X10 .....	3	3	3	3	HA2,HEA2,HEA8,HKS8,HX26,HX8,HXQ4,LXE8,LXQ4,LXU,PA2,PAE2,PX26 PX26,PXED,PXU,QA2,QA26,QA4,QA2,QA6,QAG2,QAQ4,QAR2,QAW,QA QH26,QHB4,QHQ4,QME2,QSC9,QSE8,QWA4,QWH2,QXB2,QXB6,QXB7,QXB9 QXC2,QXC4,QXC6,QXC9,QXCU,QXE4,QXE8,QXEM,QXQ4,QXU,QXUZ,RA2,RDG4 RH26,RHE2,RHE4,RHE5,RHG4,RHQ4,RHQ5,RSC2,RXQ4,RXU,SAX4,SHQ4 SHQ5,SMC2,SMC4,SME1,SME6,SMX2,SWA2,SWA4,SWC4,SWS4,SBX7,SBX9 SXE4,SXE8, SXQ4, SXU, VA2, VAG2, VDE2, VKB2, VKE4, VKQ4, VKX4, VMA4, VME4 VMT2, VN17, VNT2, VPE2, VPE4, VPE5, VPX4, VPX5, VPX9, VS37, VS39, VSD7 VSD9, VSH7, VW12, VWA2, VWN2, VWT4, VX2, VXB7, VXB9, VXE6, VXE7, VXE9 VXQ4, VXU1, WKT, WMT8	
13	28461-Z5T-003	GRIP, STARTER .....	-	1	-	1	HA2,HEA2,HKS8,HX26,HX8,HXQ4,LXQ4,LXU,PA2,PAE2,PX26,PXED,PXU PXU,QA2,QA26,QA4,QA2,QA6,QAG2,QAQ4,QAR2,QAW,QA,QH26,QHB4,QHQ4 QME2,QSC9,QSE8,QWA4,QWH2,QXB6,QXB7,QXB9,QXC4,QXC6,QXC9,QXCU QXE4,QXE8,QXEM,QXQ4,QXU,QXUZ,RA2,RDG4,RH26,RHE4,RHE5,RHG4,RHQ4 RHQ5,RSC2,RXQ4,RXU,SAX4,SHQ4,SHQ5,SMC4,SME1,SME6,SMX2,SWA4 SWC4,SWS4,SBX7,SBX9,SXE4, SXQ4, SXU, VA2, VDE2, VKB2, VKE4, VKQ4, VKX4, VMA4, VME4 VMT2, VN17, VNT2, VPE2, VPE4, VPE5, VPX4, VPX5, VPX9, VS37, VSD7, VWT4 VX2, VXB7, VXE6, VXE7, VXE9, VXQ4, VXU1, WMT8	
	28461-Z5T-305	GRIP, STARTER(FOR U.S.A.) ...	-	1	-	1	HA2,HEA2,HKS8,HX26,HX8,HXQ4,LXQ4,LXU,PA2,PAE2,PX26,PXED,PXU QA2,QA26,QA4,QA2,QA6,QAG2,QAQ4,QAR2,QAW,QA,QH26,QHB4,QHQ4,QME2 QSC9,QSE8,QWA4,QWH2,QXB6,QXB7,QXB9,QXC4,QXC6,QXC9,QXCU,QXE4 QXE8,QXQ4,QXU,QXUZ,RA2,RDG4,RH26,RHE4,RHE5,RHG4,RHQ4,RHQ5,RSC2 RXQ4,RXU,SHQ4,SMC4,SME1,SME6,SWA4,SWC4,SWS4,SBX7,SBX9,SXE4 SXQ4, SXU, VA2, VDE2, VKB2, VKE4, VKQ4, VKX4, VMA4, VME4, VMT2, VN17, VNT2 VPE4, VPE5, VPX4, VPX5, VS37, VSD7, VWT4, VX2, VXB7, VXE6, VXE7, VXE9 VXQ4, VXU1, WKT	
14	28463-Z5T-003	GRIP, REINFORCEMENT .....	-	1	-	1	HA2,HEA2,HKS8,HX26,HX8,HXQ4,LXQ4,LXU,PA2,PAE2,PX26,PXED,PXU QA2,QA26,QA4,QA2,QA6,QAG2,QAQ4,QAR2,QAW,QA,QH26,QHB4,QHQ4,QME2 QSC9,QSE8,QWA4,QWH2,QXB6,QXB7,QXB9,QXC4,QXC6,QXC9,QXCU,QXE4 QXE8,QXQ4,QXU,QXUZ,RA2,RH26,RHE4,RHE5,RHG4,RHQ4,RSC2,RXQ4,RXU SHQ4,SMC4,SME1,SME6,SWA4,SWC4,SWS4,SBX7,SBX9,SXE4, SXQ4, SXU, VA2 VDE2, VKB2, VKE4, VKQ4, VKX4, VMA4, VME4, VMT2, VN17, VNT2, VPE4, VPE5 VPX4, VPX5, VS37, VSD7, VWT4, VX2, VXB7, VXE6, VXE7, VXE9, VXQ4, VXU1	
	28463-Z5T-013	.....	-	1	-	1	PXE8,QXEM, RDG4, RHQ5, SAX4, SHQ5, SMX2, WKT, WMT8	



E-11-1

RECOIL STARTER(2)

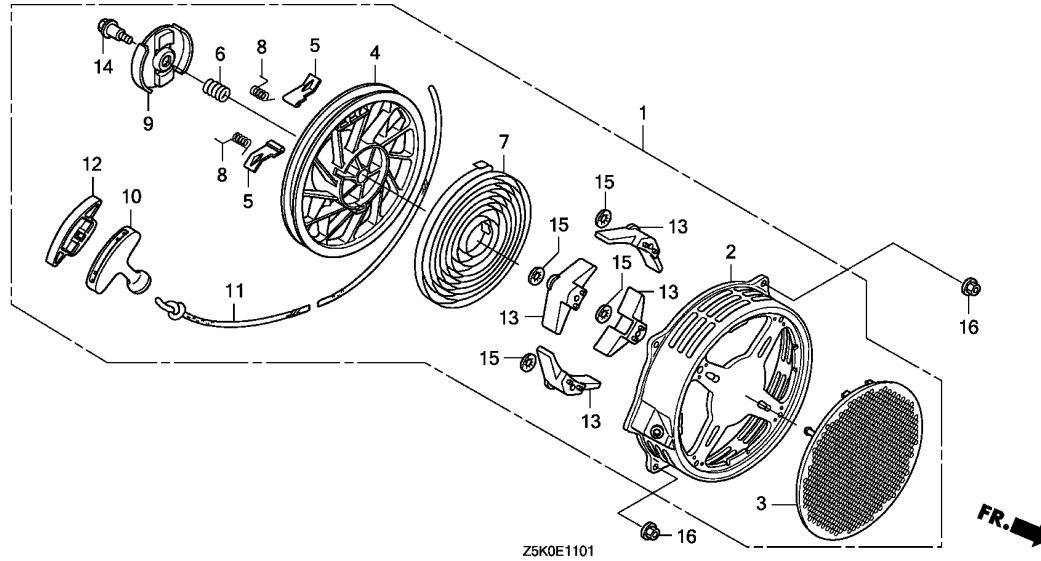
G 2



Z5K0E1101

Ref. No.	L.O.N. (Relative ref. Number)	Description	F.R.T.
----------	-------------------------------	-------------	--------

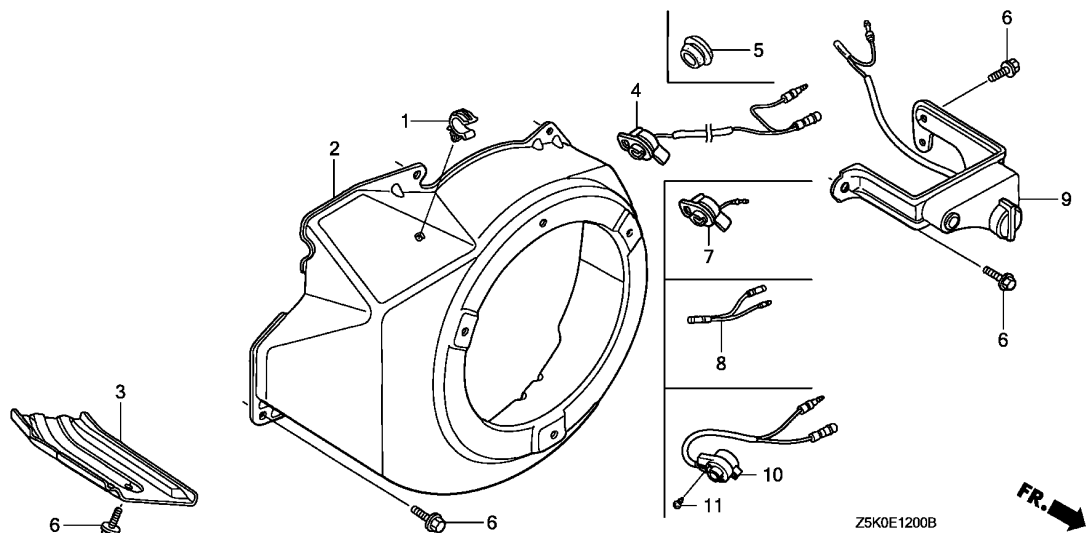
Ref. No.	Part No.	Description	Reqd. QTY				Serial No.	Parts catalogue code
			GX 270 UT	GX 270 UT2	GX 270 RT	GX 270 RT2		
1	28400-Z5T-W01ZB	STARTER ASSY., RECOIL	-	-	-	-		
		*R280*.....POWER RED	-	1	-	-	PZX8,QZA2,QZAV,QZX4,VZX7	
	28400-Z5T-W01ZA	*NH1*.....BLACK	-	1	-	-	QZA2,QZAV,QZX4,VZX7	
	28400-Z5T-W03ZA	*NH1*.....BLACK	-	1	-	-	QZM2	
	28400-Z5T-W03ZB	*R280*.....POWER RED	-	1	-	-	QZM2,QZMH,QZXR	
	28400-Z5T-306ZA	STARTER ASSY., RECOIL (COO) (FOR U.S.A.)	-	-	-	-		
		*R280*.....POWER RED	-	1	-	-	QZXR	
2	28410-Z5T-W01ZB	CASE COMP., RECOIL STARTER	-	-	-	-		
		*R280*.....POWER RED	-	1	-	-	PZX8,QZA2,QZAV,QZX4,VZX7	
	28410-Z5T-W01ZA	*NH1*.....BLACK	-	1	-	-	QZA2,QZAV,QZX4,VZX7	
	28410-Z5T-W02ZA	*NH1*.....BLACK	-	1	-	-	QZM2	
	28410-Z5T-W02ZB	*R280*.....POWER RED	-	1	-	-	QZM2,QZMH,QZXR	
3	28411-Z5T-W01	COVER, RECOIL STARTER	-	1	-	-	PZX8,QZA2,QZAV,QZM2,QZMH,QZX4,QZXR,VZX7	
4	28421-Z5T-W01	PULLEY, RECOIL STARTER	-	1	-	-	PZX8,QZA2,QZAV,QZM2,QZMH,QZX4,QZXR,VZX7	
5	28422-ZE2-W01	RATCHET, STARTER	-	2	-	-	PZX8,QZA2,QZAV,QZM2,QZMH,QZX4,QZXR,VZX7	
6	28441-ZE2-W01	SPRING, FRICTION	-	1	-	-	PZX8,QZA2,QZAV,QZM2,QZMH,QZX4,QZXR,VZX7	
7	28442-ZE2-W01	SPRING, STARTER RETURN	-	1	-	-	PZX8,QZA2,QZAV,QZM2,QZMH,QZX4,QZXR,VZX7	
8	28443-ZE2-W01	SPRING, RATCHET	-	2	-	-	PZX8,QZA2,QZAV,QZM2,QZMH,QZX4,QZXR,VZX7	
9	28444-ZE2-W01	RETAINER, SPRING	-	1	-	-	PZX8,QZA2,QZAV,QZM2,QZMH,QZX4,QZXR,VZX7	
10	28461-Z5T-003	GRIP, STARTER	-	1	-	-	PZX8,QZA2,QZAV,QZM2,QZMH,QZX4,QZXR,VZX7	
	28461-Z5T-305	GRIP, STARTER (FOR U.S.A.)	-	1	-	-	PZX8,QZA2,QZAV,QZM2,QZMH,QZX4,QZXR,VZX7	
11	28462-ZE3-W01	ROPE, RECOIL STARTER	-	1	-	-	PZX8,QZA2,QZAV,QZM2,QZMH,QZX4,QZXR,VZX7	
12	28463-Z5T-003	GRIP, REINFORCEMENT	-	1	-	-	PZX8,QZA2,QZAV,QZX4,VZX7	
	28463-Z5T-013	.....	-	1	-	-	QZM2,QZMH,QZXR	
13	28465-Z5T-W01	COVER, ROPE	-	4	-	-	PZX8,QZA2,QZAV,QZM2,QZMH,QZX4,QZXR,VZX7	
14	90004-ZE2-W01	SCREW, CENTER	-	1	-	-	PZX8,QZA2,QZAV,QZM2,QZMH,QZX4,QZXR,VZX7	



Ref. No.	Part No.	Description	Reqd. QTY				Serial No.	Parts catalogue code
			GX 270 UT	GX 270 UT2	GX 270 RT	GX 270 RT2		
15	90201-Z5T-W01	NUT, PUSH .....	-	4	-	-	-----	PZX8,QZA2,QZAV,QZM2,QZMH,QZX4,QZXR,VZX7
16	94050-06000	NUT, FLANGE, 6MM .....	-	4	-	-	-----	PZX8,QZA2,QZAV,QZM2,QZMH,QZX4,QZXR,VZX7



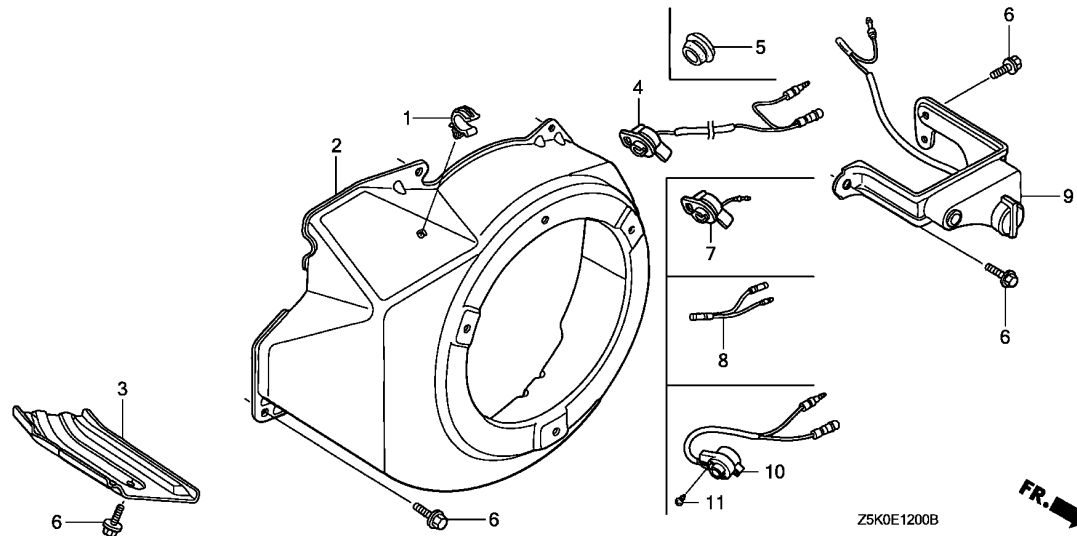




Ref. L.O.N. (Relative ref. Number) F.R.T.  
No. Description

Ref. No.	Part No.	Description	Reqd. QTY				Serial No.	Parts catalogue code
			GX 270	GX 270	GX 270	GX 270		
1	16731-ZE2-003	CLIP, TUBE	1	-	1	1	HA2,HEA2,HEA8,HKS8,HX26,HX8,HXQ4,LXE8,LXQ4,LXU,PA2,PAE2,PX26,PXE8,PXED,PXU,QA2,QA26,QA4,QA2,QA6,QAG2,QAQ4,QAR2,QAW,QE,QH26,QHB4,QHQ4,QKE4,QME2,QSC9,QSE8,QWA4,QWH2,QXB2,QXB6,QXB7,QXB9,QXC2,QXC4,QXC6,QXC9,QXCU,QXE4,QXE8,QXQ4,QXU,QXUZ,RA2,RDG4,RH26,RHE2,RHE4,RHG4,RHQ4,RXQ4,RXU,SHQ4,SMC2,SMC4,SME1,SME6,SWA2,SWA4,SWC4,SWS4,SB7,SB9,SXE4,SXE8,SXQ4,SXU,VA2,VAG2,VDE2,VKB2,VKE4,VKQ4,VKX4,VMA4,VME4,VMT2,VN17,VNT2,VPE2,VPE4,VPE5,VPX4,VPX5,VPX9,VS37,VS39,VSD7,VSD9,VSH7,VW12,VWA2,VWN2,VWT4,VX2,VXB7,VXB9,VXE6,VXE7,VXE9,VXQ4,VXU1	
			-	1	-	-	HA2,HEA2,HKS8,HX26,HX8,HXQ4,LXQ4,LXU,PA2,PAE2,PX26,PXED,PXU,QA2,QA26,QA4,QA2,QA6,QAG2,QAQ4,QAR2,QAW,QE,QH26,QHB4,QHQ4,QKE4,QME2,QSC9,QSE8,QWA4,QXB2,QXB6,QXB7,QXC2,QXC4,QXC6,QXC9,QXCU,QXE4,QXE8,QXQ4,QXU,QXUZ,QZK4,RA2,RH26,RHE4,RHE5,RHQ4,RHQ5,RXQ4,RXU,SHQ4,SMC4,SME1,SME6,SWA4,SWC4,SWS4,SB7,SB9,SXE4,SXQ4,SXU,VA2,VKQ4,VMA4,VME4,VSD7,VX2,VXB7,VXE6,VXE7,VXE9,VXQ4,VXU1	
2	19610-ZE2-010ZL	COVER COMP., FAN *R280*.....POWER RED	1	-	1	-	HA2,HEA2,HEA8,HKS8,HX26,HX8,HXQ4,LXE8,LXQ4,LXU,PA2,PAE2,PX26,PXE8,PXED,PXU,QA26,QA4,QA2,QA6,QAG2,QAQ4,QAR2,QAW,QE,QH26,QHB4,QHQ4,QKE4,QME2,QSC9,QSE8,QWA4,QXB2,QXB6,QXB7,QXC2,QXC4,QXC6,QXC9,QXCU,QXE4,QXE8,QXQ4,QXU,QXUZ,RA2,RH26,RHE2,RHE4,RHG4,RHQ4,RSC2,RXQ4,RXU,SHQ4,SMC2,SMC4,SME1,SME6,SWA2,SWA4,SWC4,SB7,SXE4,SXE8,SXQ4,SXU,VA2,VAG2,VDE2,VKB2,VN17,VNT2,VPE2,VPE4,VPE5,VPX4,VPX5,VPX9,VS37,VSD7,VSH7,VW12,VWA2,VWN2,VWT4,VX2,VXB7,VXE6,VXE7,VXQ4,VXU1	
	19610-ZE2-010ZC	*NH1*.....BLACK	1	-	1	-	HA2,PA2,QA2,QA4,QA2,QA6,QAG2,QAQ4,QAR2,QWA4,QWH2,QXC9,RA2,SWC4,SWS4,VA2,VKE4,VKQ4,VKX4,VMA4,VME4,VN17,VSD7,VX2,VXE7	
	19610-ZE2-010ZF	*NH246*.....LOOSEY GRAY	1	-	1	-	HA2,PA2,QA2,QA2,VA2,VW12,VX2	
	19610-ZK2-880ZB	*R280*.....POWER RED	1	-	1	-	QXB9,SB9,VPX9,VS39,VSD9,VXB9,VXE9	
	19610-ZE2-010ZG	*NH105*...MAT BLACK (#15-#20)	1	-	1	-	VW12,VWA2	



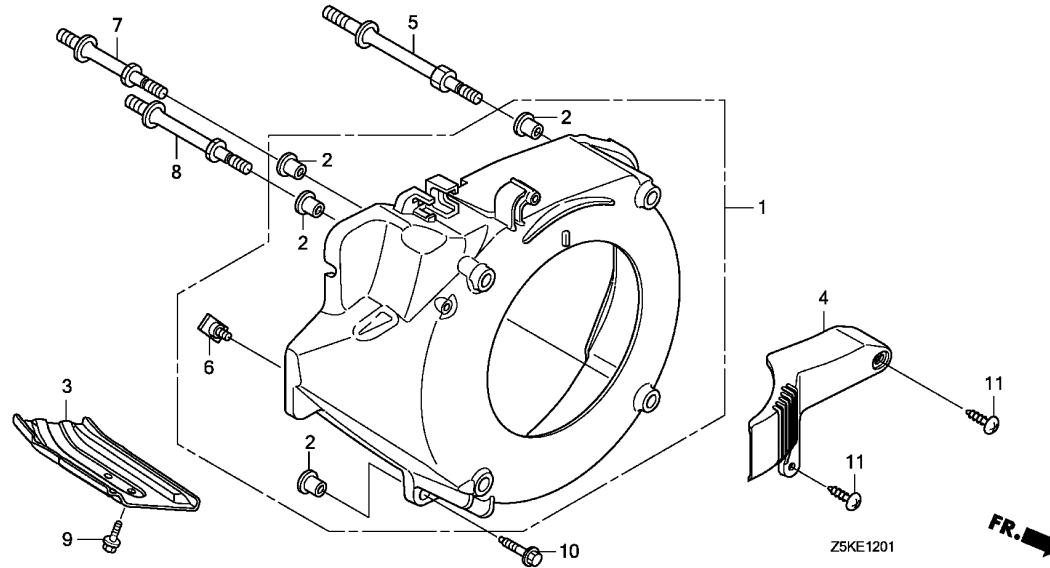
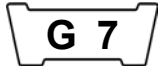


Z5K0E1200B

Ref. No.	Part No.	Description	Reqd. QTY				Serial No.	Parts catalogue code
			GX 270	GX 270	GX 270	GX 270		
7	35120-Z0D-V81	SWITCH ASSY., ENGINE STOP ...	1	-	-	-	QE,QH26,QHQ4,RH26,RHG4,RHQ4,SHQ4,VKQ4	
8	32197-ZH8-003	SUB HARNESS .....	1	-	1	-	VME4,VWA2	
9	36100-ZH9-V02	SWITCH ASSY., ENGINE STOP (SDMO)	1	-	-	-	VS37,VS39	
	36100-ZH9-V03	.....	-	-	1	-	VS37,VS39	
	36100-Z5K-003	.....	-	-	-	1	VS37	
10	35120-Z5T-003	SWITCH ASSY., ENGINE STOP ...	-	1	-	1	HA2,HX26,HX8,HXQ4,LXQ4,LXU,PA2,PX26,PXU,QA2,QA26,QA4,QAG2,QAQ4,QAR2,QAW,QE,QH26,QHQ4,QWA4,QWH2,QXB7,QXB9,QXC4,QXC6,QXC9,QXCU,QXQ4,QXU,QXUZ,RA2,RDG4,RH26,RHG4,RHQ4,RHQ5,RSC2,RXQ4,RXU,SHQ4,SHQ5,SMC4,SME6,SMX2,SWA4,SWC4,SWS4,SXB7,SXB9,SXQ4,SXU,VA2,VKQ4,VKX4,VN17,VNT2,VPX5,VSD7,VX2,VXB7,VXQ4,VXU1,WKT,WMT8	
11	90004-Z5T-000	SCREW, TAPPING, 3X6(P0) .....	-	2	-	2	HA2,HX26,HX8,HXQ4,LXQ4,LXU,PA2,PX26,PXU,QA2,QA26,QA4,QAG2,QAQ4,QAR2,QAW,QE,QH26,QHQ4,QWA4,QWH2,QXB7,QXB9,QXC4,QXC6,QXC9,QXCU,QXQ4,QXU,QXUZ,RA2,RDG4,RH26,RHG4,RHQ4,RHQ5,RSC2,RXQ4,RXU,SHQ4,SHQ5,SMC4,SME6,SMX2,SWA4,SWC4,SWS4,SXB7,SXB9,SXQ4,SXU,VA2,VKQ4,VKX4,VN17,VNT2,VPX5,VSD7,VX2,VXB7,VXQ4,VXU1,WKT,WMT8	

# E-12-1

# FAN COVER(2)



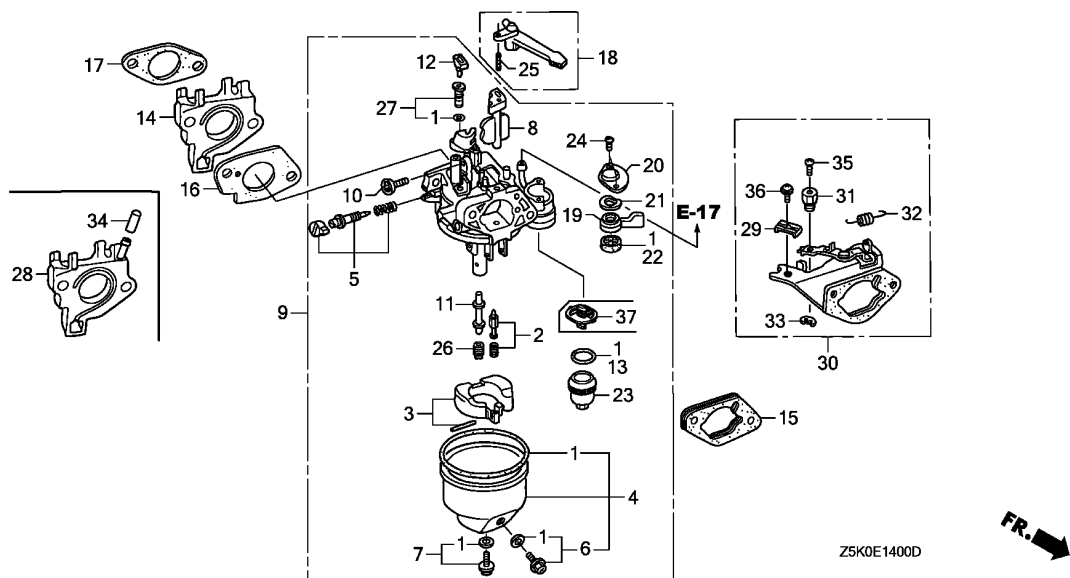
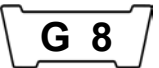
Ref. No.	L.O.N.	(Relative ref. Number) Description	F.R.T.
----------	--------	------------------------------------	--------

Ref. No.	Part No.	Description	Reqd. QTY				Serial No.	Parts catalogue code
			GX 270	GX 270	GX 270	GX 270		
1	19610-Z5K-W00ZB	COVER COMP., FAN						
		*R280*.....POWER RED	-	1	-	-	PZX8,QZA2,QZAV,QZK4,QZM2,QZMH,QZX4,QZXR,VZX7	
	19610-Z5K-W00ZA	*NH1*.....BLACK	-	1	-	-	QZA2,QZAV,QZM2,QZX4,VZX7	
2	19619-ZL8-300	COLLAR, FAN COVER	-	4	-	-	PZX8,QZA2,QZAV,QZK4,QZM2,QZMH,QZX4,QZXR,VZX7	
3	19631-Z5K-000	SHROUD	-	1	-	-	PZX8,QZA2,QZAV,QZM2,QZMH,QZX4,QZXR,VZX7	
4	30421-Z5K-W00	COVER, ELECTRONIC PARTS	-	1	-	-	PZX8,QZA2,QZAV,QZK4,QZM2,QZMH,QZX4,QZXR,VZX7	
5	90002-Z5K-W00	BOLT, STUD(SEL)	-	1	-	-	PZX8,QZA2,QZAV,QZK4,QZM2,QZMH,QZX4,QZXR,VZX7	
6	90003-Z2E-000	BOLT, SPECIAL, 6MM	-	1	-	-	PZX8,QZA2,QZAV,QZK4,QZM2,QZMH,QZX4,QZXR,VZX7	
7	90003-Z5T-W00	BOLT, STUD	-	1	-	-	PZX8,QZA2,QZAV,QZK4,QZM2,QZMH,QZX4,QZXR,VZX7	
8	90007-Z5T-W00	BOLT B, STUD	-	1	-	-	PZX8,QZA2,QZAV,QZK4,QZM2,QZMH,QZX4,QZXR,VZX7	
9	90013-883-000	BOLT, FLANGE, 6X12(CT200)	-	1	-	-	PZX8,QZA2,QZAV,QZM2,QZMH,QZX4,QZXR,VZX7	
10	90121-952-000	BOLT, FLANGE, 6X25(CT200)	-	1	-	-	PZX8,QZA2,QZAV,QZK4,QZM2,QZMH,QZX4,QZXR,VZX7	
11	93913-25580	SCREW, TAPPING, 5X20	-	2	-	-	PZX8,QZA2,QZAV,QZK4,QZM2,QZMH,QZX4,QZXR,VZX7	



E-14

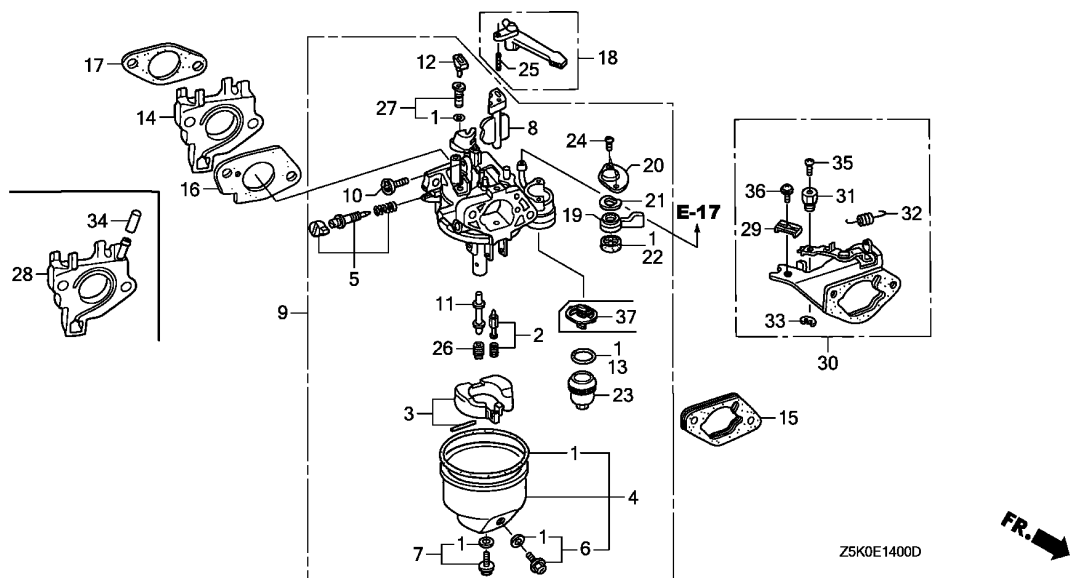
CARBURETOR(1)



Ref. L.O.N. (Relative ref. Number) F.R.T.  
No. Description

Ref. No.	Part No.	Description	Reqd. QTY				Serial No.	Parts catalogue code
			GX 270	GX 270	GX 270	GX 270		
1	16010-ZE2-812	GASKET SET .....	1	1	1	1	HA2,HEA2,HEA8,HKS8,HX26,HX8,HXQ4,LXE8,LXQ4,LXU,PA2,PAE2,PX26,PXE8,PXED,PXU,QA2,QA26,QA4,QAE2,QAE6,QAG2,QAQ4,QAR2,QAW,QE,QH26,QHB4,QHQ4,QKE4,QME2,QSC9,QSE8,QWA4,QWH2,QXB2,QXB6,QXB7,QXB9,QXC2,QXC4,QXC6,QXC9,QXCU,QXE4,QXE8,QXEM,QXQ4,QXU,QXUZ,RA2,RDG4,RH26,RHE2,RHE4,RHE5,RHG4,RHQ4,RHQ5,RSC2,RXQ4,RXU,SAX4,SHQ4,SHQ5,SME1,SME6,SMX2,SWA2,SWA4,SWC4,SWS4,SXB7,SXB9,SXE4,SXE8,SXQ4,SXU,VA2,VAG2,VDE2,VKB2,VKQ4,VMA4,VME4,VN17,VNT2,VSD7,VSD9,VSH7,VW12,VWA2,VWN2,VWT4,VX2,VXB7,VXB9,VXE6,VXE7,VXE9,VXQ4,VXU1,WKT,SMC2,SMC4,WMT8	
2	16011-ZA0-931	VALVE SET, FLOAT .....	1	1	1	1	HA2,HEA2,HEA8,HKS8,HX26,HX8,HXQ4,LXE8,LXQ4,LXU,PA2,PAE2,PX26,PXE8,PXED,PXU,QA2,QA26,QA4,QAE2,QAE6,QAG2,QAQ4,QAR2,QAW,QE,QH26,QHB4,QHQ4,QKE4,QME2,QSC9,QSE8,QWA4,QWH2,QXB2,QXB6,QXB7,QXB9,QXC2,QXC4,QXC6,QXC9,QXCU,QXE4,QXE8,QXEM,QXQ4,QXU,QXUZ,RA2,RDG4,RH26,RHE2,RHE4,RHE5,RHG4,RHQ4,RHQ5,RSC2,RXQ4,RXU,SAX4,SHQ4,SHQ5,SMC2,SMC4,SME1,SME6,SMX2,SWA2,SWA4,SWC4,SWS4,SXB7,SXB9,SXE4,SXE8,SXQ4,SXU,VA2,VAG2,VDE2,VKB2,VKQ4,VMA4,VME4,VN17,VNT2,VSD7,VSD9,VSH7,VW12,VWA2,VWN2,VWT4,VX2,VXB7,VXB9,VXE6,VXE7,VXE9,VXQ4,VXU1,WKT,WMT8	
3	16013-Z1C-003	FLOAT SET .....	1	-	1	1	HA2,HEA2,HEA8,HKS8,HX26,HX8,HXQ4,LXE8,LXQ4,LXU,PA2,PAE2,PX26,PXE8,PXED,PXU,QA2,QA26,QA4,QAE2,QAE6,QAG2,QAQ4,QAR2,QAW,QE,QH26,QHB4,QHQ4,QKE4,QME2,QSC9,QSE8,QWA4,QWH2,QXB2,QXB6,QXB7,QXB9,QXC2,QXC4,QXC6,QXE4,QXE8,QXQ4,QXU,QXUZ,RA2,RDG4,RH26,RHE2,RHE4,RHG4,RHQ4,RSC2,RXQ4,RXU,SHQ4,SMC2,SMC4,SME1,SME6,SWA2,SWA4,SWC4,SWS4,SXB7,SXB9,SXE4,SXE8,SXQ4,SXU,VA2,VAG2,VDE2,VKB2,VKQ4,VMA4,VME4,VN17,VNT2,VSD7,VSD9,VSH7,VW12,VWA2,VWN2,VWT4,VX2,VXB7,VXB9,VXE6,VXE7,VXE9,VXQ4,VXU1	
	16013-ZA0-931	.....	1	-	-	-	QXC9,QXCU	



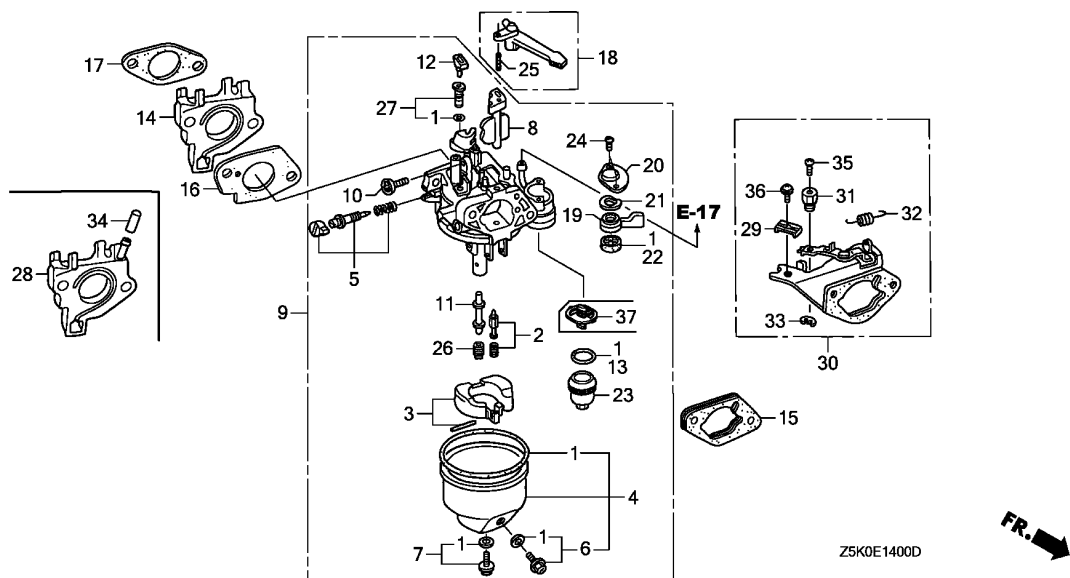


Ref. No.	Part No.	Description	Reqd. QTY				Serial No.	Parts catalogue code
			GX 270 UT	GX 270 UT2	GX 270 RT	GX 270 RT2		
7	16028-ZE0-005	SCREW SET .....	1	-	1	-	HA2,HEA2,HEA8,HKS8,HX26,HX8,HXQ4,LXE8,LXQ4,LXU,PA2,PAE2,PX26,PXE8,PXED,PXU,QA2,QA26,QA4,QAE2,QAE6,QAG2,QAQ4,QAR2,QAW,QE,QH26,QHB4,QHQ4,QKE4,QME2,QSC9,QSE8,QWA4,QWH2,QXB2,QXB6,QXB7,QXB9,QXC2,QXC4,QXC6,QXC9,QXCUCU,QXE4,QXE8,QXQ4,QXU,QXUZ,RA2,RH26,RHE2,RHE4,RHG4,RHQ4,RSC2,RXQ4,RXU,SHQ4,SMC2,SMC4,SME1,SME6,SWA2,SWA4,SWC4,SWS4,SXB7,SXB9,SXE4,SXE8,SXQ4,SXU,VA2,VAG2,VDE2,VKB2,VKQ4,VMA4,VME4,VN17,VNT2,VSD7,VSD9,VSH7,VW12,VWA2,VWN2,VWT4,VX2,VXB7,VXB9,VXE6,VXE7,VXE9,VXQ4,VXU1	
	16028-Z5T-901	.....	-	1	-	1	HA2,HEA2,HKS8,HX26,HX8,HXQ4,LXQ4,LXU,PA2,PAE2,PX26,PXE8,PXED,PXU,QA2,QA26,QA4,QAE2,QAG2,QAQ4,QAR2,QAW,QE,QH26,QHB4,QHQ4,QKE4,QME2,QSE8,QXB6,QXB7,QXB9,QXE4,QXE8,QXEM,QXQ4,QXU,QXUZ,RA2,RDG4,RH26,RHE4,RHE5,RHG4,RHQ4,RHQ5,RSC2,RXQ4,RXU,SAX4,SHQ4,SHQ5,SMC4,SME1,SME6,SMX2,SWA4,SWC4,SWS4,SXB7,SXB9,SXE4,SXQ4,SXU,VA2,VDE2,VKB2,VKQ4,VN17,VNT2,VSD7,VWT4,VX2,VXB7,VXE6,VXE7,VXE9,VXQ4,VXU1,WKT,WMT8	
	16028-ZE0-005	.....	-	1	-	-	QSC9,QWA4,QWH2,QXC4,QXC6,QXC9,QXCUCU,VMA4,VME4	
8	16044-ZE2-005	CHOKE SET .....	1	1	1	1	HA2,HEA2,HEA8,HKS8,HX26,HX8,HXQ4,LXE8,LXQ4,LXU,PA2,PAE2,PX26,PXE8,PXED,PXU,QA2,QA26,QA4,QAE2,QAE6,QAG2,QAQ4,QAR2,QAW,QE,QH26,QHB4,QHQ4,QKE4,QME2,QSC9,QSE8,QWA4,QWH2,QXB2,QXB6,QXB7,QXB9,QXC2,QXC4,QXC6,QXC9,QXCUCU,QXE4,QXE8,QXEM,QXQ4,QXU,QXUZ,RA2,RDG4,RH26,RHE2,RHE4,RHE5,RHG4,RHQ4,RHQ5,RSC2,RXQ4,RXU,SAX4,SHQ4,SHQ5,SMC2,SMC4,SME1,SME6,SMX2,SWA2,SWA4,SWC4,SWS4,SXB7,SXB9,SXE4,SXE8,SXQ4,SXU,VA2,VAG2,VDE2,VKB2,VKQ4,VMA4,VME4,VN17,VNT2,VSD7,VSD9,VSH7,VW12,VWA2,VWN2,VWT4,VX2,VXB7,VXB9,VXE6,VXE7,VXE9,VXQ4,VXU1,WKT,WMT8	

Ref. No.	Part No.	Description	Reqd. QTY				Serial No.	Parts catalogue code
			GX 270 UT	GX 270 UT2	GX 270 RT	GX 270 RT2		
9	16100-Z1D-W21	CARBURETOR ASSY. (BE78B A) ...	1	-	1	-	HA2,HEA2,HEA8,HKS8,HX26,HX8,HXQ4,LXE8,LXQ4,LXU,PA2,PAE2,PX26 PXE8,PXED,PXU,QA2,QA26,QA4,QA2,QA6,QAG2,QAQ4,QAR2,QAW,QH26 QHB4,QHQ4,QKE4,QME2,QSE8,QXB2,QXB6,QXB7,QXB9,QXE4,QXE8,QXQ4 QXU,QXUZ,RA2,RH26,RHE2,RHE4,RHG4,RHQ4,RSC2,RXQ4,RXU,SHQ4,SME1 SWA2,SWA4,SWC4,SWS4,SXB7,SXB9,SXE4,SXE8,SXQ4,SXU,VA2,VAG2,VDE2 VKB2,VKQ4,VN17,VNT2,VSD7,VSD9,VSH7,VW12,VWA2,VWN2,VX2,VXB7 VXB9,VXE6,VXE7,VXE9,VXQ4,VXU1	
	16100-Z5K-821	CARBURETOR ASSY. (BE75K A) ...	1	-	1	-	QE,SME6,VWT4	
	16100-Z5K-811	CARBURETOR ASSY. (BE78C A) ...	1	-	-	-	QSC9,QWA4,QWH2,QXC6,VMA4,VME4	
	16100-Z5K-801	CARBURETOR ASSY. (BE75J A) ...	1	-	-	-	QXC2,QXC4	
	16100-ZH9-W01	CARBURETOR ASSY. (BE75A B/C) ...	1	-	-	-	QXC9,QXCU	
	16100-Z5K-831	CARBURETOR ASSY. (BE76F A) ...	1	-	-	-	SMC2,SMC4	
	16100-Z5K-Y01	CARBURETOR ASSY. (BE21J A) ...	-	1	-	1	HA2,HEA2,HKS8,HX26,HX8,HXQ4,LXQ4,LXU,PA2,PAE2,PX26,PXE8,PXED PXU,QA2,QA26,QA4,QA2,QA6,QAG2,QAQ4,QAR2,QAW,QH26,QHB4,QHQ4,QKE4 QME2,QSE8,QXB6,QXB7,QXB9,QXE4,QXE8,QXEM,QXQ4,QXU,QXUZ,RA2,RDG4 RH26,RHE4,RHE5,RHG4,RHQ4,RHQ5,RSC2,RXQ4,RXU,SAX4,SHQ4,SHQ5 SME1,SMX2,SWA4,SWC4,SWS4,SXB7,SXB9,SXE4,SXQ4,SXU,VA2,VDE2,VKB2 VKQ4,VN17,VNT2,VSD7,VX2,VXB7,VXE6,VXE7,VXE9,VXQ4,VXU1,WKT	
	16100-Z5K-721	CARBURETOR ASSY. (BE75L A) ...	-	1	-	1	QE,SME6,VWT4	
	16100-Z5K-702	CARBURETOR ASSY. (BE75N A) ...	-	1	-	-	QSC9,QWA4,QWH2,QXC4,QXC6,QXC9,QXCU,VMA4,VME4	
	16100-Z5K-731	CARBURETOR ASSY. (BE76H A) ...	-	1	-	-	SMC4,WMT8	
10	16124-ZE0-005	SCREW, THROTTLE STOP .....	1	1	1	1	HA2,HEA2,HEA8,HKS8,HX26,HX8,HXQ4,LXE8,LXQ4,LXU,PA2,PAE2,PX26 PXE8,PXED,PXU,QA2,QA26,QA4,QA2,QA6,QAG2,QAQ4,QAR2,QAW,QE QH26,QHB4,QHQ4,QKE4,QME2,QSC9,QSE8,QWA4,QWH2,QXB2,QXB6,QXB7 QXB9,QXC2,QXC4,QXC6,QXC9,QXCU,QXE4,QXE8,QXEM,QXQ4,QXU,QXUZ,RA2 RDG4,RH26,RHE2,RHE4,RHE5,RHG4,RHQ4,RHQ5,RSC2,RXQ4,RXU,SAX4 SHQ4,SHQ5,SMC2,SMC4,SME1,SME6,SMX2,SWA2,SWA4,SWC4,SWS4,SXB7 SXB9,SXE4,SXE8,SXQ4,SXU,VA2,VAG2,VDE2,VKB2,VKQ4,VMA4,VME4,VN17 VNT2,VSD7,VSD9,VSH7,VW12,VWA2,VWN2,VWT4,VX2,VXB7,VXB9,VXE6 VXE7,VXE9,VXQ4,VXU1,WKT,WMT8	
11	16166-ZH9-W20	NOZZLE, MAIN .....	1	-	1	-	HA2,HEA2,HEA8,HKS8,HX26,HX8,HXQ4,LXE8,LXQ4,LXU,PA2,PAE2,PX26 PXE8,PXED,PXU,QA2,QA26,QA4,QA2,QA6,QAG2,QAQ4,QAR2,QAW,QH26 QHB4,QHQ4,QKE4,QME2,QSE8,QXB2,QXB6,QXB7,QXB9,QXE4,QXE8,QXQ4 QXU,QXUZ,RA2,RH26,RHE2,RHE4,RHG4,RHQ4,RSC2,RXQ4,RXU,SHQ4,SME1 SWA2,SWA4,SWC4,SWS4,SXB7,SXB9,SXE4,SXE8,SXQ4,SXU,VA2,VAG2,VDE2 VKB2,VKQ4,VN17,VNT2,VSD7,VSD9,VSH7,VW12,VWA2,VWN2,VX2,VXB7 VXB9,VXE6,VXE7,VXE9,VXQ4,VXU1	
	16166-ZH9-820	.....	1	-	1	-	QE,SMC2,SMC4,SME6,VWT4	
	16166-ZH9-W00	.....	1	-	-	-	QSC9,QWA4,QWH2,QXC6,QXC9,QXCU,VMA4,VME4	
	16166-ZH9-000	.....	1	-	-	-	QXC2,QXC4	
	16166-Z5K-Y01	.....	-	1	-	1	HA2,HEA2,HKS8,HX26,HX8,HXQ4,LXQ4,LXU,PA2,PAE2,PX26,PXE8,PXED PXU,QA2,QA26,QA4,QA2,QA6,QAG2,QAQ4,QAR2,QAW,QE,QH26,QHB4,QHQ4 QKE4,QME2,QSE8,QXB6,QXB7,QXB9,QXE4,QXE8,QXEM,QXQ4,QXU,QXUZ,RA2 RDG4,RH26,RHE4,RHE5,RHG4,RHQ4,RHQ5,RSC2,RXQ4,RXU,SAX4,SHQ4 SHQ5,SMC4,SME1,SME6,SMX2,SWA4,SWC4,SWS4,SXB7,SXB9,SXE4,SXQ4 SXU,VA2,VDE2,VKB2,VKQ4,VN17,VNT2,VSD7,VWT4,VX2,VXB7,VXE6,VXE7 VXE9,VXQ4,VXU1,WKT,WMT8	
	16166-Z5K-701	.....	-	1	-	-	QSC9,QWA4,QWH2,QXC4,QXC6,QXC9,QXCU,VMA4,VME4	
12	16172-ZE3-W10	COLLAR, SETTING .....	1	1	1	1	HA2,HEA2,HEA8,HKS8,HX26,HX8,HXQ4,LXE8,LXQ4,LXU,PA2,PAE2,PX26 PXE8,PXED,PXU,QA2,QA26,QA4,QA2,QA6,QAG2,QAQ4,QAR2,QAW,QE QH26,QHB4,QHQ4,QKE4,QME2,QSC9,QSE8,QWA4,QWH2,QXB2,QXB6,QXB7 QXB9,QXC2,QXC4,QXC6,QXC9,QXCU,QXE4,QXE8,QXEM,QXQ4,QXU,QXUZ,RA2 RDG4,RH26,RHE2,RHE4,RHE5,RHG4,RHQ4,RHQ5,RSC2,RXQ4,RXU,SAX4 SHQ4,SHQ5,SMC2,SMC4,SME1,SME6,SMX2,SWA2,SWA4,SWC4,SWS4,SXB7 SXB9,SXE4,SXE8,SXQ4,SXU,VA2,VAG2,VDE2,VKB2,VKQ4,VMA4,VME4,VN17 VNT2,VSD7,VSD9,VSH7,VW12,VWA2,VWN2,VWT4,VX2,VXB7,VXB9,VXE6 VXE7,VXE9,VXQ4,VXU1,WMT8	



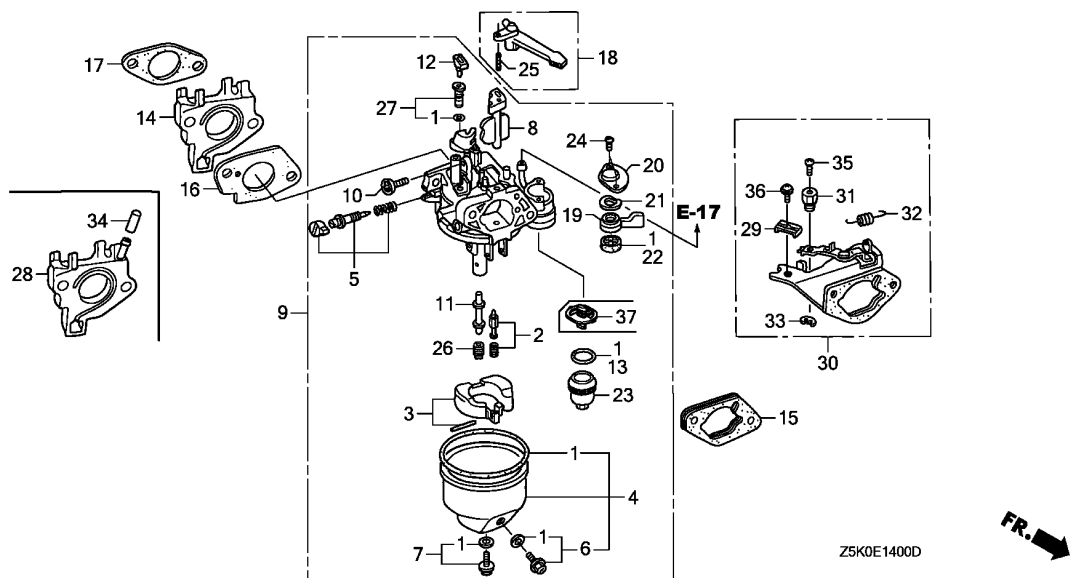




Ref. No.	Part No.	Description	Reqd. QTY				Serial No.	Parts catalogue code
			GX 270 UT	GX 270 UT2	GX 270 RT	GX 270 RT2		
13	16173-001-004	PACKING, FUEL STRAINER CUP ..	1	1	1	1	-----	HA2,HEA2,HEA8,HKS8,HX26,HX8,HXQ4,LXE8,LXQ4,LXU,PA2,PAE2,PX26,PXE8,PXED,PXU,QA2,QA26,QA4,QA2,QA6,QA6,QAG2,QAQ4,QAR2,QAW,QE,QH26,QHB4,QHQ4,QKE4,QME2,QSC9,QSE8,QWA4,QWH2,QXB2,QXB6,QXB7,QXB9,QXC2,QXC4,QXC6,QXC9,QXCU,QXE4,QXE8,QXEM,QXQ4,QXU,QXUZ,RA2,RDG4,RH26,RHE2,RHE4,RHE5,RHG4,RHQ4,RHQ5,RSC2,RXQ4,RXU,SAX4,SHQ4,SHQ5,SME1,SME6,SMX2,SWA2,SWA4,SWC4,SWS4,SXB7,SXB9,SXE4,SXE8,SXQ4,SXU,VA2,VAG2,VDE2,VKB2,VKQ4,VMA4,VME4,VN17,VNT2,VSD7,VSD9,VSH7,VW12,VWA2,VWN2,VWT4,VX2,VXB7,VXB9,VXE6,VXE7,VXE9,VXQ4,VXU1,WKT
14	16211-ZE2-000	INSULATOR, CARBURETOR .....	1	-	1	-	-----	HA2,HEA2,HEA8,HKS8,HX26,HX8,HXQ4,LXE8,LXQ4,LXU,PA2,PAE2,PX26,PXE8,PXED,PXU,QA2,QA26,QA4,QA2,QA6,QA6,QAG2,QAQ4,QAR2,QAW,QE,QH26,QHB4,QHQ4,QME2,QSC9,QSE8,QWA4,QWH2,QXB2,QXB6,QXB7,QXB9,QXC2,QXC4,QXC6,QXC9,QXCU,QXE4,QXE8,QXQ4,QXU,QXUZ,RA2,RH26,RHE2,RHE4,RHG4,RHQ4,RSC2,RXQ4,RXU,SHQ4,SMC2,SMC4,SME1,SME6,SWA2,SWA4,SWC4,SWS4,SXB7,SXB9,SXE4,SXE8,SXQ4,SXU,VA2,VAG2,VDE2,VKB2,VKQ4,VMA4,VME4,VN17,VNT2,VSD7,VSD9,VSH7,VW12,VWA2,VWN2,VWT4,VX2,VXB7,VXB9,VXE6,VXE7,VXE9,VXQ4,VXU1
	16211-ZE2-010	.....	-	1	-	1	-----	HA2,HEA2,HKS8,HX26,HX8,HXQ4,LXQ4,LXU,PA2,PAE2,PX26,PXE8,PXED,PXU,QA2,QA26,QA4,QA2,QA6,QA6,QAG2,QAQ4,QAR2,QAW,QE,QH26,QHB4,QHQ4,QME2,QSC9,QSE8,QWA4,QWH2,QXB6,QXB7,QXB9,QXC4,QXC6,QXC9,QXCU,QXE4,QXE8,QXEM,QXQ4,QXU,QXUZ,RA2,RDG4,RH26,RHE4,RHE5,RHG4,RHQ4,RHQ5,RSC2,RXQ4,RXU,SAX4,SHQ4,SHQ5,SMC4,SME1,SME6,SMX2,SWA4,SWC4,SWS4,SXB7,SXB9,SXE4,SXQ4,SXU,VA2,VDE2,VKB2,VKQ4,VMA4,VME4,VN17,VNT2,VSD7,VWT4,VX2,VXB7,VXE6,VXE7,VXE9,VXQ4,VXU1,WKT,WMT8

Ref. No.	Part No.	Description	Reqd. QTY				Serial No.	Parts catalogue code
			GX 270 UT	GX 270 UT2	GX 270 RT	GX 270 RT2		
15	16220-ZA0-702	SPACER COMP., CARBURETOR .....	1	1	1	1	HA2,HEA2,HEA8,HKS8,HX26,HX8,HXQ4,LXE8,LXQ4,LXU,PA2,PAE2,PX26 PX26,PXED,PXU,QA2,QA26,QA4,QA2,QA6,QAG2,QAQ4,QAR2,QAW,QA QH26,QHB4,QHQ4,QSC9,QSE8,QWA4,QWH2,QXB2,QXB6,QXB7,QXB9,QXC2 QXC4,QXC6,QXC9,QXCU,QXE4,QXE8,QXEM,QXQ4,QXU,QXUZ,RA2,RDG4,RH26 RHE2,RHE4,RHE5,RHG4,RHQ4,RHQ5,RSC2,RXQ4,RXU,SAX4,SHQ4,SHQ5 SMC2,SMC4,SME1,SME6,SMX2,SWA2,SWA4,SWC4,SWS4,SXB7,SXB9,SXE4 SXE8,SXQ4,SXU,VA2,VAG2,VDE2,VKB2,VKQ4,VMA4,VME4,VN17,VNT2,VSD7 VSD9,VSH7,VW12,VWA2,VWN2,VWT4,VX2,VXB7,VXB9,VXE6,VXE7,VXE9 VXQ4,VXU1,WKT,WMT8	
16	16221-ZA0-800	PACKING, CARBURETOR .....	1	-	1	-	HA2,HEA2,HEA8,HKS8,HX26,HX8,HXQ4,LXE8,LXQ4,LXU,PA2,PAE2,PX26 PX26,PXED,PXU,QA2,QA26,QA4,QA2,QA6,QAG2,QAQ4,QAR2,QAW,QA QH26,QHB4,QHQ4,QKE4,QME2,QSC9,QSE8,QWA4,QWH2,QXB2,QXB6,QXB7 QXB9,QXC2,QXC4,QXC6,QXC9,QXCU,QXE4,QXE8,QXQ4,QXU,QXUZ,RA2,RH26 RHE2,RHE4,RHG4,RHQ4,RSC2,RXQ4,RXU,SHQ4,SMC2,SMC4,SME1,SME6 SWA2,SWA4,SWC4,SWS4,SXB7,SXB9,SXE4,SXE8,SXQ4,SXU,VA2,VAG2,VDE2 VKB2,VKQ4,VMA4,VME4,VN17,VNT2,VSD7,VSD9,VSH7,VW12,VWA2,VWN2 VWT4,VX2,VXB7,VXB9,VXE6,VXE7,VXE9,VXQ4,VXU1	
	16221-Z5K-000	.....	-	1	-	1	HA2,HEA2,HKS8,HX26,HX8,HXQ4,LXQ4,LXU,PA2,PAE2,PX26,PX26,PXED PXU,QA2,QA26,QA4,QA2,QA6,QAG2,QAQ4,QAR2,QAW,QA,QH26,QHB4,QHQ4 QKE4,QME2,QSC9,QSE8,QWA4,QWH2,QXB6,QXB7,QXB9,QXC4,QXC6,QXC9 QXCU,QXE4,QXE8,QXEM,QXQ4,QXU,QXUZ,RA2,RDG4,RH26,RHE4,RHE5,RHG4 RHQ4,RHQ5,RSC2,RXQ4,RXU,SAX4,SHQ4,SHQ5,SMC4,SME1,SME6,SMX2 SWA4,SWC4,SWS4,SXB7,SXB9,SXE4,SXQ4,SXU,VA2,VDE2,VKB2,VKQ4,VMA4 VME4,VN17,VNT2,VSD7,VWT4,VX2,VXB7,VXE6,VXE7,VXE9,VXQ4,VXU1,WKT WMT8	
17	16223-ZA0-800	PACKING, INSULATOR .....	1	-	1	-	HA2,HEA2,HEA8,HKS8,HX26,HX8,HXQ4,LXE8,LXQ4,LXU,PA2,PAE2,PX26 PX26,PXED,PXU,QA2,QA26,QA4,QA2,QA6,QAG2,QAQ4,QAR2,QAW,QA QH26,QHB4,QHQ4,QKE4,QME2,QSC9,QSE8,QWA4,QWH2,QXB2,QXB6,QXB7 QXB9,QXC2,QXC4,QXC6,QXC9,QXCU,QXE4,QXE8,QXQ4,QXU,QXUZ,RA2,RH26 RHE2,RHE4,RHG4,RHQ4,RSC2,RXQ4,RXU,SHQ4,SMC2,SMC4,SME1,SME6 SWA2,SWA4,SWC4,SWS4,SXB7,SXB9,SXE4,SXE8,SXQ4,SXU,VA2,VAG2,VDE2 VKB2,VKQ4,VMA4,VME4,VN17,VNT2,VSD7,VSD9,VSH7,VW12,VWA2,VWN2 VWT4,VX2,VXB7,VXB9,VXE6,VXE7,VXE9,VXQ4,VXU1	
	16212-Z5K-000	.....	-	1	-	1	HA2,HEA2,HKS8,HX26,HX8,HXQ4,LXQ4,LXU,PA2,PAE2,PX26,PX26,PXED PXU,QA2,QA26,QA4,QA2,QA6,QAG2,QAQ4,QAR2,QAW,QA,QH26,QHB4,QHQ4 QKE4,QME2,QSC9,QSE8,QWA4,QWH2,QXB6,QXB7,QXB9,QXC4,QXC6,QXC9 QXCU,QXE4,QXE8,QXEM,QXQ4,QXU,QXUZ,RA2,RDG4,RH26,RHE4,RHE5,RHG4 RHQ4,RHQ5,RSC2,RXQ4,RXU,SAX4,SHQ4,SHQ5,SMC4,SME1,SME6,SMX2 SWA4,SWC4,SWS4,SXB7,SXB9,SXE4,SXQ4,SXU,VA2,VDE2,VKB2,VKQ4,VMA4 VME4,VN17,VNT2,VSD7,VWT4,VX2,VXB7,VXE6,VXE7,VXE9,VXQ4,VXU1,WKT WMT8	
18	16610-ZE1-000	LEVER COMP., CHOKE(STD.) .....	1	1	1	1	HA2,HEA2,HEA8,HKS8,HX26,HX8,HXQ4,LXE8,LXQ4,LXU,PA2,PAE2,PX26 PX26,PXED,PXU,QA2,QA26,QA4,QA2,QA6,QAG2,QAQ4,QAR2,QAW,QA QH26,QHB4,QHQ4,QSC9,QSE8,QWA4,QWH2,QXB2,QXB6,QXB7,QXB9,QXC2 QXC4,QXC6,QXC9,QXCU,QXE4,QXE8,QXEM,QXQ4,QXU,QXUZ,RA2,RDG4,RH26 RHE2,RHE4,RHE5,RHG4,RHQ4,RHQ5,RSC2,RXQ4,RXU,SAX4,SHQ4,SHQ5 SMC2,SMC4,SME1,SME6,SMX2,SWA2,SWA4,SWC4,SWS4,SXB7,SXB9,SXE4 SXE8,SXQ4,SXU,VA2,VAG2,VDE2,VKB2,VKQ4,VMA4,VME4,VN17,VNT2,VSD7 VSD9,VSH7,VW12,VWA2,VWN2,VWT4,VX2,VXB7,VXB9,VXE6,VXE7,VXE9 VXQ4,VXU1,WKT,WMT8	

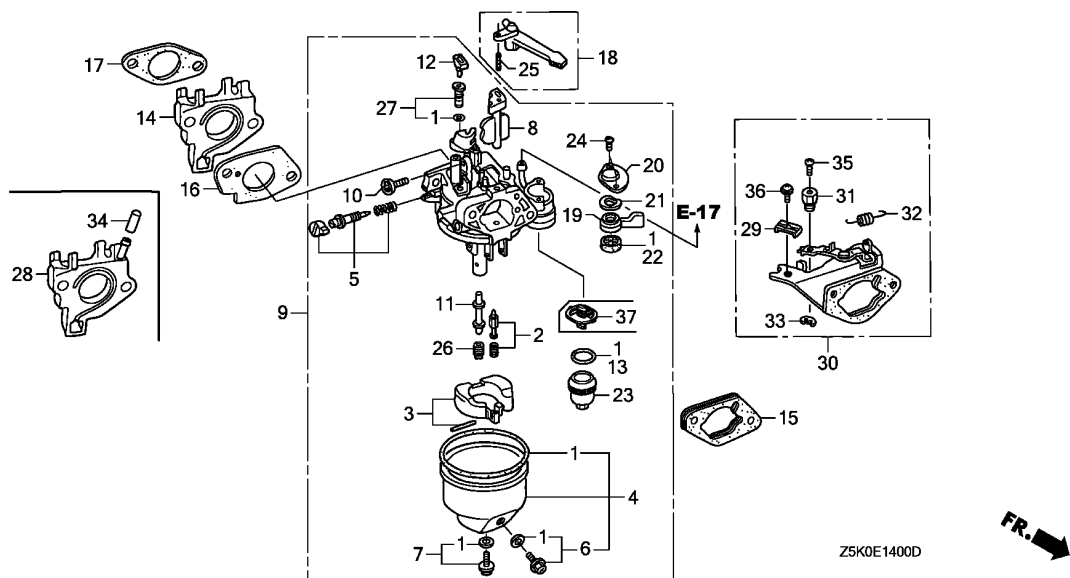




Ref. No.	Part No.	Description	Reqd. QTY				Serial No.	Parts catalogue code
			GX 270 UT	GX 270 UT2	GX 270 RT	GX 270 RT2		
19	16953-ZE1-812	LEVER, COCK .....	1	1	1	1	-----	HA2,HEA2,HEA8,HKS8,HX26,HX8,HXQ4,LXE8,LXQ4,LXU,PA2,PAE2,PX26 PXE8,PXED,PXU,QA2,QA26,QA4,QA2,QA6,QAG2,QAQ4,QAR2,QAW,QE QH26,QHB4,QHQ4,QKE4,QME2,QSC9,QSE8,QWA4,QWH2,QXB2,QXB6,QXB7 QXB9,QXC2,QXC4,QXC6,QXC9,QXCU,QXE4,QXE8,QXEM,QXQ4,QXU,QXUZ,RA2 RDG4,RH26,RHE2,RHE4,RHE5,RHG4,RHQ4,RHQ5,RSC2,RXQ4,RXU,SAX4 SHQ4,SHQ5,SMC2,SMC4,SME1,SME6,SMX2,SWA2,SWA4,SWC4,SWS4,SBX7 SBX9,SXE4,SXE8,SXQ4,SXU,VA2,VAG2,VDE2,VKB2,VKQ4,VMA4,VME4,VN17 VNT2,VSD7,VSD9,VSH7,VW12,VWA2,VWN2,VWT4,VX2,VXB7,VXB9,VXE6 VXE7,VXE9,VXQ4,VXU1,WKT,WMT8
20	16954-ZE1-812	PLATE, LEVER SETTING .....	1	1	1	1	-----	HA2,HEA2,HEA8,HKS8,HX26,HX8,HXQ4,LXE8,LXQ4,LXU,PA2,PAE2,PX26 PXE8,PXED,PXU,QA2,QA26,QA4,QA2,QA6,QAG2,QAQ4,QAR2,QAW,QE QH26,QHB4,QHQ4,QKE4,QME2,QSC9,QSE8,QWA4,QWH2,QXB2,QXB6,QXB7 QXB9,QXC2,QXC4,QXC6,QXC9,QXCU,QXE4,QXE8,QXEM,QXQ4,QXU,QXUZ,RA2 RDG4,RH26,RHE2,RHE4,RHE5,RHG4,RHQ4,RHQ5,RSC2,RXQ4,RXU,SAX4 SHQ4,SHQ5,SMC2,SMC4,SME1,SME6,SMX2,SWA2,SWA4,SWC4,SWS4,SBX7 SBX9,SXE4,SXE8,SXQ4,SXU,VA2,VAG2,VDE2,VKB2,VKQ4,VMA4,VME4,VN17 VNT2,VSD7,VSD9,VSH7,VW12,VWA2,VWN2,VWT4,VX2,VXB7,VXB9,VXE6 VXE7,VXE9,VXQ4,VXU1,WKT,WMT8
21	16956-ZE1-811	SPRING, COCK LEVER .....	1	1	1	1	-----	HA2,HEA2,HEA8,HKS8,HX26,HX8,HXQ4,LXE8,LXQ4,LXU,PA2,PAE2,PX26 PXE8,PXED,PXU,QA2,QA26,QA4,QA2,QA6,QAG2,QAQ4,QAR2,QAW,QE QH26,QHB4,QHQ4,QKE4,QME2,QSC9,QSE8,QWA4,QWH2,QXB2,QXB6,QXB7 QXB9,QXC2,QXC4,QXC6,QXC9,QXCU,QXE4,QXE8,QXEM,QXQ4,QXU,QXUZ,RA2 RDG4,RH26,RHE2,RHE4,RHE5,RHG4,RHQ4,RHQ5,RSC2,RXQ4,RXU,SAX4 SHQ4,SHQ5,SMC2,SMC4,SME1,SME6,SMX2,SWA2,SWA4,SWC4,SWS4,SBX7 SBX9,SXE4,SXE8,SXQ4,SXU,VA2,VAG2,VDE2,VKB2,VKQ4,VMA4,VME4,VN17 VNT2,VSD7,VSD9,VSH7,VW12,VWA2,VWN2,VWT4,VX2,VXB7,VXB9,VXE6 VXE7,VXE9,VXQ4,VXU1,WKT,WMT8

Ref. No.	Part No.	Description	Reqd. QTY				Serial No.	Parts catalogue code
			GX 270 UT	GX 270 UT2	GX 270 RT	GX 270 RT2		
22	16957-ZE1-812	PACKING, FUEL COCK .....	1	1	1	1	HA2,HEA2,HEA8,HKS8,HX26,HX8,HXQ4,LXE8,LXQ4,LXU,PA2,PAE2,PX26 PXE8,PXED,PXU,QA2,QA26,QA4,QA2,QA6,QAG2,QAQ4,QAR2,QAW,QE QH26,QHB4,QHQ4,QKE4,QME2,QSC9,QSE8,QWA4,QWH2,QXB2,QXB6,QXB7 QXB9,QXC2,QXC4,QXC6,QXC9,QXCU,QXE4,QXE8,QXEM,QXQ4,QXU,QXUZ,RA2 RDG4,RH26,RHE2,RHE4,RHE5,RHG4,RHQ4,RHQ5,RSC2,RXQ4,RXU,SAX4 SHQ4,SHQ5,SMC2,SMC4,SME1,SME6,SMX2,SWA2,SWA4,SWC4,SWS4,SXB7 SXB9,SXE4,SXE8,SXQ4,SXU,VA2,VAG2,VDE2,VKB2,VKQ4,VMA4,VME4,VN17 VNT2,VSD7,VSD9,VSH7,VW12,VWA2,VWN2,VWT4,VX2,VXB7,VXB9,VXE6 VXE7,VXE9,VXQ4,VXU1,WKT,WMT8	
23	16967-ZE0-811	CUP, FUEL STRAINER .....	1	1	1	1	HA2,HEA2,HEA8,HKS8,HX26,HX8,HXQ4,LXE8,LXQ4,LXU,PA2,PAE2,PX26 PXE8,PXED,PXU,QA2,QA26,QA4,QA2,QA6,QAG2,QAQ4,QAR2,QAW,QE QH26,QHB4,QHQ4,QKE4,QME2,QSC9,QSE8,QWA4,QWH2,QXB2,QXB6,QXB7 QXB9,QXC2,QXC4,QXC6,QXC9,QXCU,QXE4,QXE8,QXEM,QXQ4,QXU,QXUZ,RA2 RDG4,RH26,RHE2,RHE4,RHE5,RHG4,RHQ4,RHQ5,RSC2,RXQ4,RXU,SAX4 SHQ4,SHQ5,SME1,SME6,SMX2,SWA2,SWA4,SWC4,SWS4,SXB7,SXB9,SXE4 SXE8,SXQ4,SXU,VA2,VAG2,VDE2,VKB2,VKQ4,VMA4,VME4,VN17,VNT2,VSD7 VSD9,VSH7,VW12,VWA2,VWN2,VWT4,VX2,VXB7,VXB9,VXE6,VXE7,VXE9 VXQ4,VXU1,WKT	
24	93500-03006-1H	SCREW, PAN, 3X6 .....	2	2	2	2	HA2,HEA2,HEA8,HKS8,HX26,HX8,HXQ4,LXE8,LXQ4,LXU,PA2,PAE2,PX26 PXE8,PXED,PXU,QA2,QA26,QA4,QA2,QA6,QAG2,QAQ4,QAR2,QAW,QE QH26,QHB4,QHQ4,QKE4,QME2,QSC9,QSE8,QWA4,QWH2,QXB2,QXB6,QXB7 QXB9,QXC2,QXC4,QXC6,QXC9,QXCU,QXE4,QXE8,QXEM,QXQ4,QXU,QXUZ,RA2 RDG4,RH26,RHE2,RHE4,RHE5,RHG4,RHQ4,RHQ5,RSC2,RXQ4,RXU,SAX4 SHQ4,SHQ5,SMC2,SMC4,SME1,SME6,SMX2,SWA2,SWA4,SWC4,SWS4,SXB7 SXB9,SXE4,SXE8,SXQ4,SXU,VA2,VAG2,VDE2,VKB2,VKQ4,VMA4,VME4,VN17 VNT2,VSD7,VSD9,VSH7,VW12,VWA2,VWN2,VWT4,VX2,VXB7,VXB9,VXE6 VXE7,VXE9,VXQ4,VXU1,WKT,WMT8	
25	94305-20122	PIN, SPRING, 2X12 .....	1	1	1	1	HA2,HEA2,HEA8,HKS8,HX26,HX8,HXQ4,LXE8,LXQ4,LXU,PA2,PAE2,PX26 PXE8,PXED,PXU,QA2,QA26,QA4,QA2,QA6,QAG2,QAQ4,QAR2,QAW,QE QH26,QHB4,QHQ4,QSC9,QSE8,QWA4,QWH2,QXB2,QXB6,QXB7,QXB9,QXC2 QXC4,QXC6,QXC9,QXCU,QXE4,QXE8,QXEM,QXQ4,QXU,QXUZ,RA2,RDG4,RH26 RHE2,RHE4,RHE5,RHG4,RHQ4,RHQ5,RSC2,RXQ4,RXU,SAX4,SHQ4,SHQ5 SMC2,SMC4,SME1,SME6,SMX2,SWA2,SWA4,SWC4,SWS4,SXB7,SXB9,SXE4 SXE8,SXQ4,SXU,VA2,VAG2,VDE2,VKB2,VKQ4,VMA4,VME4,VN17,VNT2,VSD7 VSD9,VSH7,VW12,VWA2,VWN2,VWT4,VX2,VXB7,VXB9,VXE6,VXE7,VXE9 VXQ4,VXU1,WKT,WMT8	
26	99101-ZH8-0820	JET, MAIN, #82 .....	(1)	(1)	(1)	(1)	HA2,HEA2,HEA8,HKS8,HX26,HX8,HXQ4,LXE8,LXQ4,LXU,PA2,PAE2,PX26 PXE8,PXED,PXU,QA2,QA26,QA4,QA2,QA6,QAG2,QAQ4,QAR2,QAW,QE QH26,QHB4,QHQ4,QKE4,QME2,QSE8,QXB2,QXB6,QXB7,QXB9,QXE4,QXE8 QXEM,QXQ4,QXU,QXUZ,RA2,RDG4,RH26,RHE2,RHE4,RHE5,RHG4,RHQ4,RHQ5 RSC2,RXQ4,RXU,SAX4,SHQ4,SHQ5,SMC2,SMC4,SME1,SME6,SMX2,SWA2 SWA4,SWC4,SWS4,SXB7,SXB9,SXE4,SXE8,SXQ4,SXU,VA2,VAG2,VDE2,VKB2 VKQ4,VN17,VNT2,VSD7,VSD9,VSH7,VW12,VWA2,VWN2,VWT4,VX2,VXB7 VXB9,VXE6,VXE7,VXE9,VXQ4,VXU1,WKT,WMT8	
	99101-ZH8-0800	JET, MAIN, #80 .....	(1)	-	(1)	-	HA2,HEA2,HEA8,HKS8,HX26,HX8,HXQ4,LXE8,LXQ4,LXU,PA2,PAE2,PX26 PXE8,PXED,PXU,QA2,QA26,QA4,QA2,QA6,QAG2,QAQ4,QAR2,QAW,QH26 QHB4,QHQ4,QKE4,QME2,QSE8,QXB2,QXB6,QXB7,QXB9,QXE4,QXE8,QXQ4 QXU,QXUZ,RA2,RH26,RHE2,RHE4,RHG4,RHQ4,RSC2,RXQ4,RXU,SHQ4,SME1 SWA2,SWA4,SWC4,SWS4,SXB7,SXB9,SXE4,SXE8,SXQ4,SXU,VA2,VAG2,VDE2 VKB2,VKQ4,VN17,VNT2,VSD7,VSD9,VSH7,VW12,VWA2,VWN2,VX2,VXB7 VXB9,VXE6,VXE7,VXE9,VXQ4,VXU1	





Ref. No.	Part No.	Description	Reqd. QTY				Serial No.	Parts catalogue code
			GX 270	GX 270	GX 270	GX 270		
26)	99101-ZH8-0850	JET, MAIN, #85	1	-	1	-	HA2,HEA2,HEA8,HKS8,HX26,HX8,HXQ4,LXE8,LXQ4,LXU,PA2,PAE2,PX26,PXE8,PXED,PXU,QA2,QA26,QA4,QAE2,QAE6,QAG2,QAQ4,QAR2,QAW,QH26,QHB4,QHQ4,QKE4,QME2,QSE8,QXB2,QXB6,QXB7,QXB9,QXE4,QXE8,QXQ4,QXU,QXUZ,RA2,RH26,RHE2,RHE4,RHG4,RHQ4,RSC2,RXQ4,RXU,SHQ4,SME1,SWA2,SWA4,SWC4,SWS4,SXB7,SXB9,SXE4,SXE8,SXQ4,SXU,VA2,VAG2,VDE2,VKB2,VKQ4,VN17,VNT2,VSD7,VSD9,VSH7,VW12,VWA2,VWN2,VX2,VXB7,VXB9,VXE6,VXE7,VXE9,VXQ4,VXU1	
	99101-ZH8-0880	JET, MAIN, #88	(1)	-	(1)	-	QE,SMC2,SMC4,SME6,VWT4	
	99101-ZH8-0900	JET, MAIN, #90	(1)	-	-	-	QE,SMC2,SMC4,SME6,VWT4	
	99101-ZH8-0880	JET, MAIN, #88	(1)	-	-	-	QSC9,QWA4,QWH2,QXC2,QXC4,QXC6,QXC9,QXCU,VMA4,VME4	
	99101-ZH8-0920	JET, MAIN, #92	(1)	-	-	-	QSC9,QWA4,QWH2,QXC6,QXC9,QXCU,VMA4,VME4	
	99101-ZH8-0950	JET, MAIN, #95	(1)	-	-	-	QXC2,QXC4	
	99101-ZH8-0880	JET, MAIN, #88	-	1	-	-	QXC2,QXC4	
	99101-ZH8-0850	JET, MAIN, #85	-	(1)	-	-	HA2,HEA2,HKS8,HX26,HX8,HXQ4,LXQ4,LXU,PA2,PAE2,PX26,PXE8,PXED,PXU,QA2,QA26,QA4,QAE2,QAG2,QAQ4,QAR2,QAW,QA26,QHB4,QHQ4,QKE4,QME2,QSE8,QXB6,QXB7,QXB9,QXE4,QXE8,QXQ4,QXU,QXUZ,RA2,RH26,RHE4,RHE5,RHQ4,RHQ5,RXQ4,RXU,SAX4,SHQ4,SHQ5,SMC4,SME1,SME6,SMX2,SWA4,SWC4,SWS4,SXB7,SXB9,SXE4,SXQ4,SXU,VA2,VKQ4,VSD7,VX2,VXB7,VXE6,VXE7,VXE9,VXQ4,VXU1,WKT,WMT8	
	99101-ZH8-0920	JET, MAIN, #92	-	(1)	-	-	HA2,HEA2,HKS8,HX26,HX8,HXQ4,LXQ4,LXU,PA2,PAE2,PX26,PXED,PXU,QA2,QA26,QA4,QAE2,QAG2,QAQ4,QAR2,QAW,QA26,QHB4,QHQ4,QKE4,QME2,QSE8,QXB6,QXB7,QXB9,QXE4,QXE8,QXQ4,QXU,QXUZ,RA2,RH26,RHE4,RHE5,RHQ4,RXQ4,RXU,SHQ4,SMC4,SME1,SME6,SWA4,SWC4,SXB7,SXB9,SXE4,SXQ4,SXU,VA2,VKQ4,VSD7,VX2,VXB7,VXE6,VXE7,VXE9,VXQ4,VXU1,WKT	
	99101-ZH8-0950	JET, MAIN, #95	-	(1)	-	-	QSC9,QWA4,QWH2,QXC4,QXC6,QXC9,QXCU,VMA4,VME4	
	99101-ZH8-0980	JET, MAIN, #98	-	1	-	-	QSC9,QWA4,QWH2,QXC4,QXC6,QXC9,QXCU,VMA4,VME4	

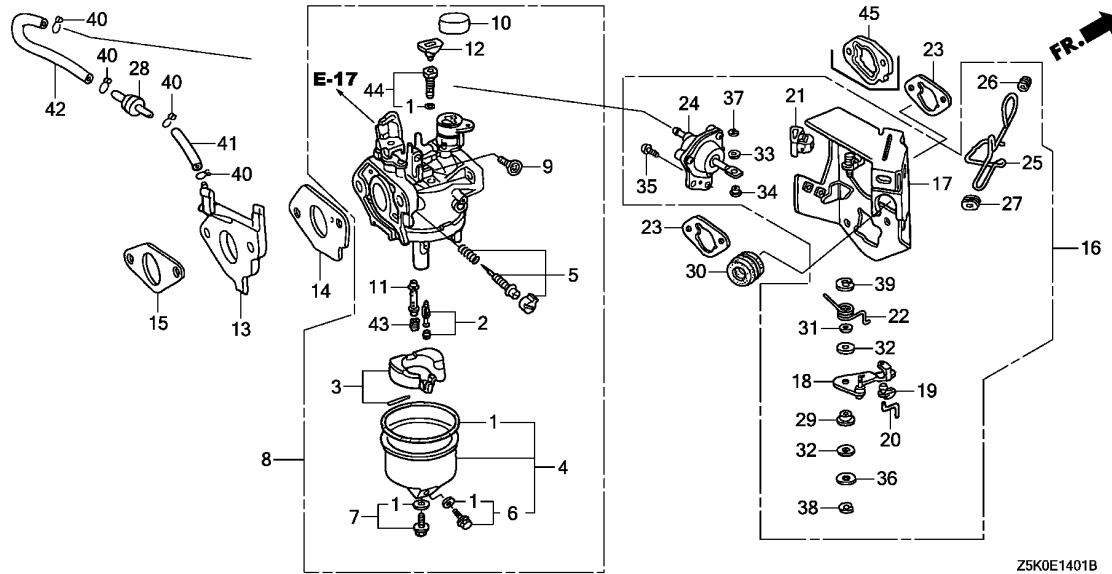
Ref. No.	Part No.	Description	Reqd. QTY				Serial No.	Parts catalogue code
			GX 270 UT	GX 270 UT2	GX 270 RT	GX 270 RT2		
26)	99101-ZH8-0880	JET, MAIN, #88	-	-	-	1	RDG4, RHG4, RSC2, VDE2, VKB2, VN17, VNT2, VWT4	
	99101-ZH8-0850	JET, MAIN, #85	-	-	-	(1)	RHG4, RSC2, VDE2, VKB2, VN17, VNT2, VWT4	
27	99204-ZE2-0400	JET SET, PILOT, #40	1	-	1	-	HA2, HEA2, HEA8, HKS8, HX26, HX8, HXQ4, LXQ4, LXU, PA2, PAE2, PX26, PXE8, PXED, PXU, QA2, QA26, QA4, QAE2, QAE6, QAG2, QAQ4, QAR2, QAW, QE, QH26, QHB4, QHQ4, QKE4, QME2, QSC9, QSE8, QWA4, QWH2, QXB2, QXB6, QXB7, QXB9, QXC2, QXC4, QXC6, QXCU, QXE4, QXE8, QXQ4, QXU, QXUZ, RA2, RH26, RHE2, RHE4, RHG4, RHQ4, RSC2, RXQ4, RXU, SHQ4, SMC2, SMC4, SME1, SME6, SWA2, SWA4, SWC4, SWS4, SXB7, SXB9, SXE4, SXQ4, SXU, VA2, VAG2, VDE2, VKB2, VKQ4, VMA4, VME4, VN17, VNT2, VSD7, VSD9, VSH7, VW12, VWA2, VWN2, VWT4, VX2, VXB7, VXB9, VXE6, VXE7, VXE9, VXQ4, VXU1	
	99204-ZE0-0350	JET SET, PILOT, #35 (CARBURETOR NO.)	1	-	-	-	BE75A B QXC9	
	99204-ZE2-0400	JET SET, PILOT, #40 (CARBURETOR NO.)	1	-	-	-	BE75A C QXC9	
	99204-ZE2-0380	JET SET, PILOT, #38	-	1	-	1	HA2, HEA2, HKS8, HX26, HX8, HXQ4, LXQ4, LXU, PA2, PAE2, PX26, PXE8, PXED, PXU, QA2, QA26, QA4, QAE2, QAG2, QAQ4, QAR2, QAW, QE, QH26, QHB4, QHQ4, QKE4, QME2, QSC9, QSE8, QWA4, QWH2, QXB6, QXB7, QXB9, QXC4, QXC6, QXC9, QXCU, QXE4, QXE8, QXEM, QXQ4, QXU, QXUZ, RA2, RDG4, RH26, RHE4, RHE5, RHG4, RHQ4, RHQ5, RSC2, RXQ4, RXU, SAX4, SHQ4, SHQ5, SMC4, SME1, SME6, SMX2, SWA4, SWC4, SWS4, SXB7, SXB9, SXE4, SXQ4, SXU, VA2, VDE2, VKB2, VKQ4, VMA4, VME4, VN17, VNT2, VSD7, VWT4, VX2, VXB7, VXE6, VXE7, VXE9, VXQ4, VXU1, WKT, WMT8	
28	16211-ZE2-700	INSULATOR, CARBURETOR	1	-	-	-	QKE4, RHG4	
	16211-ZE2-701		-	1	-	-	QKE4	
29	16576-891-000	HOLDER, CABLE	1	1	-	-	QKE4, QME2	
30	16590-ZE2-812	STAY ASSY., CHOKE CONTROL (REMOTE)	1	1	-	-	QKE4, QME2	
31	16594-883-010	HOLDER, WIRE	1	1	-	-	QKE4, QME2	
32	16615-ZE2-810	SPRING, RETURN	1	1	-	-	QKE4, QME2	
33	90605-230-000	CIRCLIP, 5MM	1	1	-	-	QKE4, QME2	
34	90634-ZL8-000	CAP, SEALING	1	1	-	-	QKE4	
35	93500-04006-0H	SCREW, PAN, 4X6	1	1	-	-	QKE4, QME2	
36	93893-05016-00	SCREW-WASHER, 5X16	1	1	-	-	QKE4, QME2	
37	16959-Z5T-901	FILTER, CUP	-	1	-	1	HA2, HEA2, HKS8, HX26, HX8, HXQ4, LXQ4, LXU, PA2, PAE2, PX26, PXE8, PXED, PXU, QA2, QA26, QA4, QAE2, QAG2, QAQ4, QAR2, QAW, QE, QH26, QHB4, QHQ4, QKE4, QME2, QSC9, QSE8, QWA4, QWH2, QXB6, QXB7, QXB9, QXC4, QXC6, QXC9, QXCU, QXE4, QXE8, QXEM, QXQ4, QXU, QXUZ, RA2, RDG4, RH26, RHE4, RHE5, RHG4, RHQ4, RHQ5, RSC2, RXQ4, RXU, SAX4, SHQ4, SHQ5, SME1, SME6, SMX2, SWA4, SWC4, SWS4, SXB7, SXB9, SXE4, SXQ4, SXU, VA2, VDE2, VKB2, VKQ4, VMA4, VME4, VN17, VNT2, VSD7, VWT4, VX2, VXB7, VXE6, VXE7, VXE9, VXQ4, VXU1, WKT	



# E-14-1

# CARBURETOR(2)

H 2



Z5K0E1401B

Ref. No.	L.O.N.	(Relative ref. Number) Description	F.R.T.
----------	--------	------------------------------------	--------

Ref. No.	Part No.	Description	Reqd. QTY				Serial No.	Parts catalogue code
			GX 270 UT	GX 270 UT2	GX 270 RT	GX 270 RT2		
1	16010-ZF5-900	GASKET SET	1	-	1	1	VKX4, VPE2, VPE4, VPE5, VPX4, VPX5, VPX9, VS37, VS39	
2	16011-ZA0-931	VALVE SET, FLOAT	1	-	1	1	VKX4, VPE2, VPE4, VPE5, VPX4, VPX5, VPX9, VS37, VS39	
3	16013-ZA0-931	FLOAT SET	1	-	1	-	VKX4, VPX4, VPX5, VPX9, VS37, VS39	
	16013-Z1C-003		-	-	1	-	VPE2, VPE4, VPE5	
4	16015-ZE8-005	CHAMBER SET, FLOAT	1	-	1	-	VKX4, VPE4, VPE5, VPX4, VPX5, VS37	
	16015-Z5T-901		-	-	1	-	VKX4, VPE2, VPE4, VPE5, VPX4, VPX5, VPX9, VS37, VS39	
	16015-Z5T-901		-	-	1	-	VKX4, VPE4, VPE5, VPX4, VPX5, VS37	
5	16016-ZH8-W01	SCREW SET	1	-	1	-	VKX4, VPE2, VPE4, VPE5, VPX4, VPX5, VPX9, VS37, VS39	
	16016-ZH7-W01	SCREW SET, PILOT	-	-	-	1	VKX4, VPE4, VPE5, VPX4, VPX5, VS37	
6	16024-ZE1-811	SCREW SET, DRAIN	1	-	1	-	VKX4, VPE2, VPE4, VPE5, VPX4, VPX5, VPX9, VS37, VS39	
	16024-Z5T-901		-	-	-	1	VKX4, VPE4, VPE5, VPX4, VPX5, VS37	
7	16028-ZE0-005	SCREW SET	1	-	1	-	VKX4, VPE2, VPE4, VPE5, VPX4, VPX5, VPX9, VS37, VS39	
	16028-Z5T-901		-	-	-	1	VKX4, VPE4, VPE5, VPX4, VPX5, VS37	
8	16100-Z5H-V02	CARBURETOR ASSY. (BE21F B/C)	1	-	1	-	VKX4, VPX4, VS37	
	16100-ZK9-R62	CARBURETOR ASSY. (BE77R B/C)	1	-	1	-	VPX5, VPX9, VS39	
	16100-Z5K-V01	CARBURETOR ASSY. (BE77V A)	-	-	1	-	VPE2, VPE4	
	16100-Z5K-R61	CARBURETOR ASSY. (BE77U A)	-	-	1	-	VPE5	
	16100-ZBC-822	CARBURETOR ASSY. (BE98B A)	-	-	1	-	VKX4, VPE4, VPE5, VPX4, VPX5, VS37	
9	16124-ZE0-005	SCREW, THROTTLE STOP	1	-	1	1	VKX4, VPE2, VPE4, VPE5, VPX4, VPX5, VPX9, VS37, VS39	
10	16148-141-881	CAP, CHOKE DUST	1	-	1	1	VKX4, VPE2, VPE4, VPE5, VPX4, VPX5, VPX9, VS37, VS39	
11	16166-ZH9-820	NOZZLE, MAIN	1	-	1	1	VKX4, VPE2, VPE4, VPE5, VPX4, VPX5, VPX9, VS37, VS39	
12	16172-ZE3-W10	COLLAR, SETTING	1	-	1	1	VKX4, VPE2, VPE4, VPE5, VPX4, VPX5, VPX9, VS37, VS39	
13	16211-ZE2-701	INSULATOR, CARBURETOR	1	-	-	-	VKX4, VPX4, VPX5, VS37	
	16211-ZE2-700		1	-	-	-	VPX9, VS39	
			-	-	1	-	VKX4, VPE2, VPE4, VPE5, VPX4, VPX5, VPX9, VS37, VS39	
14	16221-ZA0-800	PACKING, CARBURETOR	1	-	1	-	VKX4, VPE2, VPE4, VPE5, VPX4, VPX5, VPX9, VS37, VS39	
	16221-Z5K-000		-	-	-	1	VKX4, VPE4, VPE5, VPX4, VPX5, VS37	

Ref. No.	Part No.	Description	Reqd. QTY				Serial No.	Parts catalogue code
			GX 270 UT	GX 270 UT2	GX 270 RT	GX 270 RT2		
15	16223-ZA0-800 16212-Z5K-000	PACKING, INSULATOR .....	1	-	1	-	VKX4, VPE2, VPE4, VPE5, VPX4, VPX5, VPX9, VS37, VS39 VKX4, VPE4, VPE5, VPX4, VPX5, VS37	
16	16260-ZE3-D21 16260-ZE3-D22	STAY ASSY., MANUAL CHOKE ....	1	-	-	-	1122294 VKX4, VPX4, VPX5, VPX9, VS37, VS39 1122295 VKX4, VPX4, VPX5, VPX9, VS37, VS39	
17	16261-ZE2-702	STAY COMP., SOLENOID .....	1	-	1	1	VKX4, VPE2, VPE4, VPE5, VPX4, VPX5, VPX9, VS37, VS39	
18	16262-ZE2-711	LEVER, CHOKE .....	1	-	1	1	VKX4, VPE2, VPE4, VPE5, VPX4, VPX5, VPX9, VS37, VS39	
19	16263-ZA0-000	JOINT, ROD .....	1	-	1	1	VKX4, VPE2, VPE4, VPE5, VPX4, VPX5, VPX9, VS37, VS39	
20	16264-ZE2-701	ROD, CHOKE .....	1	-	1	1	VKX4, VPE2, VPE4, VPE5, VPX4, VPX5, VPX9, VS37, VS39	
21	16265-ZE2-721	STOPPER, CHOKE ROD .....	1	-	1	1	VKX4, VPE2, VPE4, VPE5, VPX4, VPX5, VPX9, VS37, VS39	
22	16268-ZE2-721	SPRING, MANUAL CHOKE .....	1	-	1	1	VKX4, VPE2, VPE4, VPE5, VPX4, VPX5, VPX9, VS37, VS39	
23	16269-ZA0-800 17228-Z5T-000	PACKING, AIR CLEANER .....	2	-	2	-	VKX4, VPE2, VPE4, VPE5, VPX4, VPX5, VPX9, VS37, VS39 VKX4, VPE4, VPE5, VPX4, VPX5, VS37	
24	16400-ZE2-703 16400-ZE2-704	DIAPHRAGM ASSY. ....	1	-	-	-	1122294 VKX4, VPX4, VPX5, VPX9, VS37, VS39 1122295 VKX4, VPX4, VPX5, VPX9, VS37, VS39	
25	16611-ZE3-D21	ROD, CHOKE CONTROL .....	1	-	1	1	VKX4, VPE2, VPE4, VPE5, VPX4, VPX5, VPX9, VS37, VS39	
26	16613-893-000	GROMMET, CHOKE ROD .....	1	-	1	1	VKX4, VPE2, VPE4, VPE5, VPX4, VPX5, VPX9, VS37, VS39	
27	16615-893-000	GUIDE, CHOKE ROD .....	1	-	1	1	VKX4, VPE2, VPE4, VPE5, VPX4, VPX5, VPX9, VS37, VS39	
28	36135-ZF6-D41	VALVE, DASHPOT CHECK .....	1	-	1	1	VKX4, VPE2, VPE4, VPE5, VPX4, VPX5, VPX9, VS37, VS39	
29	53149-964-003	BUSH, ARM PIVOT .....	1	-	1	1	VKX4, VPE2, VPE4, VPE5, VPX4, VPX5, VPX9, VS37, VS39	
30	88911-MJ3-000	GROMMET, FENDER .....	1	-	1	1	VKX4, VPE2, VPE4, VPE5, VPX4, VPX5, VPX9, VS37, VS39	
31	90431-ZE2-700	WASHER, CHOKE LEVER .....	1	-	1	1	VKX4, VPE2, VPE4, VPE5, VPX4, VPX5, VPX9, VS37, VS39	
32	90432-ZE2-700	SEAL, CHOKE LEVER .....	2	-	2	2	VKX4, VPE2, VPE4, VPE5, VPX4, VPX5, VPX9, VS37, VS39	
33	90433-ZE2-700	WASHER, THRUST, 2.7X8 .....	1	-	1	1	VKX4, VPE2, VPE4, VPE5, VPX4, VPX5, VPX9, VS37, VS39	
34	90434-ZE2-700	COLLAR, LEVER .....	1	-	1	1	VKX4, VPE2, VPE4, VPE5, VPX4, VPX5, VPX9, VS37, VS39	
35	93500-05012-0A	SCREW, PAN, 5X12 .....	2	-	2	2	VKX4, VPE2, VPE4, VPE5, VPX4, VPX5, VPX9, VS37, VS39	
36	94103-05000	WASHER, PLAIN, 5MM .....	1	-	1	1	VKX4, VPE2, VPE4, VPE5, VPX4, VPX5, VPX9, VS37, VS39	
37	94540-02010	E-RING, 2MM .....	1	-	1	1	VKX4, VPE2, VPE4, VPE5, VPX4, VPX5, VPX9, VS37, VS39	
38	94540-04010	E-RING, 4MM .....	1	-	1	1	VKX4, VPE2, VPE4, VPE5, VPX4, VPX5, VPX9, VS37, VS39	
39	94540-07010	E-RING, 7MM .....	1	-	1	1	VKX4, VPE2, VPE4, VPE5, VPX4, VPX5, VPX9, VS37, VS39	
40	95002-02070	CLIP, TUBE(B7) .....	4	-	4	4	VKX4, VPE2, VPE4, VPE5, VPX4, VPX5, VPX9, VS37, VS39	
41	95005-35055-10	TUBE, 3.5X55(95005-35001-10M)	1	-	1	1	VKX4, VPE2, VPE4, VPE5, VPX4, VPX5, VPX9, VS37, VS39	
42	95005-35075-10	TUBE, 3.5X75(95005-35001-10M)	1	-	1	1	VKX4, VPE2, VPE4, VPE5, VPX4, VPX5, VPX9, VS37, VS39	
43	99101-ZH8-0880 99101-ZH8-0900 99101-ZH8-0920	JET, MAIN, #88 .....	(1)	-	(1)	(1)	VKX4, VPE2, VPE4, VPE5, VPX4, VPX5, VPX9, VS37, VS39	
		JET, MAIN, #90 .....	(1)	-	(1)	(1)	VKX4, VPE2, VPE4, VPE5, VPX4, VPX5, VPX9, VS37, VS39	
		JET, MAIN, #92 .....	1	-	1	1	VKX4, VPE2, VPE4, VPE5, VPX4, VPX5, VPX9, VS37, VS39	
44	99204-ZE2-0400	JET SET, PILOT, #40 .....	1	-	1	1	VKX4, VPE2, VPE4, VPE5, VPX4, VPX5, VPX9, VS37, VS39	
45	16220-ZA0-702	SPACER COMP., CARBURETOR ....	-	-	-	1	VKX4, VPE4, VPE5, VPX4, VPX5, VS37	

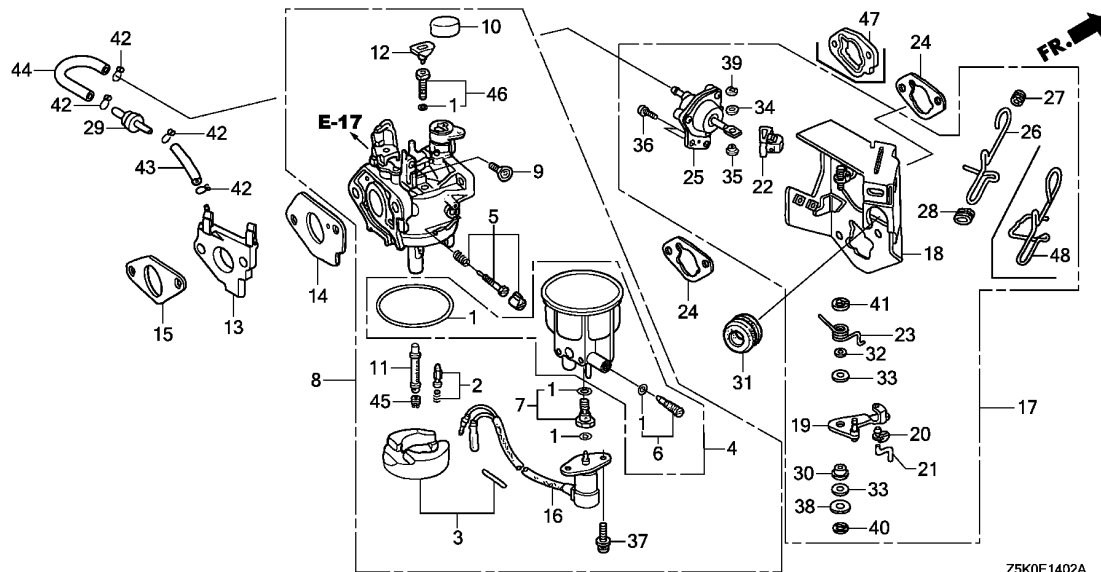




E-14-2

CARBURETOR(3)

H 4



Z5K0E1402A

Ref. No.	L.O.N.	(Relative ref. Number) Description	F.R.T.
----------	--------	------------------------------------	--------

Ref. No.	Part No.	Description	Reqd. QTY				Serial No.	Parts catalogue code
			GX 270 UT	GX 270 UT2	GX 270 RT	GX 270 RT2		
1	16010-ZE3-701	GASKET SET .....	-	-	1	1	-----	VKE4,VMT2
2	16011-ZA0-931	VALVE SET, FLOAT .....	-	-	1	1	-----	VKE4,VMT2
3	16013-Z1C-003	FLOAT SET .....	-	-	1	1	-----	VKE4,VMT2
4	16015-ZA0-931	CHAMBER SET, FLOAT .....	-	-	1	1	-----	VKE4,VMT2
5	16016-ZH8-W01	SCREW SET .....	-	-	-	1	-----	VKE4
	16016-ZH7-W01	SCREW SET, PILOT .....	-	-	-	1	-----	VKE4,VMT2
6	16024-124-760	SCREW SET, DRAIN .....	-	-	1	1	-----	VKE4,VMT2
7	16028-ZA0-931	SCREW SET .....	-	-	1	1	-----	VKE4,VMT2
8	16100-Z5K-V11	CARBURETOR ASSY.(BE77W A) .....	-	-	-	1	-----	VKE4
	16100-ZBC-841	CARBURETOR ASSY.(BE98C A) .....	-	-	-	1	-----	VKE4,VMT2
9	16124-ZE0-005	SCREW, THROTTLE STOP .....	-	-	1	1	-----	VKE4,VMT2
10	16148-141-881	CAP, CHOKE DUST .....	-	-	1	1	-----	VKE4,VMT2
11	16166-ZH9-820	NOZZLE, MAIN .....	-	-	1	-	-----	VKE4
	16166-Z1D-D51	.....	-	-	-	1	-----	VKE4,VMT2
12	16172-ZE3-W10	COLLAR, SETTING .....	-	-	1	1	-----	VKE4,VMT2
13	16211-ZE2-700	INSULATOR, CARBURETOR .....	-	-	1	-	-----	VKE4
	16211-ZE2-701	.....	-	-	-	1	-----	VKE4,VMT2
14	16221-ZA0-800	PACKING, CARBURETOR .....	-	-	-	1	-----	VKE4
	16221-Z5K-000	.....	-	-	-	1	-----	VKE4,VMT2
15	16223-ZA0-800	PACKING, INSULATOR .....	-	-	1	-	-----	VKE4
	16212-Z5K-000	.....	-	-	-	1	-----	VKE4,VMT2
16	16230-ZE3-702	VALVE ASSY., SOLENOID .....	-	-	1	1	-----	VKE4,VMT2
17	16260-ZE2-723	STAY ASSY., MANUAL CHOKE .....	-	-	-	1	-----	VKE4
	16260-ZE3-D22	.....	-	-	-	1	-----	VKE4,VMT2
18	16261-ZE2-702	STAY COMP., SOLENOID .....	-	-	1	1	-----	VKE4,VMT2
19	16262-ZE2-711	LEVER, CHOKE .....	-	-	1	1	-----	VKE4,VMT2

**E-14-2**

**CARBURETOR(3)**

**H 5**

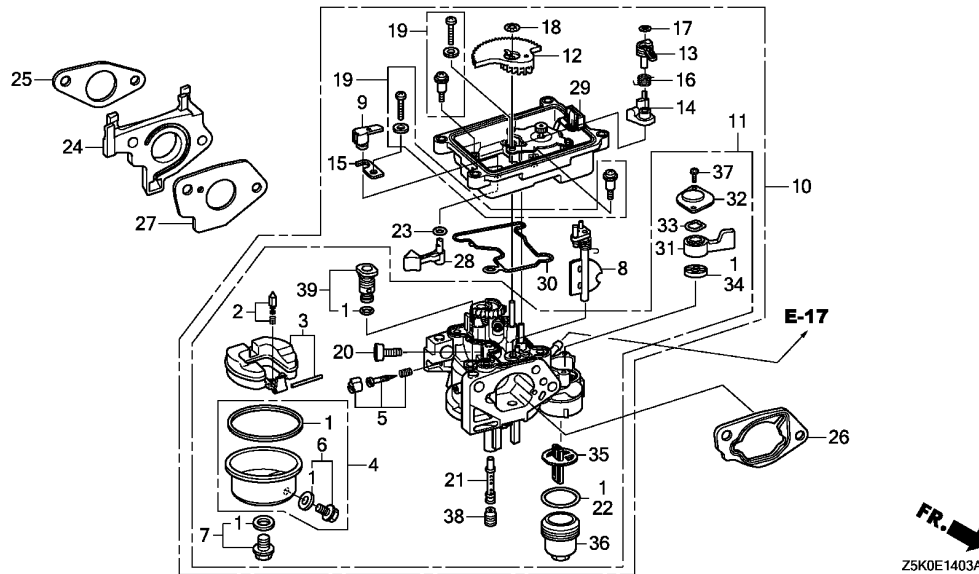
Ref. No.	Part No.	Description	Reqd. QTY				Serial No.	Parts catalogue code
			GX 270 UT	GX 270 UT2	GX 270 RT	GX 270 RT2		
20	16263-ZA0-000	JOINT, ROD .....	-	-	1	1	-----	VKE4,VMT2
21	16264-ZE2-701	ROD, CHOKE .....	-	-	1	1	-----	VKE4,VMT2
22	16265-ZE2-721	STOPPER, CHOKE ROD .....	-	-	1	1	-----	VKE4,VMT2
23	16268-ZE2-721	SPRING, MANUAL CHOKE .....	-	-	1	1	-----	VKE4,VMT2
24	16269-ZA0-800	PACKING, AIR CLEANER .....	-	-	2	-	-----	VKE4
	17228-Z5T-000	.....	-	-	-	1	-----	VKE4,VMT2
25	16400-ZE2-704	DIAPHRAGM ASSY. ....	-	-	1	1	-----	VKE4,VMT2
26	16611-ZE2-711	ROD, CHOKE CONTROL .....	-	-	1	-	-----	VKE4
27	16613-893-000	GROMMET, CHOKE ROD .....	-	-	1	1	-----	VKE4,VMT2
28	16615-893-000	GUIDE, CHOKE ROD .....	-	-	1	1	-----	VKE4,VMT2
29	36135-ZF6-D41	VALVE, DASHPOT CHECK .....	-	-	1	1	-----	VKE4,VMT2
30	53149-964-003	BUSH, ARM PIVOT .....	-	-	1	1	-----	VKE4,VMT2
31	88911-MJ3-000	GROMMET, FENDER .....	-	-	1	1	-----	VKE4,VMT2
32	90431-ZE2-700	WASHER, CHOKE LEVER .....	-	-	1	1	-----	VKE4,VMT2
33	90432-ZE2-700	SEAL, CHOKE LEVER .....	-	-	2	2	-----	VKE4,VMT2
34	90433-ZE2-700	WASHER, THRUST, 2.7X8 .....	-	-	1	1	-----	VKE4,VMT2
35	90434-ZE2-700	COLLAR, LEVER .....	-	-	1	1	-----	VKE4,VMT2
36	93500-05012-0A	SCREW, PAN, 5X12 .....	-	-	2	2	-----	VKE4,VMT2
37	93892-05012-18	SCREW-WASHER, 5X12 .....	-	-	2	2	-----	VKE4,VMT2
38	94103-05000	WASHER, PLAIN, 5MM .....	-	-	1	1	-----	VKE4,VMT2
39	94540-02010	E-RING, 2MM .....	-	-	1	1	-----	VKE4,VMT2
40	94540-04010	E-RING, 4MM .....	-	-	1	1	-----	VKE4,VMT2
41	94540-07010	E-RING, 7MM .....	-	-	1	1	-----	VKE4,VMT2
42	95002-02070	CLIP, TUBE(B7) .....	-	-	4	4	-----	VKE4,VMT2
43	95005-35055-10	TUBE, 3.5X55(95005-35001-10M)	-	-	1	1	-----	VKE4,VMT2
44	95005-35075-10	TUBE, 3.5X75(95005-35001-10M)	-	-	1	1	-----	VKE4,VMT2
45	99101-ZH8-0880	JET, MAIN, #88 .....	-	-	(1)	(1)	-----	VKE4,VMT2
	99101-ZH8-0900	JET, MAIN, #90 .....	-	-	(1)	(1)	-----	VKE4,VMT2
	99101-ZH8-0920	JET, MAIN, #92 .....	-	-	1	1	-----	VKE4,VMT2
46	99204-ZE2-0400	JET SET, PILOT, #40 .....	-	-	1	-	-----	VKE4
	99204-ZE0-0380	JET SET, PILOT, #38 .....	-	-	-	1	-----	VKE4,VMT2
47	16220-ZA0-702	SPACER COMP., CARBURETOR .....	-	-	-	1	-----	VKE4,VMT2
48	16611-ZE3-D21	ROD, CHOKE CONTROL .....	-	-	-	1	-----	VKE4,VMT2

**2**

# E-14-3

# CARBURETOR(4)

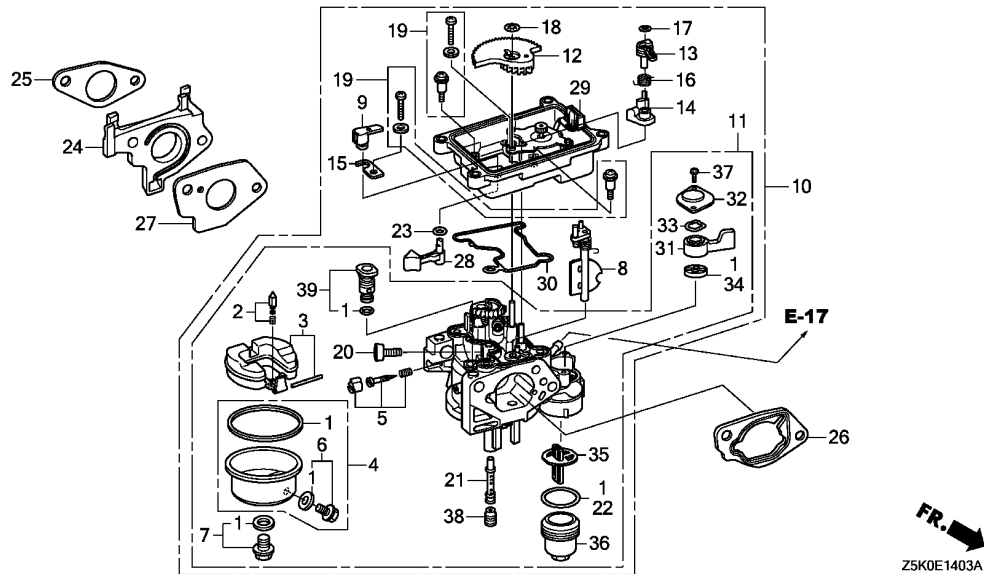
H 6



Ref. No.	L.O.N. (Relative ref. Number)	Description	F.R.T.
----------	-------------------------------	-------------	--------

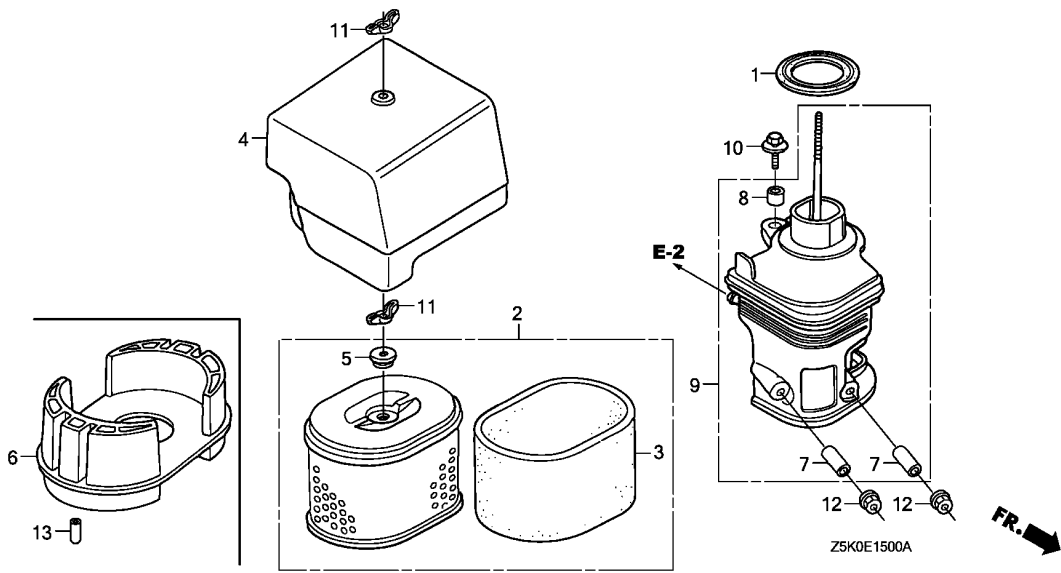
Ref. No.	Part No.	Description	Reqd. QTY				Serial No.	Parts catalogue code
			GX 270 UT	GX 270 UT2	GX 270 RT	GX 270 RT2		
1	16010-ZE2-812	GASKET SET .....	-	1	-	-	PZX8,QZA2,QZAV,QZK4,QZM2,QZMH,QZX4,QZXR,VZX7	
2	16011-ZA0-931	VALVE SET, FLOAT .....	-	1	-	-	PZX8,QZA2,QZAV,QZK4,QZM2,QZMH,QZX4,QZXR,VZX7	
3	16013-Z1C-003	FLOAT SET .....	-	1	-	-	PZX8,QZA2,QZAV,QZK4,QZM2,QZMH,QZX4,QZXR,VZX7	
4	16015-Z5T-901	CHAMBER SET, FLOAT .....	-	1	-	-	PZX8,QZA2,QZAV,QZK4,QZM2,QZMH,QZX4,QZXR,VZX7	
5	16016-ZH7-W01	SCREW SET, PILOT .....	-	1	-	-	PZX8,QZA2,QZAV,QZK4,QZM2,QZMH,QZX4,QZXR,VZX7	
6	16024-Z5T-901	SCREW SET, DRAIN .....	-	1	-	-	PZX8,QZA2,QZAV,QZK4,QZM2,QZMH,QZX4,QZXR,VZX7	
7	16028-Z5T-901	SCREW SET .....	-	1	-	-	PZX8,QZA2,QZAV,QZK4,QZM2,QZMH,QZX4,QZXR,VZX7	
8	16044-Z8T-W01	CHOKE SET .....	-	1	-	-	PZX8,QZA2,QZAV,QZK4,QZM2,QZMH,QZX4,QZXR,VZX7	
9	16045-Z5T-W01	ARM, MANUAL START .....	-	1	-	-	PZX8,QZA2,QZAV,QZK4,QZM2,QZMH,QZX4,QZXR,VZX7	
10	16100-Z5K-W01	CARBURETOR ASSY. (BE90A A) .....	-	1	-	-	PZX8,QZA2,QZAV,QZX4,VZX7	
	16100-Z5K-W02	.....	-	1	-	-	QZK4,QZM2,QZMH,QZXR	
11	16110-Z5K-W01	CARBURETOR SET .....	-	1	-	-	PZX8,QZA2,QZAV,QZX4,VZX7	
	16110-Z5K-W02	.....	-	1	-	-	QZK4,QZM2,QZMH,QZXR	
12	16111-Z5T-W01	GEAR, MIDDLE .....	-	1	-	-	PZX8,QZA2,QZAV,QZK4,QZM2,QZMH,QZX4,QZXR,VZX7	
13	16112-Z5T-W01	ARM, CHOKE .....	-	1	-	-	PZX8,QZA2,QZAV,QZK4,QZM2,QZMH,QZX4,QZXR,VZX7	
14	16113-Z5T-W01	LEVER, CHOKE CONTROL .....	-	1	-	-	PZX8,QZA2,QZAV,QZK4,QZM2,QZMH,QZX4,QZXR,VZX7	
15	16115-Z5T-W01	PLATE .....	-	1	-	-	PZX8,QZA2,QZAV,QZK4,QZM2,QZMH,QZX4,QZXR,VZX7	
16	16116-Z5T-W01	SPRING, TORSION COIL .....	-	1	-	-	PZX8,QZA2,QZAV,QZK4,QZM2,QZMH,QZX4,QZXR,VZX7	
17	16117-Z5T-W01	CLIP, SPECIAL .....	-	1	-	-	PZX8,QZA2,QZAV,QZK4,QZM2,QZMH,QZX4,QZXR,VZX7	
18	16118-Z5T-W01	CLIP, SPECIAL .....	-	1	-	-	PZX8,QZA2,QZAV,QZK4,QZM2,QZMH,QZX4,QZXR,VZX7	
19	16119-Z5T-W01	SCREW SET .....	-	2	-	-	PZX8,QZA2,QZAV,QZK4,QZM2,QZMH,QZX4,QZXR,VZX7	
20	16124-Z5T-W01	SCREW, STOP .....	-	1	-	-	PZX8,QZA2,QZAV,QZK4,QZM2,QZMH,QZX4,QZXR,VZX7	
21	16166-Z8T-W01	NOZZLE, MAIN .....	-	1	-	-	PZX8,QZA2,QZAV,QZK4,QZM2,QZMH,QZX4,QZXR,VZX7	
22	16173-001-004	PACKING, FUEL STRAINER CUP ..	-	1	-	-	PZX8,QZA2,QZAV,QZK4,QZM2,QZMH,QZX4,QZXR,VZX7	
23	16178-ZJ0-911	O-RING .....	-	1	-	-	PZX8,QZA2,QZAV,QZK4,QZM2,QZMH,QZX4,QZXR,VZX7	

2



Ref. No.	Part No.	Description	Reqd. QTY				Serial No.	Parts catalogue code
			GX 270 UT	GX 270 UT2	GX 270 RT	GX 270 RT2		
24	16211-Z5K-W00	INSULATOR, CARBURETOR	-	1	-	-	PZX8,QZA2,QZAV,QZK4,QZM2,QZMH,QZX4,QZXR,VZX7	
25	16212-Z5K-000	PACKING, INSULATOR	-	1	-	-	PZX8,QZA2,QZAV,QZK4,QZM2,QZMH,QZX4,QZXR,VZX7	
26	16220-ZA0-702	SPACER COMP., CARBURETOR	-	1	-	-	PZX8,QZA2,QZAV,QZM2,QZMH,QZX4,QZXR,VZX7	
27	16221-Z5K-000	PACKING, CARBURETOR	-	1	-	-	PZX8,QZA2,QZAV,QZK4,QZM2,QZMH,QZX4,QZXR,VZX7	
28	16612-Z5T-W01	LEVER, MANUAL START	-	1	-	-	PZX8,QZA2,QZAV,QZK4,QZM2,QZMH,QZX4,QZXR,VZX7	
29	16646-Z5T-W01	CASE COMP., MOTOR	-	1	-	-	PZX8,QZA2,QZAV,QZK4,QZM2,QZMH,QZX4,QZXR,VZX7	
30	16648-Z5T-W01	U-RING	-	1	-	-	PZX8,QZA2,QZAV,QZK4,QZM2,QZMH,QZX4,QZXR,VZX7	
31	16953-ZE1-812	LEVER, COCK	-	1	-	-	PZX8,QZA2,QZAV,QZK4,QZM2,QZMH,QZX4,QZXR,VZX7	
32	16954-ZE1-812	PLATE, LEVER SETTING	-	1	-	-	PZX8,QZA2,QZAV,QZK4,QZM2,QZMH,QZX4,QZXR,VZX7	
33	16956-ZE1-811	SPRING, COCK LEVER	-	1	-	-	PZX8,QZA2,QZAV,QZK4,QZM2,QZMH,QZX4,QZXR,VZX7	
34	16957-ZE1-812	PACKING, FUEL COCK	-	1	-	-	PZX8,QZA2,QZAV,QZK4,QZM2,QZMH,QZX4,QZXR,VZX7	
35	16959-Z5T-901	FILTER, CUP	-	1	-	-	PZX8,QZA2,QZAV,QZK4,QZM2,QZMH,QZX4,QZXR,VZX7	
36	16967-ZE0-811	CUP, FUEL STRAINER	-	1	-	-	PZX8,QZA2,QZAV,QZK4,QZM2,QZMH,QZX4,QZXR,VZX7	
37	93500-03006-1H	SCREW, PAN, 3X6	-	2	-	-	PZX8,QZA2,QZAV,QZK4,QZM2,QZMH,QZX4,QZXR,VZX7	
38	99101-ZH8-0880	JET, MAIN, #88	-	1	-	-	PZX8,QZA2,QZAV,QZX4,VZX7	
	99101-ZH8-0850	JET, MAIN, #85	-	1	-	-	QZK4,QZM2,QZMH,QZXR	
39	99204-ZE0-0380	JET SET, PILOT, #38	-	1	-	-	PZX8,QZA2,QZAV,QZK4,QZM2,QZMH,QZX4,QZXR,VZX7	





Ref. No.	L.O.N.	(Relative ref. Number) Description	F.R.T.
----------	--------	------------------------------------	--------

Ref. No.	Part No.	Description	Reqd. QTY				Serial No.	Parts catalogue code
			GX 270	GX 270	GX 270	GX 270		
1	16271-ZE2-010	PACKING, ELBOW .....	1	-	1	-	HA2,HEA2,HEA8,HX26,HX8,HXQ4,LXE8,LXQ4,LXU,PA2,PAE2,PX26,PXE8 PXED,PXU,QA2,QA26,QA4,QAE2,QAE6,QAG2,QAQ4,QAR2,QAW,QE,QH26 QHB4,QHQ4,QKE4,QME2,QSE8,QXB6,QXE4,QXE8,QXQ4,QXU,QXUZ,RA2,RH26 RHE2,RHE4,RHG4,RHQ4,RSC2,RXQ4,RXU,SHQ4,SMC2,SMC4,SME1,SME6 SWA2,SWA4,SWC4,SWS4,SXE4,SXE8,SXQ4,SXU,VA2,VAG2,VDE2,VKB2,VKQ4 VNT2,VW12,VWA2,VWN2,VX2,VXE6,VXQ4,VXU1 QKE4,QZK4	
2	17210-ZE2-822	ELEMENT, AIR CLEANER(DUAL) ..	-	1	-	-	HA2,HEA2,HEA8,HX26,HX8,HXQ4,LXE8,LXQ4,LXU,PA2,PAE2,PX26,PXE8 PXED,PXU,QA2,QA26,QA4,QAE2,QAE6,QAG2,QAQ4,QAR2,QAW,QE,QH26 QHB4,QHQ4,QKE4,QME2,QSE8,QXB6,QXE4,QXE8,QXQ4,QXU,QXUZ,RA2,RH26 RHE2,RHE4,RHG4,RHQ4,RSC2,RXQ4,RXU,SHQ4,SMC2,SMC4,SME1,SME6 SWA2,SWA4,SWC4,SWS4,SXE4,SXE8,SXQ4,SXU,VA2,VAG2,VDE2,VKB2,VKQ4 VNT2,VW12,VWA2,VWN2,VX2,VXE6,VXQ4,VXU1 QKE4,QZK4	
3	17218-ZE2-821	FILTER, OUTER .....	1	-	1	-	HA2,HEA2,HEA8,HX26,HX8,HXQ4,LXE8,LXQ4,LXU,PA2,PAE2,PX26,PXE8 PXED,PXU,QA2,QA26,QA4,QAE2,QAE6,QAG2,QAQ4,QAR2,QAW,QE,QH26 QHB4,QHQ4,QKE4,QME2,QSE8,QXB6,QXE4,QXE8,QXQ4,QXU,QXUZ,RA2,RH26 RHE2,RHE4,RHG4,RHQ4,RSC2,RXQ4,RXU,SHQ4,SMC2,SMC4,SME1,SME6 SWA2,SWA4,SWC4,SWS4,SXE4,SXE8,SXQ4,SXU,VA2,VAG2,VDE2,VKB2,VKQ4 VNT2,VW12,VWA2,VWN2,VX2,VXE6,VXQ4,VXU1 QKE4,QZK4	
4	17231-ZH9-820	COVER, AIR CLEANER .....	1	-	1	-	HA2,HEA2,HEA8,HX26,HX8,HXQ4,LXE8,LXQ4,LXU,PA2,PAE2,PX26,PXE8 PXED,PXU,QA2,QA26,QA4,QAE2,QAE6,QAG2,QAQ4,QAR2,QAW,QE,QH26 QHB4,QHQ4,QME2,QSE8,QXB6,QXE4,QXE8,QXQ4,QXU,QXUZ,RA2,RH26,RHE2 RHE4,RHG4,RHQ4,RSC2,RXQ4,RXU,SHQ4,SMC2,SMC4,SME1,SME6,SWA2 SWA4,SWC4,SWS4,SXE4,SXE8,SXQ4,SXU,VA2,VAG2,VDE2,VKB2,VKQ4,VNT2 VW12,VWA2,VWN2,VX2,VXE6,VXQ4,VXU1	

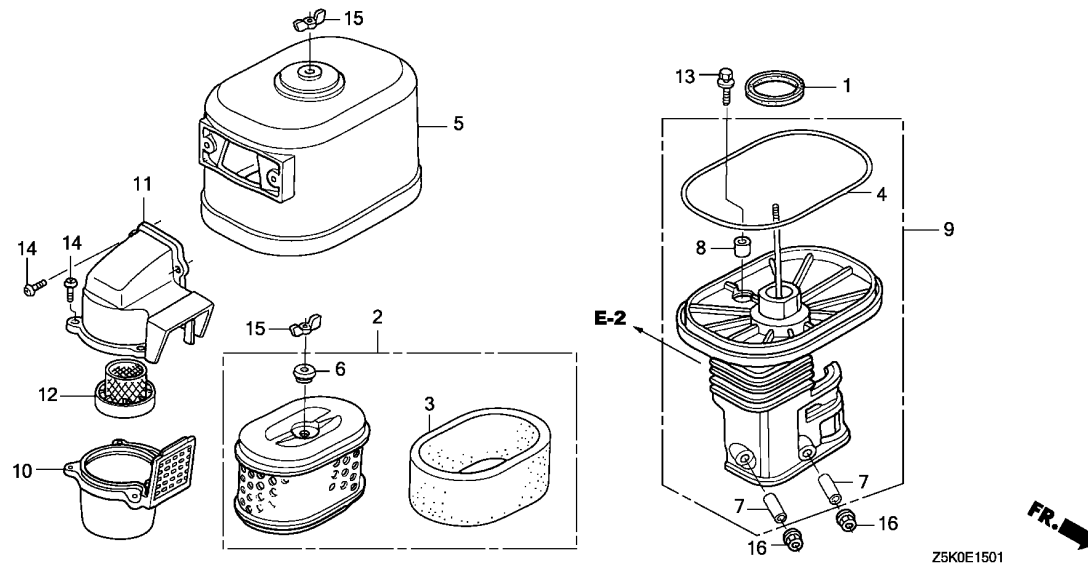
Ref. No.	Part No.	Description	Reqd. QTY				Serial No.	Parts catalogue code
			GX 270 UT	GX 270 UT2	GX 270 RT	GX 270 RT2		
5	17232-891-000	GROMMET, AIR CLEANER .....	1	-	1	-	HA2,HEA2,HEA8,HX26,HX8,HXQ4,LXE8,LXQ4,LXU,PA2,PAE2,PX26,PXE8 PXED,PXU,QA2,QA26,QA4,QA2,QA6,QAG2,QAQ4,QAR2,QAW,QE,QH26 QHB4,QHQ4,QKE4,QME2,QSE8,QXB6,QXE4,QXE8,QXQ4,QXU,QXUZ,RA2,RH26 RHE2,RHE4,RHG4,RHQ4,RSC2,RXQ4,RXU,SHQ4,SMC2,SMC4,SME1,SME6 SWA2,SWA4,SWC4,SWS4,SXE4,SXE8,SXQ4,SXU,VA2,VAG2,VDE2,VKB2,VKQ4 VNT2,VW12,VWA2,VWN2,VX2,VXE6,VXQ4,VXU1 QKE4,QZK4	
6	17235-ZE2-820	NOSE, SILENCER .....	1	-	-	-	HX26,HX8,HXQ4,LXE8,LXQ4,LXU,PX26,PXE8,PXED,PXU,QE,QME2,QSE8 QXB6,QXE4,QXE8,QXQ4,QXU,QXUZ,RXQ4,RXU,SME1,SWA2,SWA4,SXE4,SXE8 SXQ4,SXU,VX2,VXE6,VXQ4,VXU1	
7	17235-Z5H-000 17238-ZE2-310	..... COLLAR, AIR CLEANER .....	-	-	1	-	RSC2,VAG2,VDE2,VKB2,VNT2,VW12,VWA2,VWN2	
7	17238-ZE2-310	COLLAR, AIR CLEANER .....	2	-	2	-	HA2,HEA2,HEA8,HX26,HX8,HXQ4,LXE8,LXQ4,LXU,PA2,PAE2,PX26,PXE8 PXED,PXU,QA2,QA26,QA4,QA2,QA6,QAG2,QAQ4,QAR2,QAW,QE,QH26 QHB4,QHQ4,QKE4,QME2,QSE8,QXB6,QXE4,QXE8,QXQ4,QXU,QXUZ,RA2,RH26 RHE2,RHE4,RHG4,RHQ4,RSC2,RXQ4,RXU,SHQ4,SMC2,SMC4,SME1,SME6 SWA2,SWA4,SWC4,SWS4,SXE4,SXE8,SXQ4,SXU,VA2,VAG2,VDE2,VKB2,VKQ4 VNT2,VW12,VWA2,VWN2,VX2,VXE6,VXQ4,VXU1 QKE4,QZK4	
8	17239-ZE1-000	COLLAR B, AIR CLEANER .....	1	-	1	-	HA2,HEA2,HEA8,HX26,HX8,HXQ4,LXE8,LXQ4,LXU,PA2,PAE2,PX26,PXE8 PXED,PXU,QA2,QA26,QA4,QA2,QA6,QAG2,QAQ4,QAR2,QAW,QE,QH26 QHB4,QHQ4,QKE4,QME2,QSE8,QXB6,QXE4,QXE8,QXQ4,QXU,QXUZ,RA2,RH26 RHE2,RHE4,RHG4,RHQ4,RSC2,RXQ4,RXU,SHQ4,SMC2,SMC4,SME1,SME6 SWA2,SWA4,SWC4,SWS4,SXE4,SXE8,SXQ4,SXU,VA2,VAG2,VDE2,VKB2,VKQ4 VNT2,VW12,VWA2,VWN2,VX2,VXE6,VXQ4,VXU1 QKE4,QZK4	
9	17410-ZE2-020	ELBOW COMP., AIR CLEANER .....	1	-	1	-	HA2,HEA2,HEA8,HX26,HX8,HXQ4,LXE8,LXQ4,LXU,PA2,PAE2,PX26,PXE8 PXED,PXU,QA2,QA26,QA4,QA2,QA6,QAG2,QAQ4,QAR2,QAW,QE,QH26 QHB4,QHQ4,QKE4,QME2,QSE8,QXB6,QXE4,QXE8,QXQ4,QXU,QXUZ,RA2,RH26 RHE2,RHE4,RHG4,RHQ4,RSC2,RXQ4,RXU,SHQ4,SMC2,SMC4,SME1,SME6 SWA2,SWA4,SWC4,SWS4,SXE4,SXE8,SXQ4,SXU,VA2,VAG2,VDE2,VKB2,VKQ4 VNT2,VW12,VWA2,VWN2,VX2,VXE6,VXQ4,VXU1 QKE4,QZK4	
10	90009-Z1C-000	BOLT-WASHER, 6X22 .....	1	-	1	-	HA2,HEA2,HEA8,HX26,HX8,HXQ4,LXE8,LXQ4,LXU,PA2,PAE2,PX26,PXE8 PXED,PXU,QA2,QA26,QA4,QA2,QA6,QAG2,QAQ4,QAR2,QAW,QE,QH26 QHB4,QHQ4,QKE4,QME2,QSE8,QXB6,QXE4,QXE8,QXQ4,QXU,QXUZ,RA2,RH26 RHE2,RHE4,RHG4,RHQ4,RSC2,RXQ4,RXU,SHQ4,SMC2,SMC4,SME1,SME6 SWA2,SWA4,SWC4,SWS4,SXE4,SXE8,SXQ4,SXU,VA2,VAG2,VDE2,VKB2,VKQ4 VNT2,VW12,VWA2,VWN2,VX2,VXE6,VXQ4,VXU1 QKE4,QZK4	
11	90325-044-000	NUT, TOOL BOX SETTING .....	2	-	-	-	HA2,HEA2,HEA8,HX26,HX8,HXQ4,LXE8,LXQ4,LXU,PA2,PAE2,PX26,PXE8 PXED,PXU,QA2,QA26,QA4,QA2,QA6,QAG2,QAQ4,QAR2,QAW,QE,QH26 QHB4,QHQ4,QME2,QSE8,QXB6,QXE4,QXE8,QXQ4,QXU,QXUZ,RA2,RH26,RHE2 RHE4,RHG4,RHQ4,RXQ4,RXU,SHQ4,SMC2,SMC4,SME1,SME6,SWA2,SWA4 SWC4,SWS4,SXE4,SXE8,SXQ4,SXU,VA2,VKQ4,VWA2,VX2,VXE6,VXQ4,VXU1 QKE4 QKE4,QZK4	
12	94050-06000	NUT, FLANGE, 6MM .....	2	-	2	-	RSC2,VAG2,VDE2,VKB2,VNT2,VW12,VWA2,VWN2 HA2,HEA2,HEA8,HX26,HX8,HXQ4,LXE8,LXQ4,LXU,PA2,PAE2,PX26,PXE8 PXED,PXU,QA2,QA26,QA4,QA2,QA6,QAG2,QAQ4,QAR2,QAW,QE,QH26 QHB4,QHQ4,QKE4,QME2,QSE8,QXB6,QXE4,QXE8,QXQ4,QXU,QXUZ,RA2,RH26 RHE2,RHE4,RHG4,RHQ4,RSC2,RXQ4,RXU,SHQ4,SMC2,SMC4,SME1,SME6 SWA2,SWA4,SWC4,SWS4,SXE4,SXE8,SXQ4,SXU,VA2,VAG2,VDE2,VKB2,VKQ4 VNT2,VW12,VWA2,VWN2,VX2,VXE6,VXQ4,VXU1 QKE4,QZK4	
13	90634-ZL8-H00	CAP, SEALING .....	-	-	1	-	RSC2,VAG2,VDE2,VKB2,VNT2,VW12,VWA2,VWN2	



# E-15-1

# AIR CLEANER(2)

H10



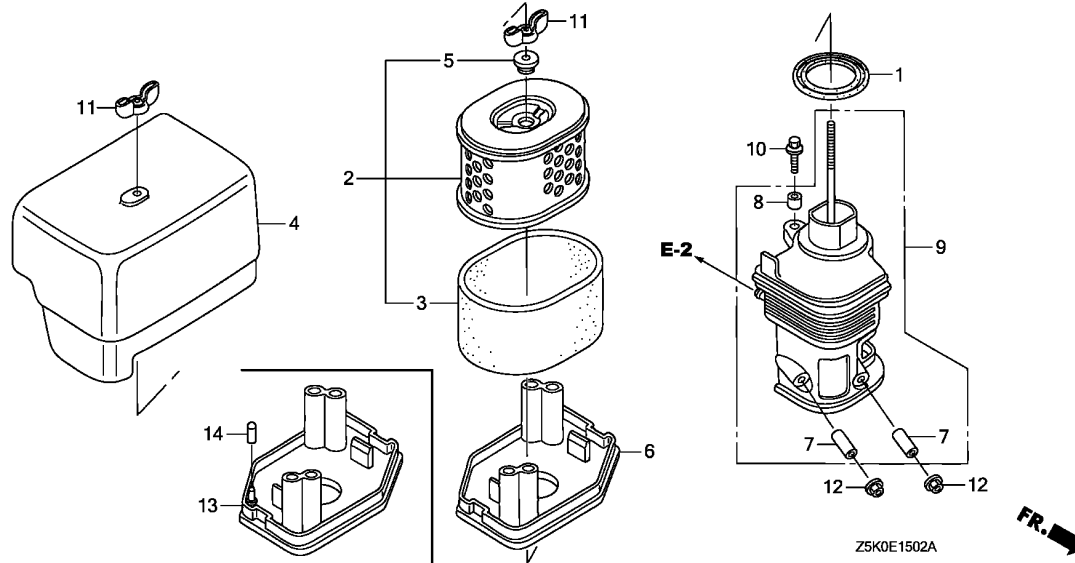
Ref. L.O.N. (Relative ref. Number) F.R.T.  
No. Description

Ref. No.	Part No.	Description	Reqd. QTY				Serial No.	Parts catalogue code
			GX 270 UT	GX 270 UT2	GX 270 RT	GX 270 RT2		
1	16271-ZE2-010	PACKING, ELBOW .....	1	1	-	-	QSC9,QWA4,QWH2,QXC2,QXC4,QXC6,QXC9,QXCU,VMA4,VME4	
2	17210-ZE3-010	ELEMENT, AIR CLEANER .....	1	1	-	-	QSC9,QWA4,QWH2,QXC2,QXC4,QXC6,QXC9,QXCU,VMA4,VME4	
3	17218-ZE3-000	FILTER, OUTER .....	1	1	-	-	QSC9,QWA4,QWH2,QXC2,QXC4,QXC6,QXC9,QXCU,VMA4,VME4	
4	17219-ZE3-840	PACKING, AIR CLEANER COVER ..	1	1	-	-	QSC9,QWA4,QWH2,QXC2,QXC4,QXC6,QXC9,QXCU,VMA4,VME4	
5	17230-ZE3-841	COVER COMP., AIR CLEANER (CYCLONE)	1	1	-	-	QSC9,QWA4,QWH2,QXC2,QXC4,QXC6,QXC9,QXCU,VMA4,VME4	
6	17232-891-000	GROMMET, AIR CLEANER .....	1	1	-	-	QSC9,QWA4,QWH2,QXC2,QXC4,QXC6,QXC9,QXCU,VMA4,VME4	
7	17238-ZE2-310	COLLAR, AIR CLEANER .....	2	2	-	-	QSC9,QWA4,QWH2,QXC2,QXC4,QXC6,QXC9,QXCU,VMA4,VME4	
8	17239-ZE3-840	COLLAR B, AIR CLEANER .....	1	1	-	-	QSC9,QWA4,QWH2,QXC2,QXC4,QXC6,QXC9,QXCU,VMA4,VME4	
9	17410-ZE3-840	ELBOW COMP., AIR CLEANER .....	1	1	-	-	QSC9,QWA4,QWH2,QXC2,QXC4,QXC6,QXC9,QXCU,VMA4,VME4	
10	17470-ZE3-842	CASE COMP., PRE AIR CLEANER ..	1	1	-	-	QSC9,QWA4,QWH2,QXC2,QXC4,QXC6,QXC9,QXCU,VMA4,VME4	
11	17475-ZE3-841	CAP, PRE AIR CLEANER .....	1	1	-	-	QSC9,QWA4,QWH2,QXC2,QXC4,QXC6,QXC9,QXCU,VMA4,VME4	
12	17476-ZE3-841	GUIDE, PRE AIR CLEANER .....	1	1	-	-	QSC9,QWA4,QWH2,QXC2,QXC4,QXC6,QXC9,QXCU,VMA4,VME4	
13	90009-Z1C-000	BOLT-WASHER, 6X22 .....	1	1	-	-	QSC9,QWA4,QWH2,QXC2,QXC4,QXC6,QXC9,QXCU,VMA4,VME4	
14	90142-MB0-000	SCREW, PAN, 5X16.5 .....	5	5	-	-	QSC9,QWA4,QWH2,QXC2,QXC4,QXC6,QXC9,QXCU,VMA4,VME4	
15	90325-044-000	NUT, TOOL BOX SETTING .....	2	2	-	-	QSC9,QWA4,QWH2,QXC2,QXC4,QXC6,QXC9,QXCU,VMA4,VME4	
16	94050-06000	NUT, FLANGE, 6MM .....	2	2	-	-	QSC9,QWA4,QWH2,QXC2,QXC4,QXC6,QXC9,QXCU,VMA4,VME4	

E-15-2

AIR CLEANER(3)

H11

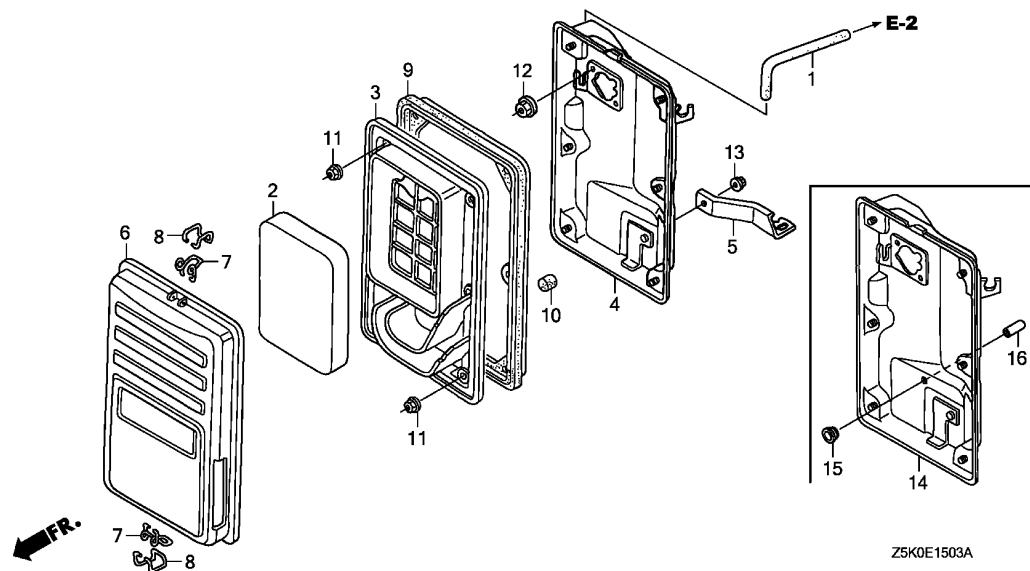


Ref. No.	L.O.N.	(Relative ref. Number) Description	F.R.T.
----------	--------	------------------------------------	--------

Ref. No.	Part No.	Description	Reqd. QTY				Serial No.	Parts catalogue code
			GX 270 UT	GX 270 UT2	GX 270 RT	GX 270 RT2		
1	16271-ZE2-010	PACKING, ELBOW .....	1	-	1	-	HKS8,QXB2,QXB7,QXB9,SXB7,SXB9,VN17,VSD7,VSD9,VSH7,VWT4,VXB7,VXB9,VXE7,VXE9	
2	17210-ZE3-010	ELEMENT, AIR CLEANER .....	1	-	1	-	HKS8,QXB2,QXB7,QXB9,SXB7,SXB9,VN17,VSD7,VSD9,VSH7,VWT4,VXB7,VXB9,VXE7,VXE9	
3	17218-ZE3-000	FILTER, OUTER .....	1	-	1	-	HKS8,QXB2,QXB7,QXB9,SXB7,SXB9,VN17,VSD7,VSD9,VSH7,VWT4,VXB7,VXB9,VXE7,VXE9	
4	17231-ZH9-N01	COVER, AIR CLEANER(100DB) ...	1	-	1	-	HKS8,QXB2,QXB7,QXB9,SXB7,SXB9,VN17,VSD7,VSD9,VSH7,VWT4,VXB7,VXB9,VXE7,VXE9	
5	17232-891-000	GROMMET, AIR CLEANER .....	1	-	1	-	HKS8,QXB2,QXB7,QXB9,SXB7,SXB9,VN17,VSD7,VSD9,VSH7,VWT4,VXB7,VXB9,VXE7,VXE9	
6	17235-ZH9-N01	NOSE, SILENCER .....	1	-	-	-	HKS8,QXB2,QXB7,QXB9,SXB7,SXB9,VN17,VSD7,VSD9,VSH7,VXB7,VXB9,VXE7,VXE9	
7	17238-ZE2-310	COLLAR, AIR CLEANER .....	2	-	2	-	HKS8,QXB2,QXB7,QXB9,SXB7,SXB9,VN17,VSD7,VSD9,VSH7,VWT4,VXB7,VXB9,VXE7,VXE9	
8	17239-ZE1-000	COLLAR B, AIR CLEANER .....	1	-	1	-	HKS8,QXB2,QXB7,QXB9,SXB7,SXB9,VN17,VSD7,VSD9,VSH7,VWT4,VXB7,VXB9,VXE7,VXE9	
9	17410-ZH9-N00	ELBOW COMP., AIR CLEANER ....	1	-	1	-	HKS8,QXB2,QXB7,QXB9,SXB7,SXB9,VN17,VSD7,VSD9,VSH7,VWT4,VXB7,VXB9,VXE7,VXE9	
10	90009-Z1C-000	BOLT-WASHER, 6X22 .....	1	-	1	-	HKS8,QXB2,QXB7,QXB9,SXB7,SXB9,VN17,VSD7,VSD9,VSH7,VWT4,VXB7,VXB9,VXE7,VXE9	
11	90325-044-000	NUT, TOOL BOX SETTING .....	2	-	2	-	HKS8,QXB2,QXB7,QXB9,SXB7,SXB9,VN17,VSD7,VSD9,VSH7,VWT4,VXB7,VXB9,VXE7,VXE9	
12	94050-06000	NUT, FLANGE, 6MM .....	2	-	2	-	HKS8,QXB2,QXB7,QXB9,SXB7,SXB9,VN17,VSD7,VSD9,VSH7,VWT4,VXB7,VXB9,VXE7,VXE9	
13	17235-Z5H-800	NOSE, SILENCER .....	-	-	1	-	VN17,VSH7,VWT4	
14	90634-ZL8-H00	CAP, SEALING .....	-	-	1	-	VN17,VSH7,VWT4	

2





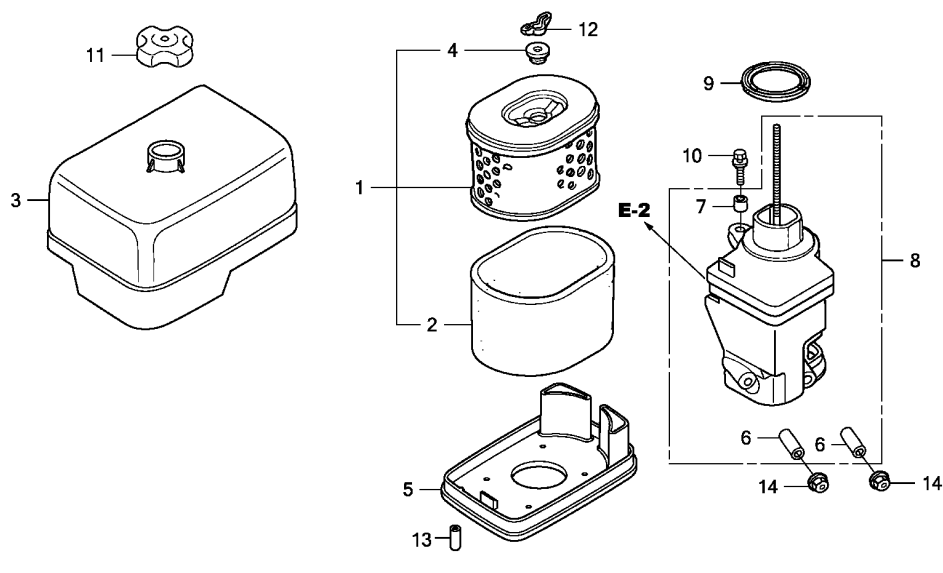
Ref. No.	L.O.N.	(Relative ref. Number) Description	F.R.T.
----------	--------	------------------------------------	--------

Ref. No.	Part No.	Description	Reqd. QTY				Serial No.	Parts catalogue code
			GX 270 UT	GX 270 UT2	GX 270 RT	GX 270 RT2		
1	15721-ZB4-000	TUBE, BREATHER .....	1	-	1	-	VKE4, VKX4, VPE2, VPE4, VPE5, VPX4, VPX5, VPX9, VS37, VS39	
2	17211-899-000	ELEMENT, AIR CLEANER .....	1	-	1	-	VKE4, VKX4, VPE2, VPE4, VPE5, VPX4, VPX5, VPX9, VS37, VS39	
3	17212-ZB4-003 17212-Z5R-000	SEPARATOR, AIR CLEANER .....	1	-	-	-	VKX4, VPX4, VPX5, VPX9, VS37, VS39	
4	17220-ZB4-003	CASE COMP., AIR CLEANER .....	1	-	-	-	VKE4, VKX4, VPE2, VPE4, VPE5, VPX4, VPX5, VPX9, VS37, VS39	
5	17222-ZB4-000	STAY, AIR CLEANER .....	1	-	1	-	VKX4, VPX4, VPX5, VPX9, VS37, VS39	
6	17231-899-000	COVER COMP., AIR CLEANER .....	1	-	1	-	VKE4, VKX4, VPE2, VPE4, VPE5, VPX4, VPX5, VPX9, VS37, VS39	
7	17235-899-000	CLIP A, AIR CLEANER WIRE .....	2	-	2	-	VKE4, VKX4, VPE2, VPE4, VPE5, VPX4, VPX5, VPX9, VS37, VS39	
8	17236-899-000	CLIP B, AIR CLEANER WIRE .....	2	-	2	-	VKE4, VKX4, VPE2, VPE4, VPE5, VPX4, VPX5, VPX9, VS37, VS39	
9	17252-899-000	SEAL, AIR CLEANER .....	1	-	1	-	VKE4, VKX4, VPE2, VPE4, VPE5, VPX4, VPX5, VPX9, VS37, VS39	
10	17367-413-690	FILTER, DRAIN TUBE .....	1	-	1	-	VKE4, VKX4, VPE2, VPE4, VPE5, VPX4, VPX5, VPX9, VS37, VS39	
11	94050-05000	NUT, FLANGE, 5MM .....	6	-	6	-	VKE4, VKX4, VPE2, VPE4, VPE5, VPX4, VPX5, VPX9, VS37, VS39	
12	94050-06000	NUT, FLANGE, 6MM .....	2	-	2	-	VKE4, VKX4, VPE2, VPE4, VPE5, VPX4, VPX5, VPX9, VS37, VS39	
13	94050-06080	NUT, FLANGE, 6MM .....	1	-	1	-	VKE4, VKX4, VPE2, VPE4, VPE5, VPX4, VPX5, VPX9, VS37, VS39	
14	17220-Z5R-000	CASE COMP., AIR CLEANER .....	-	-	1	-	VKE4, VKX4, VPE2, VPE4, VPE5, VPX4, VPX5, VPX9, VS37, VS39	
15	17232-898-000	GROMMET, AIR CLEANER .....	-	-	1	-	VKE4, VKX4, VPE2, VPE4, VPE5, VPX4, VPX5, VPX9, VS37, VS39	
16	90634-ZL8-H00	CAP, SEALING .....	-	-	1	-	VKE4, VKX4, VPE2, VPE4, VPE5, VPX4, VPX5, VPX9, VS37, VS39	



E-15-4

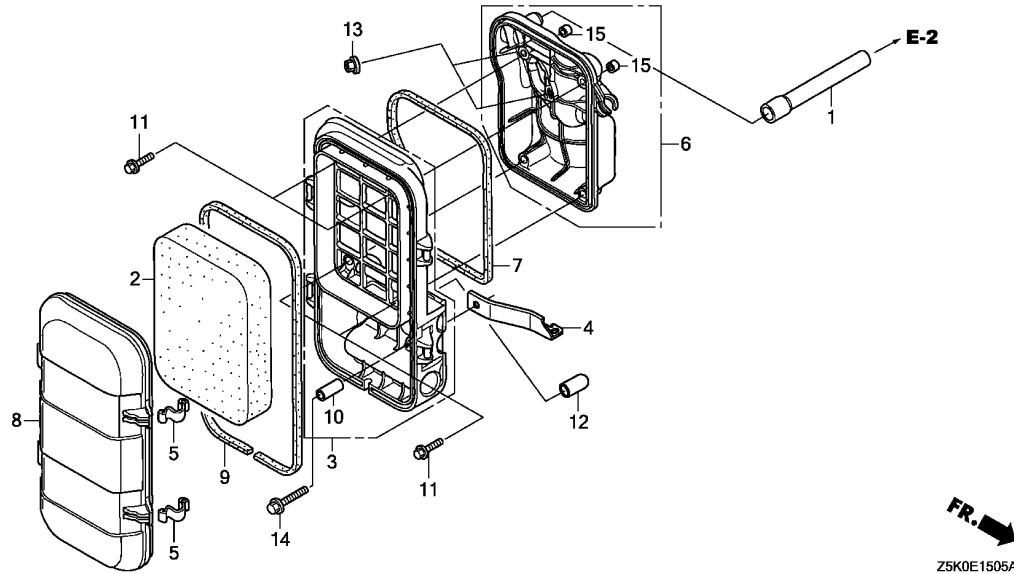
AIR CLEANER(5)



Z5K0E1504

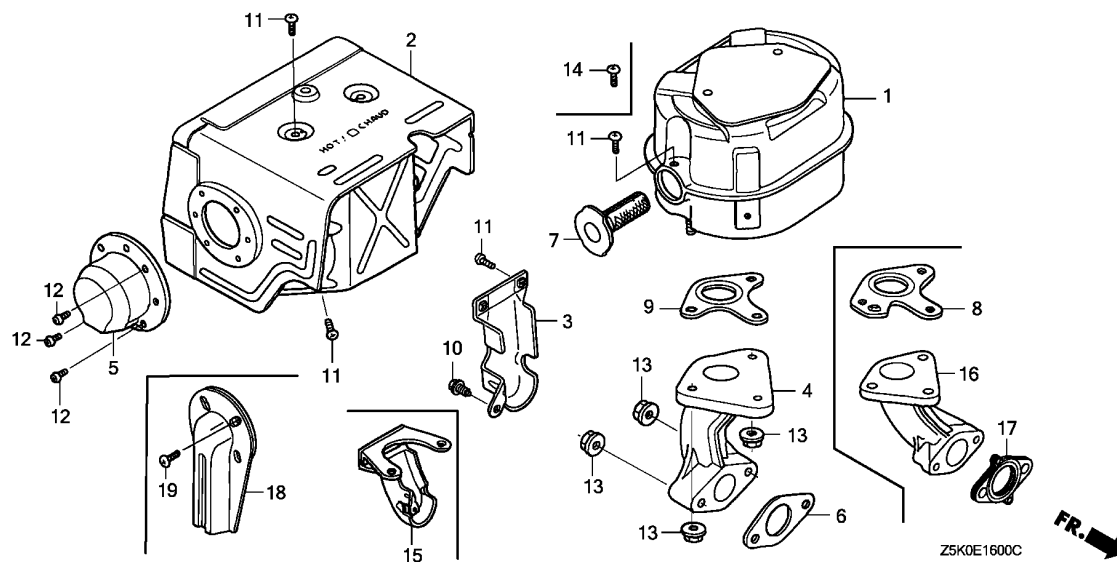
Ref. No.	Part No.	Description	Reqd. QTY				Serial No.	Parts catalogue code
			GX 270 UT	GX 270 UT2	GX 270 RT	GX 270 RT2		
4	17232-891-000	GROMMET, AIR CLEANER .....	-	1	-	1	-----	HA2,HEA2,HKS8,HX26,HX8,HXQ4,LXQ4,LXU,PA2,PAE2,PX26,PXE8,PXED PXU,PZX8,QA2,QA26,QA4,QAE2,QAG2,QAQ4,QAR2,QAW,QE,QH26,QHB4 QH4,QME2,QSE8,QXB6,QXB7,QXB9,QXE4,QXE8,QXEM,QXQ4,QXU,QXUZ QZA2,QZAV,QZK4,QZM2,QZMH,QZX4,QZXR,RA2,RDG4,RH26,RHE4,RHE5 RHG4,RHQ4,RHQ5,RSC2,RXQ4,RXU,SAX4,SHQ4,SHQ5,SMC4,SME1,SME6 SMX2,SWA4,SWC4,SWS4,SXB7,SXB9,SXE4,SXQ4,SXU,VA2,VDE2,VKB2,VKQ4 VN17,VNT2,VSD7,VWT4,VX2,VXB7,VXE6,VXE7,VXE9,VXQ4,VXU1,VZX7,WKT WMT8
5	17235-Z5K-000	NOSE, SILENCER .....	-	1	-	1	-----	HA2,HEA2,HKS8,HX26,HX8,HXQ4,LXQ4,LXU,PA2,PAE2,PX26,PXE8,PXED PXU,PZX8,QA2,QA26,QA4,QAE2,QAG2,QAQ4,QAR2,QAW,QE,QH26,QHB4 QH4,QME2,QSE8,QXB6,QXB7,QXB9,QXE4,QXE8,QXEM,QXQ4,QXU,QXUZ QZA2,QZAV,QZM2,QZMH,QZX4,QZXR,RA2,RDG4,RH26,RHE4,RHE5,RHG4 RHQ4,RHQ5,RXQ4,RXU,SAX4,SHQ4,SHQ5,SMC4,SME1,SME6,SMX2,SWA4 SWC4,SWS4,SXB7,SXB9,SXE4,SXQ4,SXU,VA2,VKQ4,VSD7,VX2,VXB7,VXE6 VXE7,VXE9,VXQ4,VXU1,VZX7,WKT,WMT8
	17235-Z5K-800	.....	-	-	-	1	-----	RSC2,VDE2,VKB2,VN17,VNT2,VWT4
6	17238-ZE2-310	COLLAR, AIR CLEANER .....	-	2	-	2	-----	HA2,HEA2,HKS8,HX26,HX8,HXQ4,LXQ4,LXU,PA2,PAE2,PX26,PXE8,PXED PXU,PZX8,QA2,QA26,QA4,QAE2,QAG2,QAQ4,QAR2,QAW,QE,QH26,QHB4 QH4,QME2,QSE8,QXB6,QXB7,QXB9,QXE4,QXE8,QXEM,QXQ4,QXU,QXUZ QZA2,QZAV,QZK4,QZM2,QZMH,QZX4,QZXR,RA2,RDG4,RH26,RHE4,RHE5 RHG4,RHQ4,RHQ5,RSC2,RXQ4,RXU,SAX4,SHQ4,SHQ5,SMC4,SME1,SME6 SMX2,SWA4,SWC4,SWS4,SXB7,SXB9,SXE4,SXQ4,SXU,VA2,VDE2,VKB2,VKQ4 VN17,VNT2,VSD7,VWT4,VX2,VXB7,VXE6,VXE7,VXE9,VXQ4,VXU1,VZX7,WKT WMT8





Ref. No.	L.O.N.	(Relative ref. Number) Description	F.R.T.
----------	--------	------------------------------------	--------

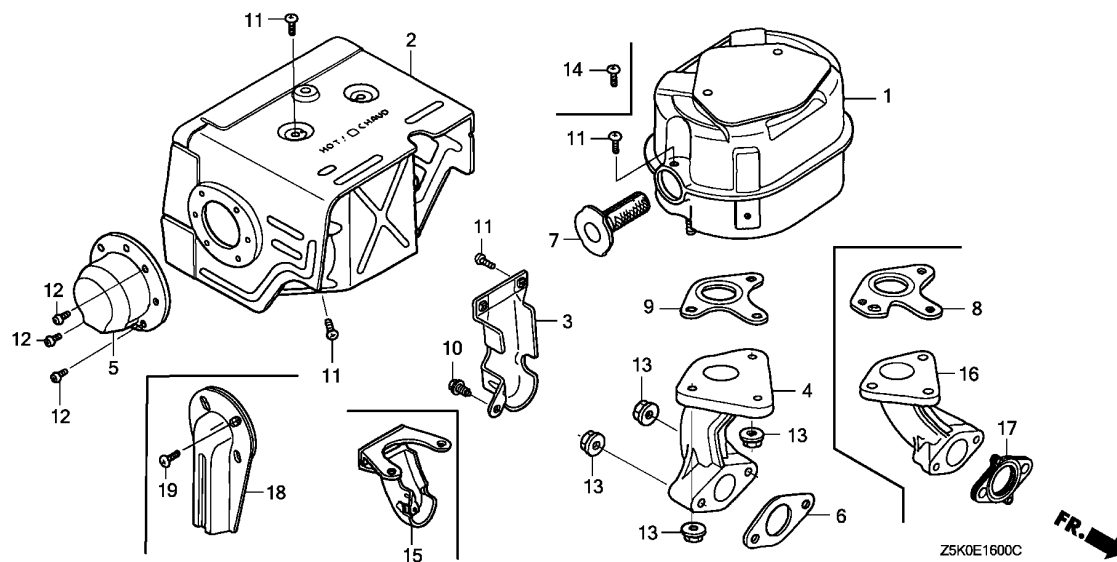
Ref. No.	Part No.	Description	Reqd. QTY				Serial No.	Parts catalogue code
			GX 270 UT	GX 270 UT2	GX 270 RT	GX 270 RT2		
1	15721-Z23-H60	TUBE, BREATHER .....	-	-	-	1	-----	VKE4,VKX4,VMT2,VPE4,VPE5,VPX4,VPX5,VS37
2	17211-899-000	ELEMENT, AIR CLEANER .....	-	-	-	1	-----	VKE4,VKX4,VMT2,VPE4,VPE5,VPX4,VPX5,VS37
3	17220-Z23-S30	CASE COMP., AIR CLEANER .....	-	-	-	1	-----	VKE4,VKX4,VMT2,VPE4,VPE5,VPX4,VPX5,VS37
4	17222-Z21-F60	STAY, AIR CLEANER .....	-	-	-	1	-----	VKE4,VKX4,VMT2,VPE4,VPE5,VPX4,VPX5,VS37
5	17223-Z23-000	SPRING, AIR CLEANER CASE LID .....	-	-	-	2	-----	VKE4,VKX4,VMT2,VPE4,VPE5,VPX4,VPX5,VS37
6	17223-Z23-S30	BASE COMP., AIR CLEANER .....	-	-	-	1	-----	VKE4,VKX4,VMT2,VPE4,VPE5,VPX4,VPX5,VS37
7	17229-Z23-H60	SEAL, AIR CLEANER CASE .....	-	-	-	1	-----	VKE4,VKX4,VMT2,VPE4,VPE5,VPX4,VPX5,VS37
8	17231-Z23-H60	COVER, AIR CLEANER .....	-	-	-	1	-----	VKE4,VKX4,VMT2,VPE4,VPE5,VPX4,VPX5,VS37
9	17233-Z23-H60	SEAL, AIR CLEANER COVER .....	-	-	-	1	-----	VKE4,VKX4,VMT2,VPE4,VPE5,VPX4,VPX5,VS37
10	17238-ZE7-710	COLLAR, AIR CLEANER .....	-	-	-	1	-----	VKE4,VKX4,VMT2,VPE4,VPE5,VPX4,VPX5,VS37
11	90005-ZM3-000	BOLT, FLANGE, 5X18 .....	-	-	-	4	-----	VKE4,VKX4,VMT2,VPE4,VPE5,VPX4,VPX5,VS37
12	90802-Z6L-000	CAP, SEALING .....	-	-	-	1	-----	VKE4,VKX4,VMT2,VPE4,VPE5,VPX4,VPX5,VS37
13	94050-06000	NUT, FLANGE, 6MM .....	-	-	-	2	-----	VKE4,VKX4,VMT2,VPE4,VPE5,VPX4,VPX5,VS37
14	95701-06032-08	BOLT, FLANGE, 6X32 .....	-	-	-	1	-----	VKE4,VKX4,VMT2,VPE4,VPE5,VPX4,VPX5,VS37
15	17238-ZG9-M00	COLLAR, AIR CLEANER .....	-	-	-	2	-----	VKE4,VKX4,VMT2,VPE4,VPE5,VPX4,VPX5,VS37



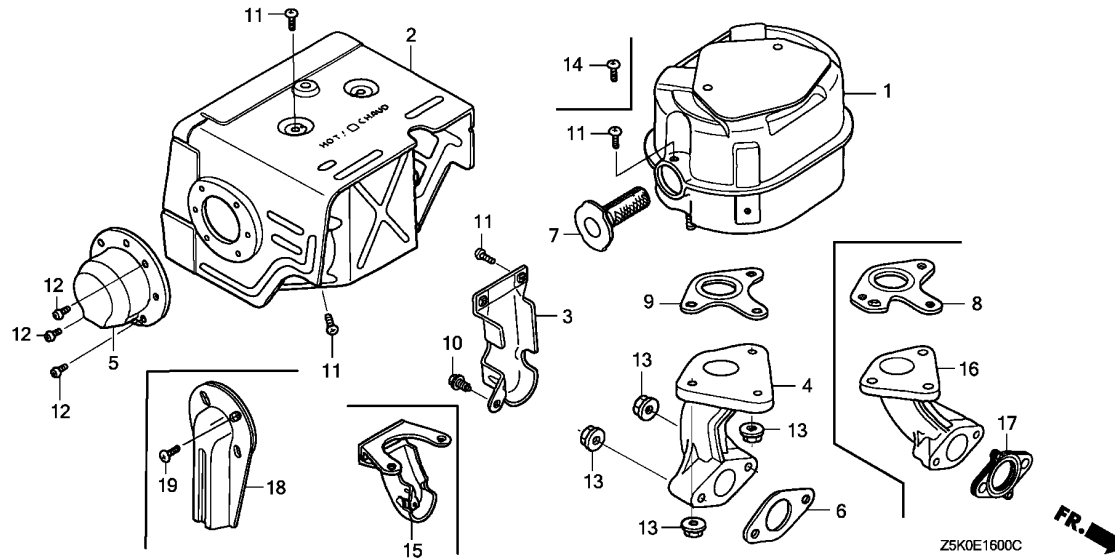
Ref. No.	L.O.N.	(Relative ref. Number) Description	F.R.T.
----------	--------	------------------------------------	--------

Ref. No.	Part No.	Description	Reqd. QTY				Serial No.	Parts catalogue code
			GX 270 UT	GX 270 UT2	GX 270 RT	GX 270 RT2		
1	18310-ZE2-W00	MUFFLER COMP. ....	1	-	1	-	HA2,HEA2,HEA8,PA2,PAE2,QA2,QA26,QA4,QAE2,QAE6,QAG2,QAQ4,QAR2,QH26,QHB4,QHQ4,RA2,RH26,RHE2,RHE4,RHQ4,SHQ4,SWC4,SWS4,VA2,VAG2,VDE2,VKQ4,VMA4,VME4,VW12,VWA2,VWN2	
2	18320-ZE2-W01	PROTECTOR COMP., MUFFLER(STD.)	1	-	1	-	HA2,HEA2,HEA8,PA2,PAE2,QA2,QA26,QAE2,QAE6,QAG2,QAQ4,QAR2,QH26,QHB4,QHQ4,RA2,RH26,RHE4,RHQ4,SHQ4,SWC4,SWS4,VA2,VAG2,VDE2,VKQ4,VMA4,VME4,VW12,VWA2,VWN2	
	18320-ZE2-W02	.....	1	-	-	-	QA4,RHE2	
3	18323-ZE2-W00	PROTECTOR, EX. PIPE .....	1	-	1	-	HA2,HEA2,HEA8,PA2,PAE2,QA2,QA26,QA4,QAE2,QAE6,QAG2,QAQ4,QAR2,RA2,SWS4,VA2,VAG2,VDE2,VMA4,VME4,VW12,VWA2,VWN2	
4	18330-ZE2-W00	PIPE, EX. ....	1	-	1	-	HA2,HEA2,HEA8,PA2,PAE2,QA2,QA26,QA4,QAE2,QAE6,QAG2,QAQ4,QAR2,QH26,QHB4,QHQ4,RA2,RH26,RHE2,RHE4,RHQ4,SHQ4,SWC4,VA2,VAG2,VDE2,VKQ4,VMA4,VME4,VW12,VWA2,VWN2	
5	18331-ZE2-810	CAP, MUFFLER .....	1	-	1	-	HA2,HEA2,HEA8,PA2,PAE2,QA2,QA26,QA4,QAE2,QAE6,QAQ4,QAR2,RA2,SWS4,VA2,VAG2,VDE2,VKQ4,VMA4,VME4,VWA2,VWN2	
6	18333-Z1C-801	GASKET, EX. PIPE .....	1	-	1	-	HA2,HEA2,HEA8,PA2,PAE2,QA4,QAE2,QAE6,QAQ4,QAR2,QHB4,RA2,RH26,RHE2,RHE4,RHG4,RHQ4,VA2,VDE2,VKQ4,VMA4,VME4,VPE5,VW12,VWN2	
	18333-ZE3-800	.....	1	-	1	-	VWT4	
	18333-Z1C-801	.....	1	-	-	1027579	VWA2	
	18333-Z1C-801	.....	1	-	-	1027580	QA2,QA26,QAG2,QH26,QHQ4,SHQ4	
7	18355-ZE2-W00	ARRESTER, SPARK .....	(1)	-	(1)	-	QA2,QA26,QAG2,QH26,QHQ4,SHQ4	
	18355-ZE2-010	.....	(1)	-	(1)	-	HA2,HEA2,HEA8,PA2,PAE2,QA4,QAE2,QAE6,QAQ4,QAR2,RA2,RH26,RHE2,RHE4,RHG4,RHQ4,SWC4,SWS4,VA2,VAG2,VDE2,VKQ4,VW12,VWN2,VWT4	
	18355-ZE2-W00	.....	-	-	1	-	HA2,HEA2,HEA8,PA2,PAE2,QH26,QHB4,QHQ4,RA2,RH26,RHE2,RHE4,RHG4,RHQ4,SHQ4,VPE5,VWT4	
	18355-ZE2-010	.....	-	-	-	(1)	QA2,QA26,QA4,QAE2,QAE6,QAQ4,QAR2,SWC4,SWS4,VA2,VAG2,VDE2,VKQ4,VMA4,VME4,VW12,VWA2,VWN2	
	18355-ZE2-010	.....	-	-	-	(1)	VPE5	
	18355-ZE2-010	.....	-	-	-	(1)	RDG4,RHG4,VKE4,VKX4,VMT2,VPE4,VPX4,VS37,VWT4	





Ref. No.	Part No.	Description	Reqd. QTY				Serial No.	Parts catalogue code
			GX 270 UT	GX 270 UT2	GX 270 RT	GX 270 RT2		
(7)	18355-ZE2-W00	ARRESTER, SPARK .....	-	-	-	(1)	RDG4, RHG4, VMT2, VPX4, VS37	
	18355-ZB4-630	.....	-	-	-	(1)	VKE4, VKX4, VPE4, VPX4, VS37	
8	18381-ZE2-W10	GASKET, MUFFLER (ARRESTER) (NIPPON LEAKLESS)	(1)	-	(1)	-	HA2, HEA2, HEA8, PA2, PAE2, QA4, QAE2, QAE6, QAQ4, QAR2, QH26, QHB4, QHQ4, RA2, RH26, RHE2, RHE4, RHG4, RHQ4, SHQ4, SWC4, SWS4, VA2, VAG2, VDE2, VKE4, VKQ4, VMA4, VME4, VPE4, VPE5, VW12, VWN2, VWT4	
	18381-Z8S-801	GASKET, MUFFLER (ARRESTER) (THAI LEAKLESS)	1	-	1	-	QA2, QA26, QA4, QAE2, QAE6, QAQ4, QAR2, SWS4, VA2, VAG2, VDE2, VKQ4, VMA4, VME4, VW12, VWA2, VWN2	
	18381-ZE2-W10	GASKET, MUFFLER (ARRESTER) (NIPPON LEAKLESS)	1	-	1	-	QA2, QA26, VWA2	
9	18381-Z1C-801	GASKET, MUFFLER (THAI LEAKLESS)	1	-	-	(1)	RDG4, RHG4, VKE4, VKX4, VMT2, VPE4, VPE5, VPX4, VPX5, VS37	
	18381-ZE2-800	GASKET, MUFFLER (NIPPON LEAKLESS)	1	-	-	-	HA2, HEA2, HEA8, PA2, PAE2, QHB4, RA2, RH26, RHE2, RHE4, RHQ4	
	18381-Z1C-801	GASKET, MUFFLER (THAI LEAKLESS)	1	-	-	1027580	QHB4 QAG2, QH26, QHQ4, SHQ4	
10	90013-883-000	BOLT, FLANGE, 6X12(CT200) ...	1	-	1	-	QAG2, QH26, QHQ4, SHQ4 HA2, HEA2, HEA8, PA2, PAE2, QA2, QA26, QA4, QAE2, QAE6, QAG2, QAQ4, QAR2, RA2, SWC4, SWS4, VA2, VAG2, VDE2, VMA4, VME4, VW12, VWA2, VWN2	
11	90050-ZE1-000	SCREW, TAPPING, 5X8 .....	6	-	-	-	HA2, HEA2, HEA8, PA2, PAE2, QAG2, RA2	
			7	-	-	-	QA2, QA26, QA4, QAE2, QAE6, QAQ4, QAR2, SWS4, VA2, VMA4, VME4, VWA2	
			4	-	-	-	QH26, QHB4, QHQ4, RH26, RHE2, RHE4, RHQ4, SHQ4	
			5	-	-	-	SWC4, VKQ4	
			-	-	7	-	VAG2, VDE2, VW12, VWA2, VWN2	
12	90055-ZE1-000	SCREW, TAPPING, 4X6 .....	3	-	3	-	HA2, HEA2, HEA8, PA2, PAE2, QA2, QA26, QA4, QAE2, QAE6, QAQ4, QAR2, RA2, SWS4, VA2, VAG2, VDE2, VKQ4, VMA4, VME4, VWA2, VWN2	



Ref. No.	Part No.	Description	Reqd. QTY				Serial No.	Parts catalogue code
			GX 270 UT	GX 270 UT2	GX 270 RT	GX 270 RT2		
13	94050-08000	NUT, FLANGE, 8MM .....	5	-	5	-	HA2,HEA2,HEA8,PA2,PAE2,QA2,QA26,QA4,QAE2,QAE6,QAG2,QAQ4,QAR2,QH26,QHB4,QHQ4,RA2,RH26,RHE2,RHE4,RHQ4,SHQ4,SWC4,SWS4,VA2,VAG2,VDE2,VKQ4,VMA4,VME4,VW12,VWA2,VWN2	
14	90055-ZE1-000	SCREW, TAPPING, 4X6 .....	(1)	-	-	-	HA2,HEA2,HEA8,PA2,PAE2,QA2,QA4,QAE2,QAE6,QAQ4,QAR2,QH26,QHB4,QHQ4,RA2,RH26,RHE2,RHE4,RHG4,RHQ4,SHQ4,SWC4,SWS4,VA2,VKQ4,VMA4,VME4	
15	18323-ZE2-W60	PROTECTOR, EX. PIPE(100DB) ..	-	-	(1)	-	VAG2,VDE2,VPE5,VW12,VWA2,VWN2,VWT4	
16	18330-ZH9-N00	PIPE, EX. ....	1	-	-	-	RDG4,RHG4,VKE4,VKX4,VMT2,VPE4,VPX4,VS37	
17	18333-ZF6-W01	GASKET, EX. PIPE .....	1	-	1	-	SWC4	
18	18430-ZK9-W50	DEFLECTOR COMP., MUFFLER ....	(1)	-	-	-	SWC4,SWS4,VAG2	
19	90055-ZE1-000	SCREW, TAPPING, 4X6 .....	(2)	-	-	-	QAQ4	

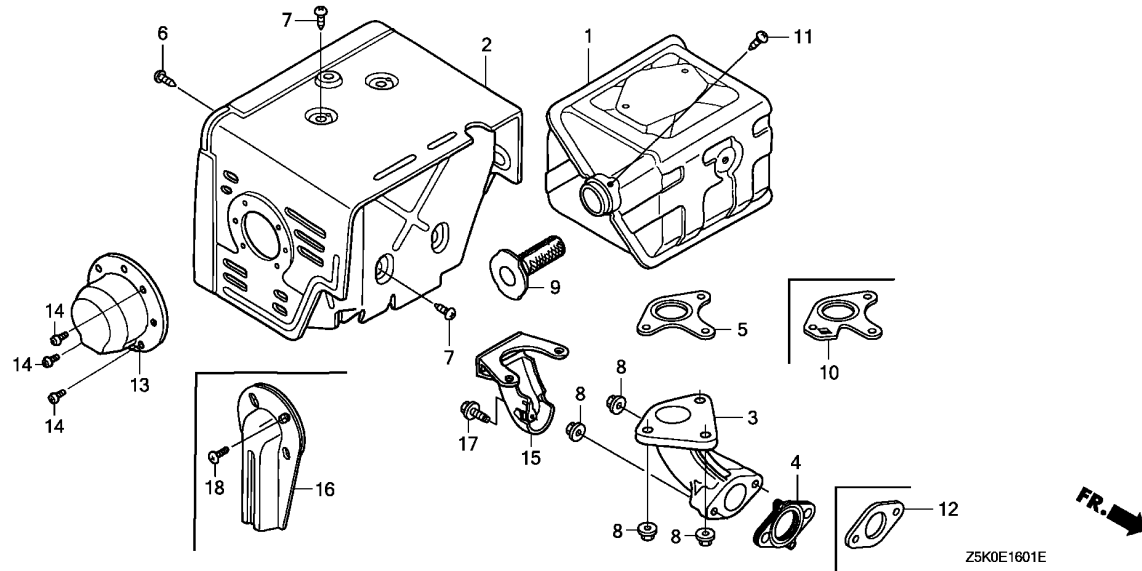




E-16-1

MUFFLER(2)

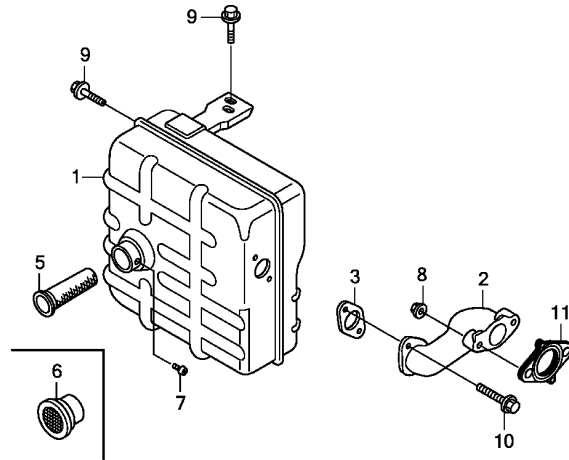
14



Ref. No.	L.O.N.	(Relative ref. Number) Description	F.R.T.
----------	--------	------------------------------------	--------

Ref. No.	Part No.	Description	Reqd. QTY				Serial No.	Parts catalogue code
			GX 270 UT	GX 270 UT2	GX 270 RT	GX 270 RT2		
1	18310-ZE2-W61	MUFFLER COMP.(100DB)	1	-	1	-	HKS8, HX26, HX8, HXQ4, LXE8, LXQ4, LXU, PX26, PXE8, PXED, PXU, QE, QKE4, QME2, QSC9, QSE8, QWA4, QWH2, QXB2, QXB6, QXB7, QXC2, QXC4, QXC6, QXC9, QXCU, QXE4, QXE8, QXQ4, QXU, QXUZ, RSC2, RXQ4, RXU, SMC2, SMC4, SME1, SME6, SWA2, SWA4, SXB7, SXE4, SXE8, SXQ4, SXU, VKB2, VN17, VNT2, VSD7, VSH7, VX2, VXB7, VXE6, VXE7, VXQ4, VXU1	
	18310-ZK6-880	MUFFLER COMP.	1	-	-	-	QXB9, SXB9, VSD9, VXB9, VXE9	
2	18320-ZF6-W01	PROTECTOR COMP., MUFFLER	1	-	-	-	QXB7, QXB9, SXB7, SXB9, VN17, VSD7, VSD9, VSH7, VXB7, VXB9, VXE7, VXE9	
	18320-ZE2-W61	PROTECTOR COMP., MUFFLER (100DB)	1	-	1	-	1273731 HKS8, HX26, HX8, HXQ4, LXE8, LXQ4, LXU, PX26, PXE8, PXED, PXU, QE, QME2, QSC9, QSE8, QWA4, QWH2, QXB6, QXC4, QXC6, QXC9, QXE4, QXE8, QXQ4, QXU, QXUZ, RSC2, RXQ4, RXU, SMC4, SME1, SME6, SWA4, SXE4, SXE8, SXQ4, SXU, VKB2, VNT2, VX2, VXE6, VXQ4, VXU1	
	18320-ZE2-W62		1	-	1	-	1273732 HKS8, HX26, HX8, HXQ4, LXE8, LXQ4, LXU, PX26, PXE8, PXED, PXU, QE, QME2, QSC9, QSE8, QWA4, QWH2, QXB6, QXC4, QXC6, QXC9, QXE4, QXE8, QXQ4, QXU, QXUZ, RSC2, RXQ4, RXU, SMC4, SME1, SME6, SWA4, SXE4, SXE8, SXQ4, SXU, VKB2, VNT2, VX2, VXE6, VXQ4, VXU1	
	18320-ZF6-W02	PROTECTOR COMP., MUFFLER	1	-	-	-	QXB2	
	18320-ZE2-W62	PROTECTOR COMP., MUFFLER (100DB)	1	-	-	-	QXC2, QXCU, SMC2, SWA2	
3	18330-ZH9-N00	PIPE, EX.	1	-	1	-	HKS8, HX26, HX8, HXQ4, LXE8, LXQ4, LXU, PX26, PXE8, PXED, PXU, QE, QME2, QSC9, QSE8, QWA4, QWH2, QXB2, QXB6, QXB7, QXB9, QXC2, QXC4, QXC6, QXC9, QXCU, QXE4, QXE8, QXQ4, QXU, QXUZ, RSC2, RXQ4, RXU, SMC2, SMC4, SME1, SME6, SWA2, SWA4, SXB7, SXB9, SXE4, SXE8, SXQ4, SXU, VKB2, VN17, VNT2, VSD7, VSD9, VSH7, VX2, VXB7, VXB9, VXE6, VXE7, VXE9, VXQ4, VXU1	
4	18333-ZF6-W01	GASKET, EX. PIPE	1	-	1	-	HKS8, HX26, HX8, HXQ4, LXE8, LXQ4, LXU, PX26, PXE8, PXED, PXU, QE, QME2, QSC9, QSE8, QWA4, QWH2, QXB2, QXB6, QXB7, QXB9, QXC2, QXC4, QXC6, QXC9, QXCU, QXE4, QXE8, QXQ4, QXU, QXUZ, RSC2, RXQ4, RXU, SMC2, SMC4, SME1, SME6, SWA2, SWA4, SXB7, SXB9, SXE4, SXE8, SXQ4, SXU, VKB2, VN17, VNT2, VSD7, VSD9, VSH7, VX2, VXB7, VXB9, VXE6, VXE7, VXE9, VXQ4, VXU1	

Ref. No.	Part No.	Description	Reqd. QTY				Serial No.	Parts catalogue code
			GX 270 UT	GX 270 UT2	GX 270 RT	GX 270 RT2		
5	18381-Z1C-801	GASKET, MUFFLER (THAI LEAKLESS)	1	-	-	-	HX26, HX8, HXQ4, LXQ4, PX26, QME2, QSC9, QWA4, QWH2, QXB6, QXC2, QXC4, QXC6, QXCU, QXE4, QXUZ, RXQ4, RXU, SME1, SME6, SXE4, VX2, VXE6, VXQ4	
	18381-ZE2-800	GASKET, MUFFLER (NIPPON LEAKLESS)	1	-	-	-	QKE4, QXUZ	
	18381-Z1C-801	GASKET, MUFFLER (THAI LEAKLESS)	1	-	-	1027579	LXE8, LXU, PXE8, PXU, QSE8, QXC9, QXE8, QXQ4, QXU, SXE8, SXQ4, SXU, VXU1	
	18381-Z1C-801	GASKET, MUFFLER (THAI LEAKLESS)	1	-	-	1027580	LXE8, LXU, PXE8, PXU, QSE8, QXC9, QXE8, QXQ4, QXU, SXE8, SXQ4, SXU, VXU1	
6	90006-ZE2-000	SCREW, TAPPING, 6X10	1	-	1	-	HKS8, HX26, HX8, HXQ4, LXE8, LXQ4, LXU, PX26, PXE8, PXED, PXU, QE, QME2, QSC9, QSE8, QWA4, QWH2, QXB2, QXB6, QXB7, QXB9, QXC2, QXC4, QXC6, QXC9, QXCU, QXE4, QXE8, QXQ4, QXU, QXUZ, RSC2, RXQ4, RXU, SMC2, SMC4, SME1, SME6, SWA2, SWA4, SXB7, SXB9, SXE4, SXE8, SXQ4, SXU, VKB2, VN17, VNT2, VSD7, VSD9, VSH7, VX2, VXB7, VXB9, VXE6, VXE7, VXE9, VXQ4, VXU1	
7	90050-ZE1-000	SCREW, TAPPING, 5X8	4	-	4	-	HKS8, HX26, HX8, HXQ4, LXE8, LXQ4, LXU, PX26, PXE8, PXED, PXU, QE, QME2, QSC9, QSE8, QWA4, QWH2, QXB2, QXB6, QXB7, QXB9, QXC2, QXC4, QXC6, QXC9, QXCU, QXE4, QXE8, QXQ4, QXU, QXUZ, RSC2, RXQ4, RXU, SMC2, SMC4, SME1, SME6, SWA2, SWA4, SXB7, SXB9, SXE4, SXE8, SXQ4, SXU, VKB2, VN17, VNT2, VSD7, VSD9, VSH7, VX2, VXB7, VXB9, VXE6, VXE7, VXE9, VXQ4, VXU1	
8	94050-08000	NUT, FLANGE, 8MM	5	-	-	-	HKS8, HX26, HX8, HXQ4, LXE8, LXQ4, LXU, PX26, PXE8, PXED, PXU, QE, QME2, QSC9, QSE8, QWA4, QWH2, QXB2, QXB6, QXB7, QXB9, QXC2, QXC4, QXC6, QXC9, QXCU, QXE4, QXE8, QXQ4, QXU, QXUZ, RXQ4, RXU, SMC2, SMC4, SME1, SME6, SWA2, SWA4, SXB7, SXB9, SXE4, SXE8, SXQ4, SXU, VN17, VSD7, VSD9, VSH7, VX2, VXB7, VXB9, VXE6, VXE7, VXE9, VXQ4, VXU1	
			2	-	-	-	QKE4, RHG4	
			-	-	5	-	RSC2, VKB2, VN17, VNT2, VSH7	
			-	-	2	-	VPE5, VPX5, VPX9	
9	18355-ZE2-010	ARRESTER, SPARK	(1)	-	(1)	-	HKS8, HX26, HX8, HXQ4, LXQ4, PX26, QE, QKE4, QME2, QSC9, QWA4, QWH2, QXB2, QXB6, QXC2, QXC4, QXC6, QXCU, QXE4, RSC2, RXQ4, RXU, SMC2, SMC4, SME1, SME6, SWA2, SWA4, SXB7, SXE4, VKB2, VNT2, VXE6, VXE7	
	18355-ZE2-W00		1	-	1	-	HKS8, PXED, QE, QXB2, QXB7, QXB9, SMC2, SMC4, SXB7, SXB9, VKB2, VN17, VNT2, VPX5, VPX9, VSD7, VSD9, VSH7, VXB7, VXB9, VXE7, VXE9	
			(1)	-	(1)	-	HX26, HX8, HXQ4, LXQ4, PX26, QKE4, QME2, QSC9, QWA4, QWH2, QXB6, QXC2, QXC4, QXC6, QXC9, QXCU, QXE4, RSC2, RXQ4, RXU, SME1, SME6, SWA2, SWA4, SXE4, VXE6	
10	18381-ZE2-W10	GASKET, MUFFLER (ARRESTER) (NIPPON LEAKLESS)	(1)	-	(1)	-	HKS8, HX26, HX8, HXQ4, LXQ4, PX26, QE, QKE4, QME2, QSC9, QWA4, QWH2, QXB6, QXC2, QXC4, QXC6, QXC9, QXCU, QXE4, RHG4, RSC2, RXQ4, RXU, SMC2, SMC4, SME1, SME6, SWA2, SWA4, SXE4, VPE5, VWT4, VXE6	
	18381-Z8S-801	GASKET, MUFFLER (ARRESTER) (THAI LEAKLESS)	1	-	1	-	HKS8, PXED, QE, QXB7, RSC2, SMC2, SMC4, SWA2, SWA4, VN17, VSD7, VSH7, VXB7	
	18381-ZE2-W10	GASKET, MUFFLER (ARRESTER) (NIPPON LEAKLESS)	1	-	1	-	PXED, QXB2, QXB7, QXB9, SXB7, SXB9, VKB2, VN17, VNT2, VSD7, VSD9, VSH7, VXB7, VXB9, VXE7, VXE9	
11	90055-ZE1-000	SCREW, TAPPING, 4X6	(1)	-	(1)	-	HKS8, HX26, HX8, HXQ4, LXQ4, PX26, QE, QKE4, QME2, QSC9, QWA4, QWH2, QXB2, QXB6, QXB7, QXC2, QXC4, QXC6, QXC9, QXCU, QXE4, RSC2, RXQ4, RXU, SMC2, SMC4, SME1, SME6, SWA2, SWA4, SXB7, SXE4, VKB2, VNT2, VXE6, VXE7	
	90050-ZE1-000	SCREW, TAPPING, 5X8	1	-	1	-	HKS8, PXED, QE, QXB2, QXB7, QXB9, SMC2, SMC4, SXB7, SXB9, VKB2, VN17, VNT2, VSD7, VSD9, VSH7, VXB7, VXB9, VXE7, VXE9	
12	18333-ZE3-800	GASKET, EX. PIPE	1	-	1	-	VPX5, VPX9	
	18333-ZK6-Y00		1	-	-	-	QKE4	
			-	-	(1)	-	VNT2	
13	18331-ZE2-810	CAP, MUFFLER	1	-	1	-	HKS8, PXED, QE, QWA4, QWH2, QXUZ, VKB2, VNT2	
14	90055-ZE1-000	SCREW, TAPPING, 4X6	3	-	3	-	HKS8, PXED, QE, QWA4, QWH2, QXUZ, VKB2, VNT2	
15	18323-ZE2-W60	PROTECTOR, EX. PIPE (100DB)	1	-	1	-	RSC2, SWA2, SWA4, VKB2, VNT2	
16	18430-ZF6-W50	DEFLECTOR COMP., MUFFLER	(1)	-	-	-	QE	
17	90013-883-000	BOLT, FLANGE, 6X12 (CT200)	1	-	1	-	RSC2, SWA2, SWA4, VKB2, VNT2	
18	90055-ZE1-000	SCREW, TAPPING, 4X6	(2)	-	-	-	QE	

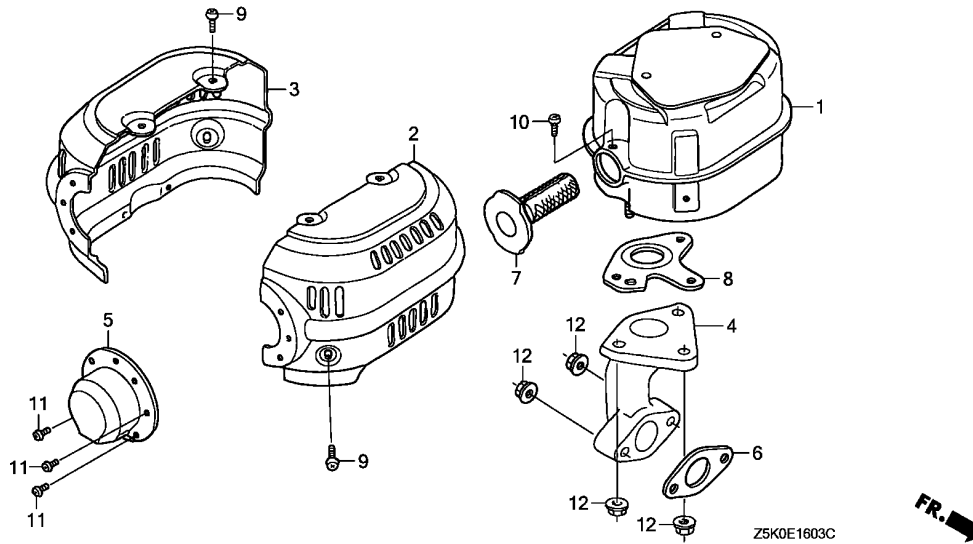


Z5K0E1602C



Ref. L.O.N. (Relative ref. Number) F.R.T.  
No. Description

Ref. No.	Part No.	Description	Reqd. QTY				Serial No.	Parts catalogue code
			GX 270 UT	GX 270 UT2	GX 270 RT	GX 270 RT2		
1	18310-ZH9-V01	MUFFLER COMP.(SDMO) .....	1	-	1	-	VPX4,VS37,VS39	
2	18330-ZE2-700	PIPE, EX. ....	1	-	1	-	VPX4,VS37,VS39	
3	18333-ZB4-800	GASKET, EX. PIPE .....	1	-	1	-	VPX4,VS37,VS39	
5	18355-ZB4-630	ARRESTER, SPARK .....	(1)	-	(1)	-	VPX4,VS37,VS39	
6	18361-ZL0-000	NETTING, WIRE FLANGE .....	1	-	1	-	VS39	
7	90002-ZE2-U91	SCREW, TAPPING, 4X8 .....	(1)	-	(1)	-	VPX4,VS37,VS39	
	90056-ZL0-000	SCREW, TAPPING, 4X6 .....	1	-	1	-	VS39	
8	94050-08000	NUT, FLANGE, 8MM .....	2	-	2	-	VPX4,VS37,VS39	
9	95701-08016-08	BOLT, FLANGE, 8X16 .....	2	-	2	-	VPX4,VS37,VS39	
10	95701-08020-08	BOLT, FLANGE, 8X20 .....	2	-	2	-	VPX4	
	95701-08020-00	.....	2	-	2	-	VS37,VS39	
11	18333-ZF6-W01	GASKET, EX. PIPE .....	1	-	1	-	VPX4,VS37,VS39	



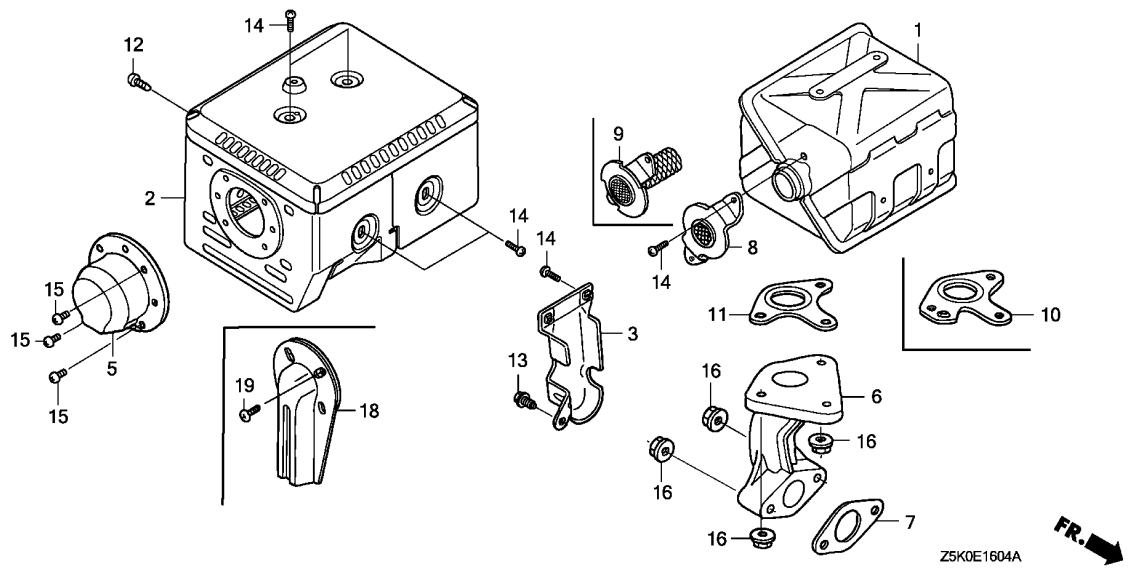
Ref. L.O.N. (Relative ref. Number) F.R.T.  
No. Description

Ref. No.	Part No.	Description	Reqd. QTY				Serial No.	Parts catalogue code
			GX 270 UT	GX 270 UT2	GX 270 RT	GX 270 RT2		
1	18310-Z8S-810	MUFFLER COMP. ....	1	1	-	-	-----	QAW
2	18320-ZE2-P30	PROTECTOR, R. MUFFLER(STD.) -	1	-	-	-	-----	QAW
	18320-ZE2-P31	.....	-	1	-	-	-----	QAW
3	18325-ZE2-P30	PROTECTOR, L. MUFFLER(STD.) -	1	1	-	-	-----	QAW
4	18330-ZE2-000	PIPE, EX. ....	1	1	-	-	-----	QAW
5	18331-ZE2-810	CAP, MUFFLER ....	1	-	-	-	-----	QAW
	18331-ZE3-811	.....	-	1	-	-	-----	QAW
6	18333-Z1C-801	GASKET, EX. PIPE ....	1	1	-	-	-----	QAW
7	18355-ZE2-010	ARRESTER, SPARK ....	1	1	-	-	-----	QAW
8	18381-Z8S-801	GASKET, MUFFLER(ARRESTER)					-----	
		(THAI LEAKLESS)	1	1	-	-	-----	QAW
	18381-ZE2-W10	GASKET, MUFFLER(ARRESTER)					-----	
		(NIPPON LEAKLESS)	(1)	(1)	-	-	-----	QAW
9	90050-ZE1-000	SCREW, TAPPING, 5X8 ....	6	6	-	-	-----	QAW
10	90050-ZE1-000	SCREW, TAPPING, 5X8 ....	1	1	-	-	-----	QAW
	90055-ZE1-000	SCREW, TAPPING, 4X6 ....	(1)	(1)	-	-	-----	QAW
11	90055-ZE1-000	SCREW, TAPPING, 4X6 ....	3	3	-	-	-----	QAW
12	94050-08000	NUT, FLANGE, 8MM ....	5	5	-	-	-----	QAW



E-16-4

MUFFLER(5)



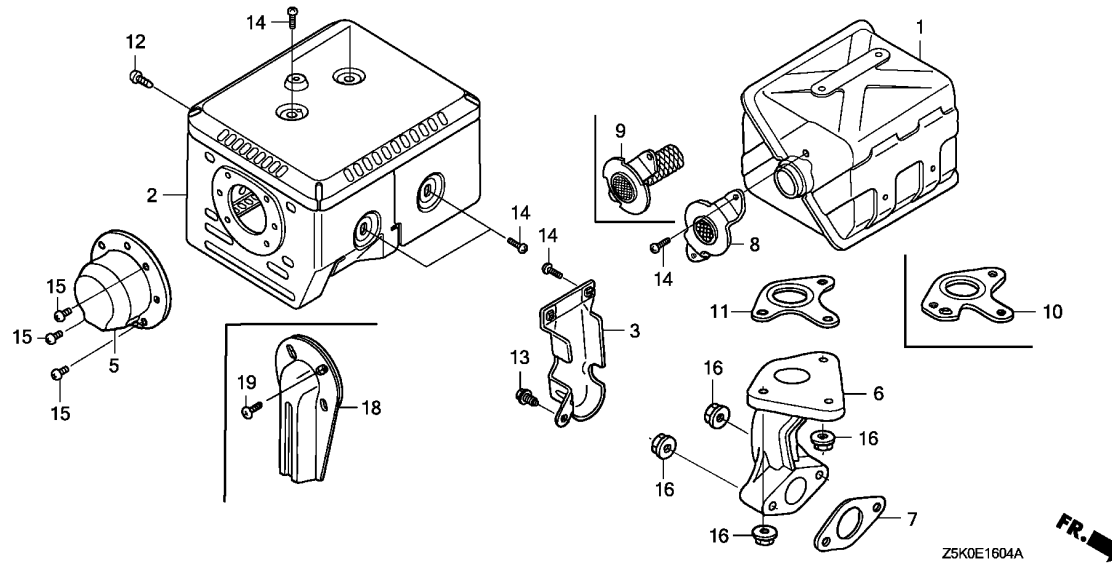
Ref. No.	L.O.N.	(Relative ref. Number) Description	F.R.T.

Ref. No.	Part No.	Description	Reqd. QTY				Serial No.	Parts catalogue code
			GX 270 UT	GX 270 UT2	GX 270 RT	GX 270 RT2		
1	18310-Z5K-000	MUFFLER COMP. ....	-	1	-	1	-----	HA2,HEA2,HKS8,HX26,HX8,HXQ4,LXQ4,LXU,PA2,PAE2,PX26,PXE8,PXED,PXU,PZX8,QA2,QA26,QA4,QAE2,QAG2,QAQ4,QAR2,QE,QH26,QHB4,QHQ4,QKE4,QME2,QSC9,QSE8,QWA4,QWH2,QXB6,QXB7,QXB9,QXC4,QXC6,QXC9,QXCU,QXE4,QXE8,QXEM,QXQ4,QXU,QXUZ,QZA2,QZAV,QZM2,QZMH,QZX4,QZXR,RA2,RH26,RHE4,RHE5,RHQ4,RHQ5,RSC2,RXQ4,RXU,SAX4,SHQ4,SHQ5,SMC4,SME1,SME6,SMX2,SWA4,SWC4,SWS4, SXB7, SXB9, SXE4, SXQ4, SXU, VA2, VDE2, VKB2, VKQ4, VMA4, VME4, VN17, VNT2, VSD7, VX2, VXB7, VXE6, VXE7, VXE9, VXQ4, VXU1, VZX7, WKT, WMT8
2	18320-Z5K-000	PROTECTOR COMP., MUFFLER ....	-	1	-	1	-----	HA2,HEA2,HKS8,HX26,HX8,HXQ4,LXQ4,LXU,PA2,PAE2,PX26,PXE8,PXED,PXU,PZX8,QA2,QA26,QA4,QAE2,QAG2,QAQ4,QAR2,QE,QH26,QHB4,QHQ4,QME2,QSC9,QSE8,QWA4,QWH2,QXB6,QXC4,QXC6,QXC9,QXE4,QXE8,QXEM,QXQ4,QXU,QXUZ,QZA2,QZAV,QZM2,QZMH,QZX4,QZXR,RA2,RH26,RHE4,RHE5,RHQ4,RHQ5,RSC2,RXQ4,RXU,SHQ4,SHQ5,SMC4,SME1,SME6,SMX2,SWA4,SWC4,SWS4, SXE4, SXQ4, SXU, VA2, VDE2, VKB2, VKQ4, VMA4, VME4, VNT2, VX2, VXE6, VXQ4, VXU1, WKT, WMT8
	18320-Z5K-800	PROTECTOR COMP., MUFFLER (100DB)	-	1	-	1	-----	QXB7,QXB9,SAX4, SXB7, SXB9, VN17, VSD7, VXB7, VXE7, VXE9, VZX7
3	18323-ZE2-W00	PROTECTOR, EX. PIPE .....	-	1	-	1	-----	HA2,HEA2,PA2,PAE2,QA2,QA26,QA4,QAE2,QAG2,QAQ4,QAR2,QXEM,QZA2,QZAV,RA2,RSC2,SMX2,SWA4,SWC4,SWS4,VA2,VDE2,VKB2,VMA4,VME4,VNT2
5	18331-ZE3-811	CAP, MUFFLER .....	-	1	-	1	-----	HA2,HEA2,HKS8,PA2,PAE2,QA2,QA26,QA4,QAE2,QAQ4,QAR2,QE,QWH2,QXUZ,QZA2,QZAV,RA2,SWS4,VA2,VDE2,VKB2,VKQ4,VNT2

Ref. No.	Part No.	Description	Reqd. QTY				Serial No.	Parts catalogue code
			GX 270 UT	GX 270 RT	GX 270 RT	GX 270 RT2		
6	18331-Z5T-000	PIPE, EX. ....	-	1	-	1	-----	HA2,HEA2,HKS8,HX26,HX8,HXQ4,LXQ4,LXU,PA2,PAE2,PX26,PXE8,PXED PXU,PZX8,QA2,QA26,QA4,QAE2,QAG2,QAQ4,QAR2,QE,QH26,QHB4,QHQ4 QME2,QSC9,QSE8,QWA4,QWH2,QXB6,QXB7,QXB9,QXC4,QXC6,QXC9,QXCU QXE4,QXE8,QXEM,QXQ4,QXU,QXUZ,QZA2,QZAV,QZM2,QZMH,QZX4,QZXR,RA2 RH26,RHE4,RHE5,RHQ4,RHQ5,RSC2,RXQ4,RXU,SAX4,SHQ4,SHQ5,SMC4 SME1,SME6,SMX2,SWA4,SWC4,SWS4,SXB7,SXB9,SXE4,SXQ4,SXU,VA2,VDE2 VKB2,VKQ4,VMA4,VME4,VN17,VNT2,VSD7,VX2,VXB7,VXE6,VXE7,VXE9 VXQ4,VXU1,VZX7,WKT,WMT8
7	18333-Z1C-801	GASKET, EX. PIPE .....	-	1	-	1	-----	HA2,HEA2,HKS8,HX26,HX8,HXQ4,LXQ4,LXU,PA2,PAE2,PX26,PXE8,PXED PXU,PZX8,QA2,QA26,QA4,QAE2,QAG2,QAQ4,QAR2,QE,QH26,QHB4,QHQ4 QME2,QSC9,QSE8,QWA4,QWH2,QXB6,QXB7,QXB9,QXC4,QXC6,QXC9,QXCU QXE4,QXE8,QXEM,QXQ4,QXU,QXUZ,QZA2,QZAV,QZX4,QZXR,RA2,RH26,RHE4 RHE5,RHQ4,RHQ5,RSC2,RXQ4,RXU,SAX4,SHQ4,SHQ5,SMC4,SME1,SME6 SMX2,SWA4,SWC4,SWS4,SXB7,SXB9,SXE4,SXQ4,SXU,VA2,VDE2,VKB2,VKQ4 VMA4,VME4,VN17,VNT2,VSD7,VWT4,VX2,VXB7,VXE6,VXE7,VXE9,VXQ4 VXU1,VZX7,WKT,WMT8
	18333-ZK6-Y00	.....	-	1	-	-	-----	QKE4
	18333-ZF6-W01	.....	-	1	-	-	-----	QZM2,QZMH
	18333-ZK6-Y00	.....	-	-	-	(1)	-----	VNT2
8	18336-ZE3-000	FLANGE COMP., BAFFLE .....	-	1	-	1	-----	HA2,HEA2,HX26,HX8,HXQ4,LXQ4,LXU,PA2,PAE2,PX26,PXE8,PXU,PZX8 QAG2,QH26,QHB4,QHQ4,QME2,QSC9,QSE8,QWA4,QWH2,QXB6,QXC4,QXC6 QXC9,QXCU,QXE4,QXE8,QXQ4,QXU,QXUZ,QZM2,QZMH,QZX4,QZXR,RA2,RH26 RHE4,RHE5,RHQ4,RHQ5,RSC2,RXQ4,RXU,SHQ4,SHQ5,SME1,SME6,SWA4 SXE4,SXQ4,SXU,VX2,VXE6,VXQ4,VXU1,WKT,WMT8
9	18350-Z5T-800	ARRESTER COMP., SPARK .....	(1)	-	(1)	-	-----	RHG4,VPE5,VPX5,VWT4
			-	1	-	1	-----	HKS8,PXED,QA2,QA26,QA4,QAE2,QAQ4,QAR2,QE,QXB7,QXB9,QXEM,QZA2 QZAV,SAX4,SMC4,SMX2,SWC4,SWS4,SXB7,SXB9,VA2,VDE2,VKB2,VKQ4 VMA4,VME4,VN17,VNT2,VSD7,VXB7,VXE7,VXE9,VZX7
			-	(1)	-	-	-----	HA2,HEA2,HX26,HX8,HXQ4,LXQ4,LXU,PA2,PAE2,PX26,PXE8,PXU,PZX8 QAG2,QH26,QHB4,QHQ4,QKE4,QME2,QSC9,QSE8,QWA4,QWH2,QXB6,QXC4 QXC6,QXC9,QXCU,QXE4,QXE8,QXQ4,QXU,QXUZ,QZK4,QZM2,QZMH,QZX4 QZXR,RA2,RH26,RHE4,RHE5,RHQ4,RHQ5,RXQ4,RXU,SHQ4,SHQ5,SME1,SME6 SWA4,SXE4,SXQ4,SXU,VX2,VXE6,VXQ4,VXU1,WKT,WMT8
10	18381-ZE2-W10	GASKET, MUFFLER (ARRESTER) (NIPPON LEAKLESS)	-	-	-	(1)	-----	RDG4,RHG4,RSC2,VMT2,VPE5,VPX5,VWT4
			-	(1)	-	(1)	-----	HA2,HEA2,HX26,HX8,HXQ4,LXQ4,LXU,PA2,PAE2,PX26,PXE8,PXU,PZX8 QAG2,QH26,QHB4,QHQ4,QKE4,QME2,QSC9,QSE8,QWA4,QWH2,QXB6,QXC4 QXC6,QXC9,QXCU,QXE4,QXE8,QXEM,QXQ4,QXU,QXUZ,QZK4,QZM2,QZMH QZX4,QZXR,RA2,RH26,RHE4,RHE5,RHQ4,RHQ5,RSC2,RXQ4,RXU,SAX4,SHQ4 SHQ5,SME1,SME6,SMX2,SWA4,SXE4,SXQ4,SXU,VMA4,VME4,VWT4,VX2,VXE6 VXQ4,VXU1,WKT,WMT8
	18381-Z8S-801	GASKET, MUFFLER (ARRESTER) (THAI LEAKLESS)	-	1	-	1	-----	HKS8,PXED,QA2,QA26,QA4,QAE2,QAQ4,QAR2,QE,QXB7,QXB9,QXEM,QZA2 QZAV,SAX4,SMC4,SMX2,SWC4,SWS4,SXB7,SXB9,VA2,VDE2,VKB2,VKQ4 VMA4,VME4,VN17,VNT2,VSD7,VXB7,VXE7,VXE9,VZX7
	18381-ZE2-W10	GASKET, MUFFLER (ARRESTER) (NIPPON LEAKLESS)	-	1	-	1	-----	HKS8,PXED,QA2,QA26,QA4,QAE2,QAQ4,QAR2,QE,QXB7,QXB9,QXEM,QZA2 QZAV,SAX4,SMC4,SMX2,SWC4,SWS4,SXB7,SXB9,VA2,VDE2,VKB2,VKQ4 VMA4,VME4,VN17,VNT2,VSD7,VXB7,VXE7,VXE9,VZX7
	18381-ZE2-801	GASKET, MUFFLER (NIPPON LEAKLESS)	-	1	-	1	-----	HX26,HX8,HXQ4,LXQ4,LXU,PX26,PXE8,PXU,PZX8,QKE4,QSC9,QSE8,QWA4 QWH2,QXB6,QXC4,QXC6,QXC9,QXCU,QXU,QXUZ,QZM2,QZMH,QZX4,QZXR RH26,RHE5,RHQ5,RSC2,RXQ4,RXU,SHQ5,SME1,SME6,SWA4,SXE4,SXU,VX2 VXE6,VXQ4,WKT,WMT8



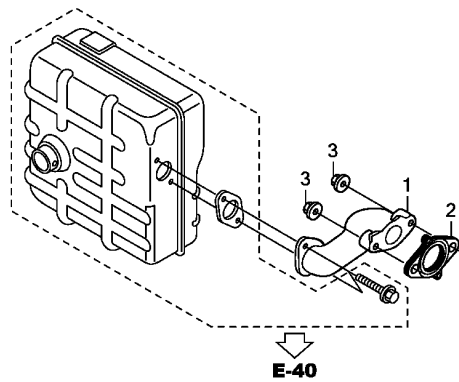




Ref. No.	Part No.	Description	Reqd. QTY				Serial No.	Parts catalogue code
			GX 270 UT	GX 270 UT2	GX 270 RT	GX 270 RT2		
15	90055-ZE1-000	SCREW, TAPPING, 4X6 .....	-	3	-	3	-----	HA2,HEA2,HKS8,PA2,PAE2,QA2,QA26,QA4,QAE2,QAQ4,QAR2,QE,QWH2,QXUZ,QZA2,QZAV,RA2,SWS4,VA2,VDE2,VKB2,VKQ4,VNT2
16	94050-08000	NUT, FLANGE, 8MM .....	-	5	-	-	-----	HA2,HEA2,HKS8,HX26,HX8,HXQ4,LXQ4,LXU,PA2,PAE2,PX26,PXE8,PXED,PXU,PZX8,QA2,QA26,QA4,QAE2,QAG2,QAQ4,QAR2,QE,QH26,QHB4,QHQ4,QME2,QSC9,QSE8,QWA4,QWH2,QXB6,QXB7,QXB9,QXC4,QXC6,QXC9,QXCU,QXE4,QXE8,QXEM,QXQ4,QXU,QXUZ,QZA2,QZAV,QZM2,QZMH,QZX4,QZXR,RA2,RH26,RHE4,RHE5,RHQ4,RHQ5,RXQ4,RXU,SAX4,SHQ4,SHQ5,SMC4,SME1,SME6,SMX2,SWA4,SWC4,SWS4,SXB7,SXB9,SXE4,SXQ4,SXU,VA2,VKQ4,VMA4,VME4,VSD7,VX2,VXB7,VXE6,VXE7,VXE9,VXQ4,VXU1,VZX7,WKT,WMT8,QKE4
18	18430-ZF6-W50	DEFLECTOR COMP., MUFFLER ....	-	-	-	5	-----	RSC2,VDE2,VKB2,VN17,VNT2
19	90055-ZE1-000	SCREW, TAPPING, 4X6 .....	-	(1)	-	-	-----	QAQ4,QE
			-	(2)	-	-	-----	QAQ4,QE



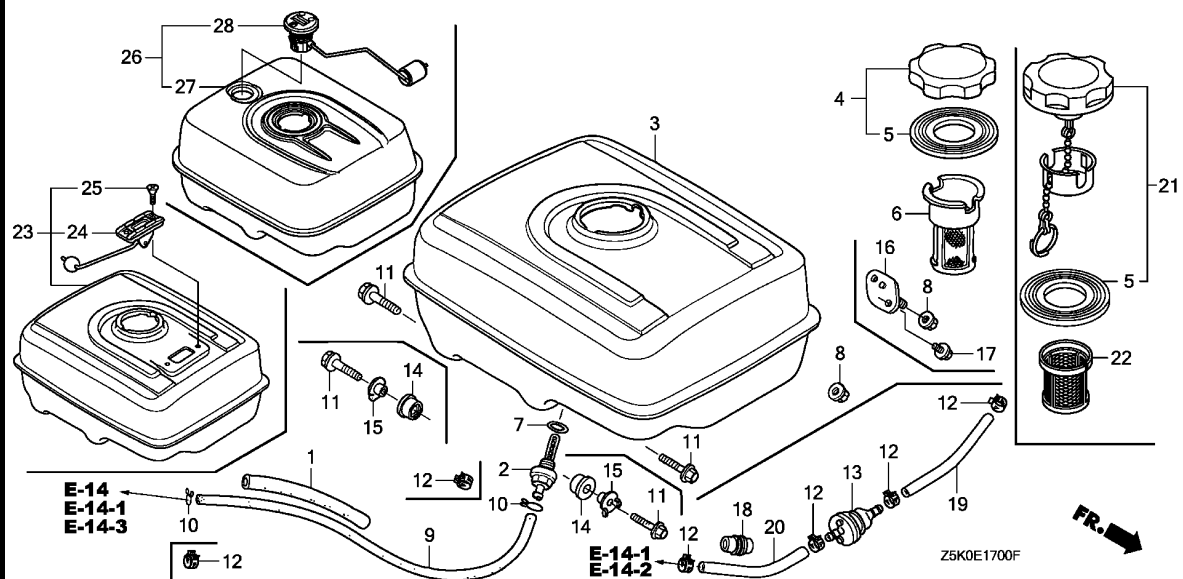




Z5K0E1610A

Ref. L.O.N. (Relative ref. Number) F.R.T.  
No. Description

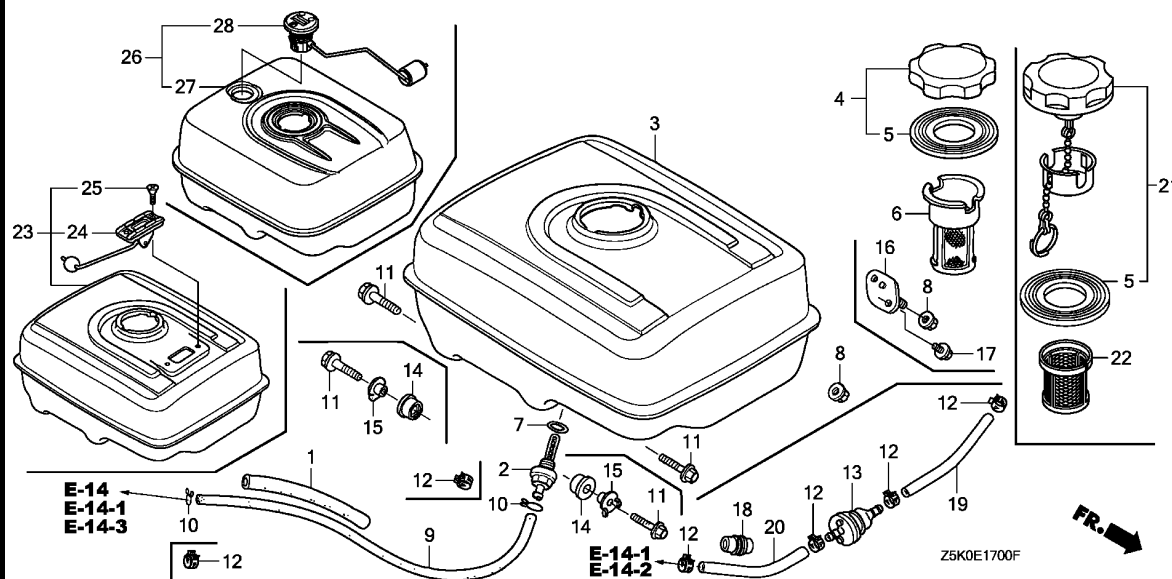
Ref. No.	Part No.	Description	Reqd. QTY				Serial No.	Parts catalogue code
			GX 270 UT	GX 270 UT2	GX 270 RT	GX 270 RT2		
1	18330-ZE2-700	PIPE, EX. ....	1	-	1	-	-----	VKE4, VKX4, VPE2, VPE4
2	18333-ZF6-W01	GASKET, EX. PIPE ....	1	-	1	-	-----	VKE4, VKX4, VMT2, VPE4, VPX4, VS37
3	94050-08000	NUT, FLANGE, 8MM ....	-	-	-	1	-----	VKE4, VKX4, VPE2, VPE4
			-	-	-	2	-----	VKE4, VKX4, VMT2, VPE4, VPX4, VS37



Ref. No.	L.O.N.	(Relative ref. Number) Description	F.R.T.
----------	--------	------------------------------------	--------

Ref. No.	Part No.	Description	Reqd. QTY				Serial No.	Parts catalogue code
			GX 270 UT	GX 270 UT2	GX 270 RT	GX 270 RT2		
1	16854-ZH8-000	RUBBER, SUPPORTER(107MM) .....	1	1	1	1	HA2,HEA2,HEA8,HKS8,HX26,HX8,HXQ4,LXE8,LXQ4,LXU,PA2,PAE2,PX26,PXE8,PXED,PXU,PZX8,QA2,QA26,QA4,QAE2,QAE6,QAG2,QAQ4,QAR2,QAW,QE,QH26,QHB4,QHQ4,QKE4,QME2,QSC9,QSE8,QWA4,QWH2,QXB2,QXB6,QXB7,QXB9,QXC2,QXC4,QXC6,QXC9,QXCU,QXE4,QXE8,QXEM,QXQ4,QXU,QXUZ,QZA2,QZAV,QZX4,RA2,RH26,RHE2,RHE4,RHE5,RHQ4,RHQ5,RXQ4,RXU,SAX4,SHQ4,SHQ5,SMC2,SMC4,SME1,SME6,SMX2,SWA2,SWA4,SWC4,SWS4,SXB7,SXB9,SXE4,SXE8,SXQ4,SXU,VA2,VAG2,VDE2,VKB2,VKQ4,VMA4,VME4,VN17,VNT2,VS37,VS39,VSD7,VSD9,VSH7,VW12,VWN2,VX2,VXB7,VXB9,VXE6,VXE7,VXE9,VXQ4,VXU1,VZX7,WKT,WMT8	
2	16854-Z5K-000	RUBBER, SUPPORTER(127MM) .....	-	1	-	-	QZK4,QZM2,QZMH,QZX4,QZXR	
2	16955-ZE1-000	JOINT, FUEL TANK .....	1	-	-	-	HA2,HEA2,HEA8,HKS8,HX26,HX8,HXQ4,LXE8,LXQ4,LXU,PA2,PAE2,PX26,PXE8,PXED,PXU,QA2,QA26,QA4,QAE2,QAE6,QAG2,QAQ4,QAR2,QAW,QE,QH26,QHB4,QHQ4,QKE4,QME2,QSC9,QSE8,QWA4,QWH2,QXB2,QXB6,QXB7,QXB9,QXC2,QXC4,QXC6,QXC9,QXCU,QXE4,QXE8,QXQ4,QXU,QXUZ,RA2,RH26,RHE2,RHE4,RHQ4,RXQ4,RXU,SHQ4,SMC2,SMC4,SME1,SME6,SWA2,SWA4,SWC4,SWS4,SXB7,SXB9,SXE4,SXE8,SXQ4,SXU,VA2,VKQ4,VMA4,VME4,VSD7,VSD9,VX2,VXB7,VXB9,VXE6,VXE7,VXE9,VXQ4,VXU1	
3	16955-ZE1-010	.....	-	1	-	-		
3	17510-ZE2-020ZA	TANK COMP., FUEL *NH31*.....MCKINLEY WHITE	1	-	-	-	HA2,HEA2,HEA8,HKS8,HX26,HX8,HXQ4,LXE8,LXQ4,LXU,PA2,PAE2,PX26,PXE8,PXED,PXU,QA26,QAE2,QAE6,QAG2,QAQ4,QAR2,QAW,QE,QH26,QHB4,QHQ4,QME2,QSE8,QWA4,QXB2,QXB6,QXB7,QXB9,QXC2,QXC4,QXC6,QXC9,QXCU,QXE4,QXE8,QXQ4,QXU,QXUZ,RA2,RH26,RHE2,RHE4,RHQ4,RXQ4,RXU,SHQ4,SMC2,SMC4,SME1,SME6,SWA2,SWA4,SWC4,SXB7,SXB9,SXE4,SXE8,SXQ4,SXU,VA2,VSD7,VX2,VXB7,VXE6,VXE7,VXQ4,VXU1	
	17510-ZE2-020ZD	*NH1*.....BLACK	1	-	-	-	HA2,PA2,QA2,QA4,QAE2,QAQ4,QAR2,QWA4,QWH2,QXC9,RA2,SWC4,SWS4,VA2,VMA4,VME4,VSD7,VX2,VXE7	
	17510-Z8S-880ZC	*NH31*.....MCKINLEY WHITE	1	-	-	-	VSD9,VXE9	
	17510-ZK2-880ZC	*NH31*.....MCKINLEY WHITE	1	-	-	-	VXB9	

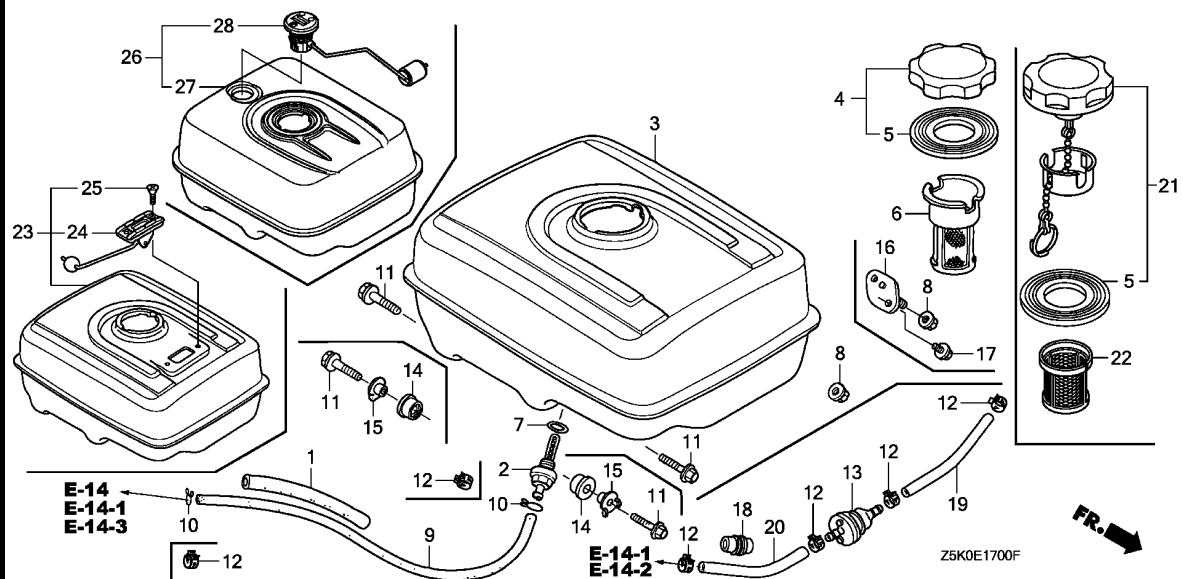




Ref. No.	Part No.	Description	Reqd. QTY				Serial No.	Parts catalogue code	
			GX 270 UT	GX 270 UT2	GX 270 RT	GX 270 RT2			
(3)	17510-Z8S-880ZA	TANK COMP., FUEL	1	-	-	-	VXE9		
	17510-ZE2-801ZC	*NH1*.....BLACK	-	1	-	-	QZXR		
4	17620-Z0T-813	CAP COMP., FUEL FILLER (CHROME PLATED) (RADICON)	1	-	-	-	1149269	LXE8, LXU, PXE8, PXU, QA2, QA26, QAG2, QH26, QHQ4, QSE8, QXB7, QXC9, QXE8, QXQ4, QXU, SHQ4, SXE8, SXQ4, SXU, VSD7, VX2, VXB7, VXB9, VXQ4, VXU1	
5	17631-Z0T-801	PACKING, FUEL FILLER CAP (39X62X3) (RADICON)	1	-	-	-		HA2, HEA2, HEA8, HKS8, HX26, HX8, HXQ4, LXQ4, PA2, PAE2, PX26, PXED, QA4, QAE2, QAE6, QAQ4, QAR2, QAW, QE, QHB4, QKE4, QME2, QSC9, QWA4, QWH2, QXB2, QXB6, QXB9, QXC2, QXC4, QXC6, QXCU, QXE4, QXUZ, RA2, RH26, RHE2, RHE4, RHQ4, RXQ4, RXU, SMC2, SMC4, SME1, SME6, SWA2, SWA4, SWC4, SWS4, SXB7, SXB9, SXE4, VA2, VKQ4, VMA4, VME4, VSD9, VXE6, VXE7, VXE9	
	17631-Z4H-800	PACKING, FUEL FILLER CAP (39X62X3)	1	-	-	-	1140618	LXE8, LXU, PXE8, PXU, QA2, QA26, QAG2, QH26, QHQ4, QSE8, QXB7, QXC9, QXE8, QXQ4, QXU, SHQ4, SXE8, SXQ4, SXU, VSD7, VX2, VXB7, VXB9, VXQ4, VXU1	
	17631-Z0T-801	PACKING, FUEL FILLER CAP (39X62X3) (RADICON)	1	-	-	-	1140619	1172734	LXE8, LXU, PXE8, PXU, QA2, QA26, QAG2, QH26, QHQ4, QSE8, QXB7, QXC9, QXE8, QXQ4, QXU, SHQ4, SXE8, SXQ4, SXU, VSD7, VX2, VXB7, VXB9, VXQ4, VXU1
	17631-Z0T-801	PACKING, FUEL FILLER CAP (39X62X3) (RADICON)	1	-	-	-	1172735		LXE8, LXU, PXE8, PXU, QA2, QA26, QAG2, QH26, QHQ4, QSE8, QXB7, QXC9, QXE8, QXQ4, QXU, SHQ4, SXE8, SXQ4, SXU, VSD7, VX2, VXB7, VXB9, VXQ4, VXU1
			-	1	-	-			
6	17672-ZE2-W01	FILTER, FUEL .....	1	-	-	-	1149269	QA2, QA26, QAG2	

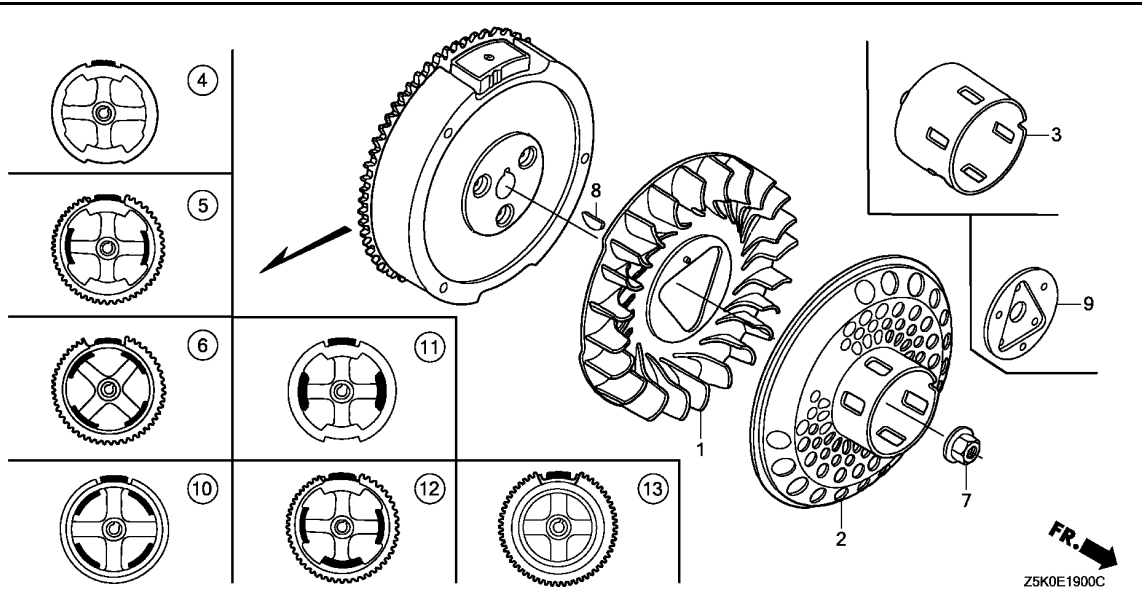
Ref. No.	Part No.	Description	Reqd. QTY				Serial No.	Parts catalogue code
			GX 270 UT	GX 270 UT2	GX 270 RT	GX 270 RT2		
7	91353-671-004	O-RING, 14MM(NOK)	1	1	-	-	HA2,HEA2,HEA8,HKS8,HX26,HX8,HXQ4,LXE8,LXQ4,LXU,PA2,PAE2,PX26 PX26,PXED,PXU,PZX8,QA2,QA26,QA4,QA2,QA6,QAG2,QAQ4,QAR2,QAW QE,QH26,QHB4,QHQ4,QKE4,QME2,QSC9,QSE8,QWA4,QWH2,QXB2,QXB6,QXB7 QXB9,QXC2,QXC4,QXC6,QXC9,QXCU,QXE4,QXE8,QXEM,QXQ4,QXU,QXUZ QZA2,QZAV,QZK4,QZM2,QZMH,QZX4,QZXR,RA2,RH26,RHE2,RHE4,RHE5 RHQ4,RHQ5,RXQ4,RXU,SAX4,SHQ4,SHQ5,SMC2,SMC4,SME1,SME6,SMX2 SWA2,SWA4,SWC4,SWS4,SXB7,SXB9,SXE4,SXE8, SXQ4, SXU,VA2,VKQ4,VMA4 VME4,VSD7,VSD9,VX2,VXB7,VXB9,VXE6,VXE7,VXE9,VXQ4,VXU1,VZX7,WKT WMT8	
8	94050-08000	NUT, FLANGE, 8MM	2	2	-	-	HA2,HEA2,HEA8,HKS8,HX26,HX8,HXQ4,LXE8,LXQ4,LXU,PA2,PAE2,PX26 PX26,PXED,PXU,PZX8,QA2,QA26,QA4,QA2,QA6,QAG2,QAQ4,QAR2,QAW QE,QH26,QHB4,QHQ4,QKE4,QME2,QSC9,QSE8,QWA4,QWH2,QXB2,QXB6,QXB7 QXB9,QXC2,QXC4,QXC6,QXC9,QXCU,QXE4,QXE8,QXEM,QXQ4,QXU,QXUZ QZA2,QZAV,QZK4,QZM2,QZMH,QZX4,QZXR,RA2,RH26,RHE2,RHE4,RHE5 RHQ4,RHQ5,RXQ4,RXU,SAX4,SHQ4,SHQ5,SMC2,SMC4,SME1,SME6,SMX2 SWA2,SWA4,SWC4,SWS4,SXB7,SXB9,SXE4,SXE8, SXQ4, SXU,VA2,VKQ4,VMA4 VME4,VSD7,VSD9,VX2,VXB7,VXB9,VXE6,VXE7,VXE9,VXQ4,VXU1,VZX7,WKT WMT8	
9	91424-Z4J-821	TUBE, FUEL, 4.5X430(FKM)	1	-	1	-	VS37, VS39	
	91424-Z5F-802	TUBE, FUEL, 4.5X222(FKM)	1	-	-	-	HA2,HEA2,HEA8,HKS8,HX26,HX8,HXQ4,LXQ4,PA2,PAE2,PX26,QA4,QA2 QA6,QAQ4,QAR2,QAW,QE,QKE4,QME2,QSC9,QWA4,QWH2,QXB2,QXB6,QXB9 QXC2,QXC4,QXC6,QXC9,QXCU,QXE4,RA2,RH26,RHE2,RHE4,RHQ4,RXQ4,SMC2 SMC4,SME1,SME6,SWA2,SWA4,SWC4,SWS4,SXB7,SXB9,SXE4,VA2,VKQ4 VMA4,VME4,VSD9,VXE6,VXE7,VXE9	
	91424-Z5F-801		1	-	-	-	PXED,QA2,QH26,QHB4,QHQ4,QXB7,QXC9,QXUZ,SHQ4,VN17,VSD7,VSH7,VX2 VXB7,VXB9,VXQ4	
	95001-45222-40	TUBE, FUEL, 4.5X222 (95001-45001-60M)	1	-	-	-	1015789 LXE8,LXU,PXE8,PXU,QA26,QAG2,QSE8,QXE8,QXQ4,QXU,SXE8, SXQ4, SXU VXU1	
	91424-Z5F-801	TUBE, FUEL, 4.5X222(FKM)	1	-	-	-	1015790 LXE8,LXU,PXE8,PXU,QA26,QAG2,QSE8,QXE8,QXQ4,QXU,SXE8, SXQ4, SXU VXU1	
	91424-Z5K-003	TUBE, FUEL, 4.5X210(FKM)	-	1	-	1	HA2,HEA2,HKS8,HX26,HX8,HXQ4,LXQ4,LXU,PA2,PAE2,PX26,PXE8,PXED PXU,PZX8,QA2,QA26,QA4,QA2,QA6,QAG2,QAQ4,QAR2,QAW,QE,QH26,QHB4 QHQ4,QKE4,QME2,QSC9,QSE8,QWA4,QWH2,QXB2,QXB6,QXB7,QXB9,QXC4,QXC6 QXC9,QXCU,QXE4,QXE8,QXEM,QXQ4,QXU,QXUZ,QZA2,QZAV,QZK4,QZM2 QZMH,QZX4,QZXR,RA2,RH26,RHE4,RHE5,RHQ4,RHQ5,RXQ4,RXU,SAX4,SHQ4 SHQ5,SMC4,SME1,SME6,SMX2,SWA4,SWC4,SWS4,SXB7,SXB9,SXE4, SXQ4 SXU,VA2,VDE2,VKB2,VKQ4,VMA4,VME4,VN17,VNT2,VSD7,VX2,VXB7,VXE6 VXE7,VXE9,VXQ4,VXU1,VZX7,WKT,WMT8	
	91424-Z5F-802	TUBE, FUEL, 4.5X222(FKM)	-	-	1	-	VAG2,VDE2,VKB2,VN17,VNT2,VSH7,VW12,VWN2	
	91424-Z4J-822	TUBE, FUEL, 4.5X430(FKM)	-	-	-	1	VS37	
10	95002-02080	CLIP, TUBE(B8)	2	-	-	-	1015789 LXE8,LXU,PXE8,PXU,QA26,QAG2,QSE8,QXE8,QXQ4,QXU,SXE8, SXQ4, SXU VXU1	
11	95701-08025-00	BOLT, FLANGE, 8X25	2	2	-	-	HA2,HEA2,HEA8,HKS8,HX26,HX8,HXQ4,LXE8,LXQ4,LXU,PA2,PAE2,PX26 PX26,PXED,PXU,PZX8,QA2,QA26,QA4,QA2,QA6,QAG2,QAQ4,QAR2,QAW QE,QH26,QHB4,QHQ4,QKE4,QME2,QSC9,QSE8,QWA4,QWH2,QXB2,QXB6,QXB7 QXB9,QXC2,QXC4,QXC6,QXC9,QXCU,QXE4,QXE8,QXEM,QXQ4,QXU,QXUZ QZA2,QZAV,QZK4,QZM2,QZMH,QZX4,QZXR,RA2,RH26,RHE2,RHE4,RHE5 RHQ4,RHQ5,RXQ4,RXU,SAX4,SHQ4,SHQ5,SMC2,SMC4,SME1,SME6,SMX2 SWA2,SWA4,SWC4,SWS4,SXB7,SXB9,SXE4,SXE8, SXQ4, SXU,VA2,VKQ4,VMA4 VME4,VSD7,VSD9,VX2,VXB7,VXB9,VXE6,VXE7,VXE9,VXQ4,VXU1,VZX7,WKT WMT8	





Ref. No.	Part No.	Description	Reqd. QTY				Serial No.	Parts catalogue code
			GX 270 UT	GX 270 UT2	GX 270 RT	GX 270 RT2		
12	95002-40800-08	CLAMP, TUBE (D8)	2	-	-	1	HA2, HEA2, HEA8, HKS8, HX26, HX8, HXQ4, LXQ4, PA2, PAE2, PX26, PXED, QA2 QA4, QAE2, QAE6, QAA4, QAR2, QAW, QE, QH26, QHB4, QHQ4, QKE4, QME2, QSC9 QWA4, QWH2, QXB2, QXB6, QXB7, QXB9, QXC2, QXC4, QXC6, QXC9, QXCU, QXE4 QXUZ, RA2, RH26, RHE2, RHE4, RHQ4, RXQ4, RXU, SHQ4, SMC2, SMC4, SME1, SME6 SWA2, SWA4, SWC4, SWS4, SXB7, SXB9, SXE4, VA2, VKQ4, VMA4, VME4, VN17 VS37, VS39, VSD7, VSD9, VSH7, VX2, VXB7, VXB9, VXE6, VXE7, VXE9, VXQ4 VKX4, VPX4, VPX5, VPX9	
			4	-	-	-		
			2	-	-	1015790	LXE8, LXU, PXE8, PXU, QA26, QAG2, QSE8, QXE8, QXQ4, QXU, SXE8, SXQ4, SXU VXU1	
			-	2	2	2	HA2, HEA2, HKS8, HX26, HX8, HXQ4, LXQ4, LXU, PA2, PAE2, PX26, PXE8, PXED PXU, PZX8, QA2, QA26, QA4, QAE2, QAG2, QAA4, QAR2, QAW, QE, QH26, QHB4 QHQ4, QKE4, QME2, QSC9, QSE8, QWA4, QWH2, QXB6, QXB7, QXB9, QXC4, QXC6 QXC9, QXCU, QXE4, QXE8, QXEM, QXQ4, QXU, QXUZ, QZA2, QZAV, QZK4, QZM2 QZMH, QZX4, QZXR, RA2, RH26, RHE4, RHE5, RHQ4, RHQ5, RXQ4, RXU, SAX4, SHQ4 SHQ5, SMC4, SME1, SME6, SMX2, SWA4, SWC4, SWS4, SXB7, SXB9, SXE4, SXQ4 SXU, VA2, VAG2, VDE2, VKB2, VKQ4, VMA4, VME4, VN17, VNT2, VS37, VS39, VSD7 VSH7, VW12, VWN2, VX2, VXB7, VXE6, VXE7, VXE9, VXQ4, VXU1, VZX7, WKT, WMT8	
			-	-	4	-	VKE4, VKX4, VPE2, VPE4, VPE5, VPX4, VPX5, VPX9	
			-	-	4	-	VKE4, VKX4, VMT2, VPE4, VPE5, VPX4, VPX5	
13	16910-GB2-005	STRAINER COMP., FUEL	1	-	1	-	VKE4, VKX4, VMT2, VPE2, VPE4, VPE5, VPX4, VPX5, VPX9	
14	17532-ZK6-881	RUBBER A, TANK MOUNTING	2	2	-	-	VSD9, VXE9	
	17532-ZK6-880		2	-	-	-	VXB9	
15	17534-ZK6-881	NUT, TANK MOUNTING	2	2	-	-	VSD9, VXE9	
	17534-ZK6-880		2	-	-	-	VXB9	
16	17536-ZK6-880	RUBBER COMP., TANK MOUNTING	2	2	-	-	VSD9, VXB9, VXE9	
17	90008-ZE2-003	BOLT, FLANGE, 6X10	4	4	-	-	VSD9, VXB9, VXE9	
18	90854-ZB3-000	RUBBER, FUEL (9X15X20)	1	-	1	-	VKE4, VKX4, VPE2, VPE4, VPE5, VPX4, VPX5, VPX9	
			-	-	-	1	VKE4, VKX4, VMT2, VPE4, VPE5, VPX4, VPX5, VS37	





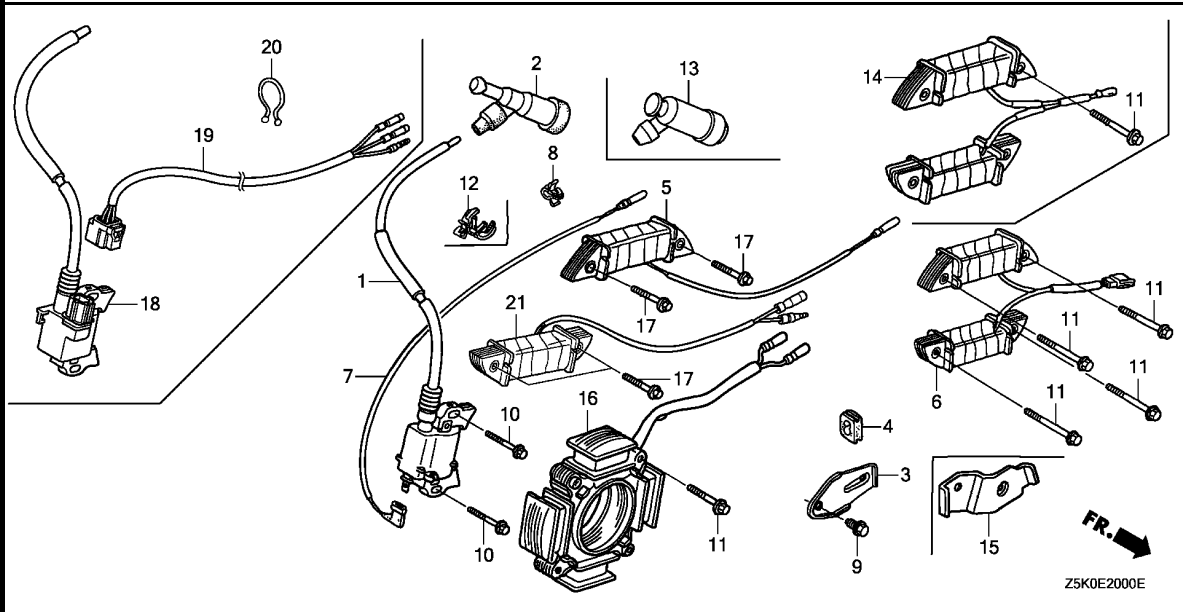
Ref. No.	L.O.N. (Relative ref. Number)	Description	F.R.T.

Ref. No.	Part No.	Description	Reqd. QTY				Serial No.	Parts catalogue code
			GX 270	GX 270 UT	GX 270 RT	GX 270 RT2		
1	19511-ZE2-000	FAN, COOLING .....	1	1	1	1		
2	28450-ZE2-W11	PULLEY COMP., STARTER (SCREEN GRID) .....	1	-	1	1	HA2,HEA2,HEA8,HKS8,HX26,LXE8,LXU,PA2,PAE2,QA2,QA26,QA4,QAE2,QAQ4,QAR2,QAW,QE,QH26,QHB4,QHQ4,QME2,QXB2,QXB7,QXB9,QXC2,QXE4,QXE8,QXQ4,QXUZ,RA2,RDG4,RH26,RHE2,RHE4,RHG4,RHQ4,RSC2,SHQ4,SWA4,SWC4,SBX7,SXE4,SXE8,SXQ4,SXU,VA2,VDE2,VKB2,VKE4,VKQ4,VKX4,VMT2,VN17,VPE2,VPE4,VPE5,VPX4,VPX5,VPX9,VS37,VS39,VSD7,VSD9,VSH7,VWA2,VWN2,VWT4,VXB7,VXB9,VXE7,VXU1	
3	28451-ZE2-W01	PULLEY, STARTER .....	1	1	1	1	HA2,HEA2,HKS8,HX26,HX8,HXQ4,LXQ4,LXU,PA2,PAE2,PA26,PXE8,PXED,PXU,PZX8,QA2,QA26,QA4,QAE2,QAQ4,QAR2,QAW,QE,QH26,QHB4,QHQ4,QME2,QSC9,QSE8,QWH2,QXB6,QXB7,QXB9,QXC4,QXC6,QXC9,QXCU,QXE4,QXE8,QXEM,QXQ4,QXU,QXUZ,QZA2,QZAV,QZM2,QZMH,QZX4,QZXR,RA2,RH26,RHE4,RHE5,RHQ4,RHQ5,RXQ4,RXU,SAX4,SHQ4,SHQ5,SME1,SME6,SWA4,SWC4,SWS4,SBX7,SBX9,SXE4,SXQ4,SXU,VA2,VKQ4,VSD7,VX2,VXB7,VXE6,VXE7,VXE9,VXQ4,VXU1,VZX7	
4	31100-ZE2-010	FLYWHEEL COMP. ....	1	-	1	-	HA2,HX26,HX8,HXQ4,LXQ4,LXU,PA2,PA26,PXU,QA2,QA26,QA4,QAG2,QAQ4,QAW,QE,QH26,QHB4,QHQ4,QWA4,QWH2,QXB2,QXB7,QXB9,QXC2,QXC4,QXC6,QXC9,QXCU,QXQ4,QXU,QXUZ,RA2,RH26,RHG4,RHQ4,RXQ4,RXU,SHQ4,SWA2,SWA4,SWC4,SWS4,SBX7,SBX9,SXQ4,SXU,VA2,VAG2,VKX4,VMA4,VN17,VNT2,VPX4,VPX5,VPX9,VS37,VS39,VSD7,VSD9,VSH7,VW12,VWA2,VWN2,VX2,VXB7,VXB9,VXQ4,VXU1	
	31110-Z5K-000	.....	-	1	-	1	HA2,HX26,HX8,HXQ4,LXQ4,LXU,PA2,PA26,PXU,QA2,QA26,QA4,QAG2,QAQ4,QAW,QE,QH26,QHB4,QHQ4,QWA4,QWH2,QXB7,QXB9,QXC4,QXC6,QXC9,QXCU,QXQ4,QXU,QXUZ,RA2,RH26,RHG4,RHQ4,RHQ5,RXQ4,RXU,SAX4,SHQ4,SHQ5,SMX2,SWA4,SWC4,SWS4,SBX7,SBX9,SXQ4,SXU,VA2,VKX4,VMA4,VN17,VNT2,VPX4,VPX5,VS37,VSD7,VX2,VXB7,VXQ4,VXU1,WKT,WMT8	
5	31100-ZE2-822	FLYWHEEL COMP.(STARTER MOTOR) .....	1	-	1	-	LXE8,PXE8,PXED,QXE4,QXE8,RHE2,RHE4,SXE4,SXE8,VME4,VPE2,VPE4,VPE5,VWT4,VXE6,VXE7,VXE9	

Ref. No.	Part No.	Description	Reqd. QTY				Serial No.	Parts catalogue code
			GX 270 UT	GX 270 UT2	GX 270 RT	GX 270 RT2		
(5)	31110-Z5K-820	FLYWHEEL COMP.(STARTER MOTOR)	-	1	-	1	-----	PXE8,PXED,QXE4,QXE8,QXEM,RHE4,RHE5,SXE4,VME4,VMT2,VPE4,VPE5 VMT4,VXE6,VXE7,VXE9
6	31100-ZE2-832	FLYWHEEL COMP.(4POLE) .....	1	-	1	-	-----	HEA2,HEA8,HKS8,PAE2,QAE2,QAE6,QKE4,QME2,QSC9,QSE8,QXB6,SME1 SME6,VDE2,VKB2,VKE4
	31110-Z5K-840	FLYWHEEL COMP.(SEL-4POLE) ...	-	1	-	1	-----	HEA2,HKS8,PAE2,QAE2,QKE4,QME2,QSC9,QSE8,QXB6,QZK4,SME1,SME6 VDE2,VKB2,VKE4
7	90201-ZE3-790	NUT, SPECIAL, 16MM .....	1	-	1	-	-----	HA2,HEA2,HEA8,HKS8,HX26,HX8,HXQ4,LXQ4,PA2,PAE2,PX26,PXED,QA4 QAE2,QAE6,QAQ4,QAR2,QAW,QE,QHB4,QKE4,QME2,QSC9,QWA4,QWH2,QXB2 QXB6,QXB9,QXC2,QXC4,QXC6,QXCU,QXE4,QXUZ,RA2,RH26,RHE2,RHE4 RHG4,RHQ4,RSC2,RXQ4,RXU,SMC2,SMC4,SME1,SME6,SWA2,SWA4,SWC4 SWS4,SXB7,SXB9,SXE4,VA2,VAG2,VDE2,VKB2,VKE4,VKQ4,VKX4,VMA4 VME4,VN17,VNT2,VPE2,VPE4,VPE5,VPX4,VPX5,VPX9,VS37,VS39,VSD7 VSD9,VSH7,VW12,VWA2,VWN2,VWT4,VX2,VXB7,VXB9,VXE6,VXE7,VXE9 VXQ4
	90201-ZE3-V00	.....	1	-	-	-	-----	LXE8,LXU,PXE8,PXU,QA2,QA26,QAG2,QH26,QHQ4,QSE8,QXB7,QXC9,QXE8 QXQ4,QXU,SHQ4,SXE8,SXQ4,SXU,VXU1
	90201-ZE3-790	.....	-	1	-	1	-----	HA2,HEA2,HKS8,HX26,HX8,HXQ4,LXQ4,LXU,PA2,PAE2,PX26,PXED,PXU PZX8,QA2,QA26,QA4,QAE2,QAG2,QAQ4,QAR2,QAW,QE,QH26,QHB4,QHQ4 QKE4,QME2,QSE8,QXB6,QXB7,QXB9,QXE4,QXE8,QXQ4,QXU,QXU2,QZA2 QZAV,QZK4,QZX4,RA2,RH26,RHE4,RHE5,RHQ4,RSC2,RXQ4,RXU,SHQ4,SMC4 SME1,SME6,SWA4,SWC4,SWS4,SXB7,SXB9,SXE4,SXQ4,SXU,VA2,VDE2,VKB2 VKE4,VKQ4,VKX4,VMT2,VN17,VNT2,VPE4,VPE5,VPX4,VPX5,VS37,VSD7 VWT4,VX2,VXB7,VXE6,VXE7,VXE9,VXQ4,VXU1,VZX7
	90201-ZE3-V00	.....	-	1	-	1	-----	PXE8,QSC9,QWA4,QWH2,QXC4,QXC6,QXC9,QXCU,QXEM,QZK4,QZM2,QZMH QZXR,RDG4,RHG4,RHQ5,SAX4,SHQ5,SMX2,VMA4,VME4,WKT,WMT8
8	90741-ZE2-000	KEY, SPECIAL WOODRUFF, 25X18	1	1	1	1		
9	19512-ZE2-000	PLATE, COOLING FAN SETTING ..	1	1	-	-	-----	QKE4,QZK4
10	31100-ZE2-W01	FLYWHEEL COMP.(18A) .....	1	-	-	-	-----	QAR2
	31110-Z5K-850	.....	-	1	-	-	-----	QAR2
11	31100-ZE2-812	FLYWHEEL COMP.(LAMP) .....	1	-	1	-	-----	RSC2,SMC2,SMC4,VKQ4
	31110-Z5K-810	.....	-	1	-	1	-----	RDG4,RSC2,SMC4,VKQ4
12	31110-Z5K-W00	FLYWHEEL COMP.(SEL) .....	-	1	-	-	-----	PZX8,QZA2,QZAV,QZX4,QZXR,VZX7
13	31110-Z5K-W41	FLYWHEEL COMP.(SEL-16POLE) ..	-	1	-	-	-----	QZK4,QZM2,QZMH







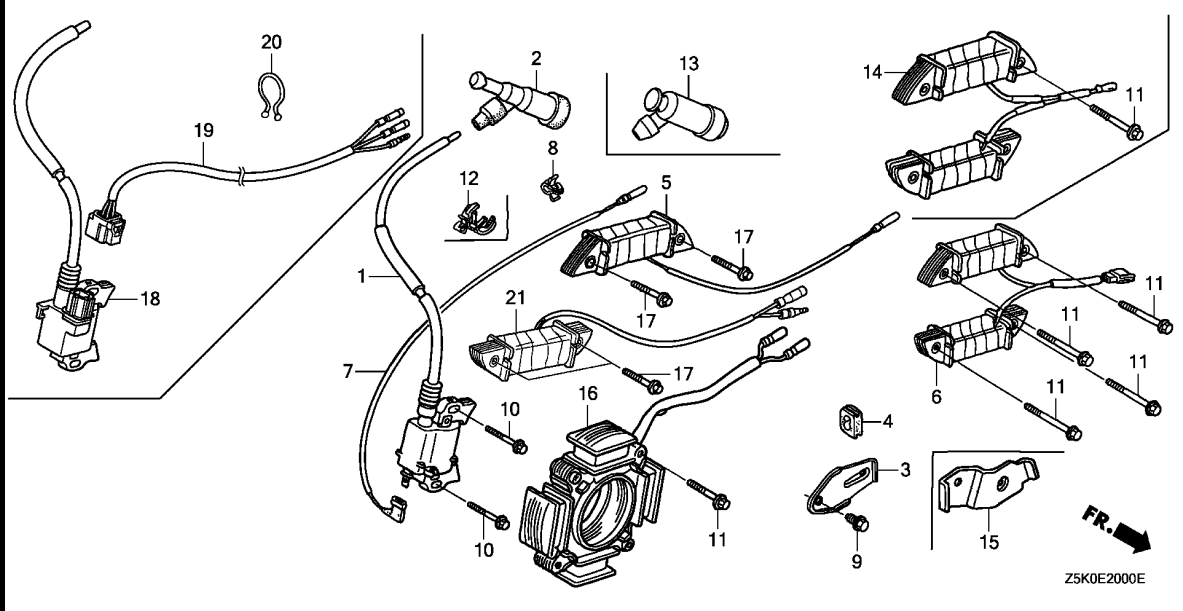
Ref. No.	L.O.N.	(Relative ref. Number) Description	F.R.T.



Ref. No.	Part No.	Description	Reqd. QTY				Serial No.	Parts catalogue code
			GX 270	GX 270	GX 270	GX 270		
1	30500-Z1C-023	COIL ASSY., IGNITION	1	-	1	-	HA2,HEA2,HEA8,HKS8,HX26,HX8,HXQ4,LXQ4,PA2,PAE2,PX26,PXED,QA4,QA2,QAE6,QAQ4,QAR2,QAW,QE,QHB4,QKE4,QME2,QSC9,QWA4,QWH2,QXB2,QXB6,QXB9,QXC2,QXC4,QXC6,QXCU,QXE4,QXUZ,RA2,RH26,RHE2,RHE4,RHG4,RHQ4,RSC2,RXQ4,RXU,SMC2,SMC4,SME1,SME6,SWA2,SWA4,SWC4,SWS4, SXB7, SXB9, SXE4, VA2, VAG2, VDE2, VKB2, VKE4, VKQ4, VMA4, VME4, VN17, VNT2, VPE2, VPE4, VPE5, VPX4, VPX5, VPX9, VS37, VS39, VSD7, VSD9, VSH7, VW12, VWA2, VWN2, VWT4, VX2, VXB7, VXB9, VXE6, VXE7, VXE9, VXQ4	
	30500-Z1C-013		1	-	-	-	1054631 LXE8, LXU, PXE8, PXU, QA2, QA26, QAG2, QH26, QHQ4, QSE8, QXB7, QXC9, QXE8, QXQ4, QXU, SHQ4, SXE8, SXQ4, SXU, VXU1	
	30500-Z1C-023		1	-	-	-	1054632 LXE8, LXU, PXE8, PXU, QA2, QA26, QAG2, QH26, QHQ4, QSE8, QXB7, QXC9, QXE8, QXQ4, QXU, SHQ4, SXE8, SXQ4, SXU, VXU1	
2	30700-Z1C-811	CAP ASSY., NOISE SUPPRESSOR (NGK Y-EZD)	1	1	1	1	HA2,HEA2,HEA8,HKS8,HX26,HX8,HXQ4,LXE8,LXQ4,LXU,PA2,PAE2,PX26,PXE8,PXED,PXU,QA2,QA26,QA4,QAE2,QAE6,QAG2,QAQ4,QAR2,QAW,QE,QH26,QHB4,QHQ4,QKE4,QME2,QSC9,QSE8,QWA4,QWH2,QXB2,QXB6,QXB7,QXB9,QXC2,QXC4,QXC6,QXC9,QXCU,QXE4,QXE8,QXEM,QXQ4,QXU,QXUZ,RA2,RDG4,RH26,RHE2,RHE4,RHE5,RHG4,RHQ4,RHQ5,RSC2,RXQ4,RXU,SAX4,SHQ4,SHQ5,SMC2,SMC4,SME1,SME6,SMX2,SWA2,SWA4,SWC4,SWS4,SXB7,SXB9,SXE4,SXE8,SXQ4,SXU,VA2,VAG2,VDE2,VKB2,VKQ4,VMA4,VME4,VN17,VNT2,VSD7,VSD9,VSH7,VW12,VWA2,VWN2,VWT4,VX2,VXB7,VXB9,VXE6,VXE7,VXE9,VXQ4,VXU1,WKT,WMT8	
3	31511-ZE2-000	CLAMPER, CORD	1	-	1	1	HA2,HEA8,HKS8,LXE8,PAE2,PXE8,PXED,QAE2,QAE6,QKE4,QME2,QSC9,QSE8,QXB6,QXE4,QXE8,RDG4,RHE2,RHE4,RSC2,SMC2,SMC4,SME1,SME6,SXE4,SXE8,VDE2,VKB2,VKE4,VKQ4,VME4,VMT2,VPE2,VPE4,VPE5,VXE6,VXE7,VXE9	
			-	1	-	-	HA2,HKS8,PAE2,PXE8,PXED,QAE2,QKE4,QME2,QSC9,QSE8,QXB6,QXE4,QXEM,RHE4,RHE5,SMC4,SME1,SME6,SXE4,VKQ4,VME4,VXE6,VXE7,VXE9	

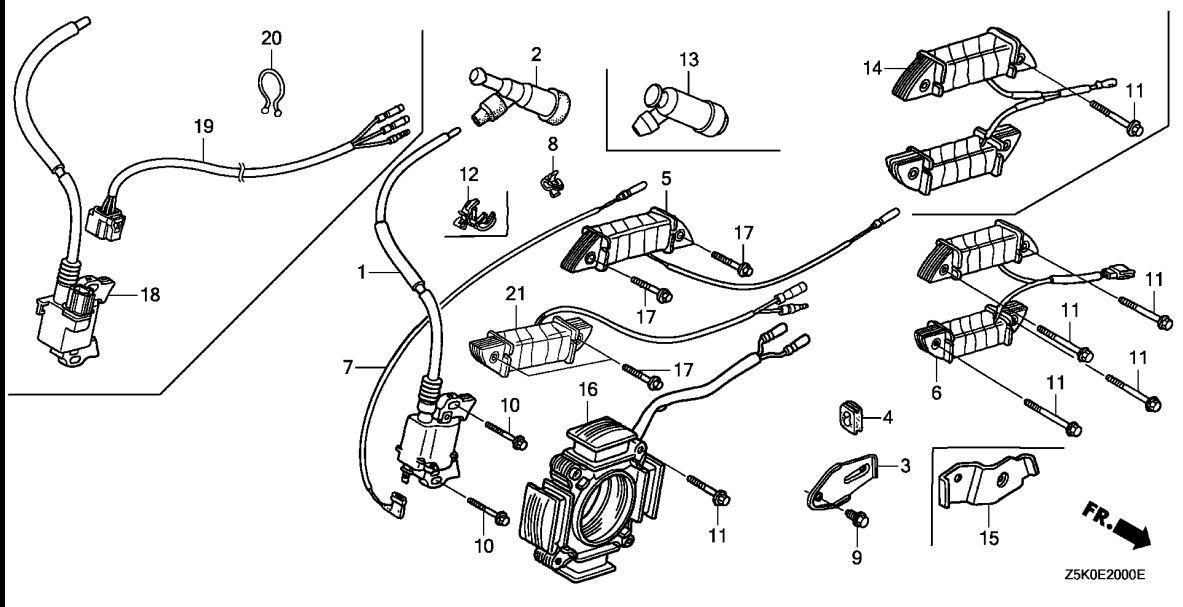
Ref. No.	Part No.	Description	Reqd. QTY				Serial No.	Parts catalogue code
			GX 270 UT	GX 270 UT2	GX 270 RT	GX 270 RT2		
4	31512-ZE2-000	GROMMET, CORD .....	1	-	1	1	-----	HA2,HEA2,HEA8,HKS8,HX26,HX8,HXQ4,LXE8,LXQ4,LXU,PA2,PAE2,PX26 PXE8,PXED,PXU,QA2,QA26,QA4,QA2,QA6,QAG2,QAQ4,QAR2,QAW,QE QH26,QHB4,QHQ4,QKE4,QME2,QSC9,QSE8,QWA4,QWH2,QXB2,QXB6,QXB7 QXB9,QXC2,QXC4,QXC6,QXC9,QXCU,QXE4,QXE8,QXQ4,QXU,QXUZ,RA2,RDG4 RH26,RHE2,RHE4,RHG4,RHQ4,RSC2,RXQ4,RXU,SHQ4,SME1,SME6,SWA2 SWA4,SWC4,SWS4,SWB7,SWB9,SXE4,SXE8, SXQ4, SXU, VA2, VAG2, VDE2, VKB2 VKE4, VKQ4, VKX4, VMA4, VME4, VMT2, VN17, VNT2, VPE2, VPE4, VPE5, VPX4 VPX5, VPX9, VS37, VS39, VSD7, VSD9, VSH7, VW12, VMA2, VWN2, VWT4, VX2 VXB7, VXB9, VXE6, VXE7, VXE9, VXQ4, VXU1
			-	1	-	-	-----	HA2,HEA2,HKS8,HX26,HX8,HXQ4,LXQ4,LXU,PA2,PAE2,PX26,PXE8,PXED PXU,QA2,QA26,QA4,QA2,QA6,QAG2,QAQ4,QAR2,QAW,QE,QH26,QHB4,QHQ4 QKE4,QME2,QSC9,QSE8,QWA4,QWH2,QXB6,QXB7,QXB9,QXC4,QXC6,QXC9 QXCU,QXE4,QXE8,QXEM,QXQ4,QXU,QXUZ,RA2,RH26,RHE4,RHE5,RHQ4,RHQ5 RXQ4,RXU,SAX4,SHQ4,SHQ5,SMC4,SME1,SME6,SMX2,SWA4,SWC4,SWS4 SWB7,SWB9,SXE4, SXQ4, SXU, VA2, VAG2, VDE2, VKB2, VKE4, VKQ4, VKX4, VMA4, VME4, VSD7, VX2, VXB7, VXE6 VXE7, VXE9, VXQ4, VXU1, WKT, WMT8
5	31630-ZE2-842	COIL ASSY., CHARGE(3A) .....	1	1	1	1	-----	HEA2,HEA8,HKS8,PAE2,PAE2,QA2,QA6,VDE2,VKB2,VKE4
	31630-ZE1-013	COIL ASSY., CHARGE(1A) .....	1	-	1	1	-----	LXE8,PXE8,PXED,QXE4,QXE8,RHE2,RHE4,SXE4,SXE8,VME4,VMT2,VPE2 VPE4,VPE5,VXE6,VXE7,VXE9
	31510-ZE2-H91	COIL ASSY., LAMP(12V/25W) ...	1	-	-	-	-----	VKQ4
	31630-ZE1-013	COIL ASSY., CHARGE(1A) .....	-	1	-	-	-----	PXE8,PXED,QXE4,QXEM,RHE4,RHE5,SXE4,VME4,VXE6,VXE7,VXE9
6	31630-ZE2-861	COIL ASSY., CHARGE(10A) .....	1	1	-	-	-----	QKE4,QME2,QSC9,QSE8,QXB6,SME1,SME6
7	36101-ZE1-010	CORD, STOP SWITCH(370MM) ....	1	-	1	-	-----	
8	36103-ZE1-000	HOLDER, STOP SWITCH CORD ....	1	-	1	-	-----	HEA2,HEA8,HKS8,LXE8,PAE2,PXE8,PXED,QA2,QA6,QE,QH26,QHB4,QHQ4 QME2,QSC9,QSE8,QXB6,QXE4,QXE8,RH26,RHE2,RHE4,RHG4,RHQ4,SHQ4 SME1,SXE4,SXE8,VDE2,VKB2,VKQ4,VXE6,VXE7,VXE9
			-	1	-	-	-----	HEA2,HKS8,PAE2,PXE8,PXED,QA2,QME2,QSC9,QSE8,QXB6,QXE4,QXE8 QXEM,RHE4,RHE5,SME1,SXE4,VXE6,VXE7,VXE9
			-	-	-	1	-----	VDE2,VKB2,VS37
9	90013-883-000	BOLT, FLANGE, 6X12(CT200) ...	1	-	1	1	-----	HEA2,HEA8,HKS8,LXE8,PAE2,PXE8,PXED,QA2,QA6,QKE4,QME2,QSC9 QSE8,QXB6,QXE4,QXE8, RDG4, RHE2, RHE4, RSC2, SMC2, SMC4, SME1, SME6 SXE4,SXE8,VDE2,VKB2,VKE4,VKQ4,VME4,VMT2,VPE2,VPE4,VPE5,VXE6 VXE7,VXE9
			-	1	-	-	-----	HEA2,HKS8,PAE2,PXE8,PXED,QA2,QKE4,QME2,QSC9,QSE8,QXB6,QXE4 QXEM,RHE4,RHE5,SMC4,SME1,SME6,SXE4,VKQ4,VME4,VXE6,VXE7,VXE9
10	90015-883-000	BOLT, FLANGE, 6X28(CT200) ...	2	2	2	2	-----	HA2,HEA2,HEA8,HKS8,HX26,HX8,HXQ4,LXE8,LXQ4,LXU,PA2,PAE2,PX26 PXE8,PXED,PXU,QA2,QA26,QA4,QA2,QA6,QAG2,QAQ4,QAR2,QAW,QE QH26,QHB4,QHQ4,QKE4,QME2,QSC9,QSE8,QWA4,QWH2,QXB2,QXB6,QXB7 QXB9,QXC2,QXC4,QXC6,QXC9,QXCU,QXE4,QXE8,QXEM,QXQ4,QXU,QXUZ,RA2 RDG4,RH26,RHE2,RHE4,RHE5,RHG4,RHQ4,RHQ5,RSC2,RXQ4,RXU,SAX4 SHQ4,SHQ5,SMC2,SMC4,SME1,SME6,SMX2,SWA2,SWA4,SWC4,SWS4,SWB7 SWB9,SXE4,SXE8, SXQ4, SXU, VA2, VAG2, VDE2, VKB2, VKE4, VKQ4, VKX4, VMA4 VME4, VMT2, VN17, VNT2, VPE2, VPE4, VPE5, VPX4, VPX5, VPX9, VS37, VS39 VSD7, VSD9, VSH7, VW12, VMA2, VWN2, VWT4, VX2, VXB7, VXB9, VXE6, VXE7 VXE9, VXQ4, VXU1, WKT, WMT8
11	90017-883-000	BOLT, FLANGE, 6X32(CT200) ...	4	4	-	-	-----	QAR2,QKE4,QME2,QSC9,QSE8,QXB6,SME1,SME6
	90015-883-000	BOLT, FLANGE, 6X28(CT200) ...	4	-	4	4	-----	RSC2,SMC2,SMC4
			-	4	-	-	-----	SMC4,VKQ4





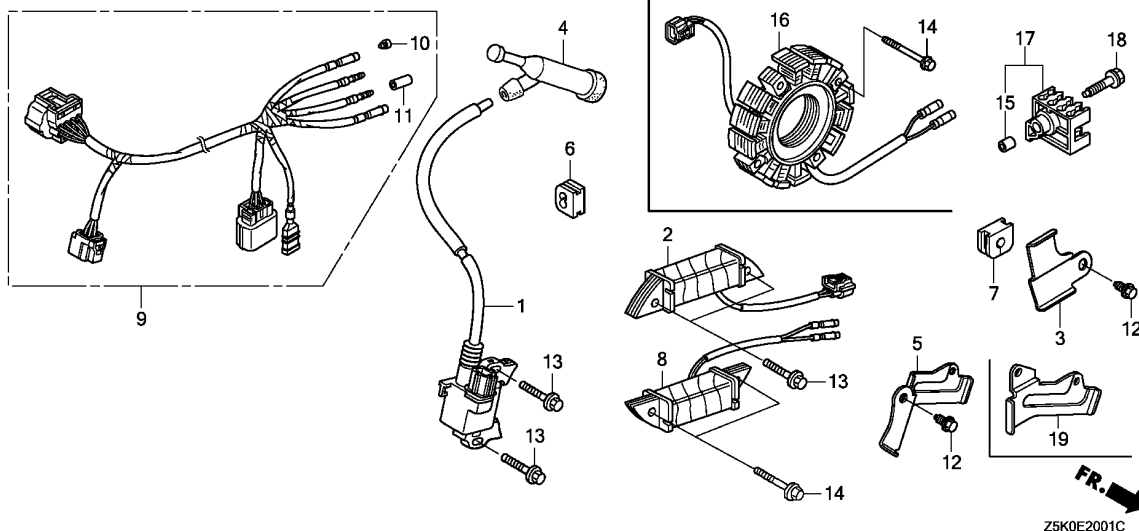
Z5K0E2000E

Ref. No.	Part No.	Description	Reqd. QTY				Serial No.	Parts catalogue code
			GX 270 UT	GX 270 UT2	GX 270 RT	GX 270 RT2		
12	90684-ZA0-601	CLIP, HARNESS	1	-	1	-	HA2, HX26, HX8, HXQ4, LXQ4, LXU, PA2, PX26, PXU, QA2, QA26, QA4, QAG2, QAQ4, QAR2, QAW, QWA4, QWH2, QXB2, QXB7, QXB9, QXC2, QXC4, QXC6, QXC9, QXCU, QXQ4, QXU, QXUZ, RA2, RSC2, RXQ4, RXU, SMC2, SMC4, SME6, SWA2, SWA4, SWC4, SWS4, SXB7, SXB9, SXQ4, SXU, VA2, VAG2, VKX4, VMA4, VN17, VNT2, VPX4, VPX5, VPX9, VS37, VS39, VSD7, VSD9, VSH7, VW12, VWA2, VWN2, VX2, VXB7, VXB9, VXQ4, VXU1	
13	30700-ZF5-013	CAP ASSY., NOISE SUPPRESSOR	1	-	1	1	HA2, HX26, HX8, HXQ4, LXQ4, LXU, PA2, PX26, PXU, QA2, QA26, QA4, QAG2, QAQ4, QAR2, QAW, QE, QH26, QHB4, QHQ4, QWA4, QWH2, QXB7, QXB9, QXC4, QXC6, QXC9, QXCU, QXQ4, QXU, QXUZ, RA2, RDG4, RH26, RHG4, RHQ4, RHQ5, RSC2, RXQ4, RXU, SAX4, SHQ4, SHQ5, SMC4, SME6, SMX2, SWA4, SWC4, SWS4, SXB7, SXB9, SXQ4, SXU, VA2, VKQ4, VKX4, VMA4, VN17, VNT2, VPX4, VPX5, VS37, VSD7, VX2, VXB7, VXQ4, VXU1, WKT, WMT8	
14	31510-ZE2-811	COIL ASSY., LAMP(12V/50W)	1	-	1	1	VKE4, VKX4, VMT2, VPE2, VPE4, VPE5, VPX4, VPX5, VPX9, VS37, VS39	
15	31511-ZE2-W00	CLAMPER, CORD	1	1	-	-	RSC2, SMC2, SMC4, SMC4, VKQ4, QAR2	
16	31630-ZE2-W01	COIL ASSY., CHARGE(12V/18A)	1	1	-	-	QAR2	
17	90017-883-000	BOLT, FLANGE, 6X32(CT200)	2	2	2	2	HEA2, HEA8, HKS8, PAE2, QAE2, QAE6, VDE2, VKB2, VKE4	
	90015-883-000	BOLT, FLANGE, 6X28(CT200)	2	-	2	2	LXE8, PXE8, PXED, QXE4, QXE8, RDG4, RHE2, RHE4, SXE4, SXE8, VKQ4, VME4, VMT2, VPE2, VPE4, VPE5, VXE6, VXE7, VXE9	
			-	2	-	-	PXE8, PXED, QXE4, QXEM, RHE4, RHE5, SXE4, VME4, VXE6, VXE7, VXE9	



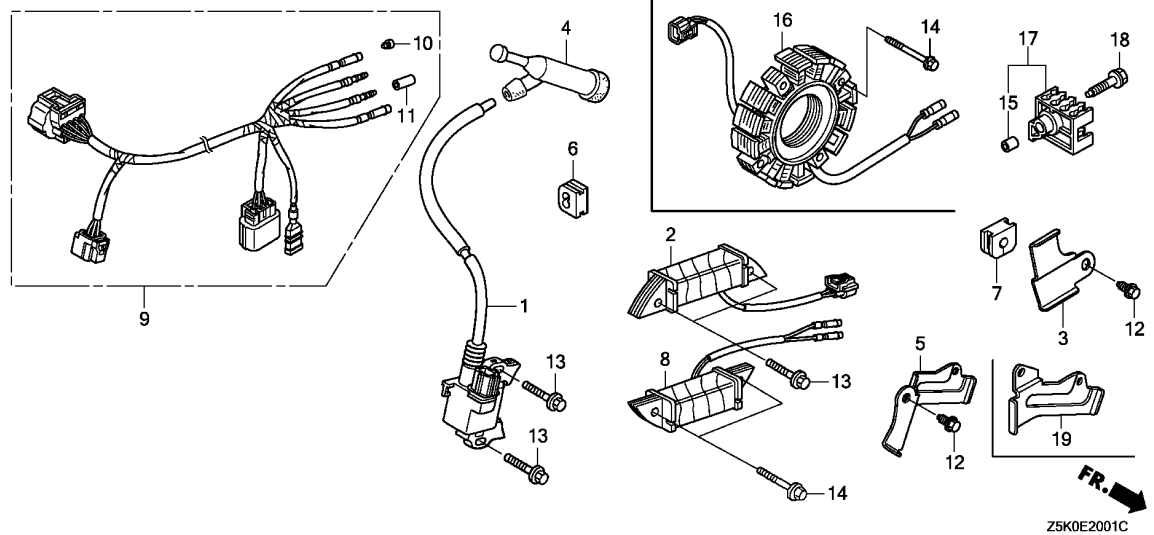
Ref. No.	Part No.	Description	Reqd. QTY				Serial No.	Parts catalogue code
			GX 270 UT	GX 270 UT2	GX 270 RT	GX 270 RT2		
18	30500-Z5K-003	COIL ASSY., IGNITION .....	-	1	-	1	HA2,HEA2,HKS8,HX26,HX8,HXQ4,LXQ4,LXU,PA2,PAE2,PX26,PXE8,PXED,PXU,QA2,QA26,QA4,QAE2,QAG2,QAQ4,QAR2,QAW,QE,QH26,QHB4,QHQ4,QKE4,QME2,QSC9,QSE8,QWA4,QWH2,QXB6,QXB7,QXB9,QXC4,QXC6,QXC9,QXCU,QXE4,QXE8,QXEM,QXQ4,QXU,QXUZ,RA2,RH26,RHE4,RHQ4,RSC2,RXQ4,RXU,SAX4,SHQ4,SMC4,SME1,SME6,SMX2,SWA4,SWC4,SWS4,SXB7,SXB9,SXE4,SXQ4,SXU,VA2,VDE2,VKB2,VKE4,VKQ4,VKX4,VMA4,VME4,VMT2,VN17,VNT2,VPE4,VPE5,VPX4,VPX5,VS37,VSD7,VWT4,VX2,VXB7,VXE6,VXE7,VXE9,VXQ4,VXU1,WKT,WMT8	
	30500-Z5K-801	.....	-	1	-	1	RDG4,RHE5,RHG4,RHQ5,SHQ5	
19	32110-Z5K-000	HARNESS ASSY., ENGINE WIRE ..	-	1	-	1	HA2,HX26,HX8,HXQ4,LXQ4,LXU,PA2,PX26,PXU,QA2,QA26,QA4,QAG2,QAQ4,QAR2,QAW,QWA4,QWH2,QXB7,QXB9,QXC4,QXC6,QXCU,QXQ4,QXU,QXUZ,RA2,RSC2,RXQ4,RXU,SMC4,SME6,SMX2,SWA4,SWC4,SWS4,SXB7,SXB9,SXQ4,SXU,VA2,VKX4,VMA4,VN17,VNT2,VPX4,VPX5,VS37,VSD7,VX2,VXB7,VXQ4,VXU1,WKT,WMT8	
	32110-Z5K-810	HARNESS ASSY., ENGINE WIRE (SEL)	-	1	-	1	HEA2,HKS8,PAE2,PXE8,PXED,QAE2,QKE4,QME2,QSC9,QSE8,QXB6,QXE4,QXEM,SME1,SXE4,VDE2,VKB2,VKE4,VME4,VMT2,VPE4,VPE5,VWT4,VXE6,VXE7,VXE9	
	32110-Z5K-800	HARNESS ASSY., ENGINE WIRE ..	-	1	-	1	QE,QH26,QHB4,QHQ4,RDG4,RH26,RHG4,RHQ4,RHQ5,SAX4,SHQ4,SHQ5,VKQ4	
	32110-Z5K-820	HARNESS ASSY., ENGINE WIRE (SEL)	-	1	-	-	QXE8,RHE4,RHE5	
20	90630-751-000	CLIP, PURSE LOCK .....	-	1	-	1	PXE8,PXED,QKE4,QME2,QSC9,QSE8,QXB6,QXEM,RHE5,SME1,VKE4,VME4,VMT2,VPE4,VPE5,VWT4,VXE6,VXE9	
21	31510-ZE3-003	COIL ASSY., LAMP(12V/25W) ...	-	-	-	1	RDG4	





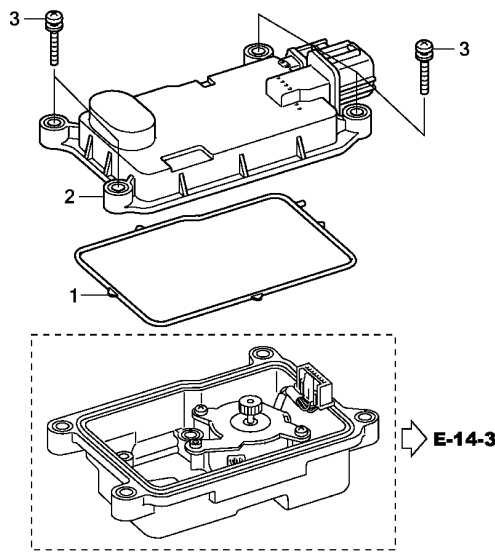
Ref. No.	L.O.N.	(Relative ref. Number) Description	F.R.T.
----------	--------	------------------------------------	--------

Ref. No.	Part No.	Description	Reqd. QTY				Serial No.	Parts catalogue code
			GX 270 UT	GX 270 UT2	GX 270 RT	GX 270 RT2		
1	30500-Z5K-003	COIL ASSY., IGNITION .....	-	1	-	-	PZX8,QZA2,QZAV,QZK4,QZM2,QZMH,QZX4,QZXR,VZX7	
2	30595-Z5T-W01	COIL ASSY., POWER .....	-	1	-	-	PZX8,QZA2,QZAV,QZX4,QZXR,VZX7	
3	30596-Z5T-W00	BRACKET B, HARNESS .....	-	1	-	-	PZX8,QZA2,QZAV,QZK4,QZM2,QZMH,QZX4,QZXR,VZX7	
4	30700-Z1C-811	CAP ASSY., NOISE SUPPRESSOR (NGK Y-EZD)	-	1	-	-	PZX8,QZA2,QZAV,QZK4,QZM2,QZMH,QZX4,QZXR,VZX7	
5	31511-Z5T-W00	CLAMPER, CORD .....	-	1	-	-	PZX8,QZA2,QZAV,QZK4,QZX4,QZXR,VZX7	
6	31512-ZE2-000	GROMMET, CORD .....	-	1	-	-	PZX8,QZA2,QZAV,QZK4,QZM2,QZMH,QZX4,QZXR,VZX7	
7	31512-Z5T-W00	GROMMET, CORD .....	-	1	-	-	PZX8,QZA2,QZAV,QZK4,QZM2,QZMH,QZX4,QZXR,VZX7	
8	31630-Z5T-W01	COIL ASSY., CHARGE(0.9A) .....	-	1	-	-	PZX8,QZX4,QZXR,VZX7	
	31630-Z5T-W11	COIL ASSY., CHARGE(2.9A) .....	-	1	-	-	QZA2,QZAV	
9	32110-Z5K-W00	HARNESS ASSY., ENGINE WIRE ..	-	1	-	-	PZX8,QZA2,QZX4,QZXR,VZX7	
	32110-Z5K-W10	.....	-	1	-	-	QZAV	
	32110-Z5K-W40	HARNESS ASSY., ENGINE WIRE (REMOTE)(SW)	-	1	-	-	QZK4	
	32110-Z5T-W00	HARNESS ASSY., ENGINE WIRE ..	-	1	-	-	QZM2,QZMH	
10	32823-ZV5-003	PLUG, INNER CONNECTOR .....	-	1	-	-	PZX8,QZA2,QZAV,QZK4,QZM2,QZMH,QZX4,QZXR,VZX7	
11	32824-ZV5-003	PLUG, OUTER CONNECTOR .....	-	1	-	-	PZX8,QZA2,QZAV,QZK4,QZM2,QZMH,QZX4,QZXR,VZX7	
12	90013-883-000	BOLT, FLANGE, 6X12(CT200) ...	-	2	-	-	PZX8,QZA2,QZAV,QZK4,QZM2,QZMH,QZX4,QZXR,VZX7	
13	90015-883-000	BOLT, FLANGE, 6X28(CT200) ...	-	4	-	-	PZX8,QZA2,QZAV,QZX4,QZXR,VZX7	
			-	2	-	-	QZK4,QZM2,QZMH	
14	90121-952-000	BOLT, FLANGE, 6X25(CT200) ...	-	2	-	-	PZX8,QZX4,QZXR,VZX7	
	90017-883-000	BOLT, FLANGE, 6X32(CT200) ...	-	2	-	-	QZA2,QZAV	
			-	4	-	-	QZK4,QZM2,QZMH	
15	17239-ZE1-000	COLLAR B, AIR CLEANER .....	-	1	-	-	QZK4	
16	31630-Z5T-W21	COIL ASSY., CHARGE(12A) .....	-	1	-	-	QZK4,QZM2	
	31630-Z5T-W31	COIL ASSY., CHARGE(20A) .....	-	1	-	-	QZMH	



Ref. No.	Part No.	Description	Reqd. QTY				Serial No.	Parts catalogue code
			GX 270	GX 270	GX 270	GX 270		
			UT	UT2	RT	RT2		
17	32111-Z5T-W00	HOLDER, CONNECTOR .....	-	1	-	-	-----	QZK4
18	90022-888-010	BOLT, FLANGE, 6X20(CT200) ...	-	1	-	-	-----	QZK4
19	31511-Z5T-W10	CLAMPER, CORD .....	-	1	-	-	-----	QZM2,QZMH

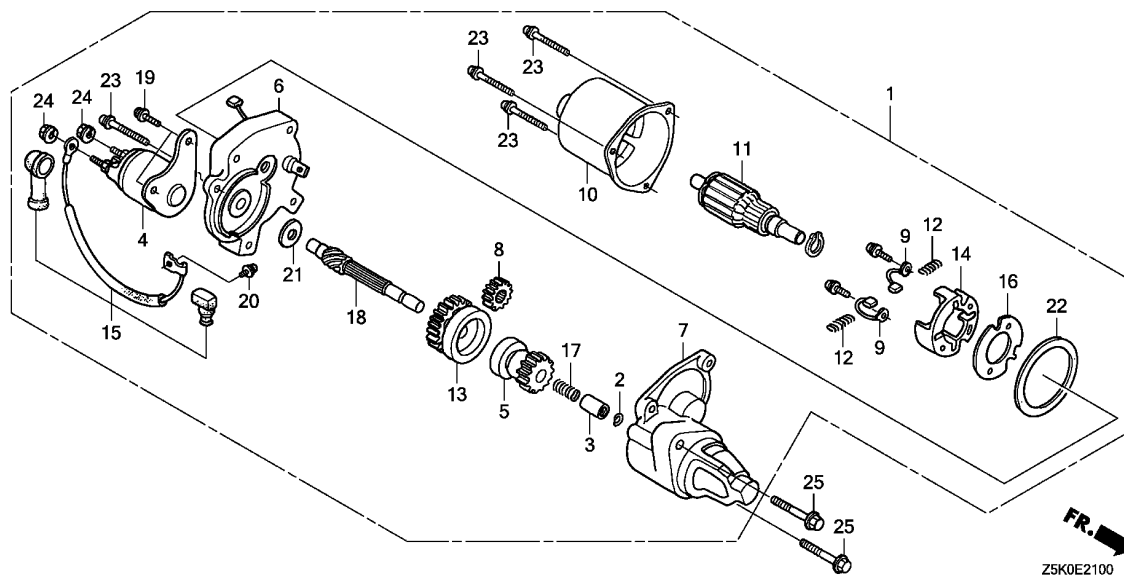




Ref. No.	L.O.N. (Relative ref. Number)	Description	F.R.T.
----------	-------------------------------	-------------	--------

2

Ref. No.	Part No.	Description	Reqd. QTY				Serial No.	Parts catalogue code
			GX 270	GX 270	GX 270	GX 270		
1	16755-Z5T-W00	SEAL, ELECTRONIC CONTROL UNIT COVER	-	1	-	-	----- PZX8,QZA2,QZAV,QZK4,QZM2,QZMH,QZX4,QZXR,VZX7	
2	34750-Z5T-W61	CONTROL UNIT, ELECTRONIC	-	1	-	-	----- PZX8,QZA2,QZK4,QZX4	
	34750-Z5T-W11	.....	-	1	-	-	----- QZAV	
	34750-Z5T-W71	.....	-	1	-	-	----- QZM2	
	34750-Z5T-V21	.....	-	1	-	-	----- QZMH	
	34750-Z5T-V31	.....	-	1	-	-	----- QZXR	
	34750-Z5T-W21	.....	-	1	-	-	----- VZX7	
3	93891-04020-07	SCREW-WASHER, 4X20	-	4	-	-	----- PZX8,QZA2,QZAV,QZK4,QZM2,QZMH,QZX4,QZXR,VZX7	

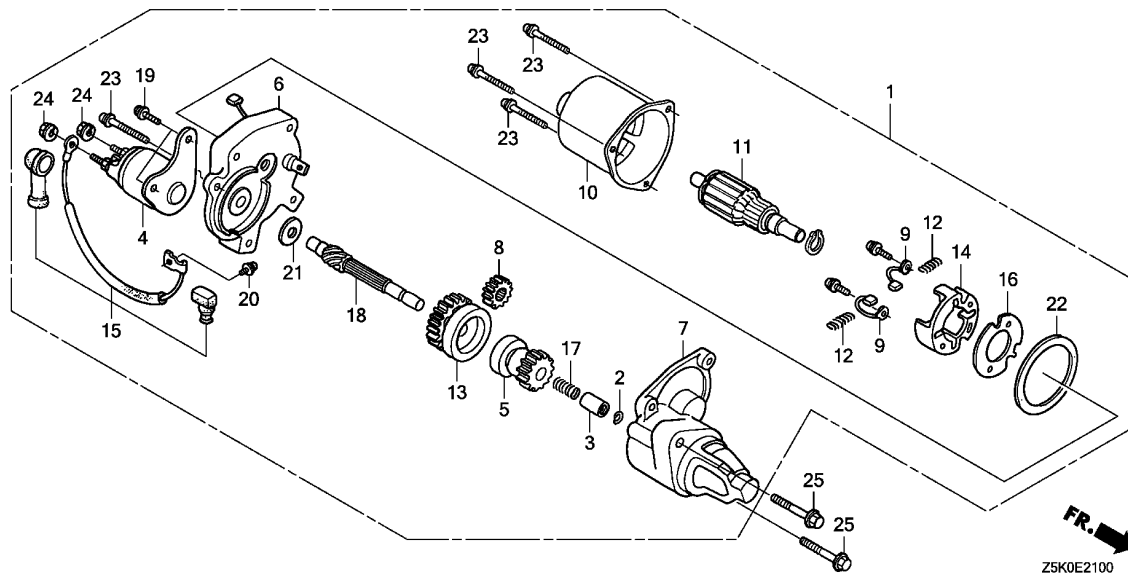


Ref. No.	L.O.N.	(Relative ref. Number) Description	F.R.T.
----------	--------	------------------------------------	--------

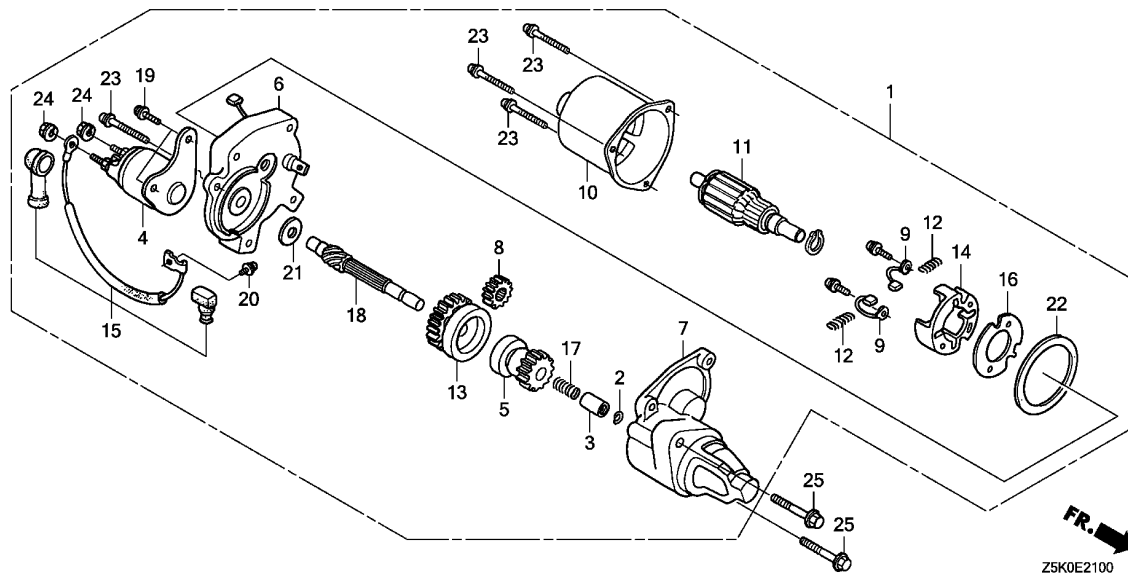
Ref. No.	Part No.	Description	Reqd. QTY				Serial No.	Parts catalogue code
			GX 270 UT	GX 270 UT2	GX 270 RT	GX 270 RT2		
1	31200-ZH9-013	MOTOR ASSY., STARTER	1	-	1	1	-----	HEA2, HEA8, HKS8, PAE2, PXE8, PXED, QAE2, QAE6, QKE4, QME2, QSC9, QXB6, QXE4, RHE2, RHE4, SME1, SXE4, VDE2, VKB2, VKE4, VME4, VMT2, VPE2, VPE4, VPE5, VWT4, VXE6, VXE7, VXE9
	31200-ZH9-003	.....	1	-	-	-	1116255	LXE8, PXE8, QSE8, QXE8, SXE8
	31200-ZH9-013	.....	1	-	-	-	1116256	LXE8, PXE8, QSE8, QXE8, SXE8
		.....	-	1	-	-	-----	HEA2, HKS8, PAE2, PXE8, PXED, QAE2, QKE4, QME2, QSC9, QSE8, QXB6, QXE4, QXE8, QXEM, RHE2, RHE4, RHE5, SME1, SXE4, VME4, VXE6, VXE7, VXE9
2	31201-ZA1-003	RING, SNAP	1	1	1	1	-----	HEA2, HEA8, HKS8, LXE8, PAE2, PXE8, PXED, QAE2, QAE6, QKE4, QME2, QSC9, QSE8, QXB6, QXE4, QXE8, QXEM, RHE2, RHE4, RHE5, SME1, SXE4, SXE8, VDE2, VKB2, VKE4, VME4, VMT2, VPE2, VPE4, VPE5, VWT4, VXE6, VXE7, VXE9
3	31202-ZA1-003	COLLAR, CLUTCH STOP	1	1	1	1	-----	HEA2, HEA8, HKS8, LXE8, PAE2, PXE8, PXED, QAE2, QAE6, QKE4, QME2, QSC9, QSE8, QXB6, QXE4, QXE8, QXEM, RHE2, RHE4, RHE5, SME1, SXE4, SXE8, VDE2, VKB2, VKE4, VME4, VMT2, VPE2, VPE4, VPE5, VWT4, VXE6, VXE7, VXE9
4	31204-ZA0-003	CONTACTOR ASSY.	1	1	1	1	-----	HEA2, HEA8, HKS8, LXE8, PAE2, PXE8, PXED, QAE2, QAE6, QKE4, QME2, QSC9, QSE8, QXB6, QXE4, QXE8, QXEM, RHE2, RHE4, RHE5, SME1, SXE4, SXE8, VDE2, VKB2, VKE4, VME4, VMT2, VPE2, VPE4, VPE5, VWT4, VXE6, VXE7, VXE9
5	31207-ZH9-003	CLUTCH COMP., OVERRUNNING	1	1	1	1	-----	HEA2, HEA8, HKS8, LXE8, PAE2, PXE8, PXED, QAE2, QAE6, QKE4, QME2, QSC9, QSE8, QXB6, QXE4, QXE8, QXEM, RHE2, RHE4, RHE5, SME1, SXE4, SXE8, VDE2, VKB2, VKE4, VME4, VMT2, VPE2, VPE4, VPE5, VWT4, VXE6, VXE7, VXE9
6	31211-ZE2-003	BRACKET, CENTER	1	1	1	1	-----	HEA2, HEA8, HKS8, LXE8, PAE2, PXE8, PXED, QAE2, QAE6, QKE4, QME2, QSC9, QSE8, QXB6, QXE4, QXE8, QXEM, RHE2, RHE4, RHE5, SME1, SXE4, SXE8, VDE2, VKB2, VKE4, VME4, VMT2, VPE2, VPE4, VPE5, VWT4, VXE6, VXE7, VXE9
7	31212-ZE2-003	BRACKET, FR.	1	1	1	1	-----	HEA2, HEA8, HKS8, LXE8, PAE2, PXE8, PXED, QAE2, QAE6, QKE4, QME2, QSC9, QSE8, QXB6, QXE4, QXE8, QXEM, RHE2, RHE4, RHE5, SME1, SXE4, SXE8, VDE2, VKB2, VKE4, VME4, VMT2, VPE2, VPE4, VPE5, VWT4, VXE6, VXE7, VXE9
8	31213-ZE2-003	GEAR, DRIVE PINION	1	1	1	1	-----	HEA2, HEA8, HKS8, LXE8, PAE2, PXE8, PXED, QAE2, QAE6, QKE4, QME2, QSC9, QSE8, QXB6, QXE4, QXE8, QXEM, RHE2, RHE4, RHE5, SME1, SXE4, SXE8, VDE2, VKB2, VKE4, VME4, VMT2, VPE2, VPE4, VPE5, VWT4, VXE6, VXE7, VXE9







Ref. No.	Part No.	Description	Reqd. QTY				Serial No.	Parts catalogue code
			GX 270 UT	GX 270 UT2	GX 270 RT	GX 270 RT2		
9	31215-ZE2-003	BRUSH	2	2	2	2	HEA2,HEA8,HKS8,LXE8,PAE2,PXE8,PXED,QAE2,QAE6,QKE4,QME2,QSC9,QSE8,QXB6,QXE4,QXE8,QXEM,RHE2,RHE4,RHE5,SME1,SXE4,SXE8,VDE2,VKB2,VKE4,VME4,VMT2,VPE2,VPE4,VPE5,VWT4,VXE6,VXE7,VXE9	
10	31216-ZE2-003	YOKE COMP.	1	1	1	1	HEA2,HEA8,HKS8,LXE8,PAE2,PXE8,PXED,QAE2,QAE6,QKE4,QME2,QSC9,QSE8,QXB6,QXE4,QXE8,QXEM,RHE2,RHE4,RHE5,SME1,SXE4,SXE8,VDE2,VKB2,VKE4,VME4,VMT2,VPE2,VPE4,VPE5,VWT4,VXE6,VXE7,VXE9	
11	31217-ZE2-003	ARMATURE COMP.	1	1	1	1	HEA2,HEA8,HKS8,LXE8,PAE2,PXE8,PXED,QAE2,QAE6,QKE4,QME2,QSC9,QSE8,QXB6,QXE4,QXE8,QXEM,RHE2,RHE4,RHE5,SME1,SXE4,SXE8,VDE2,VKB2,VKE4,VME4,VMT2,VPE2,VPE4,VPE5,VWT4,VXE6,VXE7,VXE9	
12	31219-ZE2-003	SPRING, BRUSH RETURN	4	4	4	4	HEA2,HEA8,HKS8,LXE8,PAE2,PXE8,PXED,QAE2,QAE6,QKE4,QME2,QSC9,QSE8,QXB6,QXE4,QXE8,QXEM,RHE2,RHE4,RHE5,SME1,SXE4,SXE8,VDE2,VKB2,VKE4,VME4,VMT2,VPE2,VPE4,VPE5,VWT4,VXE6,VXE7,VXE9	
13	31222-ZE3-791	GEAR, REDUCTION	1	1	1	1	HEA2,HEA8,HKS8,LXE8,PAE2,PXE8,PXED,QAE2,QAE6,QKE4,QME2,QSC9,QSE8,QXB6,QXE4,QXE8,QXEM,RHE2,RHE4,RHE5,SME1,SXE4,SXE8,VDE2,VKB2,VKE4,VME4,VMT2,VPE2,VPE4,VPE5,VWT4,VXE6,VXE7,VXE9	
14	31231-ZE2-003	HOLDER, BRUSH	1	1	1	1	HEA2,HEA8,HKS8,LXE8,PAE2,PXE8,PXED,QAE2,QAE6,QKE4,QME2,QSC9,QSE8,QXB6,QXE4,QXE8,QXEM,RHE2,RHE4,RHE5,SME1,SXE4,SXE8,VDE2,VKB2,VKE4,VME4,VMT2,VPE2,VPE4,VPE5,VWT4,VXE6,VXE7,VXE9	
15	31232-ZE3-003	WIRE, WATER COVER	1	1	1	1	HEA2,HEA8,HKS8,LXE8,PAE2,PXE8,PXED,QAE2,QAE6,QKE4,QME2,QSC9,QSE8,QXB6,QXE4,QXE8,QXEM,RHE2,RHE4,RHE5,SME1,SXE4,SXE8,VDE2,VKB2,VKE4,VME4,VMT2,VPE2,VPE4,VPE5,VWT4,VXE6,VXE7,VXE9	
16	31233-ZE2-003	INSULATOR	1	1	1	1	HEA2,HEA8,HKS8,LXE8,PAE2,PXE8,PXED,QAE2,QAE6,QKE4,QME2,QSC9,QSE8,QXB6,QXE4,QXE8,QXEM,RHE2,RHE4,RHE5,SME1,SXE4,SXE8,VDE2,VKB2,VKE4,VME4,VMT2,VPE2,VPE4,VPE5,VWT4,VXE6,VXE7,VXE9	
17	31244-ZH9-003	SPRING	1	1	1	1	HEA2,HEA8,HKS8,LXE8,PAE2,PXE8,PXED,QAE2,QAE6,QKE4,QME2,QSC9,QSE8,QXB6,QXE4,QXE8,QXEM,RHE2,RHE4,RHE5,SME1,SXE4,SXE8,VDE2,VKB2,VKE4,VME4,VMT2,VPE2,VPE4,VPE5,VWT4,VXE6,VXE7,VXE9	



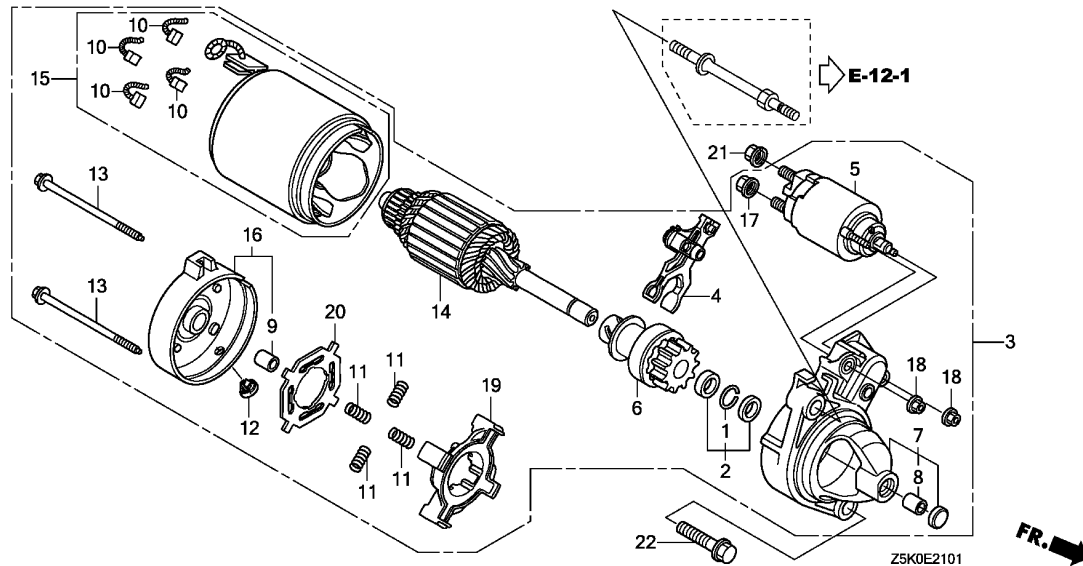
Ref. No.	Part No.	Description	Reqd. QTY				Serial No.	Parts catalogue code
			GX 270 UT	GX 270 UT2	GX 270 RT	GX 270 RT2		
18	31245-ZH9-003	SHAFT	1	1	1	1	HEA2, HEA8, HKS8, LXE8, PAE2, PXE8, PXED, QAE2, QAE6, QKE4, QME2, QSC9 QSE8, QXB6, QXE4, QXE8, QXEM, RHE2, RHE4, RHE5, SME1, SXE4, SXE8, VDE2 VKB2, VKE4, VME4, VMT2, VPE2, VPE4, VPE5, VWT4, VXE6, VXE7, VXE9	
19	90007-ZE2-003	BOLT-WASHER, 5X14	2	2	2	2	HEA2, HEA8, HKS8, LXE8, PAE2, PXE8, PXED, QAE2, QAE6, QKE4, QME2, QSC9 QSE8, QXB6, QXE4, QXE8, QXEM, RHE2, RHE4, RHE5, SME1, SXE4, SXE8, VDE2 VKB2, VKE4, VME4, VMT2, VPE2, VPE4, VPE5, VWT4, VXE6, VXE7, VXE9	
20	90110-ZE2-003	SCREW-WASHER, 4X6	1	1	1	1	HEA2, HEA8, HKS8, LXE8, PAE2, PXE8, PXED, QAE2, QAE6, QKE4, QME2, QSC9 QSE8, QXB6, QXE4, QXE8, QXEM, RHE2, RHE4, RHE5, SME1, SXE4, SXE8, VDE2 VKB2, VKE4, VME4, VMT2, VPE2, VPE4, VPE5, VWT4, VXE6, VXE7, VXE9	
21	90403-ZH9-003	WASHER, SK	1	1	1	1	HEA2, HEA8, HKS8, LXE8, PAE2, PXE8, PXED, QAE2, QAE6, QKE4, QME2, QSC9 QSE8, QXB6, QXE4, QXE8, QXEM, RHE2, RHE4, RHE5, SME1, SXE4, SXE8, VDE2 VKB2, VKE4, VME4, VMT2, VPE2, VPE4, VPE5, VWT4, VXE6, VXE7, VXE9	
22	91601-ZE2-003	PACKING	1	1	1	1	HEA2, HEA8, HKS8, LXE8, PAE2, PXE8, PXED, QAE2, QAE6, QKE4, QME2, QSC9 QSE8, QXB6, QXE4, QXE8, QXEM, RHE2, RHE4, RHE5, SME1, SXE4, SXE8, VDE2 VKB2, VKE4, VME4, VMT2, VPE2, VPE4, VPE5, VWT4, VXE6, VXE7, VXE9	
23	93892-05032-18	SCREW-WASHER, 5X32	4	4	4	4	HEA2, HEA8, HKS8, LXE8, PAE2, PXE8, PXED, QAE2, QAE6, QKE4, QME2, QSC9 QSE8, QXB6, QXE4, QXE8, QXEM, RHE2, RHE4, RHE5, SME1, SXE4, SXE8, VDE2 VKB2, VKE4, VME4, VMT2, VPE2, VPE4, VPE5, VWT4, VXE6, VXE7, VXE9	
24	94070-06080	NUT-WASHER, 6MM	2	2	2	2	HEA2, HEA8, HKS8, LXE8, PAE2, PXE8, PXED, QAE2, QAE6, QKE4, QME2, QSC9 QSE8, QXB6, QXE4, QXE8, QXEM, RHE2, RHE4, RHE5, SME1, SXE4, SXE8, VDE2 VKB2, VKE4, VME4, VMT2, VPE2, VPE4, VPE5, VWT4, VXE6, VXE7, VXE9	
25	95701-08040-00	BOLT, FLANGE, 8X40	2	2	2	2	HEA2, HEA8, HKS8, LXE8, PAE2, PXE8, PXED, QAE2, QAE6, QKE4, QME2, QSC9 QSE8, QXB6, QXE4, QXE8, QXEM, RHE2, RHE4, RHE5, SME1, SXE4, SXE8, VDE2 VKB2, VKE4, VME4, VMT2, VPE2, VPE4, VPE5, VWT4, VXE6, VXE7, VXE9	



# E-21-1

# STARTER MOTOR(2)

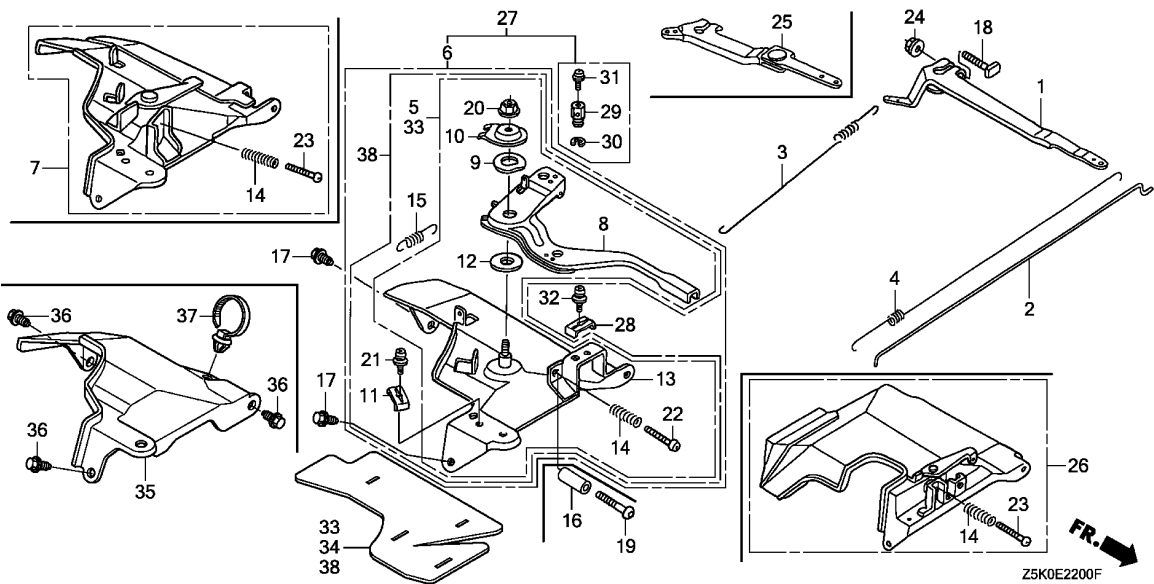
J14



Ref. No.	L.O.N. (Relative ref. Number)	Description	F.R.T.
----------	-------------------------------	-------------	--------

2

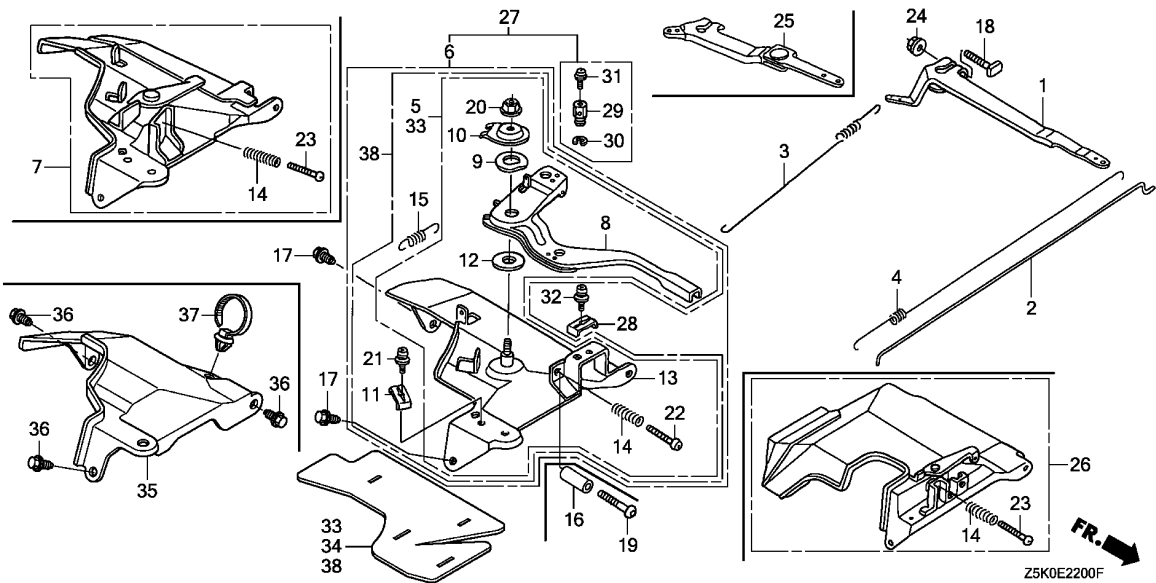
Ref. No.	Part No.	Description	Reqd. QTY				Serial No.	Parts catalogue code
			GX 270	GX 270	GX 270	GX 270		
1	30201-PH9-004	RING, SNAP(DENSO)	-	1	-	-	PZX8,QZA2,QZAV,QZK4,QZM2,QZMH,QZX4,QZXR,VZX7	
2	30202-PZ1-003	COLLAR SET, CLUTCH STOP	-	1	-	-	PZX8,QZA2,QZAV,QZK4,QZM2,QZMH,QZX4,QZXR,VZX7	
3	31200-Z5T-W01	MOTOR ASSY., STARTER	-	1	-	-	PZX8,QZA2,QZAV,QZK4,QZM2,QZMH,QZX4,QZXR,VZX7	
4	31203-PH9-004	LEVER, PINION DRIVE	-	1	-	-	PZX8,QZA2,QZAV,QZK4,QZM2,QZMH,QZX4,QZXR,VZX7	
5	31204-Z2E-003	SWITCH ASSY., MAGNET	-	1	-	-	PZX8,QZA2,QZAV,QZK4,QZM2,QZMH,QZX4,QZXR,VZX7	
6	31207-ZE9-H01	CLUTCH COMP., OVERRUNNING	-	1	-	-	PZX8,QZA2,QZAV,QZK4,QZM2,QZMH,QZX4,QZXR,VZX7	
7	31208-Z5T-W00	HOUSING COMP., DRIVE SIDE	-	1	-	-	PZX8,QZA2,QZAV,QZK4,QZM2,QZMH,QZX4,QZXR,VZX7	
8	31209-PH9-004	BEARING A	-	1	-	-	PZX8,QZA2,QZAV,QZK4,QZM2,QZMH,QZX4,QZXR,VZX7	
9	31210-PH9-004	BEARING B	-	1	-	-	PZX8,QZA2,QZAV,QZK4,QZM2,QZMH,QZX4,QZXR,VZX7	
10	31211-PH9-004	BRUSH	-	4	-	-	PZX8,QZA2,QZAV,QZK4,QZM2,QZMH,QZX4,QZXR,VZX7	
11	31212-PH9-004	SPRING, BRUSH	-	4	-	-	PZX8,QZA2,QZAV,QZK4,QZM2,QZMH,QZX4,QZXR,VZX7	
12	31213-P64-N01	COVER	-	1	-	-	PZX8,QZA2,QZAV,QZK4,QZM2,QZMH,QZX4,QZXR,VZX7	
13	31214-PH9-004	BOLT, THROUGH	-	2	-	-	PZX8,QZA2,QZAV,QZK4,QZM2,QZMH,QZX4,QZXR,VZX7	
14	31217-Z0A-003	ARMATURE COMP.	-	1	-	-	PZX8,QZA2,QZAV,QZK4,QZM2,QZMH,QZX4,QZXR,VZX7	
15	31218-PH9-004	YOKE COMP.	-	1	-	-	PZX8,QZA2,QZAV,QZK4,QZM2,QZMH,QZX4,QZXR,VZX7	
16	31219-Z5T-W00	FRAME COMP., COMMUTATOR END	-	1	-	-	PZX8,QZA2,QZAV,QZK4,QZM2,QZMH,QZX4,QZXR,VZX7	
17	31220-PH9-004	NUT, HEX., 8MM	-	1	-	-	PZX8,QZA2,QZAV,QZK4,QZM2,QZMH,QZX4,QZXR,VZX7	
18	31223-PA0-006	NUT, HEX.	-	2	-	-	PZX8,QZA2,QZAV,QZK4,QZM2,QZMH,QZX4,QZXR,VZX7	
19	31231-PH9-004	HOLDER, BRUSH	-	1	-	-	PZX8,QZA2,QZAV,QZK4,QZM2,QZMH,QZX4,QZXR,VZX7	
20	31233-PH9-004	INSULATOR, BRUSH HOLDER	-	1	-	-	PZX8,QZA2,QZAV,QZK4,QZM2,QZMH,QZX4,QZXR,VZX7	
21	94070-08080	NUT-WASHER, 8MM	-	1	-	-	PZX8,QZA2,QZAV,QZK4,QZM2,QZMH,QZX4,QZXR,VZX7	
22	95701-10040-00	BOLT, FLANGE, 10X40	-	1	-	-	PZX8,QZA2,QZAV,QZK4,QZM2,QZMH,QZX4,QZXR,VZX7	



Ref. No.	L.O.N. (Relative ref. Number)	Description	F.R.T.
----------	-------------------------------	-------------	--------

Ref. No.	Part No.	Description	Reqd. QTY				Serial No.	Parts catalogue code
			GX 270	GX 270	GX 270	GX 270		
1	16551-ZE2-000	ARM, GOVERNOR .....	1	1	1	1	-----	HA2,HEA2,HEA8,HKS8,HX26,HX8,HXQ4,LXE8,LXQ4,LXU,PA2,PAE2,PX26 PXE8,PXED,PXU,QA2,QA26,QA4,QAE2,QAE6,QAG2,QAQ4,QAR2,QAW,QE QH26,QHB4,QHQ4,QKE4,QME2,QSC9,QSE8,QWA4,QWH2,QXB2,QXB6,QXB7 QXB9,QXC2,QXC4,QXC6,QXC9,QXCU,QXE4,QXE8,QXEM,QXQ4,QXU,QXUZ QZK4,RA2,RDG4,RH26,RHE2,RHE4,RHE5,RHG4,RHQ4,RHQ5,RSC2,RXQ4,RXU SAX4,SHQ4,SHQ5,SMC2,SMC4,SME1,SME6,SMX2,SWA2,SWA4,SWC4,SWS4 SXB7,SXB9,SXE4,SXE8,SXQ4,SXU,VA2,VDE2,VKQ4,VMA4,VME4,VMT2,VN17 VNT2,VPE2,VPE4,VPE5,VPX4,VPX5,VPX9,VS37,VS39,VSD7,VSD9,VSH7 VW12,VWN2,VWT4,VX2,VXB7,VXB9,VXE6,VXE7,VXE9,VXQ4,VXU1,WKT,WMT8
2	16555-ZE2-000	ROD, GOVERNOR .....	1	1	1	1	-----	HA2,HEA2,HEA8,HKS8,HX26,HX8,HXQ4,LXE8,LXQ4,LXU,PA2,PAE2,PX26 PXE8,PXED,PXU,QA2,QA26,QA4,QAE2,QAE6,QAG2,QAQ4,QAR2,QAW,QE QH26,QHB4,QHQ4,QKE4,QME2,QSC9,QSE8,QWA4,QWH2,QXB2,QXB6,QXB7 QXB9,QXC2,QXC4,QXC6,QXC9,QXCU,QXE4,QXE8,QXEM,QXQ4,QXU,QXUZ QZK4,RA2,RDG4,RH26,RHE2,RHE4,RHE5,RHG4,RHQ4,RHQ5,RSC2,RXQ4,RXU SAX4,SHQ4,SHQ5,SMC2,SMC4,SME1,SME6,SMX2,SWA2,SWA4,SWC4,SWS4 SXB7,SXB9,SXE4,SXE8,SXQ4,SXU,VA2,VAG2,VDE2,VKB2,VKE4,VKQ4,VKX4 VMA4,VME4,VMT2,VN17,VNT2,VPE2,VPE4,VPE5,VPX4,VPX5,VPX9,VS37 VS39,VSD7,VSD9,VSH7,VW12,VWA2,VWN2,VWT4,VX2,VXB7,VXB9,VXE6 VXE7,VXE9,VXQ4,VXU1,WKT,WMT8
3	16561-ZH9-U30	SPRING, GOVERNOR .....	1	1	1	1	-----	VKB2,VMT2,VXB7,VXB9,VXE7,VXE9

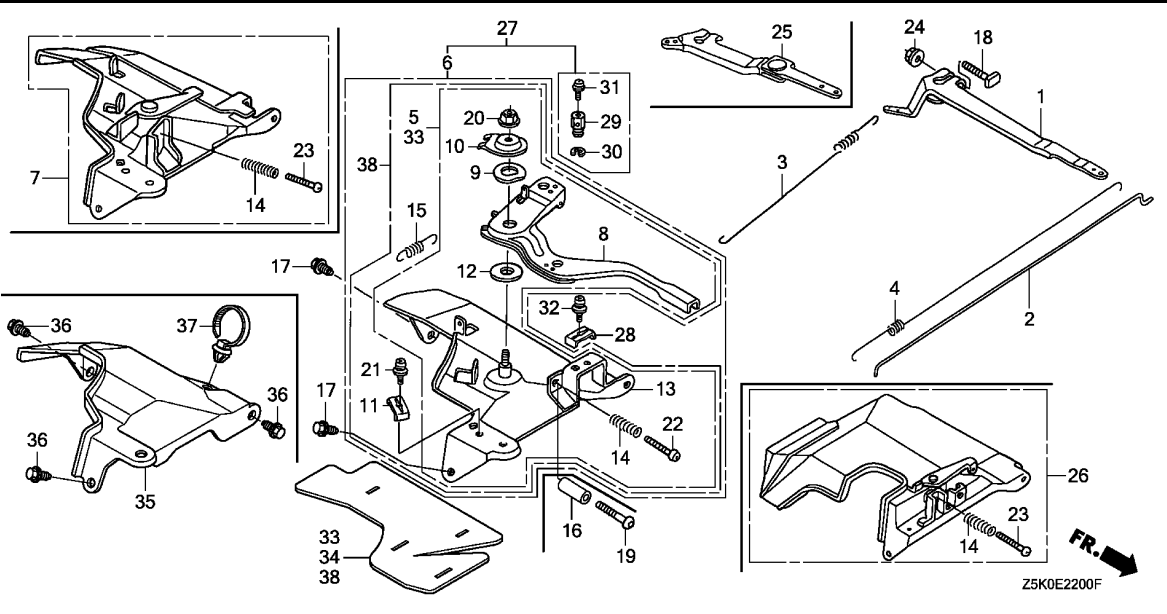




Ref. No.	Part No.	Description	Reqd. QTY				Serial No.	Parts catalogue code
			GX 270 UT	GX 270 UT2	GX 270 RT	GX 270 RT2		
(3)	16561-ZE2-000	SPRING, GOVERNOR(L=145.0MM) (WIRE DIAMETER 1.0MM)	1	1	1	-	HA2,HEA2,HEA8,HKS8,HX26,HX8,HXQ4,LXE8,LXQ4,LXU,PA2,PAE2,PX26 PXE8,PXED,PXU,QA2,QA26,QA4,QAE2,QAE6,QAG2,QAQ4,QAR2,QAW,QE QH26,QHB4,QHQ4,QKE4,QME2,QSC9,QSE8,QWA4,QWH2,QXB2,QXB6,QXB7 QXB9,QXC2,QXC4,QXC6,QXC9,QXCU,QXE4,QXE8,QXEM,QXQ4,QXU,QXUZ QZK4,RA2,RH26,RHE2,RHE4,RHE5,RHG4,RHQ4,RHQ5,RSC2,RXQ4,RXU,SAX4 SHQ4,SHQ5,SMC2,SMC4,SME1,SME6,SMX2,SWA2,SWA4,SWC4,SWS4, SXB7 SXB9,SXE4,SXE8,SXQ4,SXU,VA2,VAG2,VDE2,VKE4,VKQ4,VKX4,VMA4,VME4 VN17,VNT2,VS37,VS39,VSD7,VSD9,VSH7,VW12,VWA2,VWN2,VWT4,VX2 VXE6,VXQ4,VXU1,WKT,WMT8	
	16561-ZE2-800	SPRING, GOVERNOR(L=142.0MM)	(1)	(1)	(1)	-	VN17,VPX4,VS37,VS39,VSD7,VSD9,VX2,VXB7,VXB9,VXQ4,VXU1	
	16561-ZK9-800	SPRING, GOVERNOR	1	-	1	-	VPE2,VPE4,VPE5,VPX4,VPX5,VPX9	
	16561-ZE2-000	SPRING, GOVERNOR(L=145.0MM) (WIRE DIAMETER 1.0MM)	-	-	-	1	RDG4,RHG4,RSC2,VDE2,VN17,VNT2,VWT4	
	16561-ZK6-D70	SPRING, GOVERNOR	-	-	-	1	VKE4,VKX4,VMT2,VPE4,VPE5,VPX4,VPX5,VS37	
	16561-ZE2-800	SPRING, GOVERNOR(L=142.0MM)	-	-	-	(1)	VN17	
4	16562-ZE2-000	SPRING, THROTTLE RETURN	1	1	1	1	HA2,HEA2,HEA8,HKS8,HX26,HX8,HXQ4,LXE8,LXQ4,LXU,PA2,PAE2,PX26 PXE8,PXED,PXU,QA2,QA26,QA4,QAE2,QAE6,QAG2,QAQ4,QAR2,QAW,QE QH26,QHB4,QHQ4,QKE4,QME2,QSC9,QSE8,QWA4,QWH2,QXB2,QXB6,QXB7 QXB9,QXC2,QXC4,QXC6,QXC9,QXCU,QXE4,QXE8,QXEM,QXQ4,QXU,QXUZ QZK4,RA2,RDG4,RH26,RHE2,RHE4,RHE5,RHG4,RHQ4,RHQ5,RSC2,RXQ4,RXU SAX4,SHQ4,SHQ5,SMC2,SMC4,SME1,SME6,SMX2,SWA2,SWA4,SWC4,SWS4 SXB7,SXB9,SXE4,SXE8,SXQ4,SXU,VA2,VDE2,VKE4,VKQ4,VKX4,VMA4,VME4 VMT2,VN17,VNT2,VPE2,VPE4,VPE5,VPX4,VPX5,VPX9,VS37,VS39,VSD7 VSD9,VSH7,VW12,VWN2,VWT4,VX2,VXB7,VXB9,VXE6,VXE7,VXE9,VXQ4 VXU1,WKT,WMT8	
	16562-ZE2-700	.....	1	-	1	1	VAG2,VKB2,VWA2	
5	16570-ZE2-W40	CONTROL ASSY.	1	-	1	-	VN17	

Ref. No.	Part No.	Description	Reqd. QTY				Serial No.	Parts catalogue code
			GX 270 UT	GX 270 UT2	GX 270 RT	GX 270 RT2		
(5)	16570-ZE2-W00	CONTROL ASSY. ....	1	-	-	-	HA2,HEA2,HEA8,HKS8,HX26,HX8,HXQ4,PA2,PX26,PXU,SMC2,SMC4,VX2 VXB7,VXB9,VXE6,VXE7,VXE9,VXQ4	
	16500-Z5K-305	CONTROL ASSY. (COO) (FOR U.S.A.)	-	1	-	-	HA2,HEA2,HKS8,HX26,HX8,HXQ4,PA2,PX26,PXU,SMC4,VX2,VXE6,VXQ4 WKT	
	16500-Z5K-000	CONTROL ASSY. ....	-	1	-	-	HA2,HEA2,HKS8,HX26,HX8,HXQ4,PA2,PX26,PXU,SMC4,VX2,VXE6,VXQ4 WMT8	
6	16570-ZE2-W20	CONTROL ASSY. (REMOTE) .....	1	-	1	-	LXE8,LXQ4,LXU,PAE2,PXE8,PXED,QA2,QA26,QA4,QAE2,QAE6,QAG2,QAQ4 QAR2,QAW,QE,QH26,QHQ4,QME2,QSC9,QSE8,QWA4,QWH2,QXB2,QXB6,QXB7 QXB9,QXC2,QXC4,QXC6,QXC9,QXCU,QXE4,QXE8,QXQ4,QXU,QXUZ,RA2,RH26 RHE2,RHE4,RHG4,RHQ4,RSC2,RXQ4,RXU,SHQ4,SME1,SWA2,SWA4,SWC4 SXB7,SXB9,SXE4,SXE8,SXQ4,SXU,VA2,VDE2,VWN2	
	16500-Z5K-810	.....	-	1	-	1	LXQ4,LXU,PAE2,PXE8,PXED,QA2,QA26,QA4,QAE2,QAG2,QAQ4,QAR2,QAW QE,QH26,QHQ4,QME2,QSC9,QSE8,QWA4,QWH2,QXB6,QXB7,QXC4,QXC6,QXC9 QXCU,QXE4,QXE8,QXEM,QXQ4,QXU,QXUZ,RA2,RDG4,RH26,RHE4,RHE5,RHG4 RHQ4,RHQ5,RSC2,RXQ4,RXU,SHQ4,SHQ5,SME1,SWA4,SWC4,SXE4,SXQ4,SXU VA2,VDE2	
	16500-Z5K-307	CONTROL ASSY. (REMOTE) (COO) (FOR U.S.A.)	-	1	-	1	LXQ4,LXU,PAE2,PXED,QA2,QA26,QA4,QAE2,QAG2,QAQ4,QAR2,QAW,QE QH26,QHQ4,QME2,QSC9,QSE8,QWA4,QWH2,QXB6,QXB7,QXC4,QXC6,QXC9 QXCU,QXE4,QXE8,QXQ4,QXU,QXUZ,RA2,RDG4,RH26,RHE4,RHE5,RHG4,RHQ4 RHQ5,RSC2,RXQ4,RXU,SHQ4,SME1,SWA4,SWC4,SXE4,SXQ4,SXU,VA2,VDE2	
7	16570-ZE2-722	CONTROL ASSY. ....	1	-	1	-	VAG2,VKB2,VNT2,VSD7,VSD9,VSH7,VW12,VWA2,VWT4	
	16570-ZE2-721	.....	1	-	-	-	VXU1	
	16570-ZE2-722	.....	1	-	-	-	1019435 VXU1	
	16500-Z5K-407	CONTROL ASSY. (COO) (FOR U.S.A.)	-	1	-	1	VKB2,VNT2,VSD7,VWT4,VXU1	
	16500-Z5K-871	CONTROL ASSY. ....	-	1	-	1	VKB2,VNT2,VSD7,VWT4,VXU1	
8	16571-ZE2-W00	LEVER, CONTROL .....	1	1	1	1	HA2,HEA2,HEA8,HKS8,HX26,HX8,HXQ4,LXE8,LXQ4,LXU,PA2,PAE2,PX26 PX8,PXED,PXU,QA2,QA26,QA4,QAE2,QAE6,QAG2,QAQ4,QAR2,QAW,QE QH26,QHB4,QHQ4,QKE4,QME2,QSC9,QSE8,QWA4,QWH2,QXB2,QXB6,QXB7 QXB9,QXC2,QXC4,QXC6,QXC9,QXCU,QXE4,QXE8,QXEM,QXQ4,QXU,QXUZ,RA2 RDG4,RH26,RHE2,RHE4,RHE5,RHG4,RHQ4,RHQ5,RSC2,RXQ4,RXU,SAX4 SHQ4,SHQ5,SMC2,SMC4,SME1,SME6,SMX2,SWA2,SWA4,SWC4,SWS4,SXB7 SXB9,SXE4,SXE8,SXQ4,SXU,VA2,VDE2,VKQ4,VMA4,VME4,VWN2,VX2,VXB7 VXB9,VXE6,VXE7,VXE9,VXQ4,WKT,WMT8	
	16571-ZE2-W10	.....	1	-	1	1	VN17	
9	16574-ZE1-000	SPRING, LEVER .....	1	1	1	1	HA2,HEA2,HEA8,HKS8,HX26,HX8,HXQ4,LXE8,LXQ4,LXU,PA2,PAE2,PX26 PX8,PXED,PXU,QA2,QA26,QA4,QAE2,QAE6,QAG2,QAQ4,QAR2,QAW,QE QH26,QHB4,QHQ4,QKE4,QME2,QSC9,QSE8,QWA4,QWH2,QXB2,QXB6,QXB7 QXB9,QXC2,QXC4,QXC6,QXC9,QXCU,QXE4,QXE8,QXEM,QXQ4,QXU,QXUZ,RA2 RDG4,RH26,RHE2,RHE4,RHE5,RHG4,RHQ4,RHQ5,RSC2,RXQ4,RXU,SAX4 SHQ4,SHQ5,SMC2,SMC4,SME1,SME6,SMX2,SWA2,SWA4,SWC4,SWS4,SXB7 SXB9,SXE4,SXE8,SXQ4,SXU,VA2,VDE2,VKQ4,VMA4,VME4,VN17,VWN2,VX2 VXB7,VXB9,VXE6,VXE7,VXE9,VXQ4,WKT,WMT8	
10	16575-ZE2-W00	WASHER, CONTROL LEVER .....	1	1	1	1	HA2,HEA2,HEA8,HKS8,HX26,HX8,HXQ4,LXE8,LXQ4,LXU,PA2,PAE2,PX26 PX8,PXED,PXU,QA2,QA26,QA4,QAE2,QAE6,QAG2,QAQ4,QAR2,QAW,QE QH26,QHB4,QHQ4,QKE4,QME2,QSC9,QSE8,QWA4,QWH2,QXB2,QXB6,QXB7 QXB9,QXC2,QXC4,QXC6,QXC9,QXCU,QXE4,QXE8,QXEM,QXQ4,QXU,QXUZ,RA2 RDG4,RH26,RHE2,RHE4,RHE5,RHG4,RHQ4,RHQ5,RSC2,RXQ4,RXU,SAX4 SHQ4,SHQ5,SMC2,SMC4,SME1,SME6,SMX2,SWA2,SWA4,SWC4,SWS4,SXB7 SXB9,SXE4,SXE8,SXQ4,SXU,VA2,VDE2,VKQ4,VMA4,VME4,VN17,VWN2,VX2 VXB7,VXB9,VXE6,VXE7,VXE9,VXQ4,WKT,WMT8	



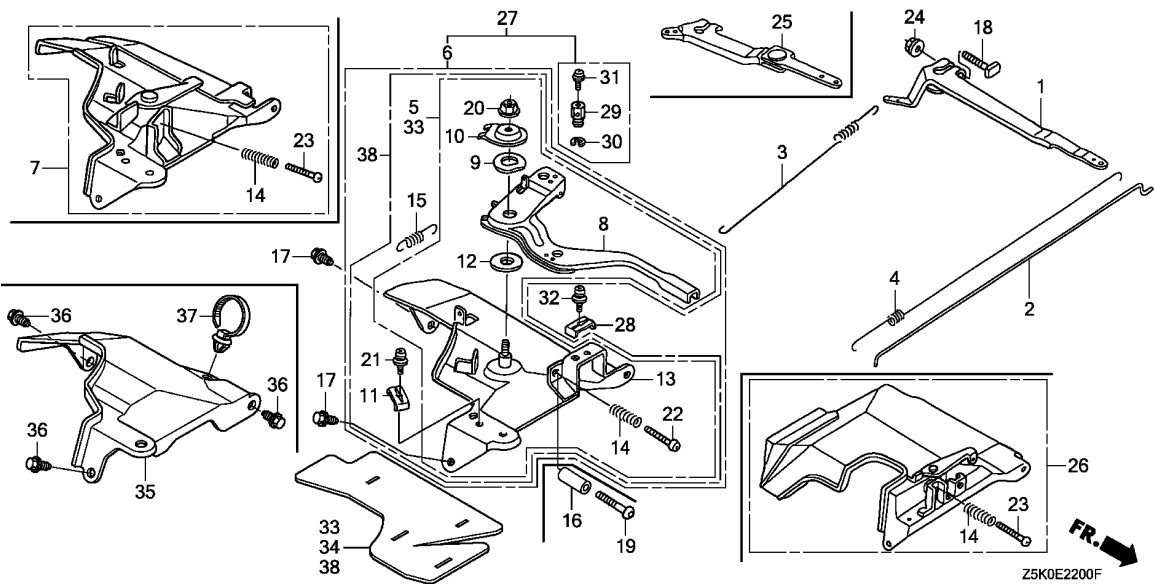


Ref. No.	Part No.	Description	Reqd. QTY				Serial No.	Parts catalogue code
			GX 270	GX 270	GX 270	GX 270		
11	16576-891-000	HOLDER, CABLE .....	1	1	1	1	-----	LXE8, LXQ4, LXU, PAE2, PXE8, PXED, QA2, QA26, QA4, QAE2, QAE6, QAG2, QAQ4, QAR2, QAW, QE, QH26, QHQ4, QKE4, QME2, QSC9, QSE8, QWA4, QWH2, QXB2, QXB6, QXB7, QXB9, QXC2, QXC4, QXC6, QXC9, QXCU, QXE4, QXE8, QXEM, QXQ4, QXU, QXUZ, RA2, RDG4, RH26, RHE2, RHE4, RHE5, RHG4, RHQ4, RHQ5, RSC2, RXQ4, RXU, SAX4, SHQ4, SHQ5, SME1, SME6, SWA2, SWA4, SWC4, SXB7, SXB9, SXE4, SXE8, SXQ4, SXU, VA2, VDE2, VKQ4, VMA4, VME4, VWN2
12	16578-ZE1-000	SPACER, CONTROL LEVER .....	1	1	1	1	-----	HA2, HEA2, HEA8, HKS8, HX26, HX8, HXQ4, LXE8, LXQ4, LXU, PA2, PAE2, PX26, PXE8, PXED, PXU, QA2, QA26, QA4, QAE2, QAE6, QAG2, QAQ4, QAR2, QAW, QE, QH26, QHB4, QHQ4, QKE4, QME2, QSC9, QSE8, QWA4, QWH2, QXB2, QXB6, QXB7, QXB9, QXC2, QXC4, QXC6, QXC9, QXCU, QXE4, QXE8, QXEM, QXQ4, QXU, QXUZ, RA2, RDG4, RH26, RHE2, RHE4, RHE5, RHG4, RHQ4, RHQ5, RSC2, RXQ4, RXU, SAX4, SHQ4, SHQ5, SMC2, SMC4, SME1, SME6, SMX2, SWA2, SWA4, SWC4, SWS4, SXB7, SXB9, SXE4, SXE8, SXQ4, SXU, VA2, VDE2, VKQ4, VMA4, VME4, VN17, VWN2, VX2, VXB7, VXB9, VXE6, VXE7, VXE9, VXQ4, WKT, WMT8
13	16581-ZE2-W00	BASE COMP., CONTROL(###) ....	1	-	1	-	-----	HA2, HEA2, HEA8, HKS8, HX26, HX8, HXQ4, LXE8, LXQ4, LXU, PA2, PAE2, PX26, PXE8, PXED, PXU, QA2, QA26, QA4, QAE2, QAE6, QAG2, QAQ4, QAR2, QAW, QE, QH26, QHB4, QHQ4, QKE4, QME2, QSC9, QSE8, QWA4, QWH2, QXB2, QXB6, QXB7, QXB9, QXC2, QXC4, QXC6, QXC9, QXCU, QXE4, QXE8, QXQ4, QXU, QXUZ, RA2, RH26, RHE2, RHE4, RHG4, RHQ4, RSC2, RXQ4, RXU, SHQ4, SMC2, SMC4, SME1, SME6, SWA2, SWA4, SWC4, SWS4, SXB7, SXB9, SXE4, SXE8, SXQ4, SXU, VA2, VDE2, VKQ4, VMA4, VME4, VN17, VWN2, VX2, VXB7, VXB9, VXE6, VXE7, VXE9, VXQ4
	16580-Z5K-000	BASE COMP., CONTROL .....	-	1	-	1	-----	HA2, HEA2, HKS8, HX26, HX8, HXQ4, LXQ4, LXU, PA2, PAE2, PX26, PXE8, PXED, PXU, QA2, QA26, QA4, QAE2, QAG2, QAQ4, QAR2, QAW, QE, QH26, QHB4, QHQ4, QKE4, QME2, QSC9, QSE8, QWA4, QWH2, QXB6, QXB7, QXC4, QXC6, QXC9, QXCU, QXE4, QXE8, QXEM, QXQ4, QXU, QXUZ, RA2, RDG4, RH26, RHE4, RHE5, RHG4, RHQ4, RHQ5, RSC2, RXQ4, RXU, SAX4, SHQ4, SHQ5, SMC4, SME1, SME6, SMX2, SWA4, SWC4, SWS4, SXE4, SXQ4, SXU, VA2, VDE2, VKQ4, VMA4, VME4, VX2, VXE6, VXQ4, WKT, WMT8
	16580-Z5K-800	.....	-	1	-	1	-----	QXB9, SXB7, SXB9, VN17, VXB7, VXE7, VXE9

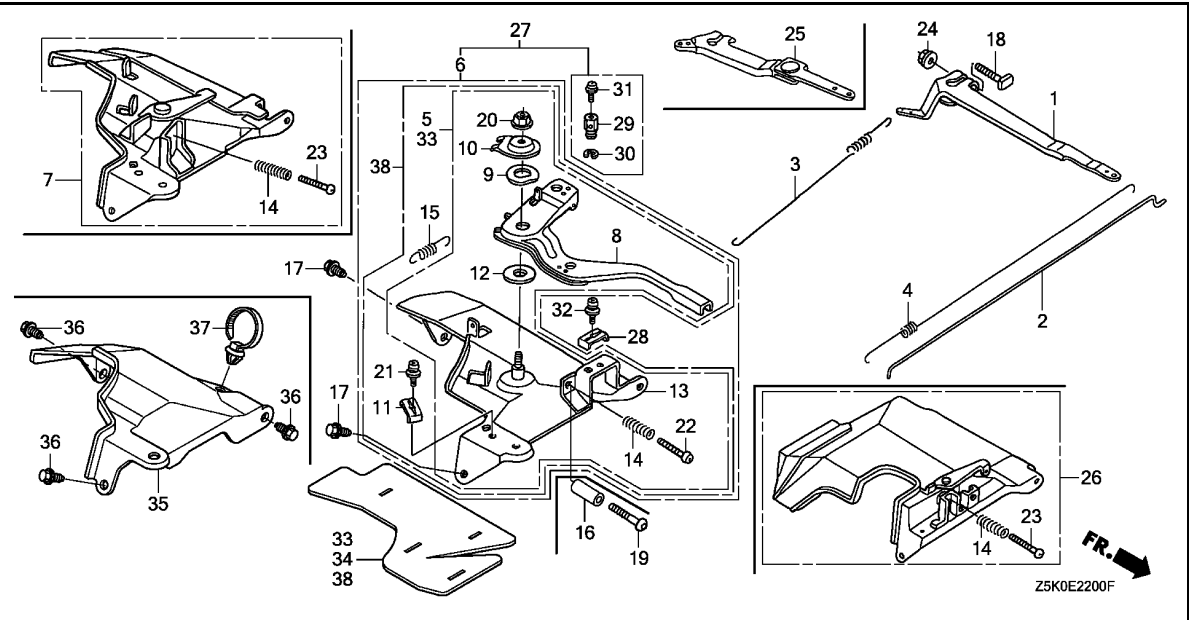
Ref. No.	Part No.	Description	Reqd. QTY				Serial No.	Parts catalogue code
			GX 270 UT	GX 270 UT2	GX 270 RT	GX 270 RT2		
14	16584-883-300	SPRING, CONTROL ADJUSTING ...	1	1	1	1	HA2,HEA2,HEA8,HKS8,HX26,HX8,HXQ4,LXE8,LXQ4,LXU,PA2,PAE2,PX26 PX8,PXE8,PXU,QA2,QA26,QA4,QA2,QA6,QAG2,QAQ4,QAR2,QAW,QE QH26,QHB4,QHQ4,QKE4,QME2,QSC9,QSE8,QWA4,QWH2,QXB2,QXB6,QXB7 QXB9,QXC2,QXC4,QXC6,QXC9,QXCU,QXE4,QXE8,QXEM,QXQ4,QXU,QXUZ,RA2 RDG4,RH26,RHE2,RHE4,RHE5,RHG4,RHQ4,RHQ5,RSC2,RXQ4,RXU,SAX4 SHQ4,SHQ5,SMC2,SMC4,SME1,SME6,SMX2,SWA2,SWA4,SWC4,SWS4,SBX7 SBX9,SXE4,SXE8, SXQ4, SXU, VA2, VAG2, VDE2, VKB2, VKE4, VKQ4, VKX4, VMA4 VME4, VMT2, VN17, VNT2, VPE2, VPE4, VPE5, VPX4, VPX5, VPX9, VS37, VS39 VSD7, VSD9, VSH7, VW12, VWA2, VWN2, VWT4, VX2, VXB7, VXB9, VXE6, VXE7 VXE9, VXQ4, VXU1, WKT, WMT8	
15	16592-883-310	SPRING, CABLE RETURN .....	1	1	1	1	LXE8,LXQ4,LXU,PAE2,PXE8,PXED,QA2,QA26,QA4,QA2,QA6,QAG2,QAQ4 QAR2,QAW,QE,QH26,QHB4,QHQ4,QKE4,QME2,QSC9,QSE8,QWA4,QWH2,QXB2 QXB6,QXB7,QXB9,QXC2,QXC4,QXC6,QXC9,QXCU,QXE4,QXE8,QXEM,QXQ4 QXU,QXUZ,RA2,RDG4,RH26,RHE2,RHE4,RHE5,RHG4,RHQ4,RHQ5,RSC2,RXQ4 RXU,SAX4,SHQ4,SHQ5,SME1,SME6,SMX2,SWA2,SWA4,SWC4,SWS4,SBX7 SBX9,SXE4,SXE8, SXQ4, SXU, VA2, VDE2, VKQ4, VMA4, VME4, VWN2	
16	16599-ZG1-M10	COLLAR, STOPPER .....	(1)	(1)	(1)	(1)	HXQ4,LXQ4,QAQ4,QE,QHB4,QHQ4,QKE4,QME2,QWA4,QXB2,QXB7,QXB9,QXC2 QXC4,QXE4,QXQ4,QZK4,RDG4,RHE2,RHE4,RHE5,RHG4,RHQ4,RHQ5,RXQ4 SAX4,SHQ4,SHQ5,SMC2,SMC4,SME1,SME6,SWA2,SWA4,SWC4,SWS4,SBX7 SBX9,SXE4, SXQ4, VKQ4, VMA4, VME4, VMT2, VN17, VPE2, VPE4, VPE5, VPX4 VPX5, VPX9, VS37, VS39, VSD7, VSD9, VSH7, VWT4, VXB7, VXB9, VXE7, VXE9 VXQ4	
17	90013-883-000	BOLT, FLANGE, 6X12(CT200) ...	2	2	2	2	HA2,HEA2,HEA8,HKS8,HX26,HX8,HXQ4,LXE8,LXQ4,LXU,PA2,PAE2,PX26 PX8,PXE8,PXU,QA2,QA26,QA4,QA2,QA6,QAG2,QAQ4,QAR2,QAW,QE,QH26,QHB4,QHQ4 QKE4,QME2,QSC9,QSE8,QWA4,QWH2,QXB6,QXB7,QXB9,QXC4,QXC6,QXC9 QXCU,QXE4,QXE8,QXEM,QXQ4,QXU,QXUZ,QZK4,RA2,RDG4,RH26,RHE4,RHE5 RHG4,RHQ4,RHQ5,RSC2,RXQ4,RXU,SAX4,SHQ4,SHQ5,SMC4,SME1,SME6 SMX2,SWA4,SWC4,SWS4,SBX7,SBX9,SXE4, SXQ4, SXU, VA2, VAG2, VDE2, VKB2, VKE4, VKQ4, VKX4 VMA4, VME4, VMT2, VN17, VNT2, VPE2, VPE4, VPE5, VPX4, VPX5, VPX9, VS37 VS39, VSD7, VSD9, VSH7, VW12, VWA2, VWN2, VWT4, VX2, VXB7, VXB9, VXE6 VXE7, VXE9, VXQ4, VXU1, WKT, WMT8	
18	90015-ZE5-010 90015-Z5T-000	BOLT, GOVERNOR ARM .....	1	-	1	-	HA2,HEA2,HKS8,HX26,HX8,HXQ4,LXQ4,LXU,PA2,PAE2,PX26,PXE8,PXED PXU,QA2,QA26,QA4,QA2,QA6,QAG2,QAQ4,QAR2,QAW,QE,QH26,QHB4,QHQ4 QKE4,QME2,QSC9,QSE8,QWA4,QWH2,QXB6,QXB7,QXB9,QXC4,QXC6,QXC9 QXCU,QXE4,QXE8,QXEM,QXQ4,QXU,QXUZ,QZK4,RA2,RDG4,RH26,RHE4,RHE5 RHG4,RHQ4,RHQ5,RSC2,RXQ4,RXU,SAX4,SHQ4,SHQ5,SMC4,SME1,SME6 SMX2,SWA4,SWC4,SWS4,SBX7,SBX9,SXE4, SXQ4, SXU, VA2, VDE2, VKB2, VKE4 VKQ4, VKX4, VMA4, VME4, VMT2, VN17, VNT2, VPE4, VPE5, VPX4, VPX5, VS37 VSD7, VWT4, VX2, VXB7, VXE6, VXE7, VXE9, VXQ4, VXU1, WKT, WMT8	
19	90016-ZG9-N30	SCREW, RECESSED, 5X25 .....	(1)	(1)	(1)	(1)	HXQ4,LXQ4,QAQ4,QE,QHB4,QHQ4,QKE4,QME2,QWA4,QXB2,QXB7,QXB9,QXC2 QXC4,QXE4,QXQ4,QZK4,RDG4,RHE2,RHE4,RHE5,RHG4,RHQ4,RHQ5,RXQ4 SAX4,SHQ4,SHQ5,SMC2,SMC4,SME1,SME6,SWA2,SWA4,SWC4,SWS4,SBX7 SBX9,SXE4, SXQ4, VKQ4, VMA4, VME4, VMT2, VN17, VPE2, VPE4, VPE5, VPX4 VPX5, VPX9, VS37, VS39, VSD7, VSD9, VSH7, VWT4, VXB7, VXB9, VXE7, VXE9 VXQ4	
20	90114-SAO-000	NUT, SELF-LOCK, 6MM .....	1	1	1	1	HA2,HEA2,HEA8,HKS8,HX26,HX8,HXQ4,LXE8,LXQ4,LXU,PA2,PAE2,PX26 PX8,PXE8,PXU,QA2,QA26,QA4,QA2,QA6,QAG2,QAQ4,QAR2,QAW,QE,QH26,QHB4,QHQ4 QKE4,QME2,QSC9,QSE8,QWA4,QWH2,QXB2,QXB6,QXB7 QXB9,QXC2,QXC4,QXC6,QXC9,QXCU,QXE4,QXE8,QXEM,QXQ4,QXU,QXUZ,RA2 RDG4,RH26,RHE2,RHE4,RHE5,RHG4,RHQ4,RHQ5,RSC2,RXQ4,RXU,SAX4 SHQ4,SHQ5,SMC2,SMC4,SME1,SME6,SMX2,SWA2,SWA4,SWC4,SWS4,SBX7 SBX9,SXE4,SXE8, SXQ4, SXU, VA2, VDE2, VKQ4, VMA4, VME4, VN17, VWN2, VX2 VXB7, VXB9, VXE6, VXE7, VXE9, VXQ4, WKT, WMT8	





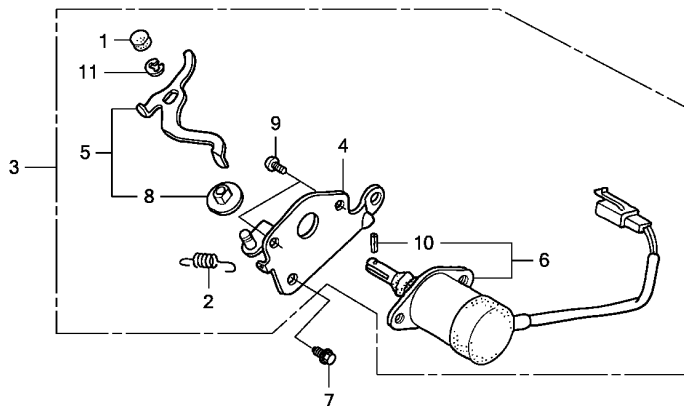


Ref. No.	Part No.	Description	Reqd. QTY				Serial No.	Parts catalogue code
			GX 270 UT	GX 270 UT2	GX 270 RT	GX 270 RT2		
21	93500-05016-0A	SCREW, PAN, 5X16	1	1	1	1	LXE8, LXQ4, LXU, PAE2, PXE8, PXED, QA2, QA26, QA4, QAE2, QAE6, QAG2, QAQ4, QAR2, QAW, QE, QH26, QHQ4, QKE4, QME2, QSC9, QSE8, QWA4, QWH2, QXB2, QXB6, QXB7, QXB9, QXC2, QXC4, QXC6, QXC9, QXCU, QXE4, QXE8, QXEM, QXQ4, QXU, QXUZ, RA2, RDG4, RH26, RHE2, RHE4, RHE5, RHG4, RHQ4, RHQ5, RSC2, RXQ4, RXU, SAX4, SHQ4, SHQ5, SME1, SME6, SWA2, SWA4, SWC4, SXB7, SXB9, SXE4, SXE8, SXQ4, SXU, VA2, VDE2, VKQ4, VMA4, VME4, VWN2	
22	93500-05028-0A	SCREW, PAN, 5X28	1	1	1	1	HA2, HEA2, HEA8, HKS8, HX26, HX8, HXQ4, LXE8, LXQ4, LXU, PA2, PAE2, PX26, PXE8, PXED, PXU, QA2, QA26, QA4, QAE2, QAE6, QAG2, QAQ4, QAR2, QAW, QE, QH26, QHB4, QHQ4, QKE4, QME2, QSC9, QSE8, QWA4, QWH2, QXB2, QXB6, QXB7, QXB9, QXC2, QXC4, QXC6, QXC9, QXCU, QXE4, QXE8, QXEM, QXQ4, QXU, QXUZ, RA2, RDG4, RH26, RHE2, RHE4, RHE5, RHG4, RHQ4, RHQ5, RSC2, RXQ4, RXU, SAX4, SHQ4, SHQ5, SMC2, SMC4, SME1, SME6, SMX2, SWA2, SWA4, SWC4, SWS4, SXB7, SXB9, SXE4, SXE8, SXQ4, SXU, VA2, VDE2, VKQ4, VMA4, VME4, VN17, VWN2, VX2, VXB7, VXB9, VXE6, VXE7, VXE9, VXQ4, WKT, WMT8	
23	93500-05035-0A	SCREW, PAN, 5X35	1	1	1	1	VAG2, VKB2, VKE4, VKX4, VMT2, VNT2, VPE2, VPE4, VPE5, VPX4, VPX5, VPX9, VS37, VS39, VSD7, VSD9, VSH7, VW12, VWA2, VWT4, VXU1	
24	94050-06000	NUT, FLANGE, 6MM	1	1	1	1	HA2, HEA2, HEA8, HKS8, HX26, HX8, HXQ4, LXE8, LXQ4, LXU, PA2, PAE2, PX26, PXE8, PXED, PXU, QA2, QA26, QA4, QAE2, QAE6, QAG2, QAQ4, QAR2, QAW, QE, QH26, QHB4, QHQ4, QKE4, QME2, QSC9, QSE8, QWA4, QWH2, QXB2, QXB6, QXB7, QXB9, QXC2, QXC4, QXC6, QXC9, QXCU, QXE4, QXE8, QXEM, QXQ4, QXU, QXUZ, QZK4, RA2, RDG4, RH26, RHE2, RHE4, RHE5, RHG4, RHQ4, RHQ5, RSC2, RXQ4, RXU, SAX4, SHQ4, SHQ5, SMC2, SMC4, SME1, SME6, SMX2, SWA2, SWA4, SWC4, SWS4, SXB7, SXB9, SXE4, SXE8, SXQ4, SXU, VA2, VAG2, VDE2, VKB2, VKE4, VKQ4, VKX4, VMA4, VME4, VMT2, VN17, VNT2, VPE2, VPE4, VPE5, VPX4, VPX5, VPX9, VS37, VS39, VSD7, VSD9, VSH7, VW12, VWA2, VWN2, VWT4, VX2, VXB7, VXB9, VXE6, VXE7, VXE9, VXQ4, VXU1, WKT, WMT8	
25	16550-ZE2-700	ARM COMP., GOVERNOR	1	-	1	1	VAG2, VKB2, VKE4, VKX4, VWA2	
26	16570-ZE2-701	CONTROL ASSY.	1	-	1	-	VKE4, VKX4, VPE2, VPE4, VPE5, VPX4, VPX5, VPX9, VS37, VS39	



Ref. No.	Part No.	Description	Reqd. QTY				Serial No.	Parts catalogue code
			GX 270 UT	GX 270 UT2	GX 270 RT	GX 270 RT2		
26)	16500-25K-408	CONTROL ASSY. (COO) (FOR U.S.A.)	-	-	-	1	VKE4, VKX4, VMT2, VPE4, VPE5, VPX4, VPX5, VS37	
	16500-25K-880	CONTROL ASSY. ....	-	-	-	1	VKE4, VKX4, VMT2, VPE4, VPE5, VPX4, VPX5, VS37	
27	16570-ZE2-W50	CONTROL ASSY. (REMOTE) .....	1	-	-	-	QHB4, SWS4	
	16570-ZE2-W10	.....	1	-	-	-	QKE4, SME6, VKQ4, VMA4, VME4	
	16500-25K-830	.....	-	1	-	-	QHB4, SMX2, SWS4	
	16500-25K-308	CONTROL ASSY. (REMOTE) (COO) (FOR U.S.A.)	-	1	-	-	QHB4, SWS4	
	16500-25K-800	CONTROL ASSY. (REMOTE) .....	-	1	-	-	QKE4, SAX4, SME6, VKQ4, VMA4, VME4	
	16500-25K-306	CONTROL ASSY. (REMOTE) (COO) (FOR U.S.A.)	-	1	-	-	QKE4, SME6, VKQ4, VMA4, VME4	
28	16576-891-000	HOLDER, CABLE .....	1	1	-	-	QHB4, SMX2, SWS4	
29	16594-883-010	HOLDER, WIRE .....	1	1	-	-	QHB4, QKE4, SAX4, SME6, SMX2, SWS4, VKQ4, VMA4, VME4	
30	90605-230-000	CIRCLIP, 5MM .....	1	1	-	-	QHB4, QKE4, SAX4, SME6, SMX2, SWS4, VKQ4, VMA4, VME4	
31	93500-04006-0H	SCREW, PAN, 4X6 .....	1	1	-	-	QHB4, QKE4, SAX4, SME6, SMX2, SWS4, VKQ4, VMA4, VME4	
32	93500-05016-0A	SCREW, PAN, 5X16 .....	1	1	-	-	QHB4, SMX2, SWS4	
33	16500-25K-309	CONTROL ASSY. (COO) (FOR U.S.A.)	-	1	-	-	VXB7, VXE7, VXE9	
	16500-25K-840	CONTROL ASSY. ....	-	1	-	-	VXB7, VXE7, VXE9	
	16500-25K-406	CONTROL ASSY. (COO) (FOR U.S.A.)	-	-	-	1	VN17	
	16500-25K-860	CONTROL ASSY. ....	-	-	-	1	VN17	
34	16588-25K-000	INSURATOR, CONTROL BASE .....	-	1	-	1	QXB9, SXB7, SXB9, VN17, VXB7, VXE7, VXE9	
35	19630-25K-W00	SHROUD COMP., UPPER .....	-	1	-	-	PZX8, QZA2, QZAV, QZK4, QZM2, QZMH, QZX4, QZXR, VZX7	
36	90013-883-000	BOLT, FLANGE, 6X12(CT200) ...	-	3	-	-	PZX8, QZA2, QZAV, QZK4, QZM2, QZMH, QZX4, QZXR, VZX7	
37	91541-S0A-003	CLIP, HARNESS BAND (BLACK) (145MM)	-	1	-	-	PZX8, QZA2, QZAV, QZK4, QZM2, QZMH, QZX4, QZXR, VZX7	
38	16500-25K-405	CONTROL ASSY. (REMOTE) (COO) (FOR U.S.A.)	-	1	-	-	QXB9, SXB7, SXB9	
	16500-25K-850	CONTROL ASSY. (REMOTE) .....	-	1	-	-	QXB9, SXB7, SXB9	





FR. Z5K0E2210

Ref. No.	L.O.N. (Relative ref. Number)	Description	F.R.T.
----------	-------------------------------	-------------	--------

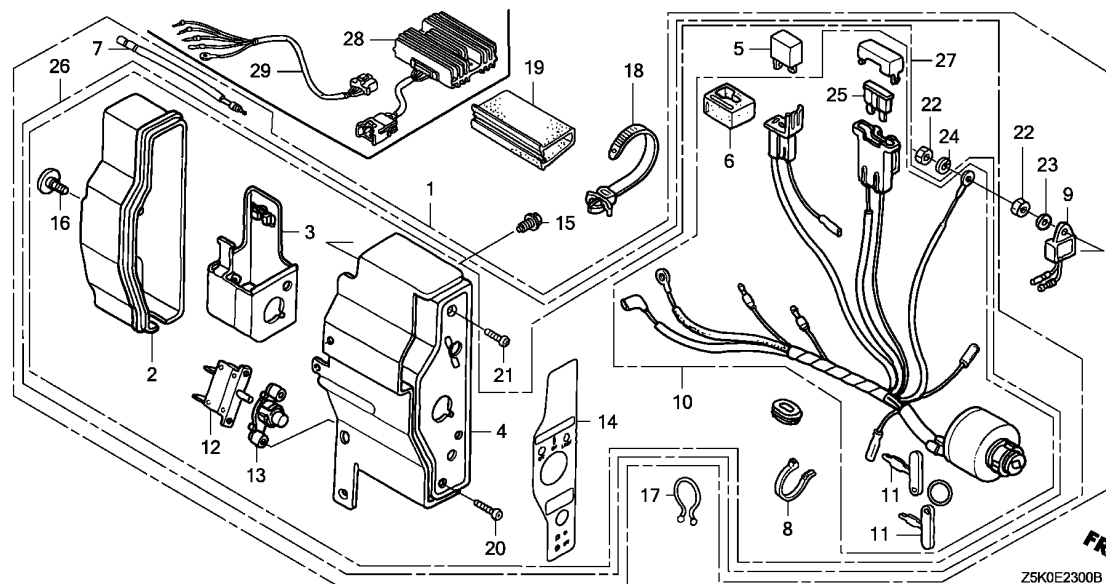
2

Ref. No.	Part No.	Description	Reqd. QTY				Serial No.	Parts catalogue code
			GX 270 UT	GX 270 UT2	GX 270 RT	GX 270 RT2		
1	16252-ZA1-010	CAP, CHOKE LEVER .....	-	-	1	-	-----	VAG2
2	16268-893-000	SPRING, CHOKE RETURN .....	-	-	1	-	-----	VAG2
3	16270-ZB4-010	AUTO-THROTTLE ASSY. ....	-	-	1	-	-----	VAG2
4	16271-ZB4-000	STAY, SOLENOID THROTTLE .....	-	-	1	-	-----	VAG2
5	16273-ZB4-000	LEVER COMP., SOLENOID THROTTLE	-	-	1	-	-----	VAG2
6	36160-ZB4-013	SOLENOID ASSY. ....	-	-	1	-	-----	VAG2
7	90013-883-000	BOLT, FLANGE, 6X12(CT200) ...	-	-	1	-	-----	VAG2
8	91502-ZB4-701	BUSH, AUTO-THROTTLE LEVER ...	-	-	1	-	-----	VAG2
9	93500-05008-0A	SCREW, PAN, 5X8 .....	-	-	2	-	-----	VAG2
10	94305-20062	PIN, SPRING, 2X6 .....	-	-	1	-	-----	VAG2
11	94540-04018	E-RING, 4MM .....	-	-	1	-	-----	VAG2

E-23

CONTROL BOX(1)

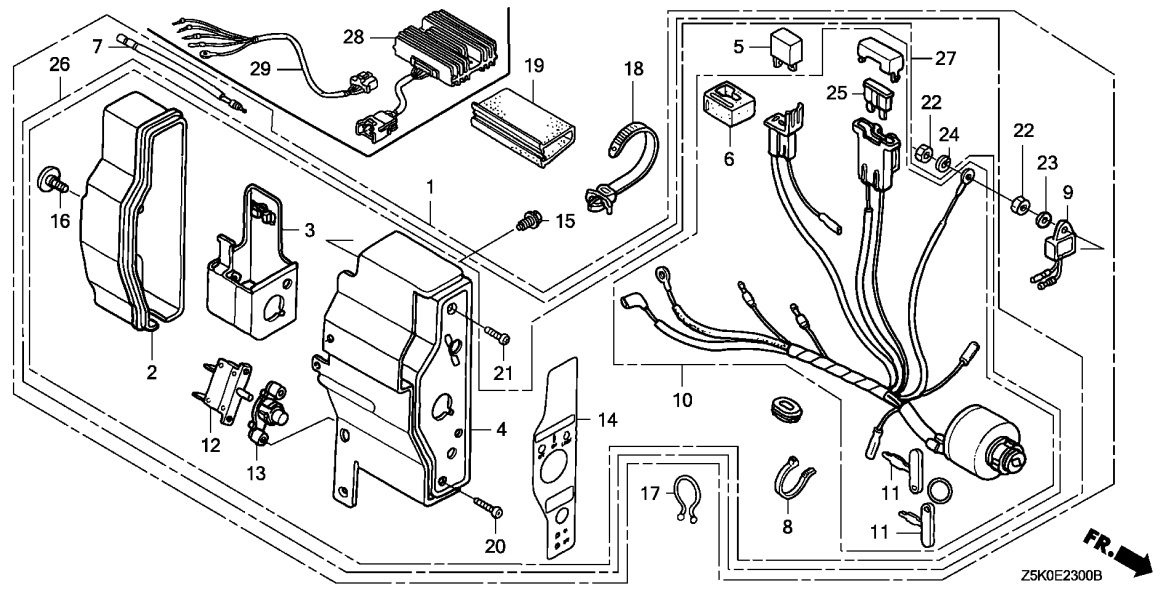
K 7



Ref. No.	L.O.N.	(Relative ref. Number) Description	F.R.T.
----------	--------	------------------------------------	--------

Ref. No.	Part No.	Description	Reqd. QTY				Serial No.	Parts catalogue code
			GX 270	GX 270	GX 270	GX 270		
1	31610-Z5J-801ZC	BOX ASSY., CONTROL(EXP-ALERT) (3A)						
	*R280*	.....POWER RED	1	-	1	-	-----	HEA2,HEA8,HKS8,PAE2,QAE2,QAE6,VDE2,VKB2
	31610-Z5K-802ZA	BOX ASSY., CONTROL(EXP-ALERT)						
	*R280*	.....POWER RED	1	-	-	-	-----	PXED,QXE4,SXE4,VXE6,VXE7,VXE9
	31610-Z5J-801ZA	BOX ASSY., CONTROL(EXP-ALERT) (3A)						
	*NH1*	.....BLACK	1	-	-	-	-----	QAE2
	31610-Z5K-802ZB	BOX ASSY., CONTROL(EXP-ALERT)						
	*NH1*	.....BLACK	1	-	-	-	-----	VXE7,VXE9
	31610-Z5K-801ZA	*R280*.....POWER RED	1	-	-	-	1181871	LXE8,PXE8,QXE8,SXE8
	31610-Z5K-802ZA	*R280*.....POWER RED	1	-	-	-	1181872	LXE8,PXE8,QXE8,SXE8
2	31612-ZE2-003	CASE, CONTROL	1	1	1	1	-----	HEA2,HEA8,HKS8,LXE8,PAE2,PXE8,PXED,QAE2,QAE6,QXE4,QXE8,QXEM RHE2,RHE4,RHE5,SXE4,SXE8,VDE2,VKB2,VXE6,VXE7,VXE9
3	31614-ZE2-003	BRACKET, CASE MOUNTING	1	1	1	1	-----	HEA2,HEA8,HKS8,LXE8,PAE2,PXE8,PXED,QAE2,QAE6,QXE4,QXE8,QXEM RHE2,RHE4,RHE5,SXE4,SXE8,VDE2,VKB2,VXE6,VXE7,VXE9
4	31615-ZE2-003ZG	PANEL COMP., CONTROL						
	*R280*	.....POWER RED	1	1	1	1	-----	HEA2,HEA8,HKS8,LXE8,PAE2,PXE8,PXED,QAE2,QAE6,QXE4,QXE8,QXEM RHE2,RHE4,RHE5,SXE4,SXE8,VDE2,VKB2,VXE6,VXE7,VXE9
	31615-ZE2-003ZA	*NH1*.....BLACK	1	-	-	-	-----	QAE2,VXE7,VXE9
			-	1	-	-	-----	PXE8,QAE2,QXEM,VXE7,VXE9
5	31700-124-008	RECTIFIER ASSY., SILICON (SHINDENGEN)	1	1	1	1	-----	HEA2,HEA8,HKS8,LXE8,PAE2,PXE8,PXED,QAE2,QAE6,QXE4,QXE8,QXEM RHE2,RHE4,RHE5,SXE4,SXE8,VDE2,VKB2,VXE6,VXE7,VXE9
6	32127-738-700	SUSPENSION, COUPLER	1	1	1	1	-----	HEA2,HEA8,HKS8,LXE8,PAE2,PXE8,PXED,QAE2,QAE6,QXE4,QXE8,QXEM RHE2,RHE4,RHE5,SXE4,SXE8,VDE2,VKB2,VXE6,VXE7,VXE9
7	32197-ZE1-003	HARNESS, SUB WIRE	1	-	1	-	-----	HEA2,HEA8,HKS8,LXE8,PAE2,PXE8,PXED,QAE2,QAE6,QXE4,QXE8,SXE4 SXE8,VDE2,VKB2,VXE6,VXE7,VXE9

2



Ref. No.	Part No.	Description	Reqd. QTY				Serial No.	Parts catalogue code
			GX 270 UT	GX 270 UT2	GX 270 RT	GX 270 RT2		
8	32902-892-003	BAND .....	1	1	1	1	HEA2, HEA8, HKS8, LXE8, PAE2, PXE8, PXED, QAE2, QAE6, QXE4, QXE8, QXEM, RHE2, RHE4, RHE5, SXE4, SXE8, VDE2, VKB2, VXE6, VXE7, VXE9	
9	34150-ZH7-013	ALERT UNIT, OIL .....	1	-	1	-	HEA2, HEA8, HKS8, PAE2, PXED, QAE2, QAE6, QXE4, SXE4, VDE2, VKB2, VXE6, VXE7, VXE9	
	34150-ZH7-003	.....	1	-	-	-	LXE8, PXE8, QXE8, SXE8	
10	35100-ZE2-843	SWITCH ASSY., COMBINATION (3A-CHARGE) .....	1	-	1	-	HEA2, HEA8, HKS8, PAE2, QAE2, QAE6, VDE2, VKB2	
	35100-ZE2-033	SWITCH ASSY., COMBINATION ...	1	-	-	-	LXE8, PXE8, PXED, QXE4, QXE8, RHE2, RHE4, SXE4, SXE8, VXE6, VXE7, VXE9	
	35100-Z5T-821	SWITCH ASSY., COMBINATION (3A-CHARGE) .....	-	1	-	1	HEA2, HKS8, PAE2, QAE2, VDE2, VKB2	
	35100-Z5T-811	SWITCH ASSY., COMBINATION ...	-	1	-	-	PXE8, PXED, QXE4, QXE8, QXEM, RHE4, RHE5, SXE4, VXE6, VXE7, VXE9	
11	35111-880-013	KEY COMP. ....	2	2	2	2	HEA2, HEA8, HKS8, LXE8, PAE2, PXE8, PXED, QAE2, QAE6, QXE4, QXE8, QXEM, RHE2, RHE4, RHE5, SXE4, SXE8, VDE2, VKB2, VXE6, VXE7, VXE9	
12	38240-ZE2-840	PROTECTOR, CIRCUIT(3.5A) ....	1	1	1	1	HEA2, HEA8, HKS8, PAE2, QAE2, QAE6, VDE2, VKB2	
	38240-VA3-900	PROTECTOR, CIRCUIT(1.0A) ....	1	1	-	-	LXE8, PXE8, PXED, QXE4, QXE8, QXEM, RHE2, RHE4, RHE5, SXE4, SXE8, VXE6, VXE7, VXE9	
13	38250-ZA8-701	LENS ASSY., PROTECTOR .....	1	1	1	1	HEA2, HEA8, HKS8, LXE8, PAE2, PXE8, PXED, QAE2, QAE6, QXE4, QXE8, QXEM, RHE2, RHE4, RHE5, SXE4, SXE8, VDE2, VKB2, VXE6, VXE7, VXE9	
14	87529-Z4T-840	MARK, CONTROL BOX(EXTERNAL) ..	1	-	1	1	HEA2, HEA8, HKS8, LXE8, PAE2, PXE8, PXED, QAE2, QAE6, QXE4, QXE8, RHE2, RHE4, SXE4, SXE8, VDE2, VKB2, VXE6, VXE7, VXE9	
			-	1	-	-	HEA2, HKS8, PAE2, PXE8, PXED, QAE2, QXE4, QXE8, QXEM, SXE4, VXE6, VXE7, VXE9	
	87529-ZE2-812	MARK, CONTROL BOX(EXP) .....	-	1	-	-	RHE4, RHE5	
15	90013-883-000	BOLT, FLANGE, 6X12(CT200) ...	2	2	2	2	HEA2, HEA8, HKS8, LXE8, PAE2, PXE8, PXED, QAE2, QAE6, QXE4, QXE8, QXEM, RHE2, RHE4, RHE5, SXE4, SXE8, VDE2, VKB2, VXE6, VXE7, VXE9	
16	90380-MA6-010	SCREW, SPECIAL, 6X12 .....	1	1	1	1	HEA2, HEA8, HKS8, LXE8, PAE2, PXE8, PXED, QAE2, QAE6, QXE4, QXE8, QXEM, RHE2, RHE4, RHE5, SXE4, SXE8, VDE2, VKB2, VXE6, VXE7, VXE9	

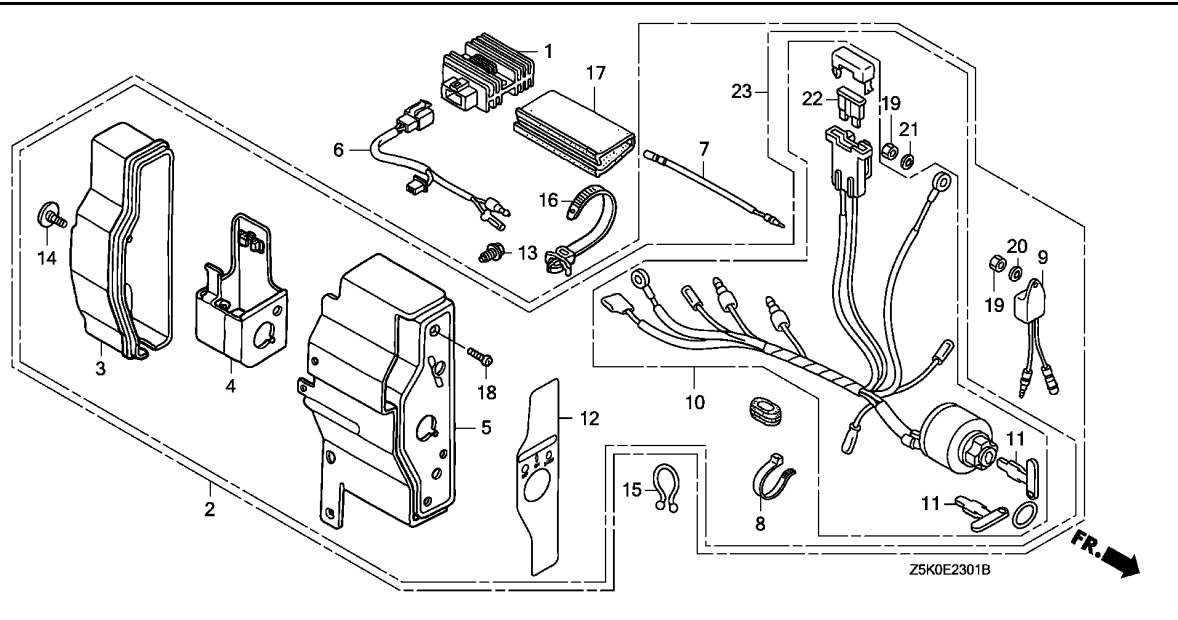
Ref. No.	Part No.	Description	Reqd. QTY				Serial No.	Parts catalogue code
			GX 270 UT	GX 270 UT2	GX 270 RT	GX 270 RT2		
17	90630-751-000	CLIP, PURSE LOCK .....	1	-	1	-	HEA2,HEA8,HKS8,LXE8,PAE2,PXE8,PXED,QAE2,QAE6,QXE4,QXE8,RHE2 RHE4,SXE4,SXE8,VDE2,VKB2,VXE6,VXE7,VXE9 HEA2,HKS8,PAE2,QAE2,QXE4,RHE4,SXE4,VXE7 PXE8,PXED,QXE8,QXEM,RHE5,VXE6,VXE9 VDE2,VKB2	
18	90672-SA0-003	STRAP, CABLE, 118MM(BLACK) ..	1	1	1	1	HEA2,HEA8,HKS8,LXE8,PAE2,PXE8,PXED,QAE2,QAE6,QXE4,QXE8,QXEM RHE2,RHE4,RHE5,SXE4,SXE8,VDE2,VKB2,VXE6,VXE7,VXE9	
19	91406-ZE2-003	TUBE, FASTENER, 30MM .....	1	1	1	1	HEA2,HEA8,HKS8,LXE8,PAE2,PXE8,PXED,QAE2,QAE6,QXE4,QXE8,QXEM RHE2,RHE4,RHE5,SXE4,SXE8,VDE2,VKB2,VXE6,VXE7,VXE9	
20	93500-03012-0H	SCREW, PAN, 3X12 .....	2	2	2	2	HEA2,HEA8,HKS8,LXE8,PAE2,PXE8,PXED,QAE2,QAE6,QXE4,QXE8,QXEM RHE2,RHE4,RHE5,SXE4,SXE8,VDE2,VKB2,VXE6,VXE7,VXE9	
21	93500-04012-0H	SCREW, PAN, 4X12 .....	1	-	1	-	HEA2,HEA8,HKS8,LXE8,PAE2,PXE8,PXED,QAE2,QAE6,QXE4,QXE8,RHE2 RHE4,SXE4,SXE8,VDE2,VKB2,VXE6,VXE7,VXE9	
22	94001-04390-0S	NUT, HEX., 4MM .....	2	-	-	-	HEA2,HEA8,HKS8,LXE8,PAE2,PXE8,PXED,QAE2,QAE6,QXE4,QXE8,SXE4 SXE8,VXE6,VXE7,VXE9 RHE2,RHE4 VDE2,VKB2	
23	94101-04800	WASHER, PLAIN, 4MM .....	1	-	1	-	HEA2,HEA8,HKS8,LXE8,PAE2,PXE8,PXED,QAE2,QAE6,QXE4,QXE8,SXE4 SXE8,VDE2,VKB2,VXE6,VXE7,VXE9	
24	94111-04800	WASHER, SPRING, 4MM .....	1	-	1	-	HEA2,HEA8,HKS8,LXE8,PAE2,PXE8,PXED,QAE2,QAE6,QXE4,QXE8,RHE2 RHE4,SXE4,SXE8,VDE2,VKB2,VXE6,VXE7,VXE9	
25	98200-31500	FUSE, BLADE(15A) .....	1	-	1	-	HEA2,HEA8,HKS8,PAE2,QAE2,QAE6,VDE2,VKB2	
	98200-30500	FUSE, BLADE(5A) .....	1	-	-	1	LXE8,PXE8,PXED,QXE4,QXE8,RHE2,RHE4,SXE4,SXE8,VDE2,VKB2,VXE6 VXE7,VXE9 HEA2,HKS8,PAE2,PXE8,PXED,QAE2,QXE4,QXE8,QXEM,RHE4,RHE5,SXE4 VXE6,VXE7,VXE9	
26	31610-Z5J-811ZA	BOX ASSY., CONTROL(EXTERNAL) *R280*.....POWER RED	1	-	-	-	RHE2,RHE4	
27	31610-Z5K-821ZB	BOX ASSY., CONTROL(EXP-ALERT) (3A) *R280*.....POWER RED	-	1	-	1	HEA2,HKS8,PAE2,QAE2,VDE2,VKB2	
	31610-Z5K-811ZB	BOX ASSY., CONTROL(EXP-ALERT) *R280*.....POWER RED	-	1	-	-	PXE8,PXED,QXE4,QXE8,QXEM,SXE4,VXE6,VXE7,VXE9	
	31610-Z5K-811ZA	*NH1*.....BLACK	-	1	-	-	PXE8,QXEM,VXE7,VXE9	
	31610-Z5K-821ZA	BOX ASSY., CONTROL(EXP-ALERT) (3A) *NH1*.....BLACK	-	1	-	-	QAE2	
	31610-Z5K-851ZB	BOX ASSY., CONTROL(EXP-ALERT) *R280*.....POWER RED	-	1	-	-	RHE4,RHE5	
28	31620-ZG5-033	RECTIFIER ASSY., REGULATOR (20A)	1	1	-	-	QAR2	
29	32110-ZE2-W00	HARNESS ASSY., SUB WIRE .....	1	1	-	-	QAR2	



E-23-1

CONTROL BOX(2)

K10



Ref. No.	L.O.N.	(Relative ref. Number) Description	F.R.T.

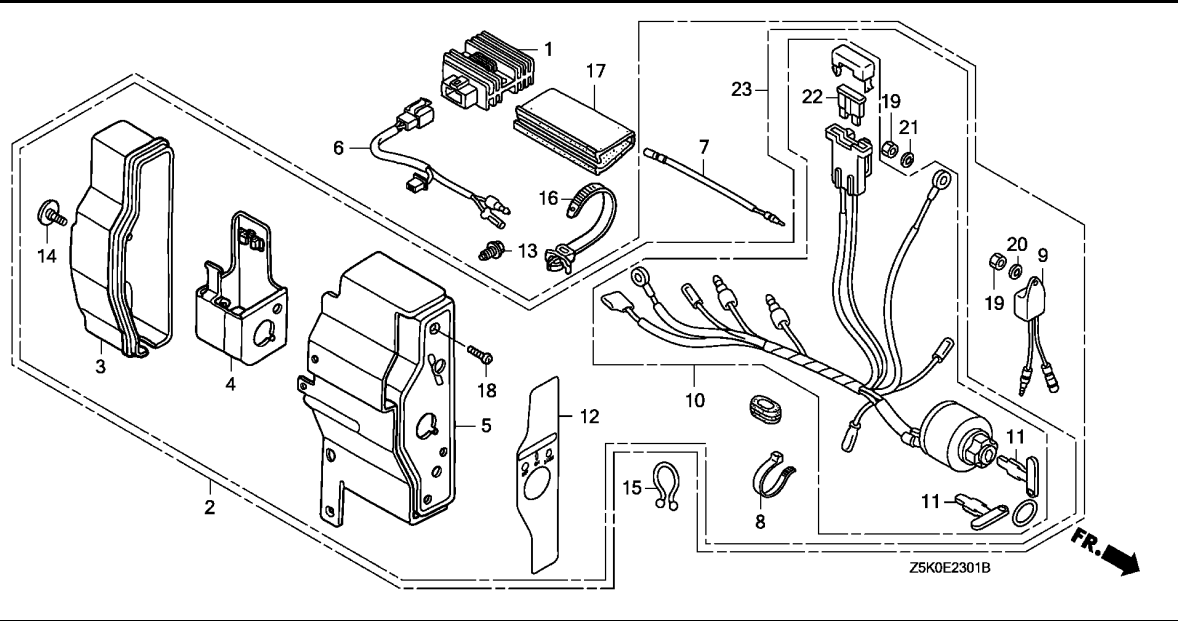
Ref. No.	Part No.	Description	Reqd. QTY				Serial No.	Parts catalogue code
			GX 270	GX 270	GX 270	GX 270		
1	31600-ZE2-861	RECTIFIER ASSY., REGULATOR (10A)	1	1	-	-	----- QKE4,QME2,QSE8,QXB6,SME1	
2	31610-Z5J-821ZA	BOX ASSY., CONTROL(EXP-ALERT) (10A)	1	1	-	-	----- QME2,QSC9,QSE8,QXB6,SME1	
3	31612-ZE2-003	*R280*.....POWER RED CASE, CONTROL	1	1	-	-	----- QME2,QSC9,QSE8,QXB6,SME1	
4	31614-ZE2-003	BRACKET, CASE MOUNTING	1	1	-	-	----- QME2,QSC9,QSE8,QXB6,SME1	
5	31615-ZE2-003ZG	PANEL COMP., CONTROL *R280*.....POWER RED	1	1	-	-	----- QME2,QSC9,QSE8,QXB6,SME1	
6	32110-ZE2-860	HARNESS ASSY., SUB WIRE	1	1	-	-	----- QKE4,QME2,QSE8,QXB6,QZK4,SME1	
7	32197-ZE1-003	HARNESS, SUB WIRE	1	-	-	-	----- QME2,QSC9,QSE8,QXB6,SME1	
8	32902-892-003	BAND	1	1	-	-	----- QME2,QSC9,QSE8,QXB6,SME1	
9	34150-ZH7-013	ALERT UNIT, OIL	1	-	-	-	----- QME2,QSC9,QXB6,SME1	
9	34150-ZH7-003	.....	1	-	-	-	----- QSE8	
10	35100-ZE2-862	SWITCH ASSY., COMBINATION (10A-CHARGE)	1	-	-	-	----- QME2,QSC9,QSE8,QXB6,SME1	
10	35100-Z5T-831	SWITCH ASSY., COMBINATION(10A)	-	1	-	-	----- QME2,QSC9,QSE8,QXB6,SME1	
11	35111-880-013	KEY COMP.	2	2	-	-	----- QME2,QSC9,QSE8,QXB6,SME1	
12	87529-Z4S-820	MARK, CONTROL BOX(EXP)	1	1	-	-	----- QME2,QSC9,QSE8,QXB6,SME1	
13	90013-883-000	BOLT, FLANGE, 6X12(CT200)	2	2	-	-	----- QME2,QSC9,QSE8,QXB6,SME1	
14	90380-MA6-010	SCREW, SPECIAL, 4X12	1	1	-	-	----- QME2,QSC9,QSE8,QXB6,SME1	
15	90630-751-000	CLIP, PURSE LOCK	1	1	-	-	----- QME2,QSC9,QSE8,QXB6,SME1	
16	90672-SAO-003	STRAP, CABLE, 118MM(BLACK)	1	1	-	-	----- QME2,QSC9,QSE8,QXB6,SME1	
17	91406-ZE2-003	TUBE, FASTENER, 30MM	1	1	-	-	----- QME2,QSC9,QSE8,QXB6,SME1	
18	93500-04012-0H	SCREW, PAN, 4X12	1	1	-	-	----- QME2,QSC9,QSE8,QXB6,SME1	
19	94001-04390-0S	NUT, HEX., 4MM	2	1	-	-	----- QME2,QSC9,QSE8,QXB6,SME1	

2

E-23-1

CONTROL BOX(2)

K11



Ref. No.	Part No.	Description	Reqd. QTY				Serial No.	Parts catalogue code
			GX 270 UT	GX 270 UT2	GX 270 RT	GX 270 RT2		
20	94101-04800	WASHER, PLAIN, 4MM .....	1	-	-	-	-----	QME2,QSC9,QSE8,QXB6,SME1
21	94111-04800	WASHER, SPRING, 4MM .....	1	1	-	-	-----	QME2,QSC9,QSE8,QXB6,SME1
22	98200-31500	FUSE, BLADE(15A) .....	1	1	-	-	-----	QME2,QSC9,QSE8,QXB6,SME1
23	31610-Z5K-831ZB	BOX ASSY., CONTROL(EXP-ALERT) (10A) *R280*.....POWER RED	-	1	-	-	-----	QME2,QSC9,QSE8,QXB6,SME1

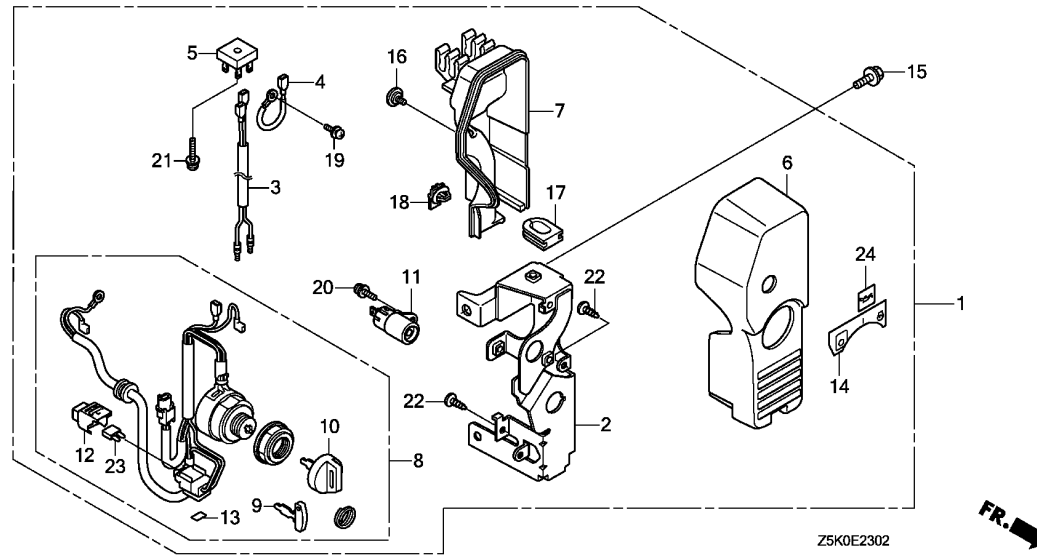
2



# E-23-2

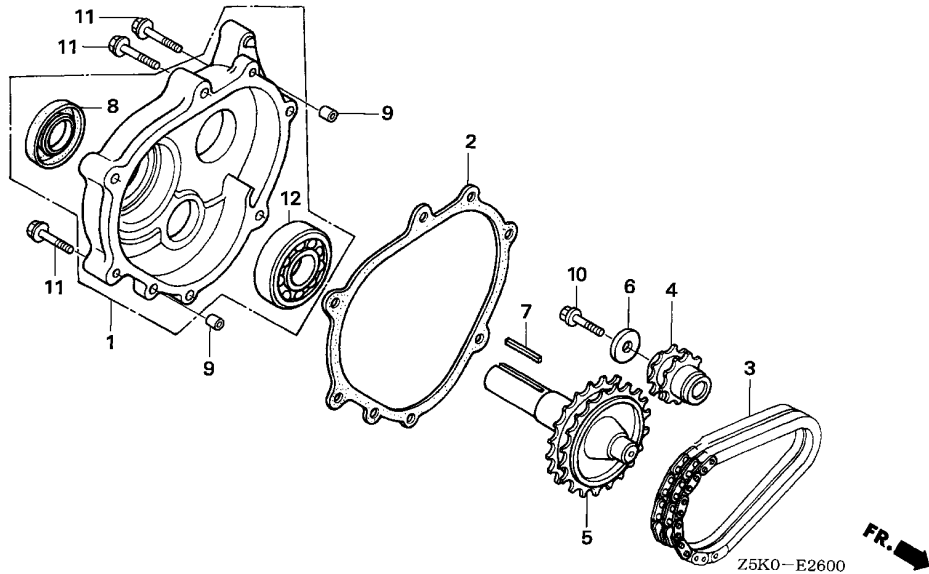
# CONTROL BOX(3)

K12



Ref. No.	L.O.N.	(Relative ref. Number) Description	F.R.T.
----------	--------	------------------------------------	--------

Ref. No.	Part No.	Description	Reqd. QTY				Serial No.	Parts catalogue code
			GX 270 UT	GX 270 UT2	GX 270 RT	GX 270 RT2		
1	31610-Z5T-W00	BOX ASSY., CONTROL	-	1	-	-	PZX8,QZA2,QZAV,QZX4,QZXR,VZX7	
2	31614-Z5T-W00	BRACKET, SWITCH BOX	-	1	-	-	PZX8,QZA2,QZAV,QZM2,QZMH,QZX4,QZXR,VZX7	
3	31711-Z5T-W00	CORD, CHARGE COIL	-	1	-	-	PZX8,QZA2,QZAV,QZX4,QZXR,VZX7	
4	31712-Z5T-W00	CORD, EARTH	-	1	-	-	PZX8,QZA2,QZAV,QZX4,QZXR,VZX7	
5	31713-Z5T-W01	RECTIFIER COMP.	-	1	-	-	PZX8,QZA2,QZAV,QZX4,QZXR,VZX7	
6	32346-Z5T-W00	PANEL, CONTROL	-	1	-	-	PZX8,QZA2,QZAV,QZM2,QZMH,QZX4,QZXR,VZX7	
7	32612-Z5T-W00	COVER, CONTROL	-	1	-	-	PZX8,QZA2,QZAV,QZM2,QZMH,QZX4,QZXR,VZX7	
8	35100-Z5T-W01	SWITCH ASSY., COMBINATION(IND)	-	1	-	-	PZX8,QZA2,QZAV,QZX4,QZXR,VZX7	
	35100-Z5T-W21		-	1	-	-	QZM2,QZMH	
9	35110-Z5T-W01	KEY COMP.	-	1	-	-	PZX8,QZA2,QZAV,QZM2,QZMH,QZX4,QZXR,VZX7	
10	35110-Z5T-W11	KEY ASSY., COMBINATION SWITCH (BLACK)	-	1	-	-	PZX8,QZA2,QZAV,QZM2,QZMH,QZX4,QZXR,VZX7	
11	37150-Z5T-W01	INDICATOR ASSY.	-	1	-	-	PZX8,QZA2,QZAV,QZM2,QZMH,QZX4,QZXR,VZX7	
12	38216-Z2E-003	COVER ASSY., FUSE	-	1	-	-	PZX8,QZA2,QZAV,QZM2,QZMH,QZX4,QZXR,VZX7	
13	87117-Z2E-800	LABEL, FUSE(30A)	-	1	-	-	PZX8,QZA2,QZAV,QZM2,QZMH,QZX4,QZXR,VZX7	
14	87501-Z5T-W00	MARK, ENGINE SWITCH	-	1	-	-	PZX8,QZA2,QZAV,QZM2,QZMH,QZX4,QZXR,VZX7	
15	90013-883-000	BOLT, FLANGE, 6X12(CT200)	-	2	-	-	PZX8,QZA2,QZAV,QZM2,QZMH,QZX4,QZXR,VZX7	
16	90380-MB2-000	SCREW, SPECIAL, 6X8	-	1	-	-	PZX8,QZA2,QZAV,QZM2,QZMH,QZX4,QZXR,VZX7	
17	90601-Z5T-W00	GROMMET, CONTROL BOX	-	1	-	-	PZX8,QZA2,QZAV,QZM2,QZMH,QZX4,QZXR,VZX7	
18	91565-SEL-003	CLIP, COUPLER(BLACK)	-	1	-	-	PZX8,QZA2,QZAV,QZM2,QZMH,QZX4,QZXR,VZX7	
19	93891-04008-08	SCREW-WASHER, 4X8	-	1	-	-	PZX8,QZA2,QZAV,QZX4,QZXR,VZX7	
20	93891-04010-08	SCREW-WASHER, 4X10	-	1	-	-	PZX8,QZA2,QZAV,QZM2,QZMH,QZX4,QZXR,VZX7	
21	93893-04020-08	SCREW-WASHER, 4X20	-	1	-	-	PZX8,QZA2,QZAV,QZX4,QZXR,VZX7	
22	93913-24310	SCREW, TAPPING, 4X14(PO)	-	2	-	-	PZX8,QZA2,QZAV,QZM2,QZMH,QZX4,QZXR,VZX7	
23	98200-43000	FUSE, MINI(30A)	-	1	-	-	PZX8,QZA2,QZAV,QZM2,QZMH,QZX4,QZXR,VZX7	
24	87594-Z5T-W00	MARK, OIL CAUTION	-	1	-	-	PZX8,QZA2,QZAV,QZM2,QZMH,QZX4,QZXR,VZX7	



Ref. L.O.N. (Relative ref. Number) F.R.T.  
No. Description

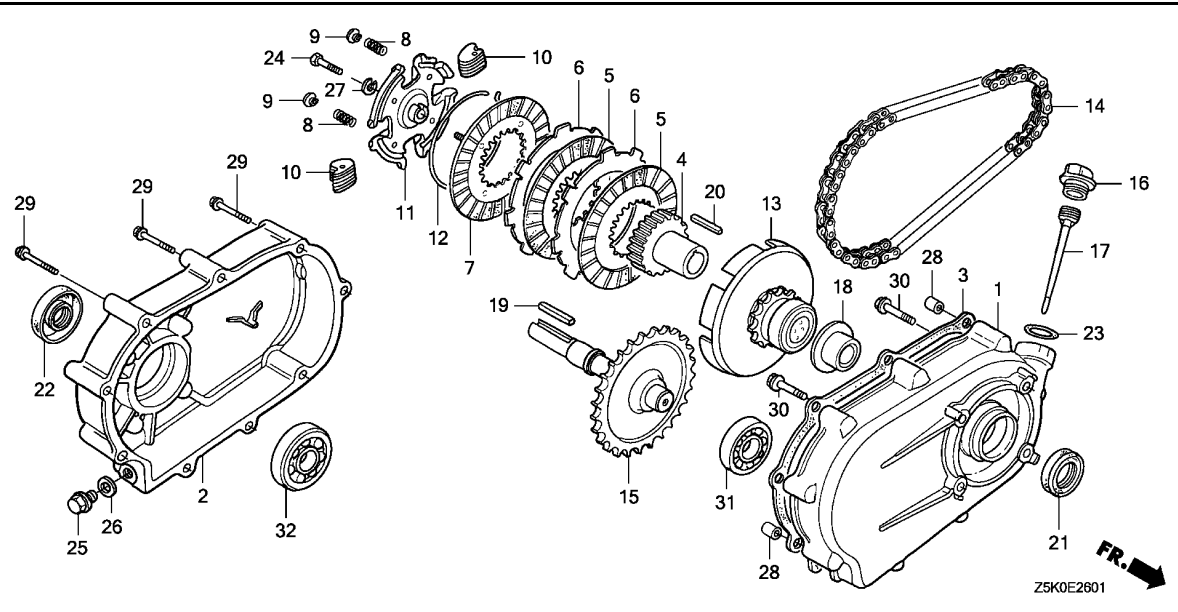
Ref. No.	Part No.	Description	Reqd. QTY				Serial No.	Parts catalogue code
			GX 270 UT	GX 270 UT2	GX 270 RT	GX 270 RT2		
1	11500-ZE2-610	COVER ASSY., CHAIN CASE .....	1	1	-	-	----- LXE8,LXU	
	11500-Z8S-610	.....	1	1	-	-	----- LXQ4	
2	11521-ZE2-800	PACKING, CHAIN CASE COVER ...	1	1	-	-	----- LXE8,LXQ4,LXU	
3	14411-ZE2-611	CHAIN, P.T.O. DRIVE .....	1	1	-	-	----- LXE8,LXQ4,LXU	
4	23110-ZE2-610	SPROCKET, DRIVE(14T) .....	1	1	-	-	----- LXE8,LXQ4,LXU	
5	23710-ZE2-610	SHAFT, P.T.O.(28T) .....	1	1	-	-	----- LXE8,LXQ4,LXU	
6	90473-842-000	WASHER, 8MM .....	1	1	-	-	----- LXE8,LXQ4,LXU	
7	90741-805-000	KEY, 7X7X33 .....	1	1	-	-	----- LXE8,LXQ4,LXU	
	90741-889-810	KEY, 7X7X33(YELLOW)(O.S.) ...	(1)	(1)	-	-	----- LXE8,LXQ4,LXU	
8	91201-890-003	OIL SEAL, 30X46X8 .....	1	1	-	-	----- LXE8,LXU	
	91201-Z1D-003	.....	1	1	-	-	----- LXQ4	
9	94301-08140	DOWEL PIN, 8X14 .....	2	2	-	-	----- LXE8,LXQ4,LXU	
10	95701-08025-00	BOLT, FLANGE, 8X25 .....	1	1	-	-	----- LXE8,LXQ4,LXU	
11	95701-08040-00	BOLT, FLANGE, 8X40 .....	6	6	-	-	----- LXE8,LXQ4,LXU	
12	96100-62060-00	BEARING, RADIAL BALL, 6206 ..	1	1	-	-	----- LXE8,LXQ4,LXU	



E-26-1

REDUCTION(1/2)(CLUTCH)

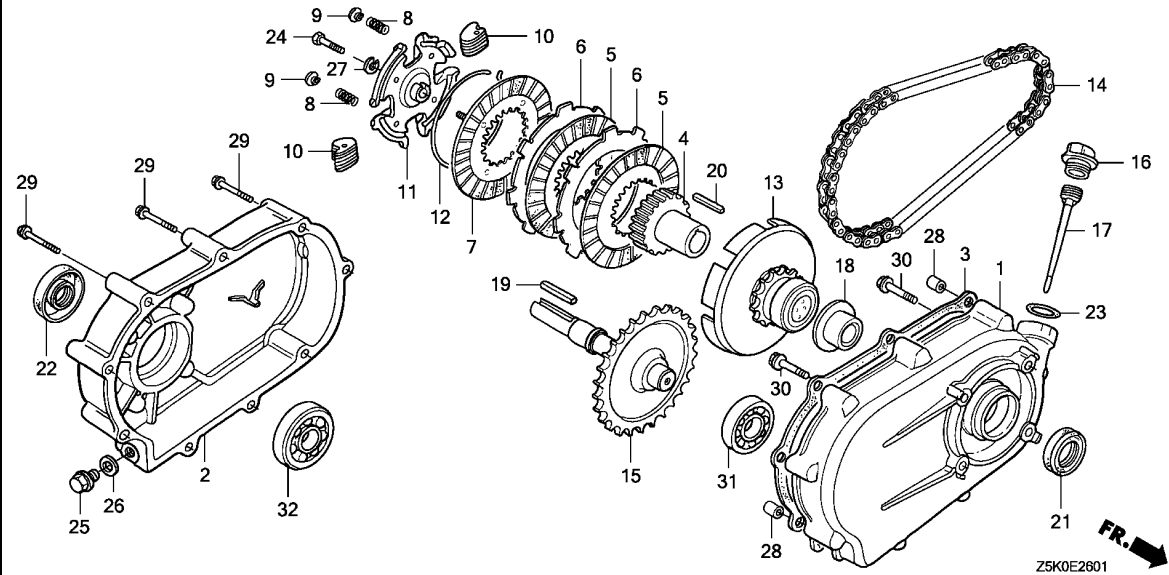
K14



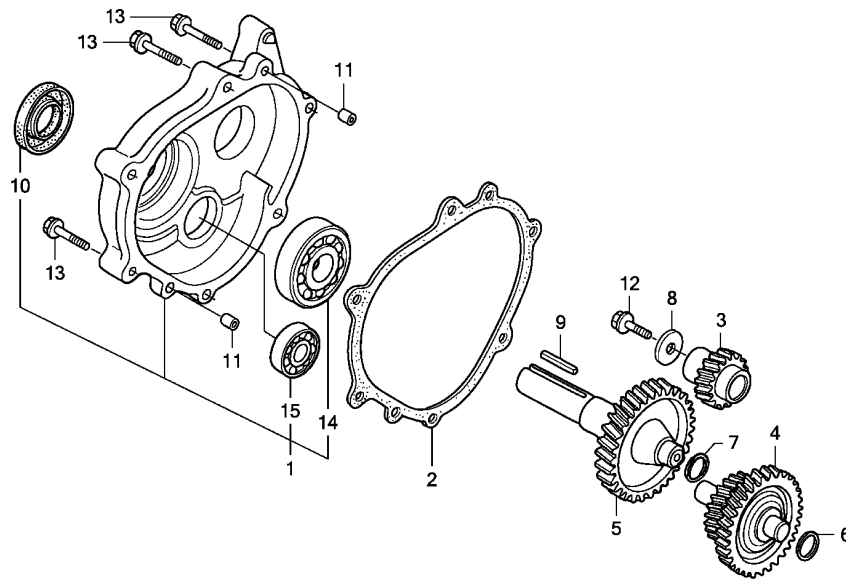
Ref. No.	L.O.N. (Relative ref. Number)	Description	F.R.T.

Ref. No.	Part No.	Description	Reqd. QTY				Serial No.	Parts catalogue code
			GX 270	GX 270	GX 270	GX 270		
1	21510-889-750	CASE, REDUCTION	1	1	1	1	RA2,RDG4,RH26,RHE2,RHE4,RHE5,RHG4,RHQ4,RHQ5,RSC2,RXQ4,RXU	
2	21610-889-750	COVER, REDUCTION	1	1	1	1	RA2,RDG4,RH26,RHE2,RHE4,RHE5,RHG4,RHQ4,RHQ5,RSC2,RXQ4,RXU	
3	21691-889-750	PACKING, REDUCTION COVER	1	1	1	1	RA2,RDG4,RH26,RHE2,RHE4,RHE5,RHG4,RHQ4,RHQ5,RSC2,RXQ4,RXU	
	21691-27B-701	PACKING, REDUCTION COVER (NINGBO SIL GASKET)	-	1	-	1	RA2,RDG4,RH26,RHE2,RHE4,RHE5,RHG4,RHQ4,RHQ5,RSC2,RXQ4,RXU	
4	22121-889-750	CENTER, CLUTCH(28T)	1	1	1	1	RA2,RDG4,RH26,RHE2,RHE4,RHE5,RHG4,RHQ4,RHQ5,RSC2,RXQ4,RXU	
5	22201-822-610	DISK, CLUTCH FRICTION	2	2	2	2	RA2,RDG4,RH26,RHE2,RHE4,RHE5,RHG4,RHQ4,RHQ5,RSC2,RXQ4,RXU	
6	22311-822-610	PLATE, CLUTCH	2	2	2	2	RA2,RDG4,RH26,RHE2,RHE4,RHE5,RHG4,RHQ4,RHQ5,RSC2,RXQ4,RXU	
7	22350-822-610	PLATE COMP., CLUTCH PRESSURE	1	1	1	1	RA2,RDG4,RH26,RHE2,RHE4,RHE5,RHG4,RHQ4,RHQ5,RSC2,RXQ4,RXU	
8	22411-822-611	SPRING, CLUTCH FREE	4	4	4	4	RA2,RDG4,RH26,RHE2,RHE4,RHE5,RHG4,RHQ4,RHQ5,RSC2,RXQ4,RXU	
9	22421-822-610	HOLDER, CLUTCH SPRING	4	4	4	4	RA2,RDG4,RH26,RHE2,RHE4,RHE5,RHG4,RHQ4,RHQ5,RSC2,RXQ4,RXU	
10	22521-822-610	WEIGHT, CLUTCH	48	48	48	48	RA2,RDG4,RH26,RHE2,RHE4,RHE5,RHG4,RHQ4,RHQ5,RSC2,RXQ4,RXU	
11	22531-889-750	HOLDER, CLUTCH WEIGHT	1	1	1	1	RA2,RDG4,RH26,RHE2,RHE4,RHE5,RHG4,RHQ4,RHQ5,RSC2,RXQ4,RXU	
12	22535-822-610	CENTER, CLUTCH WEIGHT	1	1	1	1	RA2,RDG4,RH26,RHE2,RHE4,RHE5,RHG4,RHQ4,RHQ5,RSC2,RXQ4,RXU	
13	23120-889-750	SPROCKET COMP., DRIVE(14T)	1	1	1	1	RA2,RDG4,RH26,RHE2,RHE4,RHE5,RHG4,RHQ4,RHQ5,RSC2,RXQ4,RXU	
14	23161-822-611	CHAIN, DRIVE(RK428SH-36LE)	1	1	1	1	RA2,RDG4,RH26,RHE2,RHE4,RHE5,RHG4,RHQ4,RHQ5,RSC2,RXQ4,RXU	
15	23711-822-610	SHAFT COMP., P.T.O.(28T)	1	1	1	1	RA2,RDG4,RH26,RHE2,RHE4,RHE5,RHG4,RHQ4,RHQ5,RSC2,RXQ4,RXU	
16	25620-805-612	CAP, REDUCTION OIL(GRAY)	1	1	1	1	RA2,RDG4,RH26,RHE2,RHE4,RHE5,RHG4,RHQ4,RHQ5,RSC2,RXQ4,RXU	
17	25651-889-750	GAUGE, OIL LEVEL	1	1	1	1	RA2,RDG4,RH26,RHE2,RHE4,RHE5,RHG4,RHQ4,RHQ5,RSC2,RXQ4,RXU	
18	90403-889-000	WASHER, THRUST, 25MM	1	1	1	1	RA2,RDG4,RH26,RHE2,RHE4,RHE5,RHG4,RHQ4,RHQ5,RSC2,RXQ4,RXU	
19	90741-805-000	KEY, 7X7X33	1	1	1	1	RA2,RDG4,RH26,RHE2,RHE4,RHE5,RHG4,RHQ4,RHQ5,RSC2,RXQ4,RXU	
	90741-889-810	KEY, 7X7X33(YELLOW)(O.S.)	(1)	(1)	(1)	(1)	RA2,RDG4,RH26,RHE2,RHE4,RHE5,RHG4,RHQ4,RHQ5,RSC2,RXQ4,RXU	
20	90741-889-000	KEY, CLUTCH CENTER	1	1	1	1	RA2,RDG4,RH26,RHE2,RHE4,RHE5,RHG4,RHQ4,RHQ5,RSC2,RXQ4,RXU	
21	91201-890-003	OIL SEAL, 30X46X8	1	1	1	1	RA2,RDG4,RH26,RHE2,RHE4,RHE5,RHG4,RHQ4,RHQ5,RSC2,RXQ4,RXU	
22	91202-22F-801	OIL SEAL, 30X50X7	1	1	1	1	RA2,RDG4,RH26,RHE2,RHE4,RHE5,RHG4,RHQ4,RHQ5,RSC2,RXQ4,RXU	

2

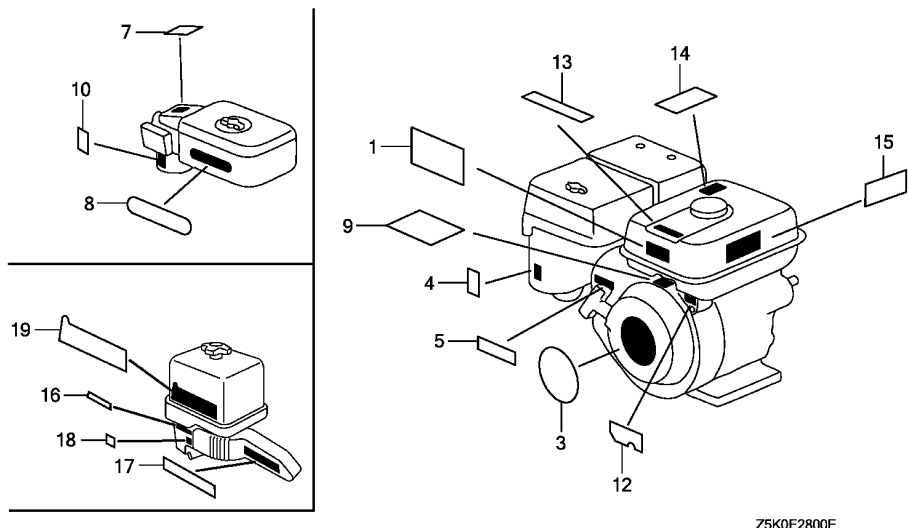


Ref. No.	Part No.	Description	Reqd. QTY				Serial No.	Parts catalogue code
			GX 270 UT	GX 270 UT2	GX 270 RT	GX 270 RT2		
23	91301-805-000	O-RING, 26X2.7	1	1	1	1	-----	RA2,RDG4,RH26,RHE2,RHE4,RHE5,RHG4,RHQ4,RHQ5,RSC2,RXQ4,RXU
24	92101-08035-0A	BOLT, HEX., 8X35	1	1	1	1	-----	RA2,RDG4,RH26,RHE2,RHE4,RHE5,RHG4,RHQ4,RHQ5,RSC2,RXQ4,RXU
25	92800-12000	BOLT, DRAIN PLUG, 12MM	1	1	1	1	-----	RA2,RDG4,RH26,RHE2,RHE4,RHE5,RHG4,RHQ4,RHQ5,RSC2,RXQ4,RXU
26	94109-12000	WASHER, DRAIN PLUG, 12MM	1	1	1	1	-----	RA2,RDG4,RH26,RHE2,RHE4,RHE5,RHG4,RHQ4,RHQ5,RSC2,RXQ4,RXU
27	94111-08800	WASHER, SPRING, 8MM	1	1	1	1	-----	RA2,RDG4,RH26,RHE2,RHE4,RHE5,RHG4,RHQ4,RHQ5,RSC2,RXQ4,RXU
28	94301-08140	DOWEL PIN, 8X14	2	2	2	2	-----	RA2,RDG4,RH26,RHE2,RHE4,RHE5,RHG4,RHQ4,RHQ5,RSC2,RXQ4,RXU
29	95701-06050-08	BOLT, FLANGE, 6X50	9	9	9	9	-----	RA2,RDG4,RH26,RHE2,RHE4,RHE5,RHG4,RHQ4,RHQ5,RSC2,RXQ4,RXU
30	95701-08032-08	BOLT, FLANGE, 8X32	4	4	4	4	-----	RA2,RDG4,RH26,RHE2,RHE4,RHE5,RHG4,RHQ4,RHQ5,RSC2,RXQ4,RXU
31	96100-62050-00	BEARING, RADIAL BALL, 6205	1	1	1	1	-----	RA2,RDG4,RH26,RHE2,RHE4,RHE5,RHG4,RHQ4,RHQ5,RSC2,RXQ4,RXU
32	96100-62060-00	BEARING, RADIAL BALL, 6206	1	1	1	1	-----	RA2,RDG4,RH26,RHE2,RHE4,RHE5,RHG4,RHQ4,RHQ5,RSC2,RXQ4,RXU



Ref. No.	L.O.N.	(Relative ref. Number) Description	F.R.T.
----------	--------	------------------------------------	--------

Ref. No.	Part No.	Description	Reqd. QTY				Serial No.	Parts catalogue code
			GX 270 UT	GX 270 UT2	GX 270 RT	GX 270 RT2		
1	11500-Z8S-620	COVER ASSY., REDUCTION CASE	1	1	-	-	HA2,HEA2,HEA8,HKS8,HX26,HX8,HXQ4	
2	11521-ZE2-800	PACKING, CHAIN CASE COVER	1	1	-	-	HA2,HEA2,HEA8,HKS8,HX26,HX8,HXQ4	
3	22103-ZE2-620	GEAR, PRIMARY DRIVE(17T)	1	1	-	-	HA2,HEA2,HEA8,HKS8,HX26,HX8,HXQ4	
4	23220-ZE2-621	COUNTERSHAFT COMP.(18T/40T)	1	1	-	-	HA2,HEA2,HEA8,HKS8,HX26,HX8,HXQ4	
5	23710-ZE2-621	SHAFT, P.T.O.(46T)	1	1	-	-	HA2,HEA2,HEA8,HKS8,HX26,HX8,HXQ4	
6	90401-ZE2-620	SHIM A	N	N	-	-	HA2,HEA2,HEA8,HKS8,HX26,HX8,HXQ4	
7	90402-ZE2-620	SHIM B	N	N	-	-	HA2,HEA2,HEA8,HKS8,HX26,HX8,HXQ4	
8	90473-842-000	WASHER, 8MM	1	1	-	-	HA2,HEA2,HEA8,HKS8,HX26,HX8,HXQ4	
9	90745-ZE2-600	KEY, 6.3X6.3X43	1	1	-	-	HA2,HEA2,HEA8,HKS8,HX26,HX8,HXQ4	
10	91201-Z1D-003	OIL SEAL, 30X46X8	1	1	-	-	HA2,HEA2,HEA8,HKS8,HX26,HX8,HXQ4	
11	94301-08140	DOWEL PIN, 8X14	2	2	-	-	HA2,HEA2,HEA8,HKS8,HX26,HX8,HXQ4	
12	95701-08025-00	BOLT, FLANGE, 8X25	1	1	-	-	HA2,HEA2,HEA8,HKS8,HX26,HX8,HXQ4	
13	95701-08040-00	BOLT, FLANGE, 8X40	6	6	-	-	HA2,HEA2,HEA8,HKS8,HX26,HX8,HXQ4	
14	96100-62060-00	BEARING, RADIAL BALL, 6206	1	1	-	-	HA2,HEA2,HEA8,HKS8,HX26,HX8,HXQ4	
15	96100-63020-00	BEARING, RADIAL BALL, 6302	1	1	-	-	HA2,HEA2,HEA8,HKS8,HX26,HX8,HXQ4	

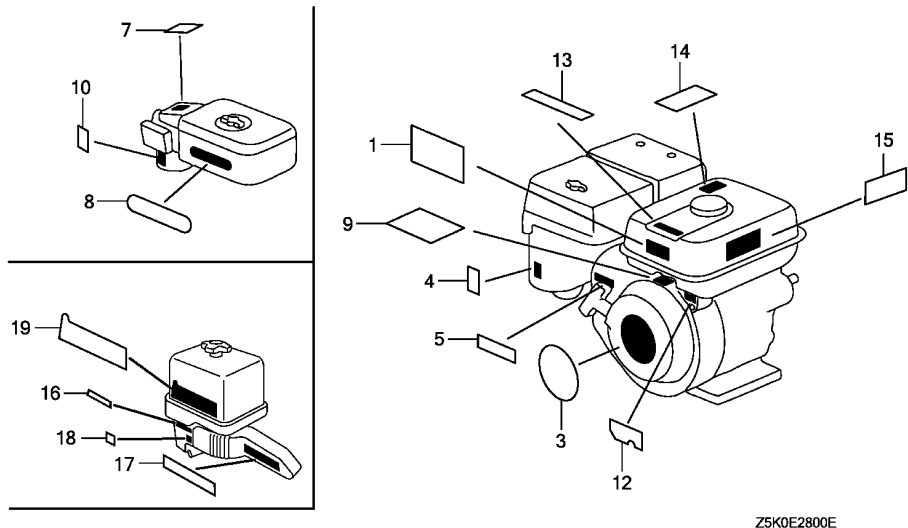


Z5K0E2800E

Ref. No.	L.O.N.	(Relative ref. Number) Description	F.R.T.
----------	--------	------------------------------------	--------

Ref. No.	Part No.	Description	Reqd. QTY				Serial No.	Parts catalogue code
			GX 270 UT	GX 270 UT2	GX 270 RT	GX 270 RT2		
1	87516-Z4H-810	MARK, OPERATOR CAUTION (PICTOGRAPH)(MADE IN THAI)	(1)	-	-	-	HA2,HEA2,HEA8,HKS8,HX26,HX8,HXQ4,LXE8,LXQ4,LXU,PA2,PAE2,PX26,PXE8,PXED,PXU,QA2,QA26,QAE2,QAE6,QAG2,QAQ4,QAR2,QAW,QE,QH26,QHB4,QHQ4,QKE4,QME2,QSC9,QSE8,QWA4,QWH2,QXB6,QXB7,QXB9,QXC4,QXC6,QXC9,QXE4,QXE8,QXQ4,QXU,QXUZ,RA2,RH26,RHE4,RHQ4,RXQ4,RXU,SHQ4,SMC4,SME1,SME6,SWA4,SWC4,SWS4,SXB7,SXB9,SXE4,SXE8,SXQ4,SXU,VA2,VKQ4,VSD7,VSD9,VX2,VXB7,VXB9,VXE6,VXE7,VXE9,VXQ4,VXU1	
	87516-Z4H-000	MARK, OPERATOR CAUTION (ENGLISH)(MADE IN THAI)	1	-	-	-	HA2,HEA2,HEA8,HKS8,HX26,HX8,HXQ4,LXE8,LXQ4,LXU,PA2,PAE2,PX26,PXE8,PXED,PXU,QA2,QA26,QAE2,QAE6,QAG2,QAQ4,QAR2,QAW,QE,QH26,QHB4,QHQ4,QME2,QSC9,QSE8,QWA4,QWH2,QXB6,QXB7,QXB9,QXC4,QXC6,QXC9,QXE4,QXE8,QXQ4,QXU,QXUZ,RA2,RH26,RHE4,RHQ4,RXQ4,RXU,SHQ4,SMC4,SME1,SME6,SWA4,SWC4,SWS4,SXB7,SXB9,SXE4,SXE8,SXQ4,SXU,VA2,VKQ4,VSD7,VSD9,VX2,VXB7,VXB9,VXE6,VXE7,VXE9,VXQ4,VXU1	
	87519-Z4H-000	MARK, OPERATOR CAUTION (PICTOGRAPH)	1	-	-	-	QA4,QXCU	
	87516-Z4H-010	MARK, OPERATOR CAUTION (ENGLISH)(MADE IN THAI)	1	-	-	-	QXB2,QXC2,RHE2,SMC2,SWA2	
3	87521-ZH9-040	EMBLEM(GX270)	1	-	-	-	HA2,HEA2,HEA8,HKS8,HX26,HX8,HXQ4,LXQ4,PA2,PAE2,PX26,PXED,QA4,QAE2,QAE6,QAQ4,QAR2,QAW,QE,QHB4,QME2,QSC9,QWA4,QWH2,QXB2,QXB6,QXB9,QXC2,QXC4,QXC6,QXCU,QXE4,QXUZ,RA2,RH26,RHE2,RHE4,RHG4,RHQ4,RXQ4,RXU,SMC2,SMC4,SME1,SME6,SWA2,SWA4,SWC4,SWS4,SXB7,SXB9,SXE4,VA2,VKQ4,VMA4,VME4,VSD9,VXE6,VXE7,VXE9,LXE8,LXU,PXE8,PXU,QA2,QA26,QAG2,QH26,QHQ4,QSE8,QXB7,QXC9,QXE8,QXQ4,QXU,SHQ4,SXE8,SXQ4,SXU,VKX4,VN17,VPX4,VPX5,VPX9,VS37,VS39,VSD7,VSH7,VWA2,VX2,VXB7,VXB9,VXQ4,VXU1	1085869
	87521-ZH9-030	EMBLEM(GX270 9.0)	1	-	-	-	LXE8,LXU,PXE8,PXU,QA2,QA26,QAG2,QH26,QHQ4,QSE8,QXB7,QXC9,QXE8,QXQ4,QXU,SHQ4,SXE8,SXQ4,SXU,VKX4,VN17,VPX4,VPX5,VPX9,VS37,VS39,VSD7,VSH7,VWA2,VX2,VXB7,VXB9,VXQ4,VXU1	1085870
	87521-ZH9-040	EMBLEM(GX270)	1	-	-	-	LXE8,LXU,PXE8,PXU,QA2,QA26,QAG2,QH26,QHQ4,QSE8,QXB7,QXC9,QXE8,QXQ4,QXU,SHQ4,SXE8,SXQ4,SXU,VKX4,VN17,VPX4,VPX5,VPX9,VS37,VS39,VSD7,VSH7,VWA2,VX2,VXB7,VXB9,VXQ4,VXU1	





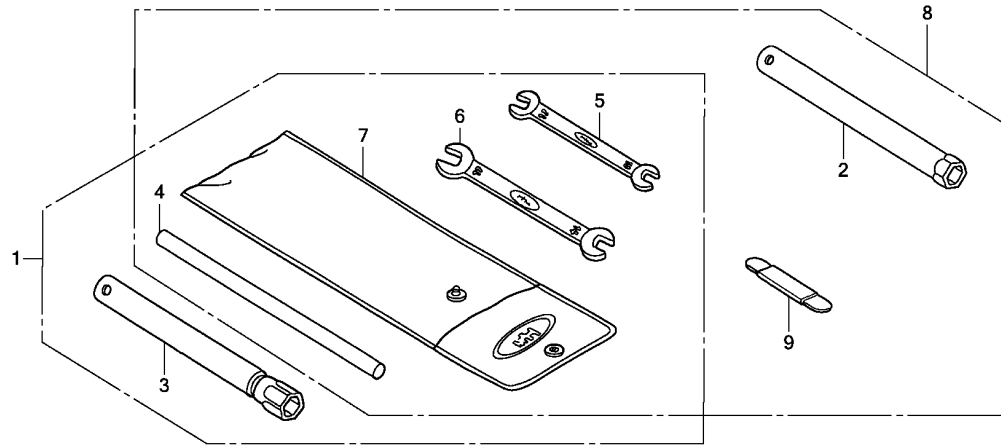
Z5K0E2800E

Ref. No.	Part No.	Description	Reqd. QTY				Serial No.	Parts catalogue code
			GX 270 UT	GX 270 UT2	GX 270 RT	GX 270 RT2		
(3)	87521-Z5K-000	EMBLEM(GX270)	-	1	-	1	-----	HA2,HEA2,HKS8,HX26,HX8,HXQ4,LXQ4,LXU,PA2,PAE2,PX26,PXE8,PXED PXU,QA2,QA26,QA4,QAE2,QAG2,QAQ4,QAR2,QAW,QE,QH26,QHB4,QHQ4 QME2,QSC9,QSE8,QWA4,QWH2,QXB6,QXB7,QXB9,QXC4,QXC6,QXC9,QXCU QXE4,QXE8,QXEM,QXQ4,QXU,QXUZ,RA2,RDG4,RH26,RHE4,RHE5,RHG4,RHQ4 RHQ5,RSC2,RXQ4,RXU,SAX4,SHQ4,SHQ5,SMC4,SME1,SME6,SMX2,SWA4 SWC4,SWS4,SBX7,SBX9,SXE4,SXQ4,SXU,VA2,VDE2,VKB2,VKE4,VKQ4,VKX4 VMA4,VME4,VMT2,VN17,VNT2,VPE4,VPE5,VPX4,VPX5,VS37,VSD7,VWT4 VX2,VXB7,VXE6,VXE7,VXE9,VXQ4,VXU1,WKT,WMT8
	87521-ZH9-040	-----	-	-	1	-	-----	
4	87528-ZH7-000	MARK, CHOKE (GRAY)	1	-	1	-	-----	HA2,HEA2,HEA8,HKS8,HX26,HX8,HXQ4,LXE8,LXQ4,LXU,PA2,PAE2,PX26 PXE8,PXED,PXU,QA2,QA26,QA4,QAE2,QAQ4,QAR2,QAW,QE,QH26,QHB4,QHQ4 QME2,QSE8,QXB2,QXB6,QXB7,QXB9,QXE4,QXE8,QXQ4 QXU,QXUZ,RA2,RH26,RHE2,RHE4,RHG4,RHQ4,RSC2,RXQ4,RXU,SHQ4,SMC2 SMC4,SME1,SME6,SWA2,SWA4,SWC4,SWS4,SBX7,SBX9,SXE4,SXE8,SXQ4 SXU,VA2,VAG2,VDE2,VKB2,VKQ4,VN17,VNT2,VSD7,VSD9,VSH7,VW12,VWA2 VWN2,VWT4,VX2,VXB7,VXB9,VXE6,VXE7,VXE9,VXQ4,VXU1
	87528-Z5T-000	MARK, CHOKE	-	1	-	1	-----	HA2,HEA2,HKS8,HX26,HX8,HXQ4,LXQ4,LXU,PA2,PAE2,PX26,PXE8,PXED PXU,QA2,QA26,QA4,QAE2,QAG2,QAQ4,QAR2,QAW,QE,QH26,QHB4,QHQ4 QME2,QSC9,QSE8,QWA4,QWH2,QXB6,QXB7,QXB9,QXC4,QXC6,QXC9,QXCU QXE4,QXE8,QXEM,QXQ4,QXU,QXUZ,RA2,RDG4,RH26,RHE4,RHE5,RHG4,RHQ4 RHQ5,RSC2,RXQ4,RXU,SAX4,SHQ4,SHQ5,SMC4,SME1,SME6,SMX2,SWA4 SWC4,SWS4,SBX7,SBX9,SXE4,SXQ4,SXU,VA2,VDE2,VKB2,VKQ4,VMA4,VME4 VN17,VNT2,VSD7,VWT4,VX2,VXB7,VXE6,VXE7,VXE9,VXQ4,VXU1,WKT,WMT8 QZK4
	87528-ZH7-000	MARK, CHOKE (GRAY)	-	1	-	-	-----	

Ref. No.	Part No.	Description	Reqd. QTY				Serial No.	Parts catalogue code
			GX 270 UT	GX 270 UT2	GX 270 RT	GX 270 RT2		
5	87532-ZH7-000	MARK, THROTTLE INDICATION ...	1	1	1	1	HA2,HEA2,HEA8,HKS8,HX26,HX8,HXQ4,LXE8,LXQ4,LXU,PA2,PAE2,PX26 PXE8,PXED,PXU,QA2,QA26,QA4,QAE2,QAE6,QAG2,QAQ4,QAR2,QAW,QE QH26,QHB4,QHQ4,QME2,QSC9,QSE8,QWA4,QWH2,QXB2,QXB6,QXB7,QXB9 QXC2,QXC4,QXC6,QXC9,QXCU,QXE4,QXE8,QXEM,QXQ4,QXU,QXUZ,QZK4,RA2 RDG4,RH26,RHE2,RHE4,RHE5,RHG4,RHQ4,RHQ5,RSC2,RXQ4,RXU,SAX4 SHQ4,SHQ5,SMC2,SMC4,SME1,SME6,SMX2,SWA2,SWA4,SWC4,SWS4,SXB7 SXB9,SXE4,SXE8,SXQ4,SXU,VA2,VDE2,VKQ4,VMA4,VME4,VN17,VWN2,VX2 VXB7,VXB9,VXE6,VXE7,VXE9,VXQ4,WKT,WMT8	
7	87534-ZE1-841	LABEL, AIR CLEANER CAUTION ..	1	-	-	-	QSC9,QWA4,QWH2,QXC4,QXC6,QXC9,QXCU	
8	87535-ZE1-841	MARK, AIR CLEANER SALES POINT	1	1	-	-	QSC9,QWA4,QWH2,QXC2,QXC4,QXC6,QXC9,QXCU,VMA4,VME4	
9	87516-Z4H-810	MARK, OPERATOR CAUTION (PICTOGRAPH)(MADE IN THAI)	(1)	-	(1)	-	RHG4,RSC2,VAG2,VDE2,VKB2,VKE4,VKX4,VMA4,VME4,VN17,VNT2,VPE4 VPE5,VPX4,VPX5,VPX9,VS37,VS39,VSH7,VW12,VWA2,VWN2,VWT4	
	87516-Z4H-000	MARK, OPERATOR CAUTION (ENGLISH)(MADE IN THAI)	1	-	1	-	RHG4,RSC2,VAG2,VDE2,VKX4,VN17,VNT2,VPE4,VPE5,VPX4,VPX5,VPX9 VS37,VS39,VSH7,VW12,VWA2,VWN2,VWT4	
	87516-Z4H-010	.....	-	1	1	-	PXE8,QXEM,SMX2,VPE2,WKT,WMT8	
	87519-Z4H-000	MARK, OPERATOR CAUTION (PICTOGRAPH)	-	-	-	1	RSC2,VDE2,VMT2,VN17,VNT2	
10	87528-ZH7-000	MARK, CHOKE(GRAY) .....	1	-	-	-	VKX4,VPE4,VPE5,VPX4,VPX5,VS37,VWT4 QSC9,QWA4,QWH2,QXC2,QXC4,QXC6,QXC9,QXCU,VMA4,VME4	
12	87532-ZH9-W41	MARK, ENGINE SWITCH .....	1	-	1	1	VS37,VS39	
13	87565-ZE2-810	MARK, FUEL INDICATION(ENGLISH)	1	-	-	-	QKE4,QSC9,VKQ4	
	87565-ZE2-811	MARK, FUEL INDICATION (PICTOGRAPH)	-	1	-	-	QKE4,QSC9,QZK4	
14	87539-Z0J-000	MARK, EX. CAUTION(ENGLISH) ..	1	-	-	-	QXB2,QXC2,RHE2,SMC2,SWA2 HA2,HEA2,HKS8,HX26,HX8,LXU,PA2,PAE2,PX26,PXE8,PXED,PXU,PZX8 QA2,QA26,QAE2,QAG2,QAR2,QAW,QH26,QSC9,QSE8,QWH2,QXB6,QXC6,QXC9 QXE8,QXEM,QXU,QXUZ,QZA2,QZAV,RA2,RH26,RXU,SMX2,SXU,VA2,VX2 VXE6,VXU1,WKT,WMT8	
15	87519-Z4H-000	MARK, OPERATOR CAUTION (PICTOGRAPH)	-	1	-	1	HXQ4,LXQ4,QA4,QAQ4,QE,QHB4,QHQ4,QME2,QWA4,QXB7,QXB9,QXC4,QXCU QXE4,QXQ4,QZM2,QZMH,QZX4,QZXR,RDG4,RHE4,RHE5,RHG4,RHQ4,RHQ5 RXQ4,SHQ4,SHQ5,SMC4,SME1,SME6,SWA4,SWC4,SWS4,SXB7,SXB9,SXE4 SXQ4,VKQ4,VSD7,VXB7,VXE7,VXE9,VXQ4,VZX7	
	87516-Z4H-010	MARK, OPERATOR CAUTION (ENGLISH)(MADE IN THAI)	-	1	-	-	HA2,HEA2,HKS8,HX26,HX8,LXU,PA2,PAE2,PX26,PXED,PXU,PZX8,QA2 QA26,QAE2,QAG2,QAR2,QAW,QH26,QSC9,QSE8,QWH2,QXB6,QXC6,QXC9 QXE8,QXU,QXUZ,QZA2,QZAV,RA2,RH26,RXU,SXU,VA2,VX2,VXE6,VXU1	
	87519-ZH7-000	MARK, OPERATOR CAUTION (PICTOGRAPH)	-	1	-	-	SAX4	
16	87528-Z2E-800	MARK, CHOKE .....	-	1	-	-	PZX8,QZA2,QZAV,QZM2,QZMH,QZX4,VZX7	
17	87531-Z5K-W00	MARK, HONDA .....	-	1	-	-	PZX8,QZA2,QZAV,QZX4,QZXR,VZX7	
	87531-Z5T-W00	MARK(HONDA) .....	-	1	-	-	QZM2,QZMH	
18	87565-Z5T-W00	MARK, FUEL .....	-	1	-	-	PZX8,QZA2,QZAV,QZK4,QZM2,QZMH,QZX4,QZXR,VZX7	
19	87602-Z5K-W00	MARK, SALES POINT .....	-	1	-	-	PZX8,QZA2,QZAV,QZM2,QZMH,QZX4,QZXR,VZX7	



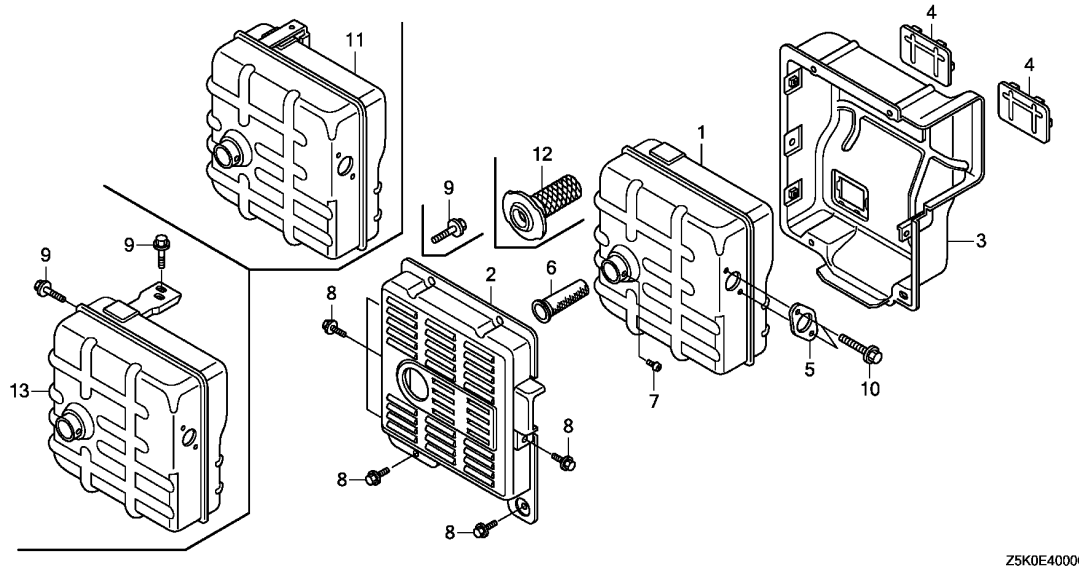




Z5K0E2900A

Ref. No. L.O.N. (Relative ref. Number) Description F.R.T.

Ref. No.	Part No.	Description	Reqd. QTY				Serial No.	Parts catalogue code
			GX 270 UT	GX 270 UT2	GX 270 RT	GX 270 RT2		
1	89000-ZE1-000	TOOL KIT .....	1	1	-	-	-----	VKQ4
2	89216-Z0T-800	WRENCH, SPARK PLUG .....	1	1	1	1	-----	QSC9, SMC2, SMC4, SMX2, VDE2, VKE4, VKX4, WKT, WMT8
			(1)	-	(1)	(1)	-----	HA2, HEA2, HEA8, HKS8, PA2, PAE2, QA26, QAE2, QAE6, QAG2, QAQ4, QAR2, QAW
							-----	QE, RA2, RSC2, VA2, VAG2, VKB2, VN17, VNT2, VW12, VWA2, VWN2
				(1)	-	-	-----	HA2, HEA2, HKS8, PA2, PAE2, QA2, QA26, QA4, QAE2, QAG2, QAQ4, QAR2, QAW, QE
							-----	QZA2, QZAV, RA2, VA2
3	89218-ZE1-000	WRENCH COMP., SPARK PLUG .....	1	1	-	-	-----	VKQ4
			(1)	-	-	-	-----	QA2, QA4
4	89219-805-000	HANDLE, BOX WRENCH .....	1	1	-	-	-----	VKQ4, WMT8
5	99001-10120	SPANNER, 10X12 .....	1	1	-	-	-----	VKQ4
	89212-KWW-601	.....	-	1	-	-	-----	WMT8
6	99001-14170	SPANNER, 14X17 .....	1	1	-	-	-----	VKQ4
	89214-KWW-601	.....	-	1	-	-	-----	WMT8
7	99008-02300	BAG, TOOL, 230MM .....	1	1	-	-	-----	VKQ4, WMT8
8	89000-Z0T-800	TOOL KIT .....	-	1	-	-	-----	WMT8
9	89210-ZF1-000	GAUGE ASSY., THICKNESS .....	-	1	-	-	-----	WMT8

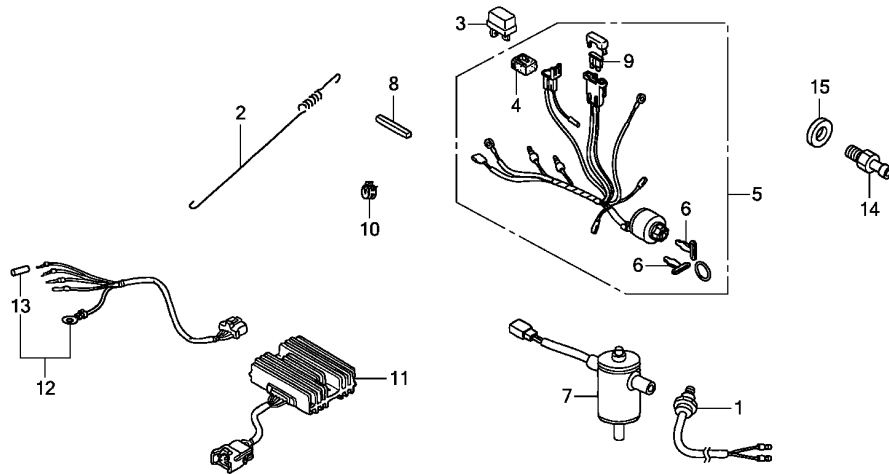


Z5K0E4000C

Ref. No.	L.O.N.	(Relative ref. Number) Description	F.R.T.
----------	--------	------------------------------------	--------

Ref. No.	Part No.	Description	Reqd. QTY				Serial No.	Parts catalogue code
			GX 270 UT	GX 270 UT2	GX 270 RT	GX 270 RT2		
1	18310-ZE2-V60 18310-Z8W-V60	MUFFLER COMP.(TSURUMI) .....	1	-	1	-	VKX4 VKE4	
2	18320-ZB4-000	PROTECTOR, MUFFLER OUTER ....	-	-	-	1	VKE4, VKX4	
3	18325-ZB4-000	PROTECTOR, MUFFLER INNER ....	1	-	1	1	VKE4, VKX4	
4	18329-ZB4-000	SEAL, MUFFLER PROTECTOR .....	1	-	1	1	VKE4, VKX4	
5	18333-ZB4-800 18333-ZB4-801	GASKET, EX. PIPE .....	1	-	1	-	VKE4, VKX4, VPE4 VPE2	
6	18355-ZB4-630	ARRESTER, SPARK .....	-	-	-	1	VKE4, VKX4, VMT2, VPE4, VPX4, VS37	
7	90055-ZE1-000 90002-ZE2-U91 90002-Z0T-800	SCREW, TAPPING, 4X6 .....	(1)	-	(1)	-	VKE4, VKX4, VPE2, VPE4 VKX4 VKE4, VPE2, VPE4	
8	95701-06012-00	BOLT, FLANGE, 6X12 .....	8	-	8	8	VKE4, VKX4, VMT2, VPE4, VPX4, VS37	
9	95701-08016-08	BOLT, FLANGE, 8X16 .....	2	-	2	-	VKE4, VKX4, VPE2, VPE4 VKE4, VKX4, VMT2, VPE4, VPX4, VS37	
10	95701-08020-08 95701-08020-00	BOLT, FLANGE, 8X20 .....	2	-	2	-	VKE4, VKX4, VPE2, VPE4 VKE4, VKX4, VMT2, VPE4, VPX4 VS37	
11	18310-Z1D-800	MUFFLER COMP.(SDMO) .....	-	-	-	1	VMT2, VPE2, VPE4	
12	18355-ZE2-010	ARRESTER, SPARK .....	-	-	-	(1)	VKE4, VPE2, VPE4	
13	18310-ZH9-V02	MUFFLER COMP.(SDMO) .....	-	-	-	1	VPX4, VS37	

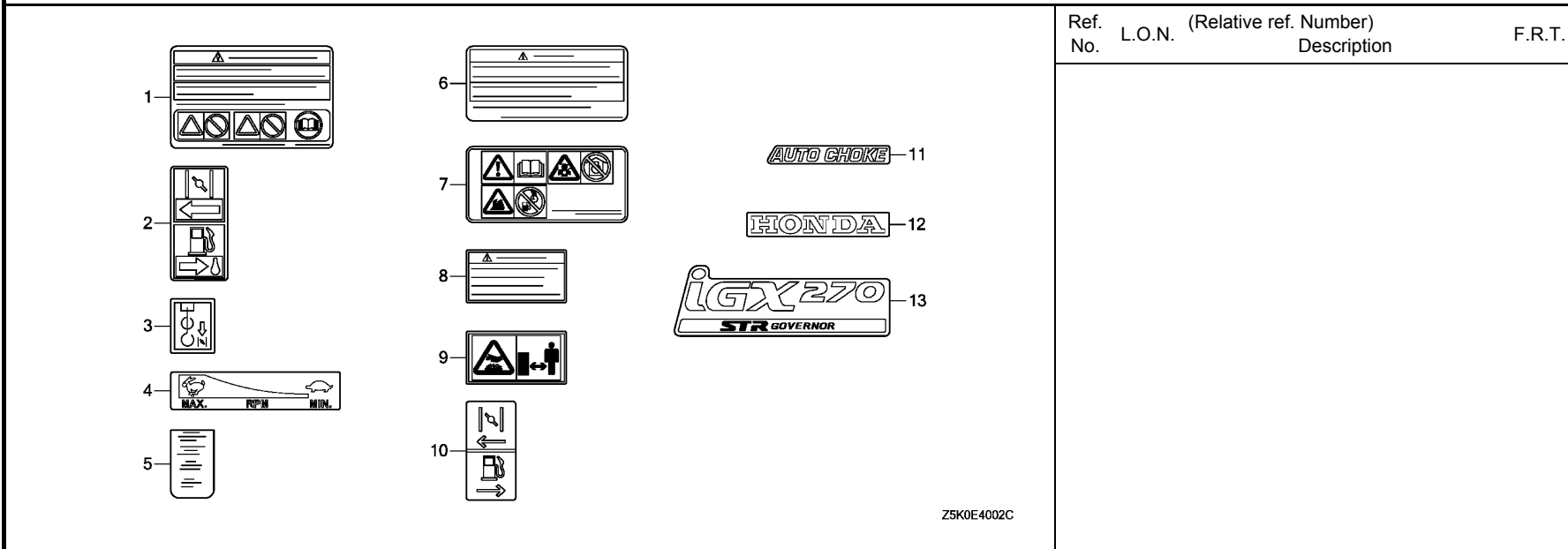




Z5K0E4001C

Ref. No. L.O.N. (Relative ref. Number) Description F.R.T.

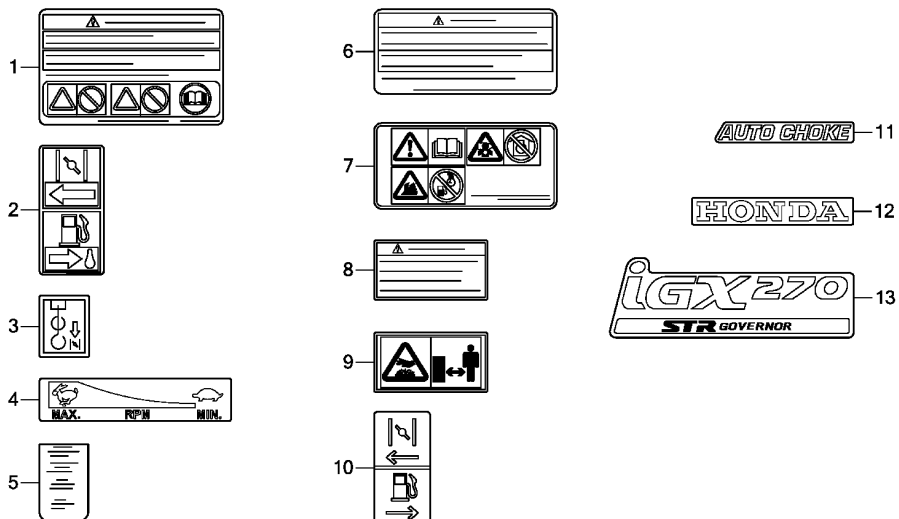
Ref. No.	Part No.	Description	Reqd. QTY				Serial No.	Parts catalogue code
			GX 270 UT	GX 270 UT2	GX 270 RT	GX 270 RT2		
1	16500-ZE2-703	SWITCH, THERMO .....	-	-	1	1	-----	VKE4
2	16561-ZE2-A00	SPRING, GOVERNOR .....	1	1	-	-	-----	VXB7, VXB9, VXE7, VXE9
	16561-ZH9-U30	.....	1	-	1	1	-----	VPE5, VPX5, VPX9
3	31700-124-008	RECTIFIER ASSY., SILICON (SHINDENGEN) .....	-	-	1	1	-----	VKE4
4	32127-738-700	SUSPENSION, COUPLER .....	-	-	1	1	-----	VKE4
5	35100-ZE2-843	SWITCH ASSY., COMBINATION (3A-CHARGE) .....	-	-	1	-	-----	VKE4
	35100-Z5T-821	.....	-	-	-	1	-----	VKE4
6	35111-880-013	KEY COMP. ....	-	-	2	2	-----	VKE4
7	36170-ZB4-013	VALVE ASSY., SOLENOID .....	-	-	1	1	-----	VKE4
8	90741-889-810	KEY, 7X7X33(YELLOW)(O.S.) .....	1	-	-	1	-----	RDG4, RHG4
9	98200-31500	FUSE, BLADE(15A) .....	-	-	1	-	-----	VKE4
	98200-30500	FUSE, BLADE(5A) .....	-	-	-	1	-----	VKE4
10	95002-40800-08	CLAMP, TUBE(D8) .....	-	-	-	1	-----	VS37
11	31750-Z0A-811	RECTIFIER ASSY., REGULATOR ..	-	1	-	-	-----	QZM2
	31750-Z2E-803	RECTIFIER ASSY., REGULATOR (20A) .....	-	1	-	-	-----	QZMH
12	32105-ZJ1-800	HARNESS ASSY., SUB WIRE .....	-	1	-	-	-----	QZM2, QZMH
13	32824-ZV5-003	PLUG, OUTER CONNECTOR .....	-	1	-	-	-----	QZM2, QZMH
14	90131-ZE3-790	PLUG, OIL DRAIN .....	-	1	-	-	-----	SMX2
15	94109-12000	WASHER, DRAIN PLUG, 12MM .....	-	1	-	-	-----	SMX2



Z5K0E4002C

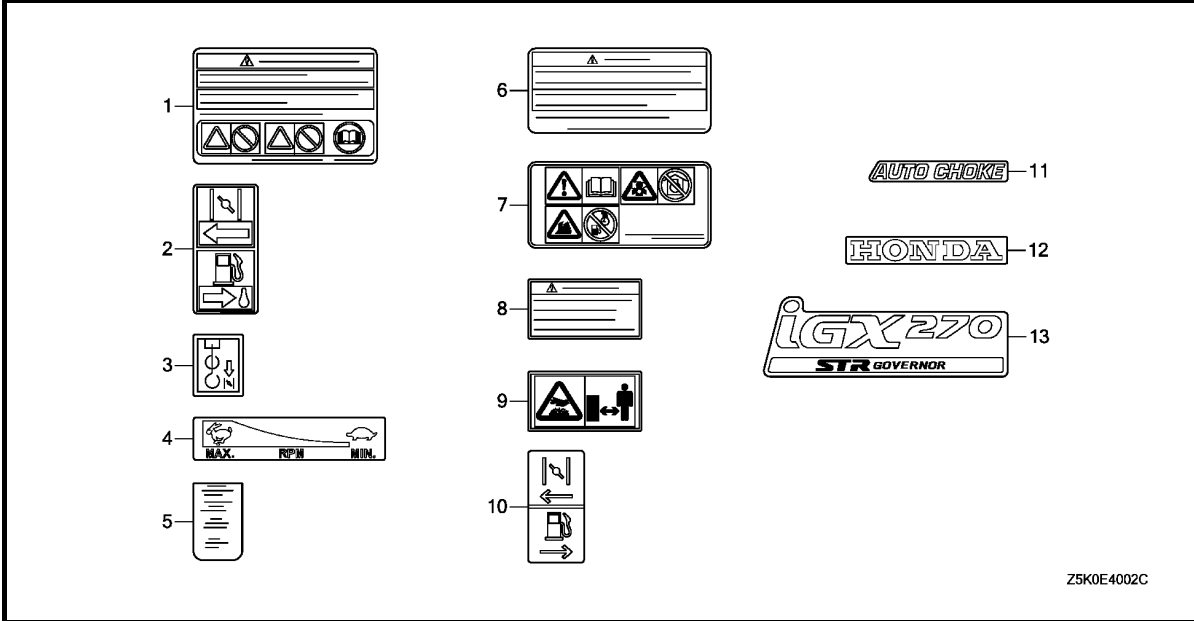
Ref. No.	Part No.	Description	Reqd. QTY				Serial No.	Parts catalogue code
			GX 270 UT	GX 270 UT2	GX 270 RT	GX 270 RT2		
1	87516-Z4H-800	MARK, OPERATOR CAUTION(FRENCH) (MADE IN THAI)	1	-	1	-	HA2,HEA2,HEA8,HKS8,HX26,HX8,HXQ4,LXE8,LXQ4,LXU,PA2,PAE2,PX26 PXE8,PXED,PXU,QA2,QA26,QAE2,QAE6,QAG2,QAQ4,QAR2,QAW,QE,QH26 QHB4,QHQ4,QKE4,QME2,QSC9,QSE8,QWA4,QWH2,QXB6,QXB7,QXB9,QXC4 QXC6,QXC9,QXE4,QXE8,QXQ4,QXU,QXUZ,RA2,RH26,RHE4,RHG4,RHQ4,RSC2 RXQ4,RXU,SHQ4,SMC4,SME1,SME6,SWA4,SWC4,SWS4,SXB7,SXB9,SXE4 SXE8,SXQ4,SXU,VA2,VAG2,VDE2,VKB2,VKE4,VKQ4,VKX4,VMA4,VME4,VN17 VNT2,VPE4,VPE5,VPX4,VPX5,VPX9,VS37,VS39,VSD7,VSD9,VSH7,VW12 VWA2,VWN2,VWT4,VX2,VXB7,VXB9,VXE6,VXE7,VXE9,VXQ4,VXU1	
	87516-Z4H-000	MARK, OPERATOR CAUTION (ENGLISH)(MADE IN THAI)	1	-	1	-	QKE4,VKB2,VKE4,VMA4,VME4	
2	87528-ZH7-000	MARK, CHOKE(GRAY)	1	-	-	-	QKE4	
3	87528-898-620	MARK, CHOKE	1	-	1	1	VKE4,VKX4,VMT2,VPE2,VPE4,VPE5,VPX4,VPX5,VPX9,VS37,VS39	
4	87532-ZH7-000	MARK, THROTTLE INDICATION	1	1	-	-	QKE4	
5	87534-ZE1-841	LABEL, AIR CLEANER CAUTION	1	1	-	-	VMA4,VME4	
6	87516-Z4H-801	MARK, OPERATOR CAUTION(FRENCH) (MADE IN THAI)	1	-	1	-	QA4,QXB2,QXC2,QXCU,RHE2,SMC2,SWA2,VPE2	
	87516-Z4H-010	MARK, OPERATOR CAUTION (ENGLISH)(MADE IN THAI)	1	-	-	-	QA4,QXCU	
	87516-Z4H-801	MARK, OPERATOR CAUTION(FRENCH) (MADE IN THAI)	-	1	-	1		
	87516-Z4H-010	MARK, OPERATOR CAUTION (ENGLISH)(MADE IN THAI)	-	1	-	1	HXQ4,LXQ4,QA4,QAQ4,QE,QHB4,QHQ4,QKE4,QME2,QWA4,QXB7,QXB9,QXC4 QXCU,QXE4,QXQ4,QZK4,QZM2,QZMH,QZX4,QZXR,RDG4,RHE4,RHE5,RHG4 RHQ4,RHQ5,RXQ4,SAX4,SHQ4,SHQ5,SMC4,SME1,SME6,SWA4,SWC4,SWS4 SXB7,SXB9,SXE4,SXQ4,VKB2,VKE4,VKQ4,VKX4,VMA4,VME4,VPE4,VPE5 VPX4,VPX5,VS37,VSD7,VWT4,VXB7,VXE7,VXE9,VXQ4,VZX7	





Z5K0E4002C

Ref. No.	Part No.	Description	Reqd. QTY				Serial No.	Parts catalogue code
			GX 270 UT	GX 270 UT2	GX 270 RT	GX 270 RT2		
7	87519-Z4H-000	MARK, OPERATOR CAUTION (PICTOGRAPH)	1	-	1	-	-----	QXB2,QXC2,RHE2,SMC2,SWA2,VPE2 HA2,HEA2,HKS8,HX26,HX8,LXU,PA2,PAE2,PX26,PXE8,PXED,PXU,PZX8 QA2,QA26,QAE2,QAG2,QAR2,QAW,QH26,QKE4,QSC9,QSE8,QWH2,QXB6,QXC6 QXC9,QXE8,QXEM,QXU,QXUZ,QZA2,QZAV,QZK4,RA2,RH26,RXU,SMX2,SXU VA2,VMA4,VME4,VX2,VXE6,VXU1,WKT,WMT8 RSC2,VDE2,VKB2,VKE4,VMT2,VN17,VNT2
8	87539-Z0J-810	MARK, EX. CAUTION(FRENCH) ...	1	-	-	-	-----	QA4,QXB2,QXC2,QXCU,RHE2,SMC2,SWA2
	87539-Z0J-000	MARK, EX. CAUTION(ENGLISH) ..	1	-	-	-	-----	QA4,QXCU
	87539-Z0J-810	MARK, EX. CAUTION(FRENCH) ...	-	1	-	1	-----	HA2,HEA2,HKS8,HX26,HX8,HXQ4,LXQ4,LXU,PA2,PAE2,PX26,PXE8,PXED PXU,PZX8,QA2,QA26,QA4,QAE2,QAG2,QAQ4,QAR2,QAW,QE,QH26,QHB4 QHQ4,QME2,QSC9,QSE8,QWA4,QWH2,QXB6,QXB7,QXB9,QXC4,QXC6,QXC9 QXCU,QXE4,QXE8,QXEM,QXQ4,QXU,QXUZ,QZA2,QZAV,QZM2,QZMH,QZX4 QZXR,RA2,RH26,RHE4,RHE5,RHQ4,RHQ5,RSC2,RXQ4,RXU,SAX4,SHQ4,SHQ5 SMC4,SME1,SME6,SMX2,SWA4,SWC4,SWS4,SXB7,SXB9,SXE4,SXQ4,SXU,VA2 VDE2,VKB2,VKQ4,VMA4,VME4,VN17,VNT2,VSD7,VX2,VXB7,VXE6,VXE7 VXE9,VXQ4,VXU1,VZX7,WKT,WMT8
	87539-Z0J-000	MARK, EX. CAUTION(ENGLISH) ..	-	1	-	1	-----	HXQ4,LXQ4,QA4,QAQ4,QE,QHB4,QH4,QME2,QWA4,QXB7,QXB9,QXC4,QXCU QXE4,QXQ4,QZM2,QZMH,QZX4,QZXR,RHE4,RHE5,RHQ4,RHQ5,RSC2,RXQ4 SAX4,SHQ4,SHQ5,SMC4,SME1,SME6,SWA4,SWC4,SWS4,SXB7,SXB9,SXE4 SXQ4,VDE2,VKB2,VKQ4,VMA4,VME4,VN17,VNT2,VSD7,VXB7,VXE7,VXE9 VXQ4,VZX7
9	87539-Z0J-800	MARK, EX. CAUTION(PICTOGRAPH)	1	-	-	-	-----	QXB2,QXC2,RHE2,SMC2,SWA2 HA2,HEA2,HKS8,HX26,HX8,LXU,PA2,PAE2,PX26,PXE8,PXED,PXU,PZX8 QA2,QA26,QAE2,QAG2,QAR2,QAW,QH26,QSC9,QSE8,QWH2,QXB6,QXC6,QXC9 QXE8,QXEM,QXU,QXUZ,QZA2,QZAV,RA2,RH26,RXU,SMX2,SXU,VA2,VX2 VXE6,VXU1,WKT,WMT8
10	87528-Z5T-000	MARK, CHOKE .....	-	1	-	-	-----	QKE4

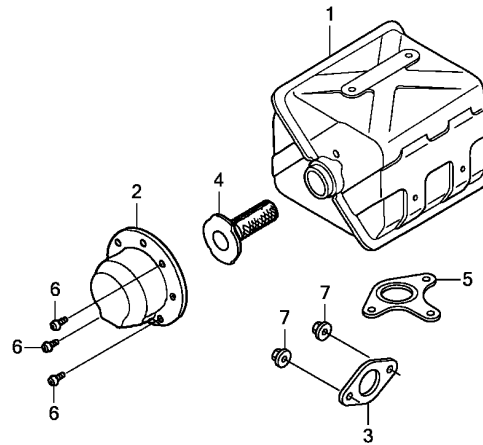


Z5K0E4002C

Ref. No.	Part No.	Description	Reqd. QTY				Serial No.	Parts catalogue code
			GX 270 UT	GX 270 UT2	GX 270 RT	GX 270 RT2		

11	87528-Z2E-800	MARK, CHOKE .....	-	1	-	-	-----	QZK4
12	87531-Z5K-W00	MARK, HONDA .....	-	1	-	-	-----	QZK4
13	87602-Z5K-W00	MARK, SALES POINT .....	-	1	-	-	-----	QZK4





Z5K0E4003A

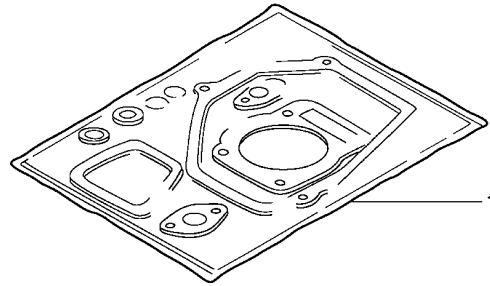
Ref. L.O.N. (Relative ref. Number) F.R.T.  
No. Description

Ref. No.	Part No.	Description	Reqd. QTY				Serial No.	Parts catalogue code
			GX 270 UT	GX 270 UT2	GX 270 RT	GX 270 RT2		
1	18310-Z5K-000	MUFFLER COMP. ....	-	1	-	-	----- QZK4	
2	18331-ZE3-811	CAP, MUFFLER .....	-	1	-	-	----- PXED,QWA4,SAX4,VMA4,VME4	
3	18333-ZK6-Y00	GASKET, EX. PIPE .....	-	1	-	-	----- QZK4	
	18333-Z1C-801	.....	-	-	-	1	----- RDG4,RHG4,VPE5	
	18333-ZE3-801	.....	-	-	-	1	----- VPX5	
4	18355-ZE2-W00	ARRESTER, SPARK .....	-	-	-	1	----- VPE5,VPX5	
5	18381-ZE2-801	GASKET, MUFFLER (NIPPON LEAKLESS)	-	1	-	-	----- QZK4	
6	90055-ZE1-000	SCREW, TAPPING, 4X6 .....	-	3	-	-	----- PXED,QWA4,SAX4,VMA4,VME4	
7	94050-08000	NUT, FLANGE, 8MM .....	-	-	-	2	----- RDG4,RHG4,VPE5,VPX5	

EOP-1

GASKET KIT

L11



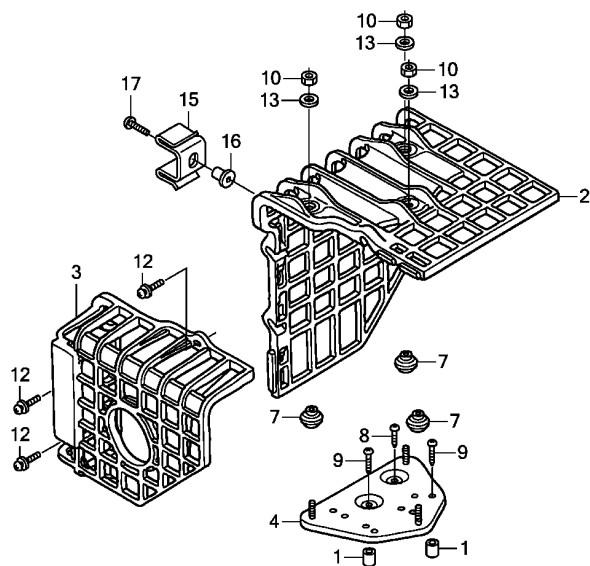
HENG-X0003

Ref. No.	L.O.N.	(Relative ref. Number)	Description	F.R.T.
----------	--------	------------------------	-------------	--------

Ref. No.	Part No.	Description	Reqd. QTY				Serial No.	Parts catalogue code
			GX 270	GX 270	GX 270	GX 270		
1	06111-ZK9-S01	GASKET KIT .....	-	-	(1)	-	----- VNT2	

2





Z5K0X0200C

Ref. No.	L.O.N.	(Relative ref. Number) Description	F.R.T.
----------	--------	------------------------------------	--------

Ref. No.	Part No.	Description	Reqd. QTY				Serial No.	Parts catalogue code
			GX 270	GX 270	GX 270	GX 270		
1	17233-896-701	COLLAR, AIR CLEANER CASE	(2)	-	(2)	(2)	-----	HXQ4, LXQ4, QAQ4, QE, QHB4, QHQ4, QKE4, QME2, QWA4, QXB2, QXB7, QXB9, QXC2, QXC4, QXE4, QXQ4, RDG4, RHE2, RHE4, RHG4, RHQ4, RXQ4, SHQ4, SMC2, SMC4, SME1, SME6, SWA2, SWA4, SWC4, SWS4, SXB7, SXB9, SXE4, SXQ4, VKQ4, VMA4, VME4, VMT2, VN17, VPE2, VPE4, VPX4, VS37, VSD7, VSD9, VSH7, VWT4, VXB7, VXB9, VXE7, VXE9, VXQ4
			-	(2)	-	-	-----	HXQ4, LXQ4, QE, QKE4, QWA4, QXB9, QXC4, QZK4, QZM2, QZMH, QZX4, QZX7, RHE5, RHQ5, RXQ4, SAX4, SHQ5, SME1, SME6, SWA4, SWS4, SXB7, SXB9, SXE4, VMA4, VME4, VXE9, VXQ4, VZX7
2	18433-Z5T-000	COVER COMP., MUFFLER	(1)	-	(1)	-	-----	HXQ4, LXQ4, QE, QKE4, QME2, QWA4, QXB2, QXB7, QXB9, QXC2, QXC4, QXE4, QXQ4, RXQ4, SMC2, SMC4, SME1, SME6, SWA2, SWA4, SWC4, SWS4, SXB7, SXB9, SXE4, SXQ4, VMA4, VME4, VN17, VPE2, VPE4, VPX4, VS37, VSD7, VSD9, VSH7, VWT4, VXB7, VXB9, VXE7, VXE9, VXQ4
	18433-ZK9-W40	.....	(1)	-	-	-	-----	QAQ4, QHB4, QHQ4, RHE2, RHE4, RHG4, RHQ4, SHQ4, VKQ4
	18433-ZK9-W41	.....	-	(1)	-	(1)	-----	HXQ4, LXQ4, QWA4, QXC4, QZK4, QZM2, QZMH, QZX7, RDG4, RHE5, RHG4, RHQ5, RXQ4, SHQ5, SME1, SME6, SWS4, SXB9, VMA4, VME4, VMT2, VPE4, VPX4, VS37, VXE9, VXQ4
	18433-Z5T-000	.....	-	(1)	-	-	-----	QE, QKE4, QXB9, QZX4, SAX4, SWA4, SXB7, SXE4, VZX7
			-	-	-	(1)	-----	VN17, VWT4
3	18434-Z5T-000	COVER COMP., RR. MUFFLER	(1)	-	(1)	-	-----	HXQ4, LXQ4, QE, QKE4, QME2, QWA4, QXB2, QXB7, QXB9, QXC2, QXC4, QXE4, QXQ4, RXQ4, SMC2, SMC4, SME1, SME6, SWA2, SWA4, SWC4, SWS4, SXB7, SXB9, SXE4, SXQ4, VMA4, VME4, VN17, VPE2, VPE4, VPX4, VS37, VSD7, VSD9, VSH7, VWT4, VXB7, VXB9, VXE7, VXE9, VXQ4
	18434-ZK9-W41	.....	(1)	-	-	-	-----	QAQ4, QHB4, QHQ4, RHE2, RHE4, RHG4, RHQ4, SHQ4, VKQ4
			-	(1)	-	(1)	-----	HXQ4, LXQ4, QWA4, QXC4, QZK4, QZM2, QZMH, QZX7, RDG4, RHE5, RHG4, RHQ5, RXQ4, SHQ5, SME1, SME6, SWS4, SXB9, VMA4, VME4, VMT2, VPE4, VPX4, VS37, VXE9, VXQ4
	18434-Z5T-000	.....	-	(1)	-	-	-----	QE, QKE4, QXB9, QZX4, SAX4, SWA4, SXB7, SXE4, VZX7
			-	-	-	(1)	-----	VN17, VWT4

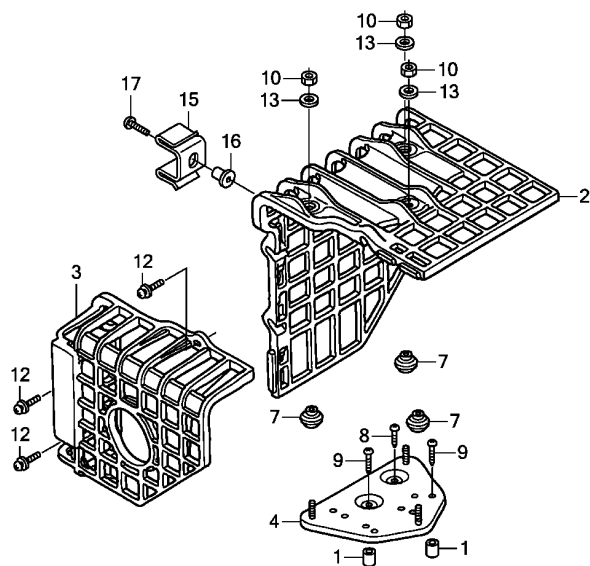
**EOP-2**

**MUFFLER COVER**

**L13**

Ref. No.	Part No.	Description	Reqd. QTY				Serial No.	Parts catalogue code
			GX 270 UT	GX 270 UT2	GX 270 RT	GX 270 RT2		
4	18436-ZH8-W40	BASE COMP., MUFFLER COVER ...	(1)	-	(1)	(1)	HXQ4, LXQ4, QAQ4, QE, QHB4, QHQ4, QKE4, QME2, QWA4, QXB2, QXB7, QXB9, QXC2, QXC4, QXE4, QXQ4, RHE2, RHE4, RHG4, RHQ4, RXQ4, SHQ4, SMC2, SMC4, SME1, SME6, SWA2, SWA4, SWC4, SWS4, SXB7, SXB9, SXE4, SXQ4, VKQ4, VMA4, VME4, VMT2, VN17, VPE2, VPE4, VPX4, VS37, VSD7, VSD9, VSH7, VWT4, VXB7, VXB9, VXE7, VXE9, VXQ4	
	18436-ZH8-W41	.....	-	(1)	-	(1)	QZX4, QZX7, RDG4, SHQ5	
	18436-ZH8-W40	.....	-	(1)	-	-	HXQ4, LXQ4, QE, QKE4, QWA4, QXB9, QXC4, QZK4, QZM2, QZMH, QZX4, RHE5, RHQ5, RXQ4, SAX4, SME1, SME6, SWA4, SWS4, SXB7, SXB9, SXE4, VMA4, VME4, VXE9, VXQ4, VZX7	
7	18466-ZH8-W40	SPACER, MUFFLER COVER .....	(3)	-	(3)	(3)	HXQ4, LXQ4, QAQ4, QE, QHB4, QHQ4, QKE4, QME2, QWA4, QXB2, QXB7, QXB9, QXC2, QXC4, QXE4, QXQ4, RDG4, RHE2, RHE4, RHG4, RHQ4, RXQ4, SHQ4, SMC2, SMC4, SME1, SME6, SWA2, SWA4, SWC4, SWS4, SXB7, SXB9, SXE4, SXQ4, VKQ4, VMA4, VME4, VMT2, VN17, VPE2, VPE4, VPX4, VS37, VSD7, VSD9, VSH7, VWT4, VXB7, VXB9, VXE7, VXE9, VXQ4	
			-	(3)	-	-	HXQ4, LXQ4, QE, QKE4, QWA4, QXB9, QXC4, QZK4, QZM2, QZMH, QZX4, QZX7, RHE5, RHQ5, RXQ4, SAX4, SHQ5, SME1, SME6, SWA4, SWS4, SXB7, SXB9, SXE4, VMA4, VME4, VXE9, VXQ4, VZX7	
8	90050-ZE1-000	SCREW, TAPPING, 5X8 .....	(1)	-	(1)	(1)	HXQ4, LXQ4, QAQ4, QE, QHB4, QHQ4, QKE4, QME2, QWA4, QXB2, QXB7, QXB9, QXC2, QXC4, QXE4, QXQ4, RDG4, RHE2, RHE4, RHG4, RHQ4, RXQ4, SHQ4, SMC2, SMC4, SME1, SME6, SWA2, SWA4, SWC4, SWS4, SXB7, SXB9, SXE4, SXQ4, VKQ4, VMA4, VME4, VMT2, VN17, VPE2, VPE4, VPX4, VS37, VSD7, VSD9, VSH7, VWT4, VXB7, VXB9, VXE7, VXE9, VXQ4	
			-	(1)	-	-	HXQ4, LXQ4, QE, QKE4, QWA4, QXB9, QXC4, QZK4, QZM2, QZMH, QZX4, QZX7, RHE5, RHQ5, RXQ4, SAX4, SHQ5, SME1, SME6, SWA4, SWS4, SXB7, SXB9, SXE4, VMA4, VME4, VXE9, VXQ4, VZX7	
9	90050-ZH8-W40	SCREW, TAPPING, 5X25 .....	(2)	-	(2)	(2)	HXQ4, LXQ4, QAQ4, QE, QHB4, QHQ4, QKE4, QME2, QWA4, QXB2, QXB7, QXB9, QXC2, QXC4, QXE4, QXQ4, RDG4, RHE2, RHE4, RHG4, RHQ4, RXQ4, SHQ4, SMC2, SMC4, SME1, SME6, SWA2, SWA4, SWC4, SWS4, SXB7, SXB9, SXE4, SXQ4, VKQ4, VMA4, VME4, VMT2, VN17, VPE2, VPE4, VPX4, VS37, VSD7, VSD9, VSH7, VWT4, VXB7, VXB9, VXE7, VXE9, VXQ4	
			-	(2)	-	-	HXQ4, LXQ4, QE, QKE4, QWA4, QXB9, QXC4, QZK4, QZM2, QZMH, QZX4, QZX7, RHE5, RHQ5, RXQ4, SAX4, SHQ5, SME1, SME6, SWA4, SWS4, SXB7, SXB9, SXE4, VMA4, VME4, VXE9, VXQ4, VZX7	
10	90302-KF9-900	NUT, HEX., 5MM .....	(3)	-	(3)	(3)	HXQ4, LXQ4, QAQ4, QE, QHB4, QHQ4, QKE4, QME2, QWA4, QXB2, QXB7, QXB9, QXC2, QXC4, QXE4, QXQ4, RDG4, RHE2, RHE4, RHG4, RHQ4, RXQ4, SHQ4, SMC2, SMC4, SME1, SME6, SWA2, SWA4, SWC4, SWS4, SXB7, SXB9, SXE4, SXQ4, VKQ4, VMA4, VME4, VMT2, VN17, VPE2, VPE4, VPX4, VS37, VSD7, VSD9, VSH7, VWT4, VXB7, VXB9, VXE7, VXE9, VXQ4	
			-	(3)	-	-	HXQ4, LXQ4, QE, QKE4, QWA4, QXB9, QXC4, QZK4, QZM2, QZMH, QZX4, QZX7, RHE5, RHQ5, RXQ4, SAX4, SHQ5, SME1, SME6, SWA4, SWS4, SXB7, SXB9, SXE4, VMA4, VME4, VXE9, VXQ4, VZX7	
12	93891-06020-07	SCREW-WASHER, 6X20 .....	(3)	-	(3)	(3)	HXQ4, LXQ4, QAQ4, QE, QHB4, QHQ4, QKE4, QME2, QWA4, QXB2, QXB7, QXB9, QXC2, QXC4, QXE4, QXQ4, RDG4, RHE2, RHE4, RHG4, RHQ4, RXQ4, SHQ4, SMC2, SMC4, SME1, SME6, SWA2, SWA4, SWC4, SWS4, SXB7, SXB9, SXE4, SXQ4, VKQ4, VMA4, VME4, VMT2, VN17, VPE2, VPE4, VPX4, VS37, VSD7, VSD9, VSH7, VWT4, VXB7, VXB9, VXE7, VXE9, VXQ4	
			-	(3)	-	-	HXQ4, LXQ4, QE, QKE4, QWA4, QXB9, QXC4, QZK4, QZM2, QZMH, QZX4, QZX7, RHE5, RHQ5, RXQ4, SAX4, SHQ5, SME1, SME6, SWA4, SWS4, SXB7, SXB9, SXE4, VMA4, VME4, VXE9, VXQ4, VZX7	
13	94103-05700	WASHER, PLAIN, 5MM .....	(3)	-	(3)	(3)	HXQ4, LXQ4, QAQ4, QE, QHB4, QHQ4, QKE4, QME2, QWA4, QXB2, QXB7, QXB9, QXC2, QXC4, QXE4, QXQ4, RDG4, RHE2, RHE4, RHG4, RHQ4, RXQ4, SHQ4, SMC2, SMC4, SME1, SME6, SWA2, SWA4, SWC4, SWS4, SXB7, SXB9, SXE4, SXQ4, VKQ4, VMA4, VME4, VMT2, VN17, VPE2, VPE4, VPX4, VS37, VSD7, VSD9, VSH7, VWT4, VXB7, VXB9, VXE7, VXE9, VXQ4	
			-	(3)	-	-	HXQ4, LXQ4, QE, QKE4, QWA4, QXB9, QXC4, QZK4, QZM2, QZMH, QZX4, QZX7, RHE5, RHQ5, RXQ4, SAX4, SHQ5, SME1, SME6, SWA4, SWS4, SXB7, SXB9, SXE4, VMA4, VME4, VXE9, VXQ4, VZX7	

**2**



Z5K0X0200C

Ref. No.	Part No.	Description	Reqd. QTY				Serial No.	Parts catalogue code
			GX 270 UT	GX 270 UT2	GX 270 RT	GX 270 RT2		
15	18437-Z5T-000	STAY, MUFFLER COVER .....	(1)	-	(1)	(1)	-----	HXQ4, LXQ4, QAQ4, QE, QHB4, QHQ4, QKE4, QME2, QWA4, QXB2, QXB7, QXB9, QXC2, QXC4, QXE4, QXQ4, RDG4, RHE2, RHE4, RHG4, RHQ4, RXQ4, SHQ4, SMC2, SMC4, SME1, SME6, SWA2, SWA4, SWC4, SWS4, SXB7, SXB9, SXE4, SXQ4, VKQ4, VMA4, VME4, VMT2, VN17, VPE2, VPE4, VPX4, VS37, VSD7, VSD9, VSH7, VWT4, VXB7, VXB9, VXE7, VXE9, VXQ4
			-	(1)	-	-	-----	HXQ4, LXQ4, QE, QKE4, QWA4, QXB9, QXC4, QZK4, QZM2, QZMH, QZX4, QZXR, RHE5, RHQ5, RXQ4, SAX4, SHQ5, SME1, SME6, SWA4, SWS4, SXB7, SXB9, SXE4, VMA4, VME4, VXE9, VXQ4, VZX7
16	19619-ZL8-300	COLLAR, FAN COVER .....	(1)	-	(1)	(1)	-----	HXQ4, LXQ4, QAQ4, QE, QHB4, QHQ4, QKE4, QME2, QWA4, QXB2, QXB7, QXB9, QXC2, QXC4, QXE4, QXQ4, RDG4, RHE2, RHE4, RHG4, RHQ4, RXQ4, SHQ4, SMC2, SMC4, SME1, SME6, SWA2, SWA4, SWC4, SWS4, SXB7, SXB9, SXE4, SXQ4, VKQ4, VMA4, VME4, VMT2, VN17, VPE2, VPE4, VPX4, VS37, VSD7, VSD9, VSH7, VWT4, VXB7, VXB9, VXE7, VXE9, VXQ4
			-	(1)	-	-	-----	HXQ4, LXQ4, QE, QKE4, QWA4, QXB9, QXC4, QZK4, QZM2, QZMH, QZXR, RHE5, RHQ5, RXQ4, SAX4, SHQ5, SME1, SME6, SWA4, SWS4, SXB7, SXB9, SXE4, VMA4, VME4, VXE9, VXQ4
17	90006-Z5T-000	SCREW, TAPPING, 6X25 .....	(1)	-	(1)	(1)	-----	HXQ4, LXQ4, QAQ4, QE, QHB4, QHQ4, QKE4, QME2, QWA4, QXB2, QXB7, QXB9, QXC2, QXC4, QXE4, QXQ4, RDG4, RHE2, RHE4, RHG4, RHQ4, RXQ4, SHQ4, SMC2, SMC4, SME1, SME6, SWA2, SWA4, SWC4, SWS4, SXB7, SXB9, SXE4, SXQ4, VKQ4, VMA4, VME4, VMT2, VN17, VPE2, VPE4, VPX4, VS37, VSD7, VSD9, VSH7, VWT4, VXB7, VXB9, VXE7, VXE9, VXQ4
			-	(1)	-	-	-----	HXQ4, LXQ4, QE, QKE4, QWA4, QXB9, QXC4, QZK4, QZM2, QZMH, QZX4, QZXR, RHE5, RHQ5, RXQ4, SAX4, SHQ5, SME1, SME6, SWA4, SWS4, SXB7, SXB9, SXE4, VMA4, VME4, VXE9, VXQ4, VZX7

# PART NO. INDEX

M 1

Part Number	Address	Page	Ref.	Part Number	Address	Page	Ref.	Part Number	Address	Page	Ref.	Part Number	Address	Page	Ref.
06000				12209-ZE8-003	F10	60	1	13111-Z5K-000	F9	59	3	15000			
06111-ZK9-S01	L11	157	1	12210-Z5K-405	E1	35	1	13111-ZE2-000	F9	59	3	16024-Z5T-901	G9	75	6
11000				12216-ZE2-300	E1	35	4	13200-Z1D-000	F9	59	4		H2	84	6
11300-Z1D-000	E10	44	1	12251-Z1D-801	E1	35	5	13200-Z1D-305	F9	59	4	15510-ZE2-043	E6	40	2
11300-Z1D-600	E10	44	1	12251-Z5K-003	E1	35	5	13200-ZE2-305	F9	59	4	15510-ZE2-053	E6	40	2
11300-Z1D-810	E10	44	1	12251-ZH9-000	E1	35	5	13310-Z5K-W10	F4	54	2	15600-Z0T-820	E10	44	3
11300-Z1D-820	F2	52	1	12310-Z5T-000	E2	36	6	13310-Z5K-W40	F4	54	4		E11	45	3
11300-Z5K-W10	E13	47	18	12310-ZE2-020	E1	35	6	13310-ZH9-010	F4	54	1	16028-Z5T-901	G10	76	7
11300-Z5K-W60	F1	51	18		E2	36	6	13310-ZH9-601	F4	54	2		H2	84	7
11300-ZE2-612	E14	48	1	12310-ZE3-791	E1	35	6	13310-ZH9-611	F4	54	3	16028-ZA0-931	H4	86	7
11300-ZE2-622	E14	48	1	12315-ZE3-840	E3	37	13	13310-ZH9-631	F5	55	10	16028-ZE0-005	G10	76	7
11300-ZE2-632	E16	50	2	12357-Z5T-010	E4	38	17	13310-ZH9-651	F4	54	4		H2	84	7
11300-ZK9-U60	F2	52	1	12357-Z5T-020	E4	38	17	13310-ZH9-671	F4	54	5	16044-Z8T-W01	H6	88	8
11381-Z5K-000	E10	44	2	12391-ZE2-020	E2	36	7	13310-ZH9-701	F5	55	9	16044-ZE2-005	G10	76	8
	E14	48	2					13310-ZH9-801	F4	54	1	16045-Z5T-W01	H6	88	9
	E16	50	2	13000				13310-ZH9-811	F4	54	2	16100-Z1D-W21	G11	77	9
	F2	52	2	13010-Z1D-801	F7	57	1	13310-ZH9-821	F4	54	3	16100-Z5H-V02	H2	84	8
11381-ZE2-801	E10	44	2	13010-Z5H-004	F6	56	1	13310-ZH9-831	F4	54	4	16100-Z5K-702	G11	77	9
	E14	48	2		F7	57	1	13310-ZH9-841	F4	54	5	16100-Z5K-721	G11	77	9
	E16	50	1	13010-Z5K-003	F6	56	1	13310-ZK9-010	F4	54	1	16100-Z5K-731	G11	77	9
11400-Z1D-600	E16	50	2		F7	57	1	13310-ZK9-601	F4	54	2	16100-Z5K-801	G11	77	9
11400-Z1D-670	F2	52	1	13010-Z5K-004	F7	57	1	13310-ZK9-671	F4	54	5	16100-Z5K-811	G11	77	9
11400-Z8S-000	E16	50	2	13011-Z1D-801	F7	57	1	13310-ZK9-801	F4	54	5	16100-Z5K-821	G11	77	9
11400-ZE2-603	E16	50	2	13011-Z5H-004	F6	56	1	13351-ZE2-010	F4	54	6	16100-Z5K-831	G11	77	9
11400-ZE2-623	E14	48	1		F7	57	1					16100-Z5K-R61	H2	84	8
11500-Z8S-610	K13	143	1	14000								16100-Z5K-V01	H2	84	8
11500-Z8S-620	K16	146	1	14100-Z5K-810	F10	60	2	15721-Z23-H60	H16	98	1	16100-Z5K-V11	H4	86	8
11500-ZE2-610	K13	143	1	14100-Z5K-820	F10	60	2	15721-ZB4-000	H12	94	1	16100-Z5K-W01	H6	88	10
11521-ZE2-800	K13	143	2	14100-Z5K-910	F12	62	19	16000				16100-Z5K-W02	H6	88	10
	K16	146	2	14100-Z5K-920	F12	62	19	16010-ZE2-015	G8	74	1	16100-Z5K-Y01	G11	77	9
				14100-ZE3-020	F10	60	2	16010-ZE2-812	G8	74	1	16100-ZBC-822	H2	84	8
				14100-ZH9-010	F10	60	2		H6	88	1	16100-ZH9-W01	G11	77	9
				14100-ZK3-870	F10	60	2	16010-ZE3-701	H4	86	1	16100-ZK9-R62	H2	84	8
				14100-ZK3-880	F10	60	2	16010-ZF5-900	H2	84	1	16110-Z5K-W01	H6	88	11
				14100-ZK9-870	F10	60	2	16011-ZA0-931	G8	74	2	16110-Z5K-W02	H6	88	11
				14100-ZK9-880	F10	60	2		H2	84	2	16111-Z5T-W01	H6	88	12
				14410-Z1D-000	F10	60	3		H4	86	2	16112-Z5T-W01	H6	88	13
				14411-ZE2-611	K13	143	3	16013-Z1C-003	G8	74	3	16113-Z5T-W01	H6	88	14
				14431-ZE2-010	F10	60	4		G9	75	3	16115-Z5T-W01	H6	88	15
				14441-ZE2-000	F10	60	5		H2	84	3	16116-Z5T-W01	H6	88	16
				14451-ZE1-013	F10	60	6		H4	86	3	16117-Z5T-W01	H6	88	17
				14568-ZE1-000	F11	61	7		H4	86	3	16118-Z5T-W01	H6	88	18
				14711-Z5K-000	F11	61	8	16013-ZA0-931	H6	88	3	16119-Z5T-W01	H6	88	19
				13101-Z5K-000	F9	59	2		G8	74	3	16124-Z5T-W01	H6	88	20
				13101-ZH9-000	F8	58	2		H2	84	3	16124-ZE0-005	G11	77	10
				13101-ZH9-010	F8	58	2	16015-Z5T-901	G9	75	4		H2	84	9
				13102-Z5K-000	F9	59	2		H2	84	4		H4	86	9
				13102-ZH9-000	F8	58	2		H6	88	4	16148-141-881	H2	84	10
				13102-ZH9-010	F8	58	2	16015-ZA0-931	H4	86	4		H4	86	10
					F9	59	2	16015-ZE8-005	G9	75	4	16166-Z1D-D51	H4	86	11
				13103-Z5K-000	F9	59	2		H2	84	4	16166-Z5K-701	G11	77	11
				13103-ZH9-000	F9	59	2	16016-ZH7-W01	G9	75	5	16166-Z5K-Y01	G11	77	11
				13103-ZH9-010	F8	58	2		H2	84	5	16166-Z8T-W01	H6	88	21
					F9	59	2		H4	86	5	16166-ZH9-000	G11	77	11
				13104-Z5K-000	F9	59	2		H6	88	5	16166-ZH9-820	G11	77	11
				13104-ZH9-000	F9	59	2	16016-ZH8-W01	G9	75	5		H2	84	11
				13104-ZH9-010	F8	58	2		H2	84	5		H4	86	11
					F9	59	2	14791-ZE2-010	F11	61	15	16166-ZH9-W00	G11	77	11
					F9	59	2		F12	62	15	16166-ZH9-W20	G11	77	11
					F9	59	2		F12	62	15				

3



# PART NO. INDEX

M 3

Part Number	Address	Page	Ref.	Part Number	Address	Page	Ref.	Part Number	Address	Page	Ref.	Part Number	Address	Page	Ref.
18320-ZE2-W01	I1	99	2		I5	103	5	22000				28410-ZE2-W01ZN	F14	64	2
18320-ZE2-W02	I1	99	2		I10	108	11					28411-Z5T-W01	G2	68	3
18320-ZE2-W61	I4	102	2	18381-Z8S-801	I2	100	8	22103-ZE2-620	K16	146	3	28421-Z5T-W01	G2	68	4
18320-ZE2-W62	I4	102	2		I5	103	10	22121-889-750	K14	144	4	28421-ZE2-W01	F15	65	3
18320-ZF6-W01	I4	102	2		I7	105	8	22201-822-610	K14	144	5	28422-ZE2-W01	F15	65	4
18320-ZF6-W02	I4	102	2		I9	107	10	22311-822-610	K14	144	6		G2	68	5
18323-ZE2-W00	I1	99	3	18381-ZE2-800	I2	100	9	22350-822-610	K14	144	7	28441-ZE2-W01	F15	65	5
	I8	106	3		I5	103	5	22411-822-611	K14	144	8		G2	68	6
18323-ZE2-W60	I3	101	15	18381-ZE2-801	I9	107	10	22421-822-610	K14	144	9	28442-ZE2-W01	F15	65	6
	I5	103	15		L10	156	5	22521-822-610	K14	144	10		G2	68	7
18325-ZB4-000	L5	151	3	18381-ZE2-W10	I2	100	8	22531-889-750	K14	144	11	28443-ZE2-W01	F15	65	7
18325-ZE2-P30	I7	105	3		I5	103	10	22535-822-610	K14	144	12		G2	68	8
18329-ZB4-000	L5	151	4		I7	105	8					28444-ZE2-W01	F16	66	8
18330-ZE2-000	I7	105	4		I9	107	10	23000					G2	68	9
18330-ZE2-700	I6	104	2	18430-ZF6-W50	I5	103	16					28450-ZE2-W11	J2	116	2
	I12	110	1		I11	109	18	23110-ZE2-610	K13	143	4	28451-ZE2-W01	J2	116	3
18330-ZE2-W00	I1	99	4	18430-ZK9-W50	I3	101	18	23120-889-750	K14	144	13	28461-Z5T-003	G1	67	13
18330-ZH9-N00	I3	101	16	18433-Z5T-000	L12	158	2	23161-822-611	K14	144	14		G2	68	10
	I4	102	3	18433-ZK9-W40	L12	158	2	23220-ZE2-621	K16	146	4	28461-Z5T-305	G1	67	13
18331-Z5T-000	I9	107	6	18433-ZK9-W41	L12	158	2	23710-ZE2-610	K13	143	5		G2	68	10
18331-ZE2-810	I1	99	5	18434-Z5T-000	L12	158	3	23710-ZE2-621	K16	146	5	28461-ZE2-W02	F16	66	9
	I5	103	13	18434-ZK9-W41	L12	158	3	23711-822-610	K14	144	15	28461-ZE2-W03	F16	66	9
	I7	105	5	18436-ZH8-W40	L13	159	4					28462-ZE2-W11	G1	67	10
18331-ZE3-811	I7	105	5	18436-ZH8-W41	L13	159	4	25000				28462-ZE3-W01	G2	68	11
	I8	106	5	18437-Z5T-000	L14	160	15					28463-Z5T-003	G1	67	14
	L10	156	2	18466-ZH8-W40	L13	159	7	25620-805-612	K14	144	16		G2	68	12
18333-Z1C-801	I1	99	6					25651-889-750	K14	144	17	28463-Z5T-013	G1	67	14
	I7	105	6	19000									G2	68	12
	I9	107	7					28000				28465-Z5T-W01	G2	68	13
	L10	156	3	19511-ZE2-000	J2	116	1								
18333-ZB4-800	I6	104	3	19512-ZE2-000	J3	117	9	28400-Z5K-003ZA	F13	63	1	30000			
	L5	151	5	19610-Z5K-000ZA	G5	71	2	28400-Z5K-003ZB	F13	63	1				
18333-ZB4-801	L5	151	5	19610-Z5K-000ZB	G5	71	2	28400-Z5K-003ZD	F14	64	1	30201-PH9-004	J14	128	1
18333-ZE3-800	I1	99	6	19610-Z5K-000ZC	G5	71	2	28400-Z5K-013ZA	F13	63	1	30202-PZ1-003	J14	128	2
	I5	103	12	19610-Z5K-000ZD	G5	71	2	28400-Z5K-013ZB	F13	63	1	30421-Z5K-W00	G7	73	4
18333-ZE3-801	L10	156	3	19610-Z5K-820ZA	G5	71	2	28400-Z5K-305ZA	F13	63	1	30500-Z1C-013	J4	118	1
18333-ZF6-W01	I3	101	17	19610-Z5K-820ZB	G5	71	2	28400-Z5T-306ZA	G2	68	1	30500-Z1C-023	J4	118	1
	I4	102	4	19610-Z5K-W00ZA	G7	73	1	28400-Z5T-W01ZA	G2	68	1	30500-Z5K-003	J7	121	18
	I6	104	11	19610-Z5K-W00ZB	G7	73	1	28400-Z5T-W01ZB	G2	68	1		J8	122	1
	I9	107	7	19610-ZE2-010ZC	G4	70	2	28400-Z5T-W03ZA	G2	68	1	30500-Z5K-801	J7	121	18
	I12	110	2	19610-ZE2-010ZD	G5	71	2	28400-Z5T-W03ZB	G2	68	1	30595-Z5T-W01	J8	122	2
18333-ZK6-Y00	I5	103	12	19610-ZE2-010ZF	G4	70	2	28400-ZE2-W01ZB	F13	63	1	30596-Z5T-W00	J8	122	3
	I9	107	7	19610-ZE2-010ZG	G4	70	2		F14	64	1	30700-Z1C-811	J4	118	2
	L10	156	3	19610-ZE2-010ZL	G4	70	2	28400-ZE2-W01ZD	F13	63	1		J8	122	4
18336-ZE3-000	I9	107	8	19610-ZK2-880ZA	G5	71	2	28400-ZE2-W01ZG	F13	63	1	30700-ZF5-013	J6	120	13
18350-Z5T-800	I9	107	9	19610-ZK2-880ZB	G4	70	2	28400-ZE2-W01ZN	F13	63	1				
18355-ZB4-630	I2	100	7	19619-ZL8-300	G7	73	2		F14	64	1	31000			
	I6	104	5		L14	160	16	28400-ZE2-W02ZB	F13	63	1				
	L5	151	6	19630-Z5K-W00	K5	135	35		F14	64	1	31100-ZE2-010	J2	116	4
18355-ZE2-010	I1	99	7	19631-Z5K-000	G5	71	3	28400-ZE2-W02ZN	F13	63	1	31100-ZE2-812	J3	117	11
	I5	103	9		G7	73	3		F14	64	1	31100-ZE2-822	J2	116	5
	I7	105	7	19631-ZE2-D00	G5	71	3	28410-Z5T-W01ZA	G2	68	2	31100-ZE2-832	J3	117	6
	L5	151	12					28410-Z5T-W01ZB	G2	68	2	31100-ZE2-W01	J3	117	10
18355-ZE2-W00	I1	99	7	21000				28410-Z5T-W02ZA	G2	68	2	31110-Z5K-000	J2	116	4
	I2	100	7					28410-Z5T-W02ZB	G2	68	2	31110-Z5K-810	J3	117	11
	I5	103	9	21510-889-750	K14	144	1	28410-ZE2-W01ZB	F14	64	2	31110-Z5K-820	J3	117	5
	L10	156	4	21610-889-750	K14	144	2		F15	65	2	31110-Z5K-840	J3	117	6
18361-ZL0-000	I6	104	6	21691-889-750	K14	144	3	28410-ZE2-W01ZD	F14	64	2	31110-Z5K-850	J3	117	10
18381-Z1C-801	I2	100	9	21691-Z7B-701	K14	144	3	28410-ZE2-W01ZG	F14	64	2	31110-Z5K-W00	J3	117	12





# PART NO. INDEX

Part Number	Address	Page	Ref.	Part Number	Address	Page	Ref.	Part Number	Address	Page	Ref.	Part Number	Address	Page	Ref.	Part Number	Address	Page	Ref.			
90325-044-000	H9	91	11	90745-ZE2-600	F5	55	7															
	H10	92	15		K16	146	9	93500-05016-0A	H5	87	36											
	H11	93	11	90802-Z6L-000	H16	98	12		K4	134	21											
	H15	97	12	90854-ZB3-000	I16	114	18		K5	135	32	94301-12200	K15	145	28							
90380-MA6-010	K8	138	16					93500-05028-0A	K4	134	22	94305-20062	K16	146	11							
	K10	140	14	91000				93500-05035-0A	K4	134	23	94305-20122	E3	37	12							
90380-MB2-000	K12	142	16					93600-05010-0A	J1	115	25	94540-02010	K6	136	10							
90401-ZE2-620	K16	146	6	91001-ZH9-003	F5	55	8	93891-04008-08	K12	142	19		G15	81	25							
90402-ZE2-620	K16	146	7	91201-889-003	F1	51	13	93891-04010-08	K12	142	20	94540-04010	H3	85	37							
90403-889-000	K14	144	18	91201-890-003	F1	51	13	93891-04020-07	J10	124	3		H5	87	39	96100-63020-00						
90403-ZH9-003	J13	127	21		E7	41	8	93891-06020-07	L13	159	12	94540-04018	H5	87	40							
90413-ZK6-880	F12	62	18		F1	51	13	93892-05012-18	H5	87	37	94540-07010	K6	136	11							
90431-ZE2-700	H3	85	31		F3	53	14	93892-05032-18	J13	127	23		H3	85	39							
	H5	87	32		K13	143	8	93893-04020-08	K12	142	21		H5	87	41	98079-55846	E3					
	H5	87	32		K14	144	21	93893-05016-00	H1	83	36	95000										
90432-ZE2-700	H3	85	32	91201-Z1D-003	E7	41	8	93913-24310	K12	142	22					98079-55855	E3					
	H5	87	33		E13	47	13	93913-25580	G7	73	11	95001-45222-40	I15	113	9							
90433-ZE2-700	H3	85	33		F1	51	13					95002-02070	H3	85	40	98079-55876	E3					
	H5	87	34		F3	53	14	94000					H5	87	42	98079-56855	E4					
90434-ZE2-700	H3	85	34		K13	143	8	94001-04390-0s	K9	139	22	95002-02080	I15	113	10	98079-56876	E3					
	H5	87	35		K16	146	10		K10	140	19	95002-40800-08	I16	114	12	98200-30500	K9					
90441-ZE2-010	E2	36	10	91202-Z2F-801	K14	144	22	94050-05000	H12	94	11	95005-11100-30	L6	152	10	98200-31500	K9					
90446-KE1-000	E7	41	7	91301-805-000	K15	145	23	94050-06000	G3	69	16	95005-35055-10	H3	85	41							
90473-147-000	F2	52	11	91309-Z6L-000	E9	43	21		H9	91	12	95005-35075-10	H5	87	43	98200-43000	K12					
90473-842-000	K13	143	6	91353-671-004	E7	41	9		H10	92	16		H3	85	42							
	K16	146	8		I15	113	7		H11	93	12	95701-06012-00	H5	87	44	99000						
90534-706-010	F5	55	11	91406-ZE2-003	K9	139	19		H12	94	12		E8	42	13	99001-10120	L4					
90551-ZE1-000	F9	59	6		K10	140	17		H15	97	14	95701-06032-08	H16	98	14	99001-14170	L4					
90601-Z5T-W00	K12	142	17	91424-Z4J-801	J1	115	19		H16	98	13	95701-06050-08	K15	145	29	99008-02300	L4					
90602-ZE1-000	E12	46	11	91424-Z4J-802	J1	115	19		K4	134	24	95701-08016-08	L6	104	9	99101-ZH8-0800	G15					
	E14	48	11	91424-Z4J-821	I15	113	9	94050-06080	H12	94	13		L5	151	9	99101-ZH8-0820	G15					
	F1	51	11	91424-Z4J-822	I15	113	9	94050-08000	I3	101	13	95701-08020-00	L5	151	10	99101-ZH8-0850	G16					
	F2	52	12	91424-Z5F-801	I15	113	9		I5	103	8		L5	151	10							
90605-230-000	H1	83	33	91424-Z5F-802	I15	113	9		I6	104	8	95701-08020-08	L5	151	10							
	K5	135	30	91424-Z5J-801	J1	115	20		I7	105	12		L5	151	10							
90630-751-000	E8	42	15	91424-Z5J-802	J1	115	20		I11	109	16	95701-08025-00	L5	151	10	99101-ZH8-0880	G16					
	J7	121	20	91424-Z5K-003	I15	113	9		I12	110	3		K13	143	10							
	K9	139	17	91502-ZB4-701	K6	136	8		I15	113	8		K16	146	12							
	K10	140	15	91541-S0A-003	K5	135	37		L10	156	7	95701-08032-08	K15	145	30							
90634-ZL8-000	H1	83	34	91565-SEL-003	K12	142	18	94050-10000	E7	41	10	95701-08035-00	E13	47	15	99101-ZH8-0900	G16					
90634-ZL8-H00	H9	91	13	91601-ZE2-003	J13	127	22	94070-06080	J13	127	24		E14	48	14							
	H11	93	14					94070-08080	J14	128	21		F1	51	15	99101-ZH8-0920	G16					
	H12	94	16	92000				94101-04800	K9	139	23	95701-08040-00	F3	53	16							
	H15	97	13						K11	141	20		K13	143	11							
90672-SA0-003	K9	139	18	92101-08025-0A	F5	55	12	94101-06800	E13	47	14		K13	143	11							
	K10	140	16	92101-08035-0A	K15	145	24		E14	48	13	95701-10040-00	K16	146	13							
90684-ZA0-601	J6	120	12	92800-12000	K15	145	25		F1	51	14		J14	128	22	99101-ZH8-0950	G16					
90701-HC4-000	E12	46	12	92900-08032-0E	E3	37	11		F3	53	15	95701-10080-00	E3	37	14	99101-ZH8-0980	G16					
	E14	48	12					94103-05000	H3	85	36											
	F1	51	12	93000					H5	87	38	96000										
	F3	53	13					94103-05700	L13	159	13											
90741-805-000	F5	55	7	93500-03006-1H	G15	81	24	94109-12000	E7	41	11	96100-62020-00	E8	42	14							
	K13	143	7		H7	89	37		K15	145	26		E14	48	17							
	K14	144	19	93500-03012-0H	K9	139	20		L6	152	15		F1	51	16							
90741-889-000	K14	144	20	93500-04006-0H	H1	83	35	94111-04800	K9	139	24		F3	53	18							
	F5	55	7		K5	135	31		K11	141	21		E14	48	15							
90741-889-810	K13	143	7	93500-04012-0H	K9	139	21		K15	145	27	96100-62040-00	K15	145	31							
	K14	144	19		K10	140	18	94111-08800	E7	41	12	96100-62050-00	E13	47	16							
	L6	152	8	93500-05008-0A	K6	136	9	94251-10000	K13	143	9	96100-62060-00										
90741-ZE2-000	J3	117	8	93500-05012-0A	H3	85	35	94301-08140														



# PART NAME INDEX

N 1

Part name	Address	Page	Ref.	Part name	Address	Page	Ref.	Part name	Address	Page	Ref.
[ A ]				BOLT, DRAIN PLUG, 12MM .....	K15	145	25	BOLT, STUD .....	G7	73	7
ALERT UNIT, OIL .....	E6	40	4	BOLT, DRAIN PLUG, 12X15 .....	E7	41	6	BOLT, STUD, 8X106 .....	E2	36	9
	K8	138	9	BOLT, FLANGE, 10X40 .....	J14	128	22	BOLT, STUD, 8X123 .....	E2	36	9
	K10	140	9	BOLT, FLANGE, 10X80 .....	E3	37	14	BOLT, STUD, 8X131.5 .....	E2	36	9
ARMATURE COMP. ....	J12	126	11	BOLT, FLANGE, 5X18 .....	H16	98	11	BOLT, STUD, 8X22 .....	E3	37	11
	J14	128	14	BOLT, FLANGE, 6X10 .....	G1	67	12	BOLT, STUD, 8X32 .....	E3	37	11
ARM COMP., GOVERNOR .....	K4	134	25		I16	114	17	BOLT, STUD, 8X98 .....	E2	36	9
ARM, CHOKE .....	H6	88	13	BOLT, FLANGE, 6X12 .....	E6	40	5	BOLT, THROUGH .....	J14	128	13
ARM, GOVERNOR .....	J15	129	1		E8	42	13	BOX ASSY., CONTROL .....	K7	137	1
ARM, MANUAL START .....	H6	88	9		E9	43	19		K9	139	26
ARM, VALVE ROCKER .....	F10	60	4		G5	71	6				27
ARRESTER COMP., SPARK .....	I9	107	9		G7	73	9		K10	140	2
ARRESTER, SPARK .....	I1	99	7		I2	100	10		K11	141	23
	I2	100	7		I5	103	17		K12	142	1
	I5	103	9		I10	108	13	BRACKET A, HARNESS .....	E9	43	17
	I6	104	5		J5	119	9	BRACKET B, HARNESS .....	J8	122	3
	I7	105	7		J8	122	12	BRACKET, CASE MOUNTING .....	K7	137	3
	L5	151	6		K3	133	17		K10	140	4
			12		K5	135	36	BRACKET, CENTER .....	J11	125	6
			12		K6	136	7	BRACKET, FR. ....	J11	125	7
AUTO-THROTTLE ASSY. ....	L10	156	4		K8	138	15	BRACKET, SWITCH BOX .....	K12	142	2
	K6	136	3		K10	140	13	BRUSH .....	J12	126	9
[ B ]					K12	142	15		J14	128	10
BAG, TOOL, 230MM .....	L4	150	7	BOLT, FLANGE, 6X16 .....	L5	151	8	BUSH, ARM PIVOT .....	H3	85	29
BAND .....	K8	138	8	BOLT, FLANGE, 6X20 .....	E9	43	20	BUSH, AUTO-THROTTLE LEVER .....	H5	87	30
	K10	140	8	BOLT, FLANGE, 6X25 .....	J9	123	18		K6	136	8
BARREL ASSY., CYLINDER .....	E5	39	1		G7	73	10	[ C ]			
	E6	40	1	BOLT, FLANGE, 6X28 .....	J8	122	14	CAMSHAFT ASSY. ....	F10	60	2
BASE COMP., AIR CLEANER .....	H16	98	6		J5	119	11	CAMSHAFT COMP. ....	F12	62	19
BASE COMP., CONTROL .....	K2	132	13		J6	120	17	CAP ASSY., NOISE SUPPRESSOR .....	J4	118	2
BASE COMP., MUFFLER COVER .....	L13	159	4	BOLT, FLANGE, 6X32 .....	H16	98	14		J6	120	13
BEARING A .....	J14	128	8		J5	119	11		J8	122	4
BEARING B .....	J14	128	9		J6	120	17	CAP ASSY., OIL FILLER .....	E10	44	3
BEARING, RADIAL BALL .....	F5	55	8		J8	122	14		E11	45	3
BEARING, RADIAL BALL, 6202 .....	E8	42	14	BOLT, FLANGE, 6X50 .....	K15	145	29				4
	E14	48	17	BOLT, FLANGE, 8X16 .....	I6	104	9		E14	48	3
	F1	51	16		L5	151	9				4
	F3	53	18	BOLT, FLANGE, 8X20 .....	I6	104	10		E16	50	3
BEARING, RADIAL BALL, 6204 .....	E14	48	15		L5	151	10				4
BEARING, RADIAL BALL, 6205 .....	K15	145	31	BOLT, FLANGE, 8X25 .....	I15	113	11		F2	52	3
BEARING, RADIAL BALL, 6206 .....	E13	47	16		K13	143	10	CAP COMP., FUEL FILLER .....	I14	112	4
	E14	48	16		K16	146	12		J1	115	21
	F1	51	17	BOLT, FLANGE, 8X32 .....	K15	145	30	CAP, CHOKE DUST .....	H2	84	10
	F3	53	17	BOLT, FLANGE, 8X35 .....	E13	47	15		H4	86	10
	K13	143	12		E14	48	14	CAP, CHOKE LEVER .....	K6	136	1
	K15	145	32		F1	51	15	CAP, MUFFLER .....	I1	99	5
	K16	146	14		F3	53	16		I5	103	13
BEARING, RADIAL BALL, 6302 .....	E14	48	18	BOLT, FLANGE, 8X40 .....	J13	127	25		I7	105	5
	K16	146	15		K13	143	11		I8	106	5
BOLT-WASHER, 5X14 .....	J13	127	19		K16	146	13		L10	156	2
BOLT-WASHER, 6X18 .....	H15	97	10	BOLT, GOVERNOR ARM .....	K3	133	18	CAP, PRE AIR CLEANER .....	H10	92	11
BOLT-WASHER, 6X22 .....	H9	91	10	BOLT, HEAD COVER .....	E2	36	8	CAP, REDUCTION OIL .....	K14	144	16
	H10	92	13	BOLT, HEX., 8X25 .....	F5	55	12	CAP, SEALING .....	H1	83	34
	H11	93	10	BOLT, HEX., 8X35 .....	K15	145	24		H9	91	13
	H15	97	10	BOLT, PIVOT, 8MM .....	F12	62	16		H11	93	14
BOLT B, STUD .....	G7	73	8	BOLT, SPECIAL, 6MM .....	G7	73	6		H12	94	16
BOLT, CONNECTING ROD .....	F9	59	5	BOLT, STUD .....	G7	73	5				

# PART NAME INDEX

Part name	Address	Page	Ref.	Part name	Address	Page	Ref.	Part name	Address	Page	Ref.
CAP, SEALING .....	H15	97	13	CLUTCH COMP., OVERRUNNING .....	J14	128	6	COVER ASSY., REDUCTION CASE...	K16	146	1
	H16	98	12	COIL ASSY., CHARGE .....	J5	119	5	COVER COMP., AIR CLEANER.....	H10	92	5
CARBURETOR ASSY. ....	G11	77	9						H12	94	6
	H2	84	8		J6	120	16	COVER COMP., FAN.....	G4	70	2
	H4	86	8		J8	122	8		G5	71	2
	H6	88	10						G7	73	1
CARBURETOR SET .....	H6	88	11	COIL ASSY., IGNITION .....	J4	118	1	COVER COMP., HEAD.....	E1	35	6
CASE COMP., AIR CLEANER .....	H12	94	4		J7	121	18		E2	36	6
			14		J8	122	1	COVER COMP., MUFFLER.....	L12	158	2
CASE COMP., MOTOR .....	H16	98	3	COIL ASSY., LAMP .....	J5	119	5	COVER COMP., RR. MUFFLER.....	L12	158	3
CASE COMP., PRE AIR CLEANER ..	H7	89	29		J6	120	14	COVER, AIR CLEANER.....	H8	90	4
CASE COMP., RECOIL STARTER ...	H10	92	10		J7	121	21		H11	93	4
	F14	64	2	COIL ASSY., POWER .....	J8	122	2		H16	98	8
	F15	65	2	COLLAR B, AIR CLEANER.....	H9	91	8	COVER, AIR CLEANER CASE.....	H13	95	3
	G2	68	2		H10	92	8	COVER, CONTROL.....	K12	142	7
CASE, CONTROL .....	K7	137	2		H11	93	8	COVER, CYLINDER HEAD.....	E2	36	6
	K10	140	3		H15	97	7	COVER, ELECTRONIC PARTS.....	G7	73	4
CASE, REDUCTION .....	K14	144	1		J8	122	15	COVER, RECOIL STARTER.....	G2	68	3
CENTER, CLUTCH .....	K14	144	4	COLLAR SET, CLUTCH STOP .....	J14	128	2	COVER, REDUCTION.....	K14	144	2
CENTER, CLUTCH WEIGHT .....	K14	144	12	COLLAR, AIR CLEANER .....	H9	91	7	COVER, ROPE.....	G2	68	13
CHAIN, DRIVE .....	K14	144	14		H10	92	7	CRANKSHAFT COMP.....	F4	54	1
CHAIN, P.T.O. DRIVE .....	K13	143	3		H11	93	7				
CHAMBER SET, FLOAT .....	G9	75	4		H14	96	6				
	H2	84	4		H16	98	10				
	H4	86	4	COLLAR, AIR CLEANER CASE .....	L12	158	1		F5	55	9
	H6	88	4	COLLAR, CLUTCH STOP .....	J11	125	3				10
CHOKE SET .....	G10	76	8	COLLAR, FAN COVER.....	G7	73	2	CUP, FUEL STRAINER .....	G15	81	23
	H6	88	8		L14	160	16		H7	89	36
CIRCLIP, 5MM .....	H1	83	33	COLLAR, LEVER .....	H3	85	34				
	K5	135	30		H5	87	35	[ D ]			
CLAMPER, CORD .....	J4	118	3	COLLAR, SETTING .....	G11	77	12	DEFLECTOR COMP., MUFFLER.....	I3	101	18
	J6	120	15		H2	84	12		I5	103	16
	J8	122	5	COLLAR, STOPPER .....	K3	133	16		I11	109	18
	J9	123	19	CONTACTOR ASSY. ....	J11	125	4	DIAPHRAGM ASSY. ....	H3	85	24
CLAMP, TUBE .....	I16	114	12	CONTROL ASSY. ....	J16	130	5		H5	87	25
	L6	152	10		K1	131	5	DISK, CLUTCH FRICTION.....	K14	144	5
CLIP A, AIR CLEANER WIRE .....	H12	94	7					DOWEL PIN, 12X20.....	E3	37	12
CLIP B, AIR CLEANER WIRE .....	H12	94	8					DOWEL PIN, 8X12.....	E12	46	12
CLIP, BREATHER TUBE .....	E4	38	16						E14	48	12
CLIP, COUPLER .....	K12	142	18						F1	51	12
CLIP, GOVERNOR HOLDER .....	E12	46	11						F3	53	13
	E14	48	11		K4	134	26	DOWEL PIN, 8X14.....	K13	143	9
	F1	51	11		K5	135	26		K15	145	28
	F2	52	12	CONTROL UNIT, ELECTRONIC .....	J10	124	2		K16	146	11
CLIP, HARNESS .....	J6	120	12	CORD, CHARGE COIL.....	K12	142	3	[ E ]			
CLIP, HARNESS BAND .....	K5	135	37	CORD, EARTH .....	K12	142	4	ELBOW COMP., AIR CLEANER.....	H9	91	9
CLIP, PISTON PIN, 18MM .....	F9	59	6	CORD, STOP SWITCH.....	J5	119	7		H10	92	9
CLIP, PURSE LOCK .....	E8	42	15	COUNTERSHAFT COMP. ....	K16	146	4		H11	93	9
	J7	121	20	COVER .....	J14	128	12		H15	97	8
	K9	139	17	COVER ASSY., CHAIN CASE .....	K13	143	1	ELEMENT COMP., AIR CLEANER .....	H13	95	1
	K10	140	15	COVER ASSY., CRANKCASE .....	E10	44	1		H8	90	2
CLIP, SPECIAL .....	H6	88	17		E13	47	18		H10	92	2
			18		E14	48	1	ELEMENT, AIR CLEANER.....	H10	92	2
CLIP, TUBE .....	G4	70	1		E16	50	2		H11	93	2
	H3	85	40		F1	51	18		H12	94	2
	H5	87	42		F2	52	1		H13	95	1
	I15	113	10	COVER ASSY., FUSE .....	K12	142	12				
CLIP, VALVE GUIDE .....	E1	35	4								
CLUTCH COMP., OVERRUNNING .....	J11	125	5								



# PART NAME INDEX

N 3

Part name	Address	Page	Ref.	Part name	Address	Page	Ref.	Part name	Address	Page	Ref.
ELEMENT, AIR CLEANER .....	H16	98	2	GASKET, EX. PIPE .....	I12	110	2	HARNESS, SUB WIRE .....	K10	140	7
EMBLEM .....	L1	147	3		L5	151	5	HEAD COMP., CYLINDER .....	E1	35	1
	L2	148	3		L10	156	3	HOLDER, BRUSH .....	J12	126	14
E-RING, 2MM .....	H3	85	37	GASKET, MUFFLER .....	I2	100	8		J14	128	19
	H5	87	39					HOLDER, CABLE .....	H1	83	29
E-RING, 4MM .....	H3	85	38		15	103	5		K2	132	11
	H5	87	40						K5	135	28
	K6	136	11		17	105	8	HOLDER, CLUTCH SPRING .....	K14	144	9
E-RING, 7MM .....	H3	85	39		19	107	10	HOLDER, CLUTCH WEIGHT .....	K14	144	11
	H5	87	41		I10	108	11	HOLDER, CONNECTOR .....	J9	123	17
					L10	156	5	HOLDER, GOVERNOR WEIGHT .....	E11	45	8
[ F ]				GAUGE ASSY., FUEL .....	J1	115	24		E14	48	8
FAN, COOLING .....	J2	116	1				28		E16	50	8
FILTER, CUP .....	H1	83	37	GAUGE ASSY., THICKNESS .....	L4	150	9		F2	52	8
	H7	89	35	GAUGE, OIL LEVEL .....	K14	144	17	HOLDER, STOP SWITCH CORD .....	J5	119	8
FILTER, DRAIN TUBE .....	H12	94	10	GEAR, DRIVE PINION .....	J11	125	8	HOLDER, WIRE .....	H1	83	31
FILTER, FUEL .....	I14	112	6	GEAR, MIDDLE .....	H6	88	12		K5	135	29
	J1	115	22	GEAR, PRIMARY DRIVE .....	K16	146	3	HOUSING COMP., DRIVE SIDE .....	J14	128	7
FILTER, OUTER .....	H8	90	3	GEAR, REDUCTION .....	J12	126	13				
	H10	92	3	GOVERNOR ASSY. ....	E11	45	6	[ I ]			
	H11	93	3		E14	48	6	INDICATOR ASSY. ....	K12	142	11
	H13	95	2		E16	50	6	INSULATOR .....	J12	126	16
FLANGE COMP., BAFFLE .....	I9	107	8	GRIP, REINFORCEMENT .....	G1	67	14	INSULATOR, BRUSH HOLDER .....	J14	128	20
FLOAT SET .....	G8	74	3		G2	68	12	INSULATOR, CARBURETOR .....	G12	78	14
	G9	75	3	GRIP, STARTER .....	F16	66	9		H1	83	28
	H2	84	3		G1	67	13		H2	84	13
	H4	86	3	GROMMET, AIR CLEANER .....	G2	68	10		H4	86	13
	H6	88	3		H9	91	5	INSURATOR, CONTROL BASE .....	H7	89	24
FLYWHEEL COMP. ....	J2	116	4		H10	92	6		K5	135	34
			5		H11	93	5	[ J ]			
	J3	117	5		H12	94	15	JET SET, PILOT, #35 .....	H1	83	27
			6		H14	96	4	JET SET, PILOT, #38 .....	H1	83	27
			10	GROMMET, CHOKE ROD .....	H3	85	26		H5	87	46
			11		H5	87	27		H7	89	39
			12	GROMMET, CONTROL BOX .....	K12	142	17	JET SET, PILOT, #40 .....	H1	83	27
			13	GROMMET, CORD .....	J5	119	4		H3	85	44
FRAME COMP., COMMUTATOR END ..	J14	128	16		J8	122	6		H5	87	46
FUSE, BLADE .....	K9	139	25	GROMMET, DRAIN HOLE .....	G5	71	5	JET, MAIN, #80 .....	G15	81	26
	K11	141	22	GROMMET, FENDER .....	H3	85	30	JET, MAIN, #82 .....	G15	81	26
	L6	152	9		H5	87	31	JET, MAIN, #85 .....	G16	82	26
FUSE, MINI .....	K12	142	23	GUIDE, CHOKE ROD .....	H3	85	27		H1	83	26
					H5	87	28	JET, MAIN, #88 .....	H7	89	38
[ G ]				GUIDE, EX. VALVE .....	E1	35	3		H5	87	45
GASKET KIT .....	L11	157	1	GUIDE, IN. VALVE .....	E1	35	2	JET, MAIN, #90 .....	G16	82	26
GASKET SET .....	G8	74	1	GUIDE, PRE AIR CLEANER .....	H10	92	12		H1	83	26
	H2	84	1	GUIDE, PUSH ROD .....	F11	61	15		H3	85	43
	H4	86	1		F12	62	15		H5	87	45
	H6	88	1	[ H ]				JET, MAIN, #92 .....	H7	89	38
GASKET, CYLINDER HEAD .....	E1	35	5	HANDLE, BOX WRENCH .....	L4	150	4		G16	82	26
GASKET, EX. PIPE .....	I1	99	6	HARNES ASSY., ENGINE WIRE .....	J7	121	19		H3	85	43
	I3	101	17		J8	122	9	JET, MAIN, #95 .....	H5	87	45
	I4	102	4	HARNES ASSY., SUB WIRE .....	K9	139	29		G16	82	26
	I5	103	12		K10	140	6	JET, MAIN, #98 .....	G16	82	26
	I6	104	3		L6	152	12	JOINT, FUEL TANK .....	I13	111	2
			11	HARNES, SUB WIRE .....	K7	137	7				
	17	105	6								
	19	107	7								

# PART NAME INDEX

Part name	Address	Page	Ref.	Part name	Address	Page	Ref.	Part name	Address	Page	Ref.
JOINT, ROD .....	H3	85	19	MARK, OIL CAUTION .....	K12	142	24	NUT, HEX., 5MM .....	L13	159	10
	H5	87	20	MARK, OPERATOR CAUTION .....	L1	147	1	NUT, HEX., 8MM .....	J14	128	17
[ K ]					L3	149	9	NUT, PIVOT ADJUSTING .....	F12	62	17
KEY ASSY., COMBINATION SWITCH	K12	142	10		L7	153	1	NUT, PUSH .....	G3	69	15
KEY COMP. ....	K8	138	11		L8	154	7	NUT, SELF-LOCK, 6MM .....	K3	133	20
	K10	140	11	MARK, SALES POINT .....	L3	149	19	NUT, SPECIAL, 16MM .....	J3	117	7
	K12	142	9		L9	155	13	NUT, TANK MOUNTING .....	I16	114	15
	L6	152	6	MARK, THROTTLE INDICATION .....	L3	149	5	NUT, TOOL BOX SETTING .....	H9	91	11
KEY, 6.3X6.3X43 .....	F5	55	7		L7	153	4		H10	92	15
	K16	146	9	MARK, MOTOR ASSY., STARTER .....	J11	125	1		H11	93	11
KEY, 7X7X33 .....	F5	55	7		J14	128	3		H15	97	12
	K13	143	7	MUFFLER COMP. ....	I1	99	1	[ O ]			
	K14	144	19		I4	102	1	OIL SEAL, 30X45X8 .....	F1	51	13
KEY, CLUTCH CENTER .....	L6	152	8		I6	104	1	OIL SEAL, 30X46X8 .....	E7	41	8
KEY, SPECIAL WOODRUFF, 25X18	J3	117	8		I7	105	1		E13	47	13
[ L ]					I8	106	1		F1	51	13
LABEL, AIR CLEANER CAUTION ...	L3	149	7		L5	151	1		F3	53	14
	L7	153	5						K13	143	8
LABEL, FUSE .....	K12	142	13		L10	156	1		K14	144	21
LENS ASSY., PROTECTOR .....	K8	138	13	[ N ]					K16	146	10
LEVER COMP., CHOKE .....	G13	79	18	NETTING, WIRE FLANGE .....	I6	104	6	OIL SEAL, 30X50X7 .....	K14	144	22
LEVER COMP., SOLENOID THROTTLE	K6	136	5	NOSE, SILENCER .....	H9	91	6	O-RING .....	H6	88	23
LEVER, CHOKE .....	H3	85	18		H11	93	6	O-RING, 14MM .....	E7	41	9
	H4	86	19						I15	113	7
	H6	88	14	NOZZLE, MAIN .....	H14	96	5	O-RING, 26X2.7 .....	K15	145	23
LEVER, CHOKE CONTROL .....	G14	80	19		G11	77	11	O-RING, 37.9X2.4 .....	E9	43	21
LEVER, COCK .....	H7	89	31		H2	84	11	[ P ]			
	H7	89	31		H4	86	11	PACKING .....	J13	127	22
LEVER, CONTROL .....	K1	131	8		H6	88	21	PACKING, AIR CLEANER .....	H3	85	23
LEVER, MANUAL START .....	H7	89	28	NUT-WASHER, 6MM .....	J13	127	24		H5	87	24
LEVER, PINION DRIVE .....	J14	128	4	NUT-WASHER, 8MM .....	J14	128	21	PACKING, AIR CLEANER CASE .....	H15	97	9
LIFTER, VALVE .....	F10	60	5	NUT, AIR CLEANER COVER .....	H15	97	11	PACKING, AIR CLEANER COVER .....	H10	92	4
[ M ]				NUT, FLANGE, 10MM .....	E7	41	10	PACKING, CARBURETOR .....	G13	79	16
MARK .....	L3	149	17	NUT, FLANGE, 5MM .....	H12	94	11		H2	84	14
MARK, AIR CLEANER SALES POINT	L3	149	8	NUT, FLANGE, 6MM .....	G3	69	16		H4	86	14
MARK, CHOKE .....	L2	148	4		H9	91	12	PACKING, CASE COVER .....	H7	89	27
	L3	149	10		H10	92	16		E10	44	2
					H11	93	12		E14	48	2
					H12	94	12		E16	50	1
	L7	153	2						F2	52	2
					H15	97	14	PACKING, CHAIN CASE COVER .....	K13	143	2
	L8	154	10		H16	98	13		K16	146	2
	L9	155	11	NUT, FLANGE, 8MM .....	K4	134	24	PACKING, ELBOW .....	H8	90	1
MARK, CONTROL BOX .....	K8	138	14		I3	101	13		H10	92	1
	K10	140	12		I5	103	8	PACKING, FUEL COCK .....	H11	93	1
MARK, ENGINE SWITCH .....	K12	142	14		I6	104	8		G15	81	22
	L3	149	12		I7	105	12	PACKING, FUEL FILLER CAP .....	H7	89	34
MARK, EX. CAUTION .....	L3	149	14		I11	109	16	PACKING, FUEL STRAINER CUP .....	G12	78	13
	L8	154	8		I12	110	3		H6	88	22
					I15	113	8	PACKING, HEAD COVER .....	E2	36	7
					L10	156	7	PACKING, INSULATOR .....	G13	79	17
MARK, FUEL .....	L3	149	18	NUT, HEX. ....	J14	128	18		H3	85	15
MARK, FUEL INDICATION .....	L3	149	13	NUT, HEX., 4MM .....	K9	139	22		H4	86	15
MARK, HONDA .....	L3	149	17		K10	140	19		H7	89	25
	L9	155	12								



# PART NAME INDEX

Part name	Address	Page	Ref.	Part name	Address	Page	Ref.	Part name	Address	Page	Ref.
PACKING, OIL FILLER CAP .....	E11	45	5	[ R ]				SCREW SET, PILOT.....	G9	75	5
	E13	47	17						H2	84	5
	E14	48	5	RATCHET, STARTER .....	F15	65	4		H4	86	5
			19		G2	68	5		H6	88	5
	E15	49	19	RECTIFIER ASSY., REGULATOR .....	K9	139	28	SCREW, CENTER.....	G1	67	11
	E16	50	5		K10	140	1		G2	68	14
	F2	52	5		L6	152	11	SCREW, FLAT, 5X10.....	J1	115	25
PACKING, REDUCTION COVER .....	K14	144	3	RECTIFIER ASSY., SILICON .....	K7	137	5	SCREW, PAN, 3X12.....	K9	139	20
PANEL COMP., CONTROL .....	K7	137	4		L6	152	3	SCREW, PAN, 3X6.....	G15	81	24
	K10	140	5	RECTIFIER COMP. ....	K12	142	5		H7	89	37
PANEL, CONTROL .....	K12	142	6	RETAINER, EX. VALVE SPRING .....	F11	61	12	SCREW, PAN, 4X12.....	K9	139	21
PIN, GOVERNOR WEIGHT .....	E11	45	9	RETAINER, IN. VALVE SPRING .....	F11	61	11		K10	140	18
	E14	48	9					SCREW, PAN, 4X6.....	H1	83	35
	E16	50	9	RETAINER, SPRING .....	F16	66	8		K5	135	31
	F2	52	9		G2	68	9	SCREW, PAN, 5X12.....	H3	85	35
PIN, LOCK, 10MM .....	E7	41	12	RING SET, PISTON .....	F6	56	1		H5	87	36
PIN, PISTON .....	F9	59	3		F7	57	1	SCREW, PAN, 5X16.....	K4	134	21
PIN, SPRING, 2X12 .....	G15	81	25		F8	58	1		K5	135	32
PIN, SPRING, 2X6 .....	K6	136	10	RING, SNAP .....	J11	125	2	SCREW, PAN, 5X16.5.....	H10	92	14
PIPE, EX. ....	I1	99	4		J14	128	1	SCREW, PAN, 5X28.....	K4	134	22
	I3	101	16	ROD ASSY., CONNECTING .....	F9	59	4	SCREW, PAN, 5X35.....	K4	134	23
	I4	102	3	ROD, CHOKE .....	H3	85	20	SCREW, PAN, 5X8.....	K6	136	9
	I6	104	2		H5	87	21	SCREW, RECESSED, 5X25.....	K3	133	19
	I7	105	4	ROD, CHOKE CONTROL .....	H3	85	25	SCREW, SPECIAL, 6X12.....	K8	138	16
	I9	107	6		H5	87	26		K10	140	14
	I12	110	1				48	SCREW, SPECIAL, 6X8.....	K12	142	16
PISTON .....	F8	58	2	ROD, GOVERNOR .....	J15	129	2	SCREW, STOP.....	H6	88	20
	F9	59	2	ROD, PUSH .....	F10	60	3	SCREW, TAPPING, 3X6.....	G6	72	11
PIVOT, ROCKER ARM .....	F10	60	6	ROPE, RECOIL STARTER .....	G1	67	10	SCREW, TAPPING, 4X14.....	K12	142	22
PLATE .....	H6	88	15		G2	68	11	SCREW, TAPPING, 4X6.....	I2	100	12
PLATE COMP., CLUTCH PRESSURE .....	K14	144	7	ROTATOR, VALVE .....	F11	61	14		I3	101	14
PLATE, CLUTCH .....	K14	144	6	RUBBER A, TANK MOUNTING .....	I16	114	14				19
PLATE, COOLING FAN SETTING .....	J3	117	9	RUBBER COMP., TANK MOUNTING .....	I16	114	16		15	103	11
PLATE, LEVER SETTING .....	G14	80	20	RUBBER, FUEL .....	I16	114	18				14
	H7	89	32	RUBBER, SUPPORTER .....	I13	111	1				18
PLUG, INNER CONNECTOR .....	J8	122	10						I6	104	7
PLUG, OIL DRAIN .....	L6	152	14	[ S ]					I7	105	10
PLUG, OUTER CONNECTOR .....	J8	122	11	SCREW-WASHER, 4X10 .....	K12	142	20		I11	109	15
	L6	152	13	SCREW-WASHER, 4X20 .....	J10	124	3				19
PLUG, SPARK .....	E3	37	15		K12	142	21		L5	151	7
	E4	38	15	SCREW-WASHER, 4X6 .....	J13	127	20	SCREW, TAPPING, 4X8.....	L10	156	6
PROTECTOR COMP., MUFFLER .....	I1	99	2	SCREW-WASHER, 4X8 .....	K12	142	19		I6	104	7
	I4	102	2	SCREW-WASHER, 5X12 .....	H5	87	37		L5	151	7
	I8	106	2	SCREW-WASHER, 5X16 .....	H1	83	36	SCREW, TAPPING, 5X20.....	G7	73	11
PROTECTOR, CIRCUIT .....	K8	138	12	SCREW-WASHER, 5X32 .....	J13	127	23	SCREW, TAPPING, 5X25.....	L13	159	9
PROTECTOR, EX. PIPE .....	I1	99	3	SCREW-WASHER, 6X20 .....	L13	159	12	SCREW, TAPPING, 5X8.....	I2	100	11
	I3	101	15	SCREW SET .....	G9	75	5		I5	103	7
	I5	103	15		G10	76	7				11
	I8	106	3		H2	84	5		I7	105	9
PROTECTOR, L. MUFFLER .....	I7	105	3								10
PROTECTOR, MUFFLER INNER .....	L5	151	3		H4	86	5		I10	108	14
PROTECTOR, MUFFLER OUTER .....	L5	151	2						L13	159	8
PROTECTOR, R. MUFFLER .....	I7	105	2		H6	88	7	SCREW, TAPPING, 6X10.....	I5	103	6
PULLEY COMP., STARTER .....	J2	116	2				19		I10	108	12
PULLEY, RECOIL STARTER .....	F15	65	3	SCREW SET, DRAIN .....	G9	75	6	SCREW, TAPPING, 6X25.....	L14	160	17
	G2	68	4		H2	84	6	SCREW, THROTTLE STOP.....	G11	77	10
PULLEY, STARTER .....	J2	116	3		H4	86	6		H2	84	9
					H6	88	6		H4	86	9

# PART NAME INDEX

N 6

Part name	Address	Page	Ref.	Part name	Address	Page	Ref.	Part name	Address	Page	Ref.
SEAL, AIR CLEANER .....	H12	94	9	SPRING, VALVE .....	F11	61	10	TUBE, FUEL, 4.5X120 .....	J1	115	20
SEAL, AIR CLEANER CASE .....	H16	98	7	SPRING, WEIGHT RETURN .....	F11	61	7	TUBE, FUEL, 4.5X150 .....	J1	115	19
SEAL, AIR CLEANER COVER .....	H16	98	9	SPROCKET COMP., DRIVE .....	K14	144	13	TUBE, FUEL, 4.5X210 .....	I15	113	9
SEAL, CHOKE LEVER .....	H3	85	32	SPROCKET, DRIVE .....	K13	143	4	TUBE, FUEL, 4.5X222 .....	I15	113	9
	H5	87	33	STARTER ASSY., RECOIL .....	F13	63	1	TUBE, FUEL, 4.5X430 .....	I15	113	9
SEAL, ELECTRONIC CONTROL UNIT COVER	J10	124	1		F14	64	1	[ U ]			
SEAL, MUFFLER PROTECTOR .....	L5	151	4	STAY ASSY., CHOKE CONTROL .....	H1	83	30	U-RING .....	H7	89	30
SEAL, VALVE STEM .....	F10	60	1	STAY ASSY., MANUAL CHOKE .....	H3	85	16	[ V ]			
SEAT, VALVE SPRING .....	F11	61	13	STAY COMP., SOLENOID .....	H4	86	17	VALVE ASSY., SOLENOID .....	H4	86	16
SEPARATOR, AIR CLEANER .....	H12	94	3		H4	86	18		L6	152	7
SHAFT .....	J13	127	18	STAY, AIR CLEANER .....	H12	94	5	VALVE SET, FLOAT .....	G8	74	2
SHAFT COMP., P.T.O. ....	K14	144	15		H16	98	4		H2	84	2
SHAFT, GOVERNOR ARM .....	E6	40	3	STAY, MUFFLER COVER .....	L14	160	15		H4	86	2
SHAFT, P.T.O. ....	K13	143	5	STAY, SOLENOID THROTTLE .....	K6	136	4		H6	88	2
SHIM A .....	K16	146	6	STOPPER, CHOKE ROD .....	H3	85	21	VALVE, DASHPOT CHECK .....	H3	85	28
SHIM B .....	K16	146	7		H5	87	22		H5	87	29
SHROUD .....	G5	71	3	STRAINER COMP., FUEL .....	I16	114	13	VALVE, EX. ....	F11	61	9
	G7	73	3	STRAP, CABLE, 118MM .....	K9	139	18	VALVE, IN. ....	F11	61	8
SHROUD COMP., UPPER .....	K5	135	35		K10	140	16	[ W ]			
SLIDER, GOVERNOR .....	E12	46	10	SUB HARNESS .....	G6	72	8	WASHER COMP., HEAD COVER .....	E2	36	10
	E14	48	10	SUSPENSION, COUPLER .....	K7	137	6	WASHER, 6X16 .....	F2	52	11
	E16	50	10	SWITCH ASSY., COMBINATION .....	L6	152	4	WASHER, 8MM .....	K13	143	6
	F2	52	10		K8	138	10		K16	146	8
SOLENOID ASSY. ....	K6	136	6	SWITCH ASSY., ENGINE STOP .....	G5	71	4	WASHER, 8.2X17X0.8 .....	E7	41	7
SPACER COMP., CARBURETOR .....	G13	79	15		G6	72	7	WASHER, CHOKE LEVER .....	H3	85	31
	H3	85	45						H5	87	32
	H5	87	47	SWITCH ASSY., MAGNET .....	J14	128	5	WASHER, CONTROL LEVER .....	K1	131	10
	H7	89	26	SWITCH ASSY., OIL LEVEL .....	E6	40	2	WASHER, DRAIN PLUG, 12MM .....	E7	41	11
SPACER, CONTROL LEVER .....	K2	132	12		E9	43	16		K15	145	26
SPACER, MUFFLER COVER .....	L13	159	7	SWITCH, THERMO .....	L6	152	1	WASHER, LOCK, 8.5X35X4.5 .....	F5	55	11
SPANNER, 10X12 .....	L4	150	5	[ T ]				WASHER, PLAIN, 4MM .....	K9	139	23
SPANNER, 14X17 .....	L4	150	6	TANK ASSY., FUEL .....	J1	115	23		K11	141	20
SPRING .....	J12	126	17					WASHER, PLAIN, 5MM .....	H3	85	36
SPRING, AIR CLEANER CASE LID ..	H16	98	5	TANK COMP., FUEL .....	I13	111	3		H5	87	38
SPRING, BRUSH .....	J14	128	11		I14	112	3	WASHER, PLAIN, 6MM .....	L13	159	13
SPRING, BRUSH RETURN .....	J12	126	12	TOOL KIT .....	J1	115	27		E13	47	14
SPRING, CABLE RETURN .....	K3	133	15		L4	150	1	WASHER, PLAIN, 6MM .....	E14	48	13
SPRING, CHOKE RETURN .....	K6	136	2	TUBE, 11X100 .....	E3	37	13		F1	51	14
SPRING, CLUTCH FREE .....	K14	144	8	TUBE, 3.5X55 .....	H3	85	41	WASHER, SK .....	F3	53	15
SPRING, COCK LEVER .....	G14	80	21		H5	87	43	WASHER, SPRING, 4MM .....	J13	127	21
	H7	89	33	TUBE, 3.5X75 .....	H3	85	42		K9	139	24
SPRING, CONTROL ADJUSTING .....	K3	133	14	TUBE, BREATHER .....	E3	37	13	WASHER, SPRING, 8MM .....	K11	141	21
SPRING, FRICTION .....	F15	65	5		E4	38	17	WASHER, THRUST, 16.1MM .....	K15	145	27
	G2	68	6	TUBE, FASTENER, 30MM .....	H12	94	1	WASHER, THRUST, 25MM .....	F12	62	18
SPRING, GOVERNOR .....	J15	129	3		H16	98	1	WASHER, THRUST, 2.7X8 .....	K14	144	18
	J16	130	3		K9	139	19		H3	85	33
	L6	152	2		K10	140	17	WEIGHT, BALANCER .....	H5	87	34
SPRING, LEVER .....	K1	131	9					WEIGHT, CLUTCH .....	F4	54	6
SPRING, MANUAL CHOKE .....	H3	85	22					WEIGHT, GOVERNOR .....	K14	144	10
	H5	87	23						E11	45	7
SPRING, RATCHET .....	F15	65	7						E14	48	7
	G2	68	8						E16	50	7
SPRING, RETURN .....	H1	83	32								
SPRING, STARTER RETURN .....	F15	65	6								
	G2	68	7								
SPRING, THROTTLE RETURN .....	J16	130	4								
SPRING, TORSION COIL .....	H6	88	16								

4

# PART NAME INDEX

**N 7**

Part name	Address	Page	Ref.	Part name	Address	Page	Ref.	Part name	Address	Page	Ref.
WEIGHT, GOVERNOR .....	F2	52	7								
WIRE, WATER COVER .....	J12	126	15								
WRENCH COMP., SPARK PLUG .....	L4	150	3								
WRENCH, SPARK PLUG .....	L4	150	2								
[ Y ]											
YOKE COMP. ....	J12	126	10								
	J14	128	15								





---

**1**

**FOREWORD INDEX**

---

**2**

**ENGINE GROUP**

---

**3**

**PART NUMBER INDEX**

---

**4**

**PART NAME INDEX**

---

**HONDA**  
The Power of Dreams