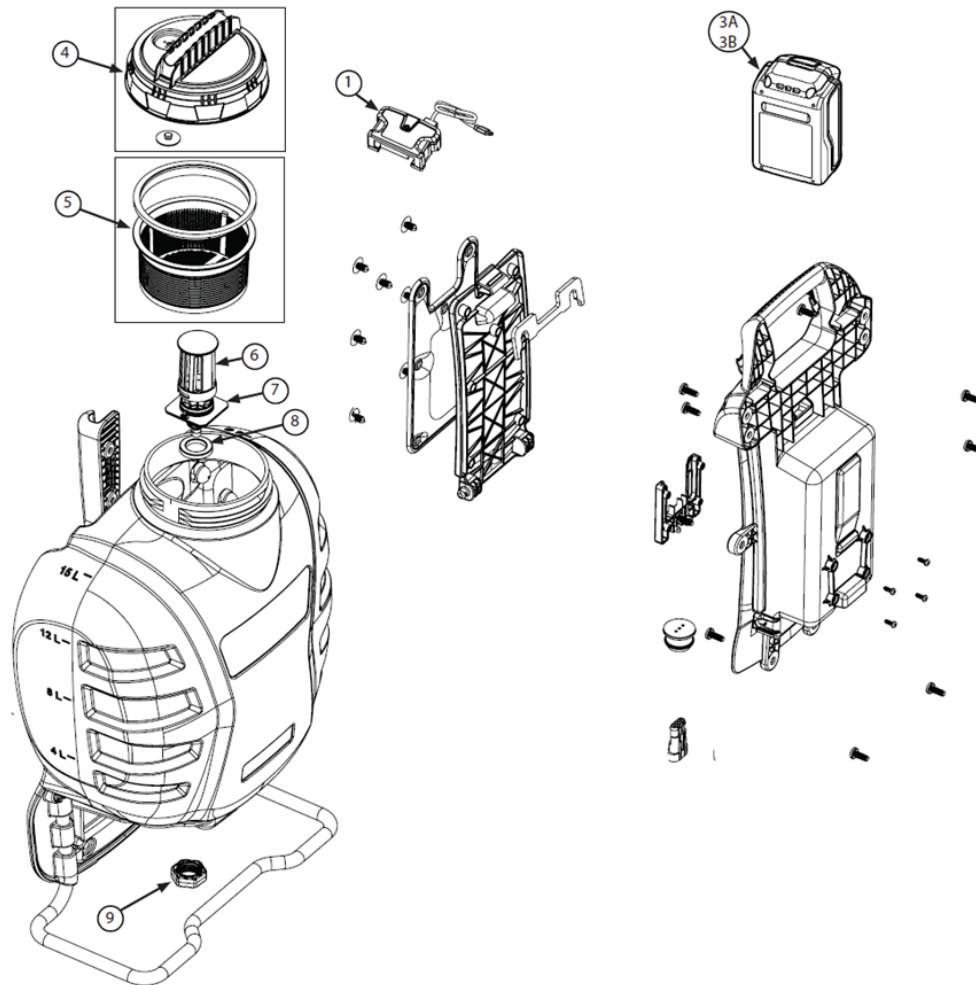


SPARE PARTS MANUAL

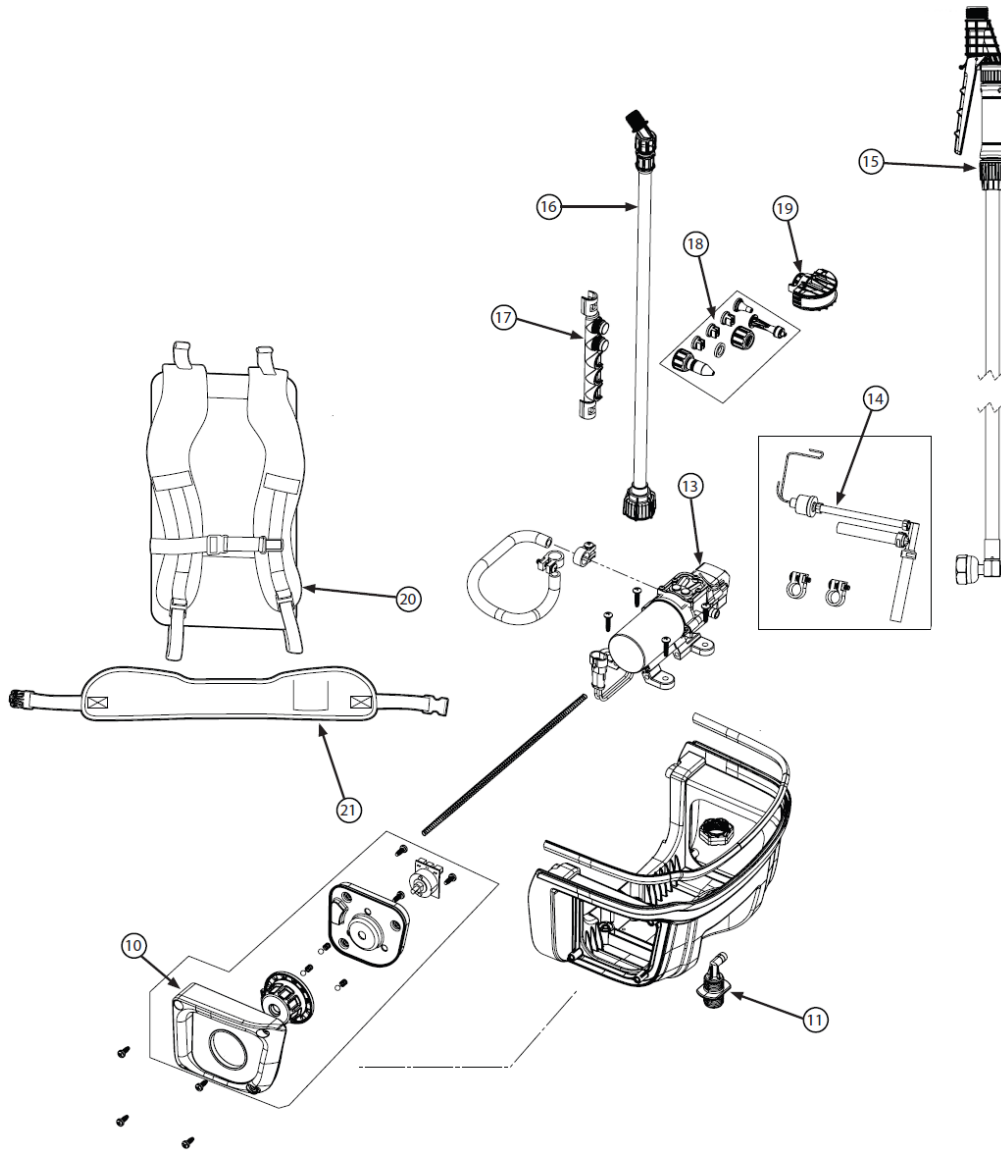
SMITH PERFORMANCE SPRAYERS HEAVY-DUTY BACKPACK SPRAYER S3E-V



Version 2.0 (September 2023)



Item No.	Product Code	Description	Qty	Remarks
1	NPS01935-UNIT	SPS STANDARD CHARGER 0.6A AU (SPS-183530)	1	
3A	NPS01937-UNIT	SPS LI-ION BATTERY 2.0Ah (SPS-183411)	1	
3B	NPS01938-UNIT	SPS LI-ION BATTERY 4.0Ah (SPS-183412)	1	
4	NPS01939-UNIT	SPS TANK CAP (INCLUDES CHECK SEAL) (SPS-185212)	1	
5	NPS01940-UNIT	SPS FILTER BASKET (INCLUDES GASKET) (SPS-185214)	1	
6	NPS01941-UNIT	SPS TANK FILTER (SPS-183418)	1	
7	NPS01942-UNIT	SPS FILTER BASE (SPS-183410)	1	
8	NPS01946-UNIT	SPS FILTER GASKET (SPS-171740)	1	
9	NPS01949-UNIT	SPS BARB NUT (SPS-185255)	1	



Item No.	Product Code	Description	Qty	Remarks
10	NPS01952-UNIT	SPS CONTROLS MODULE (SPS-184822)	1	
11	NPS01953-UNIT	SPS SHUT-OFF BARB (SPS-183423)	1	
13	NPS01954-UNIT	SPS PUMP & MOTOR ASSEMBLY (SPS-184879)	1	
14	NPS01956-UNIT	SPS REPAIR KIT (OUTLET HOSE) (SPS-185627)	1	
15	NPS01958-UNIT	SPS HOSE & SHUT-OFF ASSEMBLY (SPS-184860)	1	
16	NPS01959-UNIT	SPS LANCE ASSEMBLY 21" SS (SPS-182112)	1	
17	NPS01960-UNIT	SPS NOZZLE STORAGE CLIP (SPS-184490)	1	
18	NPS01883-UNIT	SPS BRASS NOZZLE KIT (SPS-181870)	1	
19	NPS01962-UNIT	SPS HIGH-PERFORMANCE FOAMING NOZZLE (SPS-185138)	1	
20	NPS01963-UNIT	SPS SHOULDER HARNESS (SPS-183420)	1	
21	NPS01964-UNIT	SPS PADDED WAIST BELT (SPS-185029)	1	



Flextool

1956 Dandenong Road, Clayton VIC 3168, Australia

Phone: 1300 353 986

flextool.com.au

ABN 80 069 961 968

This manual summarises our best knowledge of the product based on the information available at the time of publication. You should read this manual carefully and consider the information in the context of how the product will be used. Our responsibility for products sold is subject to our standard terms and conditions of sale.

DISCLAIMER:

Any advice, recommendation, information, assistance or service provided by us in this manual is given in good faith and is believed by us to be appropriate and reliable. However, any advice, recommendation, information, assistance or service provided by us is provided without liability or responsibility PROVIDED THAT the foregoing shall not exclude, limit, restrict or modify the right entitlements and remedies conferred upon any person or the liabilities imposed upon us by any condition or warranty implied by Commonwealth, State or Territory Act or ordinance void or prohibiting such exclusion limitation or modification. The product can be expected to perform as indicated in this manual so long as operation and operational procedures of the individual products are followed as recommended in this manual.

Design and technical specifications may be subject to changes.

© This publication is copyright. All rights are reserved. Flextool is a registered trade mark of Parchem Construction Supplies Pty Ltd. Smith Performance Sprayers is a trade mark.

**FOR MORE INFORMATION
CONTACT US ON 1300 353 986 OR VISIT flextool.com.au**

EXCLUSIVE TO

