

GENERAL PURPOSE ENGINE

GX16OUT1
GX16ORT1
GX16OUT2
GX16ORT2

PARTS CATALOGUE

3



GX160UT1

FOREWORD INDEX

1

ENGINE GROUP

2

PART NUMBER INDEX

3

PART NAME INDEX

4

Instruction for use of parts catalogue

- **This parts catalogue was prepared based on the latest information available as of June 10, 2011.**
 - See the parts catalogue news for any revision that is made after June 10, 2011.
- **Always specify the part number when ordering a part.**
 - Check the model, type, serial numbers, color, maker, and the size as needed before ordering a part.
 - Note that the illustrations (part drawings) can differ from the actual parts in shape. They are given just to help you to refer to the parts.
- **When modifications or additions to this parts catalogue are made, a revised edition will be issued at an appropriate time, with successively progressing revision numbers on the cover. We recommend obtaining such revisions in order to keep your parts catalogue up-to-date at all times. To check whether a parts catalogue revision has been issued, please contact your Honda distributor.**

Initial version issue date April 10, 2005
Honda Motor Co., Ltd.

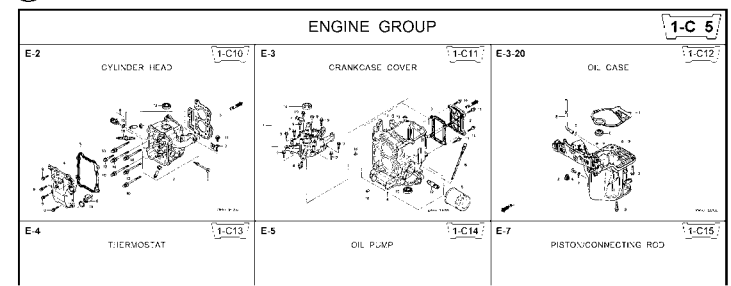
CONTENTS

	Page	Address No.	
● Instruction for use of parts catalogue	1	B 1	1
● How to refer to the part information	2	B 2	
● Part catalogue structure	3	B 3	
● When the parts were revised.....	4	B 4	
● Abbreviations used in the parts catalogue.....	4	B 4	
● How to check the part block and serial numbers.....	5	B 5	
● Models, parts catalogue codes and applicable serial numbers	6	B 6	
● Features of each type.....	12	B12	
● Fuel hose, general purpose hoses and vinyl hose.....	30	C14	
● FLAT RATE SERVICE TIME	31	C15	
● Illustrated index	36	D 4	
● ENGINE GROUP.....	40	E 1	2
● PART NO. INDEX.....	143	L 1	3
● PART NAME INDEX.....	147	M 1	4

How to refer to the part information

1

A Reference with "Illustrated index"



B Reference with "Part number index"

PART NO. INDEX

Part Number	Address	Page	Ref.	Part Number	Address	Page
06000				15212-ZW9-000	1-C14	3C
06316-ZW9-000	1-G9	88	1	15220-ZW9-003	1-C14	3C
11000				15332-ZW9-000	1-E8	55
11300-ZW9-405	1-C11	27	1	15332-ZW9-A30	1-E11	5E
11300-ZW9-406	1-C11	27	1	15400-PFB-004	1-C11	27
11340-ZW9-000	1-C11	27	2	15422-ZW9-000	1-C14	3C
11342-ZW9-000	1-C11	27	3	15473-881-000	1-C14	3C
11381-ZW9-003	1-C12	28	1	15474-ZW9-000	1-C14	3C
				15611-921-000	1-C10	2E
				15655-ZW9-000	1-C11	27
				16000		
12000				16010-ZV4-005	1-D4	3E
12000-ZW9-405ZA	1-C11	27	4	16011-ZV4-005	1-D4	3E
12155-ZV4-A00	1-C13	29	1	16013-ZW9-003	1-D4	3E
12166-ZW9-000	1-C10	26	1	16016-ZW9-003	1-D4	3E
12209-GB4-681	1-C16	32	1	16016-ZW9-721	1-D4	3E
12210-ZW9-405ZA	1-C10	26	2	16023-ZW9-003	1-D4	3E
12216-ZE2-300	1-E8	55	1	16024-ZV4-650	1-D4	3E
	1-E11	58	1	16028-ZV4-650	1-D4	3E

Address No. 1-C10

E-2 CYLINDER HEAD

Block No.

Ref No.

Ref. No.	Part No.	Description	Reqd. QTY						Serial No.	Parts catalogue code
			99D1	99D1	1001	1001	1001	1001		
1	12166-ZW9-000	STOPPER, ENGINE SIDE	2	2	2	2	2			
2	12210-ZW9-000ZA	HEAD COMP., CYLINDER	1	1	1	1	1			
3	12251-ZW9-003	GASKET, CYLINDER HEAD	1	1	1	1	1			
4	12310-ZW9-000	COVER COMP., HEAD	1	1	1	1	1			
5	12312-ZW9-000	PACKING, HEAD COVER	1	1	1	1	1			
6	15611-921-000	CAP, OIL (NO GAUGE)	1	1	1	1	1			
7	16617-ZW9-000	HOLDER, CABLE	1	1	1	1	1	SC,SG		
	16617-ZW9-010		1	1	1	1	1	1001801	LHC,LHD	
			1	1	1	1	1		LHC,LHD	
8	35673-ZV5-003	SENSOR ASSY., WATER	1	1	1	1	1			
9	90003-ZW9-000	BOLT, FLANGE, 6X22	4	4	4	4	4			
10	90007-ZW9-003	BOLT, FLANGE, 8X83	6	6	6	6	6			
11	90011-ZW9-000	BOLT, FLANGE, 6X14(CT200)	1	1	1	1	1			
12	90020-ZW9-000	BOLT, FLANGE, 6X40	2	2	2	2	2			
13	91202-KJ9-003	OIL SEAL, 20X32X6	1	1	1	1	1			
14	91301-805-000	O-RING, 26X2.7	1	1	1	1	1			
15	91307-PK2-005	O-RING, 9.5X1.5(HONDA KIKAKI)	1	1	1	1	1			
16	98059-55916	PLUG, SPARK (CR5EH-9)	2	2	2	2	2			
	98059-55926	PLUG, SPARK (U16FER9)	2	2	2	2	2			

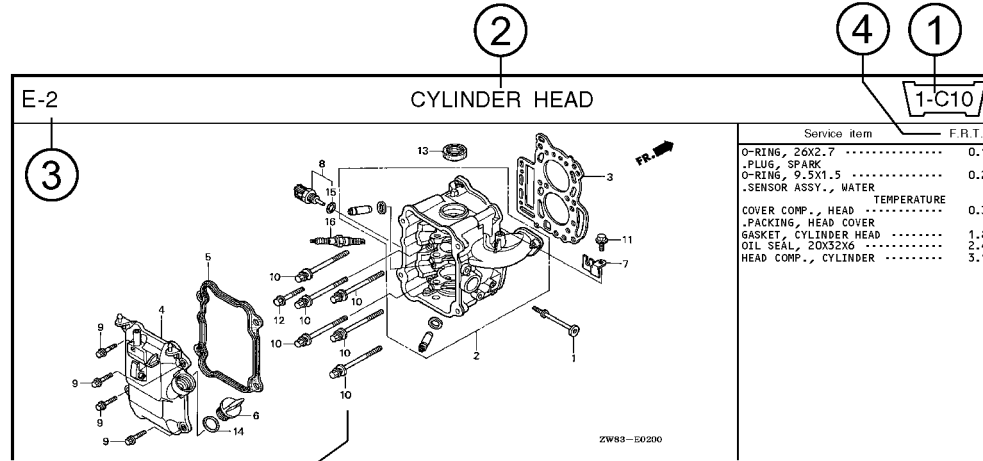
Page No. 2000.09.20 E

C Reference with "Part name index"

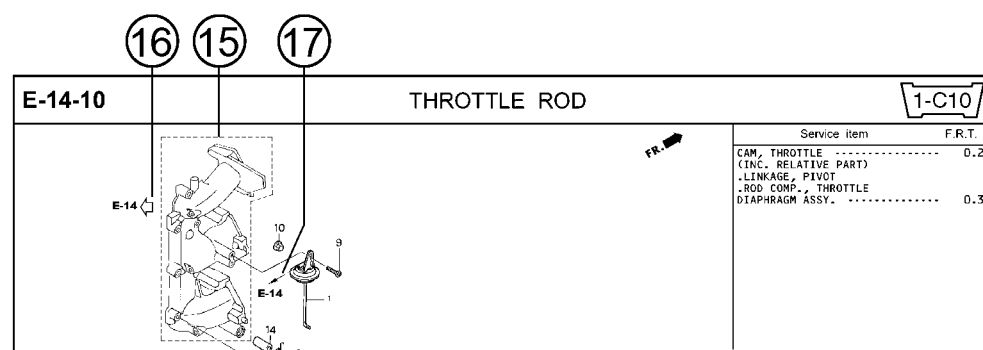
PART NAME INDEX

Part name	Address	Page	Ref.
[A]			
ABSORBER , FUEL	1-E15	62	5
ARMATURE COMP.	1-D11	43	7
ARM COMP. , LINK JOINT	1-G6	85	18
ARM COMP. , SHIFT LINK	1-G6	85	14
ARM COMP. , TILT	1-F15	79	20
ARM , FUEL PUMP ROCKER	1-C16	32	4
ARM , REVERSE LOCK	1-F15	79	18
ARM , SHIFT LINK	1-F11	74	7
ARM , STOPPER	1-D1	33	12
ARM , THROTTLE REMOTE	1-F11	74	6
ARM , VALVE ROCKER	1-C16	32	3
[B]			
BAG , TOOL , 160MM	1-G5	84	10
BAND	1-G6	86	37
BAND B1 , WIRE	1-F6	69	1
BAND , CORD	1-F3	67	18
BAND , TUBE CLIP , 11MM	1-E15	63	20
BAND , TUBE CLIP , 12.5MM	1-E15	63	19

Part catalogue structure

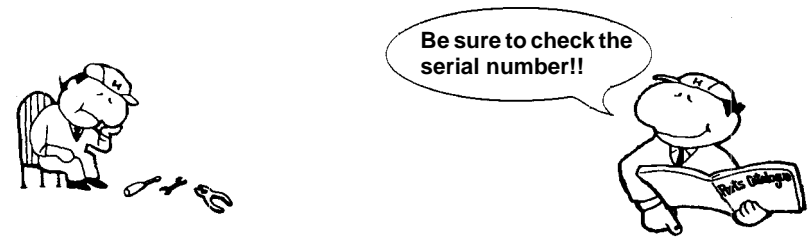


Ref. No.	Part No.	Description	Reqd. QTY						Serial No.	Parts catalogue code
			BF 9/9D1	BFP 9/9D1	BF 10D1	BFP 10D1	BF 10B1	BFP 10B1		
1	12166-zw9-000	STOPPER, ENGINE SIDE	2	2	2	2	2	2		
2	12210-zw9-000ZA	HEAD COMP., CYLINDER *NHS* DARK GRAY	1	1	1	1	1	1		
3	12251-zw9-003	GASKET, CYLINDER HEAD	1	1	1	1	1	1		
4	12310-zw9-000	COVER COMP., HEAD	1	1	1	1	1	1		
5	12312-zw9-000	PACKING, HEAD COVER	1	1	1	1	1	1		
6	15611-921-000	CAP, OIL (NO GAUGE)	1	1	1	1	1	1		
7	16617-zw9-000	HOLDER, CABLE	1	1	1	1	1	1	SC,SG	
	16617-zw9-010		1	1	1	1	1	1	1001800 LHC,LHD	



- ① **Address number**
 - Address No. is provided (in place of the page No.) to help you refer to the part with the part No. or part name.
- ② **Block title** ③ **Block number**
- ④ **Service item/Flat rate time**
- ⑤ **Reference number**
 - Title number marked with the parenthesis or parentheses indicates that it continues from the previous page.
- ⑥ **Part number** ⑦ **Honda color code**
- ⑧ **Description**
- ⑨ **Assemblies**
 - Sections framed with broken lines in the exploded view drawings are available as complete assemblies. (Their individual parts can also be obtained.)
- ⑩ **Color description**
- ⑪ **Note**
 - Notes are shown with the parentheses in the part name column.
- ⑫ **Required quantity**
 - Required QTY shown in the parenthesis or parentheses indicates the optional part.
 - Required QTY marked with "N" Indicates the optional part that should be selected as needed.
 - Required QTY indicates the number of the part used in the block.
- ⑬ **Serial number**
- ⑭ **Type**
 - When the type column is blank, it indicates that the part is applicable to all types.
 - As the type of the actual unit may differ from the "parts catalogue, type" please refer to "Models, types and applicable serial numbers" for confirmation.
- ⑮ **[Dotted line]**
 - Parts enclosed within a dotted line [] are covered in a different block.
- ⑯ **[Hollow arrow]**
 - A hollow arrow [] indicates the block No. for the parts enclosed within a dotted line [] .
- ⑰ **[Solid arrow]**
 - A solid arrow [] indicates the block No. the part in question is connected to.

When the parts were revised



Ref. No.	Part No.	Description	Reqd. QTY						Serial No.
			BF 99D1	BFP 9.9D1	BF 10D1	BFP 10D1	BF 10B1	BFP 10B1	
1	12166-ZW9-000	STOPPER, ENGINE SIDE	2	2	2	2	2	2	
2	12210-ZW9-000ZA	HEAD COMP., CYLINDER *NHS*.....DARK GRAY	1	1	1	1	1	1	
3	12251-ZW9-003	GASKET, CYLINDER HEAD	1	1	1	1	1	1	
4	12310-ZW9-000	COVER COMP., HEAD	1	1	1	1	1	1	
5	12312-ZW9-000	PACKING, HEAD COVER	1	1	1	1	1	1	
6	15611-921-000	CAP, OIL (NO GAUGE)	1	1	1	1	1	1	
7	16617-ZW9-000	HOLDER, CABLE (###).....	1	1	1	1	1	1	SC, SG LHC, LHD LHC, LHD
	16617-ZW9-010	1	1	1	1	1	1	

The number has been used from the initial model without revision.

When shown at the left side, it is applicable to the models of No.1001801 and the subsequent numbers.

When shown at the right side, it is applicable to the models up to No.1001800.

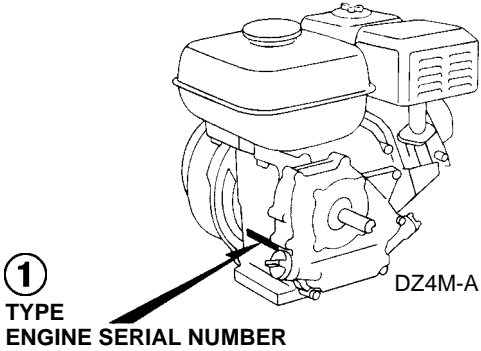
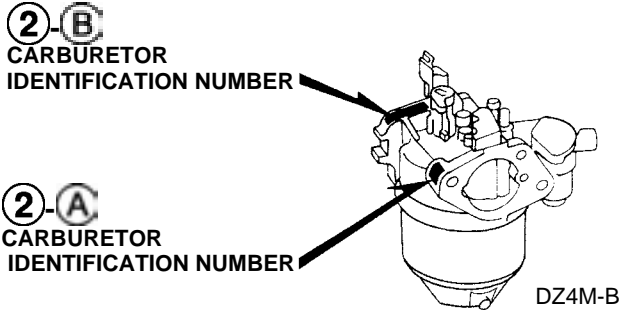
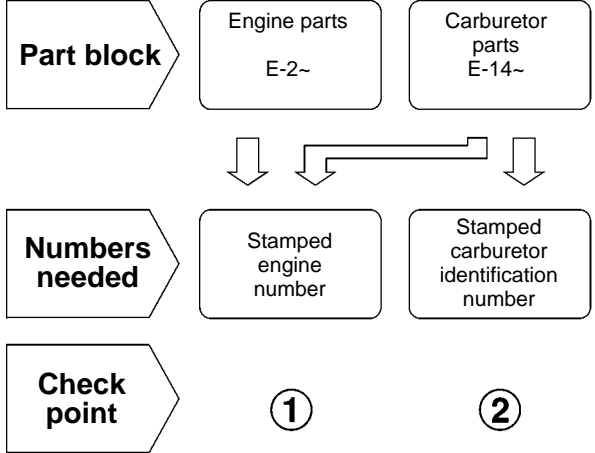
• The parts listed with "###" at the end of the parts name have limited supply period (parts not for sale).

Abbreviations used in the parts catalogue

• The following abbreviations are used in the parts name column.

- A Ampere
- A.C. Alternating current
- ASSY. Assembly
- AT. Automatic transmission
- C.D.I. Capacitive discharge ignition
- COMP. ... Complete
- D.C. Direct current
- EX. Exhaust
- G.F.C.I ... Ground fault circuit interruptor
- HEX. Hexagonal
- H.S.T. Hydrostatic transmission
- FR.Front
- IN.Inlet
- L (100L) .Link (100 Links)
- L.Left
- MMMillimeter
- MT.Manual Transmission
- P.T.O.Power take off
- R.Right
- RR.Rear
- STD.Standard
- T (22T) ...Tooth (22 Teeth)
- VVolt
- WWatt

How to check the part block and serial numbers



Models, parts catalogue codes and applicable serial numbers

- Models, parts catalogue codes and applicable serial Nos. given in this parts catalogue can be identified as follows.

Model	Type	Parts catalogue type	Applicable engine serial No.	Applicable carburetor identification No.	Model	Type	Parts catalogue type	Applicable engine serial No.	Applicable carburetor identification No.
GX160UT1	HH26	HH26	GCAFT-1000001~	BE65Q A	GX160UT1	QCL	QCL	GCAFT-1000001~	BE65Q A
	HHQ4	HHQ4				QGR9	QGR9		
	HX2	HX2				QH26	QH26		
	HX4	HX4				QHG4	QHG4		
	HXE8	HXE8				QHQ4	QHQ4		
	HXU	HXU				QKA4	QKA4		
	LHQ4	LHQ4				QMC6	QMC6		
	LX2	LX2				QMC8	QMC8		
	LX26	LX26				QMD6	QMD6		
	LX4	LX4				QME4	QME4		
	LXU	LXU				QMP4	QMP4		
	PXU	PXU				QMZ2	QMZ2		
	QA2	QA2				QNT	QNT		
	QA26	QA26				QNT4	QNT4		
	QAX2	QAX2		QPU		QPU			
	QBC2	QBC2		QW24		QW24			
QBM2	QBM2	QWA4	QWA4						
QBT6	QBT6	QWW2	QWW2						
QCB2	QCB2	QWX2	QWX2						
			BE65R A						BE66H A
			BE65Q A						BE65Q A
									BE65Q A BE65R A
									BE65Q A
									BE54A A
									BE65Q A

Model	Type	Parts catalogue type	Applicable engine serial No.	Applicable carburetor identification No.
GX160UT1	QX2	QX2	GCAFT-1000001~	BE65Q A
	QX26	QX26		
	QX4	QX4		
	QX7	QX7		
	QX9	QX9		
	QXC9	QXC9		
	QXE2	QXE2		BE54B A
	QXE4	QXE4		BE65Q A
	QXE5	QXE5		
	QXE8	QXE8		
	QXF2	QXF2		
	QXS2	QXS2		
	QXU	QXU		
	QXW	QXW		
	QXWE	QXWE		
	RH2	RH2		
	RHQ4	RHQ4		
	RTB2	RTB2		
RX4	RX4			
RXE2	RXE2			

Model	Type	Parts catalogue type	Applicable engine serial No.	Applicable carburetor identification No.
GX160UT1	RXU	RXU	GCAFT-1000001~	BE65Q A
	SD16	SD16		BE66H A
	SG24	SG24		BE65Q A
	SHQ4	SHQ4		
	SMC7	SMC7		
	SMC9	SMC9		
	SSX2	SSX2		
	SWX2	SWX2		
	SX4	SX4		
	SX7	SX7		
	SX9	SX9		
	SXE4	SXE4		
	SXE5	SXE5		
	SXS4	SXS4		
	SXU	SXU		
	TCS2	TCS2		
	TW24	TW24		
	TX2	TX2		
	TX26	TX26		
	TX4	TX4		

1

1

Model	Type	Parts catalogue type	Applicable engine serial No.	Applicable carburetor identification No.	
GX160UT1	TXC9	TXC9	GCAFT-1000001~	BE54B A	
	TXDU	TXDU		GCAFT-1000001~	BE65Q A
	TXU	TXU			
	UXU	UXU			
	VA2	VA2			
	VG24	VG24			BE66D B
	VG29	VG29			BE54B A
	VGE4	VGE4			BE65Q A
	VGE5	VGE5			
	VHA9	VHA9			
	VHH4	VHH4			
	VMS4	VMS4			BE67K A BE67Q A
	VPM4	VPM4			
	VPM5	VPM5			
	VPM8	VPM8			
	VPM9	VPM9			BE67Q A
	VPMN	VPMN			
	VPR4	VPR4			BE67K A BE67Q A
	VPR9	VPR9			
VS17	VS17				

Model	Type	Parts catalogue type	Applicable engine serial No.	Applicable carburetor identification No.
GX160UT1	VS19	VS19	GCAFT-1000001~	BE67K A BE67Q A
	VSD	VSD		BE65Q A
	VSD1	VSD1		BE67K A BE67Q A
	VSD7	VSD7		BE65Q A
	VSD9	VSD9		
	VWA2	VWA2		BE67K A BE67Q A
	VWW2	VWW2		
	VWWN	VWWN		
	VX2	VX2		BE65Q A
	VX4	VX4		
	VXE9	VXE9		
	VXU1	VXU1		
	VXW2	VXW2		BE66H A
	WKS	WKS		
	WKT2	WKT2		BE65R A
	WKT4	WKT4		
	WKT6	WKT6		BE66H A
	WMB0	WMB0		
	QAX4	QAX4		BE65Q A
	QHQU	QHQU		

Model	Type	Parts catalogue type	Applicable engine serial No.	Applicable carburetor identification No.
GX160UT1	QXC4	QXC4	GCAFT-1000001~	BE54B A
	QXP2	QXP2		BE65Q A
	RXP2	RXP2		
	SG22	SG22		
	SHQU	SHQU		
	SX2	SX2		
	SXS	SXS		
	SXS2	SXS2		
	VGE2	VGE2		
	VSD2	VSD2		
GX160RT1	RHG4	RHG4		
	SWG4	SWG4		
GX160UT2	HH26	HH26	GCBPT-1000001~	BE54D A
	HHQ4	HHQ4		
	HX2	HX2		
	HX4	HX4		
	HXE8	HXE8		
	LHN4	LHN4		
	LHQ4	LHQ4		
	LX2	LX2		

Model	Type	Parts catalogue type	Applicable engine serial No.	Applicable carburetor identification No.
GX160UT2	LX4	LX4	GCBPT-1000001~	BE54D A
	LXM2	LXM2		
	PXU	PXU		
	QA2	QA2		
	QAX2	QAX2		
	QAX4	QAX4		
	QBC2	QBC2		
	QBM2	QBM2		
	QGR9	QGR9		
	QH26	QH26		
	QHQ4	QHQ4		
	QMC6	QMC6		
	QMC8	QMC8		
	QMD6	QMD6		
	QME4	QME4		
	QMP4	QMP4		
	QMX2	QMX2		
	QPU	QPU		
	QWA4	QWA4		
	QWX2	QWX2		
			BE54C A	
			BE54D A	
			BE54C A	
			BE54D A	
			BE54C A	
			BE54D A	

Model	Type	Parts catalogue type	Applicable engine serial No.	Applicable carburetor identification No.
GX160UT2	QX2	QX2	GCBPT-1000001~	BE54D A
	QX4	QX4		BE54C A
	QX9	QX9		BE54D A
	QXE2	QXE2		BE54D A
	QXE5	QXE5		
	QXE8	QXE8		
	QXM2	QXM2		
	QXS2	QXS2		
	QXU	QXU		
	QXWE	QXWE		
	RH2	RH2		
	RHQ4	RHQ4		
	RX4	RX4		
	RXE2	RXE2		
	RXU	RXU		
	S1CY	S1CY		BE54C A
	SD16	SD16		BE66U A
	SHQ4	SHQ4		BE54D A
	SHRY	SHRY		BE54C A
	SMC7	SMC7		

Model	Type	Parts catalogue type	Applicable engine serial No.	Applicable carburetor identification No.
GX160UT2	SMC9	SMC9	GCBPT-1000001~	BE54C A
	SMW2	SMW2		BE54D A
	SSX2	SSX2		BE54C A
	SWX2	SWX2		BE54D A
	SX4	SX4		
	SX9	SX9		BE54C A
	SXE5	SXE5		BE54D A
	SXS4	SXS4		
	SXU	SXU		
	TX2	TX2		
	TX4	TX4		
	TXDU	TXDU		
	UXU	UXU		
	VA2	VA2		
	VSD9	VSD9		
	VX2	VX2		
	VXE9	VXE9		BE54C A
	VXU1	VXU1		BE54D A
	WKS	WKS		BE66U A
	WKT2	WKT2		BE54D A

Model	Type	Parts catalogue type	Applicable engine serial No.	Applicable carburetor identification No.
GX160UT2	WMB0	WMB0	GCBPT-1000001~	BE66U A
GX160RT2	EMAN	EMAN		BE67W A
	QHG4	QHG4		BE54D A
	RHG4	RHG4		
	SWG4	SWG4		
	VES6	VES6		BE67W A
	VGE4	VGE4		BE54D A
	VGE5	VGE5		
	VHH4	VHH4		
	VPM5	VPM5		BE67W A
	VS19	VS19		
	VWS	VWS		
	VWWN	VWWN		

* Of carburetor identification numbers, only the portions underlined in the example below are used for registration.

BE 65Q A KC ナ
 (A) (B)

Features of each type

- See the following table for the features of each type. (Items in brackets are optional)

Specifications		Model	GX160UT1											
		Type	HH26	HHQ4	HX2	HX4	HXE8	HXU	LHQ4	LX2	LX26	LX4	LXU	PXU
Crankshaft	20mm Ø Spline							●	●	●	●	●		
	21mm Ø Pinion		●	●	●	●	●							
	20mm Ø Straight													
	19.05mm Ø Straight													
	3/16" Tapered													
	1/5" Tapered													
	3/4" Thread												●	
	M16 Thread													
	M18 Thread													
	1/2" Thread													
	5/8" Thread													
Oil alert unit				●	●	●	●		●	●	●	●	●	
Engine stop switch			●	●	●	●		●	●	●	●	●	●	
Engine stop switch (~1654685)														
Air cleaner	Dual		●	●	●	●	●	●	●	●	●	●	●	
	Semi dry													
	Oil bath													
	Standard													
	Cyclone													
Spark arrester			(●)	(●)	(●)	(●)	(●)	(●)	(●)	(●)	(●)	(●)	(●)	
Fuel tank			●	●	●	●	●	●	●	●	●	●	●	
Coil	Lamp coil													
	Charge coil					●								
Starter motor						●								
Reduction			●	●	●	●	●	●	●	●	●	●	●	
Muffler cover				(●)		(●)			(●)			(●)		

Specifications		Model	GX160UT1											
		Type	QA2	QA26	QAX2	QBC2	QBM2	QBT6	QCB2	QCL	QGR9	QH26	QHG4	QHQ4
Crankshaft	20mm Ø Spline													
	21mm Ø Pinion													
	20mm Ø Straight													
	19.05mm Ø Straight	●	●	●	●	●	●	●	●	●	●	●	●	
	3/16" Tapered													
	1/5" Tapered													
	3/4" Thread													
	M16 Thread													
	M18 Thread													
	1/2" Thread													
5/8" Thread														
Oil alert unit				●			●		●	●				
Engine stop switch		●	●	●		●	●	●	●	●	●	●	●	
Engine stop switch (~1654685)					●									
Air cleaner	Dual			●	●	●	●	●	●	●	●	●	●	
	Semi dry													
	Oil bath	●	●											
	Standard													
	Cyclone													
Spark arrester		●	●	(●)	●	●	(●)	(●)	(●)	(●)	(●)	(●)	(●)	
Fuel tank		●	●	●	●	●	●	●		●	●		●	
Coil	Lamp coil													
	Charge coil			●						●				
Starter motor														
Reduction														
Muffler cover												(●)	(●)	

1

Specifications		Model	GX160UT1											
		Type	QKA4	QMC6	QMC8	QMD6	QME4	QMP4	QMZ2	QNT	QNT4	QPU	QW24	QWA4
Crankshaft	20mm Ø Spline													
	21mm Ø Pinion													
	20mm Ø Straight													
	19.05mm Ø Straight	●	●	●	●	●	●	●	●	●	●	●	●	
	3/16" Tapered													
	1/5" Tapered													
	3/4" Thread													
	M16 Thread													
	M18 Thread													
	1/2" Thread													
5/8" Thread														
Oil alert unit		●		●	●				●	●		●	●	
Engine stop switch			●	●	●	●		●	●	●		●	●	
Engine stop switch (~1654685)														
Air cleaner	Dual	●		●	●			●	●		●	●	●	
	Semi dry		●											
	Oil bath					●	●							
	Standard													
Cyclone										●				
Spark arrester		(●)	(●)	●	●	(●)	(●)	●	●	●	(●)	(●)	●	
Fuel tank		●	●	●	●	●	●	●	●	●	●	●	●	
Coil	Lamp coil		●		●									
	Charge coil	●												
Starter motor		●												
Reduction														
Muffler cover		(●)	(●)	(●)	(●)	(●)	(●)		(●)	(●)		(●)	(●)	

Specifications		Model	GX160UT1											
		Type	QWW2	QWX2	QX2	QX26	QX4	QX7	QX9	QXC9	QXE2	QXE4	QXE5	QXE8
Crankshaft	20mm Ø Spline													
	21mm Ø Pinion													
	20mm Ø Straight													
	19.05mm Ø Straight	●	●	●	●	●	●	●	●	●	●	●	●	
	3/16" Tapered													
	1/5" Tapered													
	3/4" Thread													
	M16 Thread													
	M18 Thread													
	1/2" Thread													
5/8" Thread														
Oil alert unit		●	●	●	●	●	●	●	●	●	●	●	●	
Engine stop switch		●	●	●	●	●	●	●	●					
Engine stop switch (~1654685)														
Air cleaner	Dual	●	●	●	●	●	●	●		●	●	●	●	
	Semi dry													
	Oil bath													
	Standard													
Cyclone									●					
Spark arrester		(●)	(●)	(●)	(●)	(●)	(●)	(●)	(●)	(●)	(●)	(●)	(●)	
Fuel tank		●	●	●	●	●	●	●	●	●	●	●	●	
Coil	Lamp coil													
	Charge coil									●	●	●	●	
Starter motor										●	●	●	●	
Reduction														
Muffler cover		(●)				(●)	(●)	(●)			(●)	(●)		

Specifications		Model	GX160UT1											
		Type	QXF2	QXS2	QXU	QXW	QXWE	RH2	RHQ4	RTB2	RX4	RXE2	RXU	SD16
Crankshaft	20mm Ø Spline													
	21mm Ø Pinion													
	20mm Ø Straight						●	●	●	●	●	●	●	
	19.05mm Ø Straight	●	●	●	●	●								
	3/16" Tapered													
	1/5" Tapered													
	3/4" Thread													
	M16 Thread													
	M18 Thread													
	1/2" Thread													
	5/8" Thread													
Oil alert unit		●	●	●	●	●				●	●	●		
Engine stop switch		●	●	●			●	●	●	●		●	●	
Engine stop switch (~1654685)														
Air cleaner	Dual	●	●	●	●	●	●	●	●	●	●	●		
	Semi dry												●	
	Oil bath													
	Standard													
Cyclone														
Spark arrester		(●)	(●)	(●)	(●)	(●)	(●)	(●)	(●)	(●)	(●)	(●)	(●)	
Fuel tank		●	●	●	●	●	●	●	●	●	●	●	●	
Coil	Lamp coil		●											
	Charge coil				●	●					●			
Starter motor					●	●					●			
Reduction							●	●	●	●	●	●		
Muffler cover					(●)	(●)		(●)		(●)				

Specifications		Model	GX160UT1										
		Type	SG24	SHQ4	SMC7	SMC9	SSX2	SWX2	SX4	SX7	SX9	SXE4	SXE5
Crankshaft	20mm Ø Spline												
	21mm Ø Pinion												
	20mm Ø Straight	●	●	●	●	●	●	●	●	●	●	●	●
	19.05mm Ø Straight												
	3/16" Tapered												
	1/5" Tapered												
	3/4" Thread												
	M16 Thread												
	M18 Thread												
	1/2" Thread												
5/8" Thread													
Oil alert unit		●		●	●	●	●	●	●	●	●	●	●
Engine stop switch		●	●	●	●	●	●	●	●	●			●
Engine stop switch (~1654685)													
Air cleaner	Dual	●	●	●	●	●	●	●	●	●	●	●	●
	Semi dry												
	Oil bath												
	Standard												
Cyclone													
Spark arrester		●	(●)	●	●	●	(●)	(●)	(●)	(●)	(●)	(●)	●
Fuel tank		●	●	●	●	●	●	●	●	●	●	●	●
Coil	Lamp coil				●								
	Charge coil										●	●	
Starter motor											●	●	
Reduction													
Muffler cover		(●)	(●)	(●)	(●)		(●)	(●)	(●)	(●)	(●)	(●)	(●)

Specifications		Model	GX160UT1											
		Type	SXU	TCS2	TW24	TX2	TX26	TX4	TXC9	TXDU	TXU	UXU	VA2	VG24
Crankshaft	20mm Ø Spline													
	21mm Ø Pinion													
	20mm Ø Straight	●												
	19.05mm Ø Straight													
	3/16" Tapered											●		
	1/5" Tapered													●
	3/4" Thread													
	M16 Thread													
	M18 Thread													
	1/2" Thread										●			
	5/8" Thread			●	●	●	●	●	●	●	●			
Oil alert unit		●	●	●	●	●	●	●	●	●	●	●	●	
Engine stop switch		●	●	●	●	●	●	●	●	●	●	●	●	
Engine stop switch (~1654685)														
Air cleaner	Dual	●	●	●	●	●	●		●	●	●	●	●	
	Semi dry													
	Oil bath													
	Standard													
	Cyclone								●					
Spark arrester		(●)	(●)	(●)	(●)	(●)	(●)	(●)	●	(●)	(●)	●	●	
Fuel tank		●		●	●	●	●	●	●	●	●	●	●	
Coil	Lamp coil													
	Charge coil													
Starter motor														
Reduction														
Muffler cover				(●)			(●)						(●)	

Specifications		Model	GX160UT1											
		Type	VG29	VGE4	VGE5	VHA9	VHH4	VMS4	VPM4	VPM5	VPM8	VPM9	VPMN	VPR4
Crankshaft	20mm Ø Spline													
	21mm Ø Pinion													
	20mm Ø Straight													
	19.05mm Ø Straight													
	3/16" Tapered		●	●	●	●	●	●	●	●	●	●	●	●
	1/5" Tapered	●												
	3/4" Thread													
	M16 Thread													
	M18 Thread													
	1/2" Thread													
5/8" Thread														
Oil alert unit			●	●	●	●	●	●	●	●	●	●	●	●
Engine stop switch			●	●		●	●	●	●	●	●	●	●	
Engine stop switch (~1654685)														
Air cleaner	Dual		●	●	●	●	●							
	Semi dry													
	Oil bath													
	Standard							●	●	●	●	●	●	●
	Cyclone	●												
Spark arrester			●	(●)	(●)	(●)	(●)	●	(●)	(●)	(●)	(●)	(●)	●
Fuel tank			●					●						
Coil	Lamp coil													
	Charge coil													
Starter motor														
Reduction														
Muffler cover			(●)			(●)	(●)	(●)						

Specifications		Model	GX160UT1										
		Type	VPR9	VS17	VS19	VSD	VSD1	VSD7	VSD9	VWA2	VWW2	VWWN	VX2
Crankshaft	20mm Ø Spline												
	21mm Ø Pinion												
	20mm Ø Straight												
	19.05mm Ø Straight												
	3/16" Tapered	●	●	●	●	●	●	●	●	●	●	●	●
	1/5" Tapered												
	3/4" Thread												
	M16 Thread												
	M18 Thread												
	1/2" Thread												
5/8" Thread													
Oil alert unit		●	●	●	●	●	●	●	●	●	●	●	●
Engine stop switch			●	●	●	●	●	●	●	●	●	●	●
Engine stop switch (~1654685)													
Air cleaner	Dual				●		●	●	●			●	●
	Semi dry												
	Oil bath												
	Standard	●	●	●		●				●	●		
Cyclone													
Spark arrester		●	●	●	(●)	●	(●)	(●)	●	(●)	(●)	(●)	(●)
Fuel tank					●		●	●	●			●	●
Coil	Lamp coil												
	Charge coil												
Starter motor													
Reduction													
Muffler cover					(●)		(●)	(●)					(●)

Specifications		Model	GX160UT1											
		Type	VXE9	VXU1	VXW2	WKS	WKT2	WKT4	WKT6	WMB0	QAX4	QHQU	QXC4	QXP2
Crankshaft	20mm Ø Spline													
	21mm Ø Pinion													
	20mm Ø Straight													
	19.05mm Ø Straight									●	●	●	●	
	3/16" Tapered	●	●	●										
	1/5" Tapered													
	3/4" Thread													
	M16 Thread				●									
	M18 Thread					●	●	●	●					
	1/2" Thread													
	5/8" Thread													
Oil alert unit		●	●	●	●	●	●	●		●		●	●	
Engine stop switch			●	●	●	●	●	●	●	●	●	●		
Engine stop switch (~1654685)														
Air cleaner	Dual	●	●	●							●			
	Semi dry				●	●	●	●	●					
	Oil bath													
	Standard													
	Cyclone											●		
Spark arrester		(●)	(●)	(●)	(●)	●	●	●	(●)	(●)	(●)	●	(●)	
Fuel tank		●	●		●	●	●	●	●	●	●	●	●	
Coil	Lamp coil													
	Charge coil	●								●			●	
Starter motor		●											●	
Reduction														
Muffler cover		(●)						(●)		(●)		(●)		

Specifications		Model	GX160UT1							GX160RT1		GX160UT2	
		Type	RXP2	SG22	SHQU	SX2	SXS	SXS2	VGE2	VSD2	RHG4	SWG4	HH26
Crankshaft	20mm Ø Spline												
	21mm Ø Pinion											●	●
	20mm Ø Straight		●	●	●	●	●			●	●		
	19.05mm Ø Straight												
	3/16" Tapered							●	●				
	1/5" Tapered												
	3/4" Thread												
	M16 Thread												
	M18 Thread												
	1/2" Thread												
5/8" Thread													
Oil alert unit			●	●		●	●	●	●	●		●	
Engine stop switch				●	●	●	●	●	●	●		●	●
Engine stop switch (~1654685)													
Air cleaner	Dual		●	●	●	●	●	●	●	●	●	●	●
	Semi dry												
	Oil bath												
	Standard												
Cyclone													
Spark arrester			(●)	●	(●)	(●)	(●)	●	(●)	(●)	(●)	(●)	(●)
Fuel tank			●	●	●	●	●		●			●	●
Coil	Lamp coil												
	Charge coil		●										
Starter motor			●								●		
Reduction			●							●		●	●
Muffler cover				(●)	(●)	(●)	(●)	(●)	(●)	(●)	(●)		(●)

Specifications		Model	GX160UT2											
		Type	HX2	HX4	HXE8	LHN4	LHQ4	LX2	LX4	LXM2	PXU	QA2	QAX2	QAX4
Crankshaft	20mm Ø Spline					●	●	●	●	●				
	21mm Ø Pinion	●	●	●										
	20mm Ø Straight													
	19.05mm Ø Straight										●	●	●	
	3/16" Tapered													
	1/5" Tapered													
	3/4" Thread									●				
	M16 Thread													
	M18 Thread													
	1/2" Thread													
5/8" Thread														
Oil alert unit		●	●	●			●	●	●	●		●	●	
Engine stop switch		●	●			●	●	●	●	●	●	●	●	
Engine stop switch (~1654685)														
Air cleaner	Dual	●	●	●	●	●	●	●	●	●		●	●	
	Semi dry													
	Oil bath										●			
	Standard													
Cyclone														
Spark arrester		(●)	(●)	(●)	(●)	(●)	(●)	(●)	●	(●)	●	(●)	(●)	
Fuel tank		●	●	●	●	●	●	●	●	●	●	●	●	
Coil	Lamp coil													
	Charge coil			●								●	●	
Starter motor				●										
Reduction		●	●	●	●	●	●	●	●					
Muffler cover			(●)		(●)	(●)		(●)						

Specifications		Model	GX160UT2											
		Type	QBC2	QBM2	QGR9	QH26	QH44	QMC6	QMC8	QMD6	QME4	QMP4	QMX2	QPU
Crankshaft	20mm Ø Spline													
	21mm Ø Pinion													
	20mm Ø Straight													
	19.05mm Ø Straight	●	●	●	●	●	●	●	●	●	●	●	●	
	3/16" Tapered													
	1/5" Tapered													
	3/4" Thread													
	M16 Thread													
	M18 Thread													
	1/2" Thread													
5/8" Thread														
Oil alert unit				●				●	●			●		
Engine stop switch			●	●	●	●	●	●	●	●		●		
Engine stop switch (~1654685)														
Air cleaner	Dual	●	●	●	●	●		●	●			●	●	
	Semi dry						●							
	Oil bath									●	●			
	Standard													
Cyclone														
Spark arrester		●	●	(●)	(●)	(●)	(●)	●	●	(●)	(●)	●	(●)	
Fuel tank		●	●	●	●	●	●	●	●	●	●		●	
Coil	Lamp coil						●		●					
	Charge coil			●										
Starter motor														
Reduction														
Muffler cover						(●)	(●)	(●)	(●)	(●)	(●)			

Specifications		Model	GX160UT2										
		Type	QWA4	QWX2	QX2	QX4	QX9	QXE2	QXE5	QXE8	QXM2	QXS2	QXU
Crankshaft	20mm Ø Spline												
	21mm Ø Pinion												
	20mm Ø Straight												
	19.05mm Ø Straight	●	●	●	●	●	●	●	●	●	●	●	●
	3/16" Tapered												
	1/5" Tapered												
	3/4" Thread												
	M16 Thread												
	M18 Thread												
	1/2" Thread												
5/8" Thread													
Oil alert unit		●	●	●	●	●	●	●	●	●	●	●	●
Engine stop switch		●	●	●	●	●				●	●	●	
Engine stop switch (~1654685)													
Air cleaner	Dual	●	●	●	●	●	●	●	●	●	●	●	●
	Semi dry												
	Oil bath												
	Standard												
Cyclone													
Spark arrester		●	(●)	(●)	(●)	(●)	(●)	(●)	(●)	●	(●)	(●)	(●)
Fuel tank		●	●	●	●	●	●	●	●	●	●	●	●
Coil	Lamp coil										●		
	Charge coil						●	●	●				●
Starter motor							●	●	●				●
Reduction													
Muffler cover		(●)			(●)	(●)		(●)					(●)

Specifications		Model	GX160UT2											
		Type	RH2	RHQ4	RX4	RXE2	RXU	S1CY	SD16	SHQ4	SHRY	SMC7	SMC9	SMW2
Crankshaft	20mm Ø Spline													
	21mm Ø Pinion													
	20mm Ø Straight	●	●	●	●	●	●	●	●	●	●	●	●	
	19.05mm Ø Straight													
	3/16" Tapered													
	1/5" Tapered													
	3/4" Thread													
	M16 Thread													
	M18 Thread													
	1/2" Thread													
5/8" Thread														
Oil alert unit				●	●	●					●	●	●	
Engine stop switch		●	●	●		●	●	●	●	●	●	●	●	
Engine stop switch (~1654685)														
Air cleaner	Dual	●	●	●	●	●	●		●		●	●	●	
	Semi dry							●		●				
	Oil bath													
	Standard													
Cyclone														
Spark arrester		(●)	(●)	(●)	(●)	(●)	●	(●)	(●)	(●)	●	●	●	
Fuel tank		●	●	●	●	●	●	●	●	●	●	●	●	
Coil	Lamp coil											●		
	Charge coil				●									
Starter motor					●									
Reduction		●	●	●	●	●								
Muffler cover			(●)	(●)			(●)		(●)		(●)	(●)		

Specifications		Model	GX160UT2										
		Type	SSX2	SWX2	SX4	SX9	SXE5	SXS4	SXU	TX2	TX4	TXDU	UXU
Crankshaft	20mm Ø Spline												
	21mm Ø Pinion												
	20mm Ø Straight	●	●	●	●	●	●	●					
	19.05mm Ø Straight												
	3/16" Tapered												●
	1/5" Tapered												
	3/4" Thread												
	M16 Thread												
	M18 Thread												
	1/2" Thread											●	
	5/8" Thread								●	●	●		
Oil alert unit		●	●	●	●	●	●	●	●	●	●	●	●
Engine stop switch		●	●	●	●		●	●	●	●	●	●	●
Engine stop switch (~1654685)													
Air cleaner	Dual	●	●	●	●	●	●	●	●	●	●	●	●
	Semi dry												
	Oil bath												
	Standard												
	Cyclone												
Spark arrester		●	(●)	(●)	(●)	(●)	●	(●)	(●)	(●)	●	(●)	●
Fuel tank		●	●	●	●	●	●	●	●	●	●	●	●
Coil	Lamp coil												
	Charge coil					●							
Starter motor						●							
Reduction													
Muffler cover			(●)	(●)	(●)	(●)	(●)			(●)			

Specifications		Model	GX160UT2						GX160RT2				
		Type	VSD9	VX2	VXE9	VXU1	WKS	WKT2	WMB0	EMAN	QHG4	RHG4	SWG4
Crankshaft	20mm Ø Spline												
	21mm Ø Pinion												
	20mm Ø Straight										●	●	
	19.05mm Ø Straight									●			
	3/16" Tapered		●	●	●	●							
	1/5" Tapered								●				●
	3/4" Thread												
	M16 Thread						●						
	M18 Thread							●	●				
	1/2" Thread												
5/8" Thread													
Oil alert unit			●	●	●	●	●	●	●			●	●
Engine stop switch			●	●		●	●	●	●	●	●		
Engine stop switch (~1654685)													
Air cleaner	Dual		●	●	●	●				●	●	●	
	Semi dry						●	●	●				
	Oil bath												
	Standard								●				●
Cyclone													
Spark arrester			(●)	(●)	(●)	(●)	(●)	●	(●)	(●)	(●)	(●)	●
Fuel tank			●	●	●	●	●	●					
Coil	Lamp coil								●				
	Charge coil				●								
Starter motor					●							●	
Reduction											●		
Muffler cover			(●)		(●)				(●)		(●)	(●)	

Specifications		Model	GX160RT2					
		Type	VGE4	VGE5	VHH4	VPM5	VS19	VWS
Crankshaft	20mm Ø Spline							
	21mm Ø Pinion							
	20mm Ø Straight							
	19.05mm Ø Straight							
	3/16" Tapered	●	●	●	●	●	●	●
	1/5" Tapered							
	3/4" Thread							
	M16 Thread							
	M18 Thread							
	1/2" Thread							
5/8" Thread								
Oil alert unit		●	●	●	●	●	●	●
Engine stop switch		●		●	●	●		●
Engine stop switch (~1654685)								
Air cleaner	Dual	●	●	●				
	Semi dry							
	Oil bath							
	Standard				●	●	●	●
Cyclone								
Spark arrester		(●)	(●)	(●)	(●)	●		(●)
Fuel tank								
Coil	Lamp coil							
	Charge coil							
Starter motor								
Reduction								
Muffler cover				(●)				

Fuel hose, general purpose hoses and vinyl hose

- The standard part fuel hose, general purpose hose and vinyl hose may be substituted by the coiled bulk part.
- When ordering the standard part fuel hose, general purpose hose and vinyl hose use the bulk part number written in the parts catalog in brackets () underneath the part name.
- When exchanging the hose, cut and use at the specified length as mentioned in the part name.
(For the method of cutting the bulk part, and method of filling out orders etc., please refer to the instructions issued with the bulk part.)

Bulk part number of fuel hose, general purpose hose and vinyl hose.

Example: 9 5 0 0 1 - 7 5 0 0 1 - 5 0 M

Bulk part number:
Refers to the bulk part.

Marking code (fuel hose and general purpose hose)

Change code (Vinyl hose)

Indicates number mark or change sequence, however, the code for the bulk part must be strictly 0 (zero).

Types of code:

- Fuel hose
 - 2: Red outside braid (3 mm inside dia. only)
 - 5: Black inside braid
 - 3: Red (3 mm inside dia. only)
 - 4: Ash gray with red stripe (3 mm inside dia. only)
 - 6: Black

- General hose
 - 1: Ash gray
 - 2: Ash gray
 - 3: Black
 - 5: Black

- Vinyl hose
 - 1: Clear
 - 2: Black
 - 3: Light red
 - 6: Light red
 - 7: Pale black

Lengths:

- 001: 1 m (standard)
 - 003: 3 m
 - 008: 8 m
- Application or specification of some parts is not settled.

I.D code: (fuel hose and general purpose hose)

- | | | | | |
|------------|--------------------|--------------------|-----------------------------|-----------------------------|
| 30: 3.0 mm | 50: 5.0 mm | 70: 7.0 mm | 11: 11 mm | 12: 12 (outside dia. 17) mm |
| 35: 3.5 mm | 55: 5.3 mm, 5.5 mm | 75: 7.3 mm, 7.5 mm | 91: 12 (outside dia. 15) mm | 14: 14 mm |
| 45: 4.5 mm | 65: 6.5 mm | 80: 8.0 mm | 92: 12 (outside dia. 16) mm | 17: 17 mm |

ID./OD. code: (vinyl hose)

- | | | | | |
|-------------------------|--------------------------|---------------------------|---------------------------|---------------------------|
| 01: ID. 2.9, OD. 6.8 mm | 12: ID. 5.0, OD. 7.0 mm | 21: ID. 8.0, OD. 9.0 mm | 37: ID. 11.0, OD. 15.0 mm | 50: ID. 16.0, OD. 19.0 mm |
| 03: ID. 3.0, OD. 6.0 mm | 10: ID. 5.0, OD. 8.0 mm | 23: ID. 8.0, OD. 12.0 mm | 38: ID. 12.0, OD. 13.0 mm | 55: ID. 17.5, OD. 20.5 mm |
| 05: ID. 3.5, OD. 6.5 mm | 11: ID. 5.0, OD. 9.0 mm | 25: ID. 9.0, OD. 11.0 mm | 39: ID. 12.0, OD. 14.0 mm | 60: ID. 22.0, OD. 27.0 mm |
| 07: ID. 4.0, OD. 7.0 mm | 14: ID. 6.0, OD. 9.0 mm | 27: ID. 9.0, OD. 13.0 mm | 40: ID. 12.0, OD. 16.0 mm | |
| 08: ID. 4.5, OD. 6.5 mm | 17: ID. 7.0, OD. 9.0 mm | 33: ID. 10.0, OD. 14.0 mm | 43: ID. 13.0, OD. 15.0 mm | |
| 09: ID. 4.5, OD. 8.0 mm | 19: ID. 7.0, OD. 11.0 mm | 36: ID. 11.0, OD. 13.0 mm | 45: ID. 14.0, OD. 18.0 mm | |

Hose type:

- 1: Fuel hose
- 3: Vinyl hose
- 5: General hose

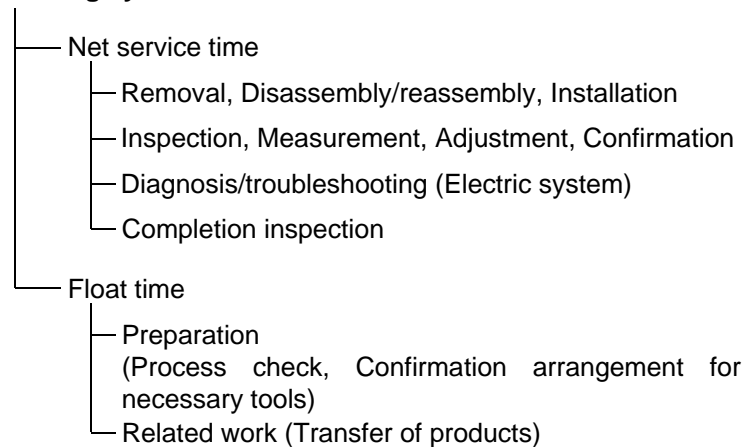
⊙ **CAUTION: It is DANGEROUS to confuse the fuel hose with the general purpose hose or vinyl hose.**

Never use a general purpose hose or vinyl hose in place of a fuel hose or vice versa. Always use the correct bulk part in the parts catalogue, according to the service manual or the instructions issued with the bulk part.

FLAT RATE SERVICE TIME

Flat rate service time (FRT) means the standard time required to service a product, which is listed in this manual to help the dealers control the actual working process and calculate the service charge by using it as a guide.

FRT setting system



* Float time is set by multiplying the net service time by a given coefficient.

Editorial style

The service items shown in the text are listed with the exchange work time for the repair sales parts as the subject. Other representative service items not using repair parts (removal/installation, adjustment, inspection/measuring, and other work) are listed collectively in the list in the preface, classified according to the work.

FRT setting standard

- Decimal system (in unit of 0.1) is adopted to set FRT as it is convenient to calculate the wage.
Example: (0.1) → 6 minutes, (0.2) → 12 minutes
[Labor cost per hour] x [FRT] = [Wage]
- FRT is set with a hand tool.
- Service items and FRT can be subject to change depending on development of tools and service equipment and improvement in service procedure.

Work procedure

- As the work procedure is set with the work time according to the method in the separate Service Manual, refer to this Manual as required.
- Work methods permitting servicing in the shortest time still permitting assurance of safe work and product warranty are used for the setting of service items not listed in the Service Manual.
- Work basically is to be performed by one person, and when two or more people are required, setting is done as the total time for the number of people.
- The set value for the technological level of the workers uses a person with three years of experience in the repair of Honda products as the standard.
- Special tools and service equipment used to set FRT are those specified or recommended in Service Manual.

Service item whose FRT is not presented

- Accessories and service parts that are not listed to use in this manual.
 - Locations with little aging deterioration or breakage during normal use.
 - Service work that can be finished by one touch.
 - Service work that is seldom done (i.e. extremely small causes of trouble and service frequency).
 - Products and parts whose location for installation differs according to its status of use and application.
- * When FRT is not presented, please calculate wages based on appropriate actual work time.

Operation not included of FRT

- Oil and coolant water draining, Waiting time for warming up operation and etc..
- Additional operation that involves removal/installation of standard exterior equipment.
- Indirect time spent for service by visiting the customer, trade-in, and delivery.
- Indirect time required for ordering and delivery of parts.
- Cost for grease, adhesive agent, etc. used for service work.

**Explanation of FRT by using an example
(The example may differ from the actual presented items)**

Ref. No.	L.O.N.	(Relative ref. Number) Description	F.R.T.
①	1111L1	④ (1, 3, 4, 7) VALVE, INTAKE4.1	②
②		⑥ • NOTE: OHV type	⑦
③	1111L1A	⑤ • Includes: Engine removal and installation One head (intake all) add1.4	

- ① Reference No. of the illustration of part that shows location of the replacement work.
- ② FRT is an abbreviation of Flat Rate Time indicating the standard service time required for the replacement.
- ③ LON is an abbreviation of Labor Operation Number, and it is a classification of the service items by the work unit code.

The same operation code is used regardless of the models.

Standard operation is indicated with 6 digits code, and additional operation is indicated with 7 digits code.

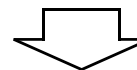
- ④ Indicating the intake valve replacement and FRT4.1.
- ⑤ Indicating FRT1.4 that will be added when additional operation (whole intake side of one cylinder head) is done in association with intake valve replacement.

- ⑥ Indicating work condition or application condition of the service item.
- ⑦ Indicating work contents that are included in the service item.
- ⑧ Indicating a reference No. whose operation and time are the same as FRT4.1 for the intake valve.

(The application range is limited to the service items without an LON setting within a same block.)

**How to refer to the service item by using the sample
(intake valve replacement)**

Open to the page of the block where the intake valve's spare part illustration is shown.



Look for the intake valve illustration, and refer to the service item and FRT that agree with the reference No.

Indication mark for the listing of service items that continues to the following page

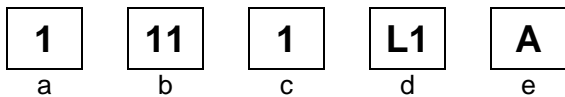
Ref. No.	L.O.N.	(Relative ref. Number) Description	F.R.T.
2	1111L1	VALVE, INTAKE	4.1
	.	.	.
	.	.	.

+
Mark indicated at the last line.

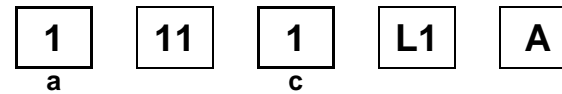
Indication of the block with no setting of FRT

Ref. No.	L.O.N.	(Relative ref. Number) Description	F.R.T.
NO INFORMATION			

• LON code system



- a) Category code..... Engine
- b) Location/function code Engine upper
- c) Operation code..... Replace
- d) Operation sequence number (Unit code can be shown with alphabet)
..... Intake valve
(No regular rule of code)
- e) Additional code One head (intake all)
(No regular rule of code)



a) Category codes and classification

Code	Category
1	Engine
2	Power drive
3	Fuel & Exhaust
4	Frame & Body
5	Steering
6	Electrical
7	Axle & Brake
8	Control system
9	-
0	Attachments

c) Operation codes and classification

Code	Operation category
1	Replace, Removal/Installation, Change
2	Overhaul
3	Adjust, Rotation
4	(Paint-related work: Top-coat)
5	Test, Inspect/diagnose, Measurement
6	(Overhaul-related work: Rebore)
7	(Overhaul-related work: Reseal)
8	(Resurface)
9	(Paint-related work: Refinish)
0	Repair, Cleaning, Air bleeding

Major service items without using spare parts

- (1) Removal/Installation, (2) Adjustment,
(3) Inspection/Masurement, (4) Overhaul, (5) Other work

E: Engine, T: Transmission, D: Drive system,
B: Body and related parts

(1) Removal/Installation

Set with the parts configuration in the status of being removed from the product.

	LON	DESCRIPTION	FRT
E	1111L3	CYLINDER HEAD ASSEMBLY-REMOVAL/INSTALLATION	0.5

(2) Adjustment

	LON	DESCRIPTION	FRT
E	1113A1	VALVE CLEARANCE-ADJUSTMENT NOTE: For 1 product	0.3
	1163A0	CONTROL, THROTTLE/GOVERNOR-ADJUSTMENT	0.2
	3113A2	CARBURETOR IDLE-ADJUSTMENT	0.2

(3) Inspection, Measurement, Cleaning

	LON	DESCRIPTION	FRT
E	1105A0	ENGINE OIL-INSPECTION	0.1
	3120A0	AIR CLEANER-CLEANING INCLUDES: Air cleaner-inspection	0.2
	3130A0	SPARK ARRESTER-CLEANING INCLUDES: Spark arrester-inspection	0.2
	6140A0	SPARK PLUG-ADJUSTMENT/CLEANING INCLUDES: Spark plug check NOTE: For 1 product	0.1

(4) Overhaul

Work condition: The required Measurements, inspections, adjustments, and cleaning/washing of each part are performed, including the main body removal/installation work and the replacement of defective parts.

	LON	DESCRIPTION	FRT
E	3112A0	CARBURETOR-OVERHAUL INCLUDES: All necessary adjustment	0.6

(5) Other work

	LON	DESCRIPTION	FRT
E	1101E1	ENGINE OIL-CHANGE INCLUDES: Engine oil-inspection	0.2

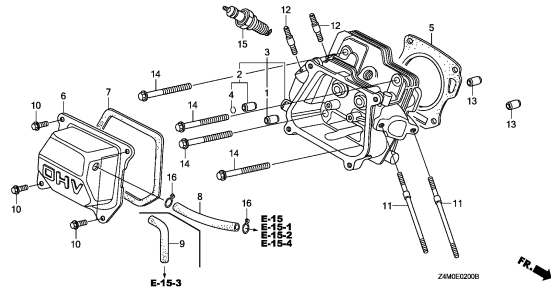
ENGINE GROUP

D 4

E-2

CYLINDER HEAD

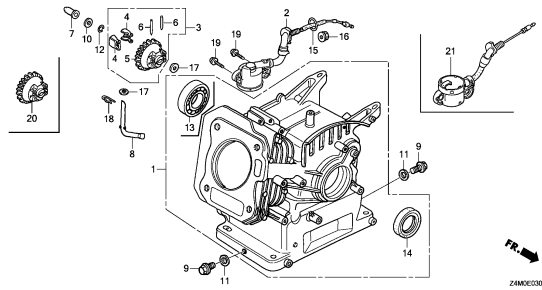
E 1



E-3

CYLINDER BARREL

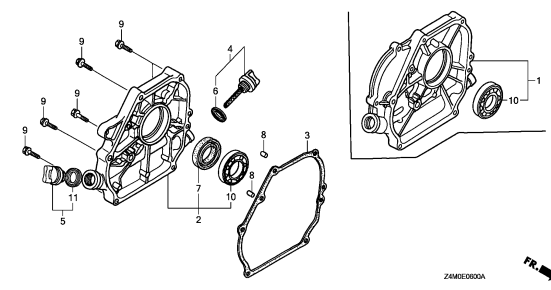
E 5



E-6

CRANKCASE COVER

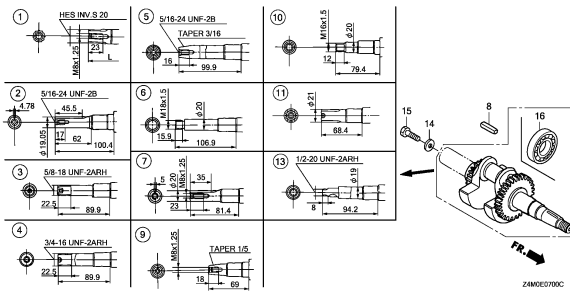
E 9



E-7

CRANKSHAFT

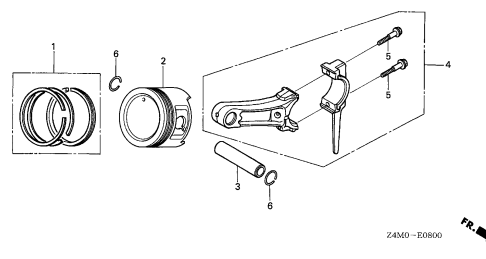
E11



E-8

PISTON

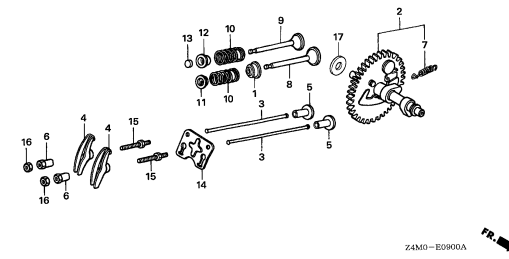
E13



E-9

CAMSHAFT

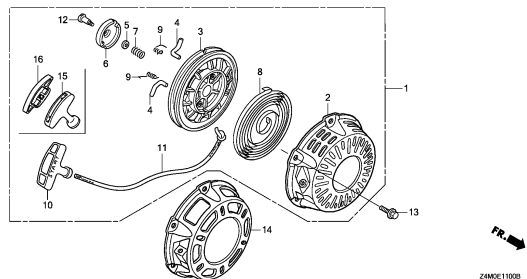
F 3



E-11

RECOIL STARTER

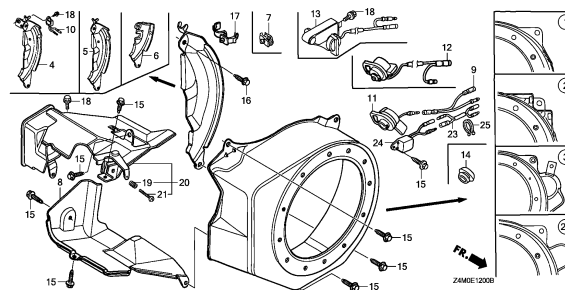
F 7



E-12

FAN COVER

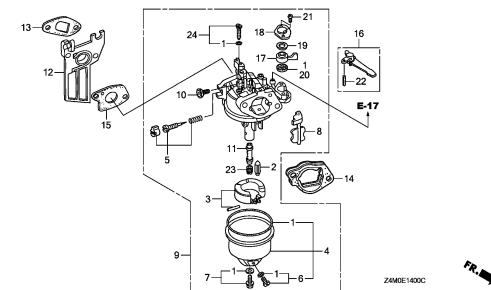
F13



E-14

CARBURETOR(1)

G 2



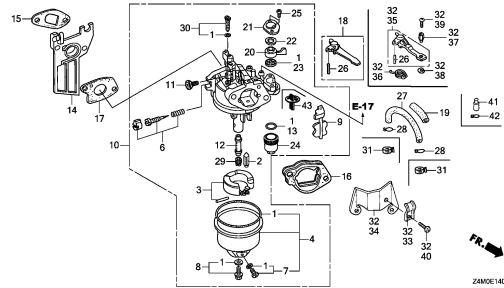
ENGINE GROUP

D 5

E-14-1

CARBURETOR(2)

G 4

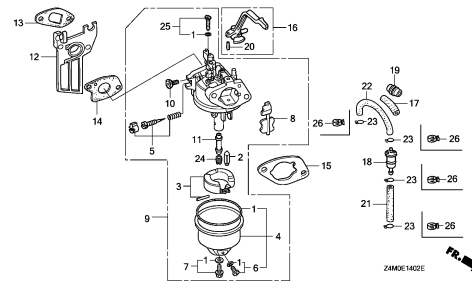


ZAMKE1401F

E-14-2

CARBURETOR(3)

G15

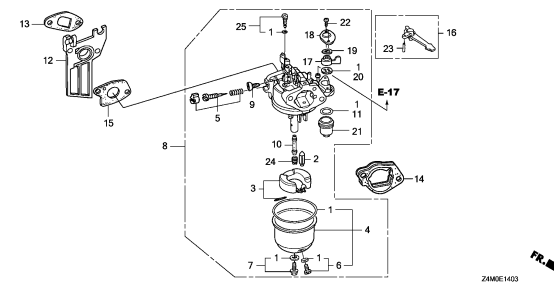


ZAMKE1402E

E-14-3

CARBURETOR(4)

H 1

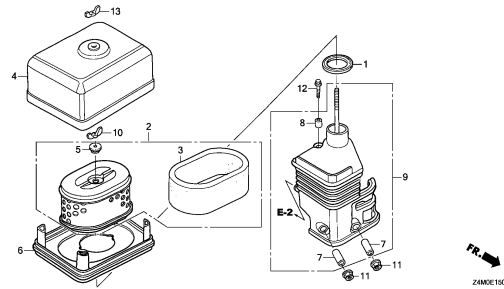


ZAMKE1403

E-15

AIR CLEANER(1)

H 3

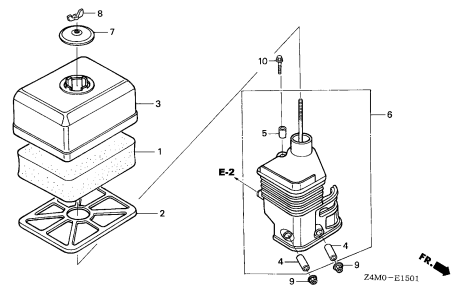


ZAMKE1500A

E-15-1

AIR CLEANER(2)

H 7

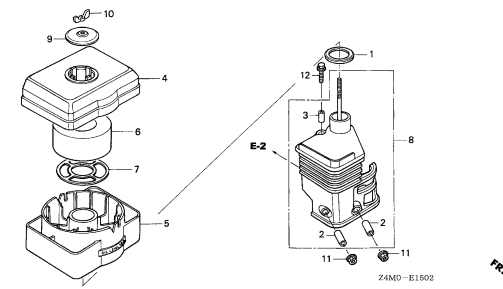


ZAMKE1501

E-15-2

AIR CLEANER(3)

H 8

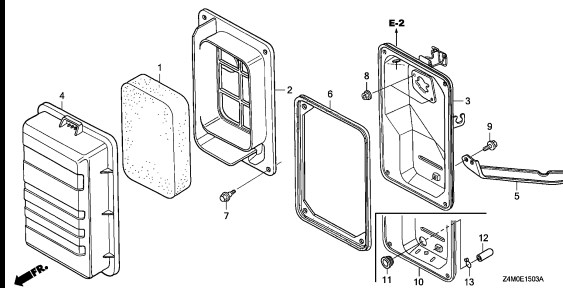


ZAMKE1502

E-15-3

AIR CLEANER(4)

H 9

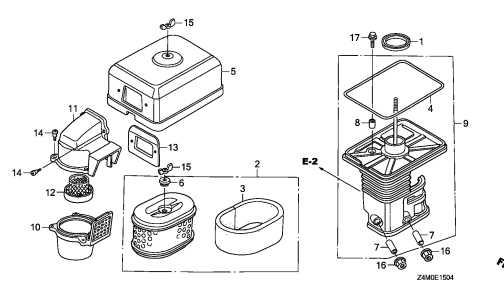


ZAMKE1503A

E-15-4

AIR CLEANER(5)

H10

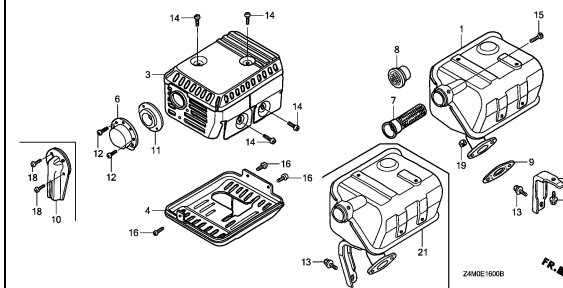


ZAMKE1504

E-16

MUFFLER(1)

H11



ZAMKE1600B

2

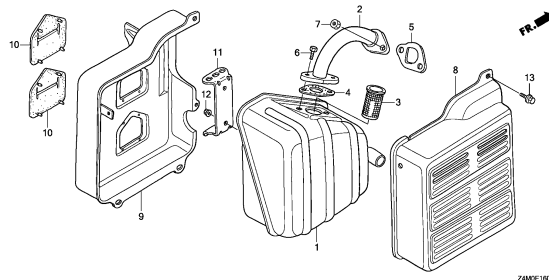
ENGINE GROUP

D 6

E-16-1

MUFFLER(2)

H15

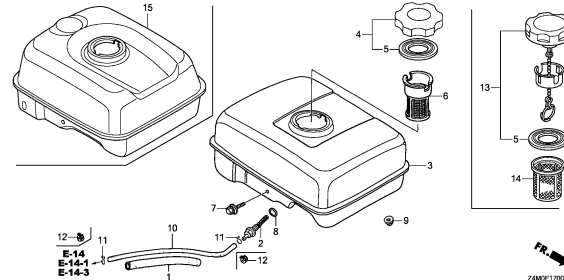


ZAMOE10010

E-17

FUEL TANK

H16



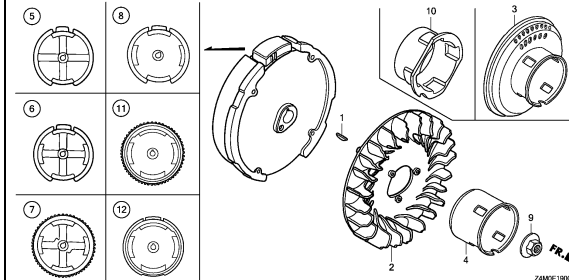
E-14
E-14-1
E-14-3

ZAMOE1700E

E-19

FLYWHEEL

I 6

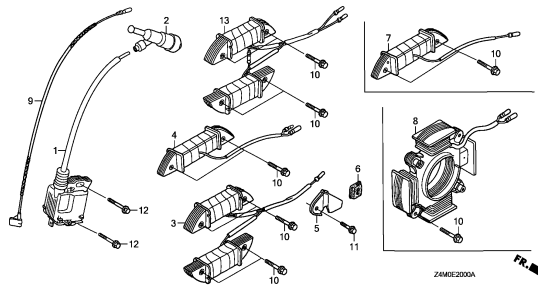


ZAMOE1900B

E-20

IGNITION COIL

I 8

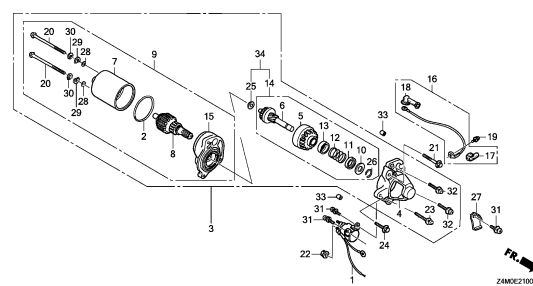


ZAMOE2000A

E-21

STARTER MOTOR

I11

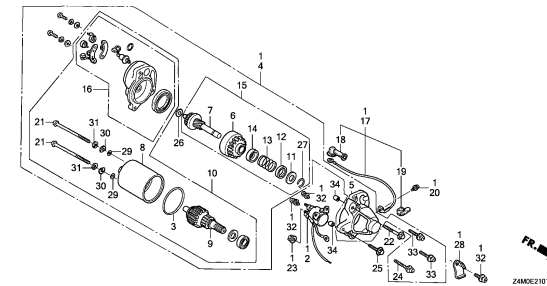


ZAMOE2100A

E-21-1

STARTER MOTOR

I14

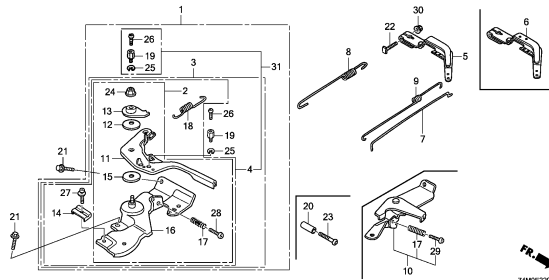


ZAMOE2101

E-22

CONTROL

I16

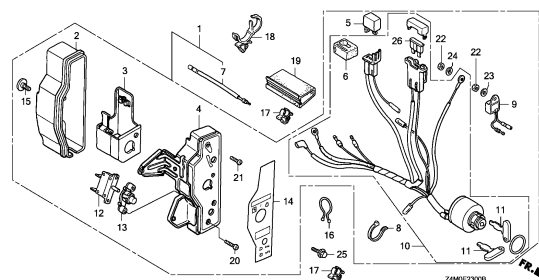


ZAMOE2200B

E-23

CONTROL BOX

J 7

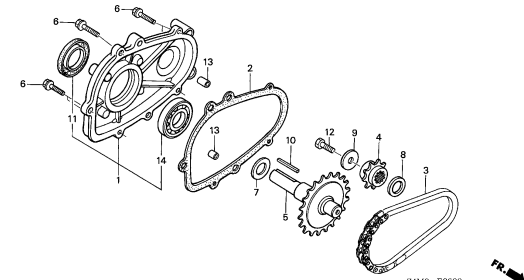


ZAMOE2300B

E-26

REDUCTION(1)

J 9



Z4MO-E2600

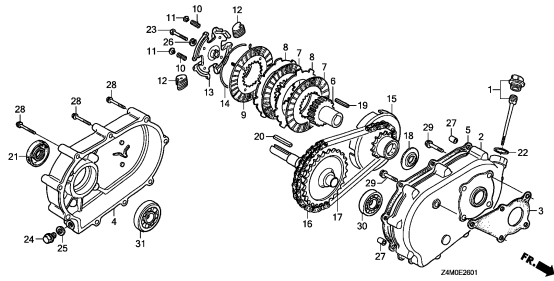
ENGINE GROUP

D 7

E-26-1

J10

REDUCTION(2)

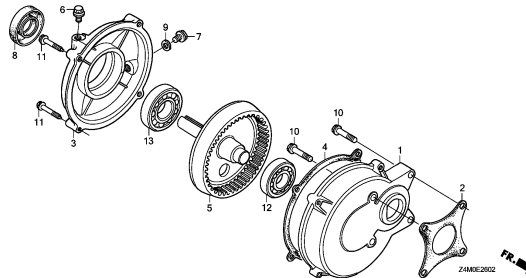


ZAM0E2001

E-26-2

J12

REDUCTION(3)

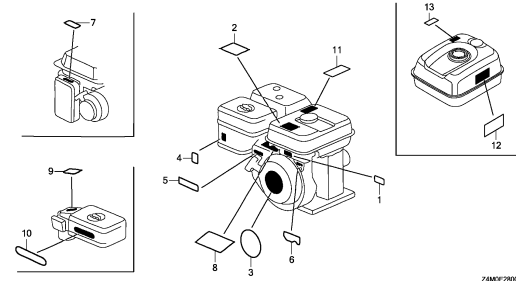


ZAM0E2002

E-28

J13

LABEL

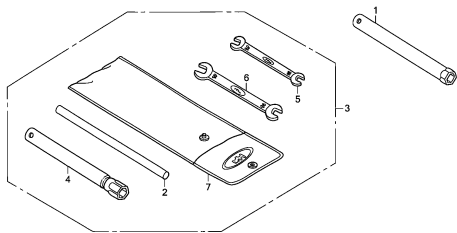


ZAM0E200E

E-29

J16

TOOL

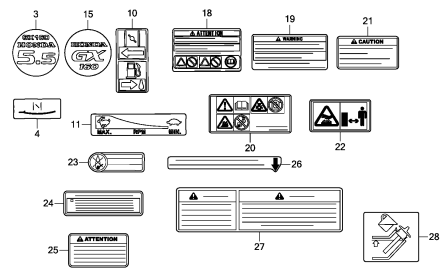


ZAM0E200B

E-40

K 1

OTHER PARTS(1)

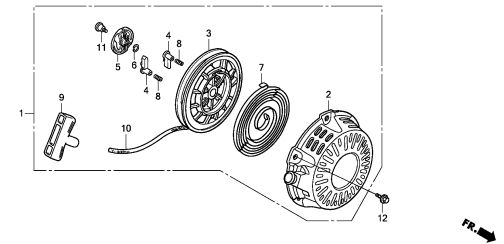


ZAM0E400E

E-40-1

K 3

OTHER PARTS(2)

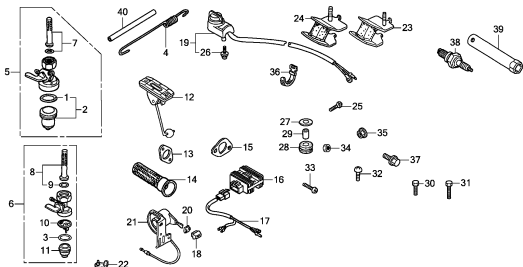


ZAM0E4001

E-40-2

K 4

OTHER PARTS(3)

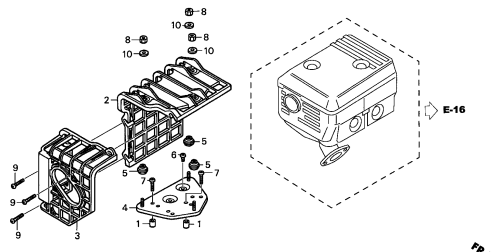


ZAM0E4002

EOP-1

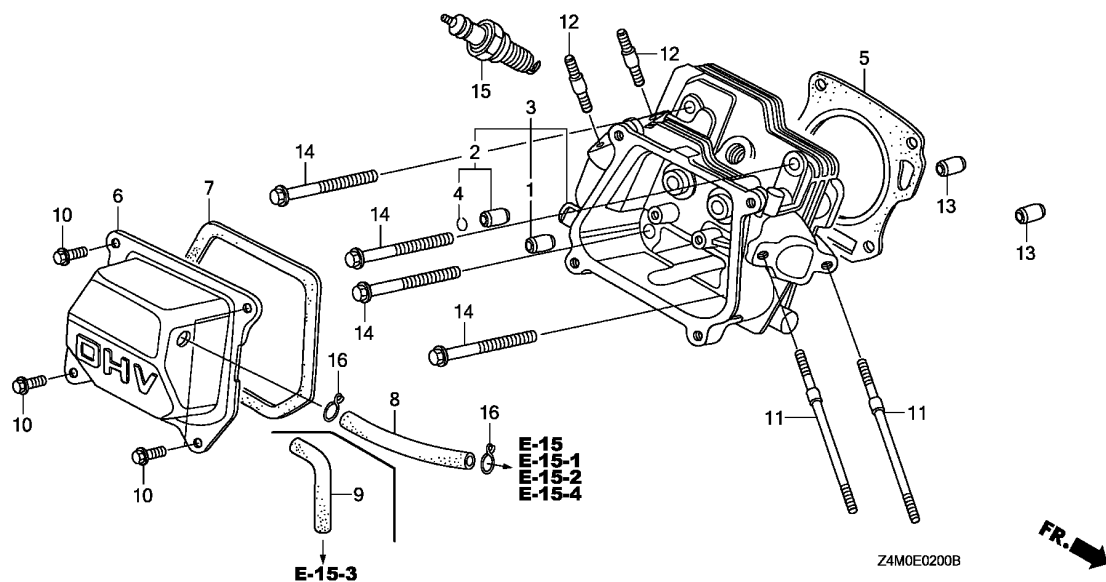
K 6

MUFFLER COVER



ZAM0-X0100

2



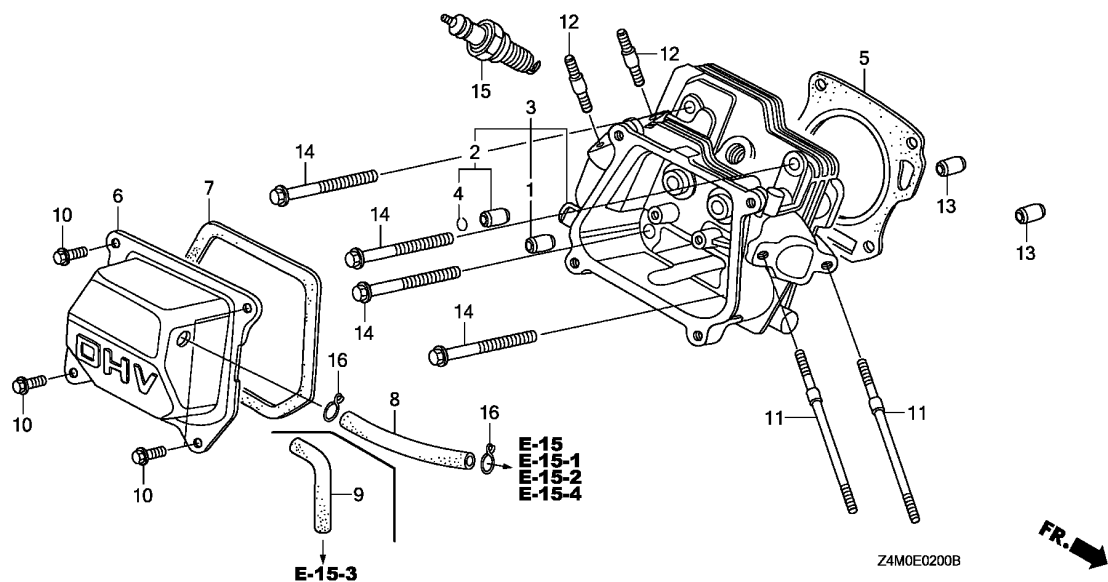
Ref. No.	L.O.N.	(Relative ref. Number) Description	F.R.T.
1	1111E9	GUIDE, INTAKE VALVEINCLUDES: Valve clearance adjustment	0.8
	1111E9E	.Replace intake and exhaust all add	0.2
2	1111E8	GUIDE, EXHAUST VALVEINCLUDES: Valve clearance adjustment	0.8
	1111E8E	.Replace intake and exhaust all add	0.2
3	1111N3	HEAD, CYLINDERINCLUDES: Valve clearance adjustment and reface	0.9
5	1111N4	GASKET, CYLINDER HEAD	0.5
6	1111D5	COVER, CYLINDER HEAD AND/OR PACKING, HEAD COVER	0.1
8	1111K5	TUBE, BREATHER	0.1
15	6141C1	PLUG, SPARKINCLUDES: Spark plug check	0.1



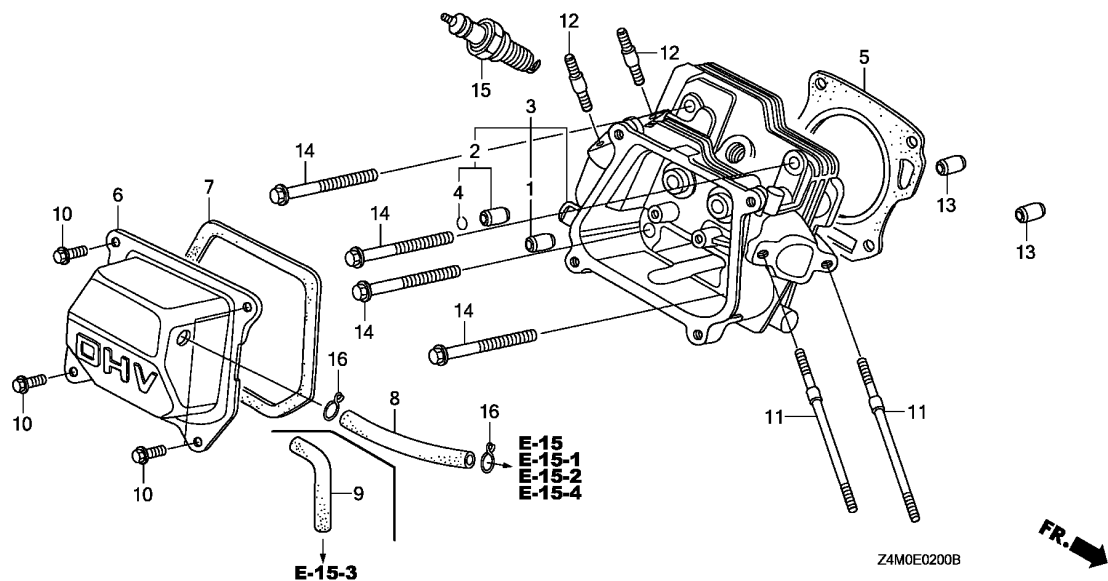
Ref. No.	Part No.	Description	Reqd. QTY				Serial No.	Parts catalogue code
			GX 160 UT1	GX 160 RT1	GX 160 UT2	GX 160 RT2		
1	12204-ZE1-306	GUIDE, IN. VALVE(O.S.)	1	1	1	1		
2	12205-ZE1-315	GUIDE, EX. VALVE(O.S.)	1	1	1	1		
3	12210-ZH8-415 12210-Z4M-405	HEAD COMP., CYLINDER	1	1	-	-		
4	12216-ZE5-300	CLIP, VALVE GUIDE	1	1	1	1		
5	12251-ZOT-801	GASKET, CYLINDER HEAD	1	1	-	-		
	12251-ZF1-800	1	-	-	-	1394710	HH26, HHQ4, HX2, HX4, HXE8, HXU, QAX2, QAX4, QBM2, QHG4, QHQU, QKA4, QNT4, QXC4, QXC9, QXE4, QXE5, QXE8, QXP2, QXW, QXWE, RH2, RHG4, RHQ4, RTB2, RX4, RXE2, RXP2, RXU, SG22, SHQU, SSS2, SWG4, SX2, SXE4, SXE5, SXS, SXS2, TXC9, TXDU, UXU, VG29, VGE2, VPMN, VSD2, VWWN, WMB0
	12251-ZOT-801	1	-	-	-	1584276	LHQ4, LX2, LX26, LX4, LXU, PXU, QA2, QA26, QBC2, QBT6, QCB2, QCL, QGR9, QH26, QHQ4, QMC6, QMC8, QMD6, QME4, QMP4, QM22, QNT, QPU, QW24, QWA4, QWW2, QWX2, QX2, QX26, QX4, QX7, QX9, QXE2, QXF2, QXS2, QXU, SD16, SG24, SHQ4, SMC7, SMC9, SWX2, SX4, SX7, SX9, SXS4, SXU, TCS2, TW24, TX2, TX26, TX4, TXU, VA2, VG24, VGE4, VGE5, VHA9, VHH4, VMS4, VPM4, VPM5, VPM9, VPR4, VPR9, VS17, VS19, VSD, VSD1, VSD7, VWA2, VWW2, VX2, VX4, VXU1, VXW2, WKS, WKT2, WKT4, WKT6
	12251-ZLO-003	1	-	-	-	1584277	VPM8, VSD9, VXE9

Ref. No.	Part No.	Description	Reqd. QTY				Serial No.	Parts catalogue code
			GX 160 UT1	GX 160 RT1	GX 160 UT2	GX 160 RT2		
6	12310-ZE1-020	COVER COMP., HEAD	1	1	-	-	-----	HH26, HHQ4, HX2, HX4, HXE8, HXU, LHQ4, LX2, LX26, LX4, LXU, PXU, QA2, QA26, QAX2, QAX4, QBC2, QBM2, QBT6, QCB2, QCL, QGR9, QH26, QHG4, QHQ4, QHQU, QKA4, QMC6, QMC8, QMD6, QME4, QMP4, QMZ2, QNT, QPU, QW24, QWA4, QWW2, QWX2, QX2, QX26, QX4, QX7, QX9, QXE2, QXE4, QXE5, QXE8, QXF2, QXP2, QXS2, QXU, QXW, QXWE, RH2, RHG4, RHQ4, RTB2, RX4, RXE2, RXP2, RXU, SD16, SG22, SG24, SHQ4, SHQU, SMC7, SMC9, SSSX2, SWG4, SWX2, SX2, SX4, SX7, SX9, SXE4, SXE5, SXS, SXS2, SXS4, SXU, TCS2, TW24, TX2, TX26, TX4, TXDU, TXU, UXU, VA2, VG24, VGE2, VGE4, VGE5, VHA9, VHH4, VMS4, VPM4, VPM5, VPM8, VPM9, VPMN, VPR4, VPR9, VS17, VS19, VSD, VSD1, VSD2, VSD7, VSD9, VWA2, VVW2, VVWN, VX2, VX4, VXE9, VXU1, VXW2, WKS, WKT2, WKT4, WKT6, WMBO
	12310-ZE1-842	COVER COMP., HEAD (BREATHER TUBE)	1	-	-	-	-----	QNT4, QXC4, QXC9, TXC9, VG29
	12310-Z4M-000	COVER COMP., HEAD	-	-	1	1		
7	12391-ZE1-000	PACKING, HEAD COVER	1	1	1	1		
8	15721-ZH8-000	TUBE, BREATHER	1	1	1	1	-----	HH26, HHQ4, HX2, HX4, HXE8, HXU, LHN4, LHQ4, LX2, LX26, LX4, LXM2, LXU, PXU, QA2, QA26, QAX2, QAX4, QBC2, QBM2, QBT6, QCB2, QCL, QGR9, QH26, QHG4, QHQ4, QHQU, QKA4, QMC6, QMC8, QMD6, QME4, QMP4, QMX2, QMZ2, QNT, QPU, QW24, QWA4, QWW2, QWX2, QX2, QX26, QX4, QX7, QX9, QXE2, QXE4, QXE5, QXE8, QXF2, QXM2, QXP2, QXS2, QXU, QXW, QXWE, RH2, RHG4, RHQ4, RTB2, RX4, RXE2, RXP2, RXU, S1CY, SD16, SG22, SG24, SHQ4, SHQU, SHRY, SMC7, SMC9, SMW2, SSSX2, SWG4, SWX2, SX2, SX4, SX7, SX9, SXE4, SXE5, SXS, SXS2, SXS4, SXU, TCS2, TW24, TX2, TX26, TX4, TXDU, TXU, UXU, VA2, VG24, VGE2, VGE4, VGE5, VHA9, VHH4, VMS4, VSD, VSD2, VSD7, VSD9, VWA2, VX2, VX4, VXE9, VXU1, VXW2, WKS, WKT2, WKT4, WKT6, WMBO
	15721-ZE1-840	1	-	-	-	-----	QNT4, QXC4, QXC9, TXC9, VG29
9	15721-883-030	TUBE, BREATHER	1	-	-	1	-----	EMAN, VES6, VPM4, VPM5, VPM8, VPM9, VPMN, VPR4, VPR9, VS17, VS19, VSD1, VWS, VVW2, VVWN
10	90013-883-000	BOLT, FLANGE, 6X12(CT200) ...	4	4	4	4		
11	90043-ZE1-020	BOLT, STUD, 6X112	2	2	2	2	-----	HH26, HHQ4, HX2, HX4, HXE8, HXU, LHN4, LHQ4, LX2, LX26, LX4, LXM2, LXU, PXU, QA2, QA26, QAX2, QAX4, QBC2, QBM2, QBT6, QCB2, QCL, QGR9, QH26, QHG4, QHQ4, QHQU, QKA4, QMC6, QMC8, QMD6, QME4, QMP4, QMX2, QMZ2, QNT, QNT4, QPU, QW24, QWA4, QWW2, QWX2, QX2, QX26, QX4, QX7, QX9, QXC4, QXC9, QXE2, QXE4, QXE5, QXE8, QXF2, QXM2, QXP2, QXS2, QXU, QXW, QXWE, RH2, RHG4, RHQ4, RTB2, RX4, RXE2, RXP2, RXU, S1CY, SD16, SG22, SG24, SHQ4, SHQU, SHRY, SMC7, SMC9, SMW2, SSSX2, SWG4, SWX2, SX2, SX4, SX7, SX9, SXE4, SXE5, SXS, SXS2, SXS4, SXU, TCS2, TW24, TX2, TX26, TX4, TXC9, TXDU, TXU, UXU, VA2, VG24, VGE2, VGE4, VGE5, VHA9, VHH4, VMS4, VSD, VSD2, VSD7, VSD9, VWA2, VX2, VX4, VXE9, VXU1, VXW2, WKS, WKT2, WKT4, WKT6, WMBO
	90043-ZB2-003	BOLT, STUD, 6X94	2	-	-	2	-----	EMAN, VES6, VPM4, VPM5, VPM8, VPM9, VPMN, VPR4, VPR9, VS17, VS19, VSD1, VWS, VVW2, VVWN
12	90047-ZE1-000	BOLT, STUD, 8X32	2	2	2	-	-----	HH26, HHQ4, HX2, HX4, HXE8, HXU, LHN4, LHQ4, LX2, LX26, LX4, LXM2, LXU, PXU, QA2, QA26, QAX2, QAX4, QBC2, QBM2, QBT6, QCB2, QCL, QGR9, QH26, QHG4, QHQ4, QHQU, QKA4, QMC6, QMC8, QMD6, QME4, QMP4, QMX2, QMZ2, QNT, QNT4, QPU, QW24, QWA4, QWW2, QWX2, QX2, QX26, QX4, QX7, QX9, QXC4, QXC9, QXE2, QXE4, QXE5, QXE8, QXF2, QXM2, QXP2, QXS2, QXU, QXW, QXWE, RH2, RHG4, RHQ4, RTB2, RX4, RXE2, RXP2, RXU, S1CY, SD16, SG22, SG24, SHQ4, SHQU, SHRY, SMC7, SMC9, SMW2, SSSX2, SWG4, SWX2, SX2, SX4, SX7, SX9, SXE4, SXE5, SXS, SXS2, SXS4, SXU, TCS2, TW24, TX2, TX26, TX4, TXC9, TXDU, TXU, UXU, VA2, VG24, VGE2, VGE4, VGE5, VHA9, VHH4, VMS4, VPM4, VPM5, VPM8, VPM9, VPMN, VPR4, VPR9, VS17, VS19, VSD, VSD1, VSD2, VSD7, VSD9, VWA2, VX2, VX4, VXE9, VXU1, VXW2, WKS, WKT2, WKT4, WKT6, WMBO
	92900-08025-0E	BOLT, STUD, 8X25	2	-	-	-	-----	1888453 VVW2, VVWN
	90047-ZE1-000	BOLT, STUD, 8X32	2	-	-	-	-----	1888454 VVW2, VVWN
			-	-	-	2		
13	94301-10160	DOWEL PIN, 10X16	2	2	2	2		





Ref. No.	Part No.	Description	Reqd. QTY				Serial No.	Parts catalogue code
			GX 160 UT1	GX 160 RT1	GX 160 UT2	GX 160 RT2		
14	95701-08060-00	BOLT, FLANGE, 8X60	4	4	-	-	HH26, HHQ4, HX2, HX4, HXE8, HXU, QAX2, QAX4, QBM2, QHG4, QHQU, QKA4, QNT4, QXC4, QXC9, QXE4, QXE5, QXE8, QXP2, QXW, QXWE, RH2, RHG4, RHQ4, RTB2, RX4, RXE2, RXP2, RXU, SG22, SHQU, SSSX2, SWG4, SX2, SXE4, SXE5, SXS, SXS2, TXC9, TXDU, UXU, VG29, VGE2, VPMN, VSD2, VWWN, WMBO	
	95723-08060-00		4	-	-	-	1891379 LHQ4, LX2, LX26, LX4, LXU, PXU, QA2, QA26, QBC2, QBT6, QCB2, QCL, QGR9, QH26, QHQ4, QMC6, QMC8, QMD6, QME4, QMP4, QM22, QNT, QPU, QW24, QWA4, QWW2, QWX2, QX2, QX26, QX4, QX7, QX9, QXE2, QXF2, QXS2, QXU, SD16, SG24, SHQ4, SMC7, SMC9, SWX2, SX4, SX7, SX9, SXS4, SXU, TCS2, TW24, TX2, TX26, TX4, TXU, VA2, VG24, VGE4, VGE5, VHA9, VHH4, VMS4, VPM4, VPM5, VPM8, VPM9, VPR4, VPR9, VS17, VS19, VSD, VSD1, VSD7, VSD9, VWA2, VWW2, VX2, VX4, VXE9, VXU1, VXW2, WKS, WKT2, WKT4, WKT6	
	95701-08060-00		4	-	-	-	1891380 LHQ4, LX2, LX26, LX4, LXU, PXU, QA2, QA26, QBC2, QBT6, QCB2, QCL, QGR9, QH26, QHQ4, QMC6, QMC8, QMD6, QME4, QMP4, QM22, QNT, QPU, QW24, QWA4, QWW2, QWX2, QX2, QX26, QX4, QX7, QX9, QXE2, QXF2, QXS2, QXU, SD16, SG24, SHQ4, SMC7, SMC9, SWX2, SX4, SX7, SX9, SXS4, SXU, TCS2, TW24, TX2, TX26, TX4, TXU, VA2, VG24, VGE4, VGE5, VHA9, VHH4, VMS4, VPM4, VPM5, VPM8, VPM9, VPR4, VPR9, VS17, VS19, VSD, VSD1, VSD7, VSD9, VWA2, VWW2, VX2, VX4, VXE9, VXU1, VXW2, WKS, WKT2, WKT4, WKT6	
15	98079-56855	PLUG, SPARK (W20EPR-U) (DENSO)	-	-	4	4	EMAN, HH26, HHQ4, HX2, HX4, HXE8, HXU, LHN4, LXM2, QAX2, QAX4, QKA4, QMX2, QNT4, QXC4, QXC9, QXE4, QXE5, QXE8, QXM2, QXW, QXWE, RH2, RHG4, RHQ4, RTB2, RX4, RXE2, RXP2, RXU, S1CY, SHRY, SMW2, SSSX2, SWG4, SXE4, SXE5, TXC9, UXU, VES6, VG29, VWS	
	98079-55855	PLUG, SPARK (W16EPR-U) (DENSO)	(1)	(1)	(1)	(1)	HX2, HX4, HXE8, HXU, LHN4, LXM2, QAX2, QAX4, QMX2, QNT4, QXM2, RH2, RHG4, RHQ4, RTB2, RX4, RXU, UXU, WMBO	



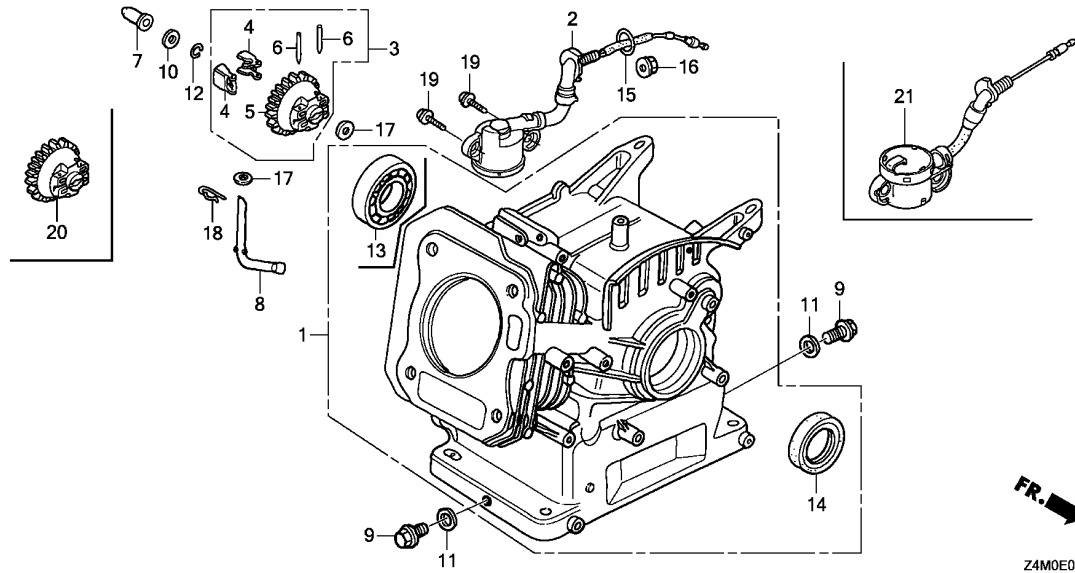
Ref. No.	Part No.	Description	Reqd. QTY				Serial No.	Parts catalogue code
			GX 160 UT1	GX 160 RT1	GX 160 UT2	GX 160 RT2		
15)	98079-56876	PLUG, SPARK(BPR6ES) (NGK)	----	1	1	-	1	EMAN, HHQ4, HX4, HXE8, HXU, LHQ4, LX2, LX26, LX4, LXU, PXU, QA2, QA26, QAX2, QAX4, QBC2, QBM2, QBT6, QCB2, QCL, QGR9, QH26, QHG4, QHQ4, QHQ4, QKA4, QMC6, QMC8, QMD6, QME4, QMP4, QMZ2, QNT, QNT4, QPU, QW24, QWA4, QWW2, QWX2, QX2, QX26, QX4, QX7, QX9, QXE2, QXE4, QXE5, QXE8, QXF2, QXP2, QXS2, QXU, QXW, QXWE, RHG4, RHQ4, RX4, RXU, SD16, SG22, SG24, SHQ4, SHQU, SMC7, SMC9, SWG4, SWX2, SX2, SX4, SX7, SX9, SXE4, SXE5, SXS, SXS2, SXS4, SXU, TCS2, TW24, TX2, TX26, TX4, TXDU, TXU, UXU, VA2, VES6, VG24, VG29, VGE2, VGE4, VGE5, VHA9, VHH4, VMS4, VPM4, VPM5, VPM8, VPM9, VPMN, VPR4, VPR9, VS17, VS19, VSD, VSD1, VSD2, VSD7, VSD9, VWA2, VWS, VWW2, VWWN, VX2, VX4, VXE9, VXU1, VXW2, WKS, WKT2, WKT4, WKT6, WMBO
	98079-55846	PLUG, SPARK(BPR5ES) (NGK)	----	(1)	(1)	-	-	HX2, HX4, HXE8, HXU, QAX2, QAX4, QNT4, RH2, RHG4, RHQ4, RTB2, RX4, RXU, UXU, WMBO
	98079-56846	PLUG, SPARK(BPR6ES) (NGK)	----	1	-	-	-	HH26, HX2, QXC4, QXC9, RH2, RTB2, RXE2, RXP2, SSX2, TXC9
	98079-55876	PLUG, SPARK(BPR5ES) (NGK)	----	(1)	-	-	-	LHQ4, LX2, LX26, LX4, LXU, QA2, QA26, QBC2, QBM2, QBT6, QCB2, QCL, QGR9, QH26, QHG4, QHQ4, QHQ4, QMC6, QME4, QMP4, QMZ2, QNT, QPU, QW24, QWA4, QWW2, QWX2, QX2, QX26, QX4, QX7, QX9, QXF2, QXU, SG22, SG24, SHQ4, SHQU, SWX2, TCS2, TW24, TX2, TX26, TX4, TXDU, TXU, VGE2, VGE4, VGE5, VHA9, VHH4, VMS4, VPM4, VPM5, VPM8, VPM9, VPMN, VPR4, VPR9, VS17, VS19, VSD, VSD1, VSD2, VSD7, VSD9, VWA2, VWW2, VWWN, VX2, VX4, VXU1, VXW2, WKT2, WKT4, WKT6
	98079-56876	PLUG, SPARK(BPR6ES) (NGK)	----	-	-	1	1	HX2, HX4, HXE8, LHN4, LHQ4, LX2, LX4, LXM2, QA2, QAX2, QAX4, QBC2, QBM2, QGR9, QH26, QHG4, QHQ4, QMC6, QME4, QMP4, QMX2, QPU, QWA4, QWX2, QX2, QX4, QX9, QXM2, QXU, RH2, RHG4, RHQ4, RX4, RXU, SHQ4, SWX2, TX2, TX4, TXDU, UXU, VGE4, VGE5, VHH4, VPM5, VS19, VSD9, VWWN, VX2, VXU1, WKT2, WMBO
16	95002-80000	CLIP, TUBE(C12)	-----	2	-	-	-	QNT4, QXC4, QXC9, TXC9, VG29



E-3

CYLINDER BARREL

E 5



Ref. No.	L.O.N.	(Relative ref. Number) Description	F.R.T.
1	1101A0	BARREL, CYLINDER	2.0
2		(15,21)	
	6151E8	SWITCH, OIL LEVEL	0.5
3		(20)	
	1161C4	GOVERNOR ASSEMBLY	1.0
5		(4)	
	1161A7	HOLDER, GOVERNOR WEIGHT	1.0
7	1161B6	SLIDER, GOVERNOR	0.4
8	1161B4	SHAFT, GOVERNOR ARM	0.9
13	1101A4	BEARING, CRANKSHAFT :FRONT ...	1.9
14	1101E4	OIL SEAL, CRANKSHAFT :FRONT ..	1.8

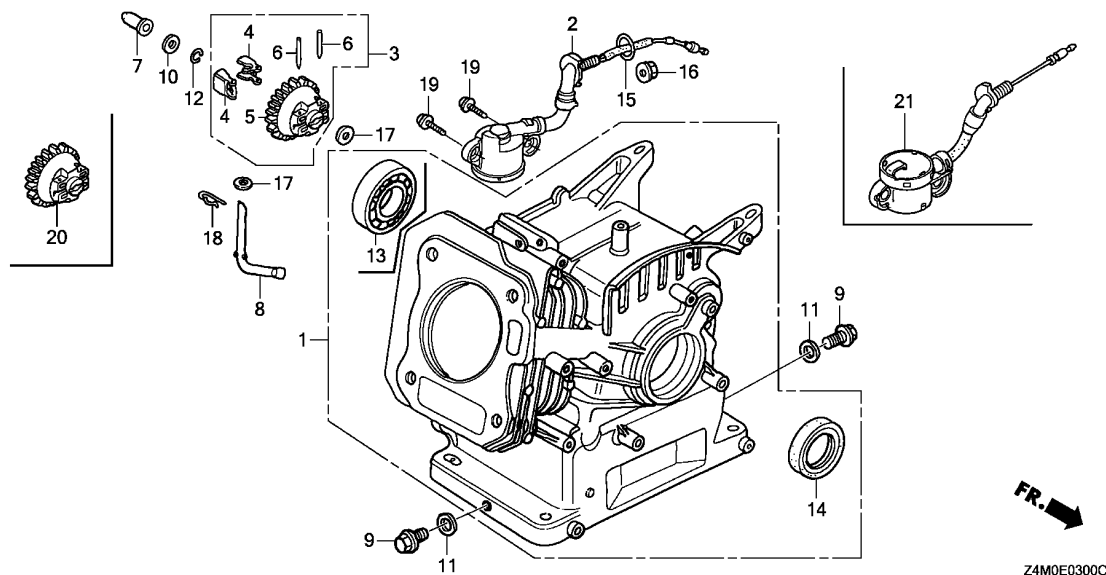


Z4MOE0300C

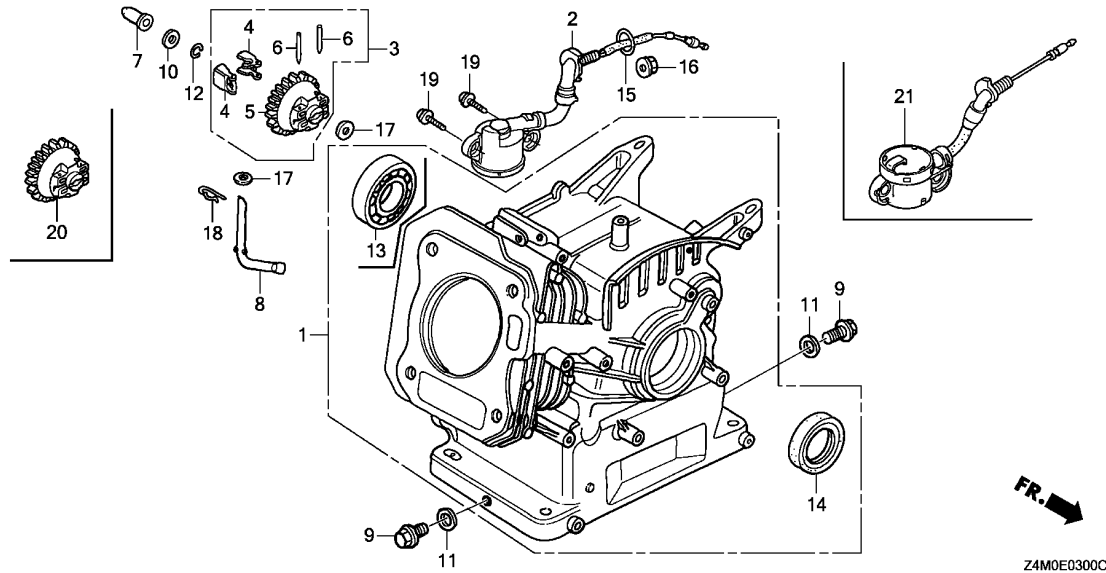
Ref. No.	Part No.	Description	Reqd. QTY				Serial No.	Parts catalogue code
			GX 160 UT1	GX 160 RT1	GX 160 UT2	GX 160 RT2		
1	12000-Z0T-405	BARREL ASSY., CYLINDER	1	1	-	-	HH26, HHQ4, LHQ4, QA2, QA26, QBC2, QBM2, QCB2, QH26, QHG4, QHQ4, QHQU, QMC6, QME4, QMP4, QMZ2, QPU, RH2, RHG4, RHQ4, RTB2, SD16, SHQ4, SHQU, WMBO	
	12000-Z0T-406	BARREL ASSY., CYLINDER (OIL ALERT)	1	1	-	-	HX2, HX4, HXE8, HXU, LX2, LX26, LX4, LXU, PXU, QAX2, QAX4, QBT6, QCL, QGR9, QKA4, QMC8, QMD6, QNT, QNT4, QW24, QWA4, QWW2, QWX2, QX2, QX26, QX4, QX7, QX9, QXC4, QXC9, QXE2, QXE4, QXE5, QXE8, QXF2, QXP2, QXS2, QXU, QXW, QXWE, RX4, RXE2, RXP2, RXU, SG22, SG24, SMC7, SMC9, SSS2, SWG4, SWX2, SX2, SX4, SX7, SX9, SXE4, SXE5, SXS, SXS2, SXS4, SXU, TCS2, TW24, TX2, TX26, TX4, TXC9, TXDU, TXU, UXU, VA2, VG24, VG29, VGE2, VGE4, VGE5, VHA9, VHH4, VMS4, VPM4, VPM5, VPM8, VPM9, VPMN, VPR4, VPR9, VS17, VS19, VSD, VSD1, VSD2, VSD7, VSD9, VWA2, VWW2, VWN, VX2, VX4, VXE9, VXU1, VXW2, WKS, WKT2, WKT4, WKT6	
	12000-Z4M-406	-	-	1	1	EMAN, HX2, HX4, HXE8, LX2, LX4, LXM2, PXU, QAX2, QAX4, QGR9, QMC8, QMD6, QMX2, QWA4, QWX2, QX2, QX4, QX9, QXE2, QXE5, QXE8, QXM2, QXS2, QXU, QXWE, RX4, RXE2, RXU, SMC7, SMC9, SMW2, SSS2, SWG4, SWX2, SX4, SX9, SXE5, SXS4, SXU, TX2, TX4, TXDU, UXU, VA2, VES6, VGE4, VGE5, VHH4, VPM5, VS19, VSD9, VWS, VWN, VX2, VXE9, VXU1, WKS, WKT2	
	12000-Z4M-405	BARREL ASSY., CYLINDER	-	-	1	1	HH26, HHQ4, LHN4, LHQ4, QA2, QBC2, QBM2, QH26, QHG4, QHQ4, QMC6, QME4, QMP4, QPU, RH2, RHG4, RHQ4, S1CY, SD16, SHQ4, SHRY, WMBO	
2	15510-ZE1-043	SWITCH ASSY., OIL LEVEL	1	-	-	-	HXE8, QXE4, QXE8, QXW, RXE2, RXP2, SXE4, VG29	
	15510-ZE1-033	1	-	-	-	LX2, LX26, LX4, LXU, PXU, QBT6, QCL, QGR9, QMC8, QMD6, QNT, QW24, QWA4, QWW2, QWX2, QX2, QX26, QX4, QX7, QX9, QXE2, QXF2, QXS2, QXU, SG24, SMC7, SMC9, SWX2, SX4, SX7, SX9, SXS4, SXU, TCS2, TW24, TX2, TX26, TX4, TXU, VA2, VG24, VGE4, VGE5, VHA9, VHH4, VMS4, VPM4, VPM5, VPM8, VPM9, VPR4, VPR9, VS17, VS19, VSD, VSD1, VSD7, VSD9, VWA2, VWW2, VX2, VX4, VXE9, VXU1, VXW2, WKS, WKT2, WKT4, WKT6	

Ref. No.	Part No.	Description	Reqd. QTY				Serial No.	Parts catalogue code
			GX 160 UT1	GX 160 RT1	GX 160 UT2	GX 160 RT2		
3	16510-ZE1-000	GOVERNOR ASSY.	1	1	-	-	HH26, HHQ4, HX2, HX4, HXE8, HXU, LHQ4, LX2, LX26, LX4, LXU, PXU, QA2, QA26, QAX2, QAX4, QBC2, QBM2, QBT6, QCB2, QCL, QGR9, QH26, QHG4, QHQ4, QHQU, QKA4, QMC6, QMC8, QMD6, QME4, QMP4, QMZ2, QNT, QNT4, QPU, QW24, QWA4, QWW2, QWX2, QX2, QX26, QX4, QX7, QX9, QXC4, QXC9, QXE2, QXE4, QXE5, QXE8, QXF2, QXP2, QXS2, QXU, QXW, QXWE, RH2, RHG4, RHQ4, RTB2, RX4, RXE2, RXP2, RXU, SD16, SG22, SG24, SHQ4, SHQU, SMC7, SMC9, SSX2, SWG4, SWX2, SX2, SX4, SX7, SX9, SXE4, SXE5, SXS, SXS2, SXS4, SXU, TCS2, TW24, TX2, TX26, TX4, TXC9, TXDU, TXU, UXU, VG24, VG29, WKS, WKT2, WKT4, WKT6, WMBO, VXE9	
	16510-Z4M-000	(1)	-	-	-		
4	16511-ZE1-000	WEIGHT, GOVERNOR	2	2	-	-	HH26, HHQ4, HX2, HX4, HXE8, HXU, LHQ4, LX2, LX26, LX4, LXU, PXU, QA2, QA26, QAX2, QAX4, QBC2, QBM2, QBT6, QCB2, QCL, QGR9, QH26, QHG4, QHQ4, QHQU, QKA4, QMC6, QMC8, QMD6, QME4, QMP4, QMZ2, QNT, QNT4, QPU, QW24, QWA4, QWW2, QWX2, QX2, QX26, QX4, QX7, QX9, QXC4, QXC9, QXE2, QXE4, QXE5, QXE8, QXF2, QXP2, QXS2, QXU, QXW, QXWE, RH2, RHG4, RHQ4, RTB2, RX4, RXE2, RXP2, RXU, SD16, SG22, SG24, SHQ4, SHQU, SMC7, SMC9, SSX2, SWG4, SWX2, SX2, SX4, SX7, SX9, SXE4, SXE5, SXS, SXS2, SXS4, SXU, TCS2, TW24, TX2, TX26, TX4, TXC9, TXDU, TXU, UXU, VG24, VG29, WKS, WKT2, WKT4, WKT6, WMBO, VXE9	
	16511-Z4M-000	(2)	-	-	-		
5	16512-ZE1-000	HOLDER, GOVERNOR WEIGHT	1	1	-	-	HH26, HHQ4, HX2, HX4, HXE8, HXU, LHQ4, LX2, LX26, LX4, LXU, PXU, QA2, QA26, QAX2, QAX4, QBC2, QBM2, QBT6, QCB2, QCL, QGR9, QH26, QHG4, QHQ4, QHQU, QKA4, QMC6, QMC8, QMD6, QME4, QMP4, QMZ2, QNT, QNT4, QPU, QW24, QWA4, QWW2, QWX2, QX2, QX26, QX4, QX7, QX9, QXC4, QXC9, QXE2, QXE4, QXE5, QXE8, QXF2, QXP2, QXS2, QXU, QXW, QXWE, RH2, RHG4, RHQ4, RTB2, RX4, RXE2, RXP2, RXU, SD16, SG22, SG24, SHQ4, SHQU, SMC7, SMC9, SSX2, SWG4, SWX2, SX2, SX4, SX7, SX9, SXE4, SXE5, SXS, SXS2, SXS4, SXU, TCS2, TW24, TX2, TX26, TX4, TXC9, TXDU, TXU, UXU, VG24, VG29, WKS, WKT2, WKT4, WKT6, WMBO, VXE9	
	16512-Z4M-000	(1)	-	-	-		
6	16513-ZE1-000	PIN, GOVERNOR WEIGHT	2	2	-	-	HH26, HHQ4, HX2, HX4, HXE8, HXU, LHQ4, LX2, LX26, LX4, LXU, PXU, QA2, QA26, QAX2, QAX4, QBC2, QBM2, QBT6, QCB2, QCL, QGR9, QH26, QHG4, QHQ4, QHQU, QKA4, QMC6, QMC8, QMD6, QME4, QMP4, QMZ2, QNT, QNT4, QPU, QW24, QWA4, QWW2, QWX2, QX2, QX26, QX4, QX7, QX9, QXC4, QXC9, QXE2, QXE4, QXE5, QXE8, QXF2, QXP2, QXS2, QXU, QXW, QXWE, RH2, RHG4, RHQ4, RTB2, RX4, RXE2, RXP2, RXU, SD16, SG22, SG24, SHQ4, SHQU, SMC7, SMC9, SSX2, SWG4, SWX2, SX2, SX4, SX7, SX9, SXE4, SXE5, SXS, SXS2, SXS4, SXU, TCS2, TW24, TX2, TX26, TX4, TXC9, TXDU, TXU, UXU, VG24, VG29, WKS, WKT2, WKT4, WKT6, WMBO, VXE9	
	16513-Z4M-000	(2)	-	-	-		
7	16531-ZE1-000	SLIDER, GOVERNOR	1	1	-	-		
	16531-Z4M-000	-	-	1	1		
8	16541-ZE1-000	SHAFT, GOVERNOR ARM	1	1	-	-		
	16541-Z4M-000	-	-	1	1		
9	90131-ZE1-000	BOLT, DRAIN PLUG	2	2	2	2		
10	90451-ZE1-000	WASHER, THRUST, 6MM	1	1	-	-		
11	90601-ZE1-000	WASHER, DRAIN PLUG, 10.2MM ..	2	2	2	2		
12	90602-ZE1-000	CLIP, GOVERNOR HOLDER	1	1	1	1		
13	91001-Z4X-003	BEARING, RADIAL BALL, 6205 (NSK)	1	1	-	-		
	91001-ZF1-003	BEARING, RADIAL BALL(6205TMB) (NTN)	1	1	-	-		
	91001-ZF1-004	BEARING, RADIAL BALL(6205SH) (KOYO)	1	1	-	-		
14	91201-Z0T-801	OIL SEAL, 25X41X6	1	1	1	1		





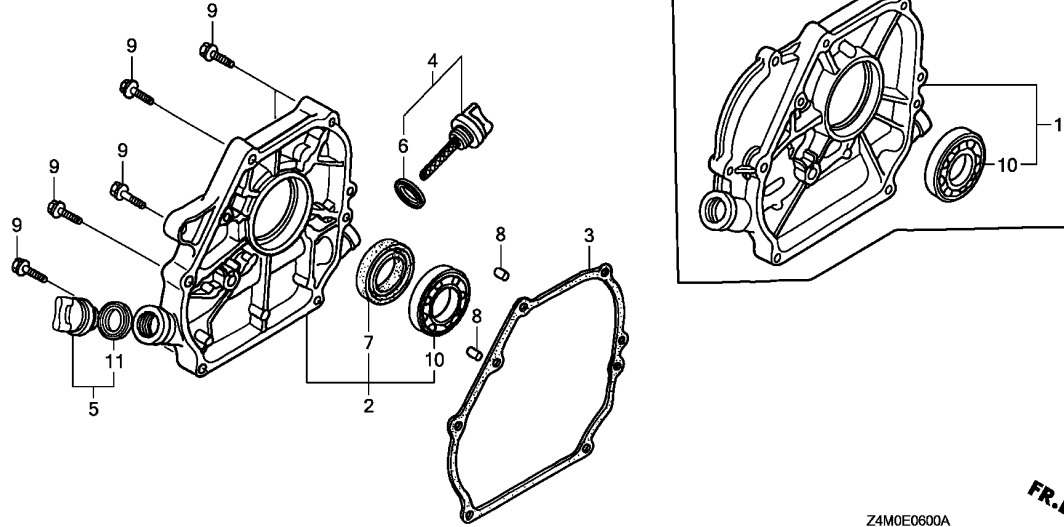
Ref. No.	Part No.	Description	Reqd. QTY				Serial No.	Parts catalogue code
			GX 160 UT1	GX 160 RT1	GX 160 UT2	GX 160 RT2		
15	91353-671-004	O-RING, 14MM(NOK)	1	1	1	1	EMAN, HX2, HX4, HXE8, HXU, LX2, LX26, LX4, LXM2, LXU, PXU, QAX2, QAX4, QBT6, QCL, QGR9, QKA4, QMC8, QMD6, QMX2, QNT, QNT4, QW24, QWA4, QWW2, QWX2, QX2, QX26, QX4, QX7, QX9, QXC4, QXC9, QXE2, QXE4, QXE5, QXE8, QXF2, QXM2, QXP2, QXS2, QXU, QXW, QXWE, RX4, RXE2, RXP2, RXU, SG22, SG24, SMC7, SMC9, SMW2, SSS2, SWG4, SWX2, SX2, SX4, SX7, SX9, SXE4, SXE5, SXS, SXS2, SXS4, SXU, TCS2, TW24, TX2, TX26, TX4, TXC9, TXDU, TXU, UXU, VA2, VES6, VG24, VG29, VGE2, VGE4, VGE5, VHA9, VHH4, VMS4, VPM4, VPM5, VPM8, VPM9, VPMN, VPR4, VPR9, VS17, VS19, VSD, VSD1, VSD2, VSD7, VSD9, VWA2, VWS, VWW2, VWWN, VX2, VX4, VXE9, VXU1, VXW2, WKS, WKT2, WKT4, WKT6	
16	94050-10000	NUT, FLANGE, 10MM	1	1	1	1	EMAN, HX2, HX4, HXE8, HXU, LX2, LX26, LX4, LXM2, LXU, PXU, QAX2, QAX4, QBT6, QCL, QGR9, QKA4, QMC8, QMD6, QMX2, QNT, QNT4, QW24, QWA4, QWW2, QWX2, QX2, QX26, QX4, QX7, QX9, QXC4, QXC9, QXE2, QXE4, QXE5, QXE8, QXF2, QXM2, QXP2, QXS2, QXU, QXW, QXWE, RX4, RXE2, RXP2, RXU, SG22, SG24, SMC7, SMC9, SMW2, SSS2, SWG4, SWX2, SX2, SX4, SX7, SX9, SXE4, SXE5, SXS, SXS2, SXS4, SXU, TCS2, TW24, TX2, TX26, TX4, TXC9, TXDU, TXU, UXU, VA2, VES6, VG24, VG29, VGE2, VGE4, VGE5, VHA9, VHH4, VMS4, VPM4, VPM5, VPM8, VPM9, VPMN, VPR4, VPR9, VS17, VS19, VSD, VSD1, VSD2, VSD7, VSD9, VWA2, VWS, VWW2, VWWN, VX2, VX4, VXE9, VXU1, VXW2, WKS, WKT2, WKT4, WKT6	
17	94101-06800	WASHER, PLAIN, 6MM	2	2	2	2		
18	94251-08000	PIN, LOCK, 8MM	1	1	1	1		



Z4M0E0300C

Ref. No.	Part No.	Description	Reqd. QTY				Serial No.	Parts catalogue code
			GX 160 UT1	GX 160 RT1	GX 160 UT2	GX 160 RT2		
19	95701-06012-00	BOLT, FLANGE, 6X12	2	2	2	2	-----	EMAN, HX2, HX4, HXE8, HXU, LX2, LX26, LX4, LXM2, LXU, PXU, QAX2, QAX4, QBT6, QCL, QGR9, QKA4, QMC8, QMD6, QMX2, QNT, QNT4, QW24, QWA4, QWW2, QWX2, QX2, QX26, QX4, QX7, QX9, QXC4, QXC9, QXE2, QXE4, QXE5, QXE8, QXF2, QXM2, QXP2, QXS2, QXU, QXW, QXWE, RX4, RXE2, RXP2, RXU, SG22, SG24, SMC7, SMC9, SMW2, SSX2, SWG4, SWX2, SX2, SX4, SX7, SX9, SXE4, SXE5, SXS, SXS2, SXS4, SXU, TCS2, TW24, TX2, TX26, TX4, TXC9, TXDU, TXU, UXU, VA2, VES6, VG24, VG29, VGE2, VGE4, VGE5, VHA9, VHH4, VMS4, VPM4, VPM5, VPM8, VPM9, VPMN, VPR4, VPR9, VS17, VS19, VSD, VSD1, VSD2, VSD7, VSD9, VWA2, VWS, VWW2, VWWN, VX2, VX4, VXE9, VXU1, VXW2, WKS, WKT2, WKT4, WKT6
20	16506-ZL0-000	GOVERNOR ASSY.	1	-	-	-	-----	VA2, VGE2, VGE4, VGE5, VHA9, VHH4, VMS4, VPM4, VPM5, VPM8, VPM9, VPMN, VPR4, VPR9, VS17, VS19, VSD, VSD1, VSD2, VSD7, VSD9, VWA2, VWW2, VWWN, VX2, VX4, VXE9, VXU1, VXW2
21	35480-Z0T-003	SWITCH ASSY., OIL LEVEL	1	1	-	-	-----	HX2, HX4, HXU, QAX2, QAX4, QKA4, QNT4, QXC4, QXC9, QXE5, QXP2, QXWE, RX4, RXU, SG22, SSSX2, SWG4, SX2, SXE5, SXS, SXS2, TXC9, TXDU, UXU, VGE2, VPMN, VSD2, VWWN
			1	-	-	-	1706984	LX2, LX26, LX4, LXU, PXU, QBT6, QCL, QGR9, QMC8, QMD6, QNT, QW24, QWA4, QWW2, QWX2, QX2, QX26, QX4, QX7, QX9, QXE2, QXF2, QXS2, QXU, SG24, SMC7, SMC9, SWX2, SX4, SX7, SX9, SXS4, SXU, TCS2, TW24, TX2, TX26, TX4, TXU, VA2, VG24, VGE4, VGE5, VHA9, VHH4, VMS4, VPM4, VPM5, VPM8, VPM9, VPR4, VPR9, VS17, VS19, VSD, VSD1, VSD7, VSD9, VWA2, VWW2, VX2, VX4, VXE9, VXU1, VXW2, WKS, WKT2, WKT4, WKT6
			-	-	1	1	-----	EMAN, HX2, HX4, HXE8, LX2, LX4, LXM2, PXU, QAX2, QAX4, QGR9, QMC8, QMD6, QMX2, QWA4, QWX2, QX2, QX4, QX9, QXE2, QXE5, QXE8, QXM2, QXS2, QXU, QXWE, RX4, RXE2, RXU, SMC7, SMC9, SMW2, SSX2, SWG4, SWX2, SX4, SX9, SXE5, SXS4, SXU, TX2, TX4, TXDU, UXU, VA2, VES6, VGE4, VGE5, VHH4, VPM5, VS19, VSD9, VWS, VWWN, VX2, VXE9, VXU1, WKS, WKT2



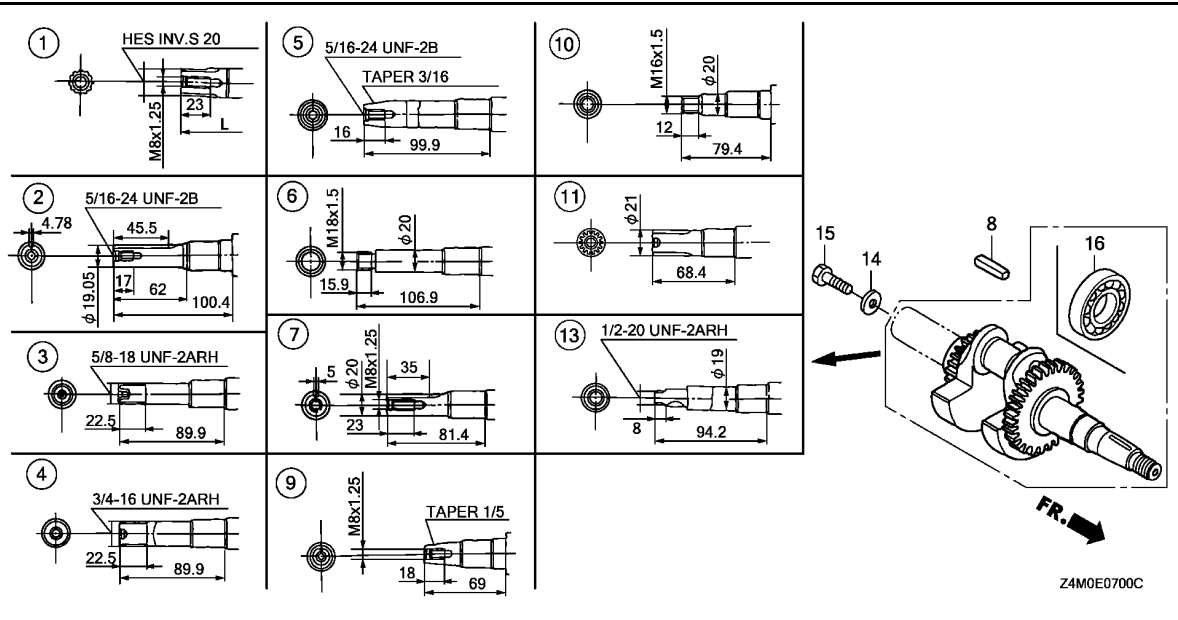


Ref. No.	L.O.N.	(Relative ref. Number) Description	F.R.T.
2		(1)	
2	1101F1	COVER, CRANKCASE	0.2
3	1101E9	PACKING, CRANKCASE COVER	0.2
7	1101E5	OIL SEAL, CRANKSHAFT :REAR ...	0.3
10	1101A6	BEARING, CRANKSHAFT :REAR	0.4

Ref. No.	Part No.	Description	Reqd. QTY				Serial No.	Parts catalogue code
			GX 160 UT1	GX 160 RT1	GX 160 UT2	GX 160 RT2		
1	11300-ZE1-613	COVER ASSY., CRANKCASE	1	-	1	-	LHN4, LHQ4, LX2, LX26, LX4, LXM2, LXU	
2	11300-ZE1-634	COVER ASSY., CRANKCASE	1	1	-	-	HH26, HHQ4, HX2, HX4, HXE8, HXU, SD16, SG22, SG24, SHQ4, SHQU, SMC7, SMC9, SSSX2, SWG4, SX2, SX4, SX7, SX9, SXE4, SXE5, SXS, SXS2, SXS4, SXU, WKS, WKT2, WKT4, WKT6, WMBO	
	11300-ZE1-020	1	1	-	-	RH2, RHG4, RHQ4, RTB2, RX4, RXE2, RXP2, RXU, SWX2	
	11300-ZE1-642	1	-	-	-	PXU, QA2, QA26, QAX2, QAX4, QBC2, QBM2, QBT6, QCB2, QCL, QGR9, QH26, QHG4, QHQ4, QHQU, QKA4, QMC6, QMC8, QMD6, QME4, QMP4, QM22, QNT, QNT4, QPU, QW24, QWA4, QWW2, QWX2, QX2, QX26, QX4, QX7, QX9, QXC4, QXC9, QXE2, QXE4, QXE5, QXE8, QXF2, QXP2, QXS2, QXU, QXW, QXWE, TCS2, TW24, TX2, TX26, TX4, TXC9, TXDU, TXU, UXU, VA2, VG24, VG29, VGE2, VGE4, VGE5, VHA9, VHH4, VMS4, VPM4, VPM5, VPM8, VPM9, VPMN, VPR4, VPR9, VS17, VS19, VSD, VSD1, VSD2, VSD7, VSD9, VVA2, VWW2, VWWN, VX2, VX4, VXE9, VXU1, VXW2	
	11300-Z4M-630	-	-	1	1	EMAN, HH26, HHQ4, HX2, HX4, HXE8, S1CY, SD16, SHQ4, SHRY, SMC7, SMC9, SMM2, SSSX2, SWG4, SX4, SX9, SXE5, SXS4, SXU, VES6, VWS, WKS, WKT2, WMBO	
	11300-Z4M-640	-	-	1	1	PXU, QA2, QAX2, QAX4, QBC2, QBM2, QGR9, QH26, QHG4, QHQ4, QMC6, QMC8, QMD6, QME4, QMP4, QMX2, QPU, QWA4, QWX2, QX2, QX4, QX9, QXE2, QXE5, QXE8, QXM2, QXS2, QXU, QXWE, TX2, TX4, TXDU, UXU, VA2, VGE4, VGE5, VHH4, VPM5, VS19, VSD9, VWWN, VX2, VXE9, VXU1	
	11300-Z4M-000	-	-	1	1	RH2, RHG4, RHQ4, RX4, RXE2, RXU, SWX2	

Ref. No.	Part No.	Description	Reqd. QTY				Serial No.	Parts catalogue code
			GX 160 UT1	GX 160 RT1	GX 160 UT2	GX 160 RT2		
3	11381-ZH8-801	PACKING, CASE COVER (NON ASBESTOS)	1	1	-	-	HH26, HHQ4, HX2, HX4, HXE8, HXU, LHQ4, LX2, LX26, LX4, LXU, PXU, QA2, QA26, QAX2, QAX4, QBC2, QBM2, QBT6, QCB2, QCL, QGR9, QH26, QHG4, QHQ4, QHQ4, QHQ4, QKA4, QMC6, QMC8, QMD6, QME4, QMP4, QMZ2, QNT, QNT4, QPU, QW24, QWA4, QWW2, QWX2, QX2, QX26, QX4, QX7, QX9, QXC4, QXC9, QXE2, QXE4, QXE5, QXE8, QXF2, QXP2, QXS2, QXU, QXW, QXWE, RXP2, SD16, SG22, SG24, SHQ4, SHQU, SMC7, SMC9, SSX2, SWG4, SWX2, SX2, SX4, SX7, SX9, SXE4, SXE5, SXS, SXS2, SXS4, SXU, TCS2, TW24, TX2, TX26, TX4, TXC9, TXDU, TXU, UXU, VA2, VG24, VG29, VGE2, VGE4, VGE5, VHA9, VHH4, VMS4, VPM4, VPM5, VPM8, VPM9, VPMN, VPR4, VPR9, VS17, VS19, VSD, VSD1, VSD2, VSD7, VSD9, VWA2, VWA2, VWW2, VWWN, VX2, VX4, VXE9, VXU1, VXW2, WKS, WKT2, WKT4, WKT6, WMBO	
	11381-ZLO-000	PACKING, CASE COVER	1	1	-	-	RH2, RHG4, RHQ4, RTB2, RX4, RXE2, RXU	
	11381-ZH8-801	PACKING, CASE COVER (NON ASBESTOS)	-	-	1	1		
4	15600-ZOT-810	CAP ASSY., OIL FILLER	1	1	1	1		
5	15600-ZG4-003	CAP ASSY., OIL FILLER	1	1	-	-	HH26, QKA4, QXE5, QXWE, RHG4, SWG4, SXE5, TXC9	
	15600-ZOT-820	1	-	-	1	EMAN, HHQ4, HX2, HX4, HXE8, HXU, LHQ4, LX2, LX26, LX4, LXU, PXU, QA2, QA26, QAX2, QAX4, QBC2, QBM2, QBT6, QCB2, QCL, QGR9, QH26, QHG4, QHQ4, QHQ4, QHQ4, QKA4, QMC6, QMC8, QMD6, QME4, QMP4, QMZ2, QNT, QNT4, QPU, QW24, QWA4, QWW2, QWX2, QX2, QX26, QX4, QX7, QX9, QXC4, QXC9, QXE2, QXE4, QXE5, QXE8, QXF2, QXP2, QXS2, QXU, QXW, RH2, RHG4, RHQ4, RTB2, RX4, RXE2, RXP2, RXU, SD16, SG22, SG24, SHQ4, SHQU, SMC7, SMC9, SSX2, SWG4, SWX2, SX2, SX4, SX7, SX9, SXE4, SXS, SXS2, SXS4, SXU, TCS2, TW24, TX2, TX26, TX4, TXDU, TXU, UXU, VA2, VES6, VG24, VG29, VGE2, VGE4, VGE5, VHA9, VHH4, VMS4, VPM4, VPM5, VPM8, VPM9, VPMN, VPR4, VPR9, VS17, VS19, VSD, VSD1, VSD2, VSD7, VSD9, VWA2, VWS, VWW2, VWWN, VX2, VX4, VXE9, VXU1, VXW2, WKS, WKT2, WKT4, WKT6, WMBO	
			-	-	1	-		
6	15625-ZOT-800	PACKING, OIL FILLER CAP	1	1	1	1		
7	91201-ZOT-801	OIL SEAL, 25X41X6	1	1	1	1	EMAN, HH26, HHQ4, HX2, HX4, HXE8, HXU, PXU, QA2, QA26, QAX2, QAX4, QBC2, QBM2, QBT6, QCB2, QCL, QGR9, QH26, QHG4, QHQ4, QHQ4, QHQ4, QKA4, QMC6, QMC8, QMD6, QME4, QMP4, QMX2, QMZ2, QNT, QNT4, QPU, QW24, QWA4, QWW2, QWX2, QX2, QX26, QX4, QX7, QX9, QXC4, QXC9, QXE2, QXE4, QXE5, QXE8, QXF2, QXM2, QXP2, QXS2, QXU, QXW, QXWE, RH2, RHG4, RHQ4, RTB2, RX4, RXE2, RXP2, RXU, S1CY, SD16, SG22, SG24, SHQ4, SHQU, SHRY, SMC7, SMC9, SMMW2, SSX2, SWG4, SWX2, SX2, SX4, SX7, SX9, SXE4, SXE5, SXS, SXS2, SXS4, SXU, TCS2, TW24, TX2, TX26, TX4, TXC9, TXDU, TXU, UXU, VA2, VES6, VG24, VG29, VGE2, VGE4, VGE5, VHA9, VHH4, VMS4, VPM4, VPM5, VPM8, VPM9, VPMN, VPR4, VPR9, VS17, VS19, VSD, VSD1, VSD2, VSD7, VSD9, VWA2, VWS, VWW2, VWWN, VX2, VX4, VXE9, VXU1, VXW2, WKS, WKT2, WKT4, WKT6, WMBO	
8	94301-08140	DOWEL PIN, 8X14	2	2	2	2		
9	95701-08032-00	BOLT, FLANGE, 8X32	6	6	6	6		
10	96100-62050-00	BEARING, RADIAL BALL, 6205	1	1	1	1		
11	15625-ZE1-003	PACKING, OIL FILLER CAP	1	1	-	-	HH26, QKA4, QXE5, QXWE, RHG4, SWG4, SXE5, TXC9	
	15625-ZOT-800	1	-	-	1	EMAN, HHQ4, HX2, HX4, HXE8, HXU, LHQ4, LX2, LX26, LX4, LXU, PXU, QA2, QA26, QAX2, QAX4, QBC2, QBM2, QBT6, QCB2, QCL, QGR9, QH26, QHG4, QHQ4, QHQ4, QHQ4, QKA4, QMC6, QMC8, QMD6, QME4, QMP4, QMZ2, QNT, QNT4, QPU, QW24, QWA4, QWW2, QWX2, QX2, QX26, QX4, QX7, QX9, QXC4, QXC9, QXE2, QXE4, QXE5, QXE8, QXF2, QXP2, QXS2, QXU, QXW, RH2, RHG4, RHQ4, RTB2, RX4, RXE2, RXP2, RXU, SD16, SG22, SG24, SHQ4, SHQU, SMC7, SMC9, SSX2, SWG4, SWX2, SX2, SX4, SX7, SX9, SXE4, SXS, SXS2, SXS4, SXU, TCS2, TW24, TX2, TX26, TX4, TXDU, TXU, UXU, VA2, VES6, VG24, VG29, VGE2, VGE4, VGE5, VHA9, VHH4, VMS4, VPM4, VPM5, VPM8, VPM9, VPMN, VPR4, VPR9, VS17, VS19, VSD, VSD1, VSD2, VSD7, VSD9, VWA2, VWS, VWW2, VWWN, VX2, VX4, VXE9, VXU1, VXW2, WKS, WKT2, WKT4, WKT6, WMBO	
			-	-	1	-		



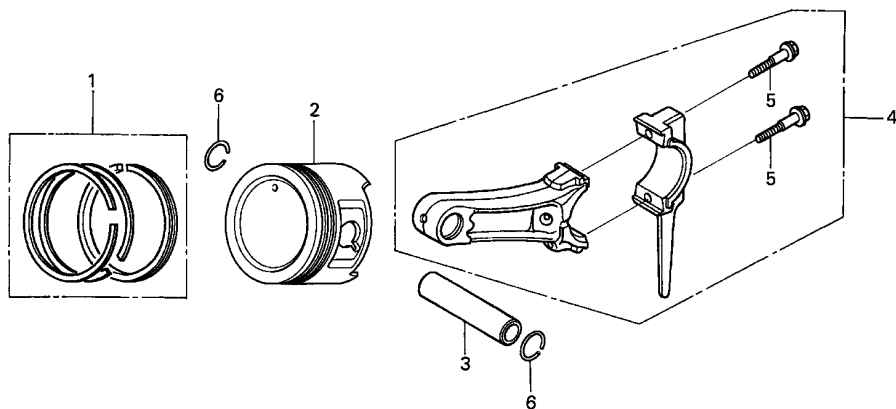


Ref. No.	L.O.N.	(Relative ref. Number) Description	F.R.T.
1		(2,3,4,5,6,7,9,10,11,13)	
1101F0		CRANKSHAFT	1.1
16	1101A4	BEARING, CRANKSHAFT :FRONT ...	1.3



Ref. No.	Part No.	Description	Reqd. QTY				Serial No.	Parts catalogue code
			GX 160	GX 160	GX 160	GX 160		
1	13310-ZE1-610	CRANKSHAFT COMP. (L=209.5) ...	1	-	-	-	LHQ4, LX2, LX26, LX4, LXU	
	13310-Z4M-610	-	-	1	-	LHN4, LHQ4, LX2, LX4, LXM2	
2	13310-ZOT-800	CRANKSHAFT COMP.	1	-	-	-	QA2, QA26, QAX2, QAX4, QBC2, QBM2, QBT6, QCB2, QCL, QGR9, QH26, QHG4, QHQ4, QHQU, QKA4, QMC6, QMC8, QMD6, QME4, QMP4, QMZ2, QNT, QNT4, QPU, QW24, QWA4, QWW2, QWX2, QX2, QX26, QX4, QXC4, QXC9, QXE2, QXE4, QXE5, QXE8, QXF2, QXP2, QXS2, QXU, QXW, QXWE	
	13310-ZOT-900	1	-	-	-	QX7, QX9	
	13310-Z4M-800	-	-	1	1	QA2, QAX2, QAX4, QBC2, QBM2, QGR9, QH26, QHG4, QHQ4, QMC6, QMC8, QMD6, QME4, QMP4, QMX2, QPU, QWA4, QWX2, QX2, QX4, QXE2, QXE5, QXE8, QXM2, QXS2, QXU, QXWE	
	13310-Z4M-900	-	-	1	-	QX9	
3	13310-ZOT-830	CRANKSHAFT COMP.	1	-	-	-	TCS2, TW24, TX2, TX26, TX4, TXDU, TXU	
	13310-ZE1-660	1	-	-	-	TXC9	
	13310-Z4M-830	CRANKSHAFT COMP. (L=196) ...	-	-	1	-	TX2, TX4, TXDU	
4	13310-ZOT-840	CRANKSHAFT COMP.	1	-	-	-	PXU	
	13310-Z4M-840	-	-	1	-	PXU	
5	13310-ZOT-850	CRANKSHAFT COMP.	1	-	-	-	VA2, VGE2, VGE4, VGE5, VHH4, VMS4, VPM4, VPM5, VPMN, VPR4, VSD, VSD1, VWA2, VWW2, VWWN, VX2, VX4, VXU1, VXW2	
	13310-ZOT-950	1	-	-	-	VHA9, VPM8, VPM9, VPR9, VS17, VS19, VSD2, VSD7, VSD9, VXE9	
	13310-Z4M-850	-	-	1	1	VA2, VGE4, VGE5, VHH4, VPM5, VMS, VWWN, VX2, VXU1	
	13310-Z4M-950	-	-	1	1	VS19, VSD9, VXE9	
6	13310-ZOT-860	CRANKSHAFT COMP.	1	-	-	-	WKT2, WKT4, WKT6, WMBO	
	13310-Z4M-860	-	-	1	-	WKT2, WMBO	
7	13310-ZOT-880	CRANKSHAFT COMP.	1	1	-	-	RH2, RHG4, RHQ4, RTB2, RX4, RXE2, RXP2, RXU, SD16, SG22, SG24, SHQ4, SHQU, SMC7, SMC9, SSX2, SWG4, SWX2, SX2, SX4, SXE4, SXE5, SXS2, SXS4, SXU	
	13310-ZOT-980	1	-	-	-	SX7, SX9, SXS	
	13310-Z4M-880	-	-	1	1	RH2, RHG4, RHQ4, RX4, RXE2, RXU, S1CY, SD16, SHQ4, SHRY, SMC7, SMC9, SMW2, SSX2, SWG4, SWX2, SX4, SXE5, SXS4, SXU	

Ref. No.	Part No.	Description	Reqd. QTY				Serial No.	Parts catalogue code
			GX 160 UT1	GX 160 RT1	GX 160 UT2	GX 160 RT2		
(7)	13310-Z4M-980	CRANKSHAFT COMP.	-	-	1	-	SX9	
8	90741-883-810	KEY, 5X5X33(YELLOW)	1	1	-	-	SD16,SG22,SG24,SHQ4,SHQU,SMC7,SMC9,SSX2,SWG4,SWX2,SX2,SX4,SX7 SX9,SXE4,SXE5,SXS,SXS2,SXS4,SXU	
	90745-ZE1-600	KEY, 4.78X4.78X38	1	-	-	-	QA2,QA26,QAX2,QAX4,QBC2,QBM2,QBT6,QCB2,QCL,QGR9,QH26,QKA4,QMC6 QMC8,QMD6,QMZ2,QNT,QNT4,QPU,QW24,QWA4,QWW2,QWX2,QX2,QX26,QX4 QX7,QX9,QXC4,QXC9,QXE2,QXE4,QXE5,QXE8,QXF2,QXP2,QXS2,QXU,QXW QXWE	
	90741-883-810	KEY, 5X5X33(YELLOW)	-	-	1	1	QA2,QAX2,QAX4,QBC2,QBM2,QGR9,QH26,QHG4,QHQ4,QMC6,QMC8,QMD6 QME4,QMP4,QMX2,QPU,QWA4,QWX2,QX2,QX4,QX9,QXE2,QXE5,QXE8,QXM2 QXS2,QXU,QXWE	
	90741-883-810	KEY, 5X5X33(YELLOW)	-	-	1	-	RH2,RHQ4,RX4,RXE2,RXU,S1CY,SD16,SHQ4,SHRY,SMC7,SMC9,SMW2,SSX2 SWX2,SX4,SX9,SXE5,SXS4,SXU	
	90741-883-810	KEY, 5X5X33(YELLOW)	-	-	-	1	RHG4,SWG4	
9	13310-ZB2-000	CRANKSHAFT COMP.	1	-	-	-	VG24	
	13310-Z0T-680	1	-	-	-	VG29	
	13310-Z4M-680	-	-	-	1	EMAN,VES6	
10	13310-Z0T-870	CRANKSHAFT COMP.	1	-	-	-	WKS	
	13310-Z4M-870	-	-	1	-	WKS	
11	13310-ZE1-622	CRANKSHAFT COMP.	1	-	-	-	HH26	
	13310-Z4X-620	CRANKSHAFT COMP.(H-TYPE)	1	-	-	-	HHQ4,HX2,HX4,HXE8,HXU	
	13310-Z4M-620	CRANKSHAFT COMP.	-	-	1	-	HH26,HHQ4,HX2,HX4,HXE8	
13	13310-Z0T-640	CRANKSHAFT COMP.	1	-	-	-	UXU	
	13310-Z4M-640	-	-	1	-	UXU	
14	90473-842-000	WASHER, 8MM	1	-	1	-	QMX2,S1CY,SHRY,SMW2,SSX2	
15	92101-08025-0A	BOLT, HEX., 8X25	1	-	-	-	SSX2	
	90003-ZE1-000	BOLT, HEX., 5/16"	-	-	1	-	QMX2	
16	91001-Z4X-003	BEARING, RADIAL BALL, 6205 (NSK)	-	-	1	1		
	91001-ZF1-003	BEARING, RADIAL BALL(6205TMB) (NTN)	-	-	1	1		
	91001-ZF1-004	BEARING, RADIAL BALL(6205SH) (KOYO)	-	-	1	1		

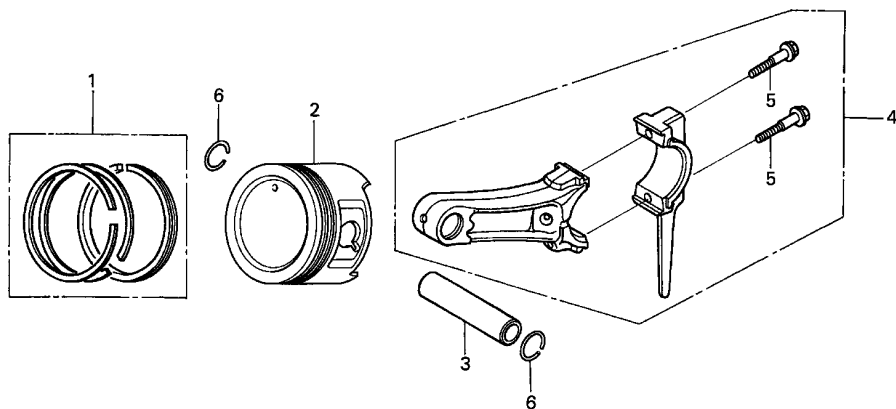


Z4M0-E0800

Ref. No.	L.O.N.	(Relative ref. Number) Description	F.R.T.
2		(1,3,4)	
1111R1		PISTON AND/OR RING SET AND/OR BEARING AND/OR ROD INCLUDES: Inspection/ Measurement/Cleaning	1.1

Ref. No.	Part No.	Description	Reqd. QTY				Serial No.	Parts catalogue code
			GX 160 UT1	GX 160 RT1	GX 160 UT2	GX 160 RT2		
1	13010-Z4K-004	RING SET, PISTON(STD.) (TEIKOKU)	1	1	-	-	-----	HH26, HHQ4, HX2, HX4, HXE8, HXU, QAX2, QAX4, QBM2, QHG4, QHQU, QKA4, QNT4, QXC4, QXC9, QXE4, QXE5, QXE8, QXP2, QXW, QXWE, RH2, RHG4, RHQ4, RTB2, RX4, RXE2, RXP2, RXU, SG22, SHQU, SSSX2, SWG4, SX2, SXE4, SXE5, SXS, SXS2, TXC9, TXDU, UXU, VG29, VGE2, VPMN, VSD2, VWWN, WMB0
	13011-Z4K-004	RING SET, PISTON(0.25) (TEIKOKU)	(1)	(1)	-	-	-----	HH26, HHQ4, HX2, HX4, HXE8, HXU, QAX2, QAX4, QBM2, QHG4, QHQU, QKA4, QNT4, QXC4, QXC9, QXE4, QXE5, QXE8, QXP2, QXW, QXWE, RH2, RHG4, RHQ4, RTB2, RX4, RXE2, RXP2, RXU, SG22, SHQU, SSSX2, SWG4, SX2, SXE4, SXE5, SXS, SXS2, TXC9, TXDU, UXU, VG29, VGE2, VPMN, VSD2, VWWN, WMB0
	13012-Z4K-004	RING SET, PISTON(0.50) (TEIKOKU)	(1)	(1)	-	-	-----	HH26, HHQ4, HX2, HX4, HXE8, HXU, QAX2, QAX4, QBM2, QHG4, QHQU, QKA4, QNT4, QXC4, QXC9, QXE4, QXE5, QXE8, QXP2, QXW, QXWE, RH2, RHG4, RHQ4, RTB2, RX4, RXE2, RXP2, RXU, SG22, SHQU, SSSX2, SWG4, SX2, SXE4, SXE5, SXS, SXS2, TXC9, TXDU, UXU, VG29, VGE2, VPMN, VSD2, VWWN, WMB0
	13013-Z4K-004	RING SET, PISTON(0.75) (TEIKOKU)	(1)	(1)	-	-	-----	HH26, HHQ4, HX2, HX4, HXE8, HXU, QAX2, QAX4, QBM2, QHG4, QHQU, QKA4, QNT4, QXC4, QXC9, QXE4, QXE5, QXE8, QXP2, QXW, QXWE, RH2, RHG4, RHQ4, RTB2, RX4, RXE2, RXP2, RXU, SG22, SHQU, SSSX2, SWG4, SX2, SXE4, SXE5, SXS, SXS2, TXC9, TXDU, UXU, VG29, VGE2, VPMN, VSD2, VWWN, WMB0
	13010-Z4M-003	RING SET, PISTON(STD.) (RIKEN)	1	-	-	-	-----	QAX4, QBM2, QHG4, QHQU, QXC4, QXP2, SG22, SHQU, SX2, SXS, SXS2, TXDU, VGE2, VPMN, VSD2, VWWN
	13011-Z4M-003	RING SET, PISTON(0.25) (RIKEN)	(1)	-	-	-	-----	QAX4, QBM2, QHG4, QHQU, QXC4, QXP2, SG22, SHQU, SX2, SXS, SXS2, TXDU, VGE2, VPMN, VSD2, VWWN
	13012-Z4M-003	RING SET, PISTON(0.50) (RIKEN)	(1)	-	-	-	-----	QAX4, QBM2, QHG4, QHQU, QXC4, QXP2, SG22, SHQU, SX2, SXS, SXS2, TXDU, VGE2, VPMN, VSD2, VWWN
	13013-Z4M-003	RING SET, PISTON(0.75) (RIKEN)	(1)	-	-	-	-----	QAX4, QBM2, QHG4, QHQU, QXC4, QXP2, SG22, SHQU, SX2, SXS, SXS2, TXDU, VGE2, VPMN, VSD2, VWWN

Ref. No.	Part No.	Description	Reqd. QTY				Serial No.	Parts catalogue code
			GX 160 UT1	GX 160 RT1	GX 160 UT2	GX 160 RT2		
(1)	13010-ZOT-801	RING SET, PISTON(STD.) (RIKEN)	1	-	-	-	1699489	LHQ4, LX2, LX26, LX4, LXU, PXU, QA2, QA26, QBC2, QBT6, QCB2, QCL, QGR9, QH26, QHQ4, QMC6, QMC8, QMD6, QME4, QMP4, QMZ2, QNT, QPU, QW24, QWA4, QWW2, QWX2, QX2, QX26, QX4, QX7, QX9, QXE2, QXF2, QXS2, QXU, SD16, SG24, SHQ4, SMC7, SMC9, SWX2, SX4, SX7, SX9, SXS4, SXU, TCS2, TW24, TX2, TX26, TX4, TXU, VA2, VG24, VGE4, VGE5, VHA9, VHH4, VMS4, VPM4, VPM5, VPM8, VPM9, VPR4, VPR9, VS17, VS19, VSD, VSD1, VSD7, VSD9, VWA2, VWW2, VX2, VX4, VXE9, VXU1, VXW2, WKS, WKT2, WKT4, WKT6
	13011-ZOT-801	RING SET, PISTON(0.25) (RIKEN)	(1)	-	-	-	1699489	LHQ4, LX2, LX26, LX4, LXU, PXU, QA2, QA26, QBC2, QBT6, QCB2, QCL, QGR9, QH26, QHQ4, QMC6, QMC8, QMD6, QME4, QMP4, QMZ2, QNT, QPU, QW24, QWA4, QWW2, QWX2, QX2, QX26, QX4, QX7, QX9, QXE2, QXF2, QXS2, QXU, SD16, SG24, SHQ4, SMC7, SMC9, SWX2, SX4, SX7, SX9, SXS4, SXU, TCS2, TW24, TX2, TX26, TX4, TXU, VA2, VG24, VGE4, VGE5, VHA9, VHH4, VMS4, VPM4, VPM5, VPM8, VPM9, VPR4, VPR9, VS17, VS19, VSD, VSD1, VSD7, VSD9, VWA2, VWW2, VX2, VX4, VXE9, VXU1, VXW2, WKS, WKT2, WKT4, WKT6
	13012-ZOT-801	RING SET, PISTON(0.50) (RIKEN)	(1)	-	-	-	1699489	LHQ4, LX2, LX26, LX4, LXU, PXU, QA2, QA26, QBC2, QBT6, QCB2, QCL, QGR9, QH26, QHQ4, QMC6, QMC8, QMD6, QME4, QMP4, QMZ2, QNT, QPU, QW24, QWA4, QWW2, QWX2, QX2, QX26, QX4, QX7, QX9, QXE2, QXF2, QXS2, QXU, SD16, SG24, SHQ4, SMC7, SMC9, SWX2, SX4, SX7, SX9, SXS4, SXU, TCS2, TW24, TX2, TX26, TX4, TXU, VA2, VG24, VGE4, VGE5, VHA9, VHH4, VMS4, VPM4, VPM5, VPM8, VPM9, VPR4, VPR9, VS17, VS19, VSD, VSD1, VSD7, VSD9, VWA2, VWW2, VX2, VX4, VXE9, VXU1, VXW2, WKS, WKT2, WKT4, WKT6
	13013-ZOT-801	RING SET, PISTON(0.75) (RIKEN)	(1)	-	-	-	1699489	LHQ4, LX2, LX26, LX4, LXU, PXU, QA2, QA26, QBC2, QBT6, QCB2, QCL, QGR9, QH26, QHQ4, QMC6, QMC8, QMD6, QME4, QMP4, QMZ2, QNT, QPU, QW24, QWA4, QWW2, QWX2, QX2, QX26, QX4, QX7, QX9, QXE2, QXF2, QXS2, QXU, SD16, SG24, SHQ4, SMC7, SMC9, SWX2, SX4, SX7, SX9, SXS4, SXU, TCS2, TW24, TX2, TX26, TX4, TXU, VA2, VG24, VGE4, VGE5, VHA9, VHH4, VMS4, VPM4, VPM5, VPM8, VPM9, VPR4, VPR9, VS17, VS19, VSD, VSD1, VSD7, VSD9, VWA2, VWW2, VX2, VX4, VXE9, VXU1, VXW2, WKS, WKT2, WKT4, WKT6
	13013-ZLO-003	RING SET, PISTON(0.75) (TEIKOKU)	(1)	-	-	-	1699489	PXU, QHQ4, QME4, QX4, QXU, SHQ4, SX4, SXS4, SXU, TXU, VSD, VX4, VXU1
	13013-ZLO-004	RING SET, PISTON(0.75) (NIPPON)	(1)	-	-	-	1699489	PXU, QHQ4, QME4, QX4, QXU, SHQ4, SX4, SXS4, SXU, TXU, VSD, VX4, VXU1
	13010-Z4M-003	RING SET, PISTON(STD.) (RIKEN)	1	-	-	-	1699490	LHQ4, LX2, LX26, LX4, LXU, PXU, QA2, QA26, QBC2, QBT6, QCB2, QCL, QGR9, QH26, QHQ4, QMC6, QMC8, QMD6, QME4, QMP4, QMZ2, QNT, QPU, QW24, QWA4, QWW2, QX2, QX26, QX4, QX7, QX9, QXE2, QXF2, QXS2, QXU, SD16, SG24, SHQ4, SMC7, SMC9, SWX2, SX4, SX7, SX9, SXS4, SXU, TCS2, TW24, TX2, TX26, TX4, TXU, VA2, VG24, VGE4, VGE5, VHA9, VHH4, VMS4, VPM4, VPM5, VPM8, VPM9, VPR4, VPR9, VS17, VS19, VSD, VSD1, VSD7, VSD9, VWA2, VWW2, VX2, VX4, VXE9, VXU1, VXW2, WKS, WKT2, WKT4, WKT6
	13013-Z4M-003	RING SET, PISTON(0.75) (RIKEN)	(1)	-	-	-	1699490	LHQ4, LX2, LX26, LX4, LXU, PXU, QA2, QA26, QBC2, QBT6, QCB2, QCL, QGR9, QH26, QHQ4, QMC6, QMC8, QMD6, QME4, QMP4, QMZ2, QNT, QPU, QW24, QWA4, QWW2, QWX2, QX2, QX26, QX4, QX7, QX9, QXE2, QXF2, QXP2, QXS2, QXU, SD16, SG24, SHQ4, SMC7, SMC9, SWX2, SX4, SX7, SX9, SXS4, SXU, TCS2, TW24, TX2, TX26, TX4, TXDU, TXU, VA2, VG24, VGE2, VGE4, VGE5, VHA9, VHH4, VMS4, VPM4, VPM5, VPM8, VPM9, VPMN, VPR4, VPR9, VS17, VS19, VSD, VSD1, VSD2, VSD7, VSD9, VWA2, VWW2, VWWN, VX2, VX4, VXE9, VXU1, VXW2, WKS, WKT2, WKT4, WKT6
	13010-Z4K-004	RING SET, PISTON(STD.) (TEIKOKU)	1	-	-	-	1699490	LHQ4, LX2, LX26, LX4, LXU, PXU, QA2, QA26, QBC2, QBT6, QCB2, QCL, QGR9, QH26, QHQ4, QMC6, QMC8, QMD6, QME4, QMP4, QMZ2, QNT, QPU, QW24, QWA4, QWW2, QWX2, QX2, QX26, QX4, QX7, QX9, QXE2, QXF2, QXS2, QXU, SD16, SG24, SHQ4, SMC7, SMC9, SWX2, SX4, SX7, SX9, SXS4, SXU, TCS2, TW24, TX2, TX26, TX4, TXU, VA2, VG24, VGE4, VGE5, VHA9, VHH4, VMS4, VPM4, VPM5, VPM8, VPM9, VPR4, VPR9, VS17, VS19, VSD, VSD1, VSD7, VSD9, VWA2, VWW2, VX2, VX4, VXE9, VXU1, VXW2, WKS, WKT2, WKT4, WKT6



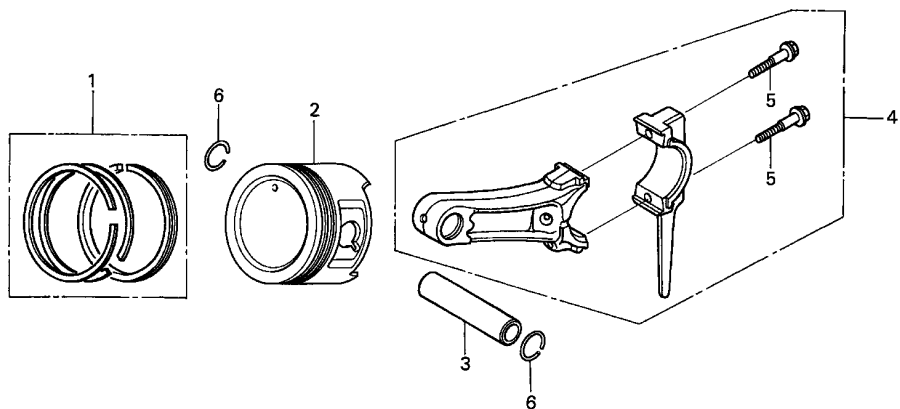
Z4M0-E0800



Ref. No.	Part No.	Description	Reqd. QTY				Serial No.	Parts catalogue code
			GX 160 UT1	GX 160 RT1	GX 160 UT2	GX 160 RT2		
(1)	13011-Z4K-004	RING SET, PISTON(0.25) (TEIKOKU)	(1)	-	-	-	1699490 -----	LHQ4, LX2, LX26, LX4, LXU, PXU, QA2, QA26, QBC2, QBT6, QCB2, QCL, QGR9, QH26, QHQ4, QMC6, QMC8, QMD6, QME4, QMP4, QM22, QNT, QPU, QW24, QWA4, QWW2, QWX2, QX2, QX26, QX4, QX7, QX9, QXE2, QXF2, QXS2, QXU, SD16, SG24, SHQ4, SMC7, SMC9, SWX2, SX4, SX7, SX9, SXS4, SXU, TCS2, TW24, TX2, TX26, TX4, TXU, VA2, VG24, VGE4, VGE5, VHA9, VHH4, VMS4, VPM4, VPM5, VPM8, VPM9, VPR4, VPR9, VS17, VS19, VSD, VSD1, VSD7, VSD9, VWA2, VWW2, VX2, VX4, VXE9, VXU1, VXW2, WKS, WKT2, WKT4, WKT6
	13011-Z4M-003	RING SET, PISTON(0.25) (RIKEN)	(1)	-	-	-	1699490 -----	LHQ4, LX2, LX26, LX4, LXU, PXU, QA2, QA26, QBC2, QBT6, QCB2, QCL, QGR9, QH26, QHQ4, QMC6, QMC8, QMD6, QME4, QMP4, QM22, QNT, QPU, QW24, QWA4, QWW2, QWX2, QX2, QX26, QX4, QX7, QX9, QXE2, QXF2, QXS2, QXU, SD16, SG24, SHQ4, SMC7, SMC9, SWX2, SX4, SX7, SX9, SXS4, SXU, TCS2, TW24, TX2, TX26, TX4, TXU, VA2, VG24, VGE4, VGE5, VHA9, VHH4, VMS4, VPM4, VPM5, VPM8, VPM9, VPR4, VPR9, VS17, VS19, VSD, VSD1, VSD7, VSD9, VWA2, VWW2, VX2, VX4, VXE9, VXU1, VXW2, WKS, WKT2, WKT4, WKT6
	13012-Z4K-004	RING SET, PISTON(0.50) (TEIKOKU)	(1)	-	-	-	1699490 -----	LHQ4, LX2, LX26, LX4, LXU, PXU, QA2, QA26, QBC2, QBT6, QCB2, QCL, QGR9, QH26, QHQ4, QMC6, QMC8, QMD6, QME4, QMP4, QM22, QNT, QPU, QW24, QWA4, QWW2, QWX2, QX2, QX26, QX4, QX7, QX9, QXE2, QXF2, QXS2, QXU, SD16, SG24, SHQ4, SMC7, SMC9, SWX2, SX4, SX7, SX9, SXS4, SXU, TCS2, TW24, TX2, TX26, TX4, TXU, VA2, VG24, VGE4, VGE5, VHA9, VHH4, VMS4, VPM4, VPM5, VPM8, VPM9, VPR4, VPR9, VS17, VS19, VSD, VSD1, VSD7, VSD9, VWA2, VWW2, VX2, VX4, VXE9, VXU1, VXW2, WKS, WKT2, WKT4, WKT6

Ref. No.	Part No.	Description	Reqd. QTY				Serial No.	Parts catalogue code
			GX 160 UT1	GX 160 RT1	GX 160 UT2	GX 160 RT2		
(1)	13012-Z4M-003	RING SET, PISTON(0.50) (RIKEN)	(1)	-	-	-	1699490	LHQ4, LX2, LX26, LX4, LXU, PXU, QA2, QA26, QBC2, QBT6, QCB2, QCL, QGR9, QH26, QHQ4, QMC6, QMC8, QMD6, QME4, QMP4, QM22, QNT, QPU, QW24, QWA4, QWW2, QWX2, QX2, QX26, QX4, QX7, QX9, QXE2, QXF2, QXS2, QXU, SD16, SG24, SHQ4, SMC7, SMC9, SWX2, SX4, SX7, SX9, SXS4, SXU, TCS2, TW24, TX2, TX26, TX4, TXU, VA2, VG24, VGE4, VGE5, VHA9, VHH4, VMS4, VPM4, VPM5, VPM8, VPM9, VPR4, VPR9, VS17, VS19, VSD, VSD1, VSD7, VSD9, VWA2, VWW2, VX2, VX4, VXE9, VXU1, VXX2, WKS, WKT2, WKT4, WKT6
	13013-Z4K-004	RING SET, PISTON(0.75) (TEIKOKU)	(1)	-	-	-	1699490	LHQ4, LX2, LX26, LX4, LXU, PXU, QA2, QA26, QBC2, QBT6, QCB2, QCL, QGR9, QH26, QHQ4, QMC6, QMC8, QMD6, QME4, QMP4, QM22, QNT, QPU, QW24, QWA4, QWW2, QWX2, QX2, QX26, QX4, QX7, QX9, QXE2, QXF2, QXS2, QXU, SD16, SG24, SHQ4, SMC7, SMC9, SWX2, SX4, SX7, SX9, SXS4, SXU, TCS2, TW24, TX2, TX26, TX4, TXU, VA2, VG24, VGE4, VGE5, VHA9, VHH4, VMS4, VPM4, VPM5, VPM8, VPM9, VPR4, VPR9, VS17, VS19, VSD, VSD1, VSD7, VSD9, VWA2, VWW2, VX2, VX4, VXE9, VXU1, VXX2, WKS, WKT2, WKT4, WKT6
2	13101-ZH8-020	PISTON(STD.)	1	1	-	-		HH26, HHQ4, HX2, HX4, HXE8, HXU, QAX2, QAX4, QBM2, QHG4, QHQ4, QKA4, QNT4, QXC4, QXC9, QXE4, QXE5, QXE8, QXP2, QXW, QXWE, RH2, RHG4, RHQ4, RTB2, RX4, RXE2, RXP2, RXU, SG22, SHQU, SSS2, SWG4, SX2, SXE4, SXE5, SXS, SXS2, TXC9, TXDU, UXU, VG29, VGE2, VPMN, VSD2, VWWN, WMBO
	13102-ZH8-020	PISTON(0.25)	(1)	(1)	-	-		HH26, HHQ4, HX2, HX4, HXE8, HXU, QAX2, QAX4, QBM2, QHG4, QHQ4, QKA4, QNT4, QXC4, QXC9, QXE4, QXE5, QXE8, QXP2, QXW, QXWE, RH2, RHG4, RHQ4, RTB2, RX4, RXE2, RXP2, RXU, SG22, SHQU, SSS2, SWG4, SX2, SXE4, SXE5, SXS, SXS2, TXC9, TXDU, UXU, VG29, VGE2, VPMN, VSD2, VWWN, WMBO
	13103-ZH8-020	PISTON(0.50)	(1)	(1)	-	-		HH26, HHQ4, HX2, HX4, HXE8, HXU, QAX2, QAX4, QBM2, QHG4, QHQ4, QKA4, QNT4, QXC4, QXC9, QXE4, QXE5, QXE8, QXP2, QXW, QXWE, RH2, RHG4, RHQ4, RTB2, RX4, RXE2, RXP2, RXU, SG22, SHQU, SSS2, SWG4, SX2, SXE4, SXE5, SXS, SXS2, TXC9, TXDU, UXU, VG29, VGE2, VPMN, VSD2, VWWN, WMBO
	13104-ZH8-020	PISTON(0.75)	(1)	(1)	-	-		HH26, HHQ4, HX2, HX4, HXE8, HXU, QAX2, QAX4, QBM2, QHG4, QHQ4, QKA4, QNT4, QXC4, QXC9, QXE4, QXE5, QXE8, QXP2, QXW, QXWE, RH2, RHG4, RHQ4, RTB2, RX4, RXE2, RXP2, RXU, SG22, SHQU, SSS2, SWG4, SX2, SXE4, SXE5, SXS, SXS2, TXC9, TXDU, UXU, VG29, VGE2, VPMN, VSD2, VWWN, WMBO
	13103-ZH8-010	PISTON(0.50)	(1)	-	-	-		PXU, QHQ4, QME4, QX4, QXU, SHQ4, SX4, SXS4, SXU, TXU, VSD, VX4, VXU1
	13104-ZH8-010	PISTON(0.75)	(1)	-	-	-		PXU, QHQ4, QME4, QX4, QXU, SHQ4, SX4, SXS4, SXU, TXU, VSD, VX4, VXU1
	13101-Z0T-810	PISTON(STD.)	1	-	-	-	1699489	LHQ4, LX2, LX26, LX4, LXU, PXU, QA2, QA26, QBC2, QBT6, QCB2, QCL, QGR9, QH26, QHQ4, QMC6, QMC8, QMD6, QME4, QMP4, QM22, QNT, QPU, QW24, QWA4, QWW2, QWX2, QX2, QX26, QX4, QX7, QX9, QXE2, QXF2, QXS2, QXU, SD16, SG24, SHQ4, SMC7, SMC9, SWX2, SX4, SX7, SX9, SXS4, SXU, TCS2, TW24, TX2, TX26, TX4, TXU, VA2, VG24, VGE4, VGE5, VHA9, VHH4, VMS4, VPM4, VPM5, VPM8, VPM9, VPR4, VPR9, VS17, VS19, VSD, VSD1, VSD7, VSD9, VWA2, VWW2, VX2, VX4, VXE9, VXU1, VXX2, WKS, WKT2, WKT4, WKT6
	13102-Z0T-810	PISTON(0.25)	(1)	-	-	-	1699489	LHQ4, LX2, LX26, LX4, LXU, PXU, QA2, QA26, QBC2, QBT6, QCB2, QCL, QGR9, QH26, QHQ4, QMC6, QMC8, QMD6, QME4, QMP4, QM22, QNT, QPU, QW24, QWA4, QWW2, QWX2, QX2, QX26, QX4, QX7, QX9, QXE2, QXF2, QXS2, QXU, SD16, SG24, SHQ4, SMC7, SMC9, SWX2, SX4, SX7, SX9, SXS4, SXU, TCS2, TW24, TX2, TX26, TX4, TXU, VA2, VG24, VGE4, VGE5, VHA9, VHH4, VMS4, VPM4, VPM5, VPM8, VPM9, VPR4, VPR9, VS17, VS19, VSD, VSD1, VSD7, VSD9, VWA2, VWW2, VX2, VX4, VXE9, VXU1, VXX2, WKS, WKT2, WKT4, WKT6
	13103-Z0T-810	PISTON(0.50)	(1)	-	-	-	1699489	LHQ4, LX2, LX26, LX4, LXU, PXU, QA2, QA26, QBC2, QBT6, QCB2, QCL, QGR9, QH26, QHQ4, QMC6, QMC8, QMD6, QME4, QMP4, QM22, QNT, QPU, QW24, QWA4, QWW2, QWX2, QX2, QX26, QX4, QX7, QX9, QXE2, QXF2, QXS2, QXU, SD16, SG24, SHQ4, SMC7, SMC9, SWX2, SX4, SX7, SX9, SXS4, SXU, TCS2, TW24, TX2, TX26, TX4, TXU, VA2, VG24, VGE4, VGE5, VHA9, VHH4, VMS4, VPM4, VPM5, VPM8, VPM9, VPR4, VPR9, VS17, VS19, VSD, VSD1, VSD7, VSD9, VWA2, VWW2, VX2, VX4, VXE9, VXU1, VXX2, WKS, WKT2, WKT4, WKT6

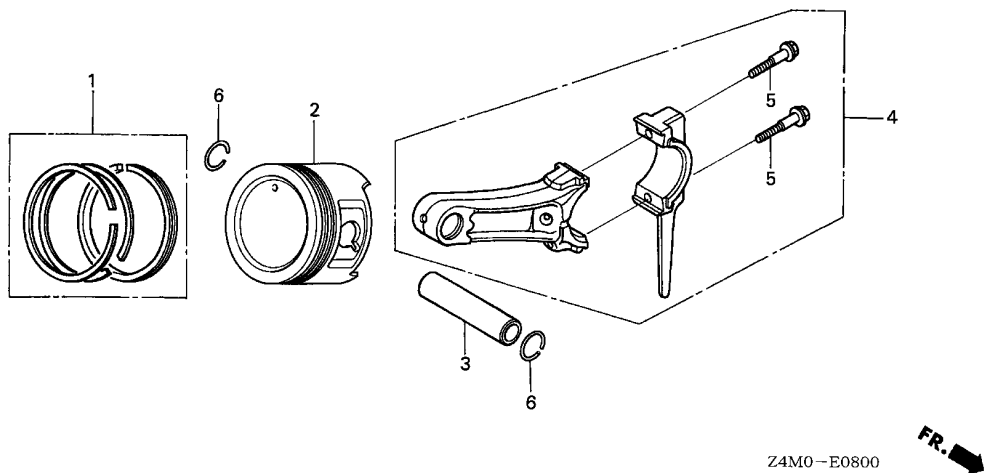




Z4M0-E0800

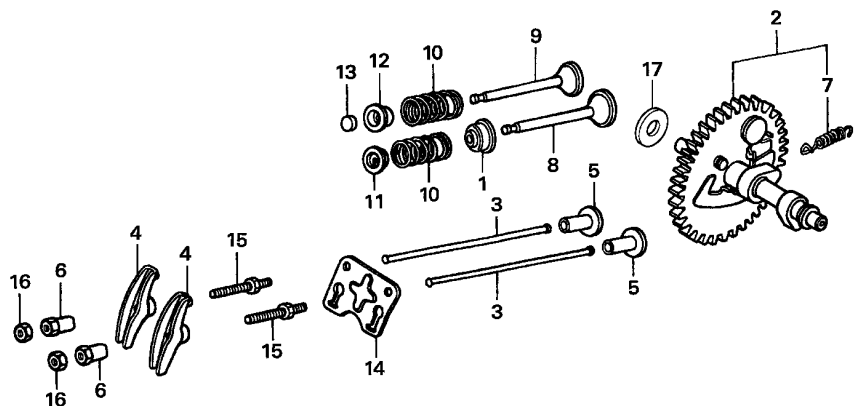


Ref. No.	Part No.	Description	Reqd. QTY				Serial No.	Parts catalogue code
			GX 160 UT1	GX 160 RT1	GX 160 UT2	GX 160 RT2		
(2)	13104-Z0T-810	PISTON(0.75)	(1)	-	-	-	1699489	LHQ4, LX2, LX26, LX4, LXU, PXU, QA2, QA26, QBC2, QBT6, QCB2, QCL, QGR9, QH26, QHQ4, QMC6, QMC8, QMD6, QME4, QMP4, QM22, QNT, QPU, QW24, QWA4, QWW2, QWX2, QX2, QX26, QX4, QX7, QX9, QXE2, QXF2, QXS2, QXU, SD16, SG24, SHQ4, SMC7, SMC9, SWX2, SX4, SX7, SX9, SXS4, SXU, TCS2, TW24, TX2, TX26, TX4, TXU, VA2, VG24, VGE4, VGE5, VHA9, VHH4, VMS4, VPM4, VPM5, VPM8, VPM9, VPR4, VPR9, VS17, VS19, VSD, VSD1, VSD7, VSD9, VWA2, VWW2, VX2, VX4, VXE9, VXU1, VXW2, WKS, WKT2, WKT4, WKT6
	13101-ZH8-020	PISTON(STD.)	1	-	-	-	1699490	LHQ4, LX2, LX26, LX4, LXU, PXU, QA2, QA26, QBC2, QBT6, QCB2, QCL, QGR9, QH26, QHQ4, QMC6, QMC8, QMD6, QME4, QMP4, QM22, QNT, QPU, QW24, QWA4, QWW2, QWX2, QX2, QX26, QX4, QX7, QX9, QXE2, QXF2, QXS2, QXU, SD16, SG24, SHQ4, SMC7, SMC9, SWX2, SX4, SX7, SX9, SXS4, SXU, TCS2, TW24, TX2, TX26, TX4, TXU, VA2, VG24, VGE4, VGE5, VHA9, VHH4, VMS4, VPM4, VPM5, VPM8, VPM9, VPR4, VPR9, VS17, VS19, VSD, VSD1, VSD7, VSD9, VWA2, VWW2, VX2, VX4, VXE9, VXU1, VXW2, WKS, WKT2, WKT4, WKT6
	13102-ZH8-020	PISTON(0.25)	(1)	-	-	-	1699490	LHQ4, LX2, LX26, LX4, LXU, PXU, QA2, QA26, QBC2, QBT6, QCB2, QCL, QGR9, QH26, QHQ4, QMC6, QMC8, QMD6, QME4, QMP4, QM22, QNT, QPU, QW24, QWA4, QWW2, QWX2, QX2, QX26, QX4, QX7, QX9, QXE2, QXF2, QXS2, QXU, SD16, SG24, SHQ4, SMC7, SMC9, SWX2, SX4, SX7, SX9, SXS4, SXU, TCS2, TW24, TX2, TX26, TX4, TXU, VA2, VG24, VGE4, VGE5, VHA9, VHH4, VMS4, VPM4, VPM5, VPM8, VPM9, VPR4, VPR9, VS17, VS19, VSD, VSD1, VSD7, VSD9, VWA2, VWW2, VX2, VX4, VXE9, VXU1, VXW2, WKS, WKT2, WKT4, WKT6
	13103-ZH8-020	PISTON(0.50)	(1)	-	-	-	1699490	LHQ4, LX2, LX26, LX4, LXU, PXU, QA2, QA26, QBC2, QBT6, QCB2, QCL, QGR9, QH26, QHQ4, QMC6, QMC8, QMD6, QME4, QMP4, QM22, QNT, QPU, QW24, QWA4, QWW2, QWX2, QX2, QX26, QX4, QX7, QX9, QXE2, QXF2, QXS2, QXU, SD16, SG24, SHQ4, SMC7, SMC9, SWX2, SX4, SX7, SX9, SXS4, SXU, TCS2, TW24, TX2, TX26, TX4, TXU, VA2, VG24, VGE4, VGE5, VHA9, VHH4, VMS4, VPM4, VPM5, VPM8, VPM9, VPR4, VPR9, VS17, VS19, VSD, VSD1, VSD7, VSD9, VWA2, VWW2, VX2, VX4, VXE9, VXU1, VXW2, WKS, WKT2, WKT4, WKT6



Ref. No.	Part No.	Description	Reqd. QTY				Serial No.	Parts catalogue code
			GX 160 UT1	GX 160 RT1	GX 160 UT2	GX 160 RT2		
(2)	13104-ZH8-020	PISTON(0.75)	(1)	-	-	-	1699490 -----	LHQ4, LX2, LX26, LX4, LXU, PXU, QA2, QA26, QBC2, QBT6, QCB2, QCL, QGR9, QH26, QHQ4, QMC6, QMC8, QMD6, QME4, QMP4, QMZ2, QNT, QPU, QW24, QWA4, QWW2, QWX2, QX2, QX26, QX4, QX7, QX9, QXE2, QXF2, QXS2, QXU, SD16, SG24, SHQ4, SMC7, SMC9, SWX2, SX4, SX7, SX9, SXS4, SXU, TCS2, TW24, TX2, TX26, TX4, TXU, VA2, VG24, VGE4, VGE5, VHA9, VHH4, VMS4, VPM4, VPM5, VPM8, VPM9, VPR4, VPR9, VS17, VS19, VSD, VSD1, VSD7, VSD9, VWA2, VWW2, VX2, VX4, VXE9, VXU1, VXX2, WKS, WKT2, WKT4, WKT6
	13101-Z4M-800	PISTON(STD.)	-	-	1	1		
3	13111-ZE1-000	PIN, PISTON	1	1	-	-		
	13111-Z4M-000		-	-	1	1		
4	13200-Z0T-800	ROD ASSY., CONNECTING	1	1	-	-		
	13200-Z4M-000		-	-	1	1		
5	90001-ZE1-000	BOLT, CONNECTING ROD	2	2	-	-		
	90001-Z4M-000	BOLT, CONNECTING ROD, 6X34.5	-	-	2	2		
6	90551-ZE1-000	CLIP, PISTON PIN, 18MM	2	2	2	2		





Z4M0-E0900A

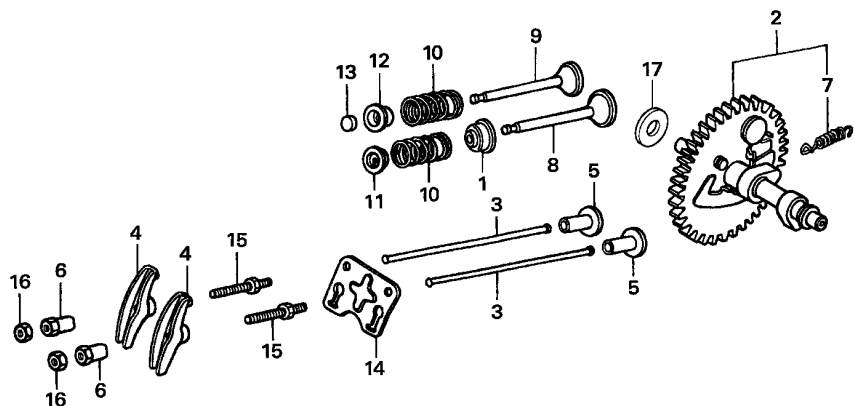


Ref. No.	L.O.N.	(Relative ref. Number) Description	F.R.T.
1	1111K2	SEAL, INTAKE VALVE STEMINCLUDES: Valve clearance adjustment	0.6
2	1111C2	CAMSHAFT	0.4
3	1111L6	ROD, PUSH :INTAKE	0.2
	1111L6A	.Replace exhaust push rod add	0.1
	1111L7	ROD, PUSH :EXHAUST	0.2
	1111L7A	.Replace intake push rod add	0.1
4	1111A2	ARM, ROCKER :INTAKE	0.2
	1111A2A	.Replace exhaust rocker arm add	0.1
	1111A1	ARM, ROCKER :EXHAUST	0.2
	1111A1A	.Replace intake rocker arm add	0.1
+ 5	1111L9	LIFTER, VALVE :INTAKE	0.4

Ref. No.	Part No.	Description	Reqd. QTY				Serial No.	Parts catalogue code
			GX 160 UT1	GX 160 RT1	GX 160 UT2	GX 160 RT2		
1	12209-ZH8-003	SEAL, VALVE STEM	1	1	-	-		
	12209-Z4M-801	-	-	1	1		
2	14100-ZE1-812	CAMSHAFT ASSY.	1	1	-	-	HH26, HHQ4, HX2, HX4, HXE8, HXU, LHQ4, LX2, LX26, LX4, LXU, PXU, QA2, QA26, QAX2, QAX4, QBC2, QBM2, QBT6, QCB2, QGR9, QH26, QHQ4, QHQU, QKA4, QMC6, QMC8, QMD6, QME4, QMP4, QMZ2, QNT, QNT4, QPU, QW24, QWA4, QWW2, QWX2, QX2, QX26, QX4, QXC4, QXC9, QXE2, QXE4, QXE5, QXE8, QXS2, QXU, QXW, QXWE, RH2, RHQ4, RTB2, RX4, RXE2, RXU, SD16, SG22, SG24, SHQ4, SHQU, SMC7, SMC9, SSSX2, SWG4, SWX2, SX2, SX4, SXE4, SXE5, SXS2, SXS4, SXU, TCS2, TW24, TX2, TX26, TX4, TXC9, TXDU, TXU, UXU, VG24, VG29, WKS, WKT2, WKT4, WKT6, WMBO, QHG4, RHG4	
	14100-ZH8-800	1	1	-	-	QAX4, QHQU, QXC4, QXP2, RXP2, SG22, SHQU, SX2, SXS2	
	14100-Z1T-810	CAMSHAFT ASSY. (JLH)	1	-	-	-	QCL, QXF2	
	14100-ZF1-010	CAMSHAFT ASSY.	1	-	-	-	QX7, SX7	
	14100-ZOT-820	1	-	-	-	QX9, SX9, SXS	
	14100-ZOT-880	1	-	-	-	VA2, VGE2, VGE4, VGE5, VHH4, VMS4, VPM4, VPM5, VPMN, VPR4, VSD, VSD1, VWA2, VWW2, VWWN, VX2, VX4, VXU1, VXW2	
	14100-ZLO-000	1	-	-	-	VHA9, VPM8, VPM9, VPR9, VS19, VSD9, VXE9	
	14100-ZOV-880	1	-	-	-	VS17, VSD2	
	14100-ZOV-820	CAMSHAFT ASSY. (TH)	1	-	-	-	VSD2, VSD7	
	14100-ZLO-870	CAMSHAFT ASSY.	1	-	-	-	EMAN, VA2, VGE4, VGE5, VHH4, VPM5, VWS, VWWN, VX2, VXU1	
	14100-Z4M-800	-	-	1	1	HH26, HHQ4, HX2, HX4, HXE8, LHN4, LHQ4, LX2, LX4, LXM2, PXU, QA2, QAX2, QAX4, QBC2, QBM2, QGR9, QH26, QHQ4, QMC6, QMC8, QMD6, QME4, QMP4, QMX2, QPU, QWA4, QWX2, QX2, QX4, QXE2, QXE5, QXE8, QXM2, QXS2, QXU, QXWE, RH2, RHQ4, RX4, RXE2, RXU, S1CY, SD16, SHQ4, SHRY, SMC7, SMC9, SMW2, SSSX2, SWG4, SWX2, SX4, SXE5, SXS4, SXU, TX2, TX4, TXDU, UXU, VES6, WKS, WKT2, WMBO	
	14100-Z4M-000	-	-	1	1	QX9, SX9, VS19, VSD9, VXE9	
	14100-Z4M-870	-	-	1	1	QHG4, RHG4	
	14100-Z4M-820	-	-	1	1		
3	14410-ZE1-010	ROD, PUSH	2	2	-	-		
	14410-Z4M-000	ROD COMP., PUSH	-	-	2	2		

E-9

CAMSHAFT



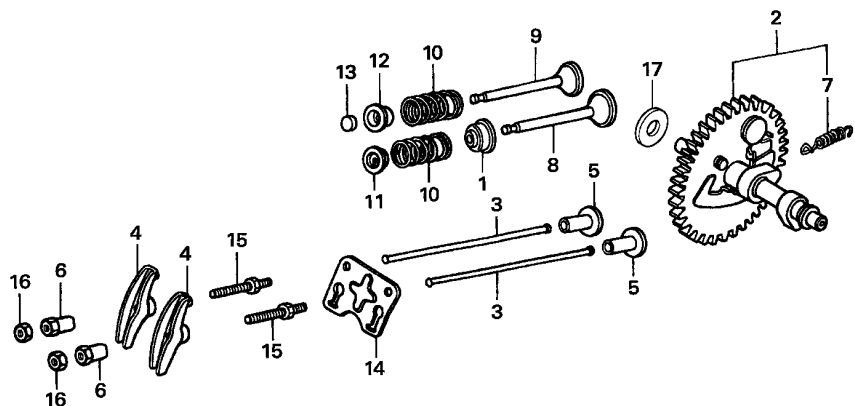
Z4M0-E0900A



Ref. No.	L.O.N.	(Relative ref. Number) Description	F.R.T.
+ 5		.INCLUDES: Valve clearance adjustment .NOTE: Same time for two units	
1111M0		LIFTER, VALVE :EXHAUSTINCLUDES: Valve clearance adjustment .NOTE: Same time for two units	0.4
8 1111L1		VALVE, INTAKEINCLUDES: Valve clearance adjustment and reface	0.7
1111LE		.Replace intake and exhaust all add	0.2
9 1111L0		VALVE, EXHAUSTINCLUDES: Valve clearance adjustment and reface	0.7
1111LOE		.Replace intake and exhaust all add	0.2
10 1111P3		SPRING, VALVE :INTAKEINCLUDES: Valve clearance adjustment	0.6
1111P3A		.Replace intake and exhaust all add	0.1
1111P4		SPRING, VALVE :EXHAUSTINCLUDES: Valve clearance adjustment	0.6
+			

Ref. No.	Part No.	Description	Reqd. QTY				Serial No.	Parts catalogue code
			GX 160 UT1	GX 160 RT1	GX 160 UT2	GX 160 RT2		
4	14431-ZE1-000	ARM, VALVE ROCKER	2	2	2	2		
5	14441-ZE1-010	LIFTER, VALVE	2	2	2	2		
6	14451-ZE1-013	PIVOT, ROCKER ARM	2	2	2	2		
7	14568-ZE1-000	SPRING, WEIGHT RETURN	1	1	1	1	-----	
							EMAN, HH26, HHQ4, HX2, HX4, HXE8, HXU, LHN4, LHQ4, LX2, LX26, LX4, LXM2, LXU, PXU, QA2, QA26, QAX2, QAX4, QBC2, QBM2, QBT6, QCB2, QCL, QGR9, QH26, QHG4, QHQ4, QHQU, QKA4, QMC6, QMC8, QMD6, QME4, QMP4, QMX2, QMZ2, QNT, QNT4, QPU, QW24, QWA4, QWW2, QWX2, QX2, QX26, QX4, QX7, QX9, QXC4, QXC9, QXE2, QXE4, QXE5, QXE8, QXF2, QXM2, QXS2, QXU, QXW, QXWE, RH2, RHG4, RHQ4, RTB2, RX4, RXE2, RXU, S1CY, SD16, SG22, SG24, SHQ4, SHQU, SHRY, SMC7, SMC9, SMW2, SSSX2, SWG4, SWX2, SX2, SX4, SX7, SX9, SXE4, SXE5, SXS, SXS2, SXS4, SXU, TCS2, TW24, TX2, TX26, TX4, TXC9, TXDU, TXU, UXU, VA2, VES6, VG24, VG29, VGE2, VGE4, VGE5, VHA9, VHH4, VMS4, VPM4, VPM5, VPM8, VPM9, VPMN, VPR4, VPR9, VS17, VS19, VSD, VSD1, VSD2, VSD7, VSD9, VWA2, VWS, VWW2, VWWN, VX2, VX4, VXE9, VXU1, VXW2, WKS, WKT2, WKT4, WKT6, WMBO	
8	14711-ZF1-000	VALVE, IN.	1	1	-	-		
	14711-Z4M-000	-	-	1	1		
9	14721-ZF1-000	VALVE, EX.	1	1	-	-	-----	
							HH26, HHQ4, HX2, HX4, HXE8, HXU, LHQ4, LX2, LX26, LX4, LXU, QA2, QA26, QAX2, QAX4, QBC2, QBM2, QBT6, QCB2, QCL, QGR9, QH26, QHG4, QHQ4, QHQU, QKA4, QMC6, QMC8, QMD6, QME4, QMP4, QMZ2, QNT, QNT4, QPU, QW24, QWA4, QWW2, QWX2, QX2, QX26, QX4, QX7, QX9, QXC4, QXC9, QXE2, QXE4, QXE5, QXE8, QXF2, QXP2, QXS2, QXU, QXW, QXWE, RH2, RHG4, RHQ4, RTB2, RX4, RXE2, RXP2, RXU, SD16, SG22, SG24, SHQ4, SHQU, SMC7, SMC9, SSSX2, SWG4, SWX2, SX2, SX4, SX7, SX9, SXE4, SXE5, SXS, SXS2, SXS4, SXU, TXC9, VA2, VG24, VG29, VGE2, VGE4, VGE5, VHA9, VHH4, VMS4, VPM4, VPM5, VPM8, VPM9, VPMN, VPR4, VPR9, VS17, VS19, VSD, VSD1, VSD2, VSD7, VSD9, VWA2, VWW2, VWWN, VX2, VX4, VXE9, VXU1, VXW2, WKS, WKT2, WKT4, WKT6, WMBO	
	14721-ZH8-810	VALVE, EX. (STELLITE)	1	-	-	-	-----	
							PXU, TCS2, TW24, TX2, TX26, TX4, TXDU, TXU, UXU	



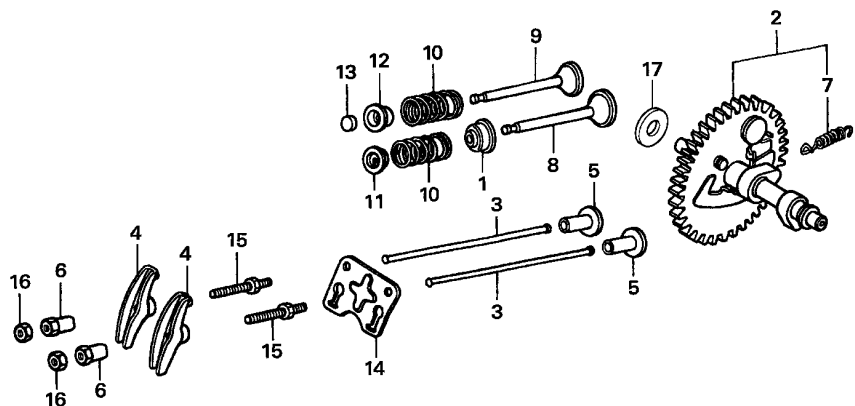


Z4M0-E0900A



Ref. No.	L.O.N.	(Relative ref. Number) Description	F.R.T.
+10	1111P4A	.Replace intake and exhaust all add	0.1
13	1111J7	ROTATOR, VALVE	0.2
		.INCLUDES: Valve clearance adjustment	

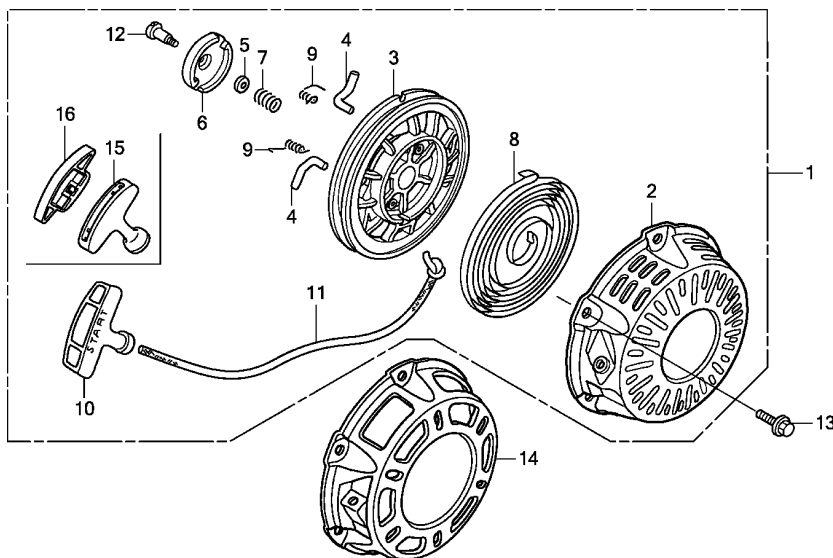
Ref. No.	Part No.	Description	Reqd. QTY				Serial No.	Parts catalogue code
			GX 160 UT1	GX 160 RT1	GX 160 UT2	GX 160 RT2		
(9)	14721-Z4M-000	VALVE, EX.	-	-	1	1	-----	EMAN, HH26, HHQ4, HX2, HX4, HXE8, LHN4, LHQ4, LX2, LX4, LXM2, QA2, QAX2, QAX4, QBC2, QBM2, QGR9, QH26, QHG4, QHQ4, QMC6, QMC8, QMD6, QME4, QMP4, QMX2, QPU, QWA4, QWX2, QX2, QX4, QX9, QXE2, QXE5, QXE8, QXM2, QXS2, QXU, QXWE, RH2, RHG4, RHQ4, RX4, RXE2, RXU, S1CY, SD16, SHQ4, SHRY, SMC7, SMC9, SMW2, SSSX2, SWG4, SWX2, SX4, SX9, SXE5, SXS4, SXU, VA2, VES6, VGE4, VGE5, VHH4, VPM5, VS19, VSD9, VWS, VWWN, VX2, VXE9, VXU1, WKS, WKT2, WMBO, PXU, TX2, TX4, TXDU, UXU
	14721-Z4M-810	VALVE, EX. (STELLITE)	-	-	1	-	-----	
10	14751-ZF1-000	SPRING, VALVE	2	2	2	2	-----	EMAN, HH26, HHQ4, HX2, HX4, HXE8, HXU, LHN4, LHQ4, LX2, LX26, LX4, LXM2, LXU, PXU, QA2, QA26, QAX2, QAX4, QBC2, QBM2, QBT6, QCB2, QCL, QGR9, QH26, QHQ4, QHQU, QKA4, QMC6, QMC8, QMD6, QME4, QMP4, QMX2, QMZ2, QNT, QNT4, QPU, QW24, QWA4, QWW2, QWX2, QX2, QX26, QX4, QX7, QX9, QXC4, QXC9, QXE2, QXE4, QXE5, QXE8, QXF2, QXM2, QXP2, QXS2, QXU, QXW, QXWE, RH2, RHQ4, RTB2, RX4, RXE2, RXP2, RXU, S1CY, SD16, SG22, SG24, SHQ4, SHQU, SHRY, SMC7, SMC9, SMW2, SSSX2, SWG4, SWX2, SX2, SX4, SX7, SX9, SXE4, SXE5, SXS, SXS2, SXS4, SXU, TCS2, TW24, TX2, TX26, TX4, TXC9, TXDU, TXU, UXU, VA2, VES6, VG24, VG29, VGE2, VGE4, VGE5, VHA9, VHH4, VMS4, VPM4, VPM5, VPM8, VPM9, VPMN, VPR4, VPR9, VS17, VS19, VSD, VSD1, VSD2, VSD7, VSD9, VMA2, VWS, VWW2, VWWN, VX2, VX4, VXE9, VXU1, VXW2, WKS, WKT2, WKT4, WKT6, WMBO, QHG4, RHG4
	14751-ZH8-940	2	2	-	2	-----	
11	14771-ZE1-000	RETAINER, IN. VALVE SPRING ..	1	1	1	1	-----	HH26, HHQ4, HX2, HX4, HXE8, HXU, QAX2, QAX4, QHQU, QKA4, QNT4, QXC4, QXC9, QXE4, QXE5, QXE8, QXP2, QXW, QXWE, RH2, RHG4, RHQ4, RTB2, RX4, RXE2, RXP2, RXU, SG22, SHQU, SSSX2, SWG4, SX2, SXE4, SXE5, SXS, SXS2, TXC9, UXU, VG29, VGE2, VSD2, WMBO
12	14773-Z4X-000	RETAINER, EX. VALVE SPRING ..	1	1	-	-	-----	



Z4M0-E0900A

Ref. No.	Part No.	Description	Reqd. QTY				Serial No.	Parts catalogue code
			GX 160 UT1	GX 160 RT1	GX 160 UT2	GX 160 RT2		
12)	14773-ZE1-000	RETAINER, EX. VALVE SPRING ..	1	-	-	-	LHQ4, LX2, LX26, LX4, LXU, PXU, QA2, QA26, QBC2, QBM2, QBT6, QCB2, QCL, QGR9, QH26, QHG4, QHQ4, QMC6, QMC8, QMD6, QME4, QMP4, QMZ2, QNT, QPU, QW24, QWA4, QWW2, QWX2, QX2, QX26, QX4, QX7, QX9, QXE2, QXF2, QXS2, QXU, SD16, SG24, SHQ4, SMC7, SMC9, SWX2, SX4, SX7, SX9, SXS4, SXU, TCS2, TW24, TX2, TX26, TX4, TXDU, TXU, VA2, VG24, VGE4, VGE5, VHA9, VHH4, VMS4, VPM4, VPM5, VPM8, VPM9, VPMN, VPR4, VPR9, VS17, VS19, VSD, VSD1, VSD7, VSD9, VWA2, VWW2, VWWN, VX2, VX4, VXE9, VXU1, VXW2, WKS, WKT2, WKT4, WKT6	
	14771-ZE1-000	RETAINER, IN. VALVE SPRING .. (EXHAUST SIDE)	-	-	1	1		
13	14781-ZE1-000	ROTATOR, VALVE	1	1	-	-		
14	14791-ZE1-010	PLATE, PUSH ROD GUIDE	1	1	-	-		
	14791-Z4M-000	-	-	1	1		
15	90012-ZE0-010	BOLT, PIVOT, 8MM	2	2	2	2		
16	90206-ZE1-000	NUT, PIVOT ADJUSTING	2	2	2	2		
17	90413-ZOT-880	WASHER, THRUST, 14.1MM	1	-	-	-	QX9, SX9, SXS, VHA9, VPM8, VPM9, VPR9, VS19, VSD9, VXE9	





Ref. No.	L.O.N.	(Relative ref. Number) Description	F.R.T.
1	1121B9	STARTER, RECOIL	0.1
3	1121B1	REEL, RECOIL STARTER	0.3
4	1121B0	RATCHET, STARTER AND/OR SPRING, RATCHET	0.2
.NOTE: Same time for two units (7)			
6	1121A4	GUIDE, RATCHET	0.2
8	1121B7	SPRING, RECOIL STARTER RETURN	0.3
11	1121B3	ROPE, RECOIL STARTER	0.3

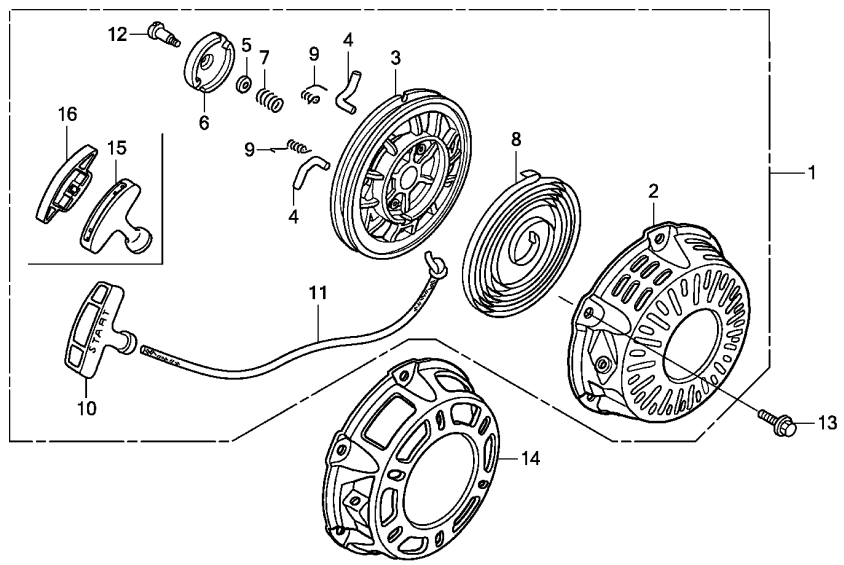


Z4M0E1100B

Ref. No.	Part No.	Description	Reqd. QTY				Serial No.	Parts catalogue code
			GX 160	GX 160	GX 160	GX 160		
1	28400-ZH8-023YA	STARTER ASSY., RECOIL *R280*.....POWER RED	1	1	-	-	2566537	HH26, HHQ4, HX2, HX4, HXE8, HXU, LHQ4, LX2, LX26, LX4, LXU, PXU, QA2, QA26, QAX2, QBC2, QBM2, QBT6, QCL, QGR9, QH26, QHG4, QHQ4, QKA4, QMC6, QMC8, QMD6, QME4, QMP4, QMZ2, QNT, QNT4, QPU, QWA4, QWX2, QX2, QX26, QX4, QX7, QX9, QXC9, QXE2, QXE4, QXE5, QXE8, QXF2, QXS2, QXU, QXW, QXWE, RH2, RHG4, RHQ4, RTB2, RX4, RXE2, RXU, SD16, SG24, SHQ4, SMC7, SMC9, SX4, SX7, SX9, SXE4, SXE5, SXS4, SXU, TCS2, TX2, TX26, TX4, TXC9, TXDU, TXU, UXU, VA2, VG24, VGE4, VHA9, VHH4, VMS4, VPM4, VPM5, VPM8, VPM9, VPMN, VPR4, VPR9, VS17, VS19, VSD, VSD1, VSD7, VSD9, VWA2, VX2, VX4, VXE9, VXU1, VXW2, WKS, WKT2, WKT4, WKT6, WMBO
	28400-ZH8-033YA	*R280*.....POWER RED	1	1	-	-	2566538	HH26, HHQ4, HX2, HX4, HXE8, HXU, LHQ4, LX2, LX26, LX4, LXU, PXU, QA2, QA26, QAX2, QBC2, QBM2, QBT6, QCL, QGR9, QH26, QHG4, QHQ4, QKA4, QMC6, QMC8, QMD6, QME4, QMP4, QMZ2, QNT, QNT4, QPU, QWA4, QWX2, QX2, QX26, QX4, QX7, QX9, QXC9, QXE2, QXE4, QXE5, QXE8, QXF2, QXS2, QXU, QXW, QXWE, RH2, RHG4, RHQ4, RTB2, RX4, RXE2, RXU, SD16, SG24, SHQ4, SMC7, SMC9, SX4, SX7, SX9, SXE4, SXE5, SXS4, SXU, TCS2, TX2, TX26, TX4, TXC9, TXDU, TXU, UXU, VA2, VG24, VGE4, VHH4, VMS4, VPM4, VPM5, VPM8, VPM9, VPMN, VPR4, VPR9, VS17, VS19, VSD, VSD1, VSD7, VSD9, VWA2, VX2, VX4, VXE9, VXU1, VXW2, WKS, WKT2, WKT4, WKT6, WMBO
	28400-ZH8-033ZB	*NH1*.....BLACK	1	-	-	-	-	QAX4, QHQ4, QXC4, QXP2, RXP2, SHQU, SX2, SXS, SXS2, VSD2
	28400-ZH8-023ZG	*NH105*...MAT BLACK (#15-#20)	1	-	-	-	2448020	QXC4, SG22, VGE2
	28400-ZH8-023ZB	*NH1*.....BLACK	1	-	-	-	2521239	QWW2, QWX2, SWX2, TW24, VWA2, VWW2, VWWN
								HX2, LX2, PXU, QA2, QA26, QBC2, QBM2, QBT6, QCB2, QCL, QGR9, QH26, QHQ4, QMC6, QMC8, QMD6, QME4, QMZ2, QNT, QPU, QW24, QWA4, QWW2, QWX2, QX2, QX26, QX4, QX7, QX9, QXC9, QXE2, QXF2, QXS2, QXU, RH2, SD16, SG24, SHQ4, SMC7, SMC9, SSS2, SX4, SX7, SX9, SXS4, SXU, TCS2, TW24, TX2, TX26, TX4, TXU, VA2, VG24, VGE4, VHH4, VMS4, VPM4, VPR4, VPR9, VSD, VSD1, VSD7, VSD9, VWA2, VX2, VX4, VXU1, VXW2, WKS, WKT6

Ref. No.	Part No.	Description	Reqd. QTY				Serial No.	Parts catalogue code
			GX 160 UT1	GX 160 RT1	GX 160 UT2	GX 160 RT2		
(1)	28400-ZH8-823ZC	STARTER ASSY., RECOIL (LONG ROPE)						
		NH1.....BLACK	1	-	-	-	2581976	VG29
	28400-ZH8-033ZG	STARTER ASSY., RECOIL						
		NH105...MAT BLACK (#15-#20)	1	-	-	-	2448021	----- QWW2,QWX2,SWX2,TW24,VWA2,VWW2,VWWN
	28400-ZH8-033ZB	*NH1*.....BLACK	1	-	-	-	2521240	----- HX2,LX2,PXU,QA2,QA26,QBC2,QBM2,QBT6,QCB2,QCL,QGR9,QH26,QHQ4,QMC6,QMC8,QMD6,QME4,QMZ2,QNT,QPU,QW24,QWA4,QWW2,QWX2,QX2,QX26,QX4,QX7,QX9,QXC9,QXE2,QXF2,QXS2,QXU,RH2,SD16,SG24,SHQ4,SMC7,SMC9,SSX2,SX4,SX7,SX9,SXS4,SXU,TCS2,TW24,TX2,TX26,TX4,TXU,VA2,VG24,VGE4,VHH4,VMS4,VPM4,VPR4,VPR9,VSD,VSD1,VSD7,VSD9,VWA2,VX2,VX4,VXU1,VXW2,WKS,WKT6
	28400-ZH8-824ZC	STARTER ASSY., RECOIL (LONG ROPE)						
		NH1.....BLACK	1	-	-	-	2581977	----- VG29
	28400-Z4M-003ZC	STARTER ASSY., RECOIL						
		NH1.....BLACK	-	-	1	1	-----	EMAN,HX2,LX2,PXU,QA2,QBC2,QBM2,QGR9,QH26,QHQ4,QMC6,QMC8,QMD6,QME4,QMX2,QPU,QWA4,QWX2,QX2,QX4,QX9,QXE2,QXS2,QXU,RH2,SD16,SHQ4,SMC7,SMC9,SSX2,SWX2,SX4,SX9,SXS4,SXU,TX2,TX4,VA2,VES6,VGE4,VHH4,VWWN,VX2,VXU1,WKS,WKT2
	28400-Z4M-003ZA	*R280*.....POWER RED	-	-	1	1	-----	HH26,HHQ4,HX2,HX4,HXE8,LHN4,LHQ4,LX2,LX4,LXM2,PXU,QA2,QAX2,QAX4,QBC2,QBM2,QGR9,QH26,QHG4,QHQ4,QMC6,QMC8,QMD6,QME4,QMP4,QPU,QWA4,QWX2,QX2,QX4,QX9,QXE2,QXE5,QXE8,QXM2,QXS2,QXU,QXWE,RH2,RHG4,RHQ4,RX4,RXE2,RXU,S1CY,SD16,SHQ4,SHRY,SMC7,SMC9,SMW2,SX4,SX9,SXE5,SXS4,SXU,TX2,TX4,TXDU,UXU,VA2,VGE4,VHH4,VPM5,VS19,VSD9,VX2,VXE9,VXU1,WKS,WKT2,WMB0
2	28410-ZH8-003YA	CASE COMP., RECOIL STARTER						
		R280.....POWER RED	1	1	-	-	-----	HH26,HHQ4,HX2,HX4,HXE8,HXU,LHQ4,LX2,LX26,LX4,LXU,PXU,QA2,QA26,QAX2,QAX4,QBC2,QBM2,QBT6,QCL,QGR9,QH26,QHG4,QHQ4,QHQU,QKA4,QMC6,QMC8,QMD6,QME4,QMP4,QMZ2,QNT,QNT4,QPU,QWA4,QWX2,QX2,QX26,QX4,QX7,QX9,QXC4,QXC9,QXE2,QXE4,QXE5,QXE8,QXF2,QXP2,QXS2,QXU,QXW,QXWE,RH2,RHG4,RHQ4,RTB2,RX4,RXE2,RXP2,RXU,SD16,SG24,SHQ4,SHQU,SMC7,SMC9,SX2,SX4,SX7,SX9,SXE4,SXE5,SXS,SXS2,SXS4,SXU,TCS2,TX2,TX26,TX4,TXC9,TXDU,TXU,UXU,VA2,VG24,VGE4,VHA9,VHH4,VMS4,VPM4,VPM5,VPM8,VPM9,VPMN,VPR4,VPR9,VS17,VS19,VSD,VSD1,VSD2,VSD7,VSD9,VWA2,VX2,VX4,VXE9,VXU1,VXW2,WKS,WKT2,WKT4,WKT6
	28410-ZH8-003ZB	*NH1*.....BLACK	1	-	-	-	-----	HX2,LX2,PXU,QA2,QA26,QBC2,QBM2,QBT6,QCB2,QCL,QGR9,QH26,QHQ4,QMC6,QMC8,QMD6,QME4,QMZ2,QNT,QPU,QW24,QWA4,QWW2,QWX2,QX2,QX26,QX4,QX7,QX9,QXC4,QXC9,QXE2,QXF2,QXS2,QXU,RH2,SD16,SG22,SG24,SHQ4,SMC7,SMC9,SSX2,SX4,SX7,SX9,SXS4,SXU,TCS2,TW24,TX2,TX26,TX4,TXU,VA2,VG24,VG29,VGE2,VGE4,VHH4,VMS4,VPM4,VPR4,VPR9,VSD,VSD1,VSD7,VSD9,VWA2,VX2,VX4,VXU1,VXW2,WKS,WKT6
	28410-ZH8-003ZG	*NH105*...MAT BLACK (#15-#20)	1	-	-	-	-----	QWW2,QWX2,SWX2,TW24,VWA2,VWW2,VWWN
	28410-Z4M-003ZD	*NH1*.....BLACK	-	-	1	1	-----	EMAN,HX2,LX2,PXU,QA2,QBC2,QBM2,QGR9,QH26,QHQ4,QMC6,QMC8,QMD6,QME4,QMX2,QPU,QWA4,QWX2,QX2,QX4,QX9,QXE2,QXS2,QXU,RH2,SD16,SHQ4,SMC7,SMC9,SSX2,SWX2,SX4,SX9,SXS4,SXU,TX2,TX4,VA2,VES6,VGE4,VHH4,VWWN,VX2,VXU1,WKS,WKT2
	28410-Z4M-003ZB	*R280*.....POWER RED	-	-	1	1	-----	HH26,HHQ4,HX2,HX4,HXE8,LHN4,LHQ4,LX2,LX4,LXM2,PXU,QA2,QAX2,QAX4,QBC2,QBM2,QGR9,QH26,QHG4,QHQ4,QMC6,QMC8,QMD6,QME4,QMP4,QPU,QWA4,QWX2,QX2,QX4,QX9,QXE2,QXE5,QXE8,QXM2,QXS2,QXU,QXWE,RH2,RHG4,RHQ4,RX4,RXE2,RXU,S1CY,SD16,SHQ4,SHRY,SMC7,SMC9,SMW2,SX4,SX9,SXE5,SXS4,SXU,TX2,TX4,TXDU,UXU,VA2,VGE4,VHH4,VPM5,VS19,VSD9,VX2,VXE9,VXU1,WKS,WKT2,WMB0



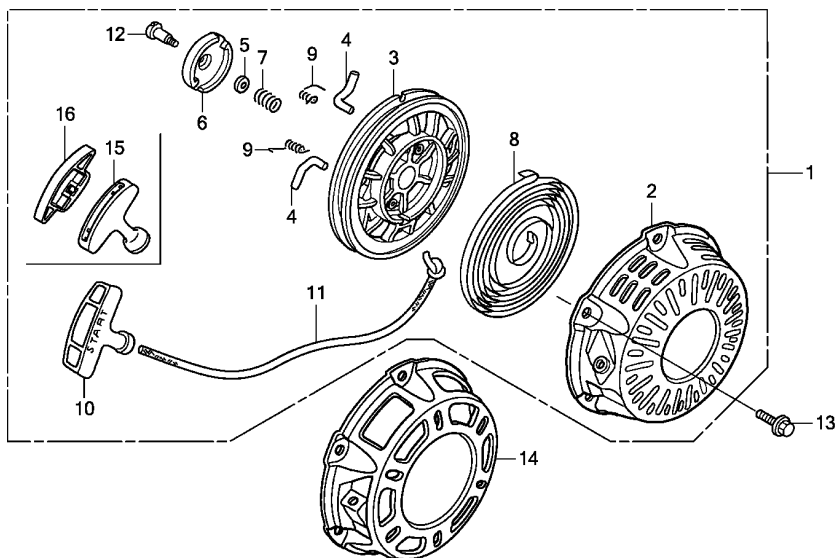


FR. Z4M0E1100B

Ref. No.	Part No.	Description	Reqd. QTY				Serial No.	Parts catalogue code
			GX 160 UT1	GX 160 RT1	GX 160 UT2	GX 160 RT2		
3	28421-ZH8-801	REEL, RECOIL STARTER(BLACK)	1	1	-	-	-----	HH26, HHQ4, HX2, HX4, HXE8, HXU, LHQ4, LX2, LX26, LX4, LXU, PXU, QA2, QA26, QAX2, QAX4, QBC2, QBM2, QBT6, QCB2, QCL, QGR9, QH26, QHG4, QHQ4, QHQ4, QKA4, QMC6, QMC8, QMD6, QME4, QMP4, QMZ2, QNT, QNT4, QPU, QW24, QWA4, QWW2, QWX2, QX2, QX26, QX4, QX7, QX9, QXC4, QXC9, QXE2, QXE4, QXE5, QXE8, QXF2, QXP2, QXS2, QXU, QXW, QXWE, RH2, RHG4, RHQ4, RTB2, RX4, RXE2, RXP2, RXU, SD16, SG22, SG24, SHQ4, SHQU, SMC7, SMC9, SSX2, SWX2, SX2, SX4, SX7, SX9, SXE4, SXE5, SXS, SXS2, SXS4, SXU, TCS2, TW24, TX2, TX26, TX4, TXC9, TXDU, TXU, UXU, VA2, VG24, VG29, VGE2, VGE4, VHA9, VHH4, VMS4, VPM4, VPM5, VPM8, VPM9, VPMN, VPR4, VPR9, VS17, VS19, VSD, VSD1, VSD2, VSD7, VSD9, VWA2, VWW2, VWWN, VX2, VX4, VXE9, VXU1, VXW2, WKS, WKT2, WKT4, WKT6, WMBO
	28421-Z0T-003	REEL, RECOIL STARTER	-	-	1	1	-----	EMAN, HH26, HHQ4, HX2, HX4, HXE8, HXU, LHN4, LHQ4, LX2, LX4, LXM2, PXU, QA2, QAX2, QAX4, QBC2, QBM2, QGR9, QH26, QHG4, QHQ4, QMC6, QMC8, QMD6, QME4, QMP4, QMX2, QPU, QWA4, QWX2, QX2, QX4, QX9, QXE2, QXE5, QXE8, QXM2, QXS2, QXU, QXWE, RH2, RHG4, RHQ4, RX4, RXE2, RXU, S1CY, SD16, SHQ4, SHRY, SMC7, SMC9, SMW2, SSX2, SWX2, SX4, SX9, SXE5, SXS4, SXU, TX2, TX4, TXDU, UXU, VA2, VES6, VGE4, VHH4, VPM5, VS19, VSD9, VWWN, VX2, VXE9, VXU1, WKS, WKT2, WMBO
4	28422-ZH8-801	RATCHET, STARTER	2	2	2	2	-----	EMAN, HH26, HHQ4, HX2, HX4, HXE8, HXU, LHN4, LHQ4, LX2, LX26, LX4, LXM2, LXU, PXU, QA2, QA26, QAX2, QAX4, QBC2, QBM2, QBT6, QCB2, QCL, QGR9, QH26, QHG4, QHQ4, QHQ4, QKA4, QMC6, QMC8, QMD6, QME4, QMP4, QMX2, QMZ2, QNT, QNT4, QPU, QW24, QWA4, QWW2, QWX2, QX2, QX26, QX4, QX7, QX9, QXC4, QXC9, QXE2, QXE4, QXE5, QXE8, QXF2, QXM2, QXP2, QXS2, QXU, QXW, QXWE, RH2, RHG4, RHQ4, RTB2, RX4, RXE2, RXP2, RXU, S1CY, SD16, SG22, SG24, SHQ4, SHQU, SHRY, SMC7, SMC9, SMW2, SSX2, SWX2, SX2, SX4, SX7, SX9, SXE4, SXE5, SXS, SXS2, SXS4, SXU, TCS2, TW24, TX2, TX26, TX4, TXC9, TXDU, TXU, UXU, VA2, VES6, VG24, VG29, VGE2, VGE4, VHA9, VHH4, VMS4, VPM4, VPM5, VPM8, VPM9, VPMN, VPR4, VPR9, VS17, VS19, VSD, VSD1, VSD2, VSD7, VSD9, VWA2, VWW2, VWWN, VX2, VX4, VXE9, VXU1, VXW2, WKS, WKT2, WKT4, WKT6, WMBO

Ref. No.	Part No.	Description	Reqd. QTY				Serial No.	Parts catalogue code
			GX 160 UT1	GX 160 RT1	GX 160 UT2	GX 160 RT2		
5	28431-ZH8-801	PLATE, FRICTION	1	1	1	1	-----	EMAN, HH26, HHQ4, HX2, HX4, HXE8, HXU, LHN4, LHQ4, LX2, LX26, LX4, LXM2, LXU, PXU, QA2, QA26, QAX2, QAX4, QBC2, QBM2, QBT6, QCB2, QCL, QGR9, QH26, QHG4, QHQ4, QHQU, QKA4, QMC6, QMC8, QMD6, QME4, QMP4, QMX2, QMZ2, QNT, QNT4, QPU, QW24, QWA4, QWW2, QWX2, QX2, QX26, QX4, QX7, QX9, QXC4, QXC9, QXE2, QXE4, QXE5, QXE8, QXF2, QXM2, QXP2, QXS2, QXU, QXW, QXWE, RH2, RHG4, RHQ4, RTB2, RX4, RXE2, RXP2, RXU, S1CY, SD16, SG22, SG24, SHQ4, SHQU, SHRY, SMC7, SMC9, SMW2, SSX2, SWX2, SX2, SX4, SX7, SX9, SXE4, SXE5, SXS, SXS2, SXS4, SXU, TCS2, TW24, TX2, TX26, TX4, TXC9, TXDU, TXU, UXU, VA2, VES6, VG24, VG29, VGE2, VGE4, VHA9, VHH4, VMS4, VPM4, VPM5, VPM8, VPM9, VPMN, VPR4, VPR9, VS17, VS19, VSD, VSD1, VSD2, VSD7, VSD9, VWA2, VWW2, VWWN, VX2, VX4, VXE9, VXU1, VXW2, WKS, WKT2, WKT4, WKT6, WMBO
6	28433-ZH8-801	GUIDE, RATCHET	1	1	1	1	-----	EMAN, HH26, HHQ4, HX2, HX4, HXE8, HXU, LHN4, LHQ4, LX2, LX26, LX4, LXM2, LXU, PXU, QA2, QA26, QAX2, QAX4, QBC2, QBM2, QBT6, QCB2, QCL, QGR9, QH26, QHG4, QHQ4, QHQU, QKA4, QMC6, QMC8, QMD6, QME4, QMP4, QMX2, QMZ2, QNT, QNT4, QPU, QW24, QWA4, QWW2, QWX2, QX2, QX26, QX4, QX7, QX9, QXC4, QXC9, QXE2, QXE4, QXE5, QXE8, QXF2, QXM2, QXP2, QXS2, QXU, QXW, QXWE, RH2, RHG4, RHQ4, RTB2, RX4, RXE2, RXP2, RXU, S1CY, SD16, SG22, SG24, SHQ4, SHQU, SHRY, SMC7, SMC9, SMW2, SSX2, SWX2, SX2, SX4, SX7, SX9, SXE4, SXE5, SXS, SXS2, SXS4, SXU, TCS2, TW24, TX2, TX26, TX4, TXC9, TXDU, TXU, UXU, VA2, VES6, VG24, VG29, VGE2, VGE4, VHA9, VHH4, VMS4, VPM4, VPM5, VPM8, VPM9, VPMN, VPR4, VPR9, VS17, VS19, VSD, VSD1, VSD2, VSD7, VSD9, VWA2, VWW2, VWWN, VX2, VX4, VXE9, VXU1, VXW2, WKS, WKT2, WKT4, WKT6, WMBO
7	28441-ZH8-801	SPRING, FRICTION	1	1	1	1	-----	EMAN, HH26, HHQ4, HX2, HX4, HXE8, HXU, LHN4, LHQ4, LX2, LX26, LX4, LXM2, LXU, PXU, QA2, QA26, QAX2, QAX4, QBC2, QBM2, QBT6, QCB2, QCL, QGR9, QH26, QHG4, QHQ4, QHQU, QKA4, QMC6, QMC8, QMD6, QME4, QMP4, QMX2, QMZ2, QNT, QNT4, QPU, QW24, QWA4, QWW2, QWX2, QX2, QX26, QX4, QX7, QX9, QXC4, QXC9, QXE2, QXE4, QXE5, QXE8, QXF2, QXM2, QXP2, QXS2, QXU, QXW, QXWE, RH2, RHG4, RHQ4, RTB2, RX4, RXE2, RXP2, RXU, S1CY, SD16, SG22, SG24, SHQ4, SHQU, SHRY, SMC7, SMC9, SMW2, SSX2, SWX2, SX2, SX4, SX7, SX9, SXE4, SXE5, SXS, SXS2, SXS4, SXU, TCS2, TW24, TX2, TX26, TX4, TXC9, TXDU, TXU, UXU, VA2, VES6, VG24, VG29, VGE2, VGE4, VHA9, VHH4, VMS4, VPM4, VPM5, VPM8, VPM9, VPMN, VPR4, VPR9, VS17, VS19, VSD, VSD1, VSD2, VSD7, VSD9, VWA2, VWW2, VWWN, VX2, VX4, VXE9, VXU1, VXW2, WKS, WKT2, WKT4, WKT6, WMBO
8	28442-ZH8-003	SPRING, RECOIL STARTER	1	1	1	1	-----	EMAN, HH26, HHQ4, HX2, HX4, HXE8, HXU, LHN4, LHQ4, LX2, LX26, LX4, LXM2, LXU, PXU, QA2, QA26, QAX2, QAX4, QBC2, QBM2, QBT6, QCB2, QCL, QGR9, QH26, QHG4, QHQ4, QHQU, QKA4, QMC6, QMC8, QMD6, QME4, QMP4, QMX2, QMZ2, QNT, QNT4, QPU, QW24, QWA4, QWW2, QWX2, QX2, QX26, QX4, QX7, QX9, QXC4, QXC9, QXE2, QXE4, QXE5, QXE8, QXF2, QXM2, QXP2, QXS2, QXU, QXW, QXWE, RH2, RHG4, RHQ4, RTB2, RX4, RXE2, RXP2, RXU, S1CY, SD16, SG22, SG24, SHQ4, SHQU, SHRY, SMC7, SMC9, SMW2, SSX2, SWX2, SX2, SX4, SX7, SX9, SXE4, SXE5, SXS, SXS2, SXS4, SXU, TCS2, TW24, TX2, TX26, TX4, TXC9, TXDU, TXU, UXU, VA2, VES6, VG24, VG29, VGE2, VGE4, VHA9, VHH4, VMS4, VPM4, VPM5, VPM8, VPM9, VPMN, VPR4, VPR9, VS17, VS19, VSD, VSD1, VSD2, VSD7, VSD9, VWA2, VWW2, VWWN, VX2, VX4, VXE9, VXU1, VXW2, WKS, WKT2, WKT4, WKT6, WMBO
9	28443-ZH8-801	SPRING, RETURN	2	2	2	2	-----	EMAN, HH26, HHQ4, HX2, HX4, HXE8, HXU, LHN4, LHQ4, LX2, LX26, LX4, LXM2, LXU, PXU, QA2, QA26, QAX2, QAX4, QBC2, QBM2, QBT6, QCB2, QCL, QGR9, QH26, QHG4, QHQ4, QHQU, QKA4, QMC6, QMC8, QMD6, QME4, QMP4, QMX2, QMZ2, QNT, QNT4, QPU, QW24, QWA4, QWW2, QWX2, QX2, QX26, QX4, QX7, QX9, QXC4, QXC9, QXE2, QXE4, QXE5, QXE8, QXF2, QXM2, QXP2, QXS2, QXU, QXW, QXWE, RH2, RHG4, RHQ4, RTB2, RX4, RXE2, RXP2, RXU, S1CY, SD16, SG22, SG24, SHQ4, SHQU, SHRY, SMC7, SMC9, SMW2, SSX2, SWX2, SX2, SX4, SX7, SX9, SXE4, SXE5, SXS, SXS2, SXS4, SXU, TCS2, TW24, TX2, TX26, TX4, TXC9, TXDU, TXU, UXU, VA2, VES6, VG24, VG29, VGE2, VGE4, VHA9, VHH4, VMS4, VPM4, VPM5, VPM8, VPM9, VPMN, VPR4, VPR9, VS17, VS19, VSD, VSD1, VSD2, VSD7, VSD9, VWA2, VWW2, VWWN, VX2, VX4, VXE9, VXU1, VXW2, WKS, WKT2, WKT4, WKT6, WMBO





Z4M0E1100B

Ref. No.	Part No.	Description	Reqd. QTY				Serial No.	Parts catalogue code
			GX 160 UT1	GX 160 RT1	GX 160 UT2	GX 160 RT2		
10	28461-ZH8-003	GRIP, STARTER	1	1	-	-	2448020	HH26, HHQ4, HX2, HX4, HXE8, HXU, LHQ4, LX2, LX26, LX4, LXU, PXU, QA2, QA26, QAX2, QBC2, QBM2, QBT6, QCB2, QCL, QGR9, QH26, QHG4, QHQ4, QKA4, QMC6, QMC8, QMD6, QME4, QMP4, QMZ2, QNT, QNT4, QPU, QW24, QWA4, QWW2, QWX2, QX2, QX26, QX4, QX7, QX9, QXC9, QXE2, QXE4, QXE5, QXE8, QXF2, QXS2, QXU, QXW, QXWE, RH2, RHG4, RHQ4, RTB2, RX4, RXE2, RXU, SD16, SG24, SHQ4, SMC7, SMC9, SSX2, SWX2, SX4, SX7, SX9, SXE4, SXE5, SXS4, SXU, TCS2, TW24, TX2, TX26, TX4, TXC9, TXDU, TXU, UXU, VA2, VG24, VG29, VGE4, VHA9, VHH4, VMS4, VPM4, VPM5, VPM8, VPM9, VPMN, VPR4, VPR9, VS17, VS19, VSD, VSD1, VSD7, VSD9, VWA2, VWW2, VWWN, VX2, VX4, VXE9, VXU1, VXW2, WKS, WKT2, WKT4, WKT6, WMBO
	28461-ZH8-013	1	1	-	-	2448021	HH26, HHQ4, HX2, HX4, HXE8, HXU, LHQ4, LX2, LX26, LX4, LXU, PXU, QA2, QA26, QAX2, QBC2, QBM2, QBT6, QCB2, QCL, QGR9, QH26, QHG4, QHQ4, QKA4, QMC6, QMC8, QMD6, QME4, QMP4, QMZ2, QNT, QNT4, QPU, QW24, QWA4, QWW2, QWX2, QX2, QX26, QX4, QX7, QX9, QXC9, QXE2, QXE4, QXE5, QXE8, QXF2, QXS2, QXU, QXW, QXWE, RH2, RHG4, RHQ4, RTB2, RX4, RXE2, RXU, SD16, SG24, SHQ4, SMC7, SMC9, SSX2, SWX2, SX4, SX7, SX9, SXE4, SXE5, SXS4, SXU, TCS2, TW24, TX2, TX26, TX4, TXC9, TXDU, TXU, UXU, VA2, VG24, VG29, VGE4, VHA9, VHH4, VMS4, VPM4, VPM5, VPM8, VPM9, VPMN, VPR4, VPR9, VS17, VS19, VSD, VSD1, VSD7, VSD9, VWA2, VWW2, VWWN, VX2, VX4, VXE9, VXU1, VXW2, WKS, WKT2, WKT4, WKT6, WMBO
			1	-	-	-		QAX4, QHQU, QXC4, QXP2, RXP2, SG22, SHQU, SX2, SXS, SXS2, VGE2, VSD2

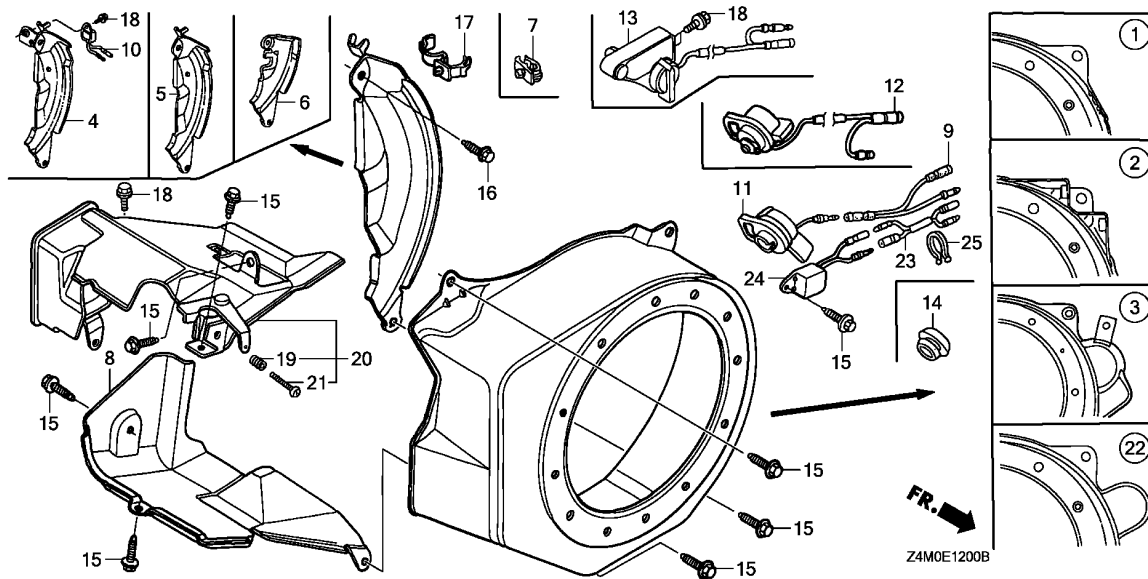
Ref. No.	Part No.	Description	Reqd. QTY				Serial No.	Parts catalogue code
			GX 160 UT1	GX 160 RT1	GX 160 UT2	GX 160 RT2		
11	28462-ZH8-003	ROPE, RECOIL STARTER	1	1	1	1	EMAN, HH26, HHQ4, HX2, HX4, HXE8, HXU, LHN4, LHQ4, LX2, LX26, LX4, LXM2, LXU, PXU, QA2, QA26, QAX2, QAX4, QBC2, QBM2, QBT6, QCB2, QCL, QGR9, QH26, QHG4, QHQ4, QHQU, QKA4, QMC6, QMC8, QMD6, QME4, QMP4, QMX2, QMZ2, QNT, QNT4, QPU, QW24, QWA4, QWW2, QWX2, QX2, QX26, QX4, QX7, QX9, QXC4, QXC9, QXE2, QXE4, QXE5, QXE8, QXF2, QXM2, QXP2, QXS2, QXU, QXW, QXWE, RH2, RHG4, RHQ4, RTB2, RX4, RXE2, RXP2, RXU, S1CY, SD16, SG22, SG24, SHQ4, SHQU, SHRY, SMC7, SMC9, SMW2, SSSX2, SWX2, SX2, SX4, SX7, SX9, SXE4, SXE5, SXS, SXS2, SXS4, SXU, TCS2, TW24, TX2, TX26, TX4, TXC9, TXDU, TXU, UXU, VA2, VES6, VG24, VGE2, VGE4, VHA9, VHH4, VMS4, VPM4, VPM5, VPM8, VPM9, VPMN, VPR4, VPR9, VS17, VS19, VSD, VSD1, VSD2, VSD7, VSD9, VWA2, VWW2, VWWN, VX2, VX4, VXE9, VXU1, VXW2, WKS, WKT2, WKT4, WKT6, WMBO, VG29	
12	28462-ZH8-821 90003-ZH8-801	ROPE, RECOIL STARTER(LONG) -- SCREW, SETTING	1	-	-	-	EMAN, HH26, HHQ4, HX2, HX4, HXE8, HXU, LHN4, LHQ4, LX2, LX26, LX4, LXM2, LXU, PXU, QA2, QA26, QAX2, QAX4, QBC2, QBM2, QBT6, QCB2, QCL, QGR9, QH26, QHG4, QHQ4, QHQU, QKA4, QMC6, QMC8, QMD6, QME4, QMP4, QMX2, QMZ2, QNT, QNT4, QPU, QW24, QWA4, QWW2, QWX2, QX2, QX26, QX4, QX7, QX9, QXC4, QXC9, QXE2, QXE4, QXE5, QXE8, QXF2, QXM2, QXP2, QXS2, QXU, QXW, QXWE, RH2, RHG4, RHQ4, RTB2, RX4, RXE2, RXP2, RXU, S1CY, SD16, SG22, SG24, SHQ4, SHQU, SHRY, SMC7, SMC9, SMW2, SSSX2, SWX2, SX2, SX4, SX7, SX9, SXE4, SXE5, SXS, SXS2, SXS4, SXU, TCS2, TW24, TX2, TX26, TX4, TXC9, TXDU, TXU, UXU, VA2, VES6, VG24, VG29, VGE2, VGE4, VHA9, VHH4, VMS4, VPM4, VPM5, VPM8, VPM9, VPMN, VPR4, VPR9, VS17, VS19, VSD, VSD1, VSD2, VSD7, VSD9, VWA2, VWW2, VWWN, VX2, VX4, VXE9, VXU1, VXW2, WKS, WKT2, WKT4, WKT6, WMBO	
13	90008-ZE2-003	BOLT, FLANGE, 6X10	3	3	3	3	EMAN, HH26, HHQ4, HX2, HX4, HXE8, HXU, LHN4, LHQ4, LX2, LX26, LX4, LXM2, LXU, PXU, QA2, QA26, QAX2, QAX4, QBC2, QBM2, QBT6, QCB2, QCL, QGR9, QH26, QHG4, QHQ4, QHQU, QKA4, QMC6, QMC8, QMD6, QME4, QMP4, QMX2, QMZ2, QNT, QNT4, QPU, QW24, QWA4, QWW2, QWX2, QX2, QX26, QX4, QX7, QX9, QXC4, QXC9, QXE2, QXE4, QXE5, QXE8, QXF2, QXM2, QXP2, QXS2, QXU, QXW, QXWE, RH2, RHG4, RHQ4, RTB2, RX4, RXE2, RXP2, RXU, S1CY, SD16, SG22, SG24, SHQ4, SHQU, SHRY, SMC7, SMC9, SMW2, SSSX2, SWG4, SWX2, SX2, SX4, SX7, SX9, SXE4, SXE5, SXS, SXS2, SXS4, SXU, TCS2, TW24, TX2, TX26, TX4, TXC9, TXDU, TXU, UXU, VA2, VES6, VG24, VG29, VGE2, VGE4, VHA9, VHH4, VMS4, VPM4, VPM5, VPM8, VPM9, VPMN, VPR4, VPR9, VS17, VS19, VSD, VSD1, VSD2, VSD7, VSD9, VWA2, VWW2, VWWN, VX2, VX4, VXE9, VXU1, VXW2, WKS, WKT2, WKT4, WKT6, WMBO	
14	28414-ZK8-V71	CASE B, STARTER	-	1	-	1	SWG4	
15	28461-Z4M-003	KNOB, RECOIL STARTER	-	-	1	1	EMAN, HH26, HHQ4, HX2, HX4, HXE8, LHN4, LHQ4, LX2, LX4, LXM2, PXU, QA2, QAX2, QAX4, QBC2, QBM2, QGR9, QH26, QHG4, QHQ4, QMC6, QMC8, QMD6, QME4, QMP4, QMX2, QPU, QWA4, QWX2, QX2, QX4, QX9, QXE2, QXE5, QXE8, QXM2, QXS2, QXU, QXWE, RH2, RHG4, RHQ4, RX4, RXE2, RXU, S1CY, SD16, SHQ4, SHRY, SMC7, SMC9, SMW2, SSSX2, SWX2, SX4, SX9, SXE5, SXS4, SXU, TX2, TX4, TXDU, UXU, VA2, VES6, VGE4, VHH4, VPM5, VS19, VSD9, VWWN, VX2, VXE9, VXU1, WKS, WKT2, WMBO	
16	28463-Z4M-003	KNOB, REINFORCEMENT	-	-	1	1	EMAN, HH26, HHQ4, HX2, HX4, HXE8, LHN4, LHQ4, LX2, LX4, LXM2, PXU, QA2, QAX2, QAX4, QBC2, QBM2, QGR9, QH26, QHG4, QHQ4, QMC6, QMC8, QMD6, QME4, QMP4, QMX2, QPU, QWA4, QWX2, QX2, QX4, QX9, QXE2, QXE5, QXE8, QXM2, QXS2, QXU, QXWE, RH2, RHG4, RHQ4, RX4, RXE2, RXU, S1CY, SD16, SHQ4, SHRY, SMC7, SMC9, SMW2, SSSX2, SWX2, SX4, SX9, SXE5, SXS4, SXU, TX2, TX4, TXDU, UXU, VA2, VES6, VGE4, VHH4, VPM5, VS19, VSD9, VWWN, VX2, VXE9, VXU1, WKS, WKT2, WMBO	



E-12

FAN COVER

F13

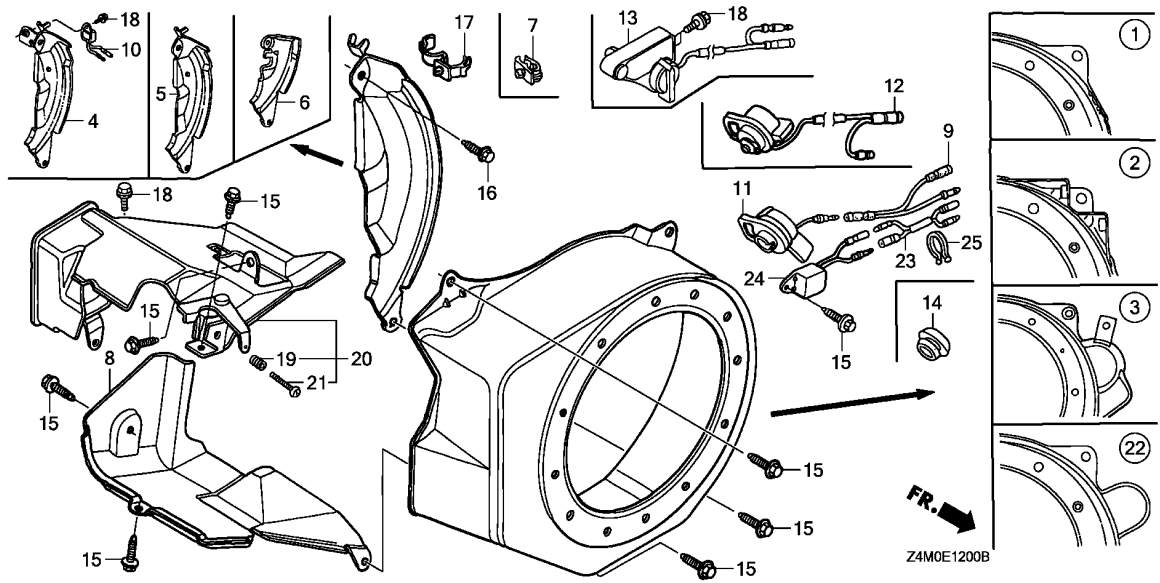


Ref. No.	L.O.N.	(Relative ref. Number) Description	F.R.T.
1		(2,3,22)	
1	1141G8	COVER, ENGINE COOLING FAN	0.2
4		(5,6)	
	1121A7	PLATE, SIDE	0.3
8	4141E3	SHROUD, ENGINE	0.2
9	6111E5	SUB HARNESS, OIL LEVEL SWITCH	0.2
10		(24)	
	6151A0	ALERT UNIT, ENGINE OIL	0.1
11		(12,13)	
	6151D9	SWITCH, ENGINE STOP	0.2

Ref. No.	Part No.	Description	Reqd. QTY				Serial No.	Parts catalogue code
			GX 160 UT1	GX 160 RT1	GX 160 UT2	GX 160 RT2		
1	19610-ZE1-010ZP	COVER COMP., FAN *R280*.....POWER RED	1	1	-	-	-----	HH26, HHQ4, HX2, HX4, HXU, QAX2, QAX4, QBM2, QHG4, QHQU, QNT4, QXC4, QXC9, RH2, RHG4, RHQ4, RTB2, RX4, RXU, SHQU, SX2, SXS, SXS2, TXC9, TXDU, UXU, VPMN, VSD2, WMB0
	19610-ZE1-010ZC	*NH1*.....BLACK	1	-	-	-	-----	HX2, QBM2, QXC4, QXC9, RH2, SG22, SSSX2, VG29, VGE2
	19610-ZE1-010ZG	*NH105*...MAT BLACK (#15-#20)	1	-	-	-	-----	VVWN
	19610-ZE1-000ZP	*R280*.....POWER RED	1	-	-	-	1699489	LHQ4, LX2, LX26, LX4, LXU, PXU, QA2, QA26, QBC2, QBT6, QCL, QGR9, QH26, QHQ4, QMC6, QMC8, QMD6, QME4, QMP4, QMZ2, QNT, QPU, QWA4, QWX2, QX2, QX26, QX4, QX7, QX9, QXF2, QXS2, QXU, SD16, SG24, SHQ4, SMC7, SMC9, SX4, SX7, SX9, SXS4, SXU, TCS2, TX2, TX26, TX4, TXU, VA2, VG24, VGE4, VGE5, VHA9, VHH4, VMS4, VPM4, VPM5, VPM8, VPM9, VPR4, VPR9, VSD, VSD7, VSD9, VWA2, VX2, VX4, VXU1, VXXW2, WKS, WKT2, WKT4, WKT6
	19610-ZE1-000ZC	*NH1*.....BLACK	1	-	-	-	1699489	LX2, PXU, QA2, QA26, QBC2, QBT6, QCB2, QCL, QGR9, QH26, QHQ4, QMC6, QMC8, QMD6, QME4, QMZ2, QNT, QPU, QW24, QWA4, QWW2, QWX2, QX2, QX26, QX4, QX7, QX9, QXF2, QXS2, QXU, SD16, SG24, SHQ4, SMC7, SMC9, SX4, SX7, SX9, SXS4, SXU, TCS2, TW24, TX2, TX26, TX4, TXU, VA2, VG24, VGE4, VHH4, VMS4, VPM4, VPR4, VPR9, VSD, VSD7, VSD9, VWA2, VX2, VX4, VXU1, VXW2, WKS, WKT6
	19610-ZE1-000ZG	*NH105*...MAT BLACK (#15-#20)	1	-	-	-	1699489	QWW2, QWX2, SWX2, TW24, VWA2, VWW2
	19610-ZE1-010ZP	*R280*.....POWER RED	1	-	-	-	1699490	LHQ4, LX2, LX26, LX4, LXU, PXU, QA2, QA26, QBC2, QBT6, QCL, QGR9, QH26, QHQ4, QMC6, QMC8, QMD6, QME4, QMP4, QMZ2, QNT, QPU, QWA4, QWX2, QX2, QX26, QX4, QX7, QX9, QXF2, QXS2, QXU, SD16, SG24, SHQ4, SMC7, SMC9, SX4, SX7, SX9, SXS4, SXU, TCS2, TX2, TX26, TX4, TXU, VA2, VG24, VGE4, VGE5, VHA9, VHH4, VMS4, VPM4, VPM5, VPM8, VPM9, VPR4, VPR9, VSD, VSD7, VSD9, VWA2, VX2, VX4, VXU1, VXW2, WKS, WKT2, WKT4, WKT6
	19610-ZE1-010ZC	*NH1*.....BLACK	1	-	-	-	1699490	LX2, PXU, QA2, QA26, QBC2, QBT6, QCB2, QCL, QGR9, QH26, QHQ4, QMC6, QMC8, QMD6, QME4, QMZ2, QNT, QPU, QW24, QWA4, QWW2, QWX2, QX2, QX26, QX4, QX7, QX9, QXF2, QXS2, QXU, SD16, SG24, SHQ4, SMC7, SMC9, SX4, SX7, SX9, SXS4, SXU, TCS2, TW24, TX2, TX26, TX4, TXU, VA2, VG24, VGE4, VHH4, VMS4, VPM4, VPR4, VPR9, VSD, VSD7, VSD9, VWA2, VX2, VX4, VXU1, VXW2, WKS, WKT6

Ref. No.	Part No.	Description	Reqd. QTY				Serial No.	Parts catalogue code
			GX 160 UT1	GX 160 RT1	GX 160 UT2	GX 160 RT2		
(1)	19610-ZE1-010ZG	COVER COMP., FAN						
		NH105...MAT BLACK (#15-#20)	1	-	-	1699490	----- QWW2,QWX2,SWX2,TW24,VWA2,VVW2	
	19610-Z4M-000ZB	*NH1*.....BLACK	-	-	1	1	----- EMAN, HX2, LX2, PXU, QA2, QBC2, QBM2, QGR9, QH26, QHQ4, QMC6, QMC8, QMD6 QME4, QMX2, QPU, QWA4, QWX2, QX2, QX4, QX9, QXS2, QXU, RH2, SD16, SHQ4 SMC7, SMC9, SSSX2, SWX2, SX4, SX9, SXS4, SXU, TX2, TX4, VA2, VES6, VGE4 VHH4, VWS, VWWN, VX2, VXU1, WKS, WKT2	
	19610-Z4M-000ZA	*R280*.....POWER RED	-	-	1	1	----- HH26, HHQ4, HX2, HX4, LHN4, LHQ4, LX2, LX4, LXM2, PXU, QA2, QAX2, QAX4 QBC2, QBM2, QGR9, QH26, QHG4, QHQ4, QMC6, QMC8, QMD6, QME4, QMP4, QPU QWA4, QWX2, QX2, QX4, QX9, QXM2, QXS2, QXU, RH2, RHG4, RHQ4, RX4, RXU, S1CY SD16, SHQ4, SMC7, SMC9, SMW2, SX4, SX9, SXS4, SXU, TX2, TX4, TXDU, UXU, VA2 VGE4, VGE5, VHH4, VPM5, VSD9, VX2, VXU1, WKS, WKT2, WMBO	
	19610-Z4M-600ZA	*R280*.....POWER RED	-	-	1	-	----- SHRY	
2	19610-ZE1-810ZG	COVER COMP., FAN(OIL ALERT)						
		R280.....POWER RED	1	-	-	-	----- 1699489 VS17, VS19, VSD1	
	19610-ZE1-810ZB	*NH1*.....BLACK	1	-	-	-	----- 1699489 VSD1	
	19610-ZE1-811ZG	*R280*.....POWER RED	1	-	-	-	----- 1699490 VS17, VS19, VSD1	
	19610-ZE1-811ZB	*NH1*.....BLACK	1	-	-	-	----- 1699490 VSD1	
	19610-Z4M-810ZA	*R280*.....POWER RED	-	-	-	1	----- VS19	
3	19610-ZE1-831ZG	COVER COMP., FAN						
		(STARTER MOTOR)						
		R280.....POWER RED	1	-	-	-	----- HXE8, QKA4, QXE4, QXE5, QXE8, QXP2, QXW, QXWE, RXE2, RXP2, SXE4, SXE5	
	19610-ZE1-830ZA	*NH1*.....BLACK	1	-	-	-	----- 1699489 QXE2	
	19610-ZE1-830ZG	*R280*.....POWER RED	1	-	-	-	----- 1699489 QXE2, VXE9	
	19610-ZE1-831ZA	*NH1*.....BLACK	1	-	-	-	----- 1699490 QXE2	
	19610-ZE1-831ZG	*R280*.....POWER RED	1	-	-	-	----- 1699490 QXE2, VXE9	
	19610-Z4M-830ZB	*R280*.....POWER RED	-	-	1	-	----- HXE8, QXE2, QXE5, QXE8, QXWE, RXE2, SXE5, VXE9	
	19610-Z4M-830ZC	*NH1*.....BLACK	-	-	1	-	----- QXE2	
4	19611-ZH8-810	PLATE COMP., SIDE(OIL ALERT)	1	-	-	-	----- HX2, HX4, HXU, LX2, LX26, LX4, LXU, PXU, QBT6, QCL, QMC8, QNT, QNT4, QW24 QWA4, QWW2, QWX2, QX2, QX26, QX4, QX7, QX9, QXC4, QXC9, QXF2, QXU, RX4, RXU SG22, SG24, SMC7, SSSX2, SWX2, SX2, SX4, SX7, SX9, SXS, SXS2, SXS4, SXU TCS2, TW24, TX2, TX26, TX4, TXC9, TXDU, TXU, UXU, VA2, VG24, VG29, VGE2 VGE4, VGE5, VHA9, VHH4, VMS4, VPM4, VPM5, VPM8, VPM9, VPMN, VPR4, VPR9 VS17, VS19, VSD, VSD1, VSD2, VSD7, VSD9, VWA2, VVW2, VWWN, VX2, VX4, VXU1 VXW2, WKS, WKT2, WKT4, WKT6	
	19611-ZH8-820	PLATE COMP., SIDE						
		(ALERT & LAMP)						
	19611-Z4M-820	-	-	1	1	----- QAX2, QAX4, QGR9, QMD6, QXS2, SMC9	
	19611-Z4M-810	PLATE COMP., SIDE(OIL ALERT)	-	-	1	1	----- EMAN, QAX2, QAX4, QGR9, QMD6, QXS2, SMC9	
							----- HX2, HX4, LX2, LX4, LXM2, PXU, QMC8, QMX2, QWA4, QWX2, QX2, QX4, QX9, QXM2 QXU, RX4, RXU, SMC7, SMW2, SSSX2, SWX2, SX4, SX9, SXS4, SXU, TX2, TX4, TXDU UXU, VA2, VES6, VGE4, VGE5, VHH4, VPM5, VS19, VSD9, VWS, VWWN, VX2, VXU1 WKS, WKT2	
5	19612-ZH8-000	PLATE, SIDE(STD.)	1	1	-	-	----- HH26, HHQ4, LHQ4, QA2, QA26, QBC2, QBM2, QCB2, QH26, QHG4, QHQ4, QHQU QME4, QMP4, QMZ2, QPU, RH2, RHG4, RHQ4, RTB2, SD16, SHQ4, SHQU, WMBO	
	19612-ZH8-821	PLATE, SIDE(LAMP)	1	-	-	-	----- QMC6	
	19612-Z4M-000	PLATE, SIDE(STD.)	-	-	1	1	----- HH26, HHQ4, LHN4, LHQ4, QA2, QBC2, QBM2, QH26, QHG4, QHQ4, QME4, QMP4, QPU RH2, RHG4, RHQ4, S1CY, SD16, SHQ4, SHRY, WMBO	
	19612-Z4M-820	PLATE, SIDE(LAMP)	-	-	1	-	----- QMC6	
6	19612-ZH8-840	PLATE, SIDE(STARTER MOTOR)	1	1	-	-	----- HXE8, QKA4, QXE2, QXE4, QXE5, QXE8, QXP2, QXW, QXWE, RXE2, RXP2, SWG4 SXE4, SXE5, VXE9	
	19612-Z4M-840	-	-	1	1	----- HXE8, QXE2, QXE5, QXE8, QXWE, RXE2, SWG4, SXE5, VXE9	
7	19613-ZE1-020	CLAMP, CORD	1	-	-	1	----- VES6, VGE2, VGE4, VGE5, VPM4, VPR4, VPR9, VWS	

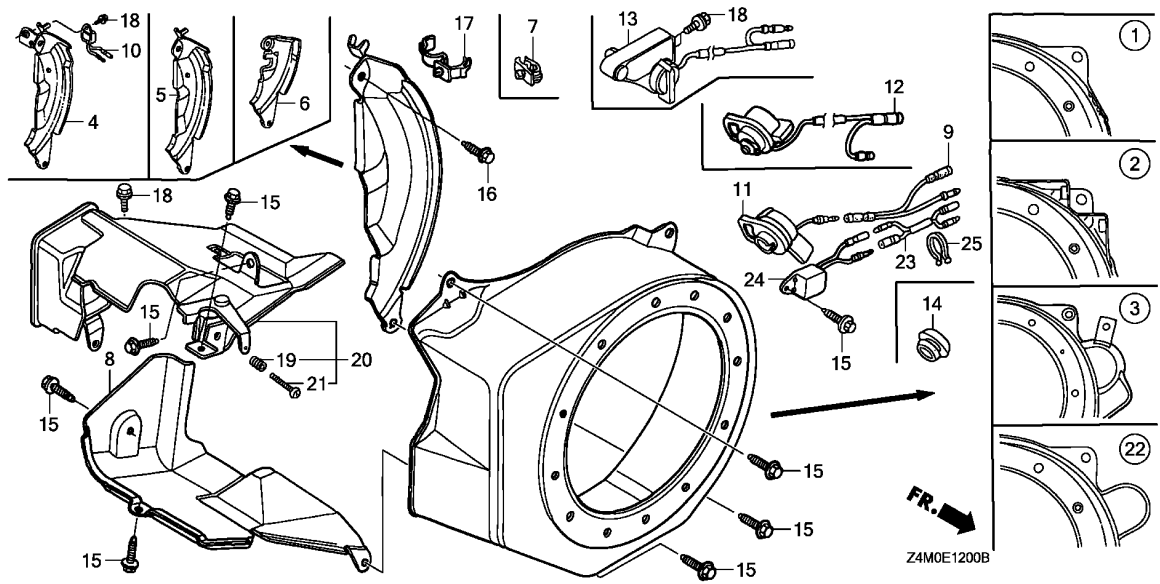




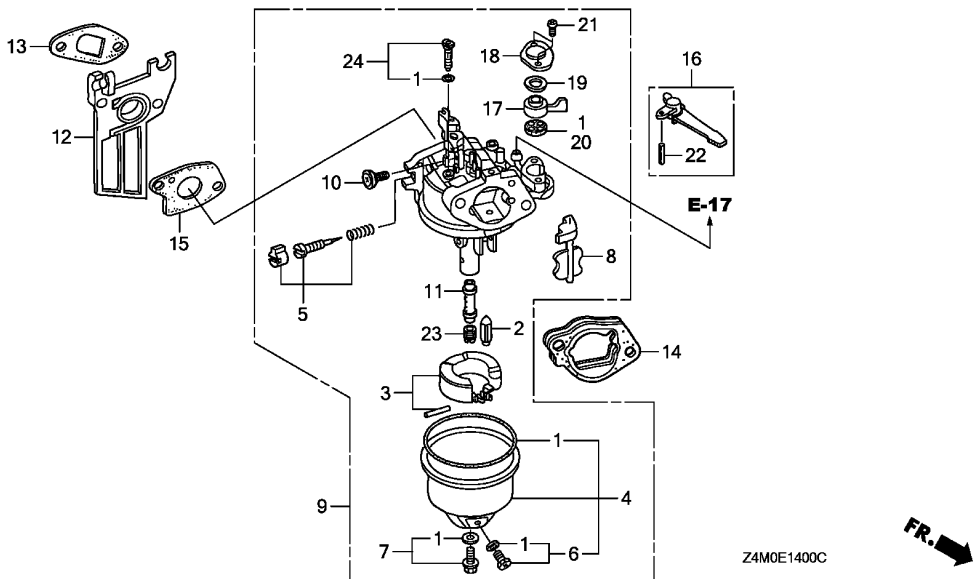
Ref. No.	Part No.	Description	Reqd. QTY				Serial No.	Parts catalogue code
			GX 160 UT1	GX 160 RT1	GX 160 UT2	GX 160 RT2		
8	19630-ZH8-000	SHROUD COMP.	1	1	-	-	-----	HH26, HHQ4, HX2, HX4, HXE8, HXU, LHQ4, LX2, LX26, LX4, LXU, PXU, QA2, QA26, QAX2, QAX4, QBC2, QBM2, QBT6, QCB2, QCL, QGR9, QH26, QHG4, QHQ4, QHQ4, QKA4, QMC6, QMC8, QMD6, QME4, QMP4, QMZ2, QNT, QNT4, QPU, QW24, QWA4, QWW2, QWX2, QX2, QX26, QX4, QX7, QX9, QXC4, QXC9, QXE2, QXE4, QXE5, QXE8, QXF2, QXP2, QXS2, QXU, QXW, QXWE, RH2, RHG4, RHQ4, RTB2, RX4, RXE2, RXP2, RXU, SD16, SG22, SG24, SHQ4, SHQU, SMC7, SMC9, SSX2, SWG4, SWX2, SX2, SX4, SX7, SX9, SXE4, SXE5, SXS, SXS2, SXS4, SXU, TCS2, TW24, TX2, TX26, TX4, TXC9, TXDU, TXU, UXU, VA2, VG24, VG29, VGE2, VGE4, VGE5, VHA9, VHH4, VMS4, VPM4, VPM5, VPM8, VPM9, VPMN, VPR4, VPR9, VS17, VS19, VSD, VSD1, VSD2, VSD7, VSD9, VWA2, VX2, VX4, VXE9, VXU1, VXW2, WKS, WKT2, WKT4, WKT6, WMBO
	19630-ZB2-000	SHROUD COMP., LOWER	1	-	-	-	-----	VWW2, VWWN
	19630-Z4M-000	SHROUD COMP.	-	-	1	1	-----	HH26, HHQ4, HX2, HX4, HXE8, LHN4, LHQ4, LX2, LX4, LXM2, PXU, QA2, QAX2, QAX4, QBC2, QBM2, QGR9, QH26, QHG4, QHQ4, QMC6, QMC8, QMD6, QME4, QMP4, QMX2, QPU, QWA4, QWX2, QX2, QX4, QX9, QXE2, QXE5, QXE8, QXM2, QXS2, QXU, QXWE, RH2, RHG4, RHQ4, RX4, RXE2, RXU, S1CY, SD16, SHQ4, SHRY, SMC7, SMC9, SMW2, SSSX2, SWG4, SWX2, SX4, SX9, SXE5, SXS4, SXU, TX2, TX4, TXDU, UXU, VA2, VGE4, VGE5, VHH4, VPM5, VS19, VSD9, VX2, VXE9, VXU1, WKS, WKT2, WMBO
	19630-Z4M-800	SHROUD COMP., LOWER	-	-	-	1	-----	EMAN, VES6, VWS, VWWN
9	32197-ZH8-003	SUB HARNESS	1	-	-	1	-----	VES6, VGE2, VGE4, VGE5, VPM4, VPR4, VPR9
10	34150-ZH7-013	ALERT UNIT, OIL	1	-	-	-	-----	HX2, HX4, HXU, QAX2, QAX4, QNT4, QXC4, QXC9, RX4, RXU, SG22, SSSX2, SX2, SXS, SXS2, TXC9, TXDU, UXU, VG29, VGE2, VSD2
	34150-ZH7-003	1	-	-	-	-----	LX2, LX26, LX4, LXU, PXU, QBT6, QCL, QGR9, QMC8, QMD6, QNT, QW24, QWA4, QWW2, QWX2, QX2, QX26, QX4, QX7, QX9, QXF2, QXS2, QXU, SG24, SMC7, SMC9, SWX2, SX4, SX7, SX9, SXS4, SXU, TCS2, TW24, TX2, TX26, TX4, TXU, VA2, VG24, VGE4, VGE5, VHA9, VHH4, VMS4, VPM4, VPM5, VPM8, VPM9, VPMN, VPR4, VPR9, VS17, VS19, VSD, VSD1, VSD7, VSD9, VWA2, VWW2, VWWN, VX2, VX4, VXU1, VXW2, WKS, WKT2, WKT4, WKT6

Ref. No.	Part No.	Description	Reqd. QTY				Serial No.	Parts catalogue code
			GX 160 UT1	GX 160 RT1	GX 160 UT2	GX 160 RT2		
10)	34150-ZH7-013	ALERT UNIT, OIL	-	-	1	1	-----	EMAN, HX2, HX4, LX2, LX4, LXM2, PXU, QAX2, QAX4, QGR9, QMC8, QMD6, QMX2, QWA4, QWX2, QX2, QX4, QX9, QXM2, QXS2, QXU, RX4, RXU, SMC7, SMC9, SMW2, SSX2, SWX2, SX4, SX9, SXS4, SXU, TX2, TX4, TXDU, UXU, VA2, VES6, VGE4, VGE5, VHH4, VPM5, VS19, VSD9, VWS, VWWN, VX2, VXU1, WKS, WKT2
11	35120-ZOT-801	SWITCH ASSY., ENGINE STOP ...	1	1	1	1	-----	HH26, HHQ4, LHQ4, QA2, QA26, QBM2, QCB2, QH26, QHG4, QHQ4, QHQU, QMC6, QME4, QMZ2, RH2, RHG4, RHQ4, RTB2, S1CY, SD16, SHQ4, SHQU, SHRY, VGE2, VGE4, WMBO
12	35120-ZOT-851	SWITCH ASSY., ENGINE STOP ...	1	-	1	1	-----	1654685 QBC2 EMAN, HX2, HX4, HXU, LX2, LX26, LX4, LXM2, LXU, PXU, QAX2, QAX4, QBT6, QCL, QGR9, QMC8, QMD6, QMX2, QNT, QNT4, QW24, QWA4, QWW2, QWX2, QX2, QX26, QX4, QX7, QX9, QXC4, QXC9, QXF2, QXM2, QXS2, QXU, RX4, RXU, SG22, SG24, SMC7, SMC9, SMW2, SSX2, SWX2, SX2, SX4, SX7, SX9, SXS, SXS2, SXS4, SXU, TCS2, TW24, TX2, TX26, TX4, TXC9, TXDU, TXU, UXU, VA2, VG24, VG29, VHA9, VHH4, VMS4, VPM5, VPM8, VPM9, VPMN, VSD, VSD2, VSD7, VSD9, VWA2, VWW2, VWWN, VX2, VX4, VXU1, VXW2, WKS, WKT2, WKT4, WKT6
13	36100-ZH8-W82	SWITCH ASSY., ENGINE STOP (SDMO)	1	-	-	-	-----	VS17, VS19, VSD1
	36100-ZH8-W83	-	-	-	1	-----	VS19
14	81329-567-020	GROMMET, DRAIN HOLE	1	-	-	1	-----	QMP4, QPU, VES6, VGE2, VGE4, VGE5, VPM4, VPR4, VPR9, VWS
			1	-	-	-	-----	1654686 QBC2
			-	-	1	-	-----	LHN4, QBC2, QMP4, QPU
15	90013-883-000	BOLT, FLANGE, 6X12(CT200) ...	6	6	6	-	-----	HH26, HHQ4, HX2, HX4, HXE8, HXU, LHN4, LHQ4, LX2, LX26, LX4, LXM2, LXU, PXU, QA2, QA26, QAX2, QAX4, QBC2, QBM2, QBT6, QCB2, QCL, QGR9, QH26, QHG4, QHQ4, QHQU, QKA4, QMC6, QMC8, QMD6, QME4, QMP4, QMX2, QMZ2, QNT, QNT4, QPU, QW24, QWA4, QWW2, QWX2, QX2, QX26, QX4, QX7, QX9, QXC4, QXC9, QXF2, QXM2, QXS2, QXU, QXE8, QXF2, QXM2, QXP2, QXS2, QXU, QXW, QXWE, RH2, RHG4, RHQ4, RTB2, RX4, RXE2, RXP2, RXU, S1CY, SD16, SG22, SG24, SHQ4, SHQU, SHRY, SMC7, SMC9, SMW2, SSX2, SWG4, SWX2, SX2, SX4, SX7, SX9, SXE4, SXE5, SXS, SXS2, SXS4, SXU, TCS2, TW24, TX2, TX26, TX4, TXC9, TXDU, TXU, UXU, VA2, VG24, VG29, VGE2, VGE4, VGE5, VHA9, VHH4, VMS4, VPM4, VPM5, VPM8, VPM9, VPMN, VPR4, VPR9, VS17, VS19, VSD, VSD1, VSD2, VSD7, VSD9, VWA2, VX2, VX4, VXE9, VXU1, VXW2, WKS, WKT2, WKT4, WKT6, WMBO
			8	-	-	-	-----	VWW2, VWWN
			-	-	-	8	-----	EMAN, VES6, VWS, VWWN
			-	-	-	6	-----	QHG4, RHG4, SWG4, VGE4, VGE5, VHH4, VPM5, VS19
16	90022-888-010	BOLT, FLANGE, 6X20(CT200) ...	1	1	1	1	-----	EMAN, HH26, HHQ4, HX2, HX4, HXU, LHN4, LHQ4, LX2, LX26, LX4, LXM2, LXU, PXU, QA2, QA26, QAX2, QAX4, QBC2, QBM2, QBT6, QCB2, QCL, QGR9, QH26, QHG4, QHQ4, QHQU, QMC6, QMC8, QMD6, QME4, QMP4, QMX2, QMZ2, QNT, QNT4, QPU, QW24, QWA4, QWW2, QWX2, QX2, QX26, QX4, QX7, QX9, QXC4, QXC9, QXF2, QXM2, QXS2, QXU, RH2, RHG4, RHQ4, RTB2, RX4, RXU, S1CY, SD16, SG22, SG24, SHQ4, SHQU, SHRY, SMC7, SMC9, SMW2, SSX2, SWX2, SX2, SX4, SX7, SX9, SXS, SXS2, SXS4, SXU, TCS2, TW24, TX2, TX26, TX4, TXC9, TXDU, TXU, UXU, VA2, VES6, VG24, VG29, VGE2, VGE4, VGE5, VHA9, VHH4, VMS4, VPM4, VPM5, VPM8, VPM9, VPMN, VPR4, VPR9, VS17, VS19, VSD, VSD1, VSD2, VSD7, VSD9, VWA2, VWS, VWW2, VWWN, VX2, VX4, VXU1, VXW2, WKS, WKT2, WKT4, WKT6, WMBO
17	90601-ZH7-013	CLIP, HARNESS	1	-	1	1	-----	EMAN, HX2, HX4, HXU, LX2, LX26, LX4, LXM2, LXU, PXU, QAX2, QAX4, QBT6, QCL, QGR9, QMC8, QMD6, QMX2, QNT, QNT4, QW24, QWA4, QWW2, QWX2, QX2, QX26, QX4, QX7, QX9, QXC4, QXC9, QXF2, QXM2, QXS2, QXU, RX4, RXU, SG22, SG24, SMC7, SMC9, SMW2, SSX2, SWX2, SX2, SX4, SX7, SX9, SXS, SXS2, SXS4, SXU, TCS2, TW24, TX2, TX26, TX4, TXC9, TXDU, TXU, UXU, VA2, VG24, VG29, VHA9, VHH4, VMS4, VPM5, VPM8, VPM9, VPMN, VS17, VS19, VSD, VSD1, VSD2, VSD7, VSD9, VWA2, VWW2, VWWN, VX2, VX4, VXU1, VXW2, WKS, WKT2, WKT4, WKT6





Ref. No.	Part No.	Description	Reqd. QTY				Serial No.	Parts catalogue code
			GX 160 UT1	GX 160 RT1	GX 160 UT2	GX 160 RT2		
18	95701-06008-00	BOLT, FLANGE, 6X8	1	-	-	1	-----	HX2, HX4, HXU, LX2, LX26, LX4, LXU, PXU, QAX2, QAX4, QBT6, QCL, QGR9, QMC8, QMD6, QNT, QNT4, QW24, QWA4, QWW2, QWX2, QX2, QX26, QX4, QX7, QX9, QXC4, QXC9, QXF2, QXS2, QXU, RX4, RXU, SG22, SG24, SMC7, SMC9, SSSX2, SWX2, SX2, SX4, SX7, SX9, SXS, SXS2, SXS4, SXU, TCS2, TW24, TX2, TX26, TX4, TXC9, TXDU, TXU, UXU, VA2, VG24, VG29, VGE2, VGE4, VGE5, VHA9, VHH4, VMS4, VPM4, VPM5, VPM8, VPM9, VPMN, VPR4, VPR9, VSD, VSD2, VSD7, VSD9, VWA2, VX2, VX4, VXU1, VXW2, WKS, WKT2, WKT4, WKT6
			3	-	-	3	-----	VS17, VS19, VSD1
			2	-	-	-	-----	VWW2, VWWN
			-	-	1	2	-----	EMAN, HX2, HX4, LX2, LX4, LXM2, PXU, QAX2, QAX4, QGR9, QMC8, QMD6, QMX2, QWA4, QWX2, QX2, QX4, QX9, QXM2, QXS2, QXU, RX4, RXU, SMC7, SMC9, SMC7, SMC9, SSSX2, SWX2, SX4, SX9, SXS4, SXU, TX2, TX4, TXDU, UXU, VA2, VES6, VSD9, VWS, VWWN, VX2, VXU1, WKS, WKT2
19	16584-883-300	SPRING, CONTROL ADJUSTING ...	1	-	-	1	-----	EMAN, VES6, VWS, VWW2, VWWN
20	19640-ZB2-010	SHROUD ASSY., UPPER	1	-	-	1	-----	EMAN, VES6, VWS, VWW2, VWWN
21	93500-05035-0A	SCREW, PAN, 5X35	1	-	-	1	-----	EMAN, VES6, VWS, VWW2, VWWN
22	19610-ZE1-821ZG	COVER COMP., FAN (STARTER MOTOR)						
		R280.....POWER RED	-	1	-	-	-----	SWG4
	19610-Z4M-820ZB	*R280*.....POWER RED	-	-	-	1	-----	SWG4
23	32105-ZH8-V10	CABLE, DOUBLE CONNECTOR	-	1	-	1	-----	SWG4
24	34150-ZH7-013	ALERT UNIT, OIL	-	1	-	1	-----	SWG4
25	90630-751-000	CLIP, PURSE LOCK	-	1	-	1	-----	SWG4



Ref. No.	L.O.N.	(Relative ref. Number) Description	F.R.T.
1	3111B1	GASKET SET, CARBURETOR (3)	0.3
2	3111E1	VALVE SET, FLOAT AND/OR FLOAT SET	0.3
4	3111A3	CHAMBER SET, FLOAT AND/OR GASKET, FLOAT CHAMBER	0.2
5	3111D7	SCREW SET, PILOT	0.2
9	3111F3	CARBURETOR (13)	0.2
12	3111C0	INSULATOR, CARBURETOR AND/OR PACKING, INSULATOR	0.2
14	3111D9	SPACER, CARBURETOR	0.2
15	3111C8	PACKING, CARBURETOR	0.2
16	8101F9	LEVER, CARBURETOR CHOKE (17,18,19)	0.2
20	3101C5	PACKING, FUEL COCK (11)	0.2
23	3111C3	JET, MAIN	0.3

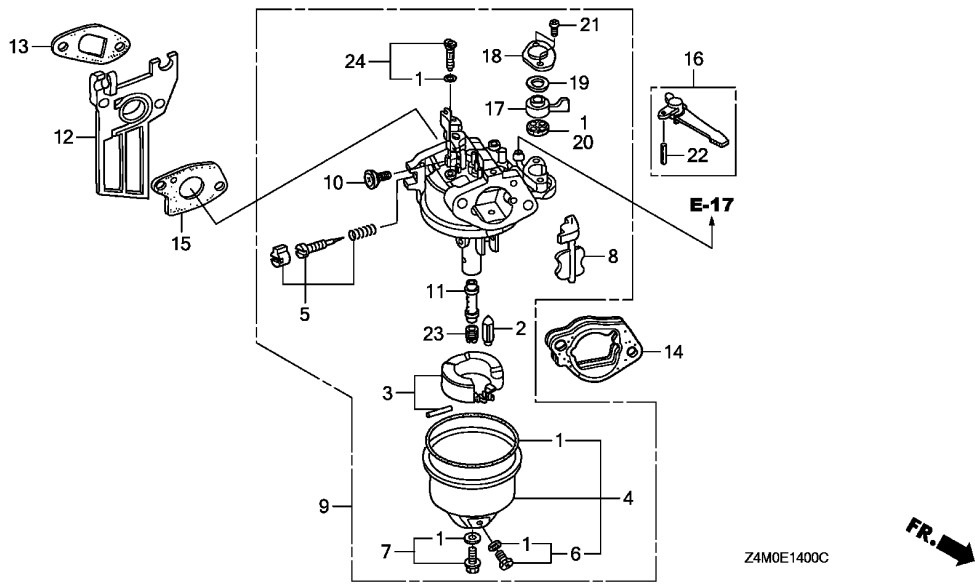
Ref. No.	Part No.	Description	Reqd. QTY				Serial No.	Parts catalogue code
			GX 160 UT1	GX 160 RT1	GX 160 UT2	GX 160 RT2		
1	16010-ZE0-025	GASKET SET	1	-	1	-	QMC6,SD16,VG24,WKS,WMB0	
2	16011-ZE0-005	VALVE SET, FLOAT	1	-	1	-	QMC6,SD16,VG24,WKS,WMB0	
3	16013-Z0S-B01 16013-ZE0-005	FLOAT SET	1	-	1	-	QMC6,SD16,WKS,WMB0 VG24	
4	16015-ZE0-831 16015-Z4M-911	CHAMBER SET, FLOAT	1	-	-	-	QMC6,SD16,VG24,WKS,WMB0 QMC6,SD16,WKS,WMB0	
5	16016-ZH7-W01	SCREW SET, PILOT	1	-	1	-	QMC6,SD16,VG24,WKS,WMB0	
6	16024-ZE1-811 16024-Z5T-901	SCREW SET, DRAIN	1	-	-	-	QMC6,SD16,VG24,WKS,WMB0 QMC6,SD16,WKS,WMB0	
7	16028-ZE0-005 16028-Z5T-901	SCREW SET	1	-	-	-	QMC6,SD16,VG24,WKS,WMB0 QMC6,SD16,WKS,WMB0	
8	16044-ZE0-005 16044-Z4M-911	CHOKE SET	1	-	-	-	QMC6,SD16,VG24,WKS,WMB0 QMC6,SD16,WKS,WMB0	
9	16100-Z0T-931 16100-ZH8-W41 16100-Z4M-931	CARBURETOR ASSY.(BE66H A) CARBURETOR ASSY.(BE66D B) CARBURETOR ASSY.(BE66U A)	1 1 1	- - -	- - -	- - -	QMC6,SD16,WKS,WMB0 VG24 QMC6,SD16,WKS,WMB0	
10	16124-ZE0-005	SCREW, THROTTLE STOP	1	-	1	-	QMC6,SD16,VG24,WKS,WMB0	
11	16166-ZH8-W60 16166-ZH8-W50 16166-Z4M-921	NOZZLE, MAIN	1 1 1	- - -	- - 1	- - -	QMC6,SD16,WKS,WMB0 VG24 QMC6,SD16,WKS,WMB0	
12	16211-ZE1-000 16211-Z4M-000	INSULATOR, CARBURETOR	1 1	- -	- 1	- -	QMC6,SD16,VG24,WKS,WMB0 QMC6,SD16,WKS,WMB0	
13	16212-ZH8-800	PACKING, INSULATOR	1	-	1	-	QMC6,SD16,VG24,WKS,WMB0	
14	16220-ZE1-020	SPACER COMP., CARBURETOR	1	-	1	-	QMC6,SD16,VG24,WKS,WMB0	
15	16221-ZH8-801	PACKING, CARBURETOR	1	-	1	-	QMC6,SD16,VG24,WKS,WMB0	
16	16610-ZE1-000	LEVER COMP., CHOKE(STD.)	1	-	1	-	QMC6,SD16,VG24,WKS,WMB0	



E-14

CARBURETOR(1)

G 3

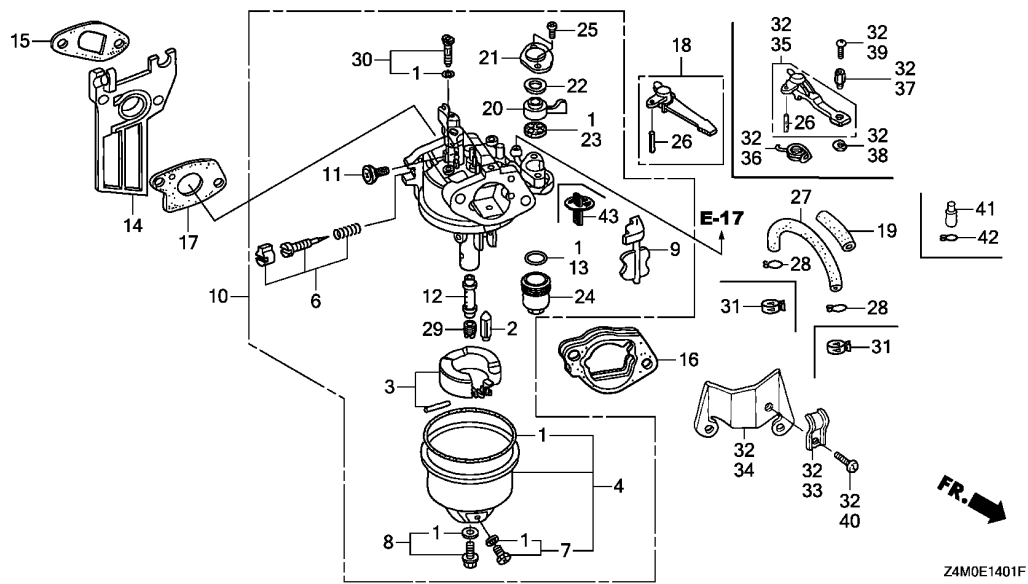


Z4M0E1400C

Ref. No.	Part No.	Description	Reqd. QTY				Serial No.	Parts catalogue code
			GX 160 UT1	GX 160 RT1	GX 160 UT2	GX 160 RT2		
17	16953-ZE1-812	LEVER, COCK	1	-	1	-	-----	QMC6,SD16,VG24,WKS,WMB0
18	16954-ZE1-812	PLATE, LEVER SETTING	1	-	1	-	-----	QMC6,SD16,VG24,WKS,WMB0
19	16956-ZE1-811	SPRING, COCK LEVER	1	-	1	-	-----	QMC6,SD16,VG24,WKS,WMB0
20	16957-ZE1-812	PACKING, FUEL COCK	1	-	1	-	-----	QMC6,SD16,VG24,WKS,WMB0
21	93500-03006-1H	SCREW, PAN, 3X6	2	-	2	-	-----	QMC6,SD16,VG24,WKS,WMB0
22	94305-20122	PIN, SPRING, 2X12	1	-	1	-	-----	QMC6,SD16,VG24,WKS,WMB0
23	99101-ZH8-0650	JET, MAIN, #65	(1)	-	-	-	-----	QMC6,SD16,VG24,WKS,WMB0
	99101-ZH8-0680	JET, MAIN, #68	(1)	-	-	-	-----	QMC6,SD16,VG24,WKS,WMB0
	99101-ZH8-0700	JET, MAIN, #70	1	-	-	-	-----	QMC6,SD16,VG24,WKS,WMB0
	99101-ZH8-0620	JET, MAIN, #62	-	-	(1)	-	-----	QMC6,SD16,WKS
	99101-ZH8-0650	JET, MAIN, #65	-	-	(1)	-	-----	QMC6,SD16,WKS
	99101-ZH8-0680	JET, MAIN, #68	-	-	(1)	-	-----	QMC6,SD16,WKS
			-	-	1	-	-----	QMC6,SD16,WKS,WMB0
24	99204-ZE0-0350	JET SET, PILOT, #35	1	-	1	-	-----	QMC6,SD16,VG24,WKS,WMB0

E-14-1

CARBURETOR(2)



Ref. No.	L.O.N.	(Relative ref. Number) Description	F.R.T.
1	3111B1	GASKET SET, CARBURETOR (3)	0.3
2	3111E1	VALVE SET, FLOAT AND/OR FLOAT SET	0.3
4	3111A3	CHAMBER SET, FLOAT AND/OR GASKET, FLOAT CHAMBER	0.2
6	3111D7	SCREW SET, PILOT	0.2
10	3111F3	CARBURETOR (43)	0.2
13	3101L6	PACKING, FUEL STRAINER CUP (15)	0.2
14	3111C0	INSULATOR, CARBURETOR AND/OR PACKING, INSULATOR	0.2
16	3111D9	SPACER, CARBURETOR	0.2
17	3111C8	PACKING, CARBURETOR (35)	0.2
18	8101F9	LEVER, CARBURETOR CHOKE (20,21,22)	0.2
23	3101C5	PACKING, FUEL COCK	0.2
27	3101F6	TUBE, FUEL (12)	0.2
29	3111C3	JET, MAIN	0.3

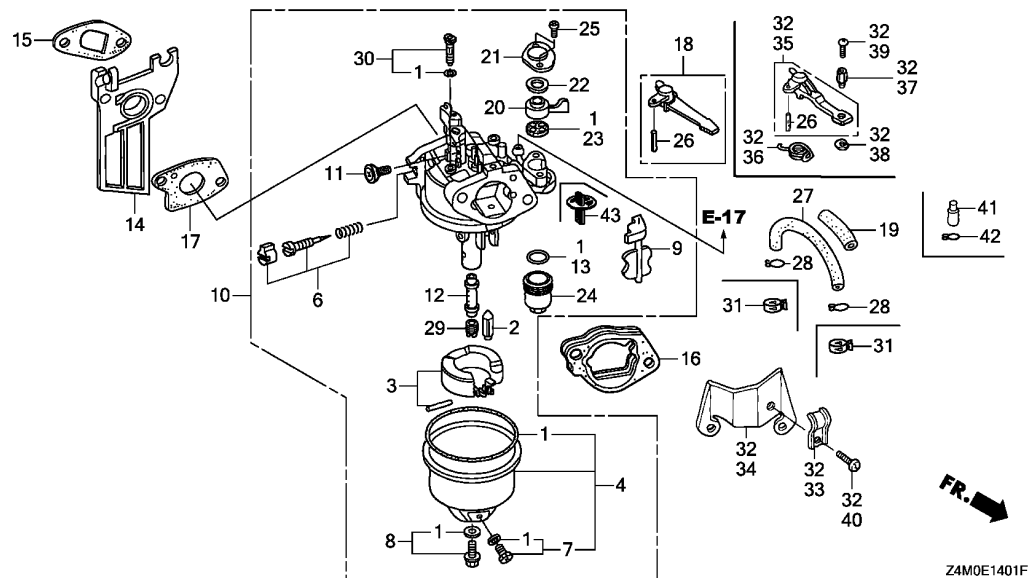
Z4M0E1401F

Ref. No.	Part No.	Description	Reqd. QTY				Serial No.	Parts catalogue code
			GX 160 UT1	GX 160 RT1	GX 160 UT2	GX 160 RT2		
1	16010-ZE1-812	GASKET SET	1	1	1	1	HH26, HHQ4, HX2, HX4, HXE8, HXU, LHN4, LHQ4, LX2, LX26, LX4, LXM2, LXU, PXU, QA2, QA26, QAX2, QAX4, QBC2, QBM2, QBT6, QCB2, QCL, QGR9, QH26, QHG4, QHQ4, QHQ4, QKA4, QMC8, QMD6, QME4, QMP4, QMX2, QM22, QNT, QPU, QW24, QWA4, QWW2, QWX2, QX2, QX26, QX4, QX7, QX9, QXC4, QXC9, QXE2, QXE4, QXE5, QXE8, QXF2, QXM2, QXP2, QXS2, QXU, QXW, QXWE, RH2, RHG4, RHQ4, RTB2, RX4, RXE2, RXP2, RXU, S1CY, SG22, SG24, SHQ4, SHQU, SHRY, SMC7, SMC9, SMW2, SSS2, SWG4, SWX2, SX2, SX4, SX7, SX9, SXE4, SXE5, SXS, SXS2, SXS4, SXU, TCS2, TW24, TX2, TX26, TX4, TXC9, TXDU, TXU, UXU, VA2, VG29, VGE2, VGE4, VGE5, VHA9, VHH4, VMS4, VSD, VSD2, VSD7, VSD9, VWA2, VX2, VX4, VXE9, VXU1, VXW2, WKT2, WKT4, WKT6	
2	16011-ZE0-005	VALVE SET, FLOAT	1	1	1	1	HH26, HHQ4, HX2, HX4, HXE8, HXU, LHN4, LHQ4, LX2, LX26, LX4, LXM2, LXU, PXU, QA2, QA26, QAX2, QAX4, QBC2, QBM2, QBT6, QCB2, QCL, QGR9, QH26, QHG4, QHQ4, QHQ4, QKA4, QMC8, QMD6, QME4, QMP4, QMX2, QM22, QNT, QPU, QW24, QWA4, QWW2, QWX2, QX2, QX26, QX4, QX7, QX9, QXC4, QXC9, QXE2, QXE4, QXE5, QXE8, QXF2, QXM2, QXP2, QXS2, QXU, QXW, QXWE, RH2, RHG4, RHQ4, RTB2, RX4, RXE2, RXP2, RXU, S1CY, SG22, SG24, SHQ4, SHQU, SHRY, SMC7, SMC9, SMW2, SSS2, SWG4, SWX2, SX2, SX4, SX7, SX9, SXE4, SXE5, SXS, SXS2, SXS4, SXU, TCS2, TW24, TX2, TX26, TX4, TXC9, TXDU, TXU, UXU, VA2, VG29, VGE2, VGE4, VGE5, VHA9, VHH4, VMS4, VSD, VSD2, VSD7, VSD9, VWA2, VX2, VX4, VXE9, VXU1, VXW2, WKT2, WKT4, WKT6	



E-14-1

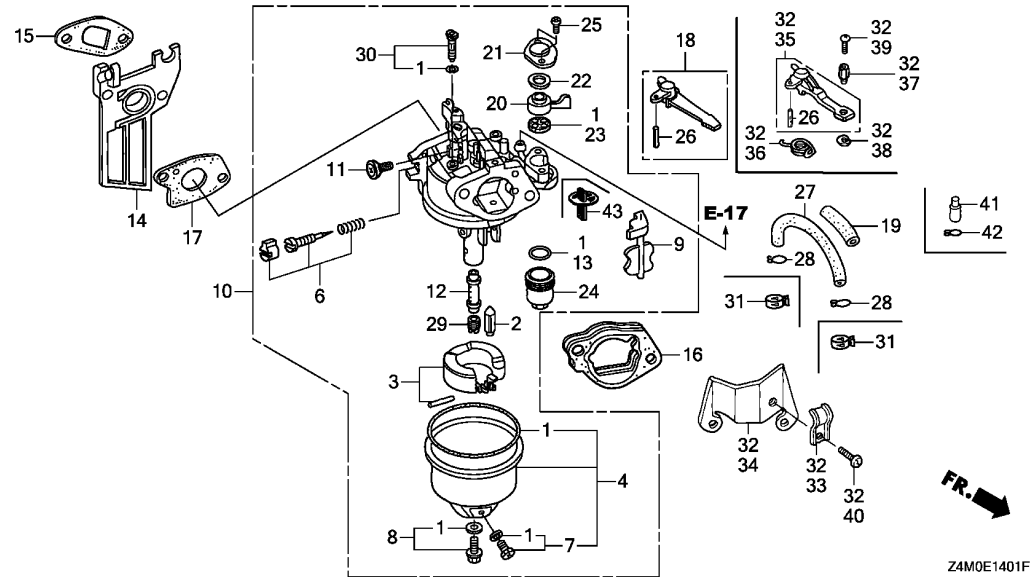
CARBURETOR(2)



Ref. No.	Part No.	Description	Reqd. QTY				Serial No.	Parts catalogue code
			GX 160 UT1	GX 160 RT1	GX 160 UT2	GX 160 RT2		
3	16013-Z0S-B01	FLOAT SET	1	1	1	1	-----	HH26, HHQ4, HX2, HX4, HXE8, HXU, LHN4, LHQ4, LX2, LX26, LX4, LXM2, LXU, PXU, QA2, QA26, QAX2, QAX4, QBC2, QBM2, QBT6, QCB2, QCL, QGR9, QH26, QHG4, QHQ4, QHQ4, QKA4, QMC8, QMD6, QME4, QMP4, QMX2, QMZ2, QNT, QPU, QW24, QWA4, QWW2, QWX2, QX2, QX26, QX4, QX7, QX9, QXC4, QXC9, QXE2, QXE4, QXE5, QXE8, QXF2, QXM2, QXP2, QXS2, QXU, QXW, QXWE, RH2, RHG4, RHQ4, RTB2, RX4, RXE2, RXP2, RXU, S1CY, SG22, SG24, SHQ4, SHQU, SHRY, SMC7, SMC9, SMW2, SSSX2, SWG4, SWX2, SX2, SX4, SX7, SX9, SXE4, SXE5, SXS, SXS2, SXS4, SXU, TCS2, TW24, TX2, TX26, TX4, TXC9, TXDU, TXU, UXU, VA2, VG29, VGE2, VGE4, VGE5, VHA9, VHH4, VMS4, VSD, VSD2, VSD7, VSD9, VVA2, VX2, VX4, VXE9, VXU1, VXW2, WKT2, WKT4, WKT6
4	16015-ZE0-831	CHAMBER SET, FLOAT	1	1	-	-	-----	HH26, HHQ4, HX2, HX4, HXE8, HXU, LHN4, LHQ4, LX2, LX26, LX4, LXU, PXU, QA2, QA26, QAX2, QAX4, QBC2, QBM2, QBT6, QCB2, QCL, QGR9, QH26, QHG4, QHQ4, QHQ4, QKA4, QMC8, QMD6, QME4, QMP4, QMZ2, QNT, QPU, QW24, QWA4, QWW2, QWX2, QX2, QX26, QX4, QX7, QX9, QXC4, QXC9, QXE2, QXE4, QXE5, QXE8, QXF2, QXP2, QXS2, QXU, QXW, QXWE, RH2, RHG4, RHQ4, RTB2, RX4, RXE2, RXP2, RXU, SG22, SG24, SHQ4, SHQU, SMC7, SMC9, SSSX2, SWG4, SWX2, SX2, SX4, SX7, SX9, SXE4, SXE5, SXS, SXS2, SXS4, SXU, TCS2, TW24, TX2, TX26, TX4, TXC9, TXDU, TXU, UXU, VA2, VG29, VGE2, VGE4, VGE5, VHA9, VHH4, VMS4, VSD, VSD2, VSD7, VSD9, VVA2, VX2, VX4, VXE9, VXU1, VXW2, WKT2, WKT4, WKT6
	16015-Z4M-911	-	-	1	1	-----	HH26, HHQ4, HX2, HX4, HXE8, LHN4, LHQ4, LX2, LX4, LXM2, PXU, QA2, QAX2, QAX4, QBC2, QBM2, QGR9, QH26, QHG4, QHQ4, QMC8, QMD6, QME4, QMP4, QMX2, QPU, QWA4, QWX2, QX2, QX4, QX9, QXE2, QXE5, QXE8, QXM2, QXS2, QXU, QXWE, RH2, RHG4, RHQ4, RX4, RXE2, RXU, S1CY, SHQ4, SHRY, SMC7, SMC9, SMW2, SSSX2, SWG4, SWX2, SX4, SX9, SXE5, SXS4, SXU, TX2, TX4, TXDU, UXU, VA2, VGE4, VGE5, VHH4, VSD9, VX2, VXE9, VXU1, WKT2

Ref. No.	Part No.	Description	Reqd. QTY				Serial No.	Parts catalogue code
			GX 160 UT1	GX 160 RT1	GX 160 UT2	GX 160 RT2		
6	16016-ZH7-W01	SCREW SET, PILOT	1	1	1	1	-----	HH26, HHQ4, HX2, HX4, HXE8, HXU, LHN4, LHQ4, LX2, LX26, LX4, LXM2, LXU, PXU, QA2, QA26, QAX2, QAX4, QBC2, QBM2, QBT6, QCB2, QCL, QGR9, QH26, QHG4, QHQ4, QKA4, QMC8, QMD6, QME4, QMP4, QMX2, QM22, QNT, QPU, QW24, QWA4, QWW2, QWX2, QX2, QX26, QX4, QX7, QX9, QXE2, QXE4, QXE5, QXE8, QXF2, QXM2, QXP2, QXS2, QXU, QXW, QXWE, RH2, RHG4, RHQ4, RTB2, RX4, RXE2, RXP2, RXU, S1CY, SG22, SG24, SHQ4, SHQU, SHRY, SMC7, SMC9, SMW2, SSX2, SWG4, SWX2, SX2, SX4, SX7, SX9, SXE4, SXE5, SXS, SXS2, SXS4, SXU, TCS2, TW24, TX2, TX26, TX4, TXDU, TXU, UXU, VA2, VGE2, VGE4, VGE5, VHA9, VHH4, VMS4, VSD, VSD2, VSD7, VSD9, VVA2, VX2, VX4, VXE9, VXU1, VXW2, WKT2, WKT4, WKT6, QXC4, QXC9, TXC9, VG29
	16016-ZH8-W01	SCREW SET	1	-	-	-	-----	
7	16024-ZE1-811	SCREW SET, DRAIN	1	1	-	-	-----	HH26, HHQ4, HX2, HX4, HXE8, HXU, LHN4, LHQ4, LX2, LX26, LX4, LXU, PXU, QA2, QAX2, QAX4, QBC2, QBM2, QBT6, QCB2, QCL, QGR9, QH26, QHG4, QHQ4, QKA4, QMC8, QMD6, QME4, QMP4, QMX2, QM22, QNT, QPU, QW24, QWA4, QWW2, QWX2, QX2, QX26, QX4, QX7, QX9, QXC4, QXC9, QXE2, QXE4, QXE5, QXE8, QXF2, QXP2, QXS2, QXU, QXW, QXWE, RH2, RHG4, RHQ4, RTB2, RX4, RXE2, RXP2, RXU, SG22, SG24, SHQ4, SHQU, SMC7, SMC9, SSX2, SWG4, SWX2, SX2, SX4, SX7, SX9, SXE4, SXE5, SXS, SXS2, SXS4, SXU, TCS2, TW24, TX2, TX26, TX4, TXC9, TXDU, TXU, UXU, VA2, VG29, VGE2, VGE4, VGE5, VHA9, VHH4, VMS4, VSD, VSD2, VSD7, VSD9, VVA2, VX2, VX4, VXE9, VXU1, VXW2, WKT2, WKT4, WKT6
	16024-Z5T-901	-	-	1	1	-----	HH26, HHQ4, HX2, HX4, HXE8, LHN4, LHQ4, LX2, LX4, LXM2, PXU, QA2, QAX2, QAX4, QBC2, QBM2, QGR9, QH26, QHG4, QHQ4, QMC8, QMD6, QME4, QMP4, QMX2, QPU, QWA4, QWX2, QX2, QX4, QX9, QXE2, QXE5, QXE8, QXM2, QXS2, QXU, QXWE, RH2, RHG4, RHQ4, RX4, RXE2, RXU, S1CY, SHQ4, SHRY, SMC7, SMC9, SMW2, SSX2, SWG4, SWX2, SX4, SX9, SXE5, SXS4, SXU, TX2, TX4, TXDU, UXU, VA2, VGE4, VGE5, VHH4, VSD9, VX2, VXE9, VXU1, WKT2
8	16028-ZE0-005	SCREW SET	1	1	-	-	-----	HH26, HHQ4, HX2, HX4, HXE8, HXU, LHN4, LHQ4, LX2, LX26, LX4, LXU, PXU, QA2, QAX2, QAX4, QBC2, QBM2, QBT6, QCB2, QCL, QGR9, QH26, QHG4, QHQ4, QKA4, QMC8, QMD6, QME4, QMP4, QMX2, QM22, QNT, QPU, QW24, QWA4, QWW2, QWX2, QX2, QX26, QX4, QX7, QX9, QXC4, QXC9, QXE2, QXE4, QXE5, QXE8, QXF2, QXP2, QXS2, QXU, QXW, QXWE, RH2, RHG4, RHQ4, RTB2, RX4, RXE2, RXP2, RXU, SG22, SG24, SHQ4, SHQU, SMC7, SMC9, SSX2, SWG4, SWX2, SX2, SX4, SX7, SX9, SXE4, SXE5, SXS, SXS2, SXS4, SXU, TCS2, TW24, TX2, TX26, TX4, TXC9, TXDU, TXU, UXU, VA2, VG29, VGE2, VGE4, VGE5, VHA9, VHH4, VMS4, VSD, VSD2, VSD7, VSD9, VVA2, VX2, VX4, VXE9, VXU1, VXW2, WKT2, WKT4, WKT6
	16028-Z5T-901	-	-	1	1	-----	HH26, HHQ4, HX2, HX4, HXE8, LHN4, LHQ4, LX2, LX4, LXM2, PXU, QA2, QAX2, QAX4, QBC2, QBM2, QGR9, QH26, QHG4, QHQ4, QMC8, QMD6, QME4, QMP4, QMX2, QPU, QWA4, QWX2, QX2, QX4, QX9, QXE2, QXE5, QXE8, QXM2, QXS2, QXU, QXWE, RH2, RHG4, RHQ4, RX4, RXE2, RXU, S1CY, SHQ4, SHRY, SMC7, SMC9, SMW2, SSX2, SWG4, SWX2, SX4, SX9, SXE5, SXS4, SXU, TX2, TX4, TXDU, UXU, VA2, VGE4, VGE5, VHH4, VSD9, VX2, VXE9, VXU1, WKT2
9	16044-ZE0-005	CHOKE SET	1	1	-	-	-----	HH26, HHQ4, HX2, HX4, HXE8, HXU, LHN4, LHQ4, LX2, LX26, LX4, LXU, PXU, QA2, QA26, QAX2, QAX4, QBC2, QBM2, QBT6, QCB2, QCL, QGR9, QH26, QHG4, QHQ4, QKA4, QMC8, QMD6, QME4, QMP4, QMX2, QM22, QNT, QPU, QW24, QWA4, QWW2, QWX2, QX2, QX26, QX4, QX7, QX9, QXC4, QXC9, QXE2, QXE4, QXE5, QXE8, QXF2, QXP2, QXS2, QXU, QXW, QXWE, RH2, RHG4, RHQ4, RTB2, RX4, RXE2, RXP2, RXU, SG22, SG24, SHQ4, SHQU, SMC7, SMC9, SSX2, SWG4, SWX2, SX2, SX4, SX7, SX9, SXE4, SXE5, SXS, SXS2, SXS4, SXU, TCS2, TW24, TX2, TX26, TX4, TXC9, TXDU, TXU, UXU, VA2, VG29, VGE2, VGE4, VGE5, VHA9, VHH4, VMS4, VSD, VSD2, VSD7, VSD9, VVA2, VX2, VX4, VXE9, VXU1, VXW2, WKT2, WKT4, WKT6
	16044-Z4M-911	-	-	1	1	-----	HH26, HHQ4, HX2, HX4, HXE8, LHN4, LHQ4, LX2, LX4, LXM2, PXU, QA2, QAX2, QAX4, QBC2, QBM2, QGR9, QH26, QHG4, QHQ4, QMC8, QMD6, QME4, QMP4, QMX2, QPU, QWA4, QWX2, QX2, QX4, QX9, QXE2, QXE5, QXE8, QXM2, QXS2, QXU, QXWE, RH2, RHG4, RHQ4, RX4, RXE2, RXU, S1CY, SHQ4, SHRY, SMC7, SMC9, SMW2, SSX2, SWG4, SWX2, SX4, SX9, SXE5, SXS4, SXU, TX2, TX4, TXDU, UXU, VA2, VGE4, VGE5, VHH4, VSD9, VX2, VXE9, VXU1, WKT2





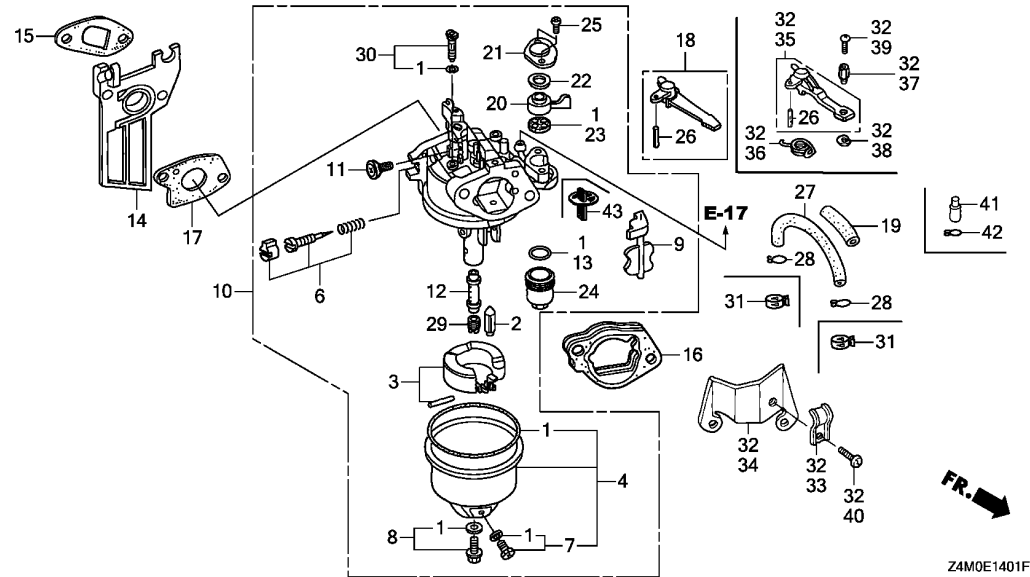
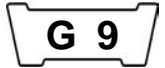
Ref. No.	Part No.	Description	Reqd. QTY				Serial No.	Parts catalogue code
			GX 160 UT1	GX 160 RT1	GX 160 UT2	GX 160 RT2		
10	16100-Z0T-911	CARBURETOR ASSY. (BE65Q A) ...	1	1	-	-	-----	HH26, HHQ4, HX2, HX4, HXE8, HXU, LHQ4, LX2, LX26, LX4, LXU, PXU, QAX2, QAX4, QBC2, QBM2, QBT6, QCB2, QCL, QGR9, QH26, QHG4, QHQ4, QHQU, QKA4, QMC8, QMD6, QMP4, QMZ2, QNT, QPU, QW24, QWA4, QWW2, QWX2, QX2, QX26, QX4, QX7, QX9, QXE2, QXE4, QXE5, QXE8, QXF2, QXP2, QXS2, QXU, QXW, QXWE, RH2, RHG4, RHQ4, RTB2, RX4, RXE2, RXP2, RXU, SG22, SG24, SHQ4, SHQU, SMC7, SMC9, SSX2, SWG4, SWX2, SX2, SX4, SX7, SX9, SXE4, SXE5, SXS, SXS2, SXS4, SXU, TCS2, TW24, TX2, TX26, TX4, TXDU, TXU, UXU, VA2, VGE2, VGE4, VGE5, VHA9, VHH4, VMS4, VSD, VSD2, VSD7, VSD9, VWA2, VX2, VX4, VXE9, VXU1, VXW2
	16100-Z0T-921	CARBURETOR ASSY. (BE65R A) ...	1	-	-	-	-----	QA2, QA26, WKT2, WKT4, WKT6
	16100-Z4X-V21	CARBURETOR ASSY. (BE54B A) ...	1	-	-	-	-----	QXC4, QXC9, TXC9, VG29
	16100-Z0T-911	CARBURETOR ASSY. (BE65Q A) ...	1	-	-	-	2412817	QME4
	16100-Z0T-921	CARBURETOR ASSY. (BE65R A) ...	1	-	-	-	2412818	QME4
	16100-Z4M-921	CARBURETOR ASSY. (BE54D A) ...	-	-	1	1	-----	HH26, HHQ4, HX2, HX4, HXE8, LHN4, LHQ4, LX2, LX4, LXM2, PXU, QA2, QAX2, QAX4, QGR9, QH26, QHG4, QHQ4, QME4, QMP4, QPU, QWX2, QX2, QX4, QXE2, QXE5, QXE8, QXM2, QXS2, QXU, QXWE, RH2, RHG4, RHQ4, RX4, RXE2, RXU, SHQ4, SHRY, SMW2, SWG4, SWX2, SX4, SXE5, SXS4, SXU, TX2, TX4, TXDU, UXU, VA2, VGE4, VGE5, VHH4, VX2, VXU1, WKT2
	16100-Z4M-911	CARBURETOR ASSY. (BE54C A) ...	-	-	1	-	-----	QBC2, QBM2, QMC8, QMD6, QMX2, QWA4, QX9, S1CY, SMC7, SMC9, SSX2, SX9, VSD9, VXE9

Ref. No.	Part No.	Description	Reqd. QTY				Serial No.	Parts catalogue code
			GX 160 UT1	GX 160 RT1	GX 160 UT2	GX 160 RT2		
11	16124-ZE0-005	SCREW, THROTTLE STOP	1	1	1	1	-----	HH26, HHQ4, HX2, HX4, HXE8, HXU, LHN4, LHQ4, LX2, LX26, LX4, LXM2, LXU, PXU, QA2, QA26, QAX2, QAX4, QBC2, QBM2, QBT6, QCB2, QCL, QGR9, QH26, QHG4, QHQ4, QHQ4, QKA4, QMC8, QMD6, QME4, QMP4, QMX2, QM22, QNT, QPU, QW24, QWA4, QWW2, QWX2, QX2, QX26, QX4, QX7, QX9, QXC4, QXC9, QXE2, QXE4, QXE5, QXE8, QXF2, QXM2, QXP2, QXS2, QXU, QXW, QXWE, RH2, RHG4, RHQ4, RTB2, RX4, RXE2, RXP2, RXU, S1CY, SG22, SG24, SHQ4, SHQU, SHRY, SMC7, SMC9, SMW2, SSX2, SWG4, SWX2, SX2, SX4, SX7, SX9, SXE4, SXE5, SXS, SXS2, SXS4, SXU, TCS2, TW24, TX2, TX26, TX4, TXC9, TXDU, TXU, UXU, VA2, VG29, VGE2, VGE4, VGE5, VHA9, VHH4, VMS4, VSD, VSD2, VSD7, VSD9, VWA2, VX2, VX4, VXE9, VXU1, VWX2, WKT2, WKT4, WKT6
12	16166-ZH8-W50	NOZZLE, MAIN	1	1	-	-	-----	HH26, HHQ4, HX2, HX4, HXE8, HXU, LHQ4, LX2, LX26, LX4, LXU, PXU, QAX2, QAX4, QBC2, QBM2, QBT6, QCB2, QCL, QGR9, QH26, QHG4, QHQ4, QHQ4, QKA4, QMC8, QMD6, QMP4, QM22, QNT, QPU, QW24, QWA4, QWW2, QWX2, QX2, QX26, QX4, QX7, QX9, QXE2, QXE4, QXE5, QXE8, QXF2, QXP2, QXS2, QXU, QXW, QXWE, RH2, RHG4, RHQ4, RTB2, RX4, RXE2, RXP2, RXU, SG22, SG24, SHQ4, SHQU, SMC7, SMC9, SSX2, SWG4, SWX2, SX2, SX4, SX7, SX9, SXE4, SXE5, SXS, SXS2, SXS4, SXU, TCS2, TW24, TX2, TX26, TX4, TXDU, TXU, UXU, VA2, VGE2, VGE4, VGE5, VHA9, VHH4, VMS4, VSD, VSD2, VSD7, VSD9, VWA2, VX2, VX4, VXE9, VXU1, VWX2
	16166-ZH8-W60	1	-	-	-	-----	QA2, QA26, WKT2, WKT4, WKT6
	16166-ZH8-W00	1	-	-	-	-----	QXC4, QXC9, TXC9, VG29
	16166-ZH8-W50	1	-	-	-	-----	QXC4, QXC9, TXC9, VG29
	(CARBURETOR NO.)	1	-	-	-	-----	BE65Q A QME4
	16166-ZH8-W60	1	-	-	-	-----	BE65R A
	(CARBURETOR NO.)	1	-	-	-	-----	QME4
	16166-Z4M-921	-	-	1	1	-----	HH26, HHQ4, HX2, HX4, HXE8, LHN4, LHQ4, LX2, LX4, LXM2, PXU, QA2, QAX2, QAX4, QGR9, QH26, QHG4, QHQ4, QME4, QMP4, QPU, QWX2, QX2, QX4, QXE2, QXE5, QXE8, QXM2, QXS2, QXU, QXWE, RH2, RHG4, RHQ4, RX4, RXE2, RXU, SHQ4, SHRY, SMW2, SWG4, SWX2, SX4, SXE5, SXS4, SXU, TX2, TX4, TXDU, UXU, VA2, VGE4, VGE5, VHH4, VX2, VXU1, WKT2
	16166-Z4M-911	-	-	1	-	-----	QBC2, QBM2, QMC8, QMD6, QMX2, QWA4, QX9, S1CY, SMC7, SMC9, SSX2, SX9, VSD9, VXE9
13	16173-001-004	PACKING, FUEL STRAINER CUP ..	1	1	1	1	-----	HH26, HHQ4, HX2, HX4, HXE8, HXU, LHN4, LHQ4, LX2, LX26, LX4, LXM2, LXU, PXU, QA2, QA26, QAX2, QAX4, QBC2, QBM2, QBT6, QCB2, QCL, QGR9, QH26, QHG4, QHQ4, QHQ4, QKA4, QMC8, QMD6, QME4, QMP4, QMX2, QM22, QNT, QPU, QW24, QWA4, QWW2, QWX2, QX2, QX26, QX4, QX7, QX9, QXC4, QXC9, QXE2, QXE4, QXE5, QXE8, QXF2, QXM2, QXP2, QXS2, QXU, QXW, QXWE, RH2, RHG4, RHQ4, RTB2, RX4, RXE2, RXP2, RXU, S1CY, SG22, SG24, SHQ4, SHQU, SHRY, SMC7, SMC9, SMW2, SSX2, SWG4, SWX2, SX2, SX4, SX7, SX9, SXE4, SXE5, SXS, SXS2, SXS4, SXU, TCS2, TW24, TX2, TX26, TX4, TXC9, TXDU, TXU, UXU, VA2, VG29, VGE2, VGE4, VGE5, VHA9, VHH4, VMS4, VSD, VSD2, VSD7, VSD9, VWA2, VX2, VX4, VXE9, VXU1, VWX2, WKT2, WKT4, WKT6
14	16211-ZE1-000	INSULATOR, CARBURETOR	1	1	-	-	-----	HH26, HHQ4, HX2, HX4, HXE8, HXU, LHQ4, LX2, LX26, LX4, LXU, PXU, QA2, QA26, QAX2, QAX4, QBC2, QBM2, QBT6, QCB2, QCL, QGR9, QH26, QHG4, QHQ4, QHQ4, QKA4, QMC8, QMD6, QME4, QMP4, QMX2, QM22, QNT, QPU, QW24, QWA4, QWW2, QWX2, QX2, QX26, QX4, QX7, QX9, QXC4, QXC9, QXE2, QXE4, QXE5, QXE8, QXF2, QXP2, QXS2, QXU, QXW, QXWE, RH2, RHG4, RHQ4, RTB2, RX4, RXE2, RXP2, RXU, SG22, SG24, SHQ4, SHQU, SMC7, SMC9, SSX2, SWG4, SWX2, SX2, SX4, SX7, SX9, SXE4, SXE5, SXS, SXS2, SXS4, SXU, TCS2, TW24, TX2, TX26, TX4, TXC9, TXDU, TXU, UXU, VA2, VG29, VGE2, VGE4, VGE5, VHA9, VHH4, VMS4, VSD, VSD2, VSD7, VSD9, VWA2, VX2, VX4, VXE9, VXU1, VWX2, WKT2, WKT4, WKT6
	16211-Z1T-000	INSULATOR, CARBURETOR(JLH) ..	1	-	-	-	-----	QAX4, QHQ4, QXC4, QXP2, RXP2, SG22, SHQU, SX2, SXS, SXS2, VGE2, VSD2
	16211-Z4M-000	INSULATOR, CARBURETOR	-	-	1	1	-----	HH26, HHQ4, HX2, HX4, HXE8, LHN4, LHQ4, LX2, LX4, LXM2, PXU, QA2, QAX2, QAX4, QBC2, QBM2, QGR9, QH26, QHG4, QHQ4, QMC8, QMD6, QME4, QMX2, QPU, QWA4, QWX2, QX2, QX4, QX9, QXE2, QXE5, QXE8, QXM2, QXS2, QXU, QXWE, RH2, RHG4, RHQ4, RX4, RXE2, RXU, S1CY, SHQ4, SHRY, SMC7, SMC9, SMW2, SSX2, SWG4, SWX2, SX4, SX9, SXE5, SXS4, SXU, TX2, TX4, TXDU, UXU, VA2, VGE4, VGE5, VHH4, VSD9, VX2, VXE9, VXU1, WKT2
	16210-Z4M-800	INSULATOR COMP., CARBURETOR ..	-	-	1	-	-----	QMP4



E-14-1

CARBURETOR(2)



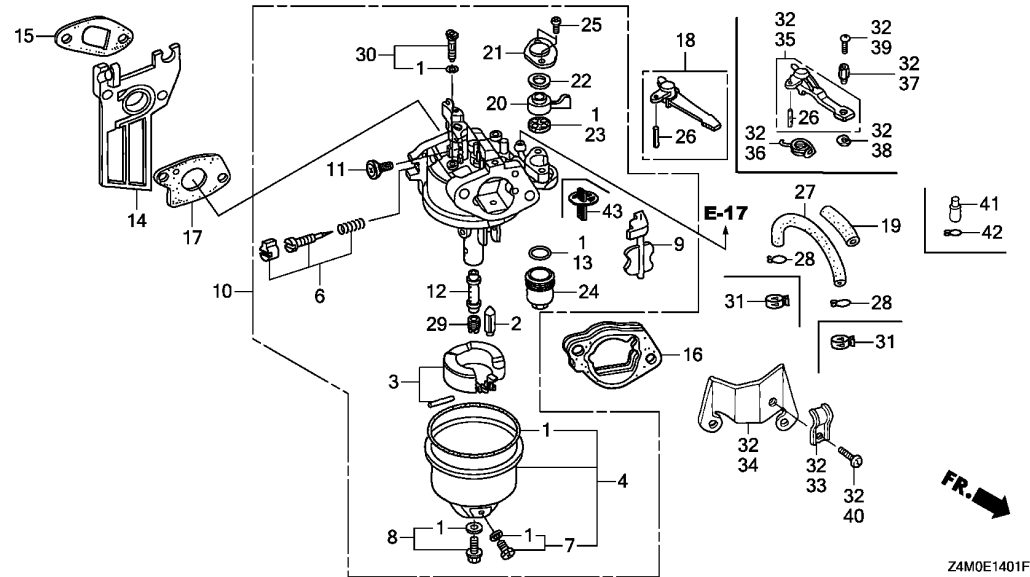
Ref. No.	Part No.	Description	Reqd. QTY				Serial No.	Parts catalogue code
			GX 160 UT1	GX 160 RT1	GX 160 UT2	GX 160 RT2		
15	16212-ZH8-800	PACKING, INSULATOR	1	1	1	1	-----	HH26, HHQ4, HX2, HX4, HXE8, HXU, LHN4, LHQ4, LX2, LX26, LX4, LXM2, LXU, PXU, QA2, QA26, QAX2, QAX4, QBC2, QBM2, QBT6, QCB2, QCL, QGR9, QH26, QHG4, QHQ4, QHQ4, QKA4, QMC8, QMD6, QME4, QMP4, QMX2, QMZ2, QNT, QPU, QW24, QWA4, QWW2, QWX2, QX2, QX26, QX4, QX7, QX9, QXC4, QXC9, QXE2, QXE4, QXE5, QXE8, QXF2, QXM2, QXP2, QXS2, QXU, QXW, QXWE, RH2, RHG4, RHQ4, RTB2, RX4, RXE2, RXP2, RXU, S1CY, SG22, SG24, SHQ4, SHQU, SHRY, SMC7, SMC9, SMW2, SSSX2, SWG4, SWX2, SX2, SX4, SX7, SX9, SXE4, SXE5, SXS, SXS2, SXS4, SXU, TCS2, TW24, TX2, TX26, TX4, TXC9, TXDU, TXU, UXU, VA2, VG29, VGE2, VGE4, VGE5, VHA9, VHH4, VMS4, VSD, VSD2, VSD7, VSD9, VWA2, VX2, VX4, VXE9, VXU1, VXW2, WKT2, WKT4, WKT6
16	16220-ZE1-020	SPACER COMP., CARBURETOR	1	1	1	1	-----	HH26, HHQ4, HX2, HX4, HXE8, HXU, LHN4, LHQ4, LX2, LX26, LX4, LXM2, LXU, PXU, QA2, QA26, QAX2, QAX4, QBC2, QBM2, QBT6, QCB2, QCL, QGR9, QH26, QHG4, QHQ4, QHQ4, QKA4, QMC8, QMD6, QME4, QMP4, QMX2, QMZ2, QNT, QPU, QW24, QWA4, QWW2, QWX2, QX2, QX26, QX4, QX7, QX9, QXC4, QXC9, QXE2, QXE4, QXE5, QXE8, QXF2, QXM2, QXP2, QXS2, QXU, QXW, QXWE, RH2, RHG4, RHQ4, RTB2, RX4, RXE2, RXP2, RXU, S1CY, SG22, SG24, SHQ4, SHQU, SHRY, SMC7, SMC9, SMW2, SSSX2, SWG4, SWX2, SX2, SX4, SX7, SX9, SXE4, SXE5, SXS, SXS2, SXS4, SXU, TCS2, TW24, TX2, TX26, TX4, TXC9, TXDU, TXU, UXU, VA2, VG29, VGE2, VGE4, VGE5, VHA9, VHH4, VMS4, VSD, VSD2, VSD7, VSD9, VWA2, VX2, VX4, VXE9, VXU1, VXW2, WKT2, WKT4, WKT6

Ref. No.	Part No.	Description	Reqd. QTY				Serial No.	Parts catalogue code
			GX 160 UT1	GX 160 RT1	GX 160 UT2	GX 160 RT2		
17	16221-ZH8-801	PACKING, CARBURETOR	1	1	1	1	-----	HH26, HHQ4, HX2, HX4, HXE8, HXU, LHN4, LHQ4, LX2, LX26, LX4, LXM2, LXU, PXU, QA2, QA26, QAX2, QAX4, QBC2, QBM2, QBT6, QCB2, QCL, QGR9, QH26, QHG4, QHQ4, QHQ4, QKA4, QMC8, QMD6, QME4, QMP4, QMX2, QM22, QNT, QPU, QW24, QWA4, QWW2, QWX2, QX2, QX26, QX4, QX7, QX9, QXC4, QXC9, QXE2, QXE4, QXE5, QXE8, QXF2, QXM2, QXP2, QXS2, QXU, QXW, QXWE, RH2, RHG4, RHQ4, RTB2, RX4, RXE2, RXP2, RXU, S1CY, SG22, SG24, SHQ4, SHQU, SHRY, SMC7, SMC9, SMW2, SXS2, SWG4, SWX2, SX2, SX4, SX7, SX9, SXE4, SXE5, SXS, SXS2, SXS4, SXU, TCS2, TW24, TX2, TX26, TX4, TXC9, TXDU, TXU, UXU, VA2, VG29, VGE2, VGE4, VGE5, VHA9, VHH4, VMS4, VSD, VSD2, VSD7, VSD9, VWA2, VX2, VX4, VXE9, VXU1, VXW2, WKT2, WKT4, WKT6
18	16610-ZE1-000	LEVER COMP., CHOKE(STD.)	1	1	1	1	-----	HH26, HHQ4, HX2, HX4, HXE8, HXU, LHN4, LHQ4, LX2, LX26, LX4, LXM2, LXU, PXU, QA2, QA26, QAX2, QAX4, QBC2, QBM2, QBT6, QCB2, QCL, QGR9, QH26, QHG4, QHQ4, QHQ4, QKA4, QMC8, QMD6, QME4, QMP4, QMX2, QM22, QNT, QPU, QW24, QWA4, QWW2, QWX2, QX2, QX26, QX4, QX7, QX9, QXC4, QXC9, QXE2, QXE4, QXE5, QXE8, QXF2, QXM2, QXP2, QXS2, QXU, RH2, RHG4, RHQ4, RTB2, RX4, RXE2, RXP2, RXU, S1CY, SG22, SG24, SHQ4, SHQU, SHRY, SMC7, SMC9, SMW2, SXS2, SWX2, SX2, SX4, SX7, SX9, SXE4, SXE5, SXS, SXS2, SXS4, SXU, TCS2, TW24, TX2, TX26, TX4, TXC9, TXDU, TXU, UXU, VA2, VG29, VGE2, VGE4, VGE5, VHA9, VHH4, VMS4, VSD, VSD2, VSD7, VSD9, VWA2, VX2, VX4, VXE9, VXU1, VXW2, WKT2, WKT4, WKT6
19	16854-ZG0-960	RUBBER, SUPPORTER	-	-	-	-	-----	QCL
	16854-ZH8-000	RUBBER, SUPPORTER (107MM)	-	-	-	-	-----	SWG4
20	16953-ZE1-812	LEVER, COCK	1	1	1	1	-----	HH26, HHQ4, HX2, HX4, HXE8, HXU, LHN4, LHQ4, LX2, LX26, LX4, LXM2, LXU, PXU, QA2, QA26, QAX2, QAX4, QBC2, QBM2, QBT6, QCB2, QCL, QGR9, QH26, QHG4, QHQ4, QHQ4, QKA4, QMC8, QMD6, QME4, QMP4, QMX2, QM22, QNT, QPU, QW24, QWA4, QWW2, QWX2, QX2, QX26, QX4, QX7, QX9, QXC4, QXC9, QXE2, QXE4, QXE5, QXE8, QXF2, QXM2, QXP2, QXS2, QXU, QXW, QXWE, RH2, RHG4, RHQ4, RTB2, RX4, RXE2, RXP2, RXU, S1CY, SG22, SG24, SHQ4, SHQU, SHRY, SMC7, SMC9, SMW2, SXS2, SWG4, SWX2, SX2, SX4, SX7, SX9, SXE4, SXE5, SXS, SXS2, SXS4, SXU, TCS2, TW24, TX2, TX26, TX4, TXC9, TXDU, TXU, UXU, VA2, VG29, VGE2, VGE4, VGE5, VHA9, VHH4, VMS4, VSD, VSD2, VSD7, VSD9, VWA2, VX2, VX4, VXE9, VXU1, VXW2, WKT2, WKT4, WKT6
21	16954-ZE1-812	PLATE, LEVER SETTING	1	1	1	1	-----	HH26, HHQ4, HX2, HX4, HXE8, HXU, LHN4, LHQ4, LX2, LX26, LX4, LXM2, LXU, PXU, QA2, QA26, QAX2, QAX4, QBC2, QBM2, QBT6, QCB2, QCL, QGR9, QH26, QHG4, QHQ4, QHQ4, QKA4, QMC8, QMD6, QME4, QMP4, QMX2, QM22, QNT, QPU, QW24, QWA4, QWW2, QWX2, QX2, QX26, QX4, QX7, QX9, QXC4, QXC9, QXE2, QXE4, QXE5, QXE8, QXF2, QXM2, QXP2, QXS2, QXU, QXW, QXWE, RH2, RHG4, RHQ4, RTB2, RX4, RXE2, RXP2, RXU, S1CY, SG22, SG24, SHQ4, SHQU, SHRY, SMC7, SMC9, SMW2, SXS2, SWG4, SWX2, SX2, SX4, SX7, SX9, SXE4, SXE5, SXS, SXS2, SXS4, SXU, TCS2, TW24, TX2, TX26, TX4, TXC9, TXDU, TXU, UXU, VA2, VG29, VGE2, VGE4, VGE5, VHA9, VHH4, VMS4, VSD, VSD2, VSD7, VSD9, VWA2, VX2, VX4, VXE9, VXU1, VXW2, WKT2, WKT4, WKT6
22	16956-ZE1-811	SPRING, COCK LEVER	1	1	1	1	-----	HH26, HHQ4, HX2, HX4, HXE8, HXU, LHN4, LHQ4, LX2, LX26, LX4, LXM2, LXU, PXU, QA2, QA26, QAX2, QAX4, QBC2, QBM2, QBT6, QCB2, QCL, QGR9, QH26, QHG4, QHQ4, QHQ4, QKA4, QMC8, QMD6, QME4, QMP4, QMX2, QM22, QNT, QPU, QW24, QWA4, QWW2, QWX2, QX2, QX26, QX4, QX7, QX9, QXC4, QXC9, QXE2, QXE4, QXE5, QXE8, QXF2, QXM2, QXP2, QXS2, QXU, QXW, QXWE, RH2, RHG4, RHQ4, RTB2, RX4, RXE2, RXP2, RXU, S1CY, SG22, SG24, SHQ4, SHQU, SHRY, SMC7, SMC9, SMW2, SXS2, SWG4, SWX2, SX2, SX4, SX7, SX9, SXE4, SXE5, SXS, SXS2, SXS4, SXU, TCS2, TW24, TX2, TX26, TX4, TXC9, TXDU, TXU, UXU, VA2, VG29, VGE2, VGE4, VGE5, VHA9, VHH4, VMS4, VSD, VSD2, VSD7, VSD9, VWA2, VX2, VX4, VXE9, VXU1, VXW2, WKT2, WKT4, WKT6



E-14-1

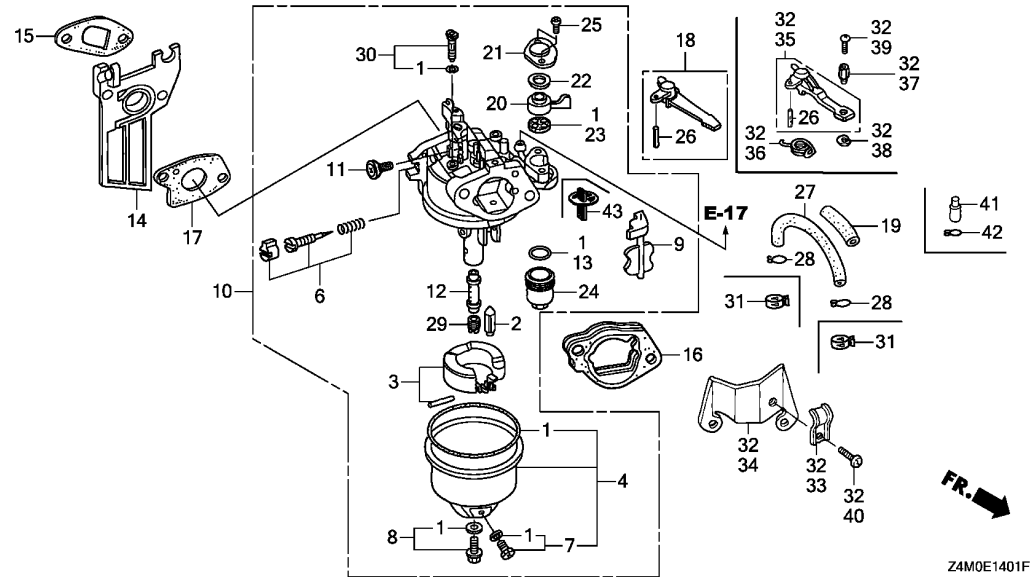
CARBURETOR(2)



Ref. No.	Part No.	Description	Reqd. QTY				Serial No.	Parts catalogue code
			GX 160 UT1	GX 160 RT1	GX 160 UT2	GX 160 RT2		
23	16957-ZE1-812	PACKING, FUEL COCK	1	1	1	1	-----	HH26, HHQ4, HX2, HX4, HXE8, HXU, LHN4, LHQ4, LX2, LX26, LX4, LXM2, LXU, PXU, QA2, QA26, QAX2, QAX4, QBC2, QBM2, QBT6, QCB2, QCL, QGR9, QH26, QHG4, QHQ4, QHQ4, QKA4, QMC8, QMD6, QME4, QMP4, QMX2, QMZ2, QNT, QPU, QW24, QWA4, QWW2, QWX2, QX2, QX26, QX4, QX7, QX9, QXC4, QXC9, QXE2, QXE4, QXE5, QXE8, QXF2, QXM2, QXP2, QXS2, QXU, QXW, QXWE, RH2, RHG4, RHQ4, RTB2, RX4, RXE2, RXP2, RXU, S1CY, SG22, SG24, SHQ4, SHQU, SHRY, SMC7, SMC9, SMW2, SSS2, SWG4, SWX2, SX2, SX4, SX7, SX9, SXE4, SXE5, SXS, SXS2, SXS4, SXU, TCS2, TW24, TX2, TX26, TX4, TXC9, TXDU, TXU, UXU, VA2, VG29, VGE2, VGE4, VGE5, VHA9, VHH4, VMS4, VSD, VSD2, VSD7, VSD9, VWA2, VX2, VX4, VXE9, VXU1, VXW2, WKT2, WKT4, WKT6
24	16967-ZE0-811	CUP, FUEL STRAINER	1	1	1	1	-----	HH26, HHQ4, HX2, HX4, HXE8, HXU, LHN4, LHQ4, LX2, LX26, LX4, LXM2, LXU, PXU, QA2, QA26, QAX2, QAX4, QBC2, QBM2, QBT6, QCB2, QCL, QGR9, QH26, QHG4, QHQ4, QHQ4, QKA4, QMC8, QMD6, QME4, QMP4, QMX2, QMZ2, QNT, QPU, QW24, QWA4, QWW2, QWX2, QX2, QX26, QX4, QX7, QX9, QXC4, QXC9, QXE2, QXE4, QXE5, QXE8, QXF2, QXM2, QXP2, QXS2, QXU, QXW, QXWE, RH2, RHG4, RHQ4, RTB2, RX4, RXE2, RXP2, RXU, S1CY, SG22, SG24, SHQ4, SHQU, SHRY, SMC7, SMC9, SMW2, SSS2, SWG4, SWX2, SX2, SX4, SX7, SX9, SXE4, SXE5, SXS, SXS2, SXS4, SXU, TCS2, TW24, TX2, TX26, TX4, TXC9, TXDU, TXU, UXU, VA2, VG29, VGE2, VGE4, VGE5, VHA9, VHH4, VMS4, VSD, VSD2, VSD7, VSD9, VWA2, VX2, VX4, VXE9, VXU1, VXW2, WKT2, WKT4, WKT6

Ref. No.	Part No.	Description	Reqd. QTY				Serial No.	Parts catalogue code
			GX 160 UT1	GX 160 RT1	GX 160 UT2	GX 160 RT2		
25	93500-03006-1H	SCREW, PAN, 3X6	2	2	2	2	-----	HH26, HHQ4, HX2, HX4, HXE8, HXU, LHN4, LHQ4, LX2, LX26, LX4, LXM2, LXU, PXU, QA2, QA26, QAX2, QAX4, QBC2, QBM2, QBT6, QCB2, QCL, QGR9, QH26, QHG4, QHQ4, QHQ4, QKA4, QMC8, QMD6, QME4, QMP4, QMX2, QMZ2, QNT, QPU, QW24, QWA4, QWW2, QWX2, QX2, QX26, QX4, QX7, QX9, QXC4, QXC9, QXE2, QXE4, QXE5, QXE8, QXF2, QXM2, QXP2, QXS2, QXU, QXW, QXWE, RH2, RHG4, RHQ4, RTB2, RX4, RXE2, RXP2, RXU, S1CY, SG22, SG24, SHQ4, SHQU, SHRY, SMC7, SMC9, SMW2, SSX2, SWG4, SWX2, SX2, SX4, SX7, SX9, SXE4, SXE5, SXS, SXS2, SXS4, SXU, TCS2, TW24, TX2, TX26, TX4, TXC9, TXDU, TXU, UXU, VA2, VG29, VGE2, VGE4, VGE5, VHA9, VHH4, VMS4, VSD, VSD2, VSD7, VSD9, VWA2, VX2, VX4, VXE9, VXU1, VXW2, WKT2, WKT4, WKT6
26	94305-20122	PIN, SPRING, 2X12	1	1	1	1	-----	HH26, HHQ4, HX2, HX4, HXE8, HXU, LHN4, LHQ4, LX2, LX26, LX4, LXM2, LXU, PXU, QA2, QA26, QAX2, QAX4, QBC2, QBM2, QBT6, QCB2, QCL, QGR9, QH26, QHG4, QHQ4, QHQ4, QKA4, QMC8, QMD6, QME4, QMP4, QMX2, QMZ2, QNT, QPU, QW24, QWA4, QWW2, QWX2, QX2, QX26, QX4, QX7, QX9, QXC4, QXC9, QXE2, QXE4, QXE5, QXE8, QXF2, QXM2, QXP2, QXS2, QXU, QXW, QXWE, RH2, RHG4, RHQ4, RTB2, RX4, RXE2, RXP2, RXU, S1CY, SG22, SG24, SHQ4, SHQU, SHRY, SMC7, SMC9, SMW2, SSX2, SWG4, SWX2, SX2, SX4, SX7, SX9, SXE4, SXE5, SXS, SXS2, SXS4, SXU, TCS2, TW24, TX2, TX26, TX4, TXC9, TXDU, TXU, UXU, VA2, VG29, VGE2, VGE4, VGE5, VHA9, VHH4, VMS4, VSD, VSD2, VSD7, VSD9, VWA2, VX2, VX4, VXE9, VXU1, VXW2, WKT2, WKT4, WKT6
27	95001-45300-40	TUBE, FUEL, 4.5X300 (95001-45001-60M)	1	-	-	-	-----	1699489 QCL
	91424-Z4J-811	TUBE, FUEL, 4.5X300(FKM)	1	-	-	-	-----	1699490 QCL
	91424-Z4J-812	-	1	-	1	-----	SWG4
28	95002-02080	CLIP, TUBE(B8)	2	-	-	-	-----	1699489 QCL
29	99101-ZH8-0650	JET, MAIN, #65	(1)	(1)	-	(1)	-----	HH26, HHQ4, HX2, HX4, HXE8, HXU, LHQ4, LX2, LX26, LX4, LXU, PXU, QA2, QA26, QAX2, QAX4, QBC2, QBM2, QBT6, QCB2, QCL, QGR9, QH26, QHG4, QHQ4, QHQ4, QKA4, QMC8, QMD6, QME4, QMP4, QMZ2, QNT, QPU, QW24, QWA4, QWW2, QWX2, QX2, QX26, QX4, QX7, QX9, QXE2, QXE4, QXE5, QXE8, QXF2, QXP2, QXS2, QXU, QXW, QXWE, RH2, RHG4, RHQ4, RTB2, RX4, RXE2, RXP2, RXU, SG22, SG24, SHQ4, SHQU, SMC7, SMC9, SSX2, SWG4, SWX2, SX2, SX4, SX7, SX9, SXE4, SXE5, SXS, SXS2, SXS4, SXU, TCS2, TW24, TX2, TX26, TX4, TXDU, TXU, UXU, VA2, VGE2, VGE4, VGE5, VHA9, VHH4, VMS4, VSD, VSD2, VSD7, VSD9, VWA2, VX2, VX4, VXE9, VXU1, VXW2, WKT2, WKT4, WKT6
	99101-ZH8-0680	JET, MAIN, #68	(1)	(1)	-	(1)	-----	HH26, HHQ4, HX2, HX4, HXE8, HXU, LHQ4, LX2, LX26, LX4, LXU, PXU, QA2, QA26, QAX2, QAX4, QBC2, QBM2, QBT6, QCB2, QCL, QGR9, QH26, QHG4, QHQ4, QHQ4, QKA4, QMC8, QMD6, QME4, QMP4, QMZ2, QNT, QPU, QW24, QWA4, QWW2, QWX2, QX2, QX26, QX4, QX7, QX9, QXE2, QXE4, QXE5, QXE8, QXF2, QXP2, QXS2, QXU, QXW, QXWE, RH2, RHG4, RHQ4, RTB2, RX4, RXE2, RXP2, RXU, SG22, SG24, SHQ4, SHQU, SMC7, SMC9, SSX2, SWG4, SWX2, SX2, SX4, SX7, SX9, SXE4, SXE5, SXS, SXS2, SXS4, SXU, TCS2, TW24, TX2, TX26, TX4, TXDU, TXU, UXU, VA2, VGE2, VGE4, VGE5, VHA9, VHH4, VMS4, VSD, VSD2, VSD7, VSD9, VWA2, VX2, VX4, VXE9, VXU1, VXW2, WKT2, WKT4, WKT6
	99101-ZH8-0700	JET, MAIN, #70	1	1	-	-	-----	HH26, HHQ4, HX2, HX4, HXE8, HXU, LHQ4, LX2, LX26, LX4, LXU, PXU, QA2, QA26, QAX2, QAX4, QBC2, QBM2, QBT6, QCB2, QCL, QGR9, QH26, QHG4, QHQ4, QHQ4, QKA4, QMC8, QMD6, QME4, QMP4, QMZ2, QNT, QPU, QW24, QWA4, QWW2, QWX2, QX2, QX26, QX4, QX7, QX9, QXE2, QXE4, QXE5, QXE8, QXF2, QXP2, QXS2, QXU, QXW, QXWE, RH2, RHG4, RHQ4, RTB2, RX4, RXE2, RXP2, RXU, SG22, SG24, SHQ4, SHQU, SMC7, SMC9, SSX2, SWG4, SWX2, SX2, SX4, SX7, SX9, SXE4, SXE5, SXS, SXS2, SXS4, SXU, TCS2, TW24, TX2, TX26, TX4, TXDU, TXU, UXU, VA2, VGE2, VGE4, VGE5, VHA9, VHH4, VMS4, VSD, VSD2, VSD7, VSD9, VWA2, VX2, VX4, VXE9, VXU1, VXW2, WKT2, WKT4, WKT6
	99101-ZH8-0620	JET, MAIN, #62	(1)	-	-	-	-----	QXC4, QXC9, TXC9, VG29





Ref. No.	Part No.	Description	Reqd. QTY				Serial No.	Parts catalogue code
			GX 160 UT1	GX 160 RT1	GX 160 UT2	GX 160 RT2		
29)	99101-ZH8-0680	JET, MAIN, #68	1	-	-	-	-----	QXC4,QXC9,TXC9,VG29
			-	-	1	1	-----	HH26,HHQ4,HX2,HX4,HXE8,LHN4,LHQ4,LX2,LX4,LXM2,PXU,QA2,QAX2,QAX4,QGR9,QH26,QHG4,QHQ4,QME4,QMP4,QPU,QWX2,QX2,QX4,QXE2,QXE5,QXE8,QXM2,QXS2,QXU,QXWE,RH2,RHG4,RHQ4,RX4,RXE2,RXU,SHQ4,SHRY,SMW2,SWG4,SWX2,SX4,SXE5,SXS4,SXU,TX2,TX4,TXDU,UXU,VA2,VGE4,VGE5,VHH4,VX2,VXU1,WKT2
	99101-ZH8-0620	JET, MAIN, #62	-	-	1	1	-----	HH26,HXE8,LHN4,LHQ4,LX2,LX4,PXU,QA2,QAX4,QGR9,QH26,QHG4,QHQ4,QME4,QMP4,QPU,QWX2,QX2,QX4,QXE2,QXE5,QXE8,QXS2,QXU,QXWE,RHG4,RXE2,RXU,SHQ4,SHRY,SMW2,SWG4,SWX2,SX4,SXE5,SXU,TX2,TX4,UXU,VA2,VGE4,VGE5,VHH4,VX2,VXU1
	99101-ZH8-0650	JET, MAIN, #65	-	-	(1)	-	-----	HH26,HX2,HXE8,LHN4,LHQ4,LX2,LX4,LXM2,PXU,QA2,QAX2,QAX4,QBC2,QBM2,QGR9,QH26,QHQ4,QMC8,QMD6,QME4,QMP4,QMX2,QPU,QWA4,QWX2,QX2,QX4,QX9,QXE2,QXE5,QXE8,QXM2,QXS2,QXU,QXWE,RH2,RXE2,RXU,S1CY,SHQ4,SHRY,SMC7,SMC9,SMW2,SSX2,SWX2,SX4,SX9,SXE5,SXS4,SXU,TX2,TX4,TXDU,UXU,VA2,VSD9,VX2,VXE9,VXU1,WKT2
	99101-ZH8-0680	JET, MAIN, #68	-	-	(1)	-	-----	HH26,HX2,LHN4,LHQ4,LX2,LX4,LXM2,PXU,QA2,QAX2,QAX4,QBC2,QBM2,QGR9,QH26,QHQ4,QMC8,QMD6,QME4,QMP4,QMX2,QPU,QWA4,QWX2,QX2,QX4,QX9,QXE2,QXE5,QXM2,QXS2,QXU,QXWE,RH2,RXE2,S1CY,SHQ4,SHRY,SMC7,SMC9,SMW2,SSX2,SWX2,SX4,SX9,SXE5,SXS4,SXU,TX2,TX4,TXDU,VA2,VSD9,VX2,VXE9,VXU1,WKT2
	99101-ZF5-0680	-	-	1	-	-----	HHQ4,HX4,HXE8,QXE8,RHQ4,RX4,RXU,UXU
	99101-ZF5-0700	JET, MAIN, #70	-	-	1	-	-----	HHQ4,HX4,HXE8,QXE8,RHQ4,RX4,RXU,UXU
	99101-ZH8-0700	-	-	1	-	-----	QBC2,QBM2,QMC8,QMD6,QMX2,QWA4,QX9,S1CY,SMC7,SMC9,SSX2,SX9,VSD9,VXE9

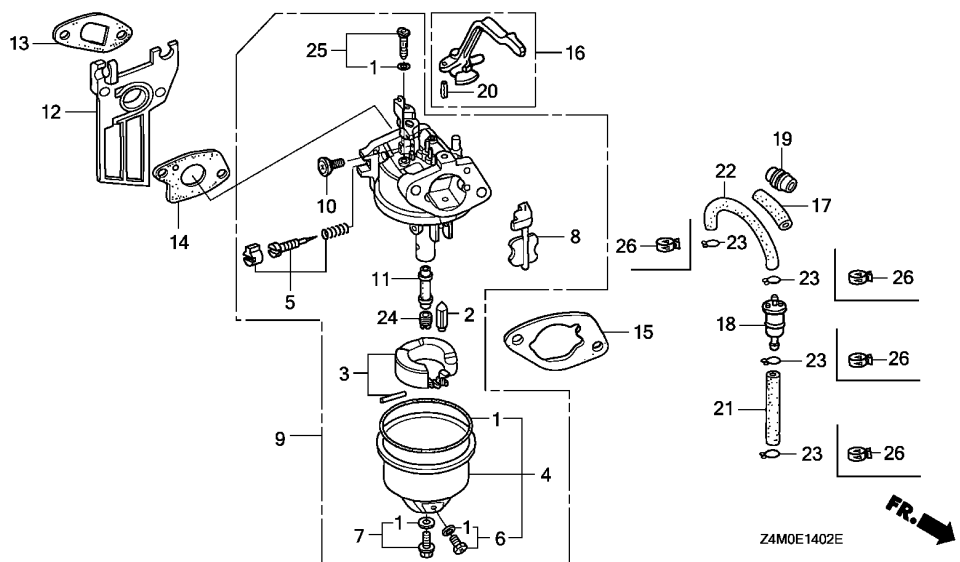
Ref. No.	Part No.	Description	Reqd. QTY				Serial No.	Parts catalogue code
			GX 160 UT1	GX 160 RT1	GX 160 UT2	GX 160 RT2		
30	99204-ZE0-0350	JET SET, PILOT, #35	1	1	1	1	-----	HH26, HHQ4, HX2, HX4, HXE8, HXU, LHN4, LHQ4, LX2, LX4, LXM2, LXU, PXU, QA2, QA26, QAX2, QAX4, QBC2, QBM2, QBT6, QCB2, QCL, QGR9, QH26, QHG4, QHQ4, QHQ4, QKA4, QMC8, QMD6, QME4, QMP4, QMX2, QMZ2, QNT, QPU, QW24, QWA4, QWW4, QWX2, QX2, QX26, QX4, QX7, QX9, QXE2, QXE4, QXE5, QXE8, QXF2, QXM2, QXP2, QXS2, QXU, QXW, QXWE, RH2, RHG4, RHQ4, RTB2, RX4, RXE2, RXP2, RXU, S1CY, SG22, SG24, SHQ4, SHQU, SHRY, SMC7, SMC9, SMW2, SSX2, SWG4, SWX2, SX2, SX4, SX7, SX9, SXE4, SXE5, SXS, SXS2, SXS4, SXU, TCS2, TW24, TX2, TX26, TX4, TXDU, TXU, UXU, VA2, VGE2, VGE4, VGE5, VHA9, VHH4, VMS4, VSD, VSD2, VSD7, VSD9, VVA2, VX2, VX4, VXE9, VXU1, VXXW2, WKT2, WKT4, WKT6, QXC4, QXC9, TXC9, VG29
	99204-ZE0-0400	JET SET, PILOT, #40	1	-	-	-	-----	
31	95002-40800-08	CLAMP, TUBE(D8)	2	-	-	-	1699490 -----	QCL SWG4
32	06164-ZE1-000	CHOKE KIT, REMOTE CONTROL ...	1	-	-	-	-----	QXW, QXWE
33	16582-883-300	HOLDER, CONTROL CABLE	1	1	1	1	-----	QXW, QXWE, SWG4
34	16598-ZE1-000	STAY, CHOKE CONTROL	1	1	1	1	-----	QXW, QXWE, SWG4
35	16610-ZE1-810	LEVER COMP., CHOKE(REMOTE) ..	1	1	1	1	-----	QXW, QXWE, SWG4
36	16615-ZE1-010	SPRING, RETURN	1	1	1	1	-----	QXW, QXWE, SWG4
37	16617-890-010	HOLDER, CABLE	1	1	1	1	-----	QXW, QXWE, SWG4
38	90605-230-000	CIRCLIP, 5MM	1	1	1	1	-----	QXW, QXWE, SWG4
39	93500-04008-0A	SCREW, PAN, 4X8	1	1	1	1	-----	QXW, QXWE, SWG4
40	93500-05008-0A	SCREW, PAN, 5X8	1	1	1	1	-----	QXW, QXWE, SWG4
41	16215-MV4-000	CAP, BOOST	-	-	1	-	-----	QMP4
42	95002-02070	CLIP, TUBE(B7)	-	-	1	-	-----	QMP4
43	16959-Z5T-901	FILTER, CUP	-	-	1	1	-----	HH26, HHQ4, HX2, HX4, HXE8, LHN4, LHQ4, LX2, LX4, LXM2, PXU, QA2, QAX2, QAX4, QBC2, QBM2, QGR9, QH26, QHG4, QHQ4, QMC8, QMD6, QME4, QMP4, QMX2, QPU, QWA4, QWX2, QX2, QX4, QX9, QXE2, QXE5, QXE8, QXM2, QXS2, QXU, QXWE, RH2, RHG4, RHQ4, RX4, RXE2, RXU, S1CY, SHQ4, SHRY, SMC7, SMC9, SMW2, SSX2, SWG4, SWX2, SX4, SX9, SXE5, SXS4, SXU, TX2, TX4, TXDU, UXU, VA2, VGE4, VGE5, VHH4, VSD9, VX2, VXE9, VXU1, WKT2



E-14-2

CARBURETOR(3)

G15



Ref. No.	L.O.N.	(Relative ref. Number) Description	F.R.T.
1	3111B1	GASKET SET, CARBURETOR (3)	0.3
2	3111E1	VALVE SET, FLOAT AND/OR FLOAT SET	0.3
4	3111A3	CHAMBER SET, FLOAT AND/OR GASKET, FLOAT CHAMBER	0.2
5	3111D7	SCREW SET, PILOT	0.2
9	3111F3	CARBURETOR (13)	0.2
12	3111C0	INSULATOR, CARBURETOR AND/OR PACKING, INSULATOR	0.2
14	3111C8	PACKING, CARBURETOR	0.2
15	3121D9	PACKING, AIR CLEANER	0.2
16	8101F9	LEVER, CARBURETOR CHOKE (21,22)	0.2
18	3101H8	STRAINER, FUEL (11)	0.2
24	3111C3	JET, MAIN	0.3

Ref. No.	Part No.	Description	Reqd. QTY				Serial No.	Parts catalogue code
			GX 160 UT1	GX 160 RT1	GX 160 UT2	GX 160 RT2		
1	16010-ZB1-015	GASKET SET	1	-	-	1	EMAN,VES6,VPM4,VPM5,VPM8,VPM9,VPMN,VPR4,VPR9,VS17,VS19,VSD1,VWS,VWW2,VWWN	
2	16011-ZE0-005	VALVE SET, FLOAT	1	-	-	1	EMAN,VES6,VPM4,VPM5,VPM8,VPM9,VPMN,VPR4,VPR9,VS17,VS19,VSD1,VWS,VWW2,VWWN	
3	16013-Z0S-B01	FLOAT SET	1	-	-	1	EMAN,VES6,VPM4,VPM5,VPM8,VPM9,VPMN,VPR4,VPR9,VS17,VS19,VSD1,VWS,VWW2,VWWN	
4	16015-ZE0-831 16015-Z4M-911	CHAMBER SET, FLOAT	1	-	-	-	VPM4,VPM5,VPM8,VPM9,VPMN,VPR4,VPR9,VS17,VS19,VSD1,VWW2,VWWN	
5	16016-ZH7-W01	SCREW SET, PILOT	1	-	-	1	EMAN,VES6,VPM4,VPM5,VPM8,VPM9,VPMN,VPR4,VPR9,VS17,VS19,VSD1,VWS,VWW2,VWWN	
6	16024-ZE1-811 16024-Z5T-901	SCREW SET, DRAIN	1	-	-	-	VPM4,VPM5,VPM8,VPM9,VPMN,VPR4,VPR9,VS17,VS19,VSD1,VWW2,VWWN	
7	16028-ZE0-005 16028-Z5T-901	SCREW SET	1	-	-	-	EMAN,VES6,VPM5,VS19,VWS,VWWN	
8	16044-ZE0-005	CHOKE SET	1	-	-	1	EMAN,VES6,VPM4,VPM5,VPM8,VPM9,VPMN,VPR4,VPR9,VS17,VS19,VSD1,VWS,VWW2,VWWN	
9	16100-Z4M-T41 16100-Z0T-T41 16100-Z4M-T41	CARBURETOR ASSY. (BE67Q A) CARBURETOR ASSY. (BE67K A) CARBURETOR ASSY. (BE67Q A)	1 1 1	- - -	- - -	- 1270227 1276293 1270228	VPMN,VWWN VS17,VS19,VSD1,VWW2 VPM4,VPM5,VPM8,VPM9,VPR4,VPR9 VS17,VS19,VSD1,VWW2	
10	16100-Z4M-T51 16124-ZE0-005	CARBURETOR ASSY. (BE67W A) SCREW, THROTTLE STOP	1 1	- -	- -	1 1	EMAN,VES6,VPM5,VS19,VWS,VWWN EMAN,VES6,VPM4,VPM5,VPM8,VPM9,VPMN,VPR4,VPR9,VS17,VS19,VSD1,VWS,VWW2,VWWN	
11	16166-ZH8-E80 16166-Z4M-T31	NOZZLE, MAIN	1	-	-	-	VPM4,VPM5,VPM8,VPM9,VPMN,VPR4,VPR9,VS17,VS19,VSD1,VWW2,VWWN	
12	16211-ZE1-000	INSULATOR, CARBURETOR	1	-	-	-	EMAN,VES6,VPM5,VS19,VWS,VWWN VPM4,VPM5,VPM8,VPM9,VPMN,VPR4,VPR9,VS17,VS19,VSD1,VWW2,VWWN	

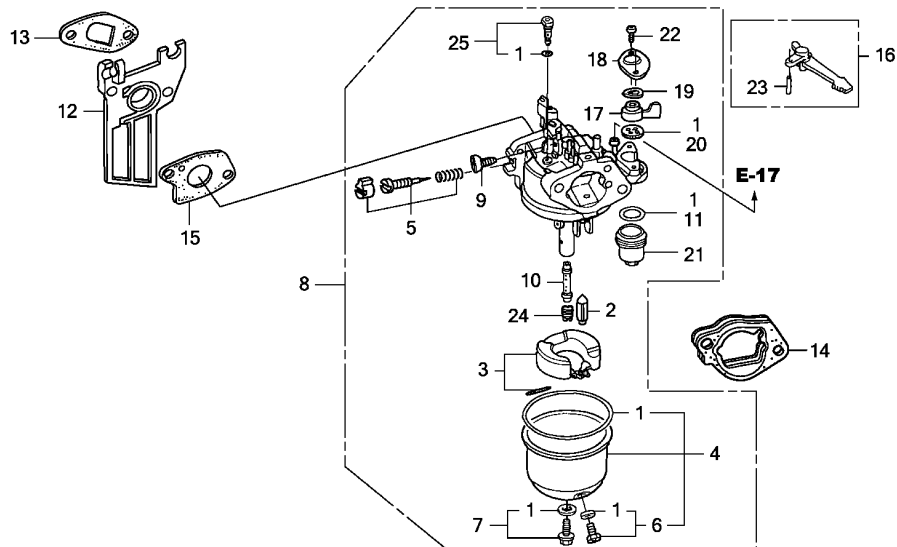
Ref. No.	Part No.	Description	Reqd. QTY				Serial No.	Parts catalogue code	
			GX 160 UT1	GX 160 RT1	GX 160 UT2	GX 160 RT2			
12)	16211-Z4M-000	INSULATOR, CARBURETOR	-	-	-	1	-----	EMAN,VES6,VPM5,VS19,VWS,VWWN	
13	16212-ZH8-800	PACKING, INSULATOR	1	-	-	1	-----	EMAN,VES6,VPM4,VPM5,VPM8,VPM9,VPMN,VPR4,VPR9,VS17,VS19,VSD1 VWS,VWW2,VWWN	
14	16221-ZH8-801	PACKING, CARBURETOR	1	-	-	1	-----	EMAN,VES6,VPM4,VPM5,VPM8,VPM9,VPMN,VPR4,VPR9,VS17,VS19,VSD1 VWS,VWW2,VWWN	
15	16269-ZE1-800	PACKING, AIR CLEANER	1	-	-	1	-----	EMAN,VES6,VPM4,VPM5,VPM8,VPM9,VPMN,VPR4,VPR9,VS17,VS19,VSD1 VWS,VWW2,VWWN	
16	16610-ZB2-000	LEVER COMP., CHOKE	1	-	-	1	-----	EMAN,VES6,VPM4,VPM5,VPM8,VPM9,VPMN,VPR4,VPR9,VS17,VS19,VSD1 VWS,VWW2,VWWN	
17	16854-ZH8-810	RUBBER, SUPPORTER(50MM)	1	-	-	-	-----	VPM4,VPM5,VPM8,VPM9,VPMN,VPR4,VPR9	
	16854-ZH8-000	RUBBER, SUPPORTER(107MM)	1	-	-	-	-----	VS17,VS19,VSD1	
18	16910-GB2-005	STRAINER COMP., FUEL	1	-	-	1	-----	VPM4,VPM5,VPM8,VPM9,VPMN,VPR4,VPR9	
19	90854-ZB3-000	RUBBER, FUEL(9X15X20)	1	-	-	1	-----	EMAN,VES6,VPM4,VPM5,VPM8,VPM9,VPMN,VPR4,VPR9,VWS	
20	94305-20122	PIN, SPRING, 2X12	1	-	-	1	-----	EMAN,VES6,VPM4,VPM5,VPM8,VPM9,VPMN,VPR4,VPR9,VS17,VS19,VSD1 VWS,VWW2,VWWN	
21	91424-Z4G-831	TUBE, FUEL, 4.5X35(FKM)	1	-	-	-	-----	VPMN	
	95001-45035-40	TUBE, FUEL, 4.5X35 (95001-45001-60M)	1	-	-	-	-----	1276293 VPM4,VPM5,VPM8,VPM9,VPR4,VPR9	
	91424-Z4G-831	TUBE, FUEL, 4.5X35(FKM)	1	-	-	-	1276294	-----	VPM4,VPM5,VPM8,VPM9,VPR4,VPR9
	91424-Z4G-832	-	-	-	1	-----	VPM5	
22	91424-Z4G-811	TUBE, FUEL, 4.5X110(FKM)	1	-	-	-	-----	VPMN	
	95001-45430-40	TUBE, FUEL, 4.5X430 (95001-45001-60M)	1	-	-	-	-----	1270227 VS17,VS19,VSD1	
	95001-45110-40	TUBE, FUEL, 4.5X110 (95001-45001-60M)	1	-	-	-	-----	1276293 VPM4,VPM5,VPM8,VPM9,VPR4,VPR9	
	91424-Z4J-821	TUBE, FUEL, 4.5X430(FKM)	1	-	-	-	1270228	-----	VS17,VS19,VSD1
	91424-Z4G-811	TUBE, FUEL, 4.5X110(FKM)	1	-	-	-	1276294	-----	VPM4,VPM5,VPM8,VPM9,VPR4,VPR9
	91424-Z4K-802	TUBE, FUEL, 4.5X180(FKM)	-	-	-	1	-----	EMAN,VWS	
	91424-Z4G-812	TUBE, FUEL, 4.5X110(FKM)	-	-	-	1	-----	VPM5	
	91424-Z4J-822	TUBE, FUEL, 4.5X430(FKM)	-	-	-	1	-----	VS19	
23	95002-02080	CLIP, TUBE(B8)	2	-	-	-	-----	1270227 VS17,VS19,VSD1	
			4	-	-	-	-----	1276293 VPM4,VPM5,VPM8,VPM9,VPR4,VPR9	
24	99101-ZH8-0700	JET, MAIN, #70	(1)	-	-	(1)	-----	EMAN,VES6,VPM4,VPM5,VPM8,VPM9,VPMN,VPR4,VPR9,VS17,VS19,VSD1 VWS,VWW2,VWWN	
	99101-ZH8-0720	JET, MAIN, #72	(1)	-	-	(1)	-----	EMAN,VES6,VPM4,VPM5,VPM8,VPM9,VPMN,VPR4,VPR9,VS17,VS19,VSD1 VWS,VWW2,VWWN	
	99101-ZH8-0750	JET, MAIN, #75	1	-	-	1	-----	EMAN,VES6,VPM4,VPM5,VPM8,VPM9,VPMN,VPR4,VPR9,VS17,VS19,VSD1 VWS,VWW2,VWWN	
25	99204-ZE0-0350	JET SET, PILOT, #35	1	-	-	1	-----	EMAN,VES6,VPM4,VPM5,VPM8,VPM9,VPMN,VPR4,VPR9,VS17,VS19,VSD1 VWS,VWW2,VWWN	
26	95002-40800-08	CLAMP, TUBE(D8)	4	-	-	-	-----	VPMN	
			2	-	-	-	1270228	-----	VS17,VS19,VSD1
			4	-	-	-	1276294	-----	VPM4,VPM5,VPM8,VPM9,VPR4,VPR9
			-	-	-	2	-----	EMAN,VES6,VS19,VWS	
			-	-	-	4	-----	VPM5	



E-14-3

CARBURETOR(4)

H 1



Z4M0E1403

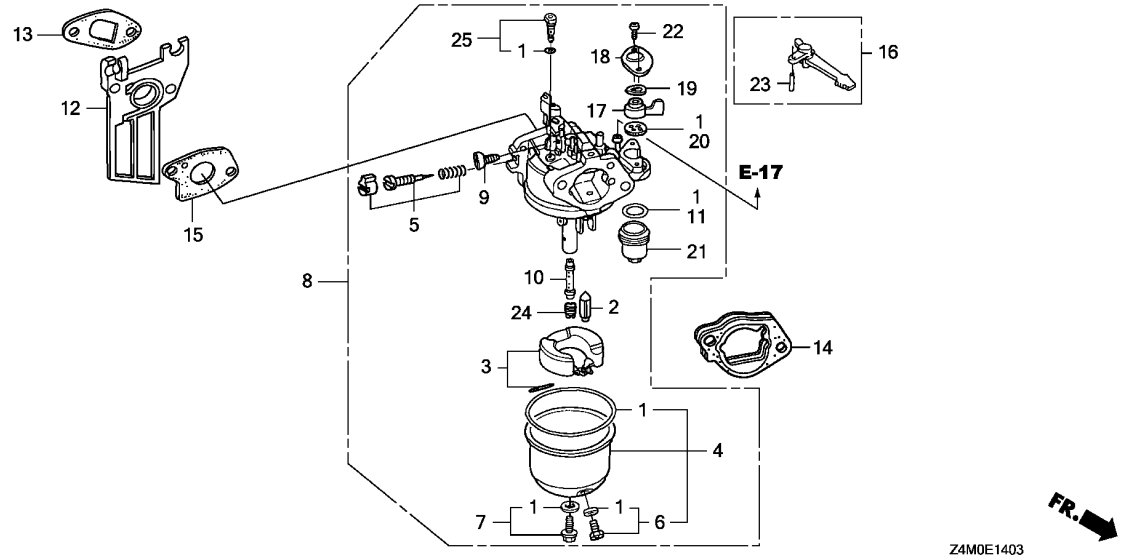
Ref. No.	L.O.N.	(Relative ref. Number) Description	F.R.T.
1	3111B1	GASKET SET, CARBURETOR (3)	0.3
2	3111E1	VALVE SET, FLOAT AND/OR FLOAT SET	0.3
4	3111A3	CHAMBER SET, FLOAT AND/OR GASKET, FLOAT CHAMBER	0.2
5	3111D7	SCREW SET, PILOT	0.2
8	3111F3	CARBURETOR (21)	0.2
11	3101L6	PACKING, FUEL STRAINER CUP (13)	0.2
12	3111C0	INSULATOR, CARBURETOR AND/OR PACKING, INSULATOR	0.2
14	3111D9	SPACER, CARBURETOR	0.2
15	3111C8	PACKING, CARBURETOR	0.2
16	8101F9	LEVER, CARBURETOR CHOKE (17,18,19)	0.2
20	3101C5	PACKING, FUEL COCK (10)	0.2
24	3111C3	JET, MAIN	0.3

Ref. No.	Part No.	Description	Reqd. QTY				Serial No.	Parts catalogue code
			GX 160 UT1	GX 160 RT1	GX 160 UT2	GX 160 RT2		
1	16010-ZE1-812	GASKET SET	1	-	-	-	-----	QNT4
2	16011-ZE0-005	VALVE SET, FLOAT	1	-	-	-	-----	QNT4
3	16013-Z0S-B01	FLOAT SET	1	-	-	-	-----	QNT4
4	16015-ZE0-831	CHAMBER SET, FLOAT	1	-	-	-	-----	QNT4
5	16016-ZH7-W01	SCREW SET, PILOT	1	-	-	-	-----	QNT4
6	16024-ZE1-811	SCREW SET, DRAIN	1	-	-	-	-----	QNT4
7	16028-ZE0-005	SCREW SET	1	-	-	-	-----	QNT4
8	16100-Z4X-821	CARBURETOR ASSY.(BE54A A)	1	-	-	-	-----	QNT4
9	16124-ZE0-005	SCREW, THROTTLE STOP	1	-	-	-	-----	QNT4
10	16166-ZH8-800	NOZZLE, MAIN	1	-	-	-	-----	QNT4
11	16173-001-004	PACKING, FUEL STRAINER CUP	1	-	-	-	-----	QNT4
12	16211-ZE1-000	INSULATOR, CARBURETOR	1	-	-	-	-----	QNT4
13	16212-ZH8-800	PACKING, INSULATOR	1	-	-	-	-----	QNT4
14	16220-ZE1-020	SPACER COMP., CARBURETOR	1	-	-	-	-----	QNT4
15	16221-ZH8-801	PACKING, CARBURETOR	1	-	-	-	-----	QNT4
16	16610-ZE1-000	LEVER COMP., CHOKE(STD.)	1	-	-	-	-----	QNT4
17	16953-ZE1-812	LEVER, COCK	1	-	-	-	-----	QNT4
18	16954-ZE1-812	PLATE, LEVER SETTING	1	-	-	-	-----	QNT4
19	16956-ZE1-811	SPRING, COCK LEVER	1	-	-	-	-----	QNT4
20	16957-ZE1-812	PACKING, FUEL COCK	1	-	-	-	-----	QNT4
21	16967-ZE0-811	CUP, FUEL STRAINER	1	-	-	-	-----	QNT4
22	93500-03006-1H	SCREW, PAN, 3X6	2	-	-	-	-----	QNT4
23	94305-20122	PIN, SPRING, 2X12	1	-	-	-	-----	QNT4
24	99101-ZH8-0620	JET, MAIN, #62	(1)	-	-	-	-----	QNT4
	99101-ZH8-0650	JET, MAIN, #65	(1)	-	-	-	-----	QNT4

E-14-3

CARBURETOR(4)

H 2

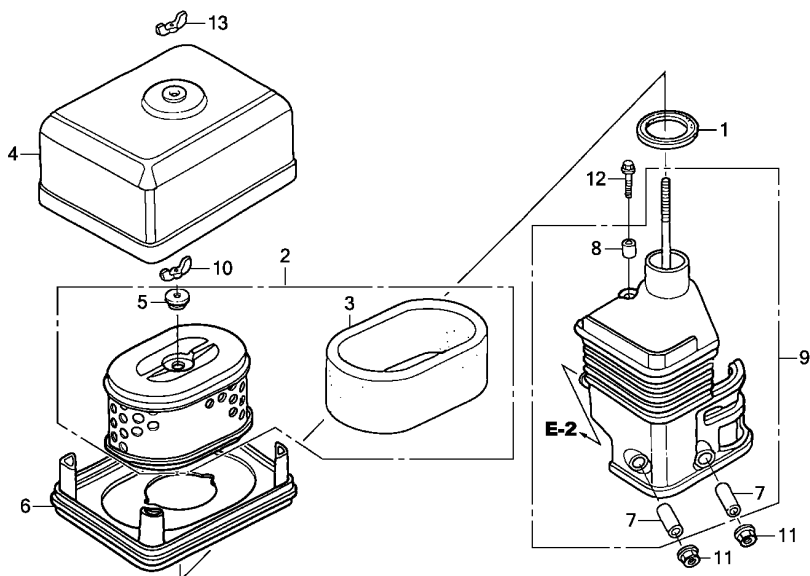


Ref. No.	Part No.	Description	Reqd. QTY				Serial No.	Parts catalogue code
			GX 160	GX 160	GX 160	GX 160		
24)	99101-ZH8-0680	JET, MAIN, #68	1	-	-	-	-----	QNT4
25	99204-ZE0-0380	JET SET, PILOT, #38	1	-	-	-	-----	QNT4

2

E-15

AIR CLEANER(1)



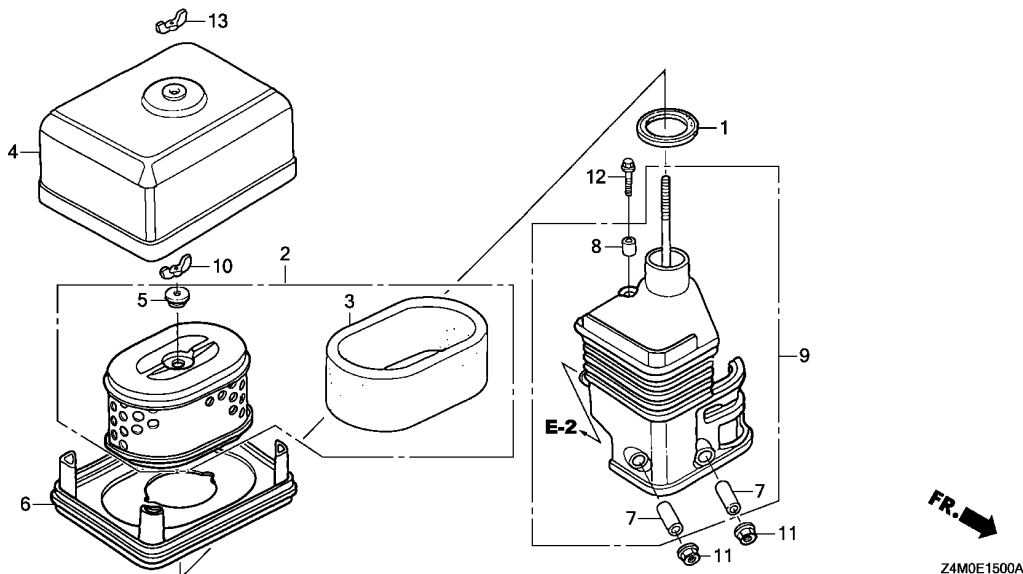
Ref. No.	L.O.N.	(Relative ref. Number) Description	F.R.T.
1	3121E1	PACKING, ELBOW	0.1
2	3121B8	ELEMENT, AIR CLEANER	0.1
		.INCLUDES: Air cleaner element -inspection	
3	3121C1	FILTER, OUTER	0.1
		.INCLUDES: Outer filter-inspection	
6	3121D6	NOSE, SILENCER	0.1
9	3121B4	ELBOW, AIR CLEANER	0.1

2

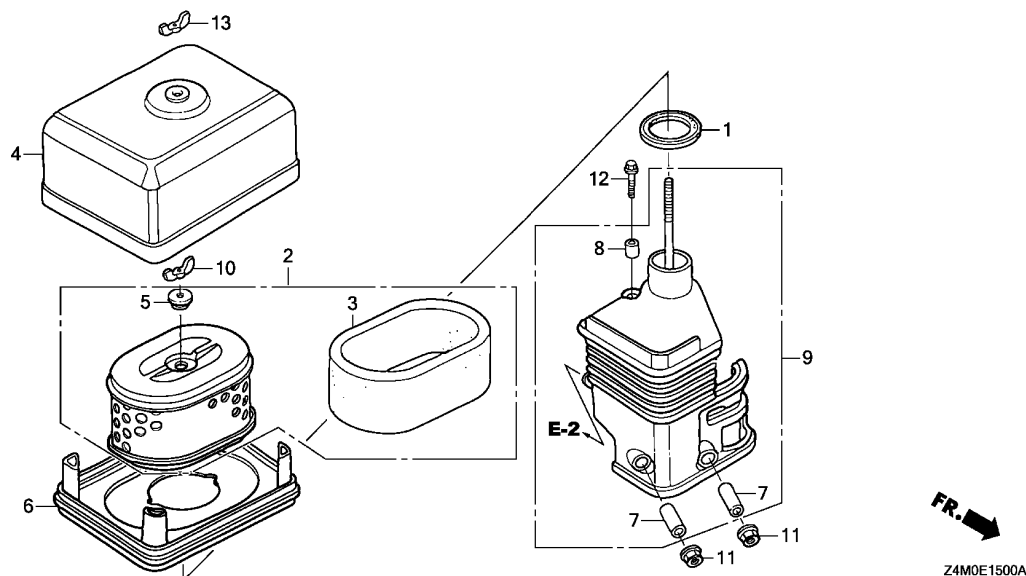
Ref. No.	Part No.	Description	Reqd. QTY				Serial No.	Parts catalogue code
			GX 160 UT1	GX 160 RT1	GX 160 UT2	GX 160 RT2		
1	16271-ZE1-000	PACKING, ELBOW	1	1	1	1	-----	HH26, HHQ4, HX2, HX4, HXE8, HXU, LHN4, LHQ4, LX2, LX26, LX4, LXM2, LXU, PXU QAX2, QAX4, QBC2, QBM2, QBT6, QCB2, QCL, QGR9, QH26, QHG4, QHQ4, QHQU QKA4, QMC8, QMD6, QMX2, QMZ2, QNT, QPU, QW24, QWA4, QWW2, QWX2, QX2, QX26 QX4, QX7, QX9, QXE2, QXE4, QXE5, QXE8, QXF2, QXM2, QXP2, QXS2, QXU, QXW QXWE, RH2, RHG4, RHQ4, RTB2, RX4, RXE2, RXP2, RXU, S1CY, SG22, SG24, SHQ4 SHQU, SMC7, SMC9, SMW2, SSS2, SWG4, SWX2, SX2, SX4, SX7, SX9, SXE4, SXE5 SXS, SXS2, SXS4, SXU, TCS2, TW24, TX2, TX26, TX4, TXDU, TXU, UXU, VA2, VG24 VGE2, VGE4, VGE5, VHA9, VHH4, VMS4, VSD, VSD2, VSD7, VSD9, VWA2, VX2, VX4 VXE9, VXU1, VXW2
2	17210-ZE1-822	ELEMENT, AIR CLEANER(DUAL) ..	1	1	1	1	-----	HH26, HHQ4, HX2, HX4, HXE8, HXU, LHN4, LHQ4, LX2, LX26, LX4, LXM2, LXU, PXU QAX2, QAX4, QBC2, QBM2, QBT6, QCB2, QCL, QGR9, QH26, QHG4, QHQ4, QHQU QKA4, QMC8, QMD6, QMX2, QMZ2, QNT, QPU, QW24, QWA4, QWW2, QWX2, QX2, QX26 QX4, QX7, QX9, QXE2, QXE4, QXE5, QXE8, QXF2, QXM2, QXP2, QXS2, QXU, QXW QXWE, RH2, RHG4, RHQ4, RTB2, RX4, RXE2, RXP2, RXU, S1CY, SG22, SG24, SHQ4 SHQU, SMC7, SMC9, SMW2, SSS2, SWG4, SWX2, SX2, SX4, SX7, SX9, SXE4, SXE5 SXS, SXS2, SXS4, SXU, TCS2, TW24, TX2, TX26, TX4, TXDU, TXU, UXU, VA2, VG24 VGE2, VGE4, VGE5, VHA9, VHH4, VMS4, VSD, VSD2, VSD7, VSD9, VWA2, VX2, VX4 VXE9, VXU1, VXW2
3	17218-ZE1-821	FILTER, OUTER	1	1	1	1	-----	HH26, HHQ4, HX2, HX4, HXE8, HXU, LHN4, LHQ4, LX2, LX26, LX4, LXM2, LXU, PXU QAX2, QAX4, QBC2, QBM2, QBT6, QCB2, QCL, QGR9, QH26, QHG4, QHQ4, QHQU QKA4, QMC8, QMD6, QMX2, QMZ2, QNT, QPU, QW24, QWA4, QWW2, QWX2, QX2, QX26 QX4, QX7, QX9, QXE2, QXE4, QXE5, QXE8, QXF2, QXM2, QXP2, QXS2, QXU, QXW QXWE, RH2, RHG4, RHQ4, RTB2, RX4, RXE2, RXP2, RXU, S1CY, SG22, SG24, SHQ4 SHQU, SMC7, SMC9, SMW2, SSS2, SWG4, SWX2, SX2, SX4, SX7, SX9, SXE4, SXE5 SXS, SXS2, SXS4, SXU, TCS2, TW24, TX2, TX26, TX4, TXDU, TXU, UXU, VA2, VG24 VGE2, VGE4, VGE5, VHA9, VHH4, VMS4, VSD, VSD2, VSD7, VSD9, VWA2, VX2, VX4 VXE9, VXU1, VXW2

Ref. No.	Part No.	Description	Reqd. QTY				Serial No.	Parts catalogue code
			GX 160 UT1	GX 160 RT1	GX 160 UT2	GX 160 RT2		
4	17230-ZE1-820	COVER, AIR CLEANER(DUAL)	1	1	-	-	-----	HH26, HHQ4, HX2, HX4, HXE8, HXU, LHQ4, LX2, LX26, LX4, LXU, PXU, QAX2, QAX4, QBC2, QBM2, QBT6, QCB2, QCL, QGR9, QH26, QHG4, QHQ4, QHQ4, QKA4, QMC8, QMD6, QMZ2, QNT, QPU, QW24, QWA4, QWW2, QWX2, QX2, QX26, QX4, QX7, QX9, QXE2, QXE4, QXE5, QXE8, QXF2, QXP2, QXS2, QXU, QXW, QXWE, RH2, RHG4, RHQ4, RTB2, RX4, RXE2, RXP2, RXU, SG22, SG24, SHQ4, SHQU, SMC7, SMC9, SSSX2, SWG4, SWX2, SX2, SX4, SX7, SX9, SXE4, SXE5, SXS, SXS2, SXS4, SXU, TCS2, TW24, TX2, TX26, TX4, TXDU, TXU, UXU, VA2, VG24, VGE5, VHA9, VHH4, VMS4, VSD, VSD2, VSD7, VSD9, VWA2, VX2, VX4, VXE9, VXU1, VXW2
	17231-Z4M-000	COVER, AIR CLEANER	-	-	1	1	-----	HH26, HHQ4, HX2, HX4, HXE8, LHN4, LHQ4, LX2, LX4, LXM2, PXU, QAX2, QAX4, QBC2, QBM2, QGR9, QH26, QHG4, QHQ4, QMC8, QMD6, QMX2, QPU, QWA4, QWX2, QX2, QX4, QX9, QXE2, QXE5, QXE8, QXM2, QXS2, QXU, QXWE, RH2, RHG4, RHQ4, RX4, RXE2, RXU, S1CY, SHQ4, SMC7, SMC9, SMMW2, SSSX2, SWG4, SWX2, SX4, SX9, SXE5, SXS4, SXU, TX2, TX4, TXDU, UXU, VA2, VHH4, VSD9, VX2, VXE9, VXU1, VXW2
	17230-ZE1-820	COVER, AIR CLEANER(DUAL)	-	-	-	1	-----	VGE5
5	17232-891-000	GROMMET, AIR CLEANER	1	1	1	1	-----	HH26, HHQ4, HX2, HX4, HXE8, HXU, LHN4, LHQ4, LX2, LX26, LX4, LXM2, LXU, PXU, QAX2, QAX4, QBC2, QBM2, QGR9, QH26, QHG4, QHQ4, QMC8, QMD6, QMX2, QPU, QWA4, QWX2, QX2, QX4, QX7, QX9, QXE2, QXE4, QXE5, QXE8, QXF2, QXM2, QXP2, QXS2, QXU, QXW, QXWE, RH2, RHG4, RHQ4, RTB2, RX4, RXE2, RXP2, RXU, S1CY, SG22, SG24, SHQ4, SHQU, SMC7, SMC9, SMMW2, SSSX2, SWG4, SWX2, SX2, SX4, SX7, SX9, SXE4, SXE5, SXS, SXS2, SXS4, SXU, TCS2, TW24, TX2, TX26, TX4, TXDU, TXU, UXU, VA2, VG24, VGE2, VGE4, VGE5, VHA9, VHH4, VMS4, VSD, VSD2, VSD7, VSD9, VWA2, VX2, VX4, VXE9, VXU1, VXW2
6	17235-ZE1-831	NOSE, SILENCER	1	-	-	1	-----	QBC2, QBM2, QMC8, QMD6, QMZ2, QNT, QWA4, QX7, QX9, SG22, SG24, SMC7, SMC9, SSSX2, SX7, SX9, SXS, VG24, VGE5, VHA9, VMS4, VSD2, VSD7, VSD9, VXE9
	17235-ZE1-860	-	1	-	-	-----	
	17235-Z4M-830	-	-	1	-	-----	QBC2, QBM2, QMC8, QMD6, QMX2, QWA4, QX9, S1CY, SMC7, SMC9, SSSX2, SX9, VSD9, VXE9
	17235-Z4M-860	-	-	-	1	-----	RHG4, SWG4
7	17238-ZE7-010	COLLAR, AIR CLEANER	2	2	2	2	-----	HH26, HHQ4, HX2, HX4, HXE8, HXU, LHN4, LHQ4, LX2, LX26, LX4, LXM2, LXU, PXU, QAX2, QAX4, QBC2, QBM2, QBT6, QCB2, QCL, QGR9, QH26, QHG4, QHQ4, QHQ4, QKA4, QMC8, QMD6, QMX2, QMZ2, QNT, QPU, QW24, QWA4, QWW2, QWX2, QX2, QX26, QX4, QX7, QX9, QXE2, QXE4, QXE5, QXE8, QXF2, QXM2, QXP2, QXS2, QXU, QXW, QXWE, RH2, RHG4, RHQ4, RTB2, RX4, RXE2, RXP2, RXU, S1CY, SG22, SG24, SHQ4, SHQU, SMC7, SMC9, SMMW2, SSSX2, SWG4, SWX2, SX2, SX4, SX7, SX9, SXE4, SXE5, SXS, SXS2, SXS4, SXU, TCS2, TW24, TX2, TX26, TX4, TXDU, TXU, UXU, VA2, VG24, VGE2, VGE4, VGE5, VHA9, VHH4, VMS4, VSD, VSD2, VSD7, VSD9, VWA2, VX2, VX4, VXE9, VXU1, VXW2
8	17239-ZE1-000	COLLAR B, AIR CLEANER	1	1	1	1	-----	HH26, HHQ4, HX2, HX4, HXE8, HXU, LHN4, LHQ4, LX2, LX26, LX4, LXM2, LXU, PXU, QAX2, QAX4, QBC2, QBM2, QBT6, QCB2, QCL, QGR9, QH26, QHG4, QHQ4, QHQ4, QKA4, QMC8, QMD6, QMX2, QMZ2, QNT, QPU, QW24, QWA4, QWW2, QWX2, QX2, QX26, QX4, QX7, QX9, QXE2, QXE4, QXE5, QXE8, QXF2, QXM2, QXP2, QXS2, QXU, QXW, QXWE, RH2, RHG4, RHQ4, RTB2, RX4, RXE2, RXP2, RXU, S1CY, SG22, SG24, SHQ4, SHQU, SMC7, SMC9, SMMW2, SSSX2, SWG4, SWX2, SX2, SX4, SX7, SX9, SXE4, SXE5, SXS, SXS2, SXS4, SXU, TCS2, TW24, TX2, TX26, TX4, TXDU, TXU, UXU, VA2, VG24, VHA9, VHH4, VMS4, VSD, VSD2, VSD7, VSD9, VWA2, VX2, VX4, VXE9, VXU1, VXW2
9	17410-ZE1-020	ELBOW COMP., AIR CLEANER	1	1	-	-	-----	HH26, HHQ4, HX2, HX4, HXE8, HXU, LHQ4, LX2, LX26, LX4, LXU, PXU, QAX2, QAX4, QBC2, QBM2, QBT6, QCB2, QCL, QGR9, QH26, QHG4, QHQ4, QHQ4, QKA4, QMC8, QMD6, QMZ2, QNT, QPU, QW24, QWA4, QWW2, QWX2, QX2, QX26, QX4, QX7, QX9, QXE2, QXE4, QXE5, QXE8, QXF2, QXP2, QXS2, QXU, QXW, QXWE, RH2, RHG4, RHQ4, RTB2, RX4, RXE2, RXP2, RXU, SG22, SG24, SHQ4, SHQU, SMC7, SMC9, SSSX2, SWG4, SWX2, SX2, SX4, SX7, SX9, SXE4, SXE5, SXS, SXS2, SXS4, SXU, TCS2, TW24, TX2, TX26, TX4, TXDU, TXU, UXU, VA2, VG24, VHA9, VHH4, VMS4, VSD, VSD2, VSD7, VSD9, VWA2, VX2, VX4, VXE9, VXU1, VXW2



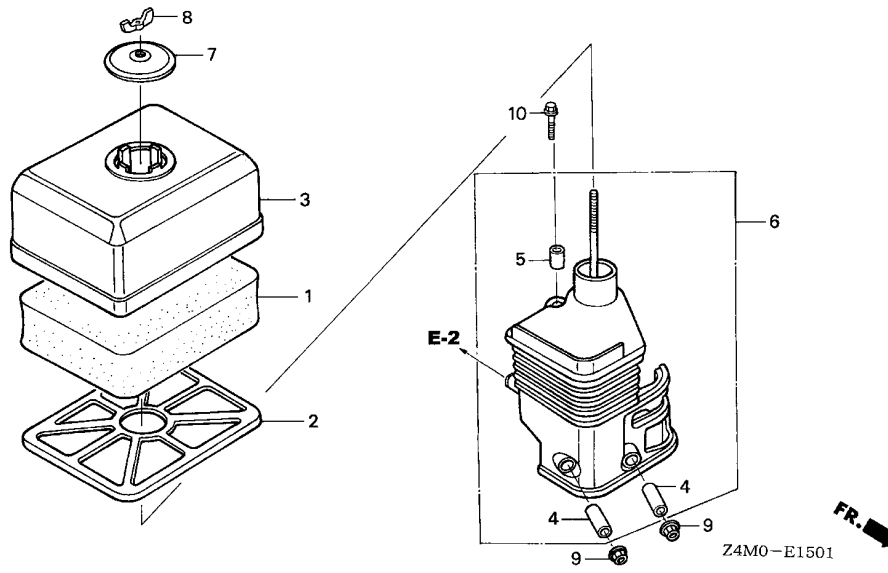


Ref. No.	Part No.	Description	Reqd. QTY				Serial No.	Parts catalogue code
			GX 160 UT1	GX 160 RT1	GX 160 UT2	GX 160 RT2		
(9)	17410-Z4M-000	ELBOW COMP., AIR CLEANER	-	-	1	1	-----	HH26, HHQ4, HX2, HX4, HXE8, LHN4, LHQ4, LX2, LX4, LXM2, PXU, QAX2, QAX4, QBC2, QBM2, QGR9, QH26, QHG4, QHQ4, QMC8, QMD6, QMX2, QPU, QWA4, QWX2, QX2, QX4, QX9, QXE2, QXE5, QXE8, QXM2, QXS2, QXU, QXWE, RH2, RHG4, RHQ4, RX4, RXE2, RXU, S1CY, SHQ4, SMC7, SMC9, SMW2, SSSX2, SWG4, SWX2, SX4, SX9, SXE5, SXS4, SXU, TX2, TX4, TXDU, UXU, VA2, VHH4, VSD9, VX2, VXE9, VXU1
10	90325-044-000	NUT, TOOL BOX SETTING	1	1	1	1	-----	HH26, HHQ4, HX2, HX4, HXE8, HXU, LHN4, LHQ4, LX2, LX26, LX4, LXM2, LXU, PXU, QAX2, QAX4, QBC2, QBM2, QBT6, QCB2, QCL, QGR9, QH26, QHG4, QHQ4, QHQU, QKA4, QMC8, QMD6, QMX2, QMZ2, QNT, QPU, QW24, QWA4, QWW2, QWX2, QX2, QX26, QX4, QX7, QX9, QXE2, QXE4, QXE5, QXE8, QXF2, QXM2, QXP2, QXS2, QXU, QXW, QXWE, RH2, RHG4, RHQ4, RTB2, RX4, RXE2, RXP2, RXU, S1CY, SG22, SG24, SHQ4, SHQU, SMC7, SMC9, SMW2, SSSX2, SWG4, SWX2, SX2, SX4, SX7, SX9, SXE4, SXE5, SXS, SXS2, SXS4, SXU, TCS2, TW24, TX2, TX26, TX4, TXDU, TXU, UXU, VA2, VG24, VGE5, VHA9, VHH4, VMS4, VSD, VSD2, VSD7, VSD9, VWA2, VX2, VX4, VXE9, VXU1, VXXW2
11	94050-06000	NUT, FLANGE, 6MM	2	2	2	-	-----	HH26, HHQ4, HX2, HX4, HXE8, HXU, LHN4, LHQ4, LX2, LX26, LX4, LXM2, LXU, PXU, QAX2, QAX4, QBC2, QBM2, QBT6, QCB2, QCL, QGR9, QH26, QHG4, QHQ4, QHQU, QKA4, QMC8, QMD6, QMX2, QMZ2, QNT, QPU, QW24, QWA4, QWW2, QWX2, QX2, QX26, QX4, QX7, QX9, QXE2, QXE4, QXE5, QXE8, QXF2, QXM2, QXP2, QXS2, QXU, QXW, QXWE, RH2, RHG4, RHQ4, RTB2, RX4, RXE2, RXP2, RXU, S1CY, SG22, SG24, SHQ4, SHQU, SMC7, SMC9, SMW2, SSSX2, SWG4, SWX2, SX2, SX4, SX7, SX9, SXE4, SXE5, SXS, SXS2, SXS4, SXU, TCS2, TW24, TX2, TX26, TX4, TXDU, TXU, UXU, VA2, VG24, VGE2, VGE4, VGE5, VHA9, VHH4, VMS4, VSD, VSD2, VSD7, VSD9, VWA2, VX2, VX4, VXE9, VXU1, VXXW2
			-	-	-	2	-----	QHG4, RHG4, SWG4, VHH4



Ref. No.	Part No.	Description	Reqd. QTY				Serial No.	Parts catalogue code
			GX 160 UT1	GX 160 RT1	GX 160 UT2	GX 160 RT2		
12	95701-06020-00	BOLT, FLANGE, 6X20	1	1	1	1	-----	HH26, HHQ4, HX2, HX4, HXE8, HXU, LHN4, LHQ4, LX2, LX26, LX4, LXM2, LXU, PXU, QAX2, QAX4, QBC2, QBM2, QBT6, QCB2, QCL, QGR9, QH26, QHG4, QHQ4, QHQU, QKA4, QMC8, QMD6, QMX2, QMZ2, QNT, QPU, QW24, QWA4, QWW2, QWX2, QX2, QX26, QX4, QX7, QX9, QXE2, QXE4, QXE5, QXE8, QXF2, QXM2, QXP2, QXS2, QXU, QXW, QXWE, RH2, RHG4, RHQ4, RTB2, RX4, RXE2, RXP2, RXU, S1CY, SG22, SG24, SHQ4, SHQU, SMC7, SMC9, SMW2, SSSX2, SWG4, SWX2, SX2, SX4, SX7, SX9, SXE4, SXE5, SXS, SXS2, SXS4, SXU, TCS2, TW24, TX2, TX26, TX4, TXDU, TXU, UXU, VA2, VG24, VHA9, VHH4, VMS4, VSD, VSD2, VSD7, VSD9, VWA2, VX2, VX4, VXE9, VXU1, VXW2
13	90325-044-000	NUT, TOOL BOX SETTING	1	1	-	-	-----	HH26, HHQ4, HX2, HX4, HXE8, HXU, LHQ4, LX2, LX26, LX4, LXU, PXU, QAX2, QAX4, QBC2, QBM2, QBT6, QCB2, QCL, QGR9, QH26, QHG4, QHQ4, QHQU, QKA4, QMC8, QMD6, QMZ2, QNT, QPU, QW24, QWA4, QWW2, QWX2, QX2, QX26, QX4, QX7, QX9, QXE2, QXE4, QXE5, QXE8, QXF2, QXP2, QXS2, QXU, QXW, QXWE, RH2, RHG4, RHQ4, RTB2, RX4, RXE2, RXP2, RXU, SG22, SG24, SHQ4, SHQU, SMC7, SMC9, SSSX2, SWG4, SWX2, SX2, SX4, SX7, SX9, SXE4, SXE5, SXS, SXS2, SXS4, SXU, TCS2, TW24, TX2, TX26, TX4, TXDU, TXU, UXU, VA2, VG24, VGE5, VHA9, VHH4, VMS4, VSD, VSD2, VSD7, VSD9, VWA2, VX2, VX4, VXE9, VXU1, VXW2
	90300-21V-000	NUT, AIR CLEANER	-	-	1	1	-----	HH26, HHQ4, HX2, HX4, HXE8, LHN4, LHQ4, LX2, LX4, LXM2, PXU, QAX2, QAX4, QBC2, QBM2, QGR9, QH26, QHG4, QHQ4, QMC8, QMD6, QMX2, QPU, QWA4, QWX2, QX2, QX4, QX9, QXE2, QXE5, QXE8, QXM2, QXS2, QXU, QXWE, RH2, RHG4, RHQ4, RX4, RXE2, RXU, S1CY, SHQ4, SMC7, SMC9, SMW2, SSSX2, SWG4, SWX2, SX4, SX9, SXE5, SXS4, SXU, TX2, TX4, TXDU, UXU, VA2, VHH4, VSD9, VX2, VXE9, VXU1, VGE5
	90325-044-000	NUT, TOOL BOX SETTING	-	-	-	1	-----	VGE5





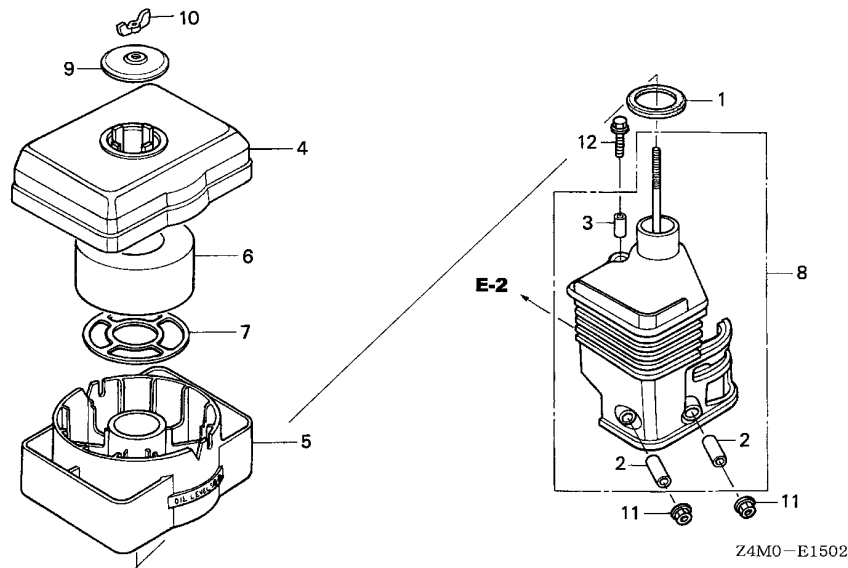
Ref. No.	L.O.N.	(Relative ref. Number) Description	F.R.T.
1	3121B8	ELEMENT, AIR CLEANERINCLUDES: Air cleaner element -inspection	0.1
6	3121B4	ELBOW, AIR CLEANER	0.1

Ref. No.	Part No.	Description	Reqd. QTY				Serial No.	Parts catalogue code
			GX 160 UT1	GX 160 RT1	GX 160 UT2	GX 160 RT2		
1	17211-ZE1-000	ELEMENT, AIR CLEANER(SEMI DRY)	1	-	1	-	-----	QMC6,SD16,SHRY,WKS,WKT2,WKT4,WKT6,WMBO
2	17212-ZE1-000	GRID, AIR CLEANER(SEMI DRY)	1	-	1	-	-----	QMC6,SD16,SHRY,WKS,WKT2,WKT4,WKT6,WMBO
3	17231-ZE1-000	COVER, AIR CLEANER(SEMI DRY)	1	-	1	-	-----	QMC6,SD16,SHRY,WKS,WKT2,WKT4,WKT6,WMBO
4	17238-ZE7-010	COLLAR, AIR CLEANER	2	-	2	-	-----	QMC6,SD16,SHRY,WKS,WKT2,WKT4,WKT6,WMBO
5	17239-ZE1-000	COLLAR B, AIR CLEANER	1	-	1	-	-----	QMC6,SD16,SHRY,WKS,WKT2,WKT4,WKT6,WMBO
6	17410-ZE1-020	ELBOW COMP., AIR CLEANER	1	-	1	-	-----	QMC6,SD16,SHRY,WKS,WKT2,WKT4,WKT6,WMBO
7	17421-ZE1-000	CAP, CLEANER	1	-	1	-	-----	QMC6,SD16,SHRY,WKS,WKT2,WKT4,WKT6,WMBO
8	90325-044-000	NUT, TOOL BOX SETTING	1	-	1	-	-----	QMC6,SD16,SHRY,WKS,WKT2,WKT4,WKT6,WMBO
9	94050-06000	NUT, FLANGE, 6MM	2	-	2	-	-----	QMC6,SD16,SHRY,WKS,WKT2,WKT4,WKT6,WMBO
10	95701-06020-00	BOLT, FLANGE, 6X20	1	-	1	-	-----	QMC6,SD16,SHRY,WKS,WKT2,WKT4,WKT6,WMBO

E-15-2

AIR CLEANER(3)

H 8



Ref. No.	L.O.N.	(Relative ref. Number) Description	F.R.T.
1	3121E1	PACKING, ELBOW	0.1
5	3121E5	PAN, AIR CLEANER OIL	0.1
6	3121B8	ELEMENT, AIR CLEANER	0.1
		.INCLUDES: Air cleaner element -inspection	
8	3121B4	ELBOW, AIR CLEANER	0.1

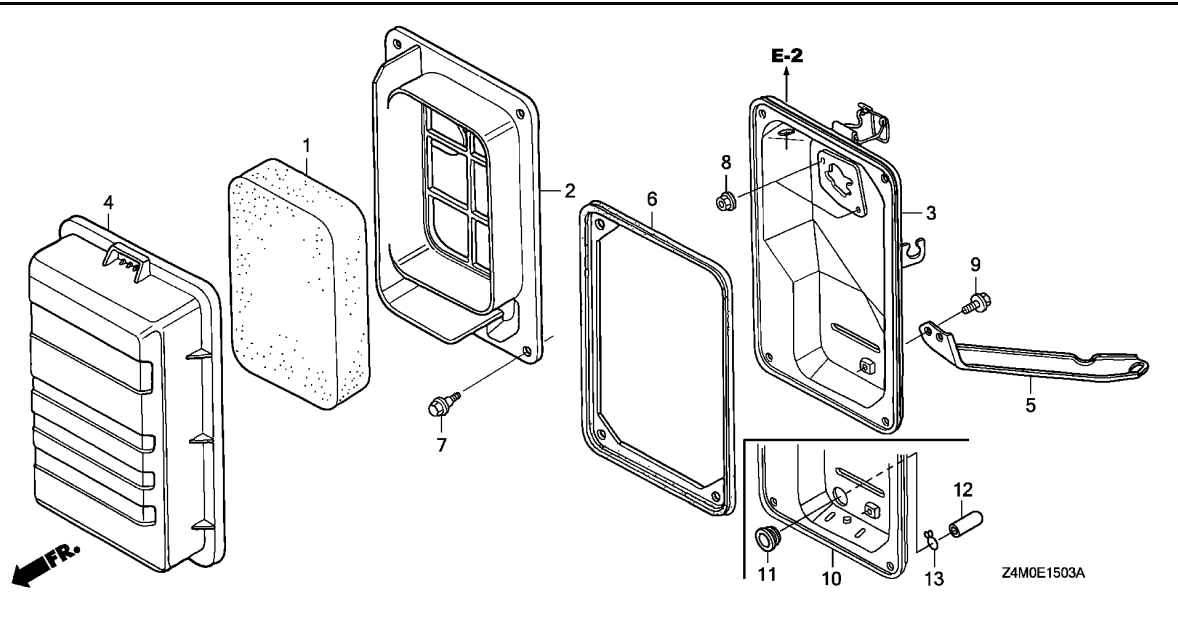
Ref. No.	Part No.	Description	Reqd. QTY				Serial No.	Parts catalogue code
			GX 160 UT1	GX 160 RT1	GX 160 UT2	GX 160 RT2		
1	16271-ZE1-000	PACKING, ELBOW	1	-	1	-	QA2,QA26,QME4,QMP4	
2	17238-ZE7-010	COLLAR, AIR CLEANER	2	-	2	-	QA2,QA26,QME4,QMP4	
3	17239-ZE1-000	COLLAR B, AIR CLEANER	1	-	1	-	QA2,QA26,QME4,QMP4	
4	17401-ZE1-810	BODY, CLEANER(OIL BATH)	1	-	1	-	QA2,QA26,QME4,QMP4	
5	17402-ZE1-810	PAN, CLEANER OIL(OIL BATH) ..	1	-	1	-	QA2,QA26,QME4,QMP4	
6	17403-ZE1-810	ELEMENT, AIR CLEANER(OIL BATH)	1	-	1	-	QA2,QA26,QME4,QMP4	
7	17404-841-000	GRID, AIR CLEANER	1	-	1	-	QA2,QA26,QME4,QMP4	
8	17410-ZE1-020	ELBOW COMP., AIR CLEANER	1	-	1	-	QA2,QA26,QME4,QMP4	
9	17421-ZE1-000	CAP, CLEANER	1	-	1	-	QA2,QA26,QME4,QMP4	
10	90325-044-000	NUT, TOOL BOX SETTING	1	-	1	-	QA2,QA26,QME4,QMP4	
11	94050-06000	NUT, FLANGE, 6MM	2	-	2	-	QA2,QA26,QME4,QMP4	
12	95701-06020-00	BOLT, FLANGE, 6X20	1	-	1	-	QA2,QA26,QME4,QMP4	

2

E-15-3

AIR CLEANER(4)

H 9



Ref. No.	L.O.N.	(Relative ref. Number) Description	F.R.T.
1	3121B8	ELEMENT, AIR CLEANERINCLUDES: Air cleaner element -inspection	0.1
2	3121F0	SEPARATOR, AIR CLEANER (10)	0.1
3	3121A5	CASE, AIR CLEANER	0.2
6	3121E8	SEAL, AIR CLEANER CASE	0.2

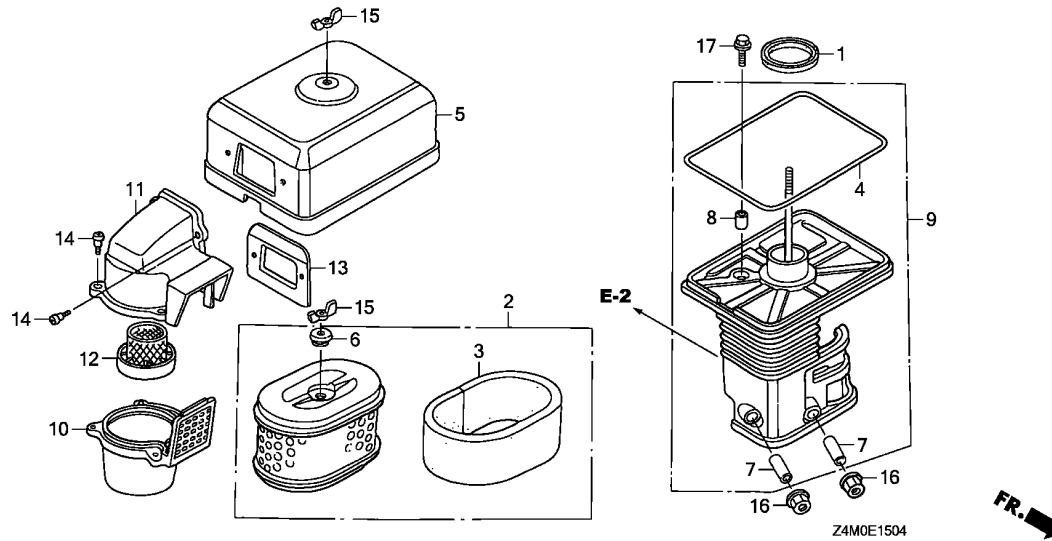
Ref. No.	Part No.	Description	Reqd. QTY				Serial No.	Parts catalogue code
			GX 160 UT1	GX 160 RT1	GX 160 UT2	GX 160 RT2		
1	17211-ZB2-000	ELEMENT, AIR CLEANER	1	-	-	1	EMAN, VES6, VPM4, VPM5, VPM8, VPM9, VPMN, VPR4, VPR9, VS17, VS19, VSD1 VWS, VWW2, VWWN	
2	17212-ZB2-000	SEPARATOR, AIR CLEANER	1	-	-	-	VPM4, VPM5, VPM8, VPM9, VPR4, VPR9, VS17, VS19, VSD1, VWW2	
	17212-ZB2-800	1	-	-	-	VPMN, VWWN	
	17212-ZB2-000	-	-	-	1	EMAN	
3	17220-ZB2-000	CASE COMP., AIR CLEANER	1	-	-	-	VES6, VPM5, VS19, VWS, VWWN	
	17220-ZB2-800	-	-	-	1	VPM4, VPM5, VPM8, VPM9, VPR4, VPR9, VS17, VS19, VSD1, VWW2	
4	17231-ZB2-000	COVER, AIR CLEANER	1	-	-	1	VES6, VPM5, VS19, VWS, VWWN	
5	17239-ZB2-000	STAY, AIR CLEANER	1	-	-	1	EMAN, VES6, VPM4, VPM5, VPM8, VPM9, VPMN, VPR4, VPR9, VS17, VS19, VSD1 VWS, VWW2, VWWN	
6	17252-ZB2-000	SEAL, AIR CLEANER	1	-	-	1	EMAN, VES6, VPM4, VPM5, VPM8, VPM9, VPMN, VPR4, VPR9, VS17, VS19, VSD1 VWS, VWW2, VWWN	
7	90115-459-770	BOLT, WINKER SETTING	4	-	-	4	EMAN, VES6, VPM4, VPM5, VPM8, VPM9, VPMN, VPR4, VPR9, VS17, VS19, VSD1 VWS, VWW2, VWWN	
8	94050-06080	NUT, FLANGE, 6MM	2	-	-	2	EMAN, VES6, VPM4, VPM5, VPM8, VPM9, VPMN, VPR4, VPR9, VS17, VS19, VSD1 VWS, VWW2, VWWN	
9	95701-06010-00	BOLT, FLANGE, 6X10	1	-	-	1	EMAN, VES6, VPM4, VPM5, VPM8, VPM9, VPMN, VPR4, VPR9, VS17, VS19, VSD1 VWS, VWW2, VWWN	
10	17220-ZB2-800	CASE COMP., AIR CLEANER	1	-	-	-	VPMN, VWWN	
		-	-	-	1	EMAN	
11	17232-898-000	GROMMET, AIR CLEANER	1	-	-	-	VPMN, VWWN	
		-	-	-	1	EMAN	
12	90634-ZL8-H00	CAP, SEALING	1	-	-	-	VPMN, VWWN	
		-	-	-	1	EMAN	
13	95002-02100	CLIP, TUBE(B10)	1	-	-	-	VPMN, VWWN	
		-	-	-	1	EMAN	

2

E-15-4

AIR CLEANER(5)

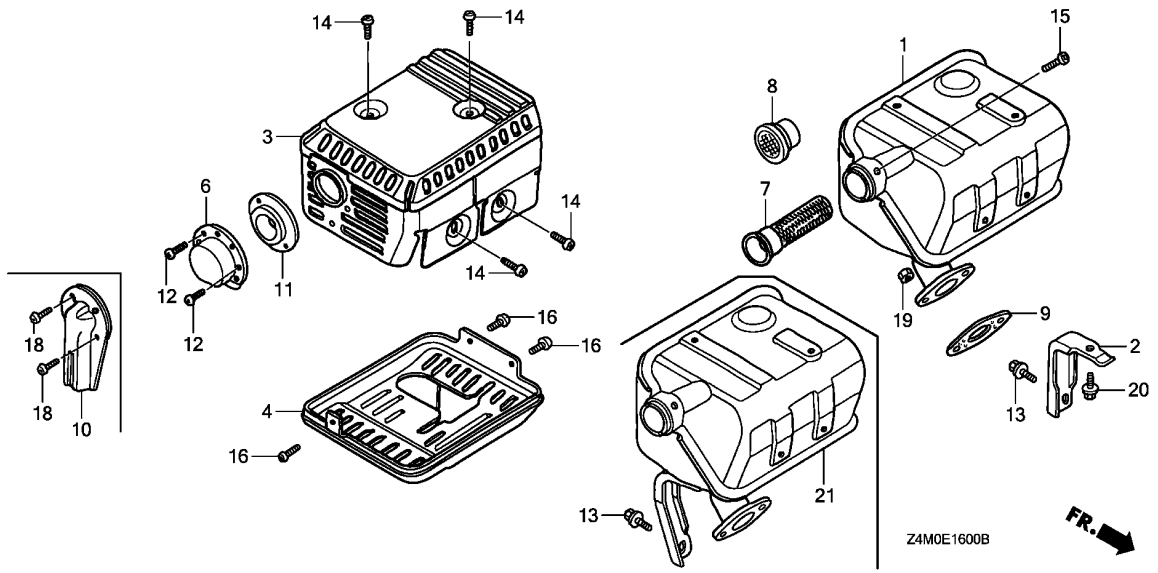
H10



Ref. No.	L.O.N.	(Relative ref. Number) Description	F.R.T.
1	3121E1	PACKING, ELBOW	0.1
2	3121B8	ELEMENT, AIR CLEANER	0.1
		.INCLUDES: Air cleaner element -inspection	
3	3121C1	FILTER, OUTER	0.1
		.INCLUDES: Outer filter-inspection	
4	3121E0	PACKING, AIR CLEANER COVER ...	0.1
9	3121B4	ELBOW, AIR CLEANER	0.1
10	3121A6	CASE, PRE AIR CLEANER	0.1
11	3121A4	CAP, PRE AIR CLEANER	0.1
12	3121C8	GUIDE, PRE AIR CLEANER	0.1

Ref. No.	Part No.	Description	Reqd. QTY				Serial No.	Parts catalogue code
			GX 160 UT1	GX 160 RT1	GX 160 UT2	GX 160 RT2		
1	16271-ZE1-000	PACKING, ELBOW	1	-	-	-	----- QNT4,QXC4,QXC9,TXC9,VG29	
2	17210-ZE1-822	ELEMENT, AIR CLEANER(DUAL) ..	1	-	-	-	----- QNT4,QXC4,QXC9,TXC9,VG29	
3	17218-ZE1-821	FILTER, OUTER	1	-	-	-	----- QNT4,QXC4,QXC9,TXC9,VG29	
4	17219-733-010	PACKING, AIR CLEANER COVER ..	1	-	-	-	----- QNT4,QXC4,QXC9,TXC9,VG29	
5	17230-ZE1-841	COVER, AIR CLEANER(DUAL)	1	-	-	-	----- QNT4,QXC4,QXC9,TXC9,VG29	
6	17232-891-000	GROMMET, AIR CLEANER	1	-	-	-	----- QNT4,QXC4,QXC9,TXC9,VG29	
7	17238-ZE7-010	COLLAR, AIR CLEANER	2	-	-	-	----- QNT4,QXC4,QXC9,TXC9,VG29	
8	17239-733-000	COLLAR B, AIR CLEANER	1	-	-	-	----- QNT4,QXC4,QXC9,TXC9,VG29	
9	17410-ZE1-840	ELBOW COMP., AIR CLEANER	1	-	-	-	----- QNT4,QXC4,QXC9,TXC9,VG29	
10	17470-ZE1-842	CASE, PRE AIR CLEANER	1	-	-	-	----- QNT4,QXC4,QXC9,TXC9,VG29	
11	17475-ZE1-841	CAP, PRE AIR CLEANER	1	-	-	-	----- QNT4,QXC4,QXC9,TXC9,VG29	
12	17476-ZE1-841	GUIDE, PRE AIR CLEANER	1	-	-	-	----- QNT4,QXC4,QXC9,TXC9,VG29	
13	17478-ZE1-841	PLATE, PRE AIR CLEANER	1	-	-	-	----- QNT4,QXC4,QXC9,TXC9,VG29	
14	90300-GB0-900	BOLT, MUDGUARD	5	-	-	-	----- QNT4,QXC4,QXC9,TXC9,VG29	
15	90325-044-000	NUT, TOOL BOX SETTING	2	-	-	-	----- QNT4,QXC4,QXC9,TXC9,VG29	
16	94050-06000	NUT, FLANGE, 6MM	2	-	-	-	----- QNT4,QXC4,QXC9,TXC9,VG29	
17	95701-06020-00	BOLT, FLANGE, 6X20	1	-	-	-	----- QNT4,QXC4,QXC9,TXC9,VG29	



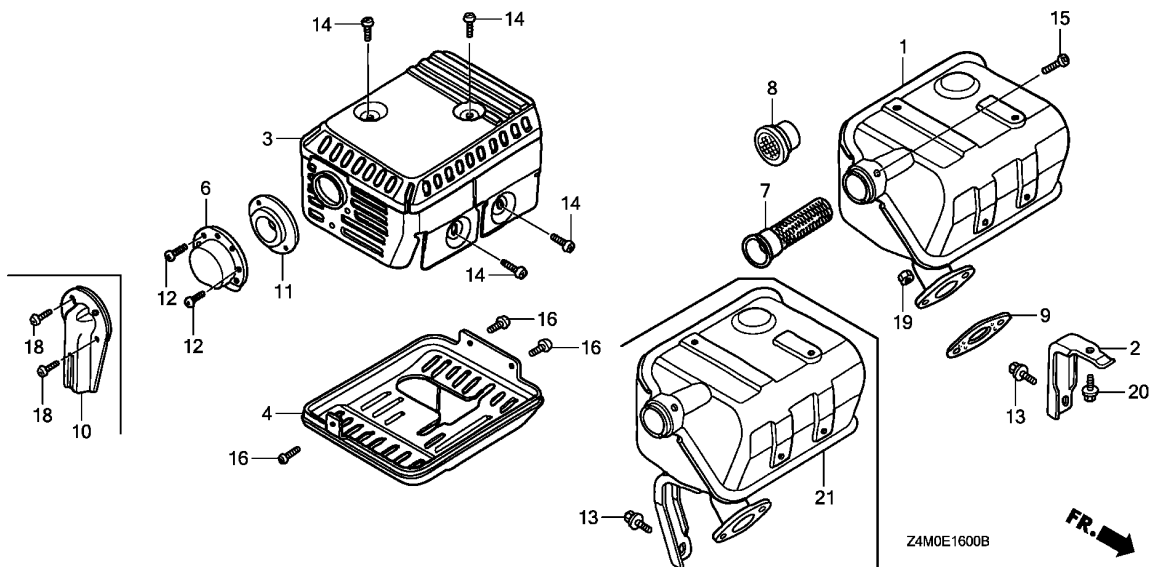


Ref. No.	L.O.N.	(Relative ref. Number) Description	F.R.T.
1		(21) MUFFLER, EXHAUST	0.2
3		PROTECTOR, EXHAUST MUFFLER ...	0.2
4		PROTECTOR, EXHAUST MUFFLER :LOWER	0.2
6		(10) DEFLECTOR, EXHAUST MUFFLER ...	0.1
7		ARRESTER, SPARK	0.2
		.INCLUDES: Spark arrester check	
8		NETTING, WIRE FLANGE	0.2
9		GASKET, EXHAUST MUFFLER	0.2

Ref. No.	Part No.	Description	Reqd. QTY				Serial No.	Parts catalogue code
			GX 160 UT1	GX 160 RT1	GX 160 UT2	GX 160 RT2		
1	18310-ZH8-810	MUFFLER COMP.(ARRESTER)	(1)	(1)	-	-	HH26, HHQ4, HX2, HX4, HXE8, HXU, LHQ4, LX2, LX26, LX4, LXU, PXU, QAX2, QAX4, QBT6, QCB2, QCL, QGR9, QH26, QHG4, QHQ4, QHQ4, QHQ4, QKA4, QMC6, QMC8, QMD6, QME4, QMP4, QPU, QW24, QWA4, QWW2, QWX2, QX2, QX26, QX4, QX7, QX9, QXC4, QXC9, QXE2, QXE4, QXE5, QXE8, QXF2, QXP2, QXS2, QXU, QXW, QXWE, RH2, RHG4, RHQ4, RTB2, RX4, RXE2, RXP2, RXU, SD16, SG22, SG24, SHQ4, SHQU, SMC7, SMC9, SSX2, SWG4, SWX2, SX2, SX4, SX7, SX9, SXE4, SXE5, SXS, SXU, TCS2, TW24, TX2, TX26, TX4, TXC9, TXU, UXU, VG24, VG29, VGE2, VGE4, VGE5, VHA9, VHH4, VMS4, VPM4, VPM5, VPM8, VPM9, VPMN, VPR4, VPR9, VS17, VS19, VSD, VSD1, VSD2, VSD7, VSD9, VWW2, VWWN, VX2, VX4, VXE9, VXU1, VXW2, WKS, WMBO	
	18310-ZF1-000	MUFFLER COMP.(STD.)	1	-	-	-	HH26, HHQ4, HX2, HX4, HXE8, HXU, LHQ4, LX2, LX26, LX4, LXU, PXU, QAX2, QAX4, QBT6, QCB2, QCL, QGR9, QH26, QHG4, QHQ4, QHQ4, QMC6, QME4, QMP4, QPU, QW24, QWW2, QWX2, QX2, QX26, QX4, QXE2, QXE4, QXE5, QXE8, QXF2, QXP2, QXS2, QXU, QXW, QXWE, RH2, RHQ4, RX4, RXE2, RXP2, RXU, SD16, SHQ4, SHQU, SWX2, SX2, SX4, SXE4, SXE5, SXU, TCS2, TW24, TX2, TX26, TX4, TXC9, TXU, UXU, VHH4, VSD, VX2, VX4, VXU1, VXW2, WKS, WMBO	
	18310-ZH8-810	MUFFLER COMP.(ARRESTER)	1	-	-	-	QA2, QA26, QBC2, QBM2, QM22, QNT, QNT4, SXS2, SXS4, TXDU, VA2, VWA2, WKT2, WKT4, WKT6	
	18310-ZE1-821	MUFFLER COMP.(SILENT)	1	-	-	-	QMC8, QMD6, QWA4, QXC4, QXC9, RTB2, SG22, SG24, SMC7, SMC9, VG24, VG29, VMS4	
	18310-Z8K-870	1	-	-	-	QX7, QX9, SX7, SX9, SXS, VHA9, VSD2, VSD7, VSD9, VXE9	
	18310-ZH8-T30	MUFFLER COMP.(SAKAI-ARRESTER)	1	-	-	-	SSX2	
	18310-Z4M-810	MUFFLER COMP.	-	-	(1)	(1)	EMAN, HH26, HHQ4, HX2, HX4, HXE8, LHN4, LHQ4, LX2, LX4, LXM2, PXU, QA2, QAX2, QAX4, QBC2, QBM2, QGR9, QH26, QHG4, QHQ4, QMC6, QMC8, QMD6, QME4, QMP4, QMX2, QPU, QWA4, QWX2, QX2, QX4, QX9, QXE2, QXE5, QXE8, QXM2, QXS2, QXU, QXWE, RH2, RHG4, RHQ4, RX4, RXE2, RXU, S1CY, SD16, SHQ4, SHRY, SMC7, SMC9, SMW2, SSX2, SWG4, SWX2, SX4, SX9, SXE5, SXS4, SXU, TX2, TX4, TXDU, UXU, VA2, VES6, VGE4, VGE5, VHH4, VPM5, VS19, VSD9, VWWN, VX2, VXE9, VXU1, WKS, WKT2, WMBO	

Ref. No.	Part No.	Description	Reqd. QTY				Serial No.	Parts catalogue code
			GX 160 UT1	GX 160 RT1	GX 160 UT2	GX 160 RT2		
(1)	18310-Z4M-000	MUFFLER COMP.	-	-	1	1	-----	HH26, HHQ4, HX2, HX4, HXE8, LHN4, LHQ4, LX2, LX4, PXU, QAX2, QAX4, QGR9, QH26, QHQ4, QMC6, QME4, QMP4, QPU, QWX2, QX2, QX4, QXE2, QXE5, QXE8, QXS2, QXU, QXWE, RH2, RHQ4, RX4, RXE2, RXU, SD16, SHQ4, SHRY, SWX2, SX4, SXE5, SXU, TX2, TX4, UXU, VHH4, VX2, VXU1, WKS, WMBO
	18310-Z4M-810	-	-	1	-	-----	LXM2, QA2, QBC2, QBM2, QXM2, S1CY, SMW2, SXS4, TXDU, VA2, WKT2
	18310-Z4M-T30	MUFFLER COMP. (SAKAI-ARRESTER)	-	-	1	-	-----	SSX2
2	18315-ZE1-000	STAY, MUFFLER	1	-	-	-	-----	QMC8, QMD6, QWA4, QX7, QX9, QXC4, QXC9, RTB2, SG22, SG24, SMC7, SMC9, SX7, SX9, SXS, VG24, VG29, VHA9, VMS4, VSD2, VSD7, VSD9, VXE9
3	18320-ZF1-H01	PROTECTOR, MUFFLER(STD.) (BLACK)	1	1	-	-	-----	HH26, HHQ4, HX2, HX4, HXE8, HXU, LHQ4, LX2, LX26, LX4, LXU, PXU, QA2, QA26, QAX2, QBC2, QBM2, QBT6, QCB2, QCL, QGR9, QH26, QHG4, QHQ4, QMC6, QME4, QMP4, QM22, QNT, QNT4, QPU, QW24, QWW2, QWX2, QX2, QX26, QX4, QXE2, QXE4, QXE5, QXE8, QXF2, QXS2, QXU, QXW, QXWE, RH2, RHG4, RHQ4, RX4, RXE2, RXU, SD16, SHQ4, SXS2, SWX2, SX4, SXE4, SXE5, SXS4, SXU, TCS2, TW24, TX2, TX26, TX4, TXC9, TXDU, TXU, UXU, VA2, VHH4, VSD, VVA2, VX2, VX4, VXU1, VXXW2, WKS, WKT2, WKT4, WKT6, WMBO
	18320-ZF1-H02	1	-	-	-	-----	QAX4, QHQ4, QXP2, RXP2, SHQU, SX2, SXS2
	18320-ZF1-H51	PROTECTOR, MUFFLER(SILENT) ..	1	-	-	-	-----	QMC8, QMD6, QWA4, QX7, QX9, QXC9, RTB2, SG24, SMC7, SMC9, SX7, SX9, VG24, VG29, VHA9, VMS4, VSD7, VSD9, VXE9
	18320-ZF1-H52	1	-	-	-	-----	QXC4, SG22, SXS, VSD2
	18320-Z4M-000	PROTECTOR COMP., MUFFLER(STD)	-	-	1	1	-----	HH26, HHQ4, HX2, HX4, HXE8, LHN4, LHQ4, LX2, LX4, LXM2, PXU, QA2, QAX2, QAX4, QBC2, QBM2, QGR9, QH26, QHG4, QHQ4, QMC6, QME4, QMP4, QMX2, QPU, QWX2, QX2, QX4, QXE2, QXE5, QXE8, QXM2, QXS2, QXU, QXWE, RH2, RHG4, RHQ4, RX4, RXE2, RXU, S1CY, SD16, SHQ4, SHRY, SMW2, SXS2, SWX2, SX4, SXE5, SXS4, SXU, TX2, TX4, TXDU, UXU, VA2, VHH4, VX2, VXU1, WKS, WKT2, WMBO
	18320-Z4V-000	PROTECTOR COMP., MUFFLER	-	-	1	-	-----	QMC8, QMD6, QWA4, QX9, SMC7, SMC9, SX9, VSD9, VXE9
4	18325-ZE1-010	PROTECTOR, LOWER	1	-	1	-	-----	QGR9, QXS2, SHRY
6	18340-ZE1-010	DEFLECTOR COMP.	1	-	1	-	-----	LHN4, QA2, QA26, QBT6, QMC6, QMP4, QMX2, QM22, QNT, QNT4, QPU, QWW2, QWX2, QXU, S1CY, SHRY, SMW2, SXS2, SWX2, SXS2, SXS4, SXU, TXDU
	18331-883-810	CAP, MUFFLER	1	-	1	-	-----	QMC8, QWA4, QXC4, QXC9, SG22, SG24, SMC7, VG24, VG29
7	18355-ZE1-000	ARRESTER, SPARK	(1)	(1)	(1)	(1)	-----	EMAN, HH26, HHQ4, HX2, HX4, HXE8, HXU, LHN4, LHQ4, LX2, LX26, LX4, LXU, PXU, QAX2, QAX4, QBT6, QCB2, QCL, QGR9, QH26, QHG4, QHQ4, QHQ4, QKA4, QMC6, QMC8, QMD6, QME4, QMP4, QPU, QW24, QWA4, QWW2, QWX2, QX2, QX26, QX4, QX7, QX9, QXC4, QXC9, QXE2, QXE4, QXE5, QXE8, QXF2, QXP2, QXS2, QXU, QXW, QXWE, RH2, RHG4, RHQ4, RTB2, RX4, RXE2, RXP2, RXU, SD16, SG22, SG24, SHQ4, SHQU, SHRY, SMC7, SMC9, SWG4, SWX2, SX2, SX4, SX7, SX9, SXE4, SXE5, SXS, SXU, TCS2, TW24, TX2, TX26, TX4, TXC9, TXU, UXU, VES6, VG24, VG29, VGE2, VGE4, VGE5, VHA9, VHH4, VMS4, VPM4, VPM5, VPM8, VPM9, VPMN, VPR4, VPR9, VS17, VS19, VSD, VSD1, VSD2, VSD7, VSD9, VWW2, VWWN, VX2, VX4, VXE9, VXU1, VXXW2, WKS, WMBO
	18355-ZE1-810	ARRESTER, SPARK(SILENT)	1	-	1	-	-----	LXM2, QA2, QA26, QBC2, QBM2, QMX2, QM22, QNT, QNT4, QXM2, S1CY, SMW2, SXS2, SXS4, TXDU, VA2, VVA2, WKT2, WKT4, WKT6
	18355-ZL0-000	ARRESTER, SPARK	-	-	1	-	-----	QMC8, QMD6, QWA4, SMC7, SMC9
8	18361-ZL0-000	NETTING, WIRE FLANGE	1	-	1	-	-----	QX7, QX9, SX7, SX9, SXS, VHA9, VSD2, VSD7, VSD9, VXE9
9	18381-Z0T-801	GASKET, MUFFLER	1	1	-	-	-----	HH26, HHQ4, HX2, HX4, HXE8, HXU, QAX2, QAX4, QBM2, QHG4, QHQ4, QKA4, QNT4, QXC4, QXC9, QXE4, QXE5, QXE8, QXP2, QXW, QXWE, RH2, RHG4, RHQ4, RTB2, RX4, RXE2, RXP2, RXU, SG22, SHQU, SXS2, SWG4, SX2, SXE4, SXE5, SXS, SXS2, TXC9, TXDU, UXU, VG29, VSD2, WMBO
	18381-ZH8-800	(1)	(1)	-	-	-----	HH26, HHQ4, HX4, HXE8, HXU, QAX2, QKA4, QNT4, QXE4, QXE5, QXE8, RHG4, RHQ4, RTB2, RX4, RXU, SXS2, SWG4, SXE4, SXE5, TXC9, UXU, VG29, WMBO
			1	-	-	-	-----	VGE2, VGE4, VGE5, VPM4
			1	-	-	-	-----	1394710 LHQ4, LX2, LX26, LX4, LXU, PXU, QA2, QA26, QBC2, QBT6, QCB2, QCL, QGR9, QH26, QHQ4, QMC6, QMC8, QMD6, QME4, QMP4, QM22, QNT, QPU, QW24, QWA4, QWW2, QWX2, QX2, QX26, QX4, QX7, QX9, QXE2, QXF2, QXS2, QXU, SD16, SG24, SHQ4, SMC7, SMC9, SWX2, SX4, SX7, SX9, SXS4, SXU, TCS2, TW24, TX2, TX26, TX4, TXU, VA2, VG24, VHA9, VHH4, VMS4, VSD, VSD7, VSD9, VVA2, VX2, VX4, VXE9, VXU1, VXXW2, WKS, WKT2, WKT4, WKT6





Ref. No.	Part No.	Description	Reqd. QTY				Serial No.	Parts catalogue code
			GX 160 UT1	GX 160 RT1	GX 160 UT2	GX 160 RT2		
(9)	18381-Z0T-801	GASKET, MUFFLER	1	-	-	-	1394711 -----	LHQ4, LX2, LX26, LX4, LXU, PXU, QA2, QA26, QBC2, QBT6, QCB2, QCL, QGR9, QH26, QHQ4, QMC6, QMC8, QMD6, QME4, QMP4, QMZ2, QNT, QPU, QW24, QWA4, QWW2, QWX2, QX2, QX26, QX4, QX7, QX9, QXE2, QXF2, QXS2, QXU, SD16, SG24, SHQ4, SMC7, SMC9, SWX2, SX4, SX7, SX9, SXS4, SXU, TCS2, TW24, TX2, TX26, TX4, TXU, VA2, VG24, VHA9, VHH4, VMS4, VSD, VSD7, VSD9, VWA2, VX2, VX4, VXE9, VXU1, VXW2, WKS, WKT2, WKT4, WKT6 EMAN, HH26, HHQ4, HX4, HXE8, LHN4, QAX2, QAX4, QMX2, QX9, QXE5, QXE8, RHG4, RHQ4, RX4, RXU, S1CY, SHRY, SMW2, SSX2, SWG4, SX9, SXE5, UXU, VS19, VSD9, VXE9, WMBO HH26, HHQ4, HX2, HX4, HXE8, LHN4, LHQ4, LX2, LX4, LXM2, PXU, QA2, QAX2, QAX4, QBC2, QBM2, QGR9, QH26, QHG4, QHQ4, QMC6, QMC8, QMD6, QME4, QMP4, QMX2, QPU, QWA4, QWX2, QX2, QX4, QX9, QXE2, QXE5, QXE8, QXM2, QXS2, QXU, QXWE, RH2, RHG4, RHQ4, RX4, RXE2, RXU, S1CY, SD16, SHQ4, SHRY, SMC7, SMC9, SMW2, SSX2, SWG4, SWX2, SX4, SX9, SXE5, SXS4, SXU, TX2, TX4, TXDU, UXU, VA2, VGE4, VGE5, VHH4, VPM5, VSD9, VWS, VWWN, VX2, VXE9, VXU1, WKS, WKT2, WMBO, QMC6, QMC8, QNT, QNT4, QWA4, SG22, SG24, SMC7, SXS2, SXS4, VG24, VG29
10	18431-ZH8-W50	DEFLECTOR, MUFFLER	(1)	-	(1)	-	-----	-----
11	18522-ZE1-000	GUIDE, MUFFLER	1	-	1	-	-----	LHN4, QA2, QA26, QBT6, QMC6, QMP4, QMX2, QMZ2, QNT, QNT4, QPU, QXU, S1CY, SHRY, SMW2, SSX2, SWX2, SXS2, SXS4, SXU, TXDU
12	90055-ZE1-000	SCREW, TAPPING, 4X6	2	-	2	-	-----	QMC8, QWA4, QXC4, QXC9, SG22, SG24, SMC7, VG24, VG29
	90002-Z0T-800	SCREW, TAPPING, 4X8	2	-	-	-	-----	QA2, QA26, QBT6, QMC6, QMP4, QMZ2, QNT, QPU, QWW2, QWX2, QXU, SWX2, SXS2, SXS4, SXU, TXDU
	90002-ZG0-003	2	-	-	-	-----	QNT4, SSX2
	90002-Z0T-800	-	-	2	-	-----	LHN4, QA2, QMC6, QMP4, QMX2, QPU, QWX2, QXU, S1CY, SHRY, SMW2, SSX2, SWX2, SXS4, SXU, TXDU
13	90016-ZE1-000	BOLT, FLANGE, 6X13(CT200) ...	1	1	1	1	-----	QHG4, QMC8, QMD6, QMX2, QWA4, QX7, QX9, QXC4, QXC9, RHG4, RTB2, SG22, SG24, SMC7, SMC9, SX7, SX9, SXS, VG24, VG29, VHA9, VMS4, VSD2, VSD7, VSD9, VXE9

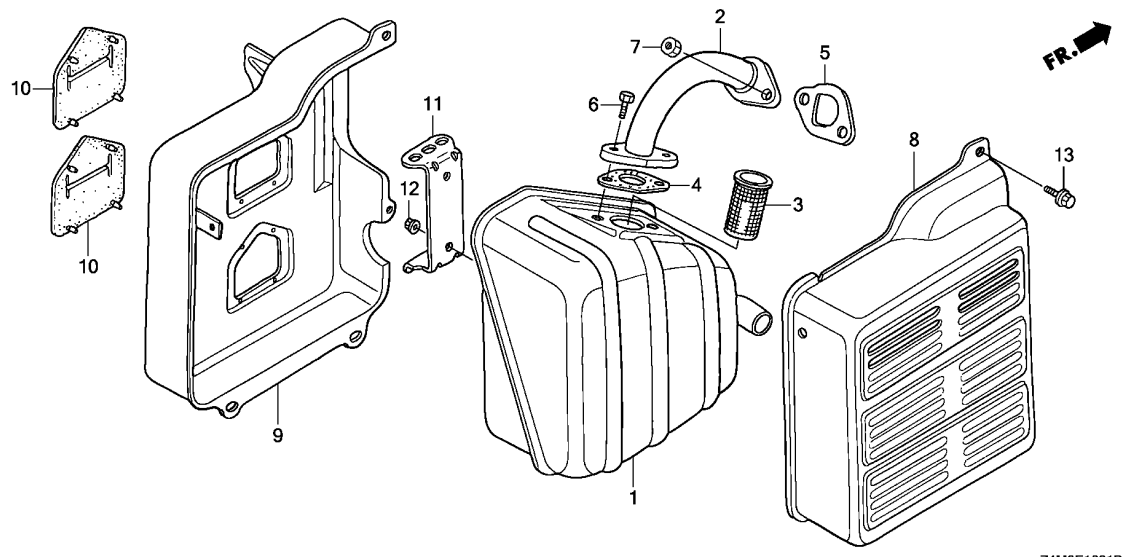
Ref. No.	Part No.	Description	Reqd. QTY				Serial No.	Parts catalogue code
			GX 160 UT1	GX 160 RT1	GX 160 UT2	GX 160 RT2		
14	90050-ZE1-000	SCREW, TAPPING, 5X8	4	4	4	4	-----	HH26, HHQ4, HX2, HX4, HXE8, HXU, LHN4, LHQ4, LX2, LX26, LX4, LXM2, LXU, PXU, QA2, QA26, QAX2, QAX4, QBC2, QBM2, QBT6, QCB2, QCL, QGR9, QH26, QHG4, QHQ4, QHQ4, QMC6, QMC8, QMD6, QME4, QMP4, QMX2, QMZ2, QNT, QNT4, QPU, QW24, QWA4, QWW2, QWX2, QX2, QX26, QX4, QX7, QX9, QXC4, QXC9, QXE2, QXE4, QXE5, QXE8, QXF2, QXM2, QXP2, QXS2, QXU, QXW, QXWE, RH2, RHG4, RHQ4, RX4, RXE2, RXP2, RXU, S1CY, SD16, SG22, SG24, SHQ4, SHQU, SHRY, SMC7, SMC9, SMW2, SSSX2, SWX2, SX2, SX4, SX7, SX9, SXE4, SXE5, SXS, SXS2, SXS4, SXU, TCS2, TW24, TX2, TX26, TX4, TXC9, TXDU, TXU, UXU, VA2, VG24, VG29, VHA9, VHH4, VMS4, VSD, VSD2, VSD7, VSD9, VWA2, VX2, VX4, VXE9, VXU1, VXW2, WKS, WKT2, WKT4, WKT6, WMBO
	90050-ZE3-H00	4	-	-	-	-----	RTB2
15	90055-ZE1-000	SCREW, TAPPING, 4X6	(1)	(1)	-	(1)	-----	EMAN, HH26, HHQ4, HX2, HX4, HXE8, HXU, LHQ4, LX2, LX26, LX4, LXU, PXU, QAX2, QAX4, QBT6, QCB2, QCL, QGR9, QH26, QHG4, QHQ4, QHQ4, QMC6, QME4, QMP4, QPU, QW24, QWW2, QWX2, QX2, QX26, QX4, QX9, QXC4, QXC9, QXE2, QXE4, QXE5, QXE8, QXF2, QXP2, QXS2, QXU, QXW, QXWE, RH2, RHG4, RHQ4, RTB2, RX4, RXE2, RXP2, RXU, SD16, SG22, SHQ4, SHQU, SWG4, SWX2, SX2, SX4, SX9, SXE4, SXE5, SXS, SXU, TCS2, TW24, TX2, TX26, TX4, TXC9, TXU, UXU, VES6, VG24, VG29, VGE2, VGE4, VGE5, VHA9, VHH4, VPM4, VPM5, VPMN, VPR4, VPR9, VS17, VS19, VSD, VSD1, VSD2, VSD9, VVW2, VVWN, VX2, VX4, VXE9, VXU1, VXW2, WKS, WMBO
	90056-ZL0-000	1	-	1	-	-----	LXM2, QA2, QA26, QBC2, QBM2, QMX2, QMZ2, QNT, QNT4, QXM2, S1CY, SMW2, SSSX2, SXS2, SXS4, TXDU, VA2, VWA2, WKT2, WKT4, WKT6
	90055-ZE1-000	-	-	(1)	-	-----	QMC8, QMD6, QWA4, QX7, QX9, QXC4, QXC9, SG22, SG24, SMC7, SMC9, SX7, SX9, SXS, VG24, VG29, VHA9, VMS4, VSD2, VSD7, VSD9, VXE9
16	90055-ZE1-000	SCREW, TAPPING, 4X6	3	-	3	-	-----	QGR9, QXS2, SHRY
18	90055-ZE1-000	SCREW, TAPPING, 4X6	(2)	-	(2)	-	-----	QMC6, QMC8, QNT, QNT4, QWA4, SG22, SG24, SMC7, SXS2, SXS4, VG24, VG29
19	94001-08000-0S	NUT, HEX., 8MM	2	2	2	-	-----	HH26, HHQ4, HX2, HX4, HXE8, HXU, LHN4, LHQ4, LX2, LX26, LX4, LXM2, LXU, PXU, QA2, QA26, QAX2, QAX4, QBC2, QBM2, QBT6, QCB2, QCL, QGR9, QH26, QHG4, QHQ4, QHQ4, QKA4, QMC6, QMC8, QMD6, QME4, QMP4, QMX2, QMZ2, QNT, QNT4, QPU, QW24, QWA4, QWW2, QWX2, QX2, QX26, QX4, QX7, QX9, QXC4, QXC9, QXE2, QXE4, QXE5, QXE8, QXF2, QXM2, QXP2, QXS2, QXU, QXW, QXWE, RH2, RHG4, RHQ4, RTB2, RX4, RXE2, RXP2, RXU, S1CY, SD16, SG22, SG24, SHQ4, SHQU, SHRY, SMC7, SMC9, SMW2, SSSX2, SWG4, SWX2, SX2, SX4, SX7, SX9, SXE4, SXE5, SXS, SXS2, SXS4, SXU, TCS2, TW24, TX2, TX26, TX4, TXC9, TXDU, TXU, UXU, VA2, VG24, VG29, VGE4, VGE5, VHA9, VHH4, VMS4, VPM4, VSD, VSD2, VSD7, VSD9, VWA2, VX2, VX4, VXE9, VXU1, VXW2, WKS, WKT2, WKT4, WKT6, WMBO
20	95701-06012-00	BOLT, FLANGE, 6X12	-	-	-	2	-----	QHG4, RHG4, VHH4, VPM5
			1	-	-	-	-----	QMC8, QMD6, QWA4, QX7, QX9, QXC4, QXC9, RTB2, SG22, SG24, SMC7, SMC9, SX7, SX9, SXS, VG24, VG29, VHA9, VMS4, VSD2, VSD7, VSD9, VXE9
21	18310-ZH7-V90	MUFFLER COMP.	1	1	-	-	-----	QHG4, RHG4
	18310-Z4V-800	MUFFLER COMP. (ARRESTER)	-	-	1	-	-----	QMC8, QMD6, QWA4, SMC7, SMC9
	18310-Z4M-V50	MUFFLER COMP.	-	-	1	-	-----	QMX2
	18310-Z4V-000	-	-	1	-	-----	QX9, SX9, VSD9, VXE9
	18310-Z4M-V90	-	-	-	1	-----	QHG4, RHG4



E-16-1

MUFFLER(2)

H15



Ref. No.	L.O.N.	(Relative ref. Number) Description	F.R.T.
1	3131F7	MUFFLER, EXHAUST(A) (5)	0.2
2	3131C9	PIPE, EXHAUST	0.2
3	3131A1	ARRESTER, SPARK .INCLUDES: Spark arrester check	0.2
4	3131B4	GASKET, EXHAUST MUFFLER	0.2
8	3131D9	PROTECTOR, EXHAUST MUFFLER :OUTER	0.1
9	3131D8	PROTECTOR, EXHAUST MUFFLER :INNER	0.2
10	3131G6	SEAL, MUFFLER PROTECTOR	0.2

Z4MOE1601B

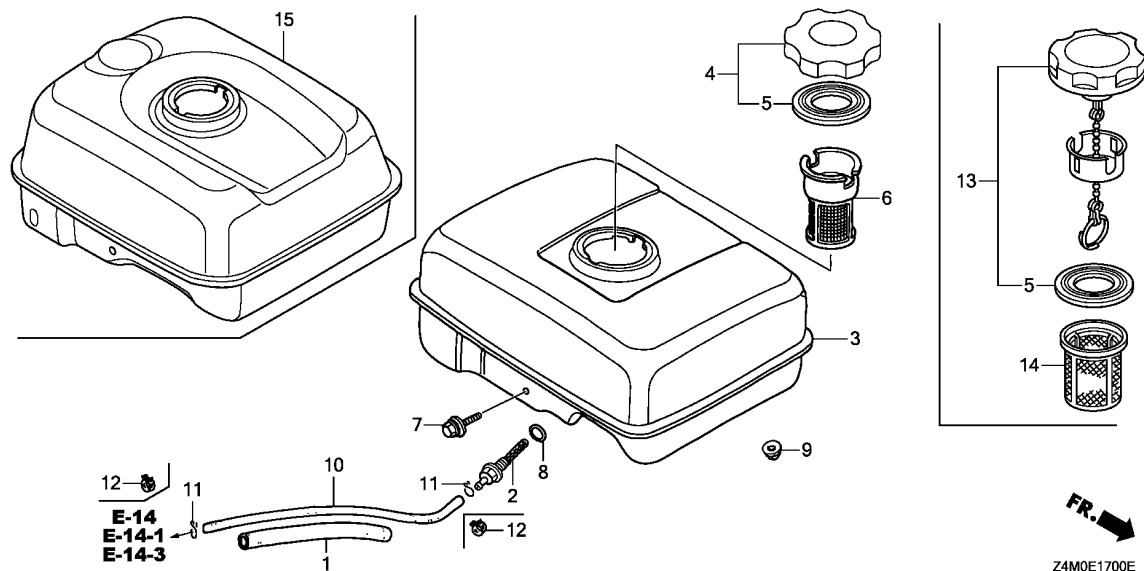
Ref. No.	Part No.	Description	Reqd. QTY				Serial No.	Parts catalogue code
			GX 160 UT1	GX 160 RT1	GX 160 UT2	GX 160 RT2		
1	18310-ZB3-C00	MUFFLER COMP.	1	-	-	1	EMAN,VES6,VPR4,VPR9,VS17,VS19,VSD1	
2	18330-ZB2-000	PIPE COMP., EX.	1	-	-	1	VES6,VS17,VS19,VSD1	
	18330-ZH8-T90	PIPE COMP., EX.(DENYO)	-	-	-	1	EMAN	
3	18355-898-630	ARRESTER, SPARK	1	-	-	1	EMAN,VES6,VPR4,VPR9,VS17,VS19,VSD1	
4	18381-ZE1-800	GASKET, MUFFLER	1	-	-	-	VPR4,VPR9,VS17,VS19,VSD1	
	18381-Z0T-811		-	-	-	1	EMAN,VES6,VS19	
5	18381-ZH8-800	GASKET, MUFFLER	1	-	-	-	VPR4,VPR9	
	18381-Z0T-801		1	-	-	1394710	VS17,VS19,VSD1	
			-	-	-	1394711	VS17,VS19,VSD1	
			-	-	-	1	EMAN,VES6,VS19	
6	92101-08020-0A	BOLT, HEX., 8X20	2	-	-	2	VPR4,VPR9,VS17,VS19,VSD1	
7	94001-08000-0S	NUT, HEX., 8MM	2	-	-	2	VPR4,VPR9,VS17,VS19,VSD1	
8	18320-ZB2-000	PROTECTOR, MUFFLER OUTER	-	-	-	1	EMAN,VES6	
9	18325-ZH8-T90	PROTECTOR, MUFFLER INNER	-	-	-	1	EMAN	
	18325-ZB2-000	PROTECTOR, MUFFLER INNER (DENYO)	-	-	-	1	VES6	
10	18329-ZB2-000	SEAL, MUFFLER PROTECTOR	-	-	-	2	EMAN	
			-	-	-	1	VES6	
11	18338-ZB3-E30	STAY, MUFFLER	-	-	-	1	VES6	
12	94050-06000	NUT, FLANGE, 6MM	-	-	-	2	VES6	
13	95701-06012-00	BOLT, FLANGE, 6X12	-	-	-	5	VES6	

2

E-17

FUEL TANK

H16



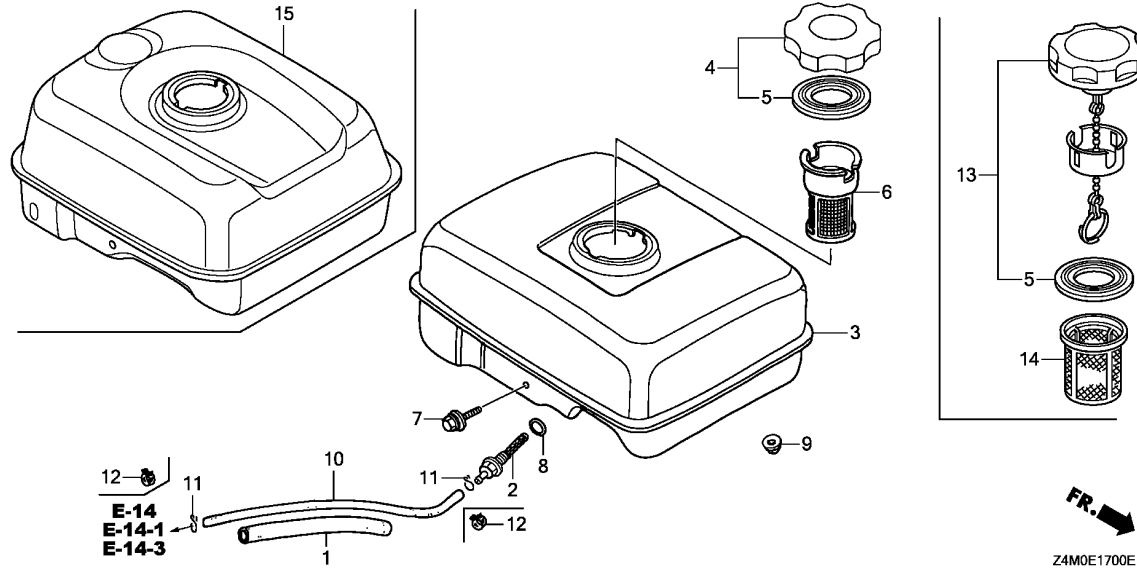
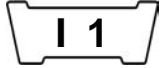
Ref. No.	L.O.N.	(Relative ref. Number) Description	F.R.T.
2		(8) JOINT, FUEL STRAINER	0.2
3	3101H6	(15) TANK, FUEL	0.2
6	3101H7	(14) FILTER, FUEL	0.1
10	3101A6	TUBE, FUEL TANK	0.2

Ref. No.	Part No.	Description	Reqd. QTY				Serial No.	Parts catalogue code
			GX 160 UT1	GX 160 RT1	GX 160 UT2	GX 160 RT2		
1	16854-ZH8-000	RUBBER, SUPPORTER(107MM)	1	-	1	-	HH26, HHQ4, HX2, HX4, HXE8, HXU, LHN4, LHQ4, LX2, LX26, LX4, LXM2, LXU, PXU, QA2, QA26, QAX2, QAX4, QBC2, QBM2, QBT6, QCB2, QGR9, QH26, QHQ4, QHQU, QKA4, QMC6, QMC8, QMD6, QME4, QMP4, QMX2, QMZ2, QNT, QNT4, QPU, QW24, QWA4, QWW2, QWX2, QX2, QX26, QX4, QX7, QX9, QXC4, QXC9, QXE2, QXE4, QXE5, QXE8, QXF2, QXM2, QXP2, QXS2, QXU, QXW, QXWE, RH2, RHQ4, RTB2, RX4, RXE2, RXP2, RXU, S1CY, SD16, SG22, SG24, SHQ4, SHQU, SHRY, SMC7, SMC9, SMW2, SSX2, SWX2, SX2, SX4, SX7, SX9, SXE4, SXE5, SXS, SXS2, SXS4, SXU, TW24, TX2, TX26, TX4, TXC9, TXDU, TXU, UXU, VA2, VG24, VG29, VHA9, VMS4, VSD, VSD2, VSD7, VSD9, VWA2, VX2, VX4, VXE9, VXU1, VXXW2, WKS, WKT2, WKT4, WKT6, WMBO, SWG4, VS19	
	16854-ZH8-810	RUBBER, SUPPORTER(50MM)	-	-	-	1	VPM5	
2	16955-ZE1-000	JOINT, FUEL TANK	1	-	-	-	QAX4, QHQU, QXC4, SG22, SHQU, SX2, SXS, SXS2, VSD2	
	16955-ZE1-010	1	-	-	-	QXP2, RXP2	
	16955-ZE1-000	1	-	-	2490032	HH26, HHQ4, HX2, HX4, HXE8, HXU, LHQ4, LX2, LX26, LX4, LXU, PXU, QA2, QA26, QAX2, QBC2, QBM2, QBT6, QCB2, QGR9, QH26, QHQ4, QKA4, QMC6, QMC8, QMD6, QME4, QMP4, QMZ2, QNT, QNT4, QPU, QW24, QWA4, QWW2, QWX2, QX2, QX26, QX4, QX7, QX9, QXC9, QXE2, QXE4, QXE5, QXE8, QXF2, QXS2, QXU, QXW, QXWE, RH2, RHQ4, RTB2, RX4, RXE2, RXU, SD16, SG24, SHQ4, SMC7, SMC9, SSX2, SWX2, SX4, SX7, SX9, SXE4, SXE5, SXS4, SXU, TW24, TX2, TX26, TX4, TXC9, TXDU, TXU, UXU, VA2, VG24, VG29, VMS4, VSD, VSD7, VSD9, VWA2, VX2, VX4, VXE9, VXU1, WKS, WKT2, WKT4, WKT6, WMBO	

2

E-17

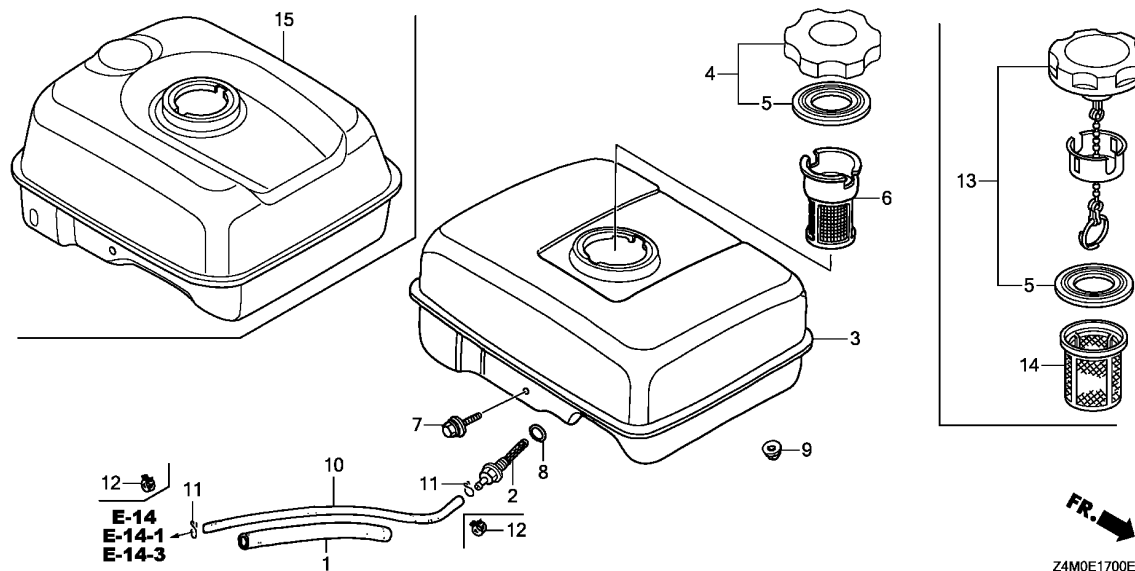
FUEL TANK



Ref. No.	Part No.	Description	Reqd. QTY				Serial No.	Parts catalogue code
			GX 160 UT1	GX 160 RT1	GX 160 UT2	GX 160 RT2		
(2)	16955-ZE1-010	JOINT, FUEL TANK	1	-	-	-	2490033	HH26, HHQ4, HX2, HX4, HXE8, HXU, LHQ4, LX2, LX26, LX4, LXU, PXU, QA2, QA26, QAX2, QBC2, QBM2, QBT6, QCB2, QGR9, QH26, QHQ4, QKA4, QMC6, QMC8, QMD6, QME4, QMP4, QMZ2, QNT, QNT4, QPU, QW24, QWA4, QWW2, QWX2, QX2, QX26, QX4, QX7, QX9, QXC9, QXE2, QXE4, QXE5, QXE8, QXF2, QXS2, QXU, QXW, QXWE, RH2, RHQ4, RTB2, RX4, RXE2, RXU, SD16, SG24, SHQ4, SMC7, SMC9, SXS2, SWX2, SX4, SX7, SX9, SXE4, SXE5, SXS4, SXU, TW24, TX2, TX26, TX4, TXC9, TXDU, TXU, U XU, VA2, VG24, VG29, VMS4, VSD, VSD7, VSD9, VWA2, VX2, VX4, VXE9, VXU1, WKS, WKT2, WKT4, WKT6, WMBO
3	17510-ZOT-010ZC	TANK COMP., FUEL *NH31*.....MCKINLEY WHITE	1	-	-	-		HH26, HHQ4, HX2, HX4, HXE8, HXU, QAX2, QAX4, QBM2, QHQ4, QKA4, QNT4, QXC4, QXC9, QXE4, QXE5, QXE8, QXP2, QXW, QXWE, RH2, RHQ4, RTB2, RX4, RXE2, RXP2, RXU, SHQU, SX2, SXE4, SXE5, SXS, SXS2, TXC9, TXDU, UXU, VSD2, WMBO
	17510-ZOT-010ZA	*NH1*.....BLACK	1	-	-	-		HX2, QBM2, QXC4, QXC9, RH2, SG22, SXS2, VG29
	17510-ZOT-000ZB	*NH105*...MAT BLACK (#15-#20)	1	-	-	-	2183942	QWW2, QWX2, SWX2, TW24, VWA2
	17510-ZOT-000ZC	*NH31*.....MCKINLEY WHITE	1	-	-	-	2189652	LHQ4, LX2, LX26, LX4, LXU, PXU, QA2, QA26, QBC2, QBT6, QGR9, QH26, QHQ4, QMC6, QMC8, QMD6, QME4, QMP4, QMZ2, QNT, QPU, QWA4, QWW2, QWX2, QX2, QX26, QX4, QX7, QX9, QXE2, QXF2, QXS2, QXU, SD16, SG24, SHQ4, SMC7, SMC9, SX4, SX7, SX9, SXS4, SXU, TX2, TX26, TX4, TXU, VA2, VG24, VMS4, VSD, VSD7, VSD9, VWA2, VX2, VX4, VXE9, VXU1, WKS, WKT2, WKT4, WKT6
	17510-ZOT-000ZA	*NH1*.....BLACK	1	-	-	-	2189652	LX2, PXU, QA2, QA26, QBC2, QBT6, QCB2, QGR9, QH26, QHQ4, QMC6, QMC8, QMD6, QME4, QMZ2, QNT, QPU, QW24, QWA4, QWW2, QWX2, QX2, QX26, QX4, QX7, QX9, QXE2, QXF2, QXS2, QXU, SD16, SG24, SHQ4, SMC7, SMC9, SX4, SX7, SX9, SXS4, SXU, TW24, TX2, TX26, TX4, TXU, VA2, VG24, VMS4, VSD, VSD7, VSD9, VWA2, VX2, VX4, VXU1, WKS, WKT6
	17510-ZOT-010ZB	*NH105*...MAT BLACK (#15-#20)	1	-	-	-	2183943	QWW2, QWX2, SWX2, TW24, VWA2

Ref. No.	Part No.	Description	Reqd. QTY				Serial No.	Parts catalogue code
			GX 160 UT1	GX 160 RT1	GX 160 UT2	GX 160 RT2		
(3)	17510-ZOT-010ZC	TANK COMP., FUEL *NH31*.....MCKINLEY WHITE	1	-	-	-	2189653	LHQ4, LX2, LX26, LX4, LXU, PXU, QA2, QA26, QBC2, QBT6, QGR9, QH26, QHQ4, QMC6, QMC8, QMD6, QME4, QMP4, QMZ2, QNT, QPU, QWA4, QWX2, QX2, QX26, QX4, QX7, QX9, QXE2, QXF2, QXS2, QXU, SD16, SG24, SHQ4, SMC7, SMC9, SX4, SX7, SX9, SXS4, SXU, TX2, TX26, TX4, TXU, VA2, VG24, VMS4, VSD, VSD7, VSD9, VWA2, VX2, VX4, VXE9, VXU1, WKS, WKT2, WKT4, WKT6
	17510-ZOT-010ZA	*NH1*.....BLACK	1	-	-	-	2189653	LX2, PXU, QA2, QA26, QBC2, QBT6, QCB2, QGR9, QH26, QHQ4, QMC6, QMC8, QMD6, QME4, QMZ2, QNT, QPU, QW24, QWA4, QWW2, QWX2, QX2, QX26, QX4, QX7, QX9, QXE2, QXF2, QXS2, QXU, SD16, SG24, SHQ4, SMC7, SMC9, SX4, SX7, SX9, SXS4, SXU, TW24, TX2, TX26, TX4, TXU, VA2, VG24, VMS4, VSD, VSD7, VSD9, VWA2, VX2, VX4, VXU1, WKS, WKT6
4	17620-ZOT-813	CAP COMP., FUEL FILLER (CHROME PLATED) (RADICON)	1	-	-	-	1706983	LHQ4, LX2, LX26, LX4, LXU, PXU, QA2, QA26, QBC2, QBT6, QCB2, QGR9, QH26, QHQ4, QMC6, QMC8, QMD6, QME4, QMP4, QMZ2, QNT, QPU, QW24, QWA4, QWW2, QWX2, QX2, QX26, QX4, QX7, QX9, QXE2, QXF2, QXS2, QXU, SD16, SG24, SHQ4, SMC7, SMC9, SWX2, SX4, SX7, SX9, SXS4, SXU, TW24, TX2, TX26, TX4, TXU, VA2, VG24, VMS4, VSD, VSD7, VSD9, VWA2, VX2, VX4, VXE9, VXU1, WKS, WKT2, WKT4, WKT6
	17620-899-013	CAP COMP., FUEL FILLER	-	-	-	1	-----	VWS
5	17631-ZOT-801	PACKING, FUEL FILLER CAP (39X62X3) (RADICON)	1	-	-	-	-----	HH26, HHQ4, HX2, HX4, HXE8, HXU, QAX2, QAX4, QBM2, QHQU, QKA4, QNT4, QXC4, QXC9, QXE4, QXE5, QXE8, QXP2, QXW, QXWE, RH2, RHQ4, RTB2, RX4, RXE2, RXP2, RXU, SG22, SHQU, SSX2, SX2, SXE4, SXE5, SXS, SXS2, TXC9, UXU, VG29, VSD2, WMB0
	17631-24H-800	PACKING, FUEL FILLER CAP (39X62X3)	1	-	-	-	1991087	LHQ4, LX2, LX26, LX4, LXU, PXU, QA2, QA26, QBC2, QBT6, QCB2, QGR9, QH26, QHQ4, QMC6, QMC8, QMD6, QME4, QMP4, QMZ2, QNT, QPU, QW24, QWA4, QWW2, QWX2, QX2, QX26, QX4, QX7, QX9, QXE2, QXF2, QXS2, QXU, SD16, SG24, SHQ4, SMC7, SMC9, SWX2, SX4, SX7, SX9, SXS4, SXU, TW24, TX2, TX26, TX4, TXU, VA2, VG24, VMS4, VSD, VSD7, VSD9, VWA2, VX2, VX4, VXE9, VXU1, WKS, WKT2, WKT4, WKT6
			1	-	-	-	2125381	TXDU
			1	-	-	-	1991088	LHQ4, LX2, LX26, LX4, LXU, PXU, QA2, QA26, QBC2, QBT6, QCB2, QGR9, QH26, QHQ4, QMC6, QMC8, QMD6, QME4, QMP4, QMZ2, QNT, QPU, QW24, QWA4, QWW2, QWX2, QX2, QX26, QX4, QX7, QX9, QXE2, QXF2, QXS2, QXU, SD16, SG24, SHQ4, SMC7, SMC9, SWX2, SX4, SX7, SX9, SXS4, SXU, TW24, TX2, TX26, TX4, TXU, VA2, VG24, VMS4, VSD, VSD7, VSD9, VWA2, VX2, VX4, VXE9, VXU1, WKS, WKT2, WKT4, WKT6
	17631-ZOT-801	PACKING, FUEL FILLER CAP (39X62X3) (RADICON)	1	-	-	-	2125382	LHQ4, LX2, LX26, LX4, LXU, PXU, QA2, QA26, QBC2, QBT6, QCB2, QGR9, QH26, QHQ4, QMC6, QMC8, QMD6, QME4, QMP4, QMZ2, QNT, QPU, QW24, QWA4, QWW2, QWX2, QX2, QX26, QX4, QX7, QX9, QXE2, QXF2, QXS2, QXU, SD16, SG24, SHQ4, SMC7, SMC9, SWX2, SX4, SX7, SX9, SXS4, SXU, TW24, TX2, TX26, TX4, TXDU, TXU, VA2, VG24, VMS4, VSD, VSD7, VSD9, VWA2, VX2, VX4, VXE9, VXU1, WKS, WKT2, WKT4, WKT6
	17631-899-000	PACKING, FUEL FILLER CAP	-	-	1	-	-----	VWS
6	17672-ZE2-W01	FILTER, FUEL	1	-	-	-	1706983	QA2, QA26, QBC2, QMZ2, QNT, WKT2, WKT4, WKT6
	17670-899-000	FILTER COMP., FUEL	(1)	-	-	-	1706983	WKS
7	90004-ZH7-003	BOLT, FLANGE, 6X29	1	-	1	-	-----	VWS
			1	-	1	-	-----	HH26, HHQ4, HX2, HX4, HXE8, HXU, LHN4, LHQ4, LX2, LX26, LX4, LXM2, LXU, PXU, QA2, QA26, QAX2, QAX4, QBC2, QBM2, QBT6, QCB2, QGR9, QH26, QHQ4, QHQU, QKA4, QMC6, QMC8, QMD6, QME4, QMP4, QMX2, QMZ2, QNT, QNT4, QPU, QW24, QWA4, QWW2, QWX2, QX2, QX26, QX4, QX7, QX9, QXC4, QXC9, QXE2, QXE4, QXE5, QXE8, QXF2, QXM2, QXP2, QXS2, QXU, QXW, QXWE, RH2, RHQ4, RTB2, RX4, RXE2, RXP2, RXU, S1CY, SD16, SG22, SG24, SHQ4, SHQU, SHRY, SMC7, SMC9, SMW2, SSX2, SWX2, SX2, SX4, SX7, SX9, SXE4, SXE5, SXS, SXS2, SXS4, SXU, TW24, TX2, TX26, TX4, TXC9, TXDU, TXU, UXU, VA2, VG24, VG29, VMS4, VSD, VSD2, VSD7, VSD9, VWA2, VX2, VX4, VXE9, VXU1, WKS, WKT2, WKT4, WKT6, WMB0



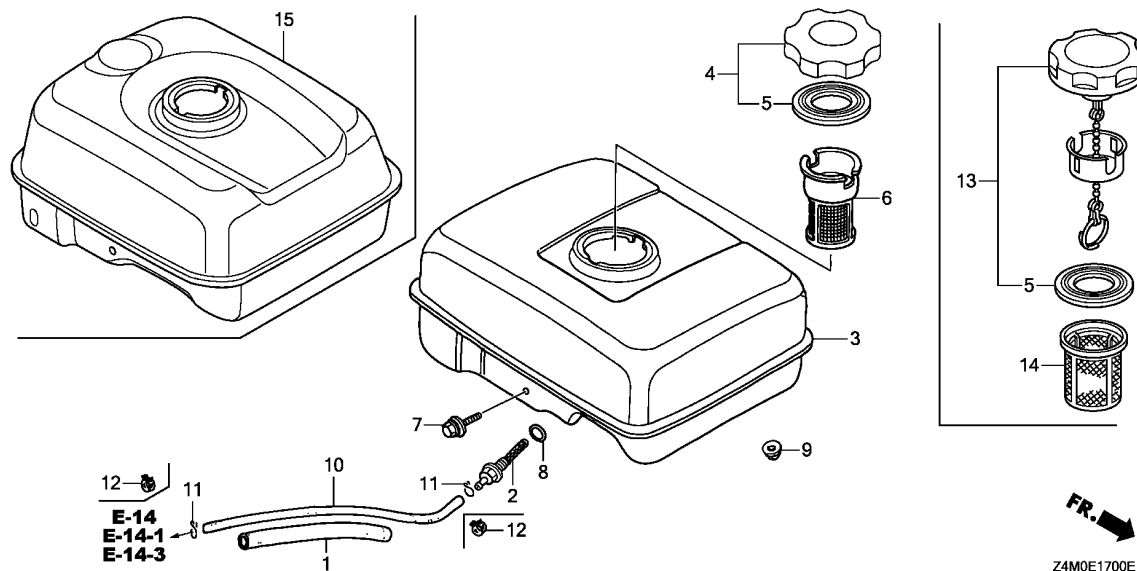


2

Ref. No.	Part No.	Description	Reqd. QTY				Serial No.	Parts catalogue code
			GX 160 UT1	GX 160 RT1	GX 160 UT2	GX 160 RT2		
8	91353-671-004	O-RING, 14MM(NOK)	1	-	1	-	HH26, HHQ4, HX2, HX4, HXE8, HXU, LHN4, LHQ4, LX2, LX26, LX4, LXM2, LXU, PXU, QA2, QA26, QAX2, QAX4, QBC2, QBM2, QBT6, QCB2, QGR9, QH26, QHQ4, QHQU, QKA4, QMC6, QMC8, QMD6, QME4, QMP4, QMX2, QMZ2, QNT, QNT4, QPU, QW24, QWA4, QWW2, QWX2, QX2, QX26, QX4, QX7, QX9, QXC4, QXC9, QXE2, QXE4, QXE5, QXE8, QXF2, QXM2, QXP2, QXS2, QXU, QXW, QXWE, RH2, RHQ4, RTB2, RX4, RXE2, RXP2, RXU, S1CY, SD16, SG22, SG24, SHQ4, SHQU, SHRY, SMC7, SMC9, SMW2, SSX2, SWX2, SX2, SX4, SX7, SX9, SXE4, SXE5, SXS, SXS2, SXS4, SXU, TW24, TX2, TX26, TX4, TXC9, TXDU, TXU, UXU, VA2, VG24, VG29, VMS4, VSD, VSD2, VSD7, VSD9, VWA2, VX2, VX4, VXE9, VXU1, WKS, WKT2, WKT4, WKT6, WMBO	
9	94050-06000	NUT, FLANGE, 6MM	2	-	2	-	HH26, HHQ4, HX2, HX4, HXE8, HXU, LHN4, LHQ4, LX2, LX26, LX4, LXM2, LXU, PXU, QA2, QA26, QAX2, QAX4, QBC2, QBM2, QBT6, QCB2, QGR9, QH26, QHQ4, QHQU, QKA4, QMC6, QMC8, QMD6, QME4, QMP4, QMX2, QMZ2, QNT, QNT4, QPU, QW24, QWA4, QWW2, QWX2, QX2, QX26, QX4, QX7, QX9, QXC4, QXC9, QXE2, QXE4, QXE5, QXE8, QXF2, QXM2, QXP2, QXS2, QXU, QXW, QXWE, RH2, RHQ4, RTB2, RX4, RXE2, RXP2, RXU, S1CY, SD16, SG22, SG24, SHQ4, SHQU, SHRY, SMC7, SMC9, SMW2, SSX2, SWX2, SX2, SX4, SX7, SX9, SXE4, SXE5, SXS, SXS2, SXS4, SXU, TW24, TX2, TX26, TX4, TXC9, TXDU, TXU, UXU, VA2, VG24, VG29, VMS4, VSD, VSD2, VSD7, VSD9, VWA2, VX2, VX4, VXE9, VXU1, WKS, WKT2, WKT4, WKT6, WMBO	
10	91424-Z4F-802	TUBE, FUEL, 4.5X140(FKM)	1	-	-	-	HH26, HHQ4, HX2, HX4, HXE8, HXU, QAX2, QAX4, QBM2, QHQU, QKA4, QNT4, QXC4, QXC9, QXE4, QXE5, QXE8, QXP2, QXW, QXWE, RH2, RHQ4, RTB2, RX4, RXE2, RXP2, RXU, SG22, SHQU, SSX2, SX2, SXE4, SXE5, SXS, SXS2, TXC9, UXU, VG29, VSD2, WMBO	
	91424-Z4F-801		1	-	-	-	TXDU	

Ref. No.	Part No.	Description	Reqd. QTY				Serial No.	Parts catalogue code
			GX 160 UT1	GX 160 RT1	GX 160 UT2	GX 160 RT2		
10)	95001-45140-40	TUBE, FUEL, 4.5X140 (95001-45001-60M)	1	-	-	-	----- 1268513	LHQ4, LX2, LX26, LX4, LXU, PXU, QA2, QA26, QBC2, QBT6, QCB2, QGR9, QH26 QH4, QMC6, QMC8, QMD6, QME4, QMP4, QMZ2, QNT, QPU, QW24, QWA4, QWW2, QWX2 QX2, QX26, QX4, QX7, QX9, QXE2, QXF2, QXS2, QXU, SD16, SG24, SHQ4, SMC7 SMC9, SWX2, SX4, SX7, SX9, SXS4, SXU, TW24, TX2, TX26, TX4, TXU, VA2, VG24 VHA9, VMS4, VSD, VSD7, VSD9, VWA2, VX2, VX4, VXE9, VXU1, VXW2, WKS, WKT2 WKT4, WKT6
	91424-24F-801	TUBE, FUEL, 4.5X140(FKM)	1	-	-	-	----- 1268514	LHQ4, LX2, LX26, LX4, LXU, PXU, QA2, QA26, QBC2, QBT6, QCB2, QGR9, QH26 QH4, QMC6, QMC8, QMD6, QME4, QMP4, QMZ2, QNT, QPU, QW24, QWA4, QWW2, QWX2 QX2, QX26, QX4, QX7, QX9, QXE2, QXF2, QXS2, QXU, SD16, SG24, SHQ4, SMC7 SMC9, SWX2, SX4, SX7, SX9, SXS4, SXU, TW24, TX2, TX26, TX4, TXU, VA2, VG24 VHA9, VMS4, VSD, VSD7, VSD9, VWA2, VX2, VX4, VXE9, VXU1, VXW2, WKS, WKT2 WKT4, WKT6
	91424-24M-003	TUBE, FUEL, 4.5X145(FKM)	-	-	1	-		
11	95002-02080	CLIP, TUBE(B8)	2	-	-	-	----- 1268513	LHQ4, LX2, LX26, LX4, LXU, PXU, QA2, QA26, QBC2, QBT6, QCB2, QGR9, QH26 QH4, QMC6, QMC8, QMD6, QME4, QMP4, QMZ2, QNT, QPU, QW24, QWA4, QWW2, QWX2 QX2, QX26, QX4, QX7, QX9, QXE2, QXF2, QXS2, QXU, SD16, SG24, SHQ4, SMC7 SMC9, SWX2, SX4, SX7, SX9, SXS4, SXU, TW24, TX2, TX26, TX4, TXU, VA2, VG24 VHA9, VMS4, VSD, VSD7, VSD9, VWA2, VX2, VX4, VXE9, VXU1, VXW2, WKS, WKT2 WKT4, WKT6
12	95002-40800-08	CLAMP, TUBE(D8)	2	-	-	-	-----	HH26, HHQ4, HX2, HX4, HXE8, HXU, QAX2, QAX4, QBM2, QHQU, QKA4, QNT4, QXC4 QXC9, QXE4, QXE5, QXE8, QXP2, QXW, QXWE, RH2, RHQ4, RTB2, RX4, RXE2, RXP2 RXU, SG22, SHQU, SXS2, SX2, SXE4, SXE5, SXS, SXS2, TXC9, TXDU, UXU, VG29 VSD2, WMB0
			2	-	-	-	----- 1268514	LHQ4, LX2, LX26, LX4, LXU, PXU, QA2, QA26, QBC2, QBT6, QCB2, QGR9, QH26 QH4, QMC6, QMC8, QMD6, QME4, QMP4, QMZ2, QNT, QPU, QW24, QWA4, QWW2, QWX2 QX2, QX26, QX4, QX7, QX9, QXE2, QXF2, QXS2, QXU, SD16, SG24, SHQ4, SMC7 SMC9, SWX2, SX4, SX7, SX9, SXS4, SXU, TW24, TX2, TX26, TX4, TXU, VA2, VG24 VHA9, VMS4, VSD, VSD7, VSD9, VWA2, VX2, VX4, VXE9, VXU1, VXW2, WKS, WKT2 WKT4, WKT6
13	17620-24H-020	CAP COMP., FUEL FILLER	1	-	-	-	-----	HH26, HHQ4, HX2, HX4, HXE8, HXU, QAX2, QAX4, QBM2, QHQU, QKA4, QNT4, QXC4 QXC9, QXE4, QXE5, QXE8, QXP2, QXW, QXWE, RH2, RHQ4, RTB2, RX4, RXE2, RXP2 RXU, SG22, SHQU, SXS2, SX2, SXE4, SXE5, SXS, SXS2, TXC9, UXU, VG29, VSD2 WMB0
	17620-24H-010	1	-	-	-	----- 2125381	TXDU
	17620-24H-000	1	-	-	-	----- 1706984	1991087 LHQ4, LX2, LX26, LX4, LXU, PXU, QA2, QA26, QBC2, QBT6, QCB2, QGR9, QH26 QH4, QMC6, QMC8, QMD6, QME4, QMP4, QMZ2, QNT, QPU, QW24, QWA4, QWW2, QWX2 QX2, QX26, QX4, QX7, QX9, QXE2, QXF2, QXS2, QXU, SD16, SG24, SHQ4, SMC7 SMC9, SWX2, SX4, SX7, SX9, SXS4, SXU, TW24, TX2, TX26, TX4, TXU, VA2, VG24 VMS4, VSD, VSD7, VSD9, VWA2, VX2, VX4, VXE9, VXU1, WKS, WKT2, WKT4, WKT6
	17620-24H-010	1	-	-	-	----- 1991088	2125381 LHQ4, LX2, LX26, LX4, LXU, PXU, QA2, QA26, QBC2, QBT6, QCB2, QGR9, QH26 QH4, QMC6, QMC8, QMD6, QME4, QMP4, QMZ2, QNT, QPU, QW24, QWA4, QWW2, QWX2 QX2, QX26, QX4, QX7, QX9, QXE2, QXF2, QXS2, QXU, SD16, SG24, SHQ4, SMC7 SMC9, SWX2, SX4, SX7, SX9, SXS4, SXU, TW24, TX2, TX26, TX4, TXU, VA2, VG24 VMS4, VSD, VSD7, VSD9, VWA2, VX2, VX4, VXE9, VXU1, WKS, WKT2, WKT4, WKT6
	17620-24H-020	1	-	-	-	----- 2125382	----- LHQ4, LX2, LX26, LX4, LXU, PXU, QA2, QA26, QBC2, QBT6, QCB2, QGR9, QH26 QH4, QMC6, QMC8, QMD6, QME4, QMP4, QMZ2, QNT, QPU, QW24, QWA4, QWW2, QWX2 QX2, QX26, QX4, QX7, QX9, QXE2, QXF2, QXS2, QXU, SD16, SG24, SHQ4, SMC7 SMC9, SWX2, SX4, SX7, SX9, SXS4, SXU, TW24, TX2, TX26, TX4, TXU, VA2, VG24 VMS4, VSD, VSD7, VSD9, VWA2, VX2, VX4, VXE9, VXU1, WKS, WKT2, WKT4, WKT6
	17620-24M-000	-	-	1	-		LHQ4, LX2, LX26, LX4, LXU, PXU, QA2, QA26, QBC2, QBT6, QCB2, QGR9, QH26 QH4, QMC6, QMC8, QMD6, QME4, QMP4, QMZ2, QNT, QPU, QW24, QWA4, QWW2, QWX2 QX2, QX26, QX4, QX7, QX9, QXE2, QXF2, QXS2, QXU, SD16, SG24, SHQ4, SMC7 SMC9, SWX2, SX4, SX7, SX9, SXS4, SXU, TW24, TX2, TX26, TX4, TXU, VA2, VG24 VMS4, VSD, VSD7, VSD9, VWA2, VX2, VX4, VXE9, VXU1, WKS, WKT2, WKT4 WKT6





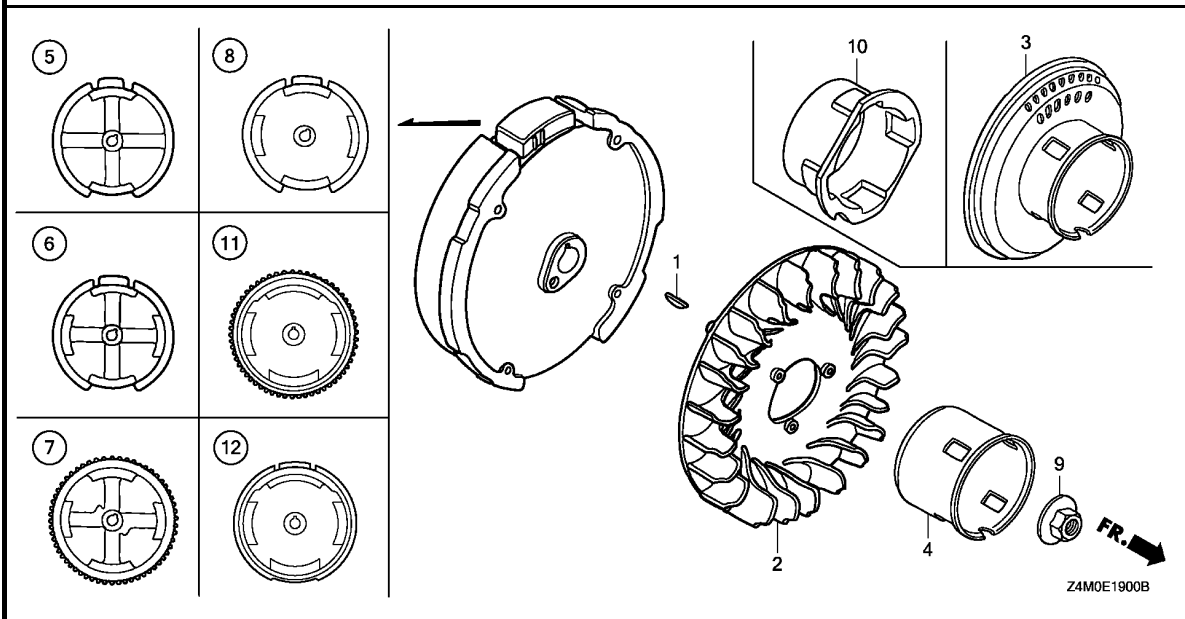
2

Ref. No.	Part No.	Description	Reqd. QTY				Serial No.	Parts catalogue code
			GX 160 UT1	GX 160 RT1	GX 160 UT2	GX 160 RT2		
14	17672-Z4H-000	FILTER, FUEL	1	-	-	-	-----	QB2, QNT4, SSX2
			1	-	-	1706984	-----	QA2, QA26, QBC2, QM2, QNT, WKT2, WKT4, WKT6
			(1)	-	-	1706984	-----	WKS
			-	-	1	-	-----	LXM2, QA2, QBC2, QBM2, QMX2, QXM2, S1CY, SHRY, SMW2, SSX2, WKT2
			-	-	(1)	-	-----	WKS
15	17510-Z4M-000ZA	TANK COMP., FUEL *NH31*.....MCKINLEY WHITE	-	-	1	-	-----	HH26, HHQ4, HX2, HX4, HXE8, LHN4, LHQ4, LX2, LX4, LXM2, PXU, QA2, QAX2, QAX4, QBC2, QBM2, QGR9, QH26, QHQ4, QMC6, QMC8, QMD6, QME4, QMP4, QPU, QWA4, QWX2, QX2, QX4, QX9, QXE2, QXE5, QXE8, QXM2, QXS2, QXU, QXWE, RH2, RHQ4, RX4, RXE2, RXU, S1CY, SD16, SHQ4, SHRY, SMC7, SMC9, SMW2, SX4, SX9, SXE5, SXS4, SXU, TX2, TX4, TXDU, UXU, VA2, VSD9, VX2, VXE9, VXU1, WKS, WKT2, WMBO
	17510-Z4M-000ZB	*NH1*.....BLACK	-	-	1	-	-----	HX2, LX2, PXU, QA2, QBC2, QBM2, QGR9, QH26, QHQ4, QMC6, QMC8, QMD6, QME4, QPU, QWA4, QWX2, QX2, QX4, QX9, QXE2, QXS2, QXU, RH2, SD16, SHQ4, SMC7, SMC9, SSX2, SWX2, SX4, SX9, SXS4, SXU, TX2, TX4, VA2, VX2, VXU1, WKS, WKT2

E-19

FLYWHEEL

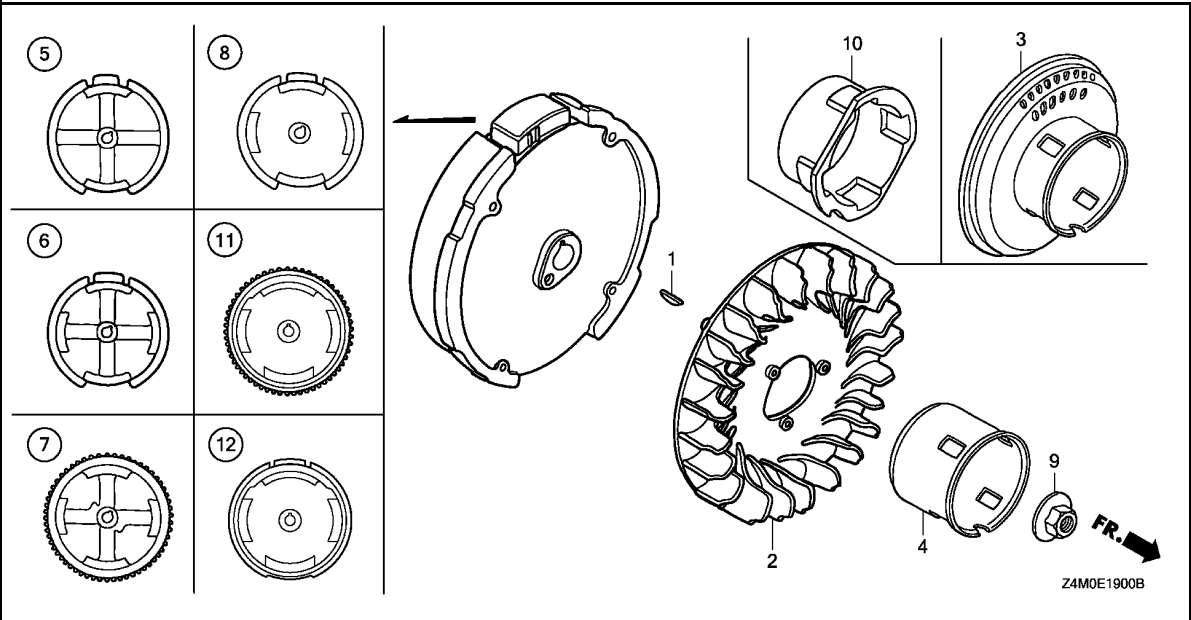
16



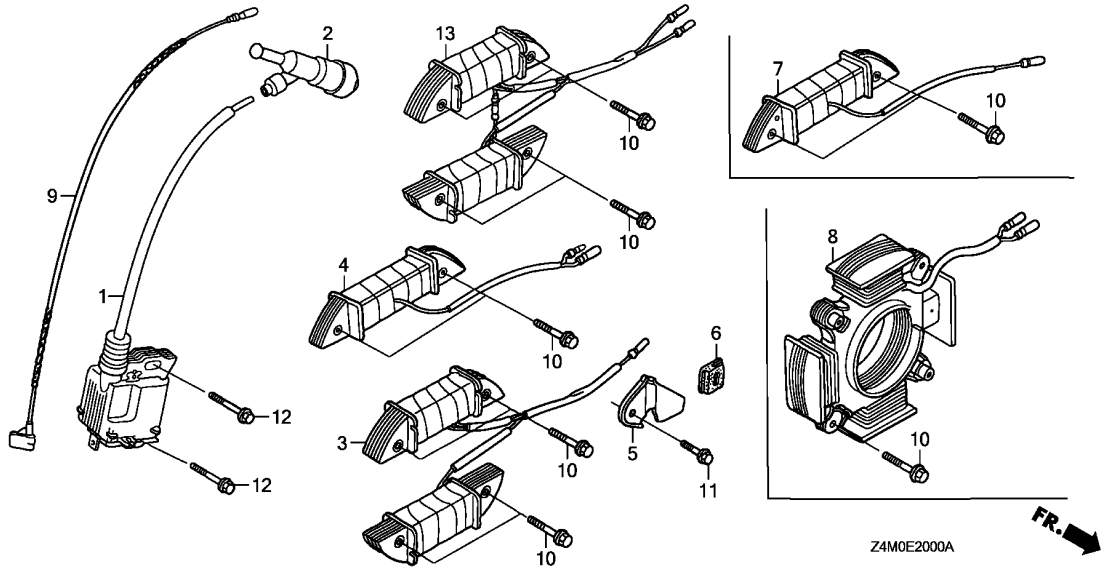
Ref. No.	L.O.N.	(Relative ref. Number) Description	F.R.T.
2	1141G7	FAN, ENGINE COOLING (3,10)	0.2
4	1121A9	PULLEY, RECOIL STARTER (6,7,8,11,12)	0.2
5	2161B5	FLYWHEEL	0.3

Ref. No.	Part No.	Description	Reqd. QTY				Serial No.	Parts catalogue code
			GX 160 UT1	GX 160 RT1	GX 160 UT2	GX 160 RT2		
1	13331-357-000	KEY, SPECIAL WOODRUFF, 25X18	1	1	1	1		
2	19511-ZE1-000	FAN, COOLING	1	1	1	1		
3	28450-ZH8-801	PULLEY COMP., STARTER	1	-	1	-	QA2,QA26,QBC2,QBM2,QMC8,QMD6,QWA4,SG22,SG24,SHRY,SMC7,SMC9 VG24	
4	28451-ZH8-801	PULLEY, STARTER	1	1	1	1	EMAN,HH26,HHQ4,HX2,HX4,HXE8,HXU,LHN4,LHQ4,LX2,LX26,LX4,LXM2 LXU,PXU,QAX2,QAX4,QBT6,QCB2,QCL,QGR9,QH26,QHG4,QHQ4,QHQ4,QKA4 QMC6,QME4,QMP4,QMX2,QMZ2,QNT,QNT4,QPU,QW24,QWW2,QWX2,QX2,QX26 QX4,QX7,QX9,QXC4,QXC9,QXE2,QXE4,QXE5,QXE8,QXF2,QXM2,QXP2,QXS2 QXU,QXW,QXWE,RH2,RHG4,RHQ4,RTB2,RX4,RXE2,RXP2,RXU,S1CY,SD16 SHQ4,SHQU,SMW2,SSX2,SWX2, SX2, SX4, SX7, SX9, SXE4, SXE5, SXS, SXS2 SXS4, SXU, TCS2, TW24, TX2, TX26, TX4, TXC9, TXDU, TXU, UXU, VA2, VES6 VG29, VGE2, VGE4, VGE5, VHA9, VHH4, VMS4, VPM4, VPM5, VPM8, VPM9, VPMN VPR4, VPR9, VS17, VS19, VSD, VSD1, VSD2, VSD7, VSD9, VWA2, VWW2, VWWN, VX2 VX4, VXE9, VXU1, VXW2, WKS, WKT2, WKT4, WKT6, WMBO	
5	31100-ZE1-010	FLYWHEEL COMP.	1	1	-	-	HH26,HHQ4,HX2,HX4,HXU,LHQ4,LX2,LX26,LX4,LXU,PXU,QA2,QA26,QBC2 QBM2,QBT6,QCB2,QCL,QH26,QHG4,QHQ4,QHQ4,QMC8,QME4,QMP4,QMZ2,QNT QNT4,QPU,QW24,QWA4,QWW2,QWX2,QX2,QX26,QX4,QXC4,QXC9,QXF2,QXU RH2,RHG4,RHQ4,RTB2,RX4,RXU,SD16,SG22,SG24,SHQ4,SHQU,SMC7,SSX2 SWX2, SX2, SX4, SXS2, SXS4, SXU, TCS2, TW24, TX2, TX26, TX4, TXC9, TXDU TXU, UXU, VA2, VG24, VG29, VGE2, VGE4, VGE5, VHH4, VMS4, VPM4, VPM5, VPMN VPR4, VSD, VSD1, VWA2, VWW2, VWWN, VX2, VX4, VXU1, VXW2, WKS, WKT2, WKT4 WKT6, WMBO	
	31100-ZE7-010	FLYWHEEL COMP.(STD.)	1	-	-	-	QX7, QX9, SX7, SX9, SXS, VHA9, VPM8, VPM9, VPR9, VS17, VS19, VSD2, VSD7 VSD9	
	31110-Z4M-000	FLYWHEEL COMP.	-	-	1	1	HH26,HHQ4,HX2,HX4,LHN4,LHQ4,LX2,LX4,LXM2,PXU,QA2,QBC2,QBM2 QH26,QHG4,QHQ4,QMC8,QME4,QMP4,QMX2,QPU,QWA4,QWX2,QX2,QX4,QX9 QXM2,QXU,RH2,RHG4,RHQ4,RX4,RXU,S1CY,SD16,SHQ4,SHRY,SMC7,SMW2 SXS2,SWX2, SX4, SX9, SXS4, SXU, TX2, TX4, TXDU, UXU, VA2, VES6, VGE4, VGE5 VHH4, VPM5, VS19, VSD9, VWS, VWWN, VX2, VXU1, WKS, WKT2, WMBO	





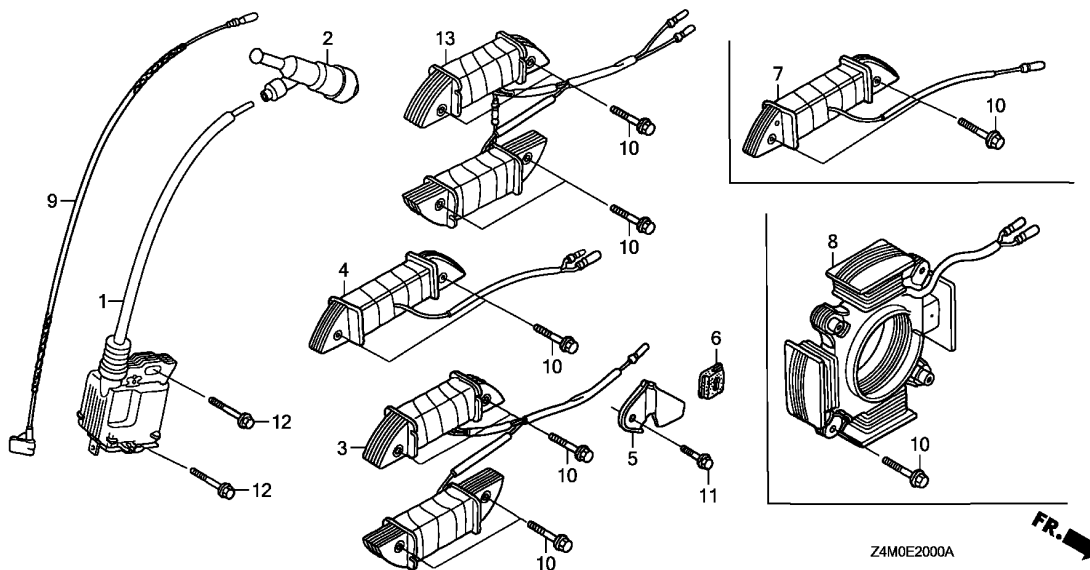
Ref. No.	Part No.	Description	Reqd. QTY				Serial No.	Parts catalogue code
			GX 160 UT1	GX 160 RT1	GX 160 UT2	GX 160 RT2		
6	31100-ZE1-811	FLYWHEEL COMP. (LAMP)	1	-	-	-	-----	QMC6, QMD6, QXS2, SMC9
	31110-Z4M-810	-	-	1	1	-----	EMAN, QMC6, QMD6, QXS2, SMC9
7	31100-ZE1-821	FLYWHEEL COMP. (STARTER MOTOR)	1	1	-	-	-----	HXE8, QKA4, QXE2, QXE4, QXE8, QXP2, QXW, RXE2, RXP2, SWG4, SXE4
	31110-ZLO-U52	FLYWHEEL COMP. (SEL-7A)	1	-	-	-	-----	QXE5, QXWE, SXE5
	31110-ZLO-821	FLYWHEEL COMP. (START)	1	-	-	-	-----	VXE9
	31110-Z4M-820	FLYWHEEL COMP. (SELF STARTER)	-	-	1	1	-----	HXE8, QXE2, QXE8, RXE2, SWG4, VXE9
8	31100-ZH8-W03	FLYWHEEL COMP. (4POLE-3MAGNET)	1	-	-	-	-----	QAX2, QAX4, QGR9
9	90201-Z0T-800	NUT, SPECIAL, 14MM	1	1	1	1	-----	
10	28451-ZH8-003	PULLEY, STARTER	-	1	-	1	-----	SWG4, VWS
11	31110-Z4M-830	FLYWHEEL COMP. (SELF STARTER-7A)	-	-	1	-	-----	QXE5, QXWE, SXE5
12	31110-Z4M-840	FLYWHEEL COMP. (4POLE-3MAGNET)	-	-	1	-	-----	QAX2, QAX4, QGR9



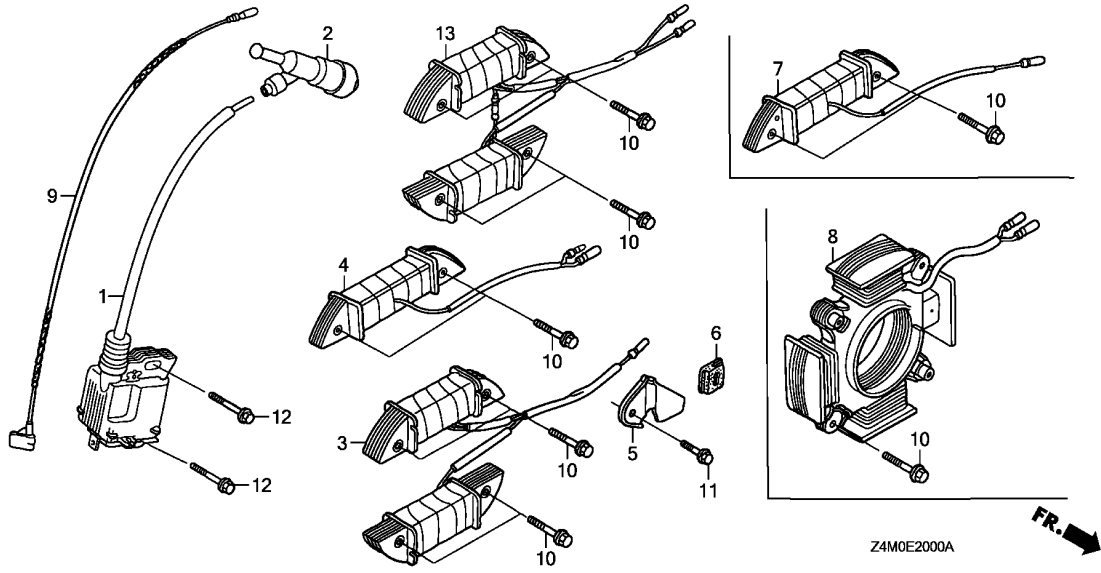
Ref. No.	L.O.N.	(Relative ref. Number) Description	F.R.T.
1	6141A5	COIL, IGNITION(ONE)	0.2
2	6141B8	TERMINAL, HIGH TENSION	0.1
3	6141A6	COIL, LAMP	0.3
7	6131C3	COIL, CHARGE	0.3
9	6111B3	CORD, STOP SWITCH	0.3

Ref. No.	Part No.	Description	Reqd. QTY				Serial No.	Parts catalogue code
			GX 160 UT1	GX 160 RT1	GX 160 UT2	GX 160 RT2		
1	30500-Z0T-802	COIL ASSY., IGNITION	1	1	-	-	-----	HH26, HHQ4, HX2, HX4, HXE8, HXU, QAX2, QAX4, QBM2, QHG4, QHQU, QKA4, QNT4, QXC4, QXC9, QXE4, QXE5, QXE8, QXP2, QXW, QXWE, RH2, RHG4, RHQ4, RTB2, RX4, RXE2, RXP2, RXU, SG22, SHQU, SSSX2, SWG4, SX2, SXE4, SXE5, SXS, SXS2, TXC9, TXDU, UXU, VG29, VGE2, VPMN, VSD2, VWWN, WMBO
	30500-Z0T-801	1	-	-	-	-----	1584276 LHQ4, LX2, LX26, LX4, LXU, PXU, QA2, QA26, QBC2, QBT6, QCB2, QCL, QGR9, QH26, QHQ4, QMC6, QMC8, QMD6, QME4, QMP4, QM22, QNT, QPU, QW24, QWA4, QWW2, QWX2, QX2, QX26, QX4, QX7, QX9, QXE2, QXF2, QXS2, QXU, SD16, SG24, SHQ4, SMC7, SMC9, SWX2, SX4, SX7, SX9, SXS4, SXU, TCS2, TW24, TX2, TX26, TX4, TXU, VA2, VG24, VGE4, VGE5, VHA9, VHH4, VMS4, VPM4, VPM5, VPM8, VPM9, VPR4, VPR9, VS17, VS19, VSD, VSD1, VSD7, VSD9, VWA2, VWW2, VX2, VX4, VXE9, VXU1, VXW2, WKS, WKT2, WKT4, WKT6
	30500-Z0T-802	1	-	-	-	-----	1584277 LHQ4, LX2, LX26, LX4, LXU, PXU, QA2, QA26, QBC2, QBT6, QCB2, QCL, QGR9, QH26, QHQ4, QMC6, QMC8, QMD6, QME4, QMP4, QM22, QNT, QPU, QW24, QWA4, QWW2, QWX2, QX2, QX26, QX4, QX7, QX9, QXE2, QXF2, QXS2, QXU, SD16, SG24, SHQ4, SMC7, SMC9, SWX2, SX4, SX7, SX9, SXS4, SXU, TCS2, TW24, TX2, TX26, TX4, TXU, VA2, VG24, VGE4, VGE5, VHA9, VHH4, VMS4, VPM4, VPM5, VPM8, VPM9, VPR4, VPR9, VS17, VS19, VSD, VSD1, VSD7, VSD9, VWA2, VWW2, VX2, VX4, VXE9, VXU1, VXW2, WKS, WKT2, WKT4, WKT6
2	30700-Z0T-811	CAP ASSY., NOISE SUPPRESSOR -	-	-	1	1	-----	EMAN, HH26, HHQ4, HX2, HX4, HXE8, HXU, LHN4, LHQ4, LX2, LX26, LX4, LXM2, LXU, PXU, QA2, QA26, QAX2, QAX4, QBC2, QBM2, QBT6, QCB2, QCL, QGR9, QH26, QHG4, QHQ4, QHQU, QKA4, QMC6, QMC8, QMD6, QME4, QMP4, QMX2, QM22, QNT, QNT4, QPU, QW24, QWA4, QWW2, QWX2, QX2, QX26, QX4, QX7, QX9, QXC4, QXC9, QXE2, QXE4, QXE5, QXE8, QXF2, QXM2, QXP2, QXS2, QXU, QXW, QXWE, RH2, RHG4, RHQ4, RTB2, RX4, RXE2, RXP2, RXU, S1CY, SD16, SG22, SG24, SHQ4, SHQU, SHRY, SMC7, SMC9, SMW2, SSSX2, SWG4, SWX2, SX2, SX4, SX7, SX9, SXE4, SXE5, SXS, SXS2, SXS4, SXU, TCS2, TW24, TX2, TX26, TX4, TXC9, TXDU, TXU, UXU, VA2, VES6, VG24, VG29, VHA9, VHH4, VMS4, VSD, VSD2, VSD7, VSD9, VWA2, VWS, VWW2, VWWN, VX2, VX4, VXE9, VXU1, VXW2, WKS, WKT2, WKT4, WKT6, WMBO



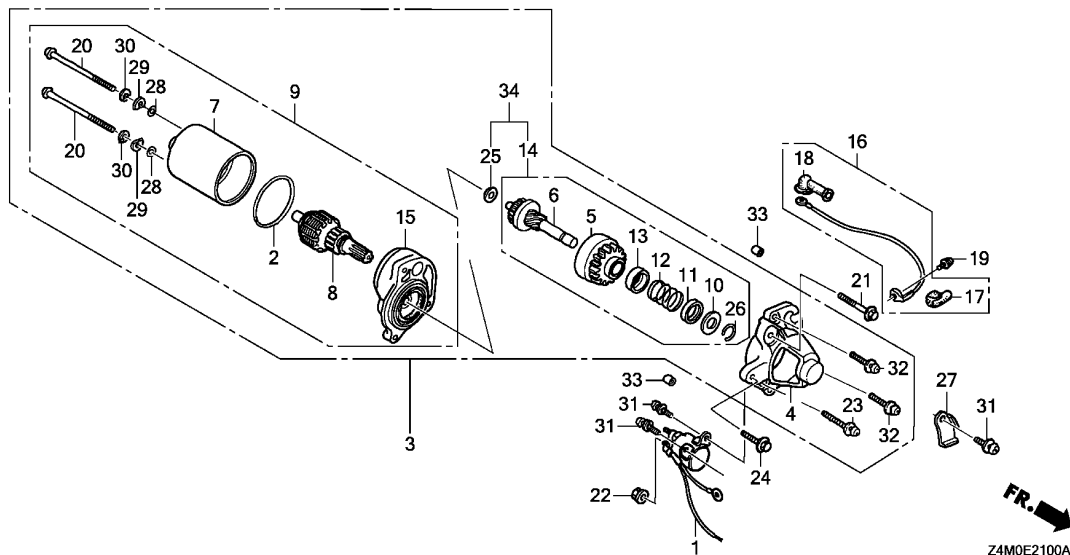


Ref. No.	Part No.	Description	Reqd. QTY				Serial No.	Parts catalogue code
			GX 160 UT1	GX 160 RT1	GX 160 UT2	GX 160 RT2		
(2)	30700-ZF5-013	CAP ASSY., NOISE SUPPRESSOR	1	-	-	1	-----	VGE2,VGE4,VGE5,VPM4,VPM5,VPM8,VPM9,VPMN,VPR4,VPR9,VS17,VS19 VSD1
3	31510-ZE1-711	COIL ASSY., LAMP(12V/50W)	1	-	1	-	-----	QMC6,QMD6,QXS2
4	31510-ZE1-811	COIL ASSY., LAMP(12V/25W)	1	-	1	1	-----	EMAN,SMC9
5	31511-ZE1-000	CLAMPER, CORD	1	-	1	1	-----	EMAN,HXE8,QAX2,QAX4,QGR9,QKA4,QMC6,QMD6,QXE2,QXE4,QXE5,QXE8 QXP2,QXS2,QXW,QXWE,RXE2,RXP2,SMC9,SXE4,SXE5,VXE9
6	31512-ZE1-000	GROMMET, CORD	1	1	1	1	-----	EMAN,HXE8,QAX2,QAX4,QGR9,QKA4,QMC6,QMD6,QXE2,QXE4,QXE5,QXE8 QXP2,QXS2,QXW,QXWE,RXE2,RXP2,SMC9,SWG4,SXE4,SXE5,VXE9
7	31630-ZE1-013	COIL ASSY., CHARGE(1A)	1	-	1	-	-----	HXE8,QKA4,QXE2,QXE4,QXE8,QXP2,RXE2,RXP2,SXE4,VXE9
8	31630-ZH8-W01	COIL ASSY., CHARGE(12V-7A)	1	-	1	-	-----	QAX2,QAX4,QGR9,QXE5,QXWE,SXE5
9	36101-ZE1-010	CORD, STOP SWITCH(370MM)	1	1	1	1	-----	EMAN,HH26,HHQ4,HX2,HX4,HXU,LHN4,LHQ4,LX2,LX26,LX4,LXM2,LXU,PXU QA2,QA26,QAX2,QAX4,QBC2,QBM2,QBT6,QCB2,QCL,QGR9,QH26,QHG4,QHQ4 QHQU,QMC6,QMC8,QMD6,QME4,QMP4,QMX2,QMZ2,QNT,QNT4,QPU,QW24,QWA4 QWW2,QWX2,QX2,QX26,QX4,QX7,QX9,QXC4,QXC9,QXF2,QXM2,QXS2,QXU RH2,RHG4,RHQ4,RTB2,RX4,RXU,S1CY,SD16,SG22,SG24,SHQ4,SHQU,SHRY SMC7,SMC9,SMW2,SSX2,SWX2,SX2,SX4,SX7,SX9,SXS,SXS2,SXS4,SXU TCS2,TW24,TX2,TX26,TX4,TC9,TXDU,TXU,UXU,VA2,VG24,VG29,VGE2 VGE4,VGE5,VHA9,VHH4,VMS4,VPM4,VPM5,VPM8,VPM9,VPMN,VPR4,VPR9 VS17,VS19,VSD,VSD1,VSD2,VSD7,VSD9,VWA2,VWW2,VWVN,VX2,VX4,VXU1 VXW2,WKS,WKT2,WKT4,WKT6,WMB0
	36101-ZB2-010	CORD, STOP SWITCH(395MM)	1	1	1	1	-----	HXE8,QKA4,QXE2,QXE4,QXE5,QXE8,QXP2,QXW,QXWE,RXE2,RXP2,SWG4 SXE4,SXE5,VES6,VWS,VXE9
10	90015-883-000	BOLT, FLANGE, 6X28(CT200)	2	-	2	-	-----	HXE8,QKA4,QXE2,QXE4,QXE8,QXP2,RXE2,RXP2,SMC9,SXE4,VXE9
			4	-	4	-	-----	QAX2,QAX4,QGR9,QMC6,QMD6,QXE5,QXS2,QXW,QXWE,SXE5
			-	-	-	2	-----	EMAN
11	90019-883-000	BOLT, FLANGE, 5X10	1	-	1	1	-----	EMAN,HXE8,QAX2,QAX4,QGR9,QKA4,QMC6,QMD6,QXE2,QXE4,QXE5,QXE8 QXP2,QXS2,QXW,QXWE,RXE2,RXP2,SMC9,SXE4,SXE5,VXE9



Ref. No.	Part No.	Description	Reqd. QTY				Serial No.	Parts catalogue code
			GX 160 UT1	GX 160 RT1	GX 160 UT2	GX 160 RT2		
12	90121-952-000	BOLT, FLANGE, 6X25(CT200) ...	2	2	2	2		
13	31630-ZF1-801	COIL ASSY., CHARGE(2.8A)	1	-	-	-	----- QXW	



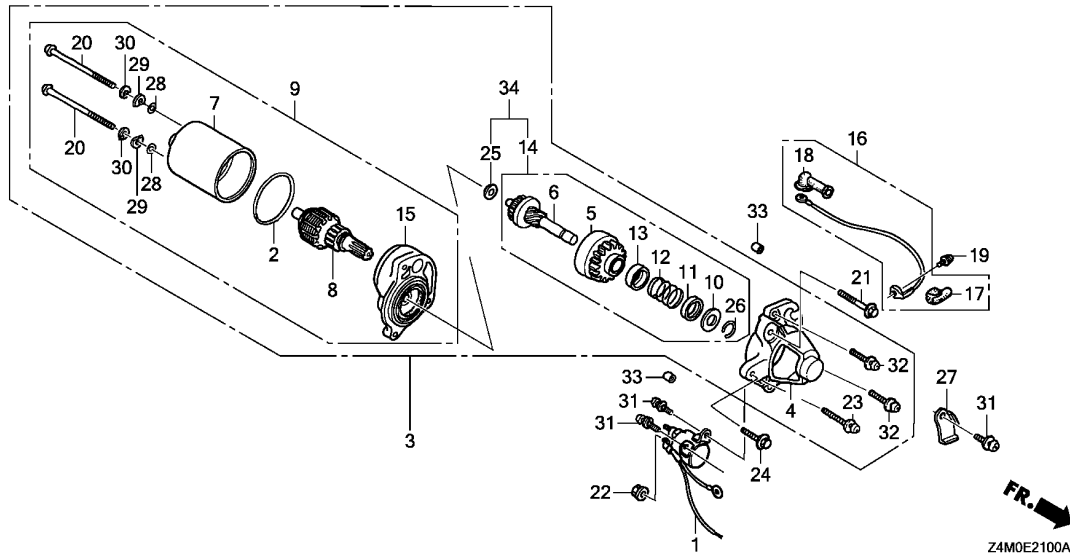


Ref. No.	L.O.N.	(Relative ref. Number) Description	F.R.T.
1	6121C9	SWITCH, STARTER MAGNETIC	0.2
3	6121D5	MOTOR, STARTER	0.2
4	6121B1	COVER, GEAR	0.3
6		(5,10,11,12,13,26)	
6	6121E4	SHAFT SET, STARTER GEAR	0.4
7	6121D1	YOKE, STARTER	0.4
8	6121A0	ARMATURE, STARTER	0.4
9	6121B8	MOTOR ONLY	0.3
14		(34)	
14	6121B0	CLUTCH, OVERRUNNING	0.4
15	6121D2	BRACKET, STARTER :FRONT	0.4

Z4M0E2100A

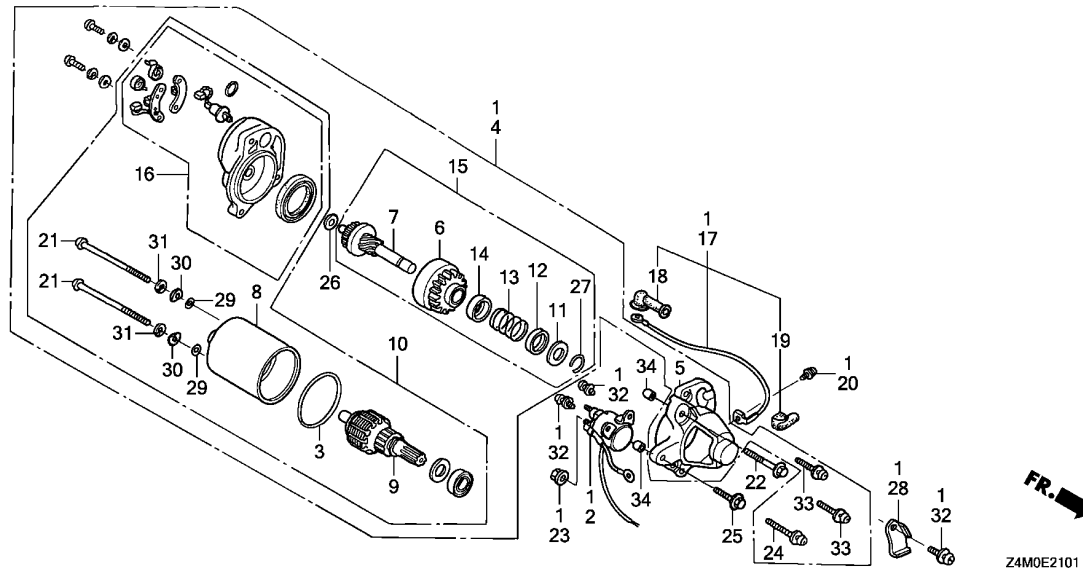
Ref. No.	Part No.	Description	Reqd. QTY				Serial No.	Parts catalogue code
			GX 160 UT1	GX 160 RT1	GX 160 UT2	GX 160 RT2		
1	31204-ZE1-013	SWITCH COMP., STARTING MAGNET	1	1	1	-----	HXE8,QKA4,QXE4,QXE5,QXE8,QXW,QXWE,RXE2,SWG4,SXE4,SXE5	
	31204-ZE1-003	1	-	-	-----	QXE2,VXE9	
	31204-ZE1-013	-	-	1	-----	HXE8,QXE2,QXE5,QXE8,QXWE,RXE2,SXE5,VXE9	
2	31206-KN7-670	O-RING	1	1	-	-----	HXE8,QKA4,QXE2,QXE4,QXE5,QXE8,QXW,QXWE,RXE2,SWG4,SXE4,SXE5	
	31206-Z4M-003	-	-	1	-----	VXE9	
3	31210-ZE1-023	MOTOR UNIT, STARTER(SM-11203) (162MM)	1	1	-	-----	HXE8,QXE2,QXE5,QXE8,QXWE,SWG4,SXE5,VXE9	
	31210-Z4M-003	MOTOR UNIT, STARTING	-	-	1	-----	HXE8,QXE2,QXE5,QXE8,QXWE,RXE2,SWG4,SXE5,VXE9	
4	31212-ZE1-003	COVER COMP., GEAR	1	1	-	-----	HXE8,QKA4,QXE2,QXE4,QXE5,QXE8,QXW,QXWE,RXE2,SWG4,SXE4,SXE5	
	31212-Z4M-003	-	-	1	-----	VXE9	
5	31214-ZE1-003	PINION ASSY.	1	1	-	-----	HXE8,QXE2,QXE5,QXE8,QXWE,RXE2,SWG4,SXE5,VXE9	
	31214-Z4M-003	-	-	1	-----	HXE8,QKA4,QXE2,QXE4,QXE5,QXE8,QXW,QXWE,RXE2,SWG4,SXE4,SXE5	
6	31215-ZE1-003	SHAFT UNIT, GEAR	1	1	-	-----	VXE9	
	31215-Z4M-003	-	-	1	-----	HXE8,QXE2,QXE5,QXE8,QXWE,RXE2,SWG4,SXE5,VXE9	
7	31216-ZE1-003	YOKE ASSY.	1	1	-	-----	HXE8,QKA4,QXE2,QXE4,QXE5,QXE8,QXW,QXWE,RXE2,SWG4,SXE4,SXE5	
	31216-Z4M-003	-	-	1	-----	VXE9	
8	31217-ZE1-013	ROTOR ASSY.	1	1	-	-----	HXE8,QXE2,QXE5,QXE8,QXWE,RXE2,SWG4,SXE5,VXE9	
	31217-Z4M-003	-	-	1	-----	HXE8,QKA4,QXE2,QXE4,QXE5,QXE8,QXW,QXWE,RXE2,SWG4,SXE4,SXE5	
9	31220-ZE1-013	MOTOR ONLY	1	1	-	-----	VXE9	
	31220-Z4M-003	-	-	1	-----	HXE8,QXE2,QXE5,QXE8,QXWE,RXE2,SWG4,SXE5,VXE9	

Ref. No.	Part No.	Description	Reqd. QTY				Serial No.	Parts catalogue code
			GX 160 UT1	GX 160 RT1	GX 160 UT2	GX 160 RT2		
10	31221-ZE1-003	PIECE A, STOPPER	1	1	-	-	-----	HXE8,QKA4,QXE2,QXE4,QXE5,QXE8,QXW,QXWE,RXE2,SWG4,SXE4,SXE5 VXE9
	31221-Z4M-003	-	-	1	1	-----	HXE8,QXE2,QXE5,QXE8,QXWE,RXE2,SWG4,SXE5,VXE9
11	31222-ZE1-003	PIECE B, STOPPER	1	1	-	-	-----	HXE8,QKA4,QXE2,QXE4,QXE5,QXE8,QXW,QXWE,RXE2,SWG4,SXE4,SXE5 VXE9
	31222-Z4M-003	-	-	1	1	-----	HXE8,QXE2,QXE5,QXE8,QXWE,RXE2,SWG4,SXE5,VXE9
12	31223-ZE1-003	SPRING, RETURN	1	1	-	-	-----	HXE8,QKA4,QXE2,QXE4,QXE5,QXE8,QXW,QXWE,RXE2,SWG4,SXE4,SXE5 VXE9
	31223-Z4M-003	-	-	1	1	-----	HXE8,QXE2,QXE5,QXE8,QXWE,RXE2,SWG4,SXE5,VXE9
13	31224-ZE1-003	COVER, SPRING	1	1	-	-	-----	HXE8,QKA4,QXE2,QXE4,QXE5,QXE8,QXW,QXWE,RXE2,SWG4,SXE4,SXE5 VXE9
	31224-Z4M-003	-	-	1	1	-----	HXE8,QXE2,QXE5,QXE8,QXWE,RXE2,SWG4,SXE5,VXE9
14	31230-ZE1-003	GEAR ASSY.	1	1	-	-	-----	HXE8,QKA4,QXE2,QXE4,QXE5,QXE8,QXW,QXWE,RXE2,SWG4,SXE4,SXE5 VXE9
15	31235-ZE1-013	BRACKET COMP., FR.	1	1	-	-	-----	HXE8,QKA4,QXE2,QXE4,QXE5,QXE8,QXW,QXWE,RXE2,SWG4,SXE4,SXE5 VXE9
	31235-Z4M-003	-	-	1	1	-----	HXE8,QXE2,QXE5,QXE8,QXWE,RXE2,SWG4,SXE5,VXE9
16	32410-ZE1-010	CORD, MAGNET SWITCH	1	1	-	1	-----	HXE8,QKA4,QXE4,QXE5,QXE8,QXW,QXWE,RXE2,SWG4,SXE4,SXE5
	32410-ZE1-000	1	-	-	-	-----	2025077 QXE2,VXE9
	32410-ZE1-010	1	-	-	-	-----	2025078 QXE2,VXE9
		-	-	1	-	-----	HXE8,QXE2,QXE5,QXE8,QXWE,RXE2,SXE5,VXE9
17	32411-ZE1-000	COVER, MAGNETIC SWITCH	1	1	1	1	-----	HXE8,QKA4,QXE2,QXE4,QXE5,QXE8,QXW,QXWE,RXE2,SWG4,SXE4,SXE5 VXE9
18	32411-253-000	COVER, STARTER MOTOR TERMINAL	1	1	1	1	-----	HXE8,QKA4,QXE2,QXE4,QXE5,QXE8,QXW,QXWE,RXE2,SWG4,SXE4,SXE5 VXE9
19	90010-ZE1-003	SCREW-WASHER, 5X8	1	1	-	-	-----	HXE8,QKA4,QXE2,QXE4,QXE5,QXE8,QXW,QXWE,RXE2,SWG4,SXE4,SXE5 VXE9
	90010-Z4M-003	SCREW, PAN, 5X8	-	-	1	1	-----	HXE8,QXE2,QXE5,QXE8,QXWE,RXE2,SWG4,SXE5,VXE9
20	90012-ZE1-003	BOLT, SETTING	2	2	-	-	-----	HXE8,QKA4,QXE2,QXE4,QXE5,QXE8,QXW,QXWE,RXE2,SWG4,SXE4,SXE5 VXE9
	90012-Z4M-003	-	-	2	2	-----	HXE8,QXE2,QXE5,QXE8,QXWE,RXE2,SWG4,SXE5,VXE9
21	90017-883-000	BOLT, FLANGE, 6X32(CT200) ...	1	1	1	1	-----	HXE8,QKA4,QXE2,QXE4,QXE5,QXE8,QXW,QXWE,RXE2,SWG4,SXE4,SXE5 VXE9
22	90071-MB0-000	NUT-WASHER, 6MM	2	2	-	-	-----	HXE8,QKA4,QXE2,QXE4,QXE5,QXE8,QXW,QXWE,RXE2,SWG4,SXE4,SXE5 VXE9
	90201-Z4M-003	-	-	2	2	-----	HXE8,QXE2,QXE5,QXE8,QXWE,RXE2,SWG4,SXE5,VXE9
23	90115-GB4-700	SCREW-WASHER, 5X30	1	1	-	-	-----	HXE8,QKA4,QXE2,QXE4,QXE5,QXE8,QXW,QXWE,RXE2,SWG4,SXE4,SXE5 VXE9
	31236-Z4M-003	-	-	1	1	-----	HXE8,QXE2,QXE5,QXE8,QXWE,RXE2,SWG4,SXE5,VXE9
24	90121-952-000	BOLT, FLANGE, 6X25(CT200) ...	1	1	1	1	-----	HXE8,QKA4,QXE2,QXE4,QXE5,QXE8,QXW,QXWE,RXE2,SWG4,SXE4,SXE5 VXE9
25	90502-187-701	WASHER, PINION	1	1	-	-	-----	HXE8,QKA4,QXE2,QXE4,QXE5,QXE8,QXW,QXWE,RXE2,SWG4,SXE4,SXE5 VXE9
	31237-Z4M-003	-	-	1	1	-----	HXE8,QXE2,QXE5,QXE8,QXWE,RXE2,SWG4,SXE5,VXE9
26	90603-ZE1-003	CIRCLIP, 10.2MM	1	1	-	-	-----	HXE8,QKA4,QXE2,QXE4,QXE5,QXE8,QXW,QXWE,RXE2,SWG4,SXE4,SXE5 VXE9
	90603-Z4M-003	-	-	1	1	-----	HXE8,QXE2,QXE5,QXE8,QXWE,RXE2,SWG4,SXE5,VXE9
27	90631-ZE1-003	HOLDER, HARNESS	1	1	-	-	-----	HXE8,QKA4,QXE2,QXE4,QXE5,QXE8,QXW,QXWE,RXE2,SWG4,SXE4,SXE5 VXE9
	90631-Z4M-801	-	-	1	1	-----	HXE8,QXE2,QXE5,QXE8,QXWE,RXE2,SWG4,SXE5,VXE9
28	91301-ZE1-003	O-RING	2	2	-	-	-----	HXE8,QKA4,QXE2,QXE4,QXE5,QXE8,QXW,QXWE,RXE2,SWG4,SXE4,SXE5 VXE9
	91301-Z4M-003	-	-	2	2	-----	HXE8,QXE2,QXE5,QXE8,QXWE,RXE2,SWG4,SXE5,VXE9



2

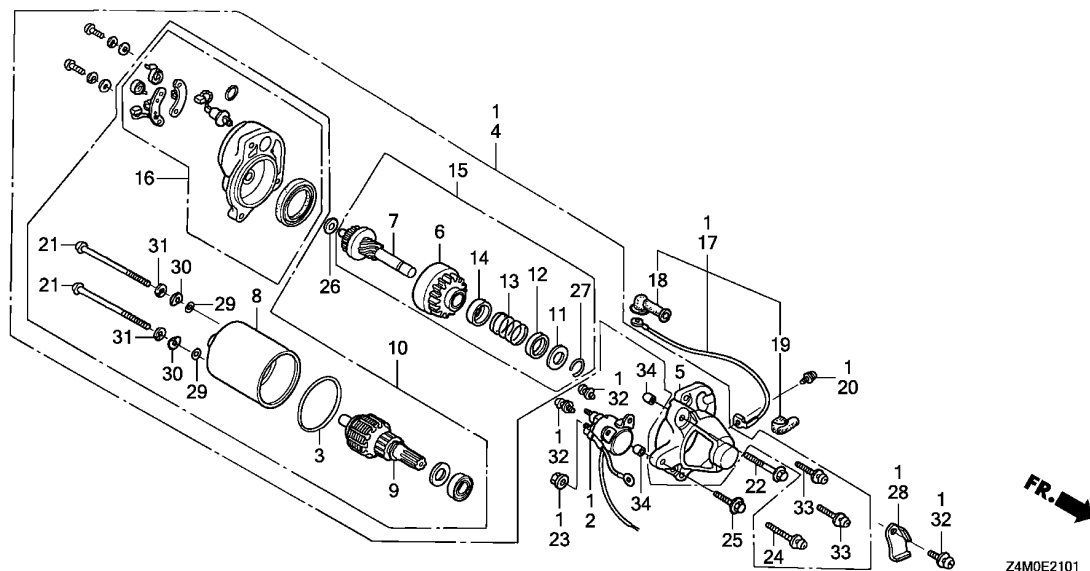
Ref. No.	Part No.	Description	Reqd. QTY				Serial No.	Parts catalogue code
			GX 160 UT1	GX 160 RT1	GX 160 UT2	GX 160 RT2		
29	91402-ZE6-003	WASHER, SPECIAL	2	2	-	-	HXE8,QKA4,QXE2,QXE4,QXE5,QXE8,QXW,QXWE,RXE2,SWG4,SXE4,SXE5 VXE9	
	91402-Z4M-003		-	-	2	2	HXE8,QXE2,QXE5,QXE8,QXWE,RXE2,SWG4,SXE5,VXE9	
30	91403-ZE6-003	WASHER, SPRING	2	2	-	-	HXE8,QKA4,QXE2,QXE4,QXE5,QXE8,QXW,QXWE,RXE2,SWG4,SXE4,SXE5 VXE9	
	91403-Z4M-003		-	-	2	2	HXE8,QXE2,QXE5,QXE8,QXWE,RXE2,SWG4,SXE5,VXE9	
31	93892-05014-08	SCREW-WASHER, 5X14	3	3	3	3	HXE8,QKA4,QXE2,QXE4,QXE5,QXE8,QXW,QXWE,RXE2,SWG4,SXE4,SXE5 VXE9	
32	93892-05020-08	SCREW-WASHER, 5X20	2	2	2	2	HXE8,QKA4,QXE2,QXE4,QXE5,QXE8,QXW,QXWE,RXE2,SWG4,SXE4,SXE5 VXE9	
33	94301-08100	DOWEL PIN, 8X10	2	2	2	2	HXE8,QKA4,QXE2,QXE4,QXE5,QXE8,QXW,QXWE,RXE2,SWG4,SXE4,SXE5 VXE9	
34	31230-Z4M-003	GEAR ASSY.	-	-	1	1	HXE8,QXE2,QXE5,QXE8,QXWE,RXE2,SWG4,SXE5,VXE9	



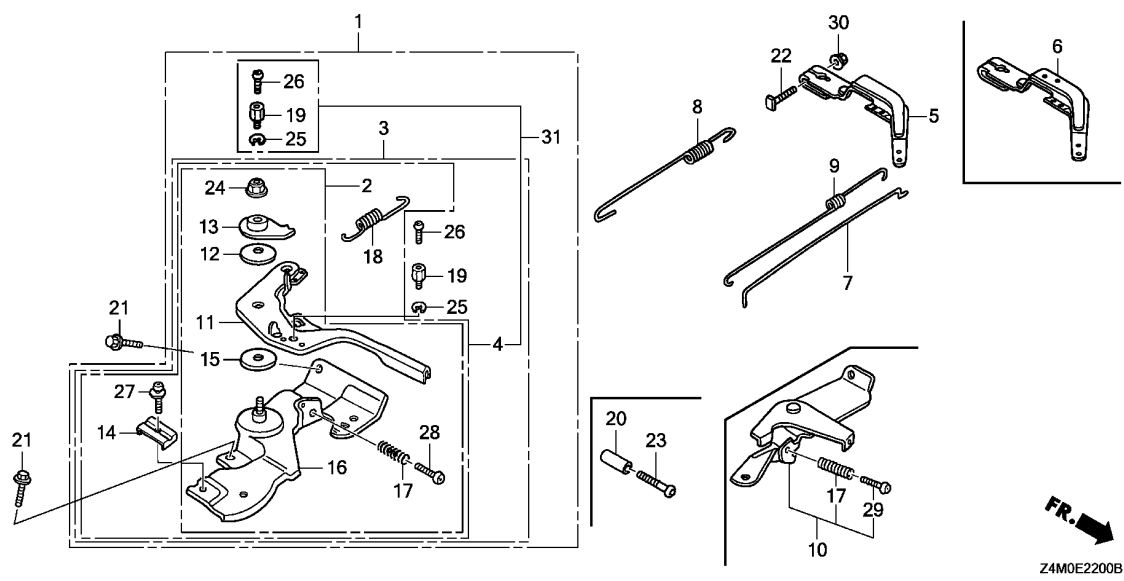
Ref. No.	L.O.N.	(Relative ref. Number) Description	F.R.T.
1	6121D5	MOTOR, STARTER	0.2
2	6121C9	SWITCH, STARTER MAGNETIC	0.2
5	6121B1	COVER, GEAR	0.3
7		(6,11,12,13,14,27)	
	6121E4	SHAFT SET, STARTER GEAR	0.4
8	6121D1	YOKE, STARTER	0.4
9	6121A0	ARMATURE, STARTER	0.4
10	6121B8	MOTOR ONLY	0.3
15	6121B0	CLUTCH, OVERRUNNING	0.4
16	6121D2	BRACKET, STARTER :FRONT	0.4

Ref. No.	Part No.	Description	Reqd. QTY				Serial No.	Parts catalogue code
			GX 160 UT1	GX 160 RT1	GX 160 UT2	GX 160 RT2		
1	31200-ZL0-811	MOTOR ASSY., STARTER	1	-	-	-	QXP2,RXP2	
2	31204-ZE1-013	SWITCH COMP., STARTING MAGNET	1	-	-	-	QXP2,RXP2	
3	31206-KN7-670	O-RING	1	-	-	-	QXP2,RXP2	
4	31210-ZE1-723	MOTOR UNIT, STARTER(SM-11205) (181MM)	1	-	-	-	QXP2,RXP2	
5	31212-ZE1-003	COVER COMP., GEAR	1	-	-	-	QXP2,RXP2	
6	31214-ZE1-003	PINION ASSY.	1	-	-	-	QXP2,RXP2	
7	31215-ZE1-003	SHAFT UNIT, GEAR	1	-	-	-	QXP2,RXP2	
8	31216-ZE1-731	YOKE ASSY.	1	-	-	-	QXP2,RXP2	
9	31217-ZE1-722	ROTOR ASSY.	1	-	-	-	QXP2,RXP2	
10	31220-ZE1-722	MOTOR ONLY	1	-	-	-	QXP2,RXP2	
11	31221-ZE1-003	PIECE A, STOPPER	1	-	-	-	QXP2,RXP2	
12	31222-ZE1-003	PIECE B, STOPPER	1	-	-	-	QXP2,RXP2	
13	31223-ZE1-003	SPRING, RETURN	1	-	-	-	QXP2,RXP2	
14	31224-ZE1-003	COVER, SPRING	1	-	-	-	QXP2,RXP2	
15	31230-ZE1-003	GEAR ASSY.	1	-	-	-	QXP2,RXP2	
16	31235-ZE1-013	BRACKET COMP., FR.	1	-	-	-	QXP2,RXP2	
17	32410-ZE1-010	CORD, MAGNET SWITCH	1	-	-	-	QXP2,RXP2	
18	32411-253-000	COVER, STARTER MOTOR TERMINAL	1	-	-	-	QXP2,RXP2	
19	32411-ZE1-000	COVER, MAGNETIC SWITCH	1	-	-	-	QXP2,RXP2	
20	90010-ZE1-003	SCREW-WASHER, 5X8	1	-	-	-	QXP2,RXP2	
21	90012-ZE1-721	BOLT, SETTING	2	-	-	-	QXP2,RXP2	
22	90017-883-000	BOLT, FLANGE, 6X32(CT200)	1	-	-	-	QXP2,RXP2	
23	90071-MB0-000	NUT-WASHER, 6MM	2	-	-	-	QXP2,RXP2	
24	90115-GB4-700	SCREW-WASHER, 5X30	1	-	-	-	QXP2,RXP2	





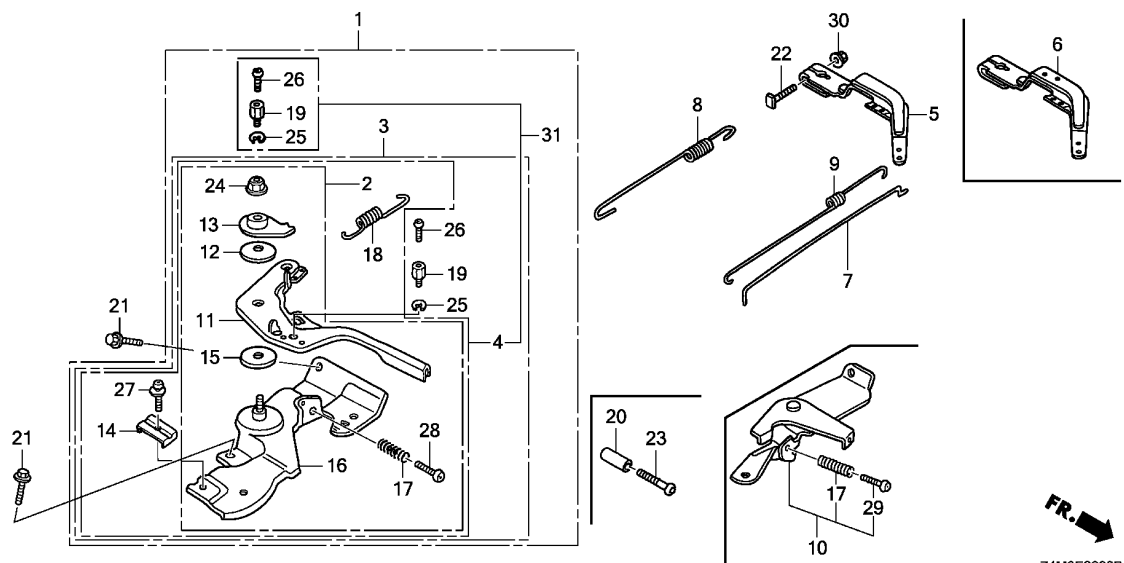
Ref. No.	Part No.	Description	Reqd. QTY				Serial No.	Parts catalogue code
			GX 160 UT1	GX 160 RT1	GX 160 UT2	GX 160 RT2		
25	90121-952-000	BOLT, FLANGE, 6X25(CT200) ...	1	-	-	-	-----	QXP2,RXP2
26	90502-187-701	WASHER, PINION	1	-	-	-	-----	QXP2,RXP2
27	90603-ZE1-003	CIRCLIP, 10.2MM	1	-	-	-	-----	QXP2,RXP2
28	90631-ZE1-003	HOLDER, HARNESS	1	-	-	-	-----	QXP2,RXP2
29	91301-ZE1-003	O-RING	2	-	-	-	-----	QXP2,RXP2
30	91402-ZE6-003	WASHER, SPECIAL	2	-	-	-	-----	QXP2,RXP2
31	91403-ZE6-003	WASHER, SPRING	2	-	-	-	-----	QXP2,RXP2
32	93892-05014-08	SCREW-WASHER, 5X14	3	-	-	-	-----	QXP2,RXP2
33	93892-05020-08	SCREW-WASHER, 5X20	2	-	-	-	-----	QXP2,RXP2
34	94301-08100	DOWEL PIN, 8X10	2	-	-	-	-----	QXP2,RXP2



Ref. No.	L.O.N.	(Relative ref. Number) Description	F.R.T.
1		(2,3,4,10,31)	
1161A5		CONTROL, THROTTLE/GOVERNOR ...	0.2
5		(6)	
1161A0		ARM, GOVERNOR	0.2
7		1161B1 ROD, GOVERNOR	0.3
8		1161C5 SPRING, GOVERNOR	0.2
9		1161C2 SPRING, THROTTLE RETURN	0.3
16		1161A2 BASE, CONTROL	0.3
18		1161B7 SPRING, CABLE RETURN	0.2

Ref. No.	Part No.	Description	Reqd. QTY				Serial No.	Parts catalogue code
			GX 160 UT1	GX 160 RT1	GX 160 UT2	GX 160 RT2		
1	16500-ZH8-U43	CONTROL ASSY. (NORTON)	1	-	-	-	QNT	
	16500-ZK8-912	CONTROL ASSY. (CYCLONE-NORTON)	1	-	-	-	QNT4	
	16500-Z4M-U40	CONTROL ASSY. (NORTON)	-	-	1	-	SHRY	
2	16500-ZH8-030	CONTROL ASSY.	1	-	-	-	PXU, TCS2, TW24, TX2, TX26, TX4, TXDU, TXU, UXU, VA2, VX2, VXW2, WKS, WMBO	
	16500-ZH8-883	CONTROL ASSY. (CYCLONE-STD.)	1	-	-	-	TXC9	
	16500-ZK8-020	CONTROL ASSY.	1	-	-	-	VX4, VXE9	
	16500-Z4M-000	-	-	1	-	PXU, TX2, TX4, TXDU, UXU, VA2, VX2, VXE9, WKS, WMBO	
3	16500-ZH8-813	CONTROL ASSY. (REMOTE/INTERNAL)	1	-	-	-	QBC2, QBM2, QMC8, QMD6, QME4, QMP4, QMZ2, QWA4, SG22, SG24, SMC7, SMC9	
	16500-ZH8-853	CONTROL ASSY. (CYCLONE)	1	-	-	-	VG24, WKT2, WKT4, WKT6	
	16570-ZE1-714	CONTROL ASSY. (REMOTE INTL) ..	1	-	-	-	QXC4, QXC9, VG29	
	16500-ZH8-893	CONTROL ASSY. (REMOTE INTL-S) ..	-	1	-	-	QXW, QXWE	
	16500-Z4M-810	CONTROL ASSY. (REMOTE/INTERNAL) ..	-	-	1	-	SWG4	
4	16500-ZH8-823	CONTROL ASSY. (REMOTE)	1	1	-	-	LHN4, QBC2, QBM2, QMC8, QMD6, QME4, QMP4, QMX2, QWA4, S1CY, SMC7, SMC9	
	16500-Z4M-820	-	-	1	1	SMW2, WKT2	
							HH26, HHQ4, HX2, HX4, HXE8, HXU, LHQ4, LX2, LX26, LX4, LXU, QA2, QA26, QAX2, QAX4, QBT6, QCB2, QCL, QGR9, QH26, QHG4, QHQ4, QHQ4, QKA4, QMC6, QPU, QW24, QWW2, QWX2, QX2, QX26, QX4, QX7, QX9, QXE2, QXE4, QXE5, QXE8, QXF2, QXP2, QXS2, QXU, RH2, RHG4, RHQ4, RTB2, RX4, RXE2, RXP2, RXU, SD16, SHQ4, SHQU, SXS2, SWX2, SX2, SX4, SX7, SX9, SXE4, SXE5, SXS, SXS2, SXS4, SXU	



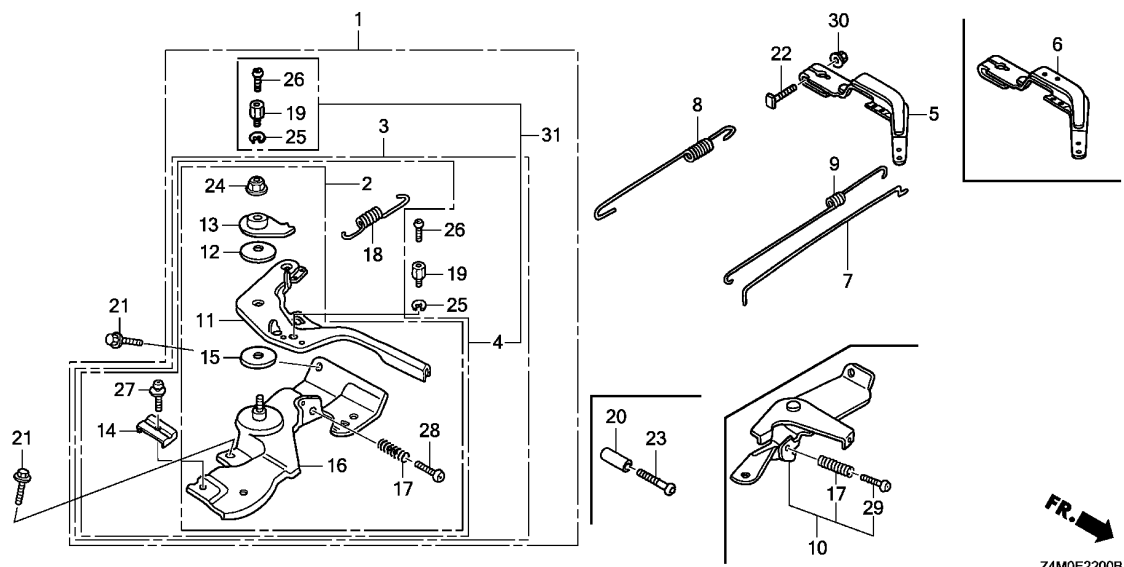


Ref. No.	Part No.	Description	Reqd. QTY				Serial No.	Parts catalogue code
			GX 160 UT1	GX 160 RT1	GX 160 UT2	GX 160 RT2		
5	16551-ZE0-010	ARM, GOVERNOR	1	1	-	-	HH26, HHQ4, HX2, HX4, HXE8, HXU, LHQ4, LX2, LX26, LX4, LXU, PXU, QA2, QA26, QAX2, QAX4, QBC2, QBM2, QBT6, QCB2, QCL, QGR9, QH26, QHG4, QHQ4, QHQU, QKA4, QMC6, QMC8, QMD6, QME4, QMP4, QMZ2, QNT, QNT4, QPU, QW24, QWA4, QWW2, QWX2, QX2, QX26, QX4, QX7, QX9, QXC4, QXC9, QXE2, QXE4, QXE5, QXE8, QXF2, QXP2, QXS2, QXU, QXW, QXWE, RH2, RHG4, RHQ4, RTB2, RX4, RXE2, RXP2, RXU, SD16, SG22, SG24, SHQ4, SHQU, SMC7, SMC9, SSX2, SWG4, SWX2, SX2, SX4, SX7, SX9, SXE4, SXE5, SXS, SXS2, SXS4, SXU, TCS2, TW24, TX2, TX26, TX4, TXC9, TXDU, TXU, UXU, VG24, VG29, WKS, WKT2, WKT4, WKT6, WMBO	
	16551-Z4M-000		-	-	1	1		
6	16551-ZL0-000	ARM, GOVERNOR	1	-	-	-	VA2, VGE2, VGE4, VGE5, VHA9, VHH4, VMS4, VPM4, VPM5, VPM8, VPM9, VPMN, VPR4, VPR9, VS17, VS19, VSD, VSD1, VSD2, VSD7, VSD9, VWA2, VWW2, VWWN, VX2, VX4, VXE9, VXU1, VXW2	
7	16555-ZE1-000	ROD, GOVERNOR	1	1	-	-		
	16555-Z4M-000		-	-	1	1		
8	16561-ZE1-020	SPRING, GOVERNOR	1	1	-	-	HH26, HHQ4, HX2, HX4, HXE8, HXU, LHQ4, LX2, LX26, LX4, LXU, PXU, QA2, QA26, QAX2, QAX4, QBC2, QBM2, QBT6, QCB2, QCL, QGR9, QH26, QHG4, QHQ4, QHQU, QKA4, QMC6, QMC8, QMD6, QME4, QMP4, QMZ2, QNT, QNT4, QPU, QW24, QWA4, QWW2, QWX2, QX2, QX26, QX4, QX7, QX9, QXC4, QXC9, QXE2, QXE4, QXE5, QXE8, QXF2, QXP2, QXS2, QXU, QXW, QXWE, RH2, RHG4, RHQ4, RTB2, RX4, RXE2, RXP2, RXU, SD16, SG22, SG24, SHQ4, SHQU, SMC7, SMC9, SSX2, SWG4, SWX2, SX2, SX4, SX7, SX9, SXE4, SXE5, SXS, SXS2, SXS4, SXU, TCS2, TW24, TX2, TX26, TX4, TXC9, TXDU, TXU, UXU, VG24, VG29, WKS, WKT2, WKT4, WKT6, WMBO	
	16561-ZL0-000		1	-	-	-	VA2, VWA2, VWW2, VWWN, VX2, VXW2	
	16561-ZL0-U30		1	-	-	-	VGE2, VGE4, VGE5, VHA9, VHH4, VMS4, VPM4, VPM5, VPM8, VPM9, VPMN, VPR4, VPR9, VS17, VS19, VSD, VSD1, VSD2, VSD7, VSD9, VX4, VXE9, VXU1	
	16561-Z4M-000		-	-	1	1		
9	16562-ZE1-020	SPRING, THROTTLE RETURN	1	1	-	-		
	16562-Z4M-000		-	-	1	1		

2

Ref. No.	Part No.	Description	Reqd. QTY				Serial No.	Parts catalogue code
			GX 160 UT1	GX 160 RT1	GX 160 UT2	GX 160 RT2		
10	16570-ZB2-000	CONTROL ASSY.	1	-	1	1	VGE2, VGE4, VGE5, VHA9, VHH4, VMS4, VPM4, VPM5, VPM8, VPM9, VPMN, VPR4, VPR9, VS17, VS19, VSD, VSD1, VSD2, VSD7, VSD9, VXU1	
	16570-ZK8-U30	CONTROL ASSY. (WACKER)	1	-	-	-	VWA2	
11	16571-ZH8-020	LEVER, CONTROL	1	1	-	-	HH26, HHQ4, HX2, HX4, HXE8, HXU, LHQ4, LX2, LX26, LX4, LXU, PXU, QA2, QA26, QAX2, QAX4, QBC2, QBM2, QBT6, QCB2, QCL, QGR9, QH26, QHG4, QHQ4, QHQU, QKA4, QMC6, QMC8, QMD6, QME4, QMP4, QMZ2, QNT, QNT4, QPU, QW24, QWA4, QWW2, QWX2, QX2, QX26, QX4, QX7, QX9, QXC4, QXC9, QXE2, QXE4, QXE5, QXE8, QXF2, QXP2, QXS2, QXU, QXW, QXWE, RH2, RHG4, RHQ4, RTB2, RX4, RXE2, RXP2, RXU, SD16, SG22, SG24, SHQ4, SHQU, SMC7, SMC9, SSSX2, SWG4, SWX2, SX2, SX4, SX7, SX9, SXE4, SXE5, SXS, SXS2, SXS4, SXU, TCS2, TW24, TX2, TX26, TX4, TXC9, TXDU, TXU, UXU, VA2, VG24, VG29, VX2, VX4, VXE9, VXW2, WKS, WKT2, WKT4, WKT6, WMBO	
	16571-Z4M-000	-	-	1	1	HH26, HHQ4, HX2, HX4, HXE8, LHN4, LHQ4, LX2, LX4, LXM2, PXU, QA2, QAX2, QAX4, QBC2, QBM2, QGR9, QH26, QHG4, QHQ4, QMC6, QMC8, QMD6, QME4, QMP4, QMX2, QPU, QWA4, QWX2, QX2, QX4, QX9, QXE2, QXE5, QXE8, QXM2, QXS2, QXU, QXWE, RH2, RHG4, RHQ4, RX4, RXE2, RXU, S1CY, SD16, SHQ4, SHRY, SMC7, SMC9, SSMW2, SSSX2, SWG4, SWX2, SX4, SX9, SXE5, SXS4, SXU, TX2, TX4, TXDU, UXU, VA2, VX2, VXE9, WKS, WKT2, WMBO	
12	16574-ZE1-000	SPRING, LEVER	1	1	1	1	HH26, HHQ4, HX2, HX4, HXE8, HXU, LHN4, LHQ4, LX2, LX26, LX4, LXM2, LXU, PXU, QA2, QA26, QAX2, QAX4, QBC2, QBM2, QBT6, QCB2, QCL, QGR9, QH26, QHG4, QHQ4, QHQU, QKA4, QMC6, QMC8, QMD6, QME4, QMP4, QMX2, QMZ2, QNT, QNT4, QPU, QW24, QWA4, QWW2, QWX2, QX2, QX26, QX4, QX7, QX9, QXC4, QXC9, QXE2, QXE4, QXE5, QXE8, QXF2, QXM2, QXP2, QXS2, QXU, QXW, QXWE, RH2, RHG4, RHQ4, RTB2, RX4, RXE2, RXP2, RXU, S1CY, SD16, SG22, SG24, SHQ4, SHQU, SHRY, SMC7, SMC9, SSMW2, SSSX2, SWG4, SWX2, SX2, SX4, SX7, SX9, SXE4, SXE5, SXS, SXS2, SXS4, SXU, TCS2, TW24, TX2, TX26, TX4, TXC9, TXDU, TXU, UXU, VA2, VG24, VG29, VX2, VX4, VXE9, VXW2, WKS, WKT2, WKT4, WKT6, WMBO	
13	16575-ZH8-000	WASHER, CONTROL LEVER	1	1	1	1	HH26, HHQ4, HX2, HX4, HXE8, HXU, LHN4, LHQ4, LX2, LX26, LX4, LXM2, LXU, PXU, QA2, QA26, QAX2, QAX4, QBC2, QBM2, QBT6, QCB2, QCL, QGR9, QH26, QHG4, QHQ4, QHQU, QKA4, QMC6, QMC8, QMD6, QME4, QMP4, QMX2, QMZ2, QNT, QNT4, QPU, QW24, QWA4, QWW2, QWX2, QX2, QX26, QX4, QX7, QX9, QXC4, QXC9, QXE2, QXE4, QXE5, QXE8, QXF2, QXM2, QXP2, QXS2, QXU, QXW, QXWE, RH2, RHG4, RHQ4, RTB2, RX4, RXE2, RXP2, RXU, S1CY, SD16, SG22, SG24, SHQ4, SHQU, SHRY, SMC7, SMC9, SSMW2, SSSX2, SWG4, SWX2, SX2, SX4, SX7, SX9, SXE4, SXE5, SXS, SXS2, SXS4, SXU, TCS2, TW24, TX2, TX26, TX4, TXC9, TXDU, TXU, UXU, VA2, VG24, VG29, VX2, VX4, VXE9, VXW2, WKS, WKT2, WKT4, WKT6, WMBO	
14	16576-891-000	HOLDER, CABLE	1	1	1	1	HH26, HHQ4, HX2, HX4, HXE8, HXU, LHN4, LHQ4, LX2, LX26, LX4, LXM2, LXU, QA2, QA26, QAX2, QAX4, QBC2, QBM2, QBT6, QCB2, QCL, QGR9, QH26, QHG4, QHQ4, QHQU, QKA4, QMC6, QMC8, QMD6, QME4, QMP4, QMX2, QMZ2, QNT, QNT4, QPU, QW24, QWA4, QWW2, QWX2, QX2, QX26, QX4, QX7, QX9, QXC4, QXC9, QXE2, QXE4, QXE5, QXE8, QXF2, QXM2, QXP2, QXS2, QXU, QXW, QXWE, RH2, RHG4, RHQ4, RTB2, RX4, RXE2, RXP2, RXU, S1CY, SD16, SG22, SG24, SHQ4, SHQU, SHRY, SMC7, SMC9, SSMW2, SSSX2, SWG4, SWX2, SX2, SX4, SX7, SX9, SXE4, SXE5, SXS, SXS2, SXS4, SXU, VG24, VG29, WKT2, WKT4, WKT6	
15	16578-ZE1-000	SPACER, CONTROL LEVER	1	1	1	1	HH26, HHQ4, HX2, HX4, HXE8, HXU, LHN4, LHQ4, LX2, LX26, LX4, LXM2, LXU, PXU, QA2, QA26, QAX2, QAX4, QBC2, QBM2, QBT6, QCB2, QCL, QGR9, QH26, QHG4, QHQ4, QHQU, QKA4, QMC6, QMC8, QMD6, QME4, QMP4, QMX2, QMZ2, QNT, QNT4, QPU, QW24, QWA4, QWW2, QWX2, QX2, QX26, QX4, QX7, QX9, QXC4, QXC9, QXE2, QXE4, QXE5, QXE8, QXF2, QXM2, QXP2, QXS2, QXU, QXW, QXWE, RH2, RHG4, RHQ4, RTB2, RX4, RXE2, RXP2, RXU, S1CY, SD16, SG22, SG24, SHQ4, SHQU, SHRY, SMC7, SMC9, SSMW2, SSSX2, SWG4, SWX2, SX2, SX4, SX7, SX9, SXE4, SXE5, SXS, SXS2, SXS4, SXU, TCS2, TW24, TX2, TX26, TX4, TXC9, TXDU, TXU, UXU, VA2, VG24, VG29, VX2, VX4, VXE9, VXW2, WKS, WKT2, WKT4, WKT6, WMBO	

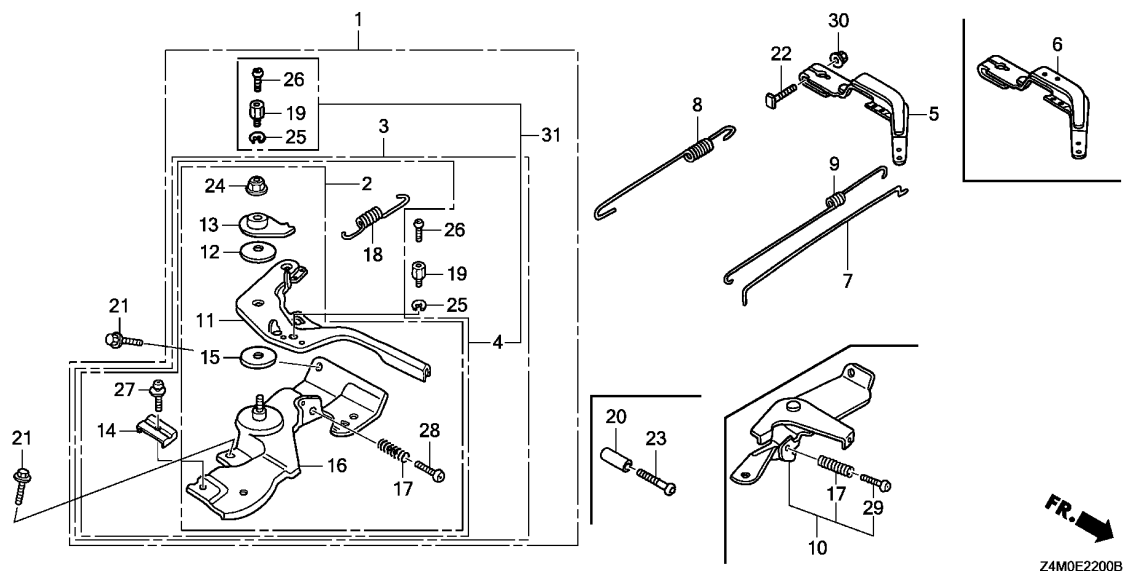




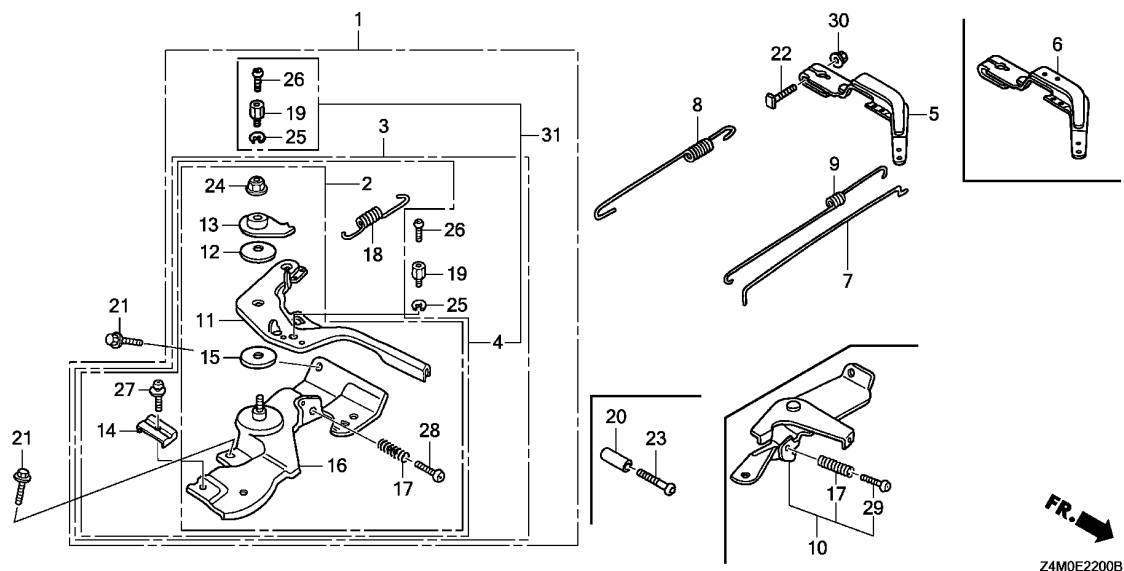
Ref. No.	Part No.	Description	Reqd. QTY				Serial No.	Parts catalogue code
			GX 160 UT1	GX 160 RT1	GX 160 UT2	GX 160 RT2		
16	16580-ZH8-813	BASE COMP., CONTROL (REMOTE) (###)	1	1	-	-	HH26, HHQ4, HX2, HX4, HXE8, HXU, LHQ4, LX2, LX26, LX4, LXU, QA2, QA26, QAX2, QAX4, QBC2, QBM2, QBT6, QCB2, QCL, QGR9, QH26, QHG4, QHQ4, QHQ4, QHQ4, QKA4, QMC6, QMC8, QMD6, QME4, QMP4, QMZ2, QNT, QPU, QW24, QWA4, QWW2, QWX2, QX2, QX26, QX4, QX7, QX9, QXE2, QXE4, QXE5, QXE8, QXF2, QXP2, QXS2, QXU, QXW, QXWE, RH2, RHG4, RHQ4, RTB2, RX4, RXE2, RXP2, RXU, SD16, SG22, SG24, SHQ4, SHQU, SMC7, SMC9, SSS2, SWG4, SWX2, SX2, SX4, SX7, SX9, SXE4, SXE5, SXS, SXS2, SXS4, SXU, VG24, WKT2, WKT4, WKT6	
	16580-ZH8-030	BASE COMP., CONTROL (###)	1	-	-	-	PXU, TCS2, TW24, TX2, TX26, TX4, TXDU, TXU, UXU, VA2, VX2, VX4, VXE9, VWX2, WKS, WMBO	
	16580-ZH8-853	BASE COMP., CONTROL (CYCLONE) (###)	1	-	-	-	QNT4, QXC4, QXC9, TXC9, VG29	
	16580-Z4M-810	BASE COMP., CONTROL	-	-	1	1	HH26, HHQ4, HX2, HX4, HXE8, LHN4, LHQ4, LX2, LX4, LXM2, QA2, QAX2, QAX4, QBC2, QBM2, QGR9, QH26, QHG4, QHQ4, QMC6, QMC8, QMD6, QME4, QMP4, QMX2, QPU, QWA4, QWX2, QX2, QX4, QX9, QXE2, QXE5, QXE8, QXM2, QXS2, QXU, QXWE, RH2, RHG4, RHQ4, RX4, RXE2, RXU, S1CY, SD16, SHQ4, SHRY, SMC7, SMC9, SMW2, SSS2, SWG4, SWX2, SX2, SX4, SX7, SX9, SXE4, SXE5, SXS4, SXU, WKT2	
	16580-Z4M-000	-	-	1	-	PXU, TX2, TX4, TXDU, UXU, VA2, VX2, VXE9, WKS, WMBO	
17	16584-883-300	SPRING, CONTROL ADJUSTING ...	1	1	1	1	HH26, HHQ4, HX2, HX4, HXE8, HXU, LHN4, LHQ4, LX2, LX26, LX4, LXM2, LXU, PXU, QA2, QA26, QAX2, QAX4, QBC2, QBM2, QBT6, QCB2, QCL, QGR9, QH26, QHG4, QHQ4, QHQ4, QKA4, QMC6, QMC8, QMD6, QME4, QMP4, QMX2, QMZ2, QNT, QNT4, QPU, QW24, QWA4, QWW2, QWX2, QX2, QX26, QX4, QX7, QX9, QXC4, QXC9, QXE2, QXE4, QXE5, QXE8, QXF2, QXM2, QXP2, QXS2, QXU, QXW, QXWE, RH2, RHG4, RHQ4, RTB2, RX4, RXE2, RXP2, RXU, S1CY, SD16, SG22, SG24, SHQ4, SHQU, SHRY, SMC7, SMC9, SMW2, SSS2, SWG4, SWX2, SX2, SX4, SX7, SX9, SXE4, SXE5, SXS, SXS2, SXS4, SXU, TCS2, TW24, TX2, TX26, TX4, TXC9, TXDU, TXU, UXU, VA2, VG24, VG29, VGE2, VGE4, VGE5, VHA9, VHH4, VMS4, VPM4, VPM5, VPM8, VPM9, VPMN, VPR4, VPR9, VS17, VS19, VSD, VSD1, VSD2, VSD7, VSD9, VWA2, VX2, VX4, VXE9, VXU1, VWX2, WKS, WKT2, WKT4, WKT6, WMBO	

Ref. No.	Part No.	Description	Reqd. QTY				Serial No.	Parts catalogue code
			GX 160 UT1	GX 160 RT1	GX 160 UT2	GX 160 RT2		
18	16592-ZE1-810	SPRING, CABLE RETURN	1	1	1	1	-----	HH26, HHQ4, HX2, HX4, HXE8, HXU, LHN4, LHQ4, LX2, LX26, LX4, LXM2, LXU, QA2, QA26, QAX2, QAX4, QBC2, QBM2, QBT6, QCB2, QCL, QGR9, QH26, QHG4, QHQ4, QHQ4, QKA4, QMC6, QMC8, QMD6, QME4, QMP4, QMX2, QM2, QNT, QNT4, QPU, QW24, QWA4, QWW2, QWX2, QX2, QX26, QX4, QX7, QX9, QXC4, QXC9, QXE2, QXE4, QXE5, QXE8, QXF2, QXM2, QXP2, QXS2, QXU, QXW, QXWE, RH2, RHG4, RHQ4, RTB2, RX4, RXE2, RXP2, RXU, S1CY, SD16, SG22, SG24, SHQ4, SHQU, SHRY, SMC7, SMC9, SMW2, SSSX2, SWG4, SWX2, SX2, SX4, SX7, SX9, SXE4, SXE5, SXS, SXS2, SXS4, SXU, VG24, VG29, WKT2, WKT4, WKT6
19	16594-883-010	HOLDER, WIRE	1	-	-	-	-----	QBC2, QBM2, QMC8, QMD6, QME4, QMP4, QM2, QWA4, QXC4, QXC9, QXW, QXWE, SG22, SG24, SMC7, SMC9, VG24, VG29, WKT2, WKT4, WKT6
			2	-	-	-	-----	QNT, QNT4
			-	1	1	-	-----	LHN4, QBC2, QBM2, QMC8, QMD6, QME4, QMP4, QMX2, QWA4, QXWE, S1CY, SMC7, SMC9, SMW2, SWG4, WKT2
			-	-	2	-	-----	SHRY
			-	-	1	-	-----	SWG4
20	16599-ZG1-M10	COLLAR, STOPPER	(1)	(1)	(1)	(1)	-----	HHQ4, HX4, LHN4, LHQ4, LX4, QHG4, QHQ4, QHQ4, QKA4, QMC6, QMC8, QMD6, QME4, QMP4, QNT, QNT4, QW24, QWA4, QWW2, QX4, QX7, QX9, QXE4, QXE5, QXW, QXWE, RHG4, RHQ4, RX4, S1CY, SG22, SG24, SHQ4, SHQU, SMC7, SMC9, SWG4, SWX2, SX2, SX4, SX7, SX9, SXE4, SXE5, SXS, SXS2, SXS4, TW24, TX4, VG24, VG29, VGE2, VGE4, VGE5, VHA9, VHH4, VMS4, VPM4, VPM5, VPM8, VPM9, VPMN, VPR4, VPR9, VS17, VS19, VSD, VSD1, VSD2, VSD7, VSD9, VX4, VXE9, WKT4, WMBO
21	90013-883-000	BOLT, FLANGE, 6X12(CT200) ...	2	2	-	2	-----	HH26, HHQ4, HX2, HX4, HXE8, HXU, LHQ4, LX2, LX26, LX4, LXU, PXU, QA2, QA26, QAX2, QAX4, QBC2, QBM2, QBT6, QCB2, QCL, QGR9, QH26, QHG4, QHQ4, QHQ4, QKA4, QMC6, QMC8, QMD6, QME4, QMP4, QM2, QNT, QNT4, QPU, QW24, QWA4, QWW2, QWX2, QX2, QX26, QX4, QX7, QX9, QXC4, QXC9, QXE2, QXE4, QXE5, QXE8, QXF2, QXP2, QXS2, QXU, QXW, QXWE, RH2, RHG4, RHQ4, RTB2, RX4, RXE2, RXP2, RXU, SD16, SG22, SG24, SHQ4, SHQU, SMC7, SMC9, SSSX2, SWG4, SWX2, SX2, SX4, SX7, SX9, SXE4, SXE5, SXS, SXS2, SXS4, SXU, TCS2, TW24, TX2, TX26, TX4, TXC9, TXDU, TXU, UXU, VA2, VG24, VG29, VGE2, VGE4, VGE5, VHA9, VHH4, VMS4, VPM4, VPM5, VPM8, VPM9, VPMN, VPR4, VPR9, VS17, VS19, VSD, VSD1, VSD2, VSD7, VSD9, VWA2, VX2, VX4, VXE9, VXU1, VXW2, WKS, WKT2, WKT4, WKT6, WMBO
			-	-	2	-	-----	HH26, HHQ4, HX2, HX4, HXE8, LHN4, LHQ4, LX2, LX4, LXM2, PXU, QA2, QAX2, QAX4, QGR9, QH26, QHG4, QMC6, QMC8, QMD6, QME4, QMP4, QMX2, QPU, QWA4, QWX2, QX2, QX4, QX9, QXE2, QXE5, QXE8, QXM2, QXS2, QXU, QXWE, RH2, RHQ4, RX4, RXE2, RXU, S1CY, SD16, SHQ4, SHRY, SMC7, SMC9, SMW2, SSSX2, SWX2, SX4, SX9, SXE5, SXS4, SXU, TX2, TX4, TXDU, UXU, VA2, VSD9, VX2, VXE9, VXU1, WKS, WKT2, WMBO
22	90015-ZE5-010	BOLT, GOVERNOR ARM	1	1	1	1	-----	HHQ4, HX4, LHN4, LHQ4, LX4, QHG4, QHQ4, QHQ4, QKA4, QMC6, QMC8, QMD6, QME4, QMP4, QNT, QNT4, QW24, QWA4, QWW2, QX4, QX7, QX9, QXE4, QXE5, QXW, QXWE, RHG4, RHQ4, RX4, S1CY, SG22, SG24, SHQ4, SHQU, SMC7, SMC9, SWG4, SWX2, SX2, SX4, SX7, SX9, SXE4, SXE5, SXS, SXS2, SXS4, TW24, TX4, VG24, VG29, VGE2, VGE4, VGE5, VHA9, VHH4, VMS4, VPM4, VPM5, VPM8, VPM9, VPMN, VPR4, VPR9, VS17, VS19, VSD, VSD1, VSD2, VSD7, VSD9, VX4, VXE9, WKT4, WMBO
23	90016-ZG9-N30	SCREW, RECESSED, 5X25	(1)	(1)	(1)	(1)	-----	HHQ4, HX4, LHN4, LHQ4, LX4, QHG4, QHQ4, QHQ4, QKA4, QMC6, QMC8, QMD6, QME4, QMP4, QNT, QNT4, QW24, QWA4, QWW2, QX4, QX7, QX9, QXE4, QXE5, QXW, QXWE, RHG4, RHQ4, RX4, S1CY, SG22, SG24, SHQ4, SHQU, SMC7, SMC9, SWG4, SWX2, SX2, SX4, SX7, SX9, SXE4, SXE5, SXS, SXS2, SXS4, TW24, TX4, VG24, VG29, VGE2, VGE4, VGE5, VHA9, VHH4, VMS4, VPM4, VPM5, VPM8, VPM9, VPMN, VPR4, VPR9, VS17, VS19, VSD, VSD1, VSD2, VSD7, VSD9, VX4, VXE9, WKT4, WMBO
24	90114-SAO-000	NUT, SELF-LOCK, 6MM	1	1	1	1	-----	HH26, HHQ4, HX2, HX4, HXE8, HXU, LHN4, LHQ4, LX2, LX26, LX4, LXM2, LXU, PXU, QA2, QA26, QAX2, QAX4, QBC2, QBM2, QBT6, QCB2, QCL, QGR9, QH26, QHG4, QHQ4, QHQ4, QKA4, QMC6, QMC8, QMD6, QME4, QMP4, QMX2, QM2, QNT, QNT4, QPU, QW24, QWA4, QWW2, QWX2, QX2, QX26, QX4, QX7, QX9, QXC4, QXC9, QXE2, QXE4, QXE5, QXE8, QXF2, QXM2, QXP2, QXS2, QXU, QXW, QXWE, RH2, RHG4, RHQ4, RTB2, RX4, RXE2, RXP2, RXU, S1CY, SD16, SG22, SG24, SHQ4, SHQU, SHRY, SMC7, SMC9, SMW2, SSSX2, SWG4, SWX2, SX2, SX4, SX7, SX9, SXE4, SXE5, SXS, SXS2, SXS4, SXU, TCS2, TW24, TX2, TX26, TX4, TXC9, TXDU, TXU, UXU, VA2, VG24, VG29, VX2, VX4, VXE9, VXW2, WKS, WKT2, WKT4, WKT6, WMBO



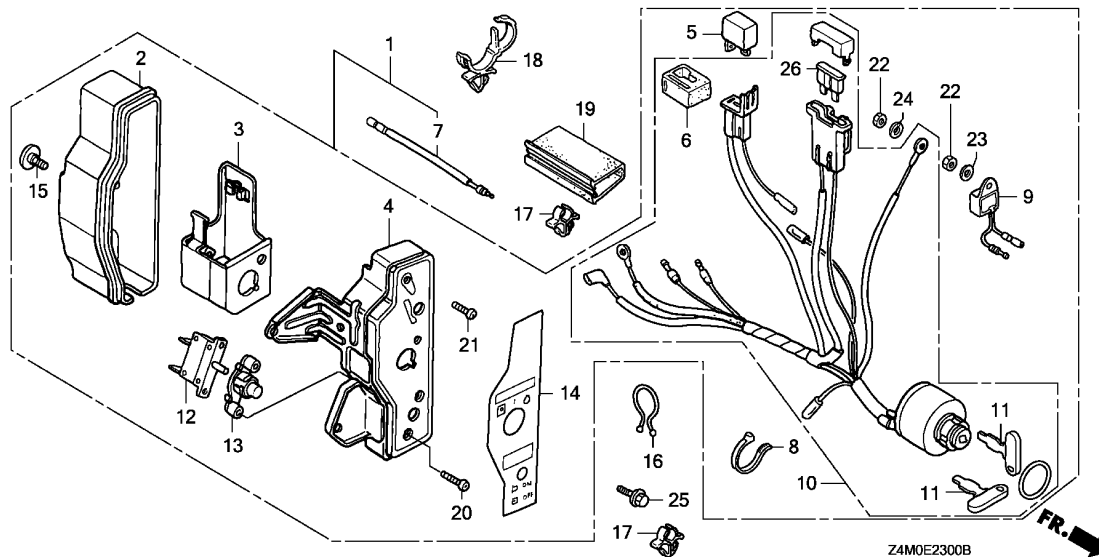


Ref. No.	Part No.	Description	Reqd. QTY				Serial No.	Parts catalogue code
			GX 160 UT1	GX 160 RT1	GX 160 UT2	GX 160 RT2		
25	90605-230-000	CIRCLIP, 5MM	1	-	-	-	QB2, QBM2, QMC8, QMD6, QME4, QMP4, QMZ2, QWA4, QXC4, QXC9, QXW, QXWE, SG22, SG24, SMC7, SMC9, VG24, VG29, WKT2, WKT4, WKT6	
			2	-	-	-	QNT, QNT4	
			-	1	1	-	LHN4, QBC2, QBM2, QMC8, QMD6, QME4, QMP4, QMX2, QWA4, QXWE, S1CY, SMC7, SMC9, SMW2, SWG4, WKT2	
			-	-	2	-	SHRY	
			-	-	-	1	SWG4	
26	93500-04006-0H	SCREW, PAN, 4X6	1	-	-	-	QB2, QBM2, QMC8, QMD6, QME4, QMP4, QMZ2, QWA4, QXC4, QXC9, QXW, QXWE, SG22, SG24, SMC7, SMC9, VG24, VG29, WKT2, WKT4, WKT6	
			2	-	-	-	QNT, QNT4	
			-	1	1	-	LHN4, QBC2, QBM2, QMC8, QMD6, QME4, QMP4, QMX2, QWA4, QXWE, S1CY, SMC7, SMC9, SMW2, SWG4, WKT2	
			-	-	2	-	SHRY	
			-	-	-	1	SWG4	
27	93500-05016-0A	SCREW, PAN, 5X16	1	1	1	1	HH26, HHQ4, HX2, HX4, HXE8, HXU, LHN4, LHQ4, LX2, LX26, LX4, LXM2, LXU, QA2, QA26, QAX2, QAX4, QBC2, QBM2, QBT6, QCB2, QCL, QGR9, QH26, QHG4, QHQ4, QHQ4, QKA4, QMC6, QMC8, QMD6, QME4, QMP4, QMX2, QMZ2, QNT, QNT4, QPU, QW24, QWA4, QWW2, QWX2, QX2, QX26, QX4, QX7, QX9, QXC4, QXC9, QXE2, QXE4, QXE5, QXE8, QXF2, QXM2, QXP2, QXS2, QXU, QXW, QXWE, RH2, RHG4, RHQ4, RTB2, RX4, RXE2, RXP2, RXU, S1CY, SD16, SG22, SG24, SHQ4, SHQU, SHRY, SMC7, SMC9, SMW2, SSS2, SWG4, SWX2, SX2, SX4, SX7, SX9, SXE4, SXE5, SXS, SXS2, SXS4, SXU, VG24, VG29, WKT2, WKT4, WKT6	



Ref. No.	Part No.	Description	Reqd. QTY				Serial No.	Parts catalogue code
			GX 160 UT1	GX 160 RT1	GX 160 UT2	GX 160 RT2		
28	93500-05025-0H	SCREW, PAN, 5X25	1	1	-	1	HH26, HHQ4, HX2, HX4, HXE8, HXU, LHQ4, LX2, LX26, LX4, LXU, QA2, QA26, QAX2, QAX4, QBC2, QBM2, QBT6, QCB2, QCL, QGR9, QH26, QHG4, QHQ4, QHQU, QKA4, QMC6, QMC8, QMD6, QME4, QMP4, QMZ2, QNT, QNT4, QPU, QW24, QWA4, QWW2, QWX2, QX2, QX26, QX4, QX7, QX9, QXC4, QXC9, QXE2, QXE4, QXE5, QXE8, QXF2, QXP2, QXS2, QXU, RH2, RHG4, RHQ4, RTB2, RX4, RXE2, RXP2, RXU, SD16, SG22, SG24, SHQ4, SHQU, SMC7, SMC9, SSS2, SWG4, SWX2, SX2, SX4, SX7, SX9, SXE4, SXE5, SXS, SXS2, SXS4, SXU, VG24, VG29, WKT2, WKT4, WKT6	
	93500-05025-0A		1	-	-	-	PXU, TCS2, TW24, TX2, TX26, TX4, TXC9, TXDU, TXU, UXU, VA2, VX2, VXW2, WKS, WMB0	
	93500-05020-0H	SCREW, PAN, 5X20	1	-	-	-	QXW, QXWE	
	93500-05032-0H	SCREW, PAN, 5X32	1	-	-	-	VX4, VXE9	
	93500-05025-0H	SCREW, PAN, 5X25	-	-	1	-	HH26, HHQ4, HX2, HX4, HXE8, LHN4, LHQ4, LX2, LX4, LXM2, PXU, QA2, QAX2, QAX4, QBC2, QBM2, QGR9, QH26, QHQ4, QMC6, QMC8, QMD6, QME4, QMP4, QMX2, QPU, QWA4, QWX2, QX2, QX4, QX9, QXE2, QXE5, QXE8, QXM2, QXS2, QXU, QXWE, RH2, RHQ4, RX4, RXE2, RXU, S1CY, SD16, SHQ4, SHRY, SMC7, SMC9, SMW2, SSS2, SWX2, SX4, SX9, SXE5, SXS4, SXU, TX2, TX4, TXDU, UXU, VA2, VX2, VXE9, WKS, WKT2, WMB0	
29	93500-05035-0A	SCREW, PAN, 5X35	1	-	1	1	VGE2, VGE4, VGE5, VHA9, VHH4, VMS4, VPM4, VPM5, VPM8, VPM9, VPMN, VPR4, VPR9, VS17, VS19, VSD, VSD1, VSD2, VSD7, VSD9, VXU1	
	93500-05040-0G	SCREW, PAN, 5X40	1	-	-	-	VWA2	
30	94050-06000	NUT, FLANGE, 6MM	1	1	1	1		
31	16500-Z4M-890	CONTROL ASSY. (REMOTE INTL-S)	-	-	1	1	QXWE, SWG4	



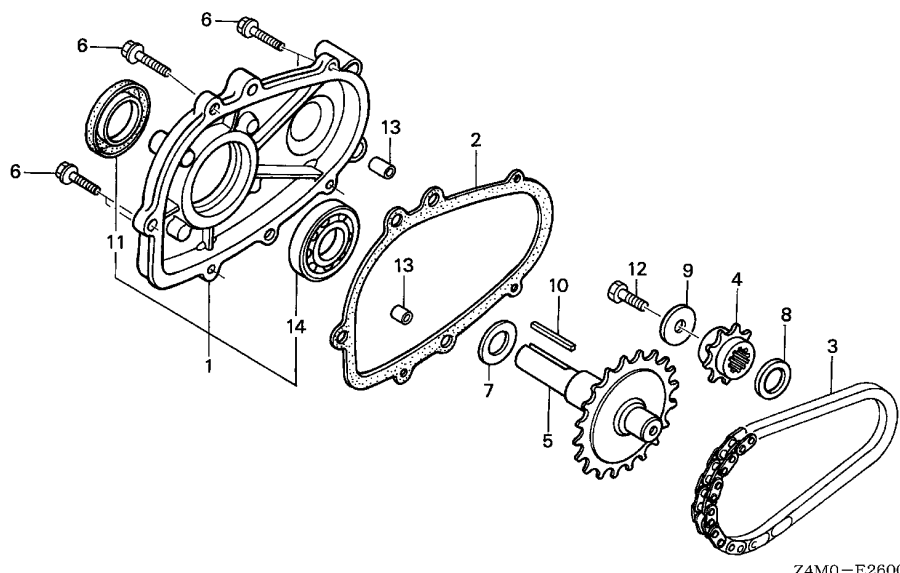


Ref. No.	L.O.N.	(Relative ref. Number) Description	F.R.T.
1	6221N7	BOX, ENGINE CONTROL	0.1
4	6221P7	PANEL, ENGINE CONTROL	0.2
5	6131B8	RECTIFIER, SILICON	0.1
9	6151K4	ALERT UNIT, ENGINE CONTROL OIL	0.2
10	6151E1	SWITCH, COMBINATION	0.2
12	6221D4	PROTECTOR, CIRCUIT	0.2
26	8121A7	FUSE, BLADE	0.1

2

Ref. No.	Part No.	Description	Reqd. QTY				Serial No.	Parts catalogue code
			GX 160	GX 160	GX 160	GX 160		
1	31610-Z4S-821ZA	BOX ASSY., CONTROL (EXP-ALERT/10A)						
		R280.....POWER RED	1	-	1	-	-----	QXE5,QXW,QXWE,SXE5
	31610-Z4T-842ZB	BOX ASSY., CONTROL(EXP-ALERT)						
		R280.....POWER RED	1	-	-	-	-----	HXE8,QKA4,QXE4,QXE8,QXP2,RXE2,RXP2,SXE4
	31610-Z4T-841ZA	*NH1*.....BLACK	1	-	-	-	1929542	QXE2
	31610-Z4T-841ZB	*R280*.....POWER RED	1	-	-	-	1929542	QXE2,VXE9
	31610-Z4T-842ZA	*NH1*.....BLACK	1	-	-	-	1929543	QXE2
	31610-Z4T-842ZB	*R280*.....POWER RED	1	-	-	-	1929543	QXE2,VXE9
	31610-Z4T-842ZA	*NH1*.....BLACK	-	-	1	-	-----	HXE8,QXE2,QXE8,RXE2,VXE9
2	31612-ZE2-003	CASE, CONTROL	1	-	1	-	-----	HXE8,QKA4,QXE2,QXE4,QXE5,QXE8,QXP2,QXW,QXWE,RXE2,RXP2,SXE4
								SXE5,VXE9
3	31614-ZE2-003	BRACKET, CASE MOUNTING	1	-	1	-	-----	HXE8,QKA4,QXE2,QXE4,QXE5,QXE8,QXP2,QXW,QXWE,RXE2,RXP2,SXE4
								SXE5,VXE9
4	31615-ZE1-003ZG	PANEL COMP., CONTROL						
		R280.....POWER RED	1	-	1	-	-----	HXE8,QKA4,QXE2,QXE4,QXE5,QXE8,QXP2,QXW,QXWE,RXE2,RXP2,SXE4
	31615-ZE1-003ZA	*NH1*.....BLACK	1	-	1	-	-----	SXE5,VXE9
								QXE2
5	31700-124-008	RECTIFIER ASSY., SILICON (SHINDENGEN)	1	-	1	-	-----	HXE8,QKA4,QXE2,QXE4,QXE8,QXP2,RXE2,RXP2,SXE4,VXE9
6	32127-738-700	SUSPENSION, COUPLER	1	-	1	-	-----	HXE8,QKA4,QXE2,QXE4,QXE8,QXP2,RXE2,RXP2,SXE4,VXE9
7	32197-ZE1-003	HARNESS, SUB WIRE	1	-	1	-	-----	HXE8,QKA4,QXE2,QXE4,QXE5,QXE8,QXP2,QXW,QXWE,RXE2,RXP2,SXE4
								SXE5,VXE9
8	32902-892-003	BAND	1	-	1	-	-----	HXE8,QKA4,QXE2,QXE4,QXE5,QXE8,QXP2,QXW,QXWE,RXE2,RXP2,SXE4
								SXE5,VXE9
9	34150-ZH7-013	ALERT UNIT, OIL	1	-	-	-	-----	HXE8,QKA4,QXE4,QXE5,QXE8,QXP2,QXW,QXWE,RXE2,RXP2,SXE4,SXE5
	34150-ZH7-003		1	-	-	-	1923062	QXE2,VXE9

Ref. No.	Part No.	Description	Reqd. QTY				Serial No.	Parts catalogue code
			GX 160 UT1	GX 160 RT1	GX 160 UT2	GX 160 RT2		
(9)	34150-ZH7-013	ALERT UNIT, OIL	1	-	-	-	1923063 ----- QXE2,VXE9	
10	35100-ZE1-812	SWITCH ASSY., COMBINATION ---	-	-	1	-	----- HXE8,QXE2,QXE5,QXE8,QXWE,RXE2,SXE5,VXE9	
	35100-ZH8-R90	SWITCH ASSY., COMBINATION (10A CHG/RCM)	1	-	1	-	----- HXE8,QKA4,QXE2,QXE4,QXE8,QXP2,RXE2,RXP2,SXE4,VXE9	
11	35111-880-013	KEY COMP.	2	-	2	-	----- QXE5,QXW,QXWE,SXE5	
12	38240-VA3-900	PROTECTOR, CIRCUIT(1.0A)	1	-	1	-	----- HXE8,QKA4,QXE2,QXE4,QXE5,QXE8,QXP2,QXW,QXWE,RXE2,RXP2,SXE4	
13	38250-ZA8-701	LENS ASSY., PROTECTOR	1	-	1	-	----- SXE5,VXE9	
14	87529-Z4T-840	MARK, CONTROL BOX(EXTERNAL) -	1	-	1	-	----- HXE8,QKA4,QXE2,QXE4,QXE8,QXP2,RXE2,RXP2,SXE4,VXE9	
	87529-Z4S-820	MARK, CONTROL BOX(EXP)	1	-	1	-	----- HXE8,QKA4,QXE2,QXE4,QXE8,QXP2,RXE2,RXP2,SXE4,VXE9	
15	90380-MA6-010	SCREW, SPECIAL, 6X12	1	-	1	-	----- QXE5,QXW,QXWE,SXE5	
16	90630-751-000	CLIP, PURSE LOCK	1	-	1	-	----- HXE8,QKA4,QXE2,QXE4,QXE5,QXE8,QXP2,QXW,QXWE,RXE2,RXP2,SXE4	
17	90682-ZE1-000	CLIP, CORD	2	-	2	-	----- SXE5,VXE9	
18	90690-SAO-003	STRAP, WIRE HARNESS, 25MM (BLACK)	1	-	1	-	----- HXE8,QKA4,QXE2,QXE4,QXE5,QXE8,QXP2,QXW,QXWE,RXE2,RXP2,SXE4	
19	91406-ZE2-003	TUBE, FASTENER, 30MM	1	-	1	-	----- SXE5,VXE9	
20	93500-03012-0H	SCREW, PAN, 3X12	2	-	2	-	----- HXE8,QKA4,QXE2,QXE4,QXE5,QXE8,QXP2,QXW,QXWE,RXE2,RXP2,SXE4	
21	93500-04012-0H	SCREW, PAN, 4X12	1	-	1	-	----- HXE8,QKA4,QXE2,QXE4,QXE5,QXE8,QXP2,QXW,QXWE,RXE2,RXP2,SXE4	
22	94001-04390-0S	NUT, HEX., 4MM	2	-	2	-	----- SXE5,VXE9	
23	94101-04800	WASHER, PLAIN, 4MM	1	-	1	-	----- HXE8,QKA4,QXE2,QXE4,QXE5,QXE8,QXP2,QXW,QXWE,RXE2,RXP2,SXE4	
24	94111-04800	WASHER, SPRING, 4MM	1	-	1	-	----- SXE5,VXE9	
25	95701-06010-00	BOLT, FLANGE, 6X10	1	-	1	-	----- HXE8,QKA4,QXE2,QXE4,QXE5,QXE8,QXP2,QXW,QXWE,RXE2,RXP2,SXE4	
26	98200-30500	FUSE, BLADE(5A)	1	-	1	-	----- HXE8,QKA4,QXE2,QXE4,QXE8,QXP2,RXE2,RXP2,SXE4,VXE9	
	98200-31500	FUSE, BLADE(15A)	1	-	1	-	----- QXE5,QXW,QXWE,SXE5	

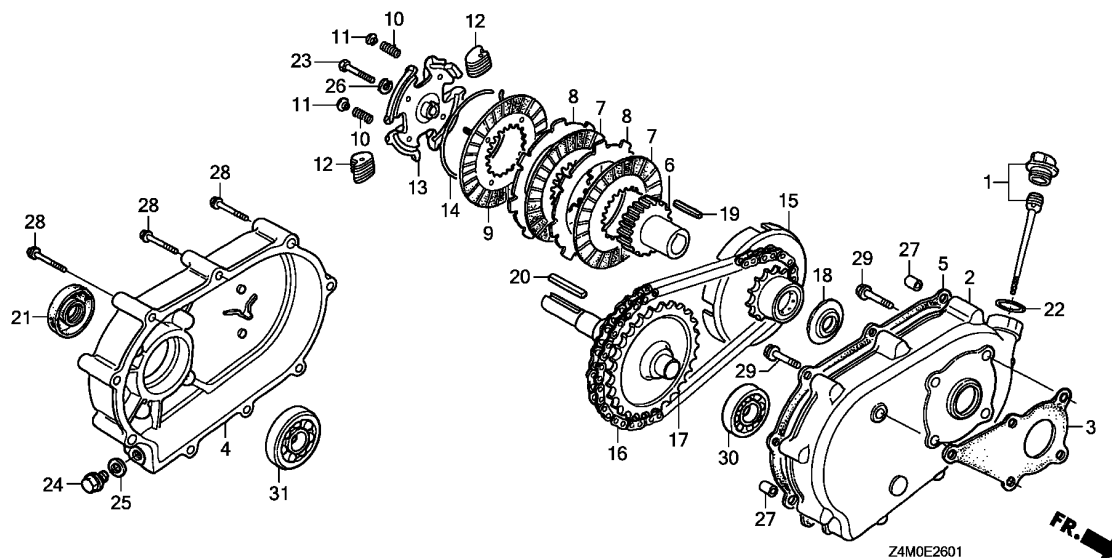


Ref. No.	L.O.N.	(Relative ref. Number) Description	F.R.T.
1		(2)	
	2141W9	COVER, CHAIN CASE AND/OR PACKING, CHAIN CASE COVER (L-TYPE)	0.2
3	2141W2	CHAIN, POWER TAKE OFF DRIVE (L-TYPE)	0.3
4	2141X0	SPROCKET, POWER TAKE OFF DRIVE CHAIN(L-TYPE)	0.3
5	2141V7	SHAFT, POWER TAKE OFF(L-TYPE)	0.3
11	2141X3	OIL SEAL, POWER TAKE OFF SHAFT (L-TYPE) :REAR	0.2
14	2141X8	BEARING, POWER TAKE OFF SHAFT (L-TYPE) :REAR	0.3

Z4M0-E2600



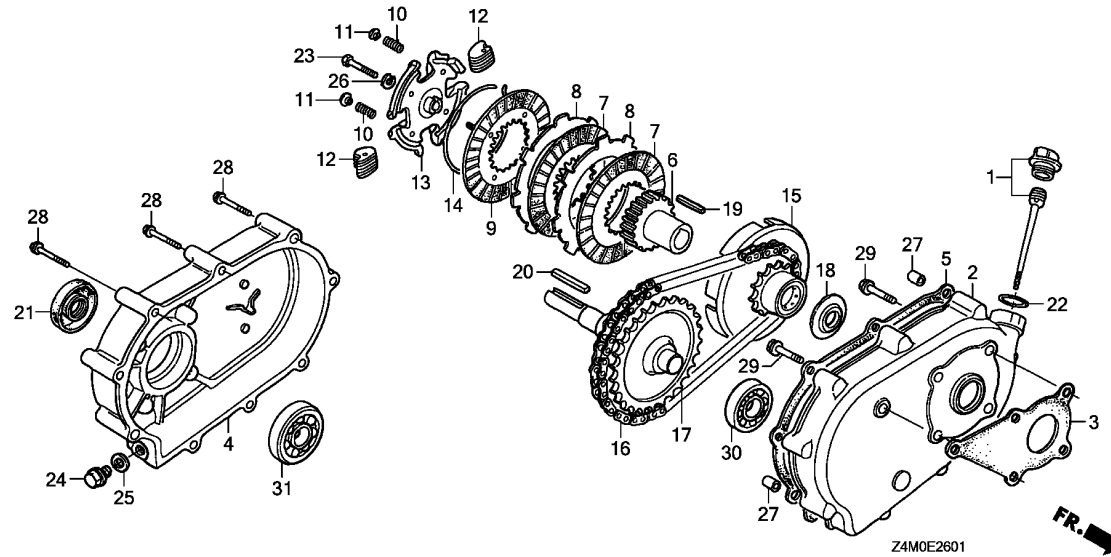
Ref. No.	Part No.	Description	Reqd. QTY				Serial No.	Parts catalogue code
			GX 160 UT1	GX 160 RT1	GX 160 UT2	GX 160 RT2		
1	11500-ZE1-611	COVER ASSY., CHAIN CASE	1	-	1	-	-----	LHN4,LHQ4,LX2,LX26,LX4,LXM2,LXU
2	11521-ZH8-800	PACKING, CHAIN CASE COVER ...	1	-	1	-	-----	LHN4,LHQ4,LX2,LX26,LX4,LXM2,LXU
3	14411-ZE1-611	CHAIN, P.T.O. DRIVE (DID317FM2-34LE)	1	-	1	-	-----	LHN4,LHQ4,LX2,LX26,LX4,LXM2,LXU
4	23110-ZE1-610	SPROCKET, DRIVE(13T)	1	-	1	-	-----	LHN4,LHQ4,LX2,LX26,LX4,LXM2,LXU
5	23710-ZE1-613	SHAFT, P.T.O.(26T)	1	-	1	-	-----	LHN4,LHQ4,LX2,LX26,LX4,LXM2,LXU
6	90015-883-000	BOLT, FLANGE, 6X28(CT200) ...	5	-	5	-	-----	LHN4,LHQ4,LX2,LX26,LX4,LXM2,LXU
7	90456-ZE1-000	SPRING, THRUST	1	-	1	-	-----	LHN4,LHQ4,LX2,LX26,LX4,LXM2,LXU
8	90470-ZE1-000	SPACER, 20MM	1	-	1	-	-----	LHN4,LHQ4,LX2,LX26,LX4,LXM2,LXU
9	90471-ZE1-610	WASHER, 8MM	1	-	1	-	-----	LHN4,LHQ4,LX2,LX26,LX4,LXM2,LXU
10	90741-883-810	KEY, 5X5X33(YELLOW)	1	-	1	-	-----	LHN4,LHQ4,LX2,LX26,LX4,LXM2,LXU
11	91201-Z0T-801	OIL SEAL, 25X41X6	1	-	1	-	-----	LHN4,LHQ4,LX2,LX26,LX4,LXM2,LXU
12	92101-08025-0A	BOLT, HEX., 8X25	1	-	1	-	-----	LHN4,LHQ4,LX2,LX26,LX4,LXM2,LXU
13	94301-08140	DOWEL PIN, 8X14	2	-	2	-	-----	LHN4,LHQ4,LX2,LX26,LX4,LXM2,LXU
14	96100-62050-00	BEARING, RADIAL BALL, 6205 ..	1	-	1	-	-----	LHN4,LHQ4,LX2,LX26,LX4,LXM2,LXU



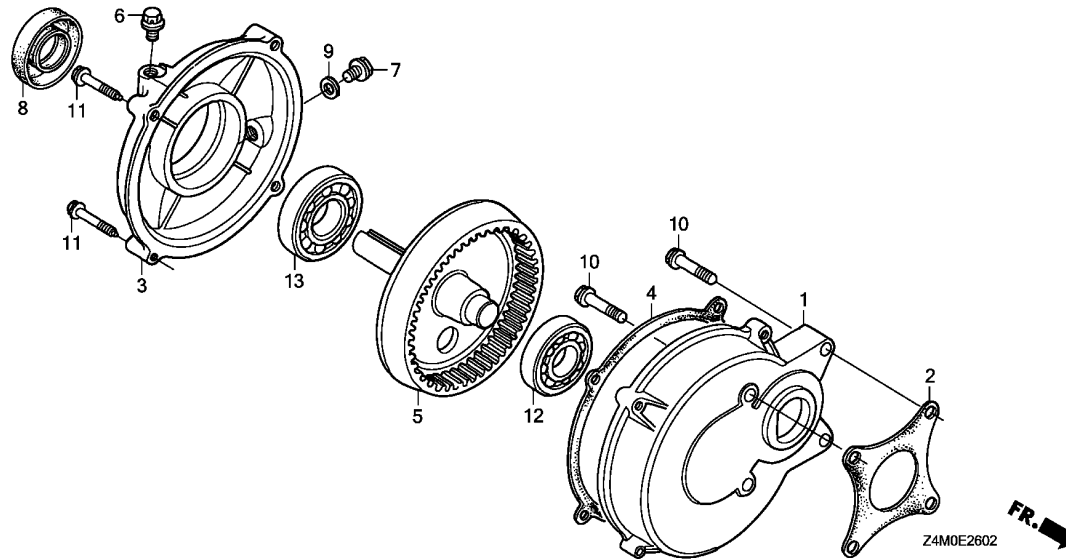
Ref. No.	L.O.N.	(Relative ref. Number) Description	F.R.T.
2	2141Y6	CASE, REDUCTION(R-TYPE)	0.3
3	2141Q0	PACKING, REDUCTION CASE	0.2
4	2141W7	COVER, REDUCTION AND/OR PACKING, REDUCTION COVER (R-TYPE)	0.3
7	2141Z0	DISC, REDUCTION CLUTCH FRICTION	0.3
8	2141Z1	PLATE, REDUCTION CLUTCH	0.3
9	2141Z2	PLATE, REDUCTION CLUTCH PRESSURE	0.3
16	2141W3	CHAIN, POWER TAKE OFF DRIVE (R-TYPE)	0.3
17	2141V8	SHAFT, POWER TAKE OFF(R-TYPE)	0.3
21	2141X4	OIL SEAL, POWER TAKE OFF SHAFT (R-TYPE) :REAR	0.3
30	2141Y5	BEARING, POWER TAKE OFF SHAFT (R-TYPE) :FRONT	0.4
31	2141X9	BEARING, POWER TAKE OFF SHAFT (R-TYPE) :REAR	0.4

Ref. No.	Part No.	Description	Reqd. QTY				Serial No.	Parts catalogue code
			GX 160 UT1	GX 160 RT1	GX 160 UT2	GX 160 RT2		
1	15600-ZH7-000	CAP ASSY., OIL FILLER	1	1	1	1	----- RH2,RHG4,RHQ4,RTB2,RX4,RXE2,RXP2,RXU	
2	21510-883-621	CASE, REDUCTION	1	1	1	1	----- RH2,RHG4,RHQ4,RTB2,RX4,RXE2,RXP2,RXU	
3	21591-ZH8-620	PACKING, REDUCTION CASE	1	1	1	1	----- RH2,RHG4,RHQ4,RTB2,RX4,RXE2,RXP2,RXU	
4	21610-822-611	COVER, REDUCTION	1	1	1	1	----- RH2,RHG4,RHQ4,RTB2,RX4,RXE2,RXP2,RXU	
5	21691-ZH8-800	PACKING, REDUCTION COVER	1	1	1	1	----- RH2,RHG4,RHQ4,RTB2,RX4,RXE2,RXP2,RXU	
6	22121-883-620	CENTER, CLUTCH	1	1	1	1	----- RH2,RHG4,RHQ4,RTB2,RX4,RXE2,RXP2,RXU	
7	22201-822-610	DISK, CLUTCH FRICTION	2	2	2	2	----- RH2,RHG4,RHQ4,RTB2,RX4,RXE2,RXP2,RXU	
8	22311-822-610	PLATE, CLUTCH	2	2	2	2	----- RH2,RHG4,RHQ4,RTB2,RX4,RXE2,RXP2,RXU	
9	22350-822-610	PLATE COMP., CLUTCH PRESSURE	1	1	1	1	----- RH2,RHG4,RHQ4,RTB2,RX4,RXE2,RXP2,RXU	
10	22411-822-611	SPRING, CLUTCH FREE	4	4	4	4	----- RH2,RHG4,RHQ4,RTB2,RX4,RXE2,RXP2,RXU	
11	22421-822-610	HOLDER, CLUTCH SPRING	4	4	4	4	----- RH2,RHG4,RHQ4,RTB2,RX4,RXE2,RXP2,RXU	
12	22521-822-610	WEIGHT, CLUTCH	48	48	48	48	----- RH2,RHG4,RHQ4,RTB2,RX4,RXE2,RXP2,RXU	
13	22531-883-620	HOLDER, CLUTCH WEIGHT	1	1	1	1	----- RH2,RHG4,RHQ4,RTB2,RX4,RXE2,RXP2,RXU	
14	22535-822-610	CENTER, CLUTCH WEIGHT	1	1	1	1	----- RH2,RHG4,RHQ4,RTB2,RX4,RXE2,RXP2,RXU	
15	23120-883-620	SPROCKET COMP., DRIVE	1	1	1	1	----- RH2,RHG4,RHQ4,RTB2,RX4,RXE2,RXP2,RXU	
16	23161-822-611	CHAIN, DRIVE(RK428SH-36LE) ..	1	1	1	1	----- RH2,RHG4,RHQ4,RTB2,RX4,RXE2,RXP2,RXU	
17	23711-822-610	SHAFT COMP., P.T.O.(28T)	1	1	1	1	----- RH2,RHG4,RHQ4,RTB2,RX4,RXE2,RXP2,RXU	
18	90403-883-620	WASHER, THRUST, 20MM	1	1	1	1	----- RH2,RHG4,RHQ4,RTB2,RX4,RXE2,RXP2,RXU	
19	90741-883-621	KEY, 5MM	1	1	1	1	----- RH2,RHG4,RHQ4,RTB2,RX4,RXE2,RXP2,RXU	
20	90741-889-810	KEY, 7X7X33(YELLOW)(O.S.) ..	1	1	1	1	----- RH2,RHG4,RHQ4,RTB2,RX4,RXE2,RXP2,RXU	
21	91202-Z2F-801	OIL SEAL, 30X50X7	1	1	1	1	----- RH2,RHG4,RHQ4,RTB2,RX4,RXE2,RXP2,RXU	
22	91301-805-000	O-RING, 26X2.7	1	1	1	1	----- RH2,RHG4,RHQ4,RTB2,RX4,RXE2,RXP2,RXU	
23	92101-08035-0A	BOLT, HEX., 8X35	1	1	1	1	----- RH2,RHG4,RHQ4,RTB2,RX4,RXE2,RXP2,RXU	
24	92800-12000	BOLT, DRAIN PLUG, 12MM	1	1	1	1	----- RH2,RHG4,RHQ4,RTB2,RX4,RXE2,RXP2,RXU	
25	94109-12000	WASHER, DRAIN PLUG, 12MM	1	1	1	1	----- RH2,RHG4,RHQ4,RTB2,RX4,RXE2,RXP2,RXU	





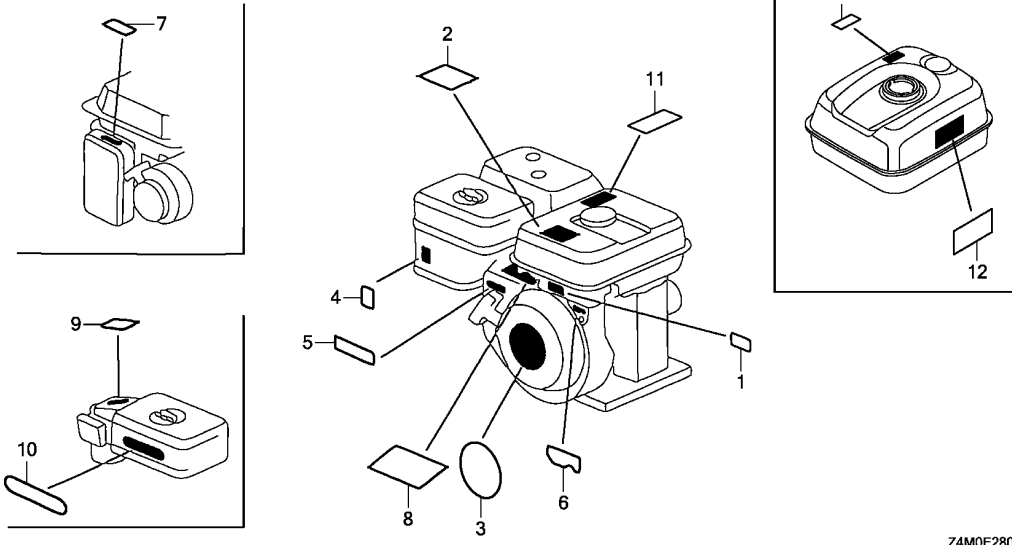
Ref. No.	Part No.	Description	Reqd. QTY				Serial No.	Parts catalogue code
			GX 160 UT1	GX 160 RT1	GX 160 UT2	GX 160 RT2		
26	94111-08800	WASHER, SPRING, 8MM	1	1	1	1	----- RH2,RHG4,RHQ4,RTB2,RX4,RXE2,RXP2,RXU	
27	94301-08100	DOWEL PIN, 8X10	2	2	2	2	----- RH2,RHG4,RHQ4,RTB2,RX4,RXE2,RXP2,RXU	
28	95701-06055-00	BOLT, FLANGE, 6X55	9	9	9	9	----- RH2,RHG4,RHQ4,RTB2,RX4,RXE2,RXP2,RXU	
29	95701-08022-00	BOLT, FLANGE, 8X22	5	5	5	5	----- RH2,RHG4,RHQ4,RTB2,RX4,RXE2,RXP2,RXU	
30	96100-62050-00	BEARING, RADIAL BALL, 6205 ..	1	1	1	1	----- RH2,RHG4,RHQ4,RTB2,RX4,RXE2,RXP2,RXU	
31	96100-62060-00	BEARING, RADIAL BALL, 6206 ..	1	1	1	1	----- RH2,RHG4,RHQ4,RTB2,RX4,RXE2,RXP2,RXU	



Ref. No.	L.O.N.	(Relative ref. Number) Description	F.R.T.
1		(4)	
1	2141Y7	CASE, REDUCTION(H-TYPE)	0.2
2	2141Q0	PACKING, REDUCTION CASE	0.2
3	2141W8	COVER, REDUCTION AND/OR PACKING, REDUCTION COVER (H-TYPE)	0.2
5	2141V9	SHAFT, POWER TAKE OFF(H-TYPE)	0.2
8	2141X5	OIL SEAL, POWER TAKE OFF SHAFT (H-TYPE) :REAR	0.2
12	2141Y4	BEARING, POWER TAKE OFF SHAFT (H-TYPE) :FRONT	0.3
13	2141Y0	BEARING, POWER TAKE OFF SHAFT (H-TYPE) :REAR	0.2

Ref. No.	Part No.	Description	Reqd. QTY				Serial No.	Parts catalogue code
			GX 160 UT1	GX 160 RT1	GX 160 UT2	GX 160 RT2		
1	21521-883-741	CASE, REDUCTION	1	-	1	-	HH26,HHQ4,HX2,HX4,HXE8,HXU	
2	21591-ZH8-740	PACKING, REDUCTION CASE	1	-	1	-	HH26,HHQ4,HX2,HX4,HXE8,HXU	
3	21621-883-741	COVER, REDUCTION	1	-	1	-	HH26,HHQ4,HX2,HX4,HXE8,HXU	
4	21692-ZH8-800	PACKING, REDUCTION COVER	1	-	-	-	HH26,HHQ4,HX2,HX4,HXE8,HXU	
	21692-ZH7-000	-	-	1	-	HH26,HHQ4,HX2,HX4,HXE8	
5	23710-883-740	SHAFT, P.T.O.(86T)	1	-	1	-	HH26,HHQ4,HX2,HX4,HXE8,HXU	
6	90002-883-740	BOLT, BREATHING	1	-	1	-	HH26,HHQ4,HX2,HX4,HXE8,HXU	
7	90131-883-000	BOLT, DRAIN PLUG, 12X15	1	-	1	-	HH26,HHQ4,HX2,HX4,HXE8,HXU	
8	91201-Z0T-801	OIL SEAL, 25X41X6	1	-	1	-	HH26,HHQ4,HX2,HX4,HXE8,HXU	
9	94109-12000	WASHER, DRAIN PLUG, 12MM	1	-	1	-	HH26,HHQ4,HX2,HX4,HXE8,HXU	
10	95701-08032-08	BOLT, FLANGE, 8X32	4	-	4	-	HH26,HHQ4,HX2,HX4,HXE8,HXU	
11	95701-08035-00	BOLT, FLANGE, 8X35	4	-	4	-	HH26,HHQ4,HX2,HX4,HXE8,HXU	
12	96100-62040-00	BEARING, RADIAL BALL, 6204 ..	1	-	1	-	HH26,HHQ4,HX2,HX4,HXE8,HXU	
13	96100-63050-00	BEARING, RADIAL BALL, 6305 ..	1	-	1	-	HH26,HHQ4,HX2,HX4,HXE8,HXU	





Z4M0E2800E

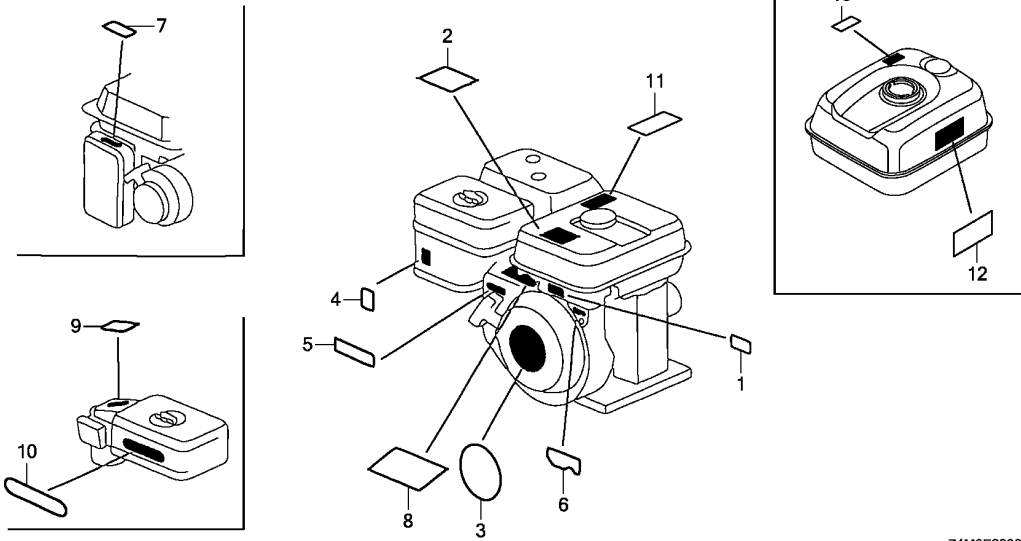
Ref. L.O.N. (Relative ref. Number) F.R.T.
No. Description

NO INFORMATION

Ref. No.	Part No.	Description	Reqd. QTY				Serial No.	Parts catalogue code
			GX 160 UT1	GX 160 RT1	GX 160 UT2	GX 160 RT2		
1	87135-ZE2-020	LABEL, E-SPEC(15.5X27.5)	1	-	-	-	PXU,QXU,SXU,TXU,VXU1	
2	87516-Z4H-000	MARK, OPERATOR CAUTION (ENGLISH)(MADE IN THAI)	1	-	-	-	HH26,HHQ4,HX2,HX4,HXE8,HXU,LHQ4,LX2,LX26,LX4,LXU,PXU,QA2,QA26,QAX2,QBC2,QBM2,QBT6,QCB2,QGR9,QH26,QHQ4,QKA4,QMC6,QMC8,QMD6,QME4,QMP4,QM22,QNT,QNT4,QPU,QW24,QWA4,QWW2,QWX2,QX2,QX26,QX4,QX7,QX9,QXC9,QXE2,QXE4,QXE5,QXE8,QXF2,QXS2,QXU,QXW,QXWE,RH2,RHQ4,RTB2,RX4,RXE2,RXU,SD16,SG24,SHQ4,SMC7,SMC9,SSX2,SWX2,SX4,SX7,SX9,SXE4,SXE5,SXS4,SXU,TW24,TX2,TX26,TX4,TXC9,TXDU,UXU,VA2,VG24,VG29,VMS4,VSD,VSD7,VSD9,VWA2,VX2,VX4,VXE9,VXU1,WKS,WKT2,WKT4,WKT6,WMB0	
	87516-ZH7-810	MARK, OPERATOR CAUTION (PICTOGRAPH)(MADE IN JAPAN)	(1)	-	-	-	HH26,HHQ4,HX2,HX4,HXE8,HXU,QAX2,QKA4,QNT4,QXC9,QXE4,QXE5,QXE8,QXW,QXWE,RH2,RHQ4,RTB2,RX4,RXE2,RXU,SSX2,SXE4,SXE5,TXC9,UXU,VG29,WMB0	
	87516-Z4H-810	MARK, OPERATOR CAUTION (PICTOGRAPH)(MADE IN THAI)	(1)	-	-	-	LHQ4,LX2,LX26,LX4,LXU,PXU,QA2,QA26,QBC2,QBM2,QBT6,QCB2,QGR9,QH26,QHQ4,QMC6,QMC8,QMD6,QME4,QMP4,QM22,QNT,QPU,QW24,QWA4,QWW2,QWX2,QX2,QX26,QX4,QX7,QX9,QXE2,QXF2,QXS2,QXU,SD16,SG24,SHQ4,SMC7,SMC9,SWX2,SX4,SX7,SX9,SXS4,SXU,TW24,TX2,TX26,TX4,TXDU,UXU,VA2,VG24,VMS4,VSD,VSD7,VSD9,VWA2,VX2,VX4,VXE9,VXU1,WKS,WKT2,WKT4,WKT6	
	87519-Z4H-000	MARK, OPERATOR CAUTION (PICTOGRAPH)	1	-	-	-	QAX4,QXC4	
	87516-Z4H-010	MARK, OPERATOR CAUTION (ENGLISH)(MADE IN THAI)	1	-	-	-	QHQU,QXP2,RXP2,SG22,SHQU,SX2,SXS,SXS2,VSD2	
3	87521-ZH8-040	EMBLEM(GX160)	1	1	-	-	HH26,HHQ4,HX2,HX4,HXE8,HXU,QAX2,QAX4,QBM2,QHG4,QHQU,QKA4,QNT4,QXC4,QXC9,QXE4,QXE5,QXE8,QXP2,QXW,QXWE,RH2,RHG4,RHQ4,RTB2,RX4,RXE2,RXP2,RXU,SG22,SHQU,SSX2,SX2,SXE4,SXE5,SXS,SXS2,TXC9,TXDU,UXU,VG29,VSD2,VVWN,WMB0	

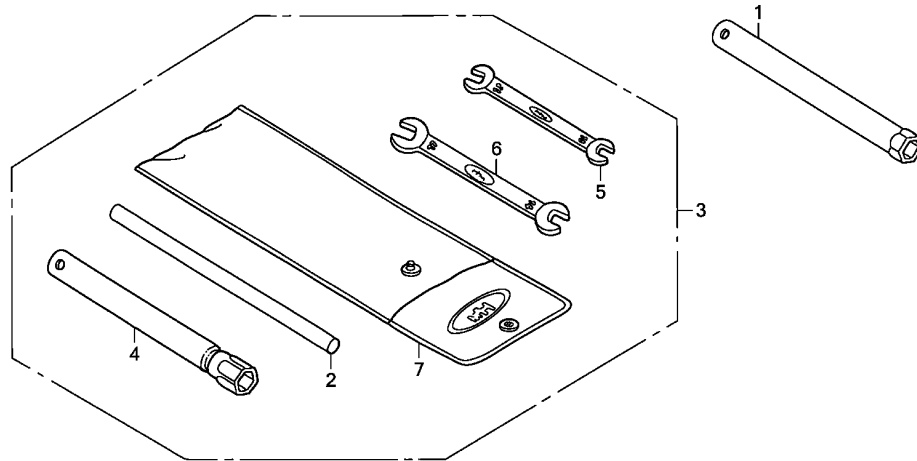
Ref. No.	Part No.	Description	Reqd. QTY				Serial No.	Parts catalogue code
			GX 160 UT1	GX 160 RT1	GX 160 UT2	GX 160 RT2		
(3)	87521-ZH8-030	EMBLEM(GX160 5.5)	1	-	-	-	1782484	LHQ4, LX2, LX26, LX4, LXU, PXU, QA2, QA26, QBC2, QBT6, QCB2, QCL, QGR9, QH26, QHQ4, QMC6, QMC8, QMD6, QME4, QMP4, QMZ2, QNT, QPU, QW24, QWA4, QWX2, QWX2, QX2, QX26, QX4, QX7, QX9, QXE2, QXF2, QXS2, QXU, SD16, SG24, SHQ4, SMC7, SMC9, SWX2, SX4, SX7, SX9, SXS4, SXU, TCS2, TW24, TX2, TX26, TX4, TXU, VA2, VG24, VHA9, VHH4, VMS4, VS17, VS19, VSD, VSD1, VSD7, VSD9, VWA2, VWW2, VX2, VX4, VXE9, VXU1, VXW2, WKS, WKT2, WKT4, WKT6
	87521-ZH8-040	EMBLEM(GX160)	1	-	-	-	1782485	LHQ4, LX2, LX26, LX4, LXU, PXU, QA2, QA26, QBC2, QBT6, QCB2, QCL, QGR9, QH26, QHQ4, QMC6, QMC8, QMD6, QME4, QMP4, QMZ2, QNT, QPU, QW24, QWA4, QWX2, QWX2, QX2, QX26, QX4, QX7, QX9, QXE2, QXF2, QXS2, QXU, SD16, SG24, SHQ4, SMC7, SMC9, SWX2, SX4, SX7, SX9, SXS4, SXU, TCS2, TW24, TX2, TX26, TX4, TXU, VA2, VG24, VHA9, VHH4, VMS4, VS17, VS19, VSD, VSD1, VSD7, VSD9, VWA2, VWW2, VX2, VX4, VXE9, VXU1, VXW2, WKS, WKT2, WKT4, WKT6
	87521-Z4M-000	-	-	1	1	EMAN, HH26, HHQ4, HX2, HX4, HXE8, HXU, LHQ4, LX2, LX4, LXM2, PXU, QA2, QAX2, QAX4, QBC2, QBM2, QGR9, QH26, QHG4, QHQ4, QMC6, QMC8, QMD6, QME4, QMP4, QMX2, QPU, QWA4, QWX2, QX2, QX4, QX9, QXE2, QXE5, QXE8, QXM2, QXS2, QXU, QXWE, RH2, RHG4, RHQ4, RX4, RXE2, RXU, S1CY, SD16, SHQ4, SHRY, SMC7, SMC9, SMW2, SXX2, SWX2, SX4, SX9, SXE5, SXS4, SXU, TX2, TX4, TXDU, UXU, VA2, VES6, VHH4, VS19, VSD9, VVWV, VX2, VXE9, VXU1, WKS, WKT2, WMBO
4	87528-ZH7-000	MARK, CHOKE (GRAY)	1	1	-	-	HH26, HHQ4, HX2, HX4, HXE8, HXU, LHQ4, LX2, LX26, LX4, LXU, PXU, QA2, QA26, QAX2, QAX4, QBC2, QBM2, QBT6, QCB2, QCL, QGR9, QH26, QHG4, QHQ4, QHQ4, QKA4, QMC6, QMC8, QMD6, QME4, QMP4, QMZ2, QNT, QNT4, QPU, QWA4, QWX2, QX2, QX26, QX4, QX7, QX9, QXC4, QXC9, QXE2, QXE4, QXE5, QXE8, QXF2, QXP2, QXS2, QXU, RH2, RHG4, RHQ4, RTB2, RX4, RXE2, RXP2, RXU, SD16, SG22, SG24, SHQ4, SHQU, SMC7, SMC9, SXX2, SWX2, SX2, SX4, SX7, SX9, SXE4, SXE5, SXS, SXS2, SXS4, SXU, TCS2, TX2, TX26, TX4, TXC9, TXDU, TXU, UXU, VA2, VG24, VG29, VGE2, VGE4, VHA9, VHH4, VMS4, VPM4, VPM5, VPM8, VPM9, VPR4, VSD, VSD2, VSD7, VSD9, VWA2, VX2, VX4, VXE9, VXU1, VXW2, WKS, WKT2, WKT4, WKT6, WMBO
	87528-Z4M-000	MARK, CHOKE	-	-	1	1	HH26, HHQ4, HX2, HX4, HXE8, HXU, LHQ4, LX2, LX4, LXM2, PXU, QA2, QAX2, QAX4, QBC2, QBM2, QGR9, QH26, QHG4, QHQ4, QMC6, QMC8, QMD6, QME4, QMP4, QMX2, QPU, QWA4, QWX2, QX2, QX4, QX9, QXE2, QXE5, QXE8, QXM2, QXS2, QXU, RH2, RHG4, RHQ4, RX4, RXE2, RXU, S1CY, SD16, SHQ4, SHRY, SMC7, SMC9, SMW2, SXX2, SWX2, SX4, SX9, SXE5, SXS4, SXU, TX2, TX4, TXDU, UXU, VA2, VGE4, VHH4, VSD9, VX2, VXE9, VXU1, WKS, WKT2, WMBO
5	87532-ZH7-000	MARK, THROTTLE INDICATION ...	1	1	1	1	HH26, HHQ4, HX2, HX4, HXE8, HXU, LHQ4, LX2, LX26, LX4, LXM2, LXU, PXU, QA2, QA26, QAX2, QAX4, QBC2, QBM2, QBT6, QCB2, QCL, QGR9, QH26, QHG4, QHQ4, QHQ4, QKA4, QMC6, QMC8, QMD6, QME4, QMP4, QMX2, QMZ2, QNT, QNT4, QPU, QWA4, QWX2, QX2, QX26, QX4, QX7, QX9, QXC4, QXC9, QXE2, QXE4, QXE5, QXE8, QXF2, QXM2, QXP2, QXS2, QXU, QXW, QXWE, RH2, RHG4, RHQ4, RTB2, RX4, RXE2, RXP2, RXU, S1CY, SD16, SG22, SG24, SHQ4, SHQU, SHRY, SMC7, SMC9, SMW2, SXX2, SWG4, SWX2, SX2, SX4, SX7, SX9, SXE4, SXE5, SXS, SXS2, SXS4, SXU, TCS2, TX2, TX26, TX4, TXC9, TXDU, TXU, UXU, VA2, VES6, VG24, VG29, VX2, VX4, VXE9, VXW2, WKS, WKT2, WKT4, WKT6, WMBO
6	87532-ZH9-W41	MARK, ENGINE SWITCH	1	-	-	1	VS17, VS19, VSD1
7	87528-ZB2-630	MARK, CHOKE	1	-	-	1	VPM5, VPM8, VPM9, VPMN, VPR9
8	87516-Z4H-000	MARK, OPERATOR CAUTION (ENGLISH)(MADE IN THAI)	1	1	-	-	QCL, QHG4, RHG4, SWG4, TCS2, VGE4, VHA9, VHH4, VPM4, VPM5, VPM8, VPM9, VPMN, VPR4, VPR9, VS17, VS19, VSD1, VVW2, VVWN, VXW2
	87516-Z4H-810	MARK, OPERATOR CAUTION (PICTOGRAPH)(MADE IN THAI)	(1)	-	-	-	QCL, QHG4, TCS2, VGE4, VGE5, VHA9, VHH4, VPM4, VPM5, VPM8, VPM9, VPMN, VPR4, VPR9, VS17, VS19, VSD1, VVW2, VVWN, VXW2
	87516-Z4H-010	MARK, OPERATOR CAUTION (ENGLISH)(MADE IN THAI)	1	-	-	-	VGE2
	87516-ZH7-810	MARK, OPERATOR CAUTION (PICTOGRAPH)(MADE IN JAPAN)	-	(1)	-	-	
9	87534-ZE1-841	LABEL, AIR CLEANER CAUTION ..	1	-	-	-	QNT4, QXC4, QXC9, TXC9, VG29
10	87535-ZE1-841	MARK, AIR CLEANER SALES POINT	1	-	-	-	QNT4, QXC4, QXC9, TXC9, VG29





Z4M0E2800E

Ref. No.	Part No.	Description	Reqd. QTY				Serial No.	Parts catalogue code
			GX 160 UT1	GX 160 RT1	GX 160 UT2	GX 160 RT2		
11	87539-Z0J-000	MARK, EX. CAUTION(ENGLISH) ..	1	-	-	-	QHQU,QXP2,RXP2,SG22,SHQU,SX2,SXS,SXS2,VSD2	
12	87516-Z4H-010	MARK, OPERATOR CAUTION (ENGLISH)(MADE IN THAI)	-	-	1	1	EMAN,HH26,HX2,HXE8,LX2,LXM2,PXU,QA2,QAX2,QBM2,QGR9,QH26,QMX2,QWX2,QX2,QXE2,QXE8,QXM2,QXS2,QXU,RH2,RXE2,RXU,SD16,SMW2,SSX2,SWX2,SXU,TX2,TXDU,UXU,VA2,VWS,VWWN,VX2,VXU1,WKT2	
	87519-Z4H-000	MARK, OPERATOR CAUTION (PICTOGRAPH)	-	-	1	1	HHQ4,HX4,LHN4,LHQ4,LX4,QAX4,QBC2,QHG4,QHQ4,QMC6,QMC8,QMD6,QME4,QMP4,QPU,QWA4,QX4,QX9,QXE5,QXWE,RHG4,RHQ4,RX4,S1CY,SHQ4,SHRY,SMC7,SMC9,SWG4,SX4,SX9,SXE5,SXS4,TX4,VGE4,VGE5,VHH4,VPM5,VS19,VSD9,VXE9,WKS,WMB0	
13	87539-Z4M-000	MARK, EX. CAUTION(ENGLISH) ..	-	-	1	-	HH26,HX2,HXE8,LX2,LXM2,PXU,QA2,QAX2,QBM2,QGR9,QH26,QMX2,QWX2,QX2,QXE2,QXE8,QXM2,QXS2,QXU,RH2,RXE2,RXU,SD16,SMW2,SSX2,SWX2,SXU,TX2,TXDU,UXU,VA2,VX2,VXU1,WKT2	



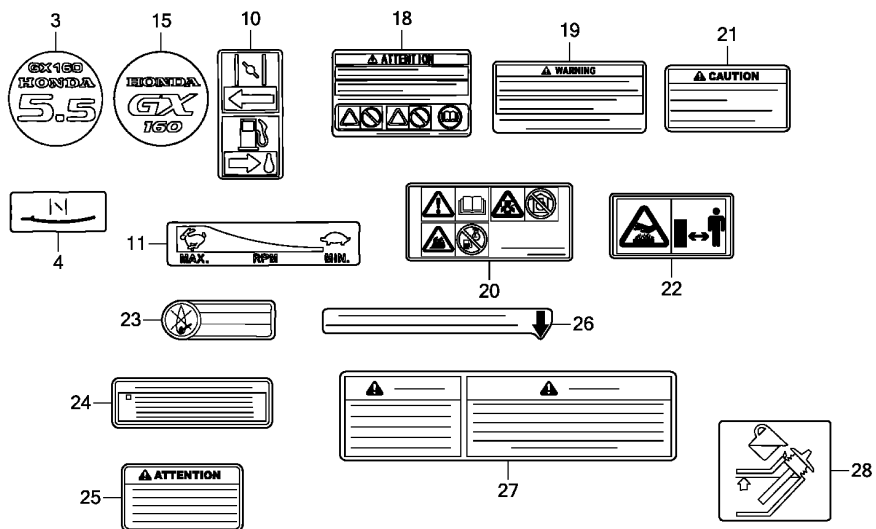
Z4M0E2900B

Ref. No.	L.O.N.	(Relative ref. Number) Description	F.R.T.
----------	--------	------------------------------------	--------

NO INFORMATION

Ref. No.	Part No.	Description	Reqd. QTY				Serial No.	Parts catalogue code
			GX 160 UT1	GX 160 RT1	GX 160 UT2	GX 160 RT2		
1	89216-Z0T-800	WRENCH, SPARK PLUG	1	-	1	1	-----	EMAN, LXM2, PXU, QBC2, QBM2, QMC8, QMD6, QMX2, QMZ2, QNT4, QWA4, QXM2, QXU S1CY, SHRY, SMC7, SMC9, SSSX2, SWG4, SXU, TXDU, TXU, VXU1, WKS, WKT2, WKT4 WKT6, WMBO QA2, QA26, QNT, QXC4, QXC9, TXC9, VG29
2	89219-805-000	HANDLE, BOX WRENCH	(1)	-	(1)	-	-----	QMX2, SWG4, WKS
3	89000-ZE1-000	TOOL KIT	1	1	1	1	-----	SWG4
4	89218-ZE1-000	WRENCH COMP., SPARK PLUG	-	1	-	-	-----	SWG4
	89216-809-000	-	-	1	-	-----	SMW2
5	99001-10120	SPANNER, 10X12	-	1	-	-	-----	SWG4
	89212-KWW-601	-	-	-	1	-----	SWG4
6	99001-14170	SPANNER, 14X17	-	1	-	-	-----	SWG4
7	99008-02300	BAG, TOOL, 230MM	-	1	-	1	-----	SWG4





Z4M0E4000E

Ref. L.O.N. (Relative ref. Number) F.R.T.
No. Description

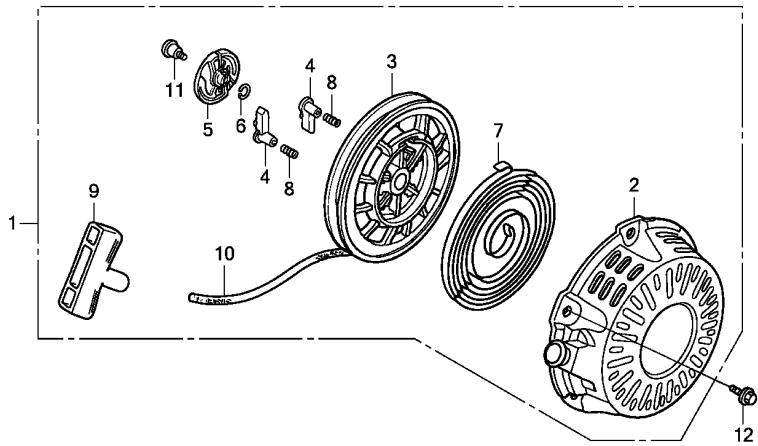
NO INFORMATION

2

Ref. No.	Part No.	Description	Reqd. QTY				Serial No.	Parts catalogue code
			GX 160 UT1	GX 160 RT1	GX 160 UT2	GX 160 RT2		
3	87521-ZH8-030	EMBLEM(GX160 5.5)	1	-	-	-	1782484	VPM4, VPM5, VPM8, VPM9, VPR4, VPR9
4	87528-ZB2-630	MARK, CHOKE	1	-	-	1	-	EMAN, VES6, VS17, VS19, VSD1, VWS, VWW2, VWWN
10	87528-ZH7-000	MARK, CHOKE(GRAY)	1	-	-	-	-	QW24, QWW2, TW24
11	87532-ZH7-000	MARK, THROTTLE INDICATION	1	-	-	-	-	QW24, QWW2, TW24
15	87521-ZH8-040	EMBLEM(GX160)	1	1	-	-	-	SWG4, VPMN
	87521-Z4M-000		-	-	-	1	1782485	VPM4, VPM5, VPM8, VPM9, VPR4, VPR9
			-	-	-	-	-	SWG4, VPM5, VWS
18	87516-Z4H-800	MARK, OPERATOR CAUTION(FRENCH) (MADE IN THAI)	1	1	-	-	-	HH26, HHQ4, HX2, HX4, HXE8, HXU, LHQ4, LX2, LX26, LX4, LXU, PXU, QA2, QA26, QAX2, QBC2, QBM2, QBT6, QCB2, QCL, QGR9, QH26, QHG4, QHQ4, QKA4, QMC6, QMC8, QMD6, QME4, QMP4, QMZ2, QNT, QNT4, QPU, QW24, QWA4, QWW2, QWX2, QX2, QX26, QX4, QX7, QX9, QXC9, QXE2, QXE4, QXE5, QXE8, QXF2, QXS2, QXU, QXW, QXWE, RH2, RHG4, RHQ4, RTB2, RX4, RXE2, RXU, SD16, SG24, SHQ4, SMC7, SMC9, SSX2, SWG4, SWX2, SX4, SX7, SX9, SXE4, SXE5, SXS4, SXU, TCS2, TW24, TX2, TX26, TX4, TXC9, TXDU, TXU, UXU, VA2, VG24, VG29, VGE4, VHA9, VHH4, VMS4, VPM4, VPM5, VPM8, VPM9, VPMN, VPR4, VPR9, VS17, VS19, VSD, VSD1, VSD7, VSD9, VWA2, VWW2, VWWN, VX2, VX4, VXE9, VXU1, VXW2, WKS, WKT2, WKT4, WKT6, WMBO
19	87516-Z4H-801	MARK, OPERATOR CAUTION(FRENCH) (MADE IN THAI)	1	-	-	-	-	QAX4, QHQU, QXC4, QXP2, RXP2, SG22, SHQU, SX2, SXS, SXS2, VGE2, VSD2
	87516-Z4H-010	MARK, OPERATOR CAUTION (ENGLISH)(MADE IN THAI)	1	-	-	-	-	QAX4, QXC4
	87516-Z4H-801	MARK, OPERATOR CAUTION(FRENCH) (MADE IN THAI)	-	-	1	1	-	

Ref. No.	Part No.	Description	Reqd. QTY				Serial No.	Parts catalogue code
			GX 160 UT1	GX 160 RT1	GX 160 UT2	GX 160 RT2		
19)	87516-Z4H-010	MARK, OPERATOR CAUTION (ENGLISH)(MADE IN THAI)	-	-	1	1	-----	HHQ4, HX4, LHN4, LHQ4, LX4, QAX4, QBC2, QHG4, QHQ4, QMC6, QMC8, QMD6, QME4, QMP4, QPU, QWA4, QX4, QX9, QXE5, QXWE, RHG4, RHQ4, RX4, S1CY, SHQ4, SHRY, SMC7, SMC9, SWG4, SX4, SX9, SXE5, SXS4, TX4, VES6, VGE4, VGE5, VHH4, VPM5, VS19, VSD9, VXE9, WKS, WMBO
20	87519-Z4H-000	MARK, OPERATOR CAUTION (PICTOGRAPH)	1	-	-	-	-----	QHQU, QXP2, RXP2, SG22, SHQU, SX2, SXS, SXS2, VGE2, VSD2
			-	-	1	1	-----	EMAN, HH26, HX2, HXE8, LX2, LXM2, PXU, QA2, QAX2, QBM2, QGR9, QH26, QMX2, QWX2, QX2, QXE2, QXE8, QXM2, QXS2, QXU, RH2, RXE2, RXU, SD16, SMW2, SXS2, SWX2, SXU, TX2, TXDU, UXU, VA2, VES6, VWS, VWWN, VX2, VXU1, WKT2
21	87539-Z0J-810	MARK, EX. CAUTION(FRENCH) ...	1	-	-	-	-----	QAX4, QHQ4, QXC4, QXP2, RXP2, SG22, SHQU, SX2, SXS, SXS2, VSD2
	87539-Z0J-000	MARK, EX. CAUTION(ENGLISH) ..	1	-	-	-	-----	QAX4, QXC4
	87539-Z4M-000	-	-	1	1	-----	HHQ4, HX4, LHN4, LHQ4, LX4, QAX4, QBC2, QHG4, QHQ4, QMC6, QMC8, QMD6, QME4, QMP4, QPU, QWA4, QX4, QX9, QXE5, QXWE, RHG4, RHQ4, RX4, S1CY, SHQ4, SHRY, SMC7, SMC9, SX4, SX9, SXE5, SXS4, TX4, VHH4, VSD9, VXE9, WKS, WMBO
22	87539-Z0J-800	MARK, EX. CAUTION(PICTOGRAPH)	1	-	-	-	-----	QHQU, QXP2, RXP2, SG22, SHQU, SX2, SXS, SXS2, VSD2
	87539-Z4M-800	-	-	1	-	-----	HH26, HX2, HXE8, LX2, LXM2, PXU, QA2, QAX2, QBM2, QGR9, QH26, QMX2, QWX2, QX2, QXE2, QXE8, QXM2, QXS2, QXU, RH2, RXE2, RXU, SD16, SMW2, SXS2, SWX2, SXU, TX2, TXDU, UXU, VA2, VX2, VXU1, WKT2
23	87522-883-660	MARK, CAUTION (ENGLISH/FRENCH/SPANISH)	-	-	-	1	-----	VES6
24	87533-ZCO-630	MARK, AIR CLEANER(ENGLISH) ..	-	-	-	1	-----	EMAN, VES6, VWS
25	87539-Z4M-810	MARK, EX. CAUTION(FRENCH) ...	-	-	1	1	-----	HH26, HHQ4, HX2, HX4, HXE8, LHN4, LHQ4, LX2, LX4, LXM2, PXU, QA2, QAX2, QAX4, QBC2, QBM2, QGR9, QH26, QHG4, QHQ4, QMC6, QMC8, QMD6, QME4, QMP4, QMX2, QPU, QWA4, QWX2, QX2, QX4, QX9, QXE2, QXE5, QXE8, QXM2, QXS2, QXU, QXWE, RH2, RHG4, RHQ4, RX4, RXE2, RXU, S1CY, SD16, SHQ4, SHRY, SMC7, SMC9, SMW2, SXS2, SWX2, SX4, SX9, SXE5, SXS4, SXU, TX2, TX4, TXDU, UXU, VA2, VHH4, VSD9, VX2, VXE9, VXU1, WKS, WKT2, WMBO
26	87539-ZB2-630	MARK, EX. CAUTION	-	-	-	1	-----	VES6
27	87549-YGO-710	LABEL, SPARK WARNING	-	-	1	-	-----	LXM2, QXM2
28	87594-ZB4-A00	MARK, OIL CAUTION	-	-	-	1	-----	VES6





FR. →

Z4M0E4001

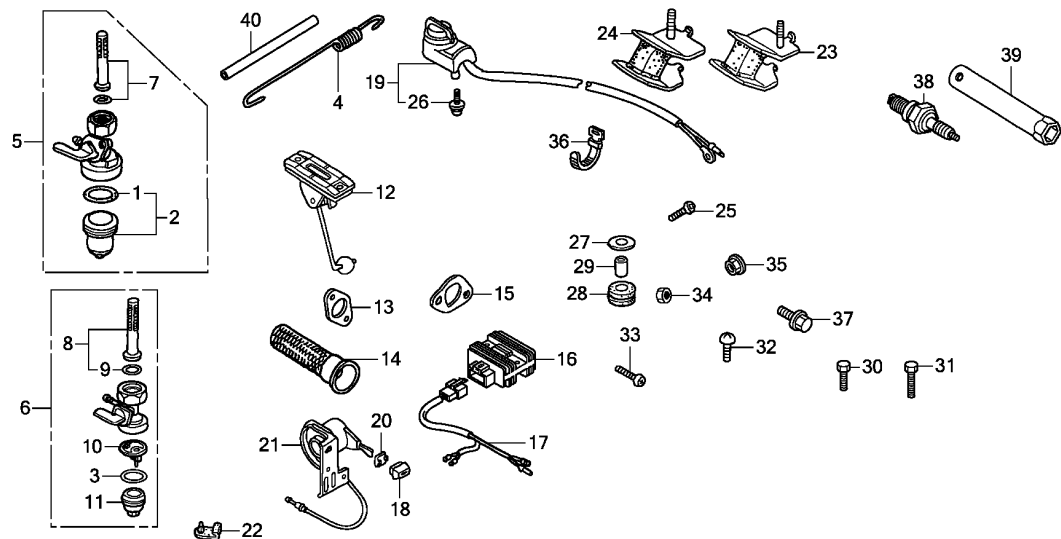
Ref. No.	L.O.N.	(Relative ref. Number) Description	F.R.T.
1	1121B9	STARTER, RECOIL	0.1
3	1121B1	REEL, RECOIL STARTER	0.3
4		(8)	
	1121B0	RATCHET, STARTER AND/OR SPRING, RATCHET	0.2
		.NOTE: Same time for two units (6)	
5	1121A4	GUIDE, RATCHET	0.2
7	1121B7	SPRING, RECOIL STARTER RETURN	0.3
10	1121B3	ROPE, RECOIL STARTER	0.3

Ref. No.	Part No.	Description	Reqd. QTY				Serial No.	Parts catalogue code
			GX 160 UT1	GX 160 RT1	GX 160 UT2	GX 160 RT2		
1	28400-ZB2-C03ZA	STARTER ASSY., RECOIL *NH1*.....BLACK	-	-	-	1	-----	VWS
2	28410-ZB2-C02ZA	CASE COMP., RECOIL STARTER *NH1*.....BLACK	-	-	-	1	-----	VWS
3	28420-ZH8-013	REEL, RECOIL STARTER(NATURAL)	-	-	-	1	-----	VWS
4	28422-ZH8-013	RATCHET, STARTER	-	-	-	2	-----	VWS
5	28433-ZH8-003	GUIDE, RATCHET	-	-	-	1	-----	VWS
6	28441-ZH8-003	SPRING, FRICTION	-	-	-	1	-----	VWS
7	28442-ZH8-003	SPRING, RECOIL STARTER	-	-	-	1	-----	VWS
8	28443-ZH8-003	SPRING, RETURN	-	-	-	2	-----	VWS
9	28461-ZE1-013	KNOB, RECOIL STARTER	-	-	-	1	-----	VWS
10	28462-ZH8-003	ROPE, RECOIL STARTER	-	-	-	1	-----	VWS
11	90003-ZH8-003	SCREW, SETTING	-	-	-	1	-----	VWS
12	90008-ZE2-003	BOLT, FLANGE, 6X10	-	-	-	3	-----	VWS

E-40-2

OTHER PARTS(3)

K 4



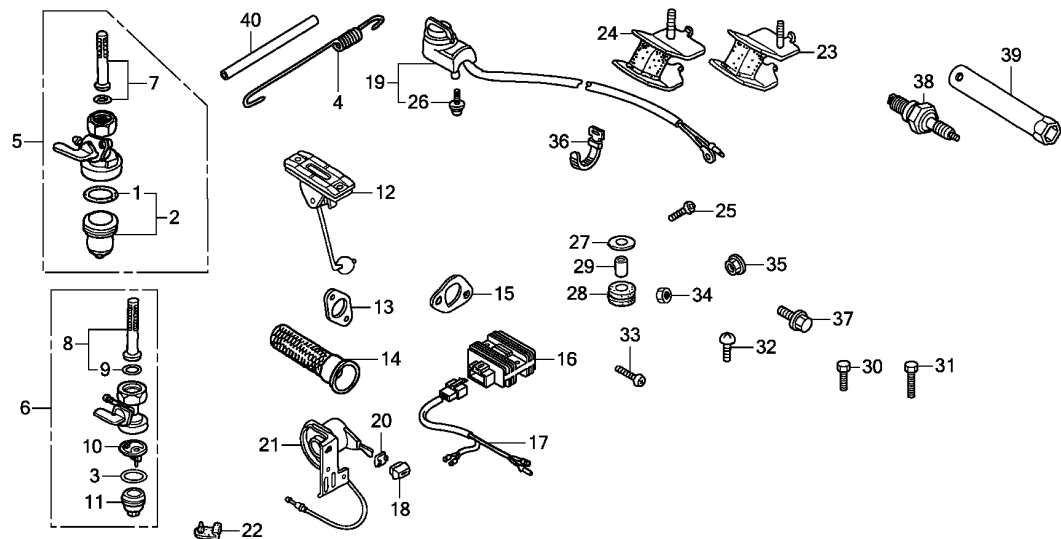
Z4M0E4002

Ref. L.O.N. (Relative ref. Number) F.R.T.
No. Description

NO INFORMATION

Ref. No.	Part No.	Description	Reqd. QTY				Serial No.	Parts catalogue code
			GX 160 UT1	GX 160 RT1	GX 160 UT2	GX 160 RT2		
1	16080-898-631	PACKING SET, COCK	-	-	-	1	EMAN, VES6	
2	16081-471-831	CUP, FUEL STRAINER	-	-	-	1	EMAN, VES6	
3	16173-001-004	PACKING, FUEL STRAINER CUP ..	-	-	-	1	VWS	
4	16561-ZL0-000	SPRING, GOVERNOR	1	-	-	1	VPM5, VPM9, VPMN, VPR4, VPR9	
5	16950-898-633	COCK ASSY., FUEL	-	-	-	1	EMAN, VES6	
6	16950-ZB4-015	COCK ASSY., FUEL	-	-	-	1	VWS	
7	16952-GG2-731	SCREEN SET	-	-	-	1	EMAN, VES6	
8	16952-ZB4-005	SCREEN SET, FUEL STRAINER ..	-	-	-	1	VWS	
9	16958-397-771	O-RING, 9.0X1.3	-	-	-	1	VWS	
10	16959-471-831	FILTER, CUP	-	-	-	1	VWS	
11	16967-GA6-671	CUP, FUEL STRAINER	-	-	-	1	VWS	
12	17505-ZB2-003	METER ASSY., FUEL	-	-	-	1	VWS	
13	18333-ZB4-801	GASKET, EX. PIPE	-	-	-	1	VWS	
14	18355-ZE1-810	ARRESTER, SPARK(SILENT)	1	-	-	1	VPM5, VPM9, VPMN, VPR9	
15	18381-ZH8-800	GASKET, MUFFLER	1	-	-	-	VPM5, VPM9, VPMN, VPR9, VWW2, VWWN	
16	31600-ZE2-861	RECTIFIER ASSY., REGULATOR (10A)	1	-	1	-	QAX2, QAX4, QXE5, QXW, QXWE, SXE5	
17	32110-ZB5-630	HARNESS ASSY., SUB WIRE	1	-	1	-	QAX2, QAX4, QXE5, QXW, QXWE, SXE5	
18	32343-892-003	KNOB, COCK LEVER	-	-	-	1	VES6	
19	35120-746-C21	SWITCH ASSY., ENGINE STOP ..	1	-	1	-	QMP4, QPU	
20	36106-892-003	BUSH, CONTROL KNOB	-	-	-	1	VES6	
21	36110-ZB2-003	SWITCH ASSY., ENGINE	-	-	-	1	VES6	
22	50319-ZB2-000	RUBBER, TANK MOUNTING	-	-	-	2	VES6, VWS	
23	68326-ZB2-000	RUBBER, FR. BOTTOM	-	-	-	1	VWS	
24	68327-ZB2-000	RUBBER, RR. BOTTOM	-	-	-	1	VWS	

2



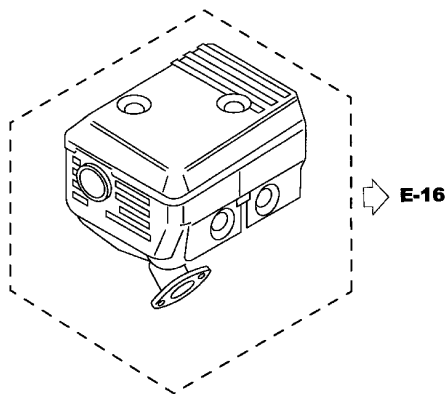
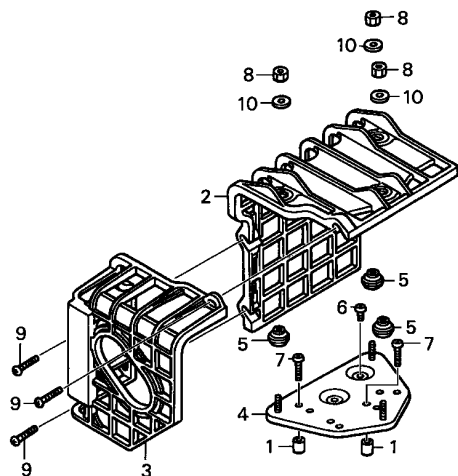
Z4M0E4002

Ref. No.	Part No.	Description	Reqd. QTY				Serial No.	Parts catalogue code
			GX 160 UT1	GX 160 RT1	GX 160 UT2	GX 160 RT2		
25	90055-ZE1-000	SCREW, TAPPING, 4X6	1	-	-	-	VPM5, VPM9, VPMN, VPR9	
			-	-	-	(1)	VPM5	
26	90105-733-D61	BOLT, 3X12(SEMS)	1	-	1	-	QMP4, QPU	
27	90503-898-000	WASHER, TANK CUSHION	-	-	-	2	VWS	
28	90851-898-000	RUBBER, TANK CUSHION	-	-	-	2	VWS	
29	91551-898-000	COLLAR, TANK CUSHION	-	-	-	2	VWS	
30	92101-08020-0A	BOLT, HEX., 8X20	-	-	-	2	VES6	
31	92101-08025-0A	BOLT, HEX., 8X25	-	-	1	-	S1CY, SHRY, SMW2, SSX2	
32	93500-03006-OH	SCREW, PAN, 3X6	1	-	-	-	QMP4, QPU	
33	93500-05040-OG	SCREW, PAN, 5X40	1	-	-	1	VPM5, VPM9, VPMN, VPR9	
34	94001-08000-0S	NUT, HEX., 8MM	2	-	-	-	VPM5, VPM9, VPMN, VPR9, VWV2, VWWN	
			-	-	-	2	SWG4, VES6, VWWN	
35	94050-06000	NUT, FLANGE, 6MM	-	-	-	2	VGE4, VGE5	
36	95014-62100	BAND B1, WIRE	1	-	1	-	QPU	
37	95701-06010-00	BOLT, FLANGE, 6X10	-	-	-	1	EMAN, VWS	
38	98079-56876	PLUG, SPARK(BPR6ES) (NGK)	-	-	-	1	VWS	
39	99004-21001	WRENCH, BOX (P21)	-	-	-	1	VES6, VWS	
40	91424-Z5M-812	TUBE, FUEL, 4.5X210(FKM)	-	-	-	1	VES6	

EOP-1

MUFFLER COVER

K 6



Z4M0-X0100



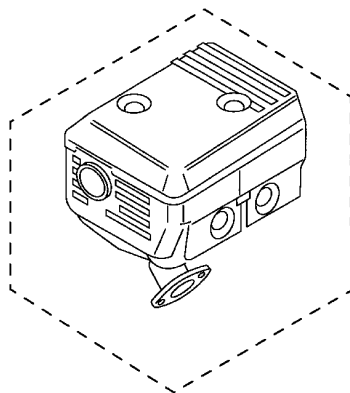
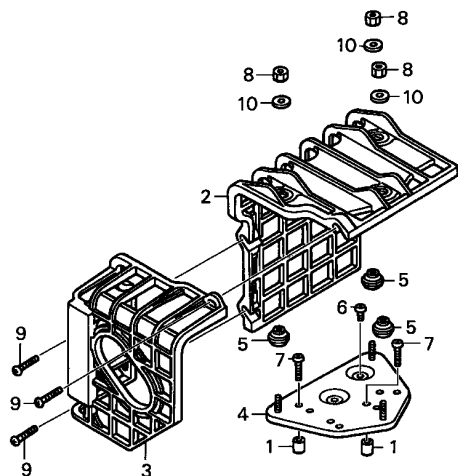
Ref. No.	L.O.N.	(Relative ref. Number) Description	F.R.T.
2	3131A7	COVER, EXHAUST MUFFLER	0.1
3	3131A6	COVER, EXHAUST MUFFLER :REAR .	0.1
4	3131A2	BASE, EXHAUST MUFFLER COVER ..	0.2

Ref. No.	Part No.	Description	Reqd. QTY				Serial No.	Parts catalogue code
			GX 160	GX 160	GX 160	GX 160		
1	17233-896-701	COLLAR, AIR CLEANER CASE	(2)	(2)	(2)	(2)	HHQ4, HX4, LHN4, LHQ4, LX4, QHG4, QHQ4, QHQU, QKA4, QMC6, QMC8, QMD6, QME4, QMP4, QNT, QNT4, QW24, QWA4, QWW2, QX4, QX7, QX9, QXE4, QXE5, QXW, QXWE, RHG4, RHQ4, RX4, S1CY, SG22, SG24, SHQ4, SHQU, SMC7, SMC9, SWG4, SWX2, SX2, SX4, SX7, SX9, SXE4, SXE5, SXS, SXS2, SXS4, TW24, TX4, VG24, VG29, VHA9, VHH4, VMS4, VSD, VSD2, VSD7, VSD9, VX4, VXE9, WKT4, WMBO	
2	18433-ZH8-W40	COVER COMP., MUFFLER	(1)	(1)	(1)	(1)	HHQ4, HX4, LHN4, LHQ4, LX4, QHG4, QHQ4, QHQU, QKA4, QMC6, QMC8, QMD6, QME4, QMP4, QNT, QNT4, QW24, QWA4, QWW2, QX4, QX7, QX9, QXE4, QXE5, QXW, QXWE, RHG4, RHQ4, RX4, S1CY, SG22, SG24, SHQ4, SHQU, SMC7, SMC9, SWG4, SWX2, SX2, SX4, SX7, SX9, SXE4, SXE5, SXS, SXS2, SXS4, TW24, TX4, VG24, VG29, VHA9, VHH4, VMS4, VSD, VSD2, VSD7, VSD9, VX4, VXE9, WKT4, WMBO	
3	18434-ZH8-W40	COVER COMP., RR. MUFFLER	(1)	(1)	(1)	(1)	HHQ4, HX4, LHN4, LHQ4, LX4, QHG4, QHQ4, QHQU, QKA4, QMC6, QMC8, QMD6, QME4, QMP4, QNT, QNT4, QW24, QWA4, QWW2, QX4, QX7, QX9, QXE4, QXE5, QXW, QXWE, RHG4, RHQ4, RX4, S1CY, SG22, SG24, SHQ4, SHQU, SMC7, SMC9, SWG4, SWX2, SX2, SX4, SX7, SX9, SXE4, SXE5, SXS, SXS2, SXS4, TW24, TX4, VG24, VG29, VHA9, VHH4, VMS4, VSD, VSD2, VSD7, VSD9, VX4, VXE9, WKT4, WMBO	
4	18436-ZH8-W40	BASE COMP., MUFFLER COVER ...	(1)	(1)	(1)	(1)	HHQ4, HX4, LHN4, LHQ4, LX4, QHG4, QHQ4, QHQU, QKA4, QMC6, QMC8, QMD6, QME4, QMP4, QNT, QNT4, QW24, QWA4, QWW2, QX4, QX7, QX9, QXE4, QXE5, QXW, QXWE, RHG4, RHQ4, RX4, S1CY, SG22, SG24, SHQ4, SHQU, SMC7, SMC9, SWG4, SWX2, SX2, SX4, SX7, SX9, SXE4, SXE5, SXS, SXS2, SXS4, TW24, TX4, VG24, VG29, VHA9, VHH4, VMS4, VSD, VSD2, VSD7, VSD9, VX4, VXE9, WKT4, WMBO	
5	18466-ZH8-W40	SPACER, MUFFLER COVER	(3)	(3)	(3)	(3)	HHQ4, HX4, LHN4, LHQ4, LX4, QHG4, QHQ4, QHQU, QKA4, QMC6, QMC8, QMD6, QME4, QMP4, QNT, QNT4, QW24, QWA4, QWW2, QX4, QX7, QX9, QXE4, QXE5, QXW, QXWE, RHG4, RHQ4, RX4, S1CY, SG22, SG24, SHQ4, SHQU, SMC7, SMC9, SWG4, SWX2, SX2, SX4, SX7, SX9, SXE4, SXE5, SXS, SXS2, SXS4, TW24, TX4, VG24, VG29, VHA9, VHH4, VMS4, VSD, VSD2, VSD7, VSD9, VX4, VXE9, WKT4, WMBO	

2

EOP-1

MUFFLER COVER



E-16

Z4M0-X0100



Ref. No.	Part No.	Description	Reqd. QTY				Serial No.	Parts catalogue code
			GX 160 UT1	GX 160 RT1	GX 160 UT2	GX 160 RT2		
6	90050-ZE1-000	SCREW, TAPPING, 5X8	(1)	(1)	(1)	(1)	HHQ4, HX4, LHN4, LHQ4, LX4, QHG4, QHQ4, QHQU, QKA4, QMC6, QMC8, QMD6, QME4, QMP4, QNT, QNT4, QW24, QWA4, QWW2, QX4, QX7, QX9, QXE4, QXE5, QXW, QXWE, RHG4, RHQ4, RX4, S1CY, SG22, SG24, SHQ4, SHQU, SMC7, SMC9, SWG4, SWX2, SX2, SX4, SX7, SX9, SXE4, SXE5, SXS, SXS2, SXS4, TW24, TX4, VG24, VG29, VHA9, VHH4, VMS4, VSD, VSD2, VSD7, VSD9, VX4, VXE9, WKT4, WMBO	
7	90050-ZH8-W40	SCREW, TAPPING, 5X25	(2)	(2)	(2)	(2)	HHQ4, HX4, LHN4, LHQ4, LX4, QHG4, QHQ4, QHQU, QKA4, QMC6, QMC8, QMD6, QME4, QMP4, QNT, QNT4, QW24, QWA4, QWW2, QX4, QX7, QX9, QXE4, QXE5, QXW, QXWE, RHG4, RHQ4, RX4, S1CY, SG22, SG24, SHQ4, SHQU, SMC7, SMC9, SWG4, SWX2, SX2, SX4, SX7, SX9, SXE4, SXE5, SXS, SXS2, SXS4, TW24, TX4, VG24, VG29, VHA9, VHH4, VMS4, VSD, VSD2, VSD7, VSD9, VX4, VXE9, WKT4, WMBO	
8	90302-KF9-900	NUT, HEX., 5MM	(3)	(3)	(3)	(3)	HHQ4, HX4, LHN4, LHQ4, LX4, QHG4, QHQ4, QHQU, QKA4, QMC6, QMC8, QMD6, QME4, QMP4, QNT, QNT4, QW24, QWA4, QWW2, QX4, QX7, QX9, QXE4, QXE5, QXW, QXWE, RHG4, RHQ4, RX4, S1CY, SG22, SG24, SHQ4, SHQU, SMC7, SMC9, SWG4, SWX2, SX2, SX4, SX7, SX9, SXE4, SXE5, SXS, SXS2, SXS4, TW24, TX4, VG24, VG29, VHA9, VHH4, VMS4, VSD, VSD2, VSD7, VSD9, VX4, VXE9, WKT4, WMBO	
9	93891-06020-07	SCREW-WASHER, 6X20	(3)	(3)	(3)	(3)	HHQ4, HX4, LHN4, LHQ4, LX4, QHG4, QHQ4, QHQU, QKA4, QMC6, QMC8, QMD6, QME4, QMP4, QNT, QNT4, QW24, QWA4, QWW2, QX4, QX7, QX9, QXE4, QXE5, QXW, QXWE, RHG4, RHQ4, RX4, S1CY, SG22, SG24, SHQ4, SHQU, SMC7, SMC9, SWG4, SWX2, SX2, SX4, SX7, SX9, SXE4, SXE5, SXS, SXS2, SXS4, TW24, TX4, VG24, VG29, VHA9, VHH4, VMS4, VSD, VSD2, VSD7, VSD9, VX4, VXE9, WKT4, WMBO	
10	94103-05700	WASHER, PLAIN, 5MM	(3)	(3)	(3)	(3)	HHQ4, HX4, LHN4, LHQ4, LX4, QHG4, QHQ4, QHQU, QKA4, QMC6, QMC8, QMD6, QME4, QMP4, QNT, QNT4, QW24, QWA4, QWW2, QX4, QX7, QX9, QXE4, QXE5, QXW, QXWE, RHG4, RHQ4, RX4, S1CY, SG22, SG24, SHQ4, SHQU, SMC7, SMC9, SWG4, SWX2, SX2, SX4, SX7, SX9, SXE4, SXE5, SXS, SXS2, SXS4, TW24, TX4, VG24, VG29, VHA9, VHH4, VMS4, VSD, VSD2, VSD7, VSD9, VX4, VXE9, WKT4, WMBO	

PART NO. INDEX

L 1

Part Number	Address	Page	Ref.	Part Number	Address	Page	Ref.	Part Number	Address	Page	Ref.	Part Number	Address	Page	Ref.	Part Number	Address	Page	Ref.
06000				13013-Z4M-003	E13	52	1	14100-Z0T-880	F3	58	2		G15	86	2	16166-Z4M-T31	G15	86	11
06164-ZE1-000	G14	85	32		E14	53	1	14100-Z0V-820	F3	58	2		H1	88	2	16166-ZH8-800	H1	88	10
				13013-ZL0-003	E14	53	1	14100-Z0V-880	F3	58	2	16013-Z0S-B01	G2	73	3	16166-ZH8-E80	G15	86	11
				13013-ZL0-004	E14	53	1	14100-Z1T-810	F3	58	2		G5	76	3	16166-ZH8-W00	G8	79	12
11000				13101-Z0T-810	E16	55	2	14100-Z4M-000	F3	58	2		G15	86	3	16166-ZH8-W50	G2	73	11
				13101-Z4M-800	F2	57	2	14100-Z4M-800	F3	58	2		H1	88	3		G8	79	12
11300-Z4M-000	E9	48	2	13101-ZH8-020	E16	55	2	14100-Z4M-820	F3	58	2	16013-ZE0-005	G2	73	3	16166-ZH8-W60	G2	73	11
11300-Z4M-630	E9	48	2		F1	56	2	14100-Z4M-870	F3	58	2	16015-Z4M-911	G2	73	4		G8	79	12
11300-Z4M-640	E9	48	2	13102-Z0T-810	E16	55	2	14100-ZE1-812	F3	58	2		G5	76	4	16173-001-004	G8	79	13
11300-ZE1-020	E9	48	2	13102-ZH8-020	E16	55	2	14100-ZF1-010	F3	58	2		G15	86	4		H1	88	11
11300-ZE1-613	E9	48	1		F1	56	2	14100-ZH8-800	F3	58	2	16015-ZE0-831	G2	73	4		K4	139	3
11300-ZE1-634	E9	48	2	13103-Z0T-810	E16	55	2	14100-ZL0-000	F3	58	2		G5	76	4	16210-Z4M-800	G8	79	14
11300-ZE1-642	E9	48	2	13103-ZH8-010	E16	55	2	14100-ZL0-870	F3	58	2		G15	86	4	16211-Z1T-000	G8	79	14
11381-ZH8-801	E10	49	3	13103-ZH8-020	E16	55	2	14410-Z4M-000	F3	58	3		H1	88	4	16211-Z4M-000	G2	73	12
11381-ZL0-000	E10	49	3		F1	56	2	14410-ZE1-010	F3	58	3	16016-ZH7-W01	G2	73	5		G8	79	14
11500-ZE1-611	J9	128	1	13104-Z0T-810	F1	56	2	14411-ZE1-611	J9	128	3		G6	77	6		G16	87	12
11521-ZH8-800	J9	128	2	13104-ZH8-010	E16	55	2	14431-ZE1-000	F4	59	4		G15	86	5	16211-ZE1-000	G2	73	12
				13104-ZH8-020	E16	55	2	14441-ZE1-010	F4	59	5		H1	88	5		G8	79	14
12000					F2	57	2	14451-ZE1-013	F4	59	6	16016-ZH8-W01	G6	77	6		G15	86	12
				13111-Z4M-000	F2	57	3	14568-ZE1-000	F4	59	7	16024-Z5T-901	G2	73	6		H1	88	12
12000-Z0T-405	E5	44	1	13111-ZE1-000	F2	57	3	14711-Z4M-000	F4	59	8		G6	77	7	16212-ZH8-800	G2	73	13
12000-Z0T-406	E5	44	1	13200-Z0T-800	F2	57	4	14711-ZF1-000	F4	59	8		G15	86	6		G9	80	15
12000-Z4M-405	E5	44	1	13200-Z4M-000	F2	57	4	14721-Z4M-000	F5	60	9	16024-ZE1-811	G2	73	6		G16	87	13
12000-Z4M-406	E5	44	1	13310-Z0T-640	E12	51	13	14721-Z4M-810	F5	60	9		G6	77	7		H1	88	13
12204-ZE1-306	E1	40	1	13310-Z0T-680	E12	51	9	14721-ZF1-000	F4	59	9		G15	86	6	16215-MV4-000	G14	85	41
12205-ZE1-315	E1	40	2	13310-Z0T-800	E11	50	2	14721-ZH8-810	F4	59	9	16028-Z5T-901	H1	88	6	16220-ZE1-020	G2	73	14
12209-Z4M-801	F3	58	1	13310-Z0T-830	E11	50	3	14751-ZF1-000	F5	60	10		G2	73	7		G9	80	16
12209-ZH8-003	F3	58	1	13310-Z0T-840	E11	50	4	14751-ZH8-940	F5	60	10		G6	77	8		H1	88	14
12210-Z4M-405	E1	40	3	13310-Z0T-850	E11	50	5	14771-ZE1-000	F5	60	11		G15	86	7	16221-ZH8-801	G2	73	15
12210-ZH8-415	E1	40	3	13310-Z0T-860	E11	50	6		F6	61	12	16028-ZE0-005	G2	73	7		G10	81	17
12216-ZE5-300	E1	40	4	13310-Z0T-870	E12	51	10	14773-Z4X-000	F5	60	12		G6	77	8		G16	87	14
12251-Z0T-801	E1	40	5	13310-Z0T-880	E11	50	7	14773-ZE1-000	F6	61	12		G15	86	7		H1	88	15
12251-ZF1-800	E1	40	5	13310-Z0T-900	E11	50	2	14781-ZE1-000	F6	61	13		H1	88	7	16269-ZE1-800	G16	87	15
12251-ZL0-003	E1	40	5	13310-Z0T-950	E11	50	5	14791-Z4M-000	F6	61	14	16044-Z4M-911	G2	73	8	16271-ZE1-000	H3	90	1
12310-Z4M-000	E2	41	6	13310-Z0T-980	E11	50	7	14791-ZE1-010	F6	61	14		G6	77	9		H8	95	1
12310-ZE1-020	E2	41	6	13310-Z4M-610	E11	50	1					G2	73	8		H10	97	1	
12310-ZE1-842	E2	41	6	13310-Z4M-620	E12	51	11	15000				G6	77	9	16500-Z4M-000	I16	119	2	
12391-ZE1-000	E2	41	7	13310-Z4M-640	E12	51	13					G15	86	8	16500-Z4M-810	I16	119	3	
				13310-Z4M-680	E12	51	9	15510-ZE1-033	E5	44	2	16080-898-631	K4	139	1	16500-Z4M-820	I16	119	4
13000				13310-Z4M-800	E11	50	2	15510-ZE1-043	E5	44	2	16081-471-831	K4	139	2	16500-Z4M-890	J6	125	31
				13310-Z4M-830	E11	50	3	15600-Z0T-810	E10	49	4	16100-Z0T-911	G7	78	10	16500-Z4M-U40	I16	119	1
13010-Z0T-801	E14	53	1	13310-Z4M-840	E11	50	4	15600-Z0T-820	E10	49	5	16100-Z0T-921	G7	78	10	16500-ZH8-030	I16	119	2
13010-Z4K-004	E13	52	1	13310-Z4M-850	E11	50	5	15600-ZG4-003	E10	49	5	16100-Z0T-931	G2	73	9	16500-ZH8-813	I16	119	3
	E14	53	1	13310-Z4M-860	E11	50	6	15600-ZH7-000	J10	129	1	16100-Z0T-T41	G15	86	9	16500-ZH8-823	I16	119	4
13010-Z4M-003	E13	52	1	13310-Z4M-870	E12	51	10	15625-Z0T-800	E10	49	6	16100-Z4M-911	G7	78	10	16500-ZH8-853	I16	119	3
	E14	53	1	13310-Z4M-880	E11	50	7					G7	78	10	16500-ZH8-883	I16	119	2	
13011-Z0T-801	E14	53	1	13310-Z4M-900	E11	50	2	15625-ZE1-003	E10	49	11	16100-Z4M-931	G2	73	9	16500-ZH8-893	I16	119	3
13011-Z4K-004	E13	52	1	13310-Z4M-950	E11	50	5	15721-883-030	E2	41	9	16100-Z4M-T41	G15	86	9	16500-ZH8-U43	I16	119	1
	E15	54	1	13310-Z4M-980	E12	51	7	15721-ZE1-840	E2	41	8	16100-Z4M-T51	G15	86	9	16500-ZK8-020	I16	119	2
13011-Z4M-003	E13	52	1	13310-Z4X-620	E12	51	11	15721-ZH8-000	E2	41	8	16100-Z4X-821	H1	88	8	16500-ZK8-912	I16	119	1
	E15	54	1	13310-ZB2-000	E12	51	9					G7	78	10	16506-ZL0-000	E8	47	20	
13012-Z0T-801	E14	53	1	13310-ZE1-610	E11	50	1	16000				G2	73	9	16510-Z4M-000	E6	45	3	
13012-Z4K-004	E13	52	1	13310-ZE1-622	E12	51	11					G2	73	10	16510-ZE1-000	E6	45	3	
	E15	54	1	13310-ZE1-660	E11	50	3	16010-ZB1-015	G15	86	1	16010-ZE0-025	G2	73	1	16511-Z4M-000	E6	45	4
13012-Z4M-003	E13	52	1	13331-357-000	I6	109	1	16010-ZE1-812	G4	75	1	16010-ZE1-812	G4	75	1	16511-ZE1-000	E6	45	4
	E16	55	1									H1	88	9	16512-Z4M-000	E6	45	5	
13013-Z0T-801	E14	53	1	14000								H1	88	1	16512-ZE1-000	E6	45	5	
13013-Z4K-004	E13	52	1					16011-ZE0-005	G2	73	2	16166-Z4M-911	G8	79	12	16513-ZE1-000	E6	45	6
	E16	55	1	14100-Z0T-820	F3	58	2		G4	75	2	16166-Z4M-921	G2	73	11	16531-Z4M-000	E6	45	7

3

PART NO. INDEX

L 2

Part Number	Address	Page	Ref.	Part Number	Address	Page	Ref.	Part Number	Address	Page	Ref.	Part Number	Address	Page	Ref.
16531-ZE1-000	E6	45	7		H1	88	18	17410-ZE1-020	H4	91	9	18325-ZB2-000	H15	102	9
16541-Z4M-000	E6	45	8	16955-ZE1-000	H16	103	2		H7	94	6	18325-ZE1-010	H12	99	4
16541-ZE1-000	E6	45	8	16955-ZE1-010	H16	103	2		H8	95	8	18325-ZH8-T90	H15	102	9
16551-Z4M-000	J1	120	5		I1	104	2	17410-ZE1-840	H10	97	9	18329-ZB2-000	H15	102	10
16551-ZE0-010	J1	120	5	16956-ZE1-811	G3	74	19	17421-ZE1-000	H7	94	7	18330-ZB2-000	H15	102	2
16551-ZL0-000	J1	120	6		G10	81	22		H8	95	9	18330-ZH8-T90	H15	102	2
16555-Z4M-000	J1	120	7		H1	88	19	17470-ZE1-842	H10	97	10	18331-883-810	H12	99	6
16555-ZE1-000	J1	120	7	16957-ZE1-812	G3	74	20	17475-ZE1-841	H10	97	11	18333-ZB4-801	K4	139	13
16561-Z4M-000	J1	120	8		G11	82	23	17476-ZE1-841	H10	97	12	18338-ZB3-E30	H15	102	11
16561-ZE1-020	J1	120	8		H1	88	20	17478-ZE1-841	H10	97	13	18340-ZE1-010	H12	99	6
16561-ZL0-000	J1	120	8	16958-397-771	K4	139	9	17505-ZB2-003	K4	139	12	18355-898-630	H15	102	3
	K4	139	4	16959-471-831	K4	139	10	17510-Z0T-000ZA	I1	104	3	18355-ZE1-000	H12	99	7
16561-ZL0-U30	J1	120	8	16959-Z5T-901	G14	85	43	17510-Z0T-000ZB	I1	104	3	18355-ZE1-810	H12	99	7
16562-Z4M-000	J1	120	9	16967-GA6-671	K4	139	11	17510-Z0T-000ZC	I1	104	3		K4	139	14
16562-ZE1-020	J1	120	9	16967-ZE0-811	G11	82	24	17510-Z0T-010ZA	I1	104	3	18355-ZL0-000	H12	99	7
16570-ZB2-000	J2	121	10		H1	88	21		I2	105	3	18361-ZL0-000	H12	99	8
16570-ZE1-714	I16	119	3					17510-Z0T-010ZB	I1	104	3	18381-Z0T-801	H12	99	9
16570-ZK8-U30	J2	121	10	17000				17510-Z0T-010ZC	I1	104	3		H13	100	9
16571-Z4M-000	J2	121	11						I2	105	3		H15	102	5
16571-ZH8-020	J2	121	11	17210-ZE1-822	H3	90	2	17510-Z4M-000ZA	I5	108	15	18381-Z0T-811	H15	102	4
16574-ZE1-000	J2	121	12		H10	97	2	17510-Z4M-000ZB	I5	108	15	18381-ZE1-800	H15	102	4
16575-ZH8-000	J2	121	13	17211-ZB2-000	H9	96	1	17620-899-013	I2	105	4	18381-ZH8-800	H12	99	9
16576-891-000	J2	121	14	17211-ZE1-000	H7	94	1	17620-Z0T-813	I2	105	4		H15	102	5
16578-ZE1-000	J2	121	15	17212-ZB2-000	H9	96	2	17620-Z4H-000	I4	107	13		K4	139	15
16580-Z4M-000	J3	122	16	17212-ZB2-800	H9	96	2	17620-Z4H-010	I4	107	13	18431-ZH8-W50	H13	100	10
16580-Z4M-810	J3	122	16	17212-ZE1-000	H7	94	2	17620-Z4H-020	I4	107	13	18433-ZH8-W40	K6	141	2
16580-ZH8-030	J3	122	16	17218-ZE1-821	H3	90	3	17620-Z4M-000	I4	107	13	18434-ZH8-W40	K6	141	3
16580-ZH8-813	J3	122	16		H10	97	3	17631-899-000	I2	105	5		K6	141	4
16580-ZH8-853	J3	122	16	17219-733-010	H10	97	4	17631-Z0T-801	I2	105	5	18466-ZH8-W40	K6	141	5
16582-883-300	G14	85	33	17220-ZB2-000	H9	96	3	17631-Z4H-800	I2	105	5	18522-ZE1-000	H13	100	11
16584-883-300	G1	72	19	17220-ZB2-800	H9	96	10	17670-899-000	I2	105	6				
	J3	122	17	17230-ZE1-820	H4	91	4	17672-Z4H-000	I5	108	14	19000			
	J4	123	18	17230-ZE1-841	H10	97	5	17672-ZE2-W01	I2	105	6				
16592-ZE1-810	J4	123	18	17231-Z4M-000	H4	91	4					19511-ZE1-000	I6	109	2
16594-883-010	J4	123	19	17231-Z4M-000	H4	91	4	18000				19610-Z4M-000ZA	F14	69	1
16598-ZE1-000	G14	85	34	17231-ZB2-000	H9	96	4					19610-Z4M-000ZB	F14	69	1
16599-ZG1-M10	J4	123	20	17231-ZE1-000	H7	94	3	18310-Z4M-000	H12	99	1	19610-Z4M-600ZA	F14	69	1
16610-ZB2-000	G16	87	16	17232-891-000	H4	91	5	18310-Z4M-810	H11	98	1	19610-Z4M-810ZA	F14	69	2
16610-ZE1-000	G2	73	16		H10	97	6		H12	99	1	19610-Z4M-820ZB	G1	72	22
	G10	81	18	17232-898-000	H9	96	11	18310-Z4M-T30	H12	99	1	19610-Z4M-830ZB	F14	69	3
	H1	88	16	17233-896-701	K6	141	1	18310-Z4M-V50	H14	101	21	19610-Z4M-830ZC	F14	69	3
16610-ZE1-810	G14	85	35	17235-Z4M-830	H4	91	6	18310-Z4M-V90	H14	101	21	19610-ZE1-000ZC	F13	68	1
16615-ZE1-010	G14	85	36	17235-Z4M-860	H4	91	6	18310-Z4V-000	H14	101	21	19610-ZE1-000ZG	F13	68	1
16617-890-010	G14	85	37	17235-ZE1-831	H4	91	6	18310-Z4V-800	H14	101	21	19610-ZE1-000ZP	F13	68	1
16854-ZG0-960	G10	81	19	17235-ZE1-860	H4	91	6	18310-Z8K-870	H11	98	1	19610-ZE1-010ZC	F13	68	1
16854-ZH8-000	G10	81	19	17238-ZE7-010	H4	91	7	18310-ZB3-C00	H15	102	1	19610-ZE1-010ZG	F13	68	1
	G16	87	17		H7	94	4	18310-ZE1-821	H11	98	1		F14	69	1
	H16	103	1		H8	95	2	18310-ZF1-000	H11	98	1	19610-ZE1-010ZP	F13	68	1
16854-ZH8-810	G16	87	17		H10	97	7	18310-ZH7-V90	H14	101	21	19610-ZE1-810ZB	F14	69	2
	H16	103	1	17239-733-000	H10	97	8	18310-ZH8-810	H11	98	1	19610-ZE1-811ZB	F14	69	2
16910-GB2-005	G16	87	18	17239-ZB2-000	H9	96	5	18310-ZH8-T30	H11	98	1	19610-ZE1-811ZG	F14	69	2
16950-898-633	K4	139	5	17239-ZE1-000	H4	91	8	18315-ZE1-000	H12	99	2	19610-ZE1-821ZG	G1	72	22
16950-ZB4-015	K4	139	6		H7	94	5	18320-Z4V-000	H12	99	3	19610-ZE1-830ZA	F14	69	3
16952-GG2-731	K4	139	7		H8	95	3	18320-ZB2-000	H15	102	8	19610-ZE1-830ZG	F14	69	3
16952-ZB4-005	K4	139	8	17252-ZB2-000	H9	96	6	18320-ZF1-H01	H12	99	3	19610-ZE1-831ZA	F14	69	3
16953-ZE1-812	G3	74	17	17401-ZE1-810	H8	95	4	18320-ZF1-H02	H12	99	3	19611-Z4M-810	F14	69	4
	G10	81	20	17402-ZE1-810	H8	95	5	18320-ZF1-H51	H12	99	3	19611-Z4M-820	F14	69	4
	H1	88	17	17403-ZE1-810	H8	95	6								
16954-ZE1-812	G3	74	18	17404-841-000	H8	95	7								
	G10	81	21	17410-Z4M-000	H5	92	9								

PART NO. INDEX

L 3

Part Number	Address	Page	Ref.	Part Number	Address	Page	Ref.	Part Number	Address	Page	Ref.	Part Number	Address	Page	Ref.
28400-ZH8-033ZG	F8	63	1	31204-ZE1-013	I11	114	1	31615-ZE1-003ZG	J7	126	4	50000			
28400-ZH8-823ZC	F8	63	1		I14	117	2	31630-ZE1-013	I9	112	7	87539-Z4M-800	K2	137	22
28400-ZH8-824ZC	F8	63	1	31206-KN7-670	I11	114	2	31630-ZF1-801	I10	113	13	87539-Z4M-810	K2	137	25
28410-Z4M-003ZB	F8	63	2		I14	117	3	31630-ZH8-W01	I9	112	8	87539-ZB2-630	K2	137	26
28410-Z4M-003ZD	F8	63	2	31206-Z4M-003	I11	114	2	31700-124-008	J7	126	5	87549-YG0-710	K2	137	27
28410-ZB2-C02ZA	K3	138	2	31210-Z4M-003	I11	114	3					87594-ZB4-A00	K2	137	28
28410-ZH8-003YA	F8	63	2	31210-ZE1-023	I11	114	3	32000				89000			
28410-ZH8-003ZB	F8	63	2	31210-ZE1-723	I14	117	4	68326-ZB2-000	K4	139	23	89000-ZE1-000	J16	135	3
28410-ZH8-003ZG	F8	63	2	31212-Z4M-003	I11	114	4	68327-ZB2-000	K4	139	24	89212-KWV-601	J16	135	5
28414-ZK8-V71	F12	67	14	31212-ZE1-003	I11	114	4	81000				89216-809-000	J16	135	4
28420-ZH8-013	K3	138	3		I14	117	5	32105-ZH8-V10	G1	72	23	89216-Z0T-800	J16	135	1
28421-Z0T-003	F9	64	3	31214-Z4M-003	I11	114	5	32110-ZB5-G30	K4	139	17	89218-ZE1-000	J16	135	4
28421-ZH8-801	F9	64	3	31214-ZE1-003	I11	114	5	32127-738-700	J7	126	6	89219-805-000	J16	135	2
28422-ZH8-013	K3	138	4		I14	117	6	32197-ZE1-003	J7	126	7				
28422-ZH8-801	F9	64	4	31215-Z4M-003	I11	114	6	32197-ZH8-003	F15	70	9	87000			
28431-ZH8-801	F10	65	5	31215-ZE1-003	I11	114	6	32343-892-003	K4	139	18	87135-ZE2-020	J13	132	1
28433-ZH8-003	K3	138	5		I14	117	7	32410-ZE1-000	I12	115	16	87516-Z4H-000	J13	132	2
28433-ZH8-801	F10	65	6	31216-Z4M-003	I11	114	7	32410-ZE1-010	I12	115	16	90001-Z4M-000	F2	57	5
28441-ZH8-003	K3	138	6	31216-ZE1-003	I11	114	7	32411-253-000	I12	115	18	90001-ZE1-000	F2	57	5
28441-ZH8-801	F10	65	7	31216-ZE1-731	I14	117	8		I14	117	18	90002-883-740	J12	131	6
28442-ZH8-003	F10	65	8	31217-Z4M-003	I11	114	8	32411-ZE1-000	I12	115	17	90002-Z0T-800	H13	100	12
	K3	138	7	31217-ZE1-013	I11	114	8		I14	117	19	90002-ZG0-003	H13	100	12
28443-ZH8-003	K3	138	8	31217-ZE1-722	I14	117	9	32902-892-003	J7	126	8	90003-ZE1-000	E12	51	15
28443-ZH8-801	F10	65	9	31220-Z4M-003	I11	114	9	34000				90003-ZH8-003	K3	138	11
28450-ZH8-801	I6	109	3	31220-ZE1-013	I11	114	9	87516-Z4H-800	K1	136	18	90003-ZH8-801	F12	67	12
28451-ZH8-003	I7	110	10	31220-ZE1-722	I14	117	10	87516-Z4H-801	K1	136	19	90004-ZH7-003	I2	105	7
28451-ZH8-801	I6	109	4	31221-Z4M-003	I12	115	10	87516-Z4H-810	J13	132	2	90008-ZE2-003	F12	67	13
28461-Z4M-003	F12	67	15	31221-ZE1-003	I12	115	10	87516-ZH7-810	J13	132	2	90010-Z4M-003	I12	115	19
28461-ZE1-013	K3	138	9		I14	117	11		J14	133	8	90010-ZE1-003	I12	115	19
28461-ZH8-003	F11	66	10	31222-Z4M-003	I12	115	11	87519-Z4H-000	J13	132	2	90012-Z4M-003	I12	115	20
28461-ZH8-013	F11	66	10	31222-ZE1-003	I12	115	11		J15	134	12	90012-ZE0-010	F6	61	15
28462-ZH8-003	F12	67	11		I14	117	12		K2	137	20	90012-ZE1-003	I12	115	20
	K3	138	10	31223-Z4M-003	I12	115	12	87521-Z4M-000	J14	133	3	90012-ZE1-721	I14	117	21
28462-ZH8-821	F12	67	11	31223-ZE1-003	I12	115	12		K1	136	15	90013-883-000	E2	41	10
28463-Z4M-003	F12	67	16		I14	117	13	87521-ZH8-030	J14	133	3		F16	71	15
				31224-Z4M-003	I12	115	13	87521-ZH8-040	J13	132	3	90015-883-000	I9	112	10
30000				31224-ZE1-003	I12	115	13		J14	133	3		J9	128	6
					I14	117	14	35100-ZE1-812	J8	127	10	90015-ZE5-010	J4	123	22
30500-Z0T-801	I8	111	1	31230-Z4M-003	I13	116	34	35100-ZH8-R90	J8	127	10	90016-ZE1-000	H13	100	13
30500-Z0T-802	I8	111	1	31230-ZE1-003	I12	115	14	35111-880-013	J8	127	11	90016-ZG9-N30	J4	123	23
30700-Z0T-811	I8	111	2		I14	117	15	35120-746-C21	K4	139	19	90017-883-000	I12	115	21
30700-ZF5-013	I9	112	2	31235-Z4M-003	I12	115	15	35120-Z0T-801	F16	71	11		I14	117	21
				31235-ZE1-013	I12	115	15	35120-Z0T-851	F16	71	12	90019-883-000	I9	112	11
31000					I14	117	16	35480-Z0T-003	E8	47	21	90022-888-010	F16	71	16
				31236-Z4M-003	I12	115	23	36000				90043-ZB2-003	E2	41	11
31100-ZE1-010	I6	109	5	31237-Z4M-003	I12	115	25	36100-ZH8-W82	F16	71	13	90043-ZE1-020	E2	41	11
31100-ZE1-811	I7	110	6	31510-ZE1-711	I9	112	3	36100-ZH8-W83	F16	71	13	90047-ZE1-000	E2	41	12
31100-ZE1-821	I7	110	7	31510-ZE1-811	I9	112	4	36101-ZB2-010	I9	112	9	90050-ZE1-000	H14	101	14
31100-ZE7-010	I6	109	5	31511-ZE1-000	I9	112	5	36101-ZE1-010	I9	112	9		K7	142	6
31100-ZH8-W03	I7	110	8	31512-ZE1-000	I9	112	6	36106-892-003	K4	139	20	90050-ZE3-H00	H14	101	14
31110-Z4M-000	I6	109	5	31600-ZE2-861	K4	139	16	36110-ZB2-003	K4	139	21	90050-ZH8-W40	K7	142	7
31110-Z4M-810	I7	110	6	31610-Z4S-821ZA	J7	126	1					90055-ZE1-000	H13	100	12
31110-Z4M-820	I7	110	7	31610-Z4T-841ZA	J7	126	1	38000					H14	101	15
31110-Z4M-830	I7	110	11	31610-Z4T-841ZB	J7	126	1	38240-VA3-900	J8	127	12				
31110-Z4M-840	I7	110	12	31610-Z4T-842ZA	J7	126	1	38250-ZA8-701	J8	127	13	87539-Z0J-800	K2	137	22
31110-ZL0-821	I7	110	7	31610-Z4T-842ZB	J7	126	1					87539-Z0J-810	K2	137	21
31110-ZL0-U52	I7	110	7	31612-ZE2-003	J7	126	2					87539-Z4M-000	J15	134	13
31200-ZL0-811	I14	117	1	31614-ZE2-003	J7	126	3						K2	137	21
31204-ZE1-003	I11	114	1	31615-ZE1-003ZA	J7	126	4								

3

PART NO. INDEX

L 4

Part Number	Address	Page	Ref.	Part Number	Address	Page	Ref.	Part Number	Address	Page	Ref.	Part Number	Address	Page	Ref.
90056-ZL0-000	H14	101	15	91000				93500-03012-OH	J8	127	20	95001-45140-40	I4	107	10
90071-MB0-000	I12	115	22					93500-04006-OH	J5	124	26	95001-45300-40	G12	83	27
	I14	117	23	91001-Z4X-003	E6	45	13	93500-04008-OA	G14	85	39	95001-45430-40	G16	87	22
90105-733-D61	K5	140	26		E12	51	16	93500-04012-OH	J8	127	21	95002-02070	G14	85	42
90114-SA0-000	J4	123	24	91001-ZF1-003	E6	45	13	93500-05008-OA	G14	85	40	95002-02080	G12	83	28
90115-459-770	H9	96	7		E12	51	16	93500-05016-OA	J5	124	27		G16	87	23
90115-GB4-700	I12	115	23	91001-ZF1-004	E6	45	13	93500-05020-OH	J6	125	28		I4	107	11
	I14	117	24		E12	51	16	93500-05025-OA	J6	125	28	95002-02100	H9	96	13
90121-952-000	I10	113	12	91201-Z0T-801	E6	45	14	93500-05025-OH	J6	125	28	95002-40800-08	G14	85	31
	I12	115	24		E10	49	7	93500-05032-OH	J6	125	28		G16	87	26
	I15	118	25		J9	128	11	93500-05035-OA	G1	72	21		I4	107	12
90131-883-000	J12	131	7		J12	131	8		J6	125	29	95002-80000	E4	43	16
90131-ZE1-000	E6	45	9	91202-Z2F-801	J10	129	21	93500-05040-0G	J6	125	29	95014-62100	K5	140	36
90201-Z0T-800	I7	110	9	91301-805-000	J10	129	22		K5	140	33	95701-06008-00	G1	72	18
90201-Z4M-003	I12	115	22	91301-Z4M-003	I12	115	28	93891-06020-07	K7	142	9	95701-06010-00	H9	96	9
90206-ZE1-000	F6	61	16	91301-ZE1-003	I12	115	28	93892-05014-08	I13	116	31		J8	127	25
90300-GB0-900	H10	97	14		I15	118	29		I15	118	32		K5	140	37
90300-Z1V-000	H6	93	13	91353-671-004	E7	46	15	93892-05020-08	I13	116	32	95701-06012-00	E8	47	19
90302-KF9-900	K7	142	8		I3	106	8		I15	118	33		H14	101	20
90325-044-000	H5	92	10	91402-Z4M-003	I13	116	29	94000				95701-06020-00	H15	102	13
	H6	93	13	91402-ZE6-003	I13	116	29						H6	93	12
	H7	94	8		I15	118	30	94001-04390-0S	J8	127	22		H7	94	10
	H8	95	10	91403-Z4M-003	I13	116	30	94001-08000-0S	H14	101	19		H8	95	12
	H10	97	15	91403-ZE6-003	I13	116	30		H15	102	7	95701-06055-00	H10	97	17
90380-MA6-010	J8	127	15		I15	118	31	94050-06000	H5	92	11	95701-08022-00	J11	130	28
90403-883-620	J10	129	18	91406-ZE2-003	J8	127	19		K5	140	34	95701-08032-00	E10	49	9
90413-Z0T-880	F6	61	17	91424-Z4F-801	I3	106	10		H7	94	9	95701-08032-08	J12	131	10
90451-ZE1-000	E6	45	10		I4	107	10		H8	95	11	95701-08035-00	J12	131	11
90456-ZE1-000	J9	128	7	91424-Z4F-802	I3	106	10		H10	97	16	95701-08060-00	E3	42	14
90470-ZE1-000	J9	128	8	91424-Z4G-811	G16	87	22		H15	102	12	95723-08060-00	E3	42	14
90471-ZE1-610	J9	128	9	91424-Z4G-812	G16	87	22		I3	106	9				
90473-842-000	E12	51	14	91424-Z4G-831	G16	87	21	94050-06080	J6	125	30	96000			
90502-187-701	I12	115	25	91424-Z4G-832	G16	87	21		K5	140	35	96100-62040-00	J12	131	12
	I15	118	26	91424-Z4J-811	G12	83	27	94050-10000	H9	96	8	96100-62050-00	E10	49	10
90503-898-000	K5	140	27	91424-Z4J-812	G12	83	27		E7	46	16		J9	128	14
90551-ZE1-000	F2	57	6	91424-Z4J-821	G16	87	22	94101-04800	J8	127	23		J11	130	30
90601-ZE1-000	E6	45	11	91424-Z4J-822	G16	87	22	94101-06800	E7	46	17	96100-62060-00	J11	130	31
90601-ZH7-013	F16	71	17	91424-Z4K-802	G16	87	22	94103-05700	K7	142	10	96100-63050-00	J12	131	13
90602-ZE1-000	E6	45	12	91424-Z4M-003	I4	107	10	94109-12000	J10	129	25				
90603-Z4M-003	I12	115	26	91424-Z5M-812	K5	140	40		J12	131	9				
90603-ZE1-003	I12	115	26	91551-898-000	K5	140	29	94111-04800	J8	127	24	98000			
	I15	118	27					94111-08800	J11	130	26	98079-55846	E4	43	15
90605-230-000	G14	85	38	92000				94251-08000	E7	46	18	98079-55855	E3	42	15
	J5	124	25					94301-08100	I13	116	33	98079-55876	E4	43	15
90630-751-000	G1	72	25	92101-08020-OA	H15	102	6		I15	118	34	98079-56846	E4	43	15
	J8	127	16		K5	140	30		J11	130	27	98079-56855	E3	42	15
90631-Z4M-801	I12	115	27	92101-08025-OA	E12	51	15	94301-08140	E10	49	8	98079-56876	E4	43	15
90631-ZE1-003	I12	115	27		J9	128	12		J9	128	13		K5	140	38
	I15	118	28		K5	140	31	94301-10160	E2	41	13	98200-30500	J8	127	26
90634-ZL8-H00	H9	96	12	92101-08035-OA	J10	129	23	94305-20122	G3	74	22	98200-31500	J8	127	26
90682-ZE1-000	J8	127	17	92800-12000	J10	129	24		G12	83	26				
90690-SA0-003	J8	127	18	92900-08025-OE	E2	41	12		G16	87	20				
90741-883-621	J10	129	19						H1	88	23	99000			
90741-883-810	E12	51	8	93000				95000				99001-10120	J16	135	5
	J9	128	10									99001-14170	J16	135	6
90741-889-810	J10	129	20	93500-03006-OH	K5	140	32	95001-45035-40	G16	87	21	99004-21001	K5	140	39
90745-ZE1-600	E12	51	8	93500-03006-1H	G3	74	21	95001-45110-40	G16	87	22	99008-02300	J16	135	7
90851-898-000	K5	140	28		G12	83	25								
90854-ZB3-000	G16	87	19		H1	88	22								

PART NAME INDEX

M 1

Part name	Address	Page	Ref.	Part name	Address	Page	Ref.	Part name	Address	Page	Ref.
[A]											
ALERT UNIT, OIL	F15	70	10	BOLT, FLANGE, 6X25	I12	115	24	CASE COMP., AIR CLEANER	H9	96	3
	F16	71	10		I15	118	25				10
	G1	72	24	BOLT, FLANGE, 6X28	I9	112	10	CASE COMP., RECOIL STARTER	F8	63	2
	J7	126	9		J9	128	6		K3	138	2
	J8	127	9	BOLT, FLANGE, 6X29	I2	105	7	CASE, CONTROL	J7	126	2
ARM, GOVERNOR	J1	120	5	BOLT, FLANGE, 6X32	I12	115	21	CASE, PRE AIR CLEANER	H10	97	10
					I14	117	22	CASE, REDUCTION	J10	129	2
ARM, VALVE ROCKER	F4	59	4	BOLT, FLANGE, 6X55	J11	130	28		J12	131	1
ARRESTER, SPARK	H12	99	7	BOLT, FLANGE, 6X8	G1	72	18	CENTER, CLUTCH	J10	129	6
	H15	102	3	BOLT, FLANGE, 8X22	J11	130	29	CENTER, CLUTCH WEIGHT	J10	129	14
	K4	139	14	BOLT, FLANGE, 8X32	E10	49	9	CHAIN, DRIVE	J10	129	16
					J12	131	10	CHAIN, P.T.O. DRIVE	J9	128	3
				BOLT, FLANGE, 8X35	J12	131	11	CHAMBER SET, FLOAT	G2	73	4
				BOLT, FLANGE, 8X60	E3	42	14		G5	76	4
				BOLT, GOVERNOR ARM	J4	123	22		G15	86	4
				BOLT, HEX., 5/16"	E12	51	15		H1	88	4
				BOLT, HEX., 8X20	H15	102	6	CHOKE KIT, REMOTE CONTROL	G14	85	32
					K5	140	30	CHOKE SET	G2	73	8
				BOLT, HEX., 8X25	E12	51	15		G6	77	9
					J9	128	12		G15	86	8
				BOLT, HEX., 8X35	K5	140	31	CIRCLIP, 10.2MM	I12	115	26
BAG, TOOL, 230MM	J16	135	7	BOLT, MUDGUARD	H10	97	14		I15	118	27
BAND	J7	126	8	BOLT, PIVOT, 8MM	F6	61	15	CIRCLIP, 5MM	G14	85	38
BAND B1, WIRE	K5	140	36	BOLT, SETTING	I12	115	20		J5	124	25
BARREL ASSY., CYLINDER	E5	44	1		I14	117	21	CLAMPER, CORD	I9	112	5
BASE COMP., CONTROL	J3	122	16	BOLT, STUD, 6X112	E2	41	11	CLAMP, CORD	F14	69	7
BASE COMP., MUFFLER COVER	K6	141	4	BOLT, STUD, 6X94	E2	41	11	CLAMP, TUBE	G14	85	31
BEARING, RADIAL BALL	E6	45	13	BOLT, STUD, 8X25	E2	41	12		G16	87	26
	E12	51	16	BOLT, STUD, 8X32	E2	41	12		I4	107	12
BEARING, RADIAL BALL, 6204 ...	J12	131	12	BOLT, WINKER SETTING	H9	96	7	CLIP, CORD	J8	127	17
BEARING, RADIAL BALL, 6205 ...	E6	45	13	BOX ASSY., CONTROL	J7	126	1	CLIP, GOVERNOR HOLDER	E6	45	12
	E10	49	10	BRACKET COMP., FR.	I12	115	15	CLIP, HARNESS	F16	71	17
	E12	51	16	BRACKET, CASE MOUNTING	J7	126	3	CLIP, PISTON PIN, 18MM	F2	57	6
	J9	128	14	BUSH, CONTROL KNOB	K4	139	20	CLIP, PURSE LOCK	G1	72	25
	J11	130	30						J8	127	16
BEARING, RADIAL BALL, 6206 ...	J11	130	31					CLIP, TUBE	E4	43	16
BEARING, RADIAL BALL, 6305 ...	J12	131	13						G12	83	28
BODY, CLEANER	H8	95	4						G14	85	42
BOLT, 3X12	K5	140	26						G16	87	23
BOLT, BREATHING	J12	131	6						H9	96	13
BOLT, CONNECTING ROD	F2	57	5						I4	107	11
BOLT, CONNECTING ROD, 6X34.5 ..	F2	57	5	CABLE, DOUBLE CONNECTOR	G1	72	23	CLIP, VALVE GUIDE	E1	40	4
BOLT, DRAIN PLUG	E6	45	9	CAMSHAFT ASSY.	F3	58	2	COCK ASSY., FUEL	K4	139	5
BOLT, DRAIN PLUG, 12MM	J10	129	24	CAP ASSY., NOISE SUPPRESSOR ...	I8	111	2				6
BOLT, DRAIN PLUG, 12X15	J12	131	7		I9	112	2	COIL ASSY., CHARGE	I9	112	7
BOLT, FLANGE, 5X10	I9	112	11	CAP ASSY., OIL FILLER	E10	49	4				8
BOLT, FLANGE, 6X10	F12	67	13						I10	113	13
	H9	96	9	CAP COMP., FUEL FILLER	I2	105	4	COIL ASSY., IGNITION	I8	111	1
	J8	127	25		I4	107	13	COIL ASSY., LAMP	I9	112	3
	K3	138	12	CAP, BOOST	G14	85	41				4
	K5	140	37	CAP, CLEANER	H7	94	7	COLLAR B, AIR CLEANER	H4	91	8
BOLT, FLANGE, 6X12	E2	41	10	CAP, MUFFLER	H12	99	6		H7	94	5
	E8	47	19	CAP, PRE AIR CLEANER	H10	97	11		H8	95	3
	F16	71	15	CAP, SEALING	H9	96	12	COLLAR, AIR CLEANER	H10	97	8
	H14	101	20	CARBURETOR ASSY.	G2	73	9		H4	91	7
	H15	102	13		G7	78	10		H7	94	4
	J4	123	21		G15	86	9		H8	95	2
BOLT, FLANGE, 6X13	H13	100	13		H1	88	8	COLLAR, AIR CLEANER CASE	H10	97	7
BOLT, FLANGE, 6X20	F16	71	16	CASE B, STARTER	F12	67	14		K6	141	1
	H6	93	12								
	H7	94	10								
	H8	95	12								
	H10	97	17								
BOLT, FLANGE, 6X25	I10	113	12								



PART NAME INDEX

M 2

Part name	Address	Page	Ref.	Part name	Address	Page	Ref.	Part name	Address	Page	Ref.
COLLAR, STOPPER	J4	123	20	DOWEL PIN, 8X10	I13	116	33	GEAR ASSY.	I13	116	34
COLLAR, TANK CUSHION	K5	140	29		I15	118	34		I14	117	15
CONTROL ASSY.	I16	119	1		J11	130	27	GOVERNOR ASSY.	E6	45	3
			2	DOWEL PIN, 8X14	E10	49	8		E8	47	20
			3		J9	128	13	GRID, AIR CLEANER	H7	94	2
			4						H8	95	7
	J2	121	10	[E]				GRIP, STARTER	F11	66	10
	J6	125	31	ELBOW COMP., AIR CLEANER	H4	91	9	GROMMET, AIR CLEANER	H4	91	5
CORD, MAGNET SWITCH	I12	115	16		H5	92	9		H9	96	11
	I14	117	17		H7	94	6	GROMMET, CORD	H10	97	6
CORD, STOP SWITCH	I9	112	9		H8	95	8	GROMMET, DRAIN HOLE	I9	112	6
COVER ASSY., CHAIN CASE	J9	128	1		H8	95	8	GROMMET, EX. VALVE	F16	71	14
COVER ASSY., CRANKCASE	E9	48	1	ELEMENT, AIR CLEANER	H10	97	9	GUIDE, IN. VALVE	E1	40	1
			2		H3	90	2	GUIDE, MUFFLER	E1	40	1
COVER COMP., FAN	F13	68	1		H7	94	1	GUIDE, MUFFLER	H13	100	11
	F14	69	1		H8	95	6	GUIDE, PRE AIR CLEANER	H10	97	12
			2		H9	96	1	GUIDE, RATCHET	F10	65	6
			3		H10	97	2		K3	138	5
	G1	72	22	EMBLEM	J13	132	3	[H]			
COVER COMP., GEAR	I11	114	4		J14	133	3	HANDLE, BOX WRENCH	J16	135	2
	I14	117	5		K1	136	3	HARNESS ASSY., SUB WIRE	K4	139	17
COVER COMP., HEAD	E2	41	6				15	HARNESS, SUB WIRE	J7	126	7
COVER COMP., MUFFLER	K6	141	2	[F]				HEAD COMP., CYLINDER	E1	40	3
COVER COMP., RR. MUFFLER	K6	141	3	FAN, COOLING	I6	109	2	HOLDER, CABLE	G14	85	37
COVER, AIR CLEANER	H4	91	4		I2	105	6		J2	121	14
	H7	94	3	FILTER COMP., FUEL	I2	105	6	HOLDER, CLUTCH SPRING	J10	129	11
	H9	96	4		G14	85	43	HOLDER, CLUTCH WEIGHT	J10	129	13
	H10	97	5	FILTER, CUP	K4	139	10	HOLDER, CONTROL CABLE	G14	85	33
COVER, MAGNETIC SWITCH	I12	115	17		I2	105	6	HOLDER, GOVERNOR WEIGHT	E6	45	5
	I14	117	19	FILTER, FUEL	I5	108	14	HOLDER, HARNESS	I12	115	27
COVER, REDUCTION	J10	129	4		I3	90	3		I15	118	28
	J12	131	3	FILTER, OUTER	H3	90	3	HOLDER, WIRE	J4	123	19
COVER, SPRING	I12	115	13		H10	97	3	[I]			
	I14	117	14	FLOAT SET	G2	73	3	INSULATOR COMP., CARBURETOR ...	G8	79	14
COVER, STARTER MOTOR TERMINAL	I12	115	18		G5	76	3	INSULATOR, CARBURETOR	G2	73	12
	I14	117	18		G15	86	3		G8	79	14
CRANKSHAFT COMP.	E11	50	1		H1	88	3		G15	86	12
			2	FLYWHEEL COMP.	I6	109	5		G16	87	12
			3		I7	110	6		H1	88	12
			4					[J]			
			5					JET SET, PILOT, #35	G3	74	24
			6						G14	85	30
			7						G16	87	25
			8					JET SET, PILOT, #38	H2	89	25
			9	FUSE, BLADE	J8	127	26	JET SET, PILOT, #40	G14	85	30
	E12	51	7					JET, MAIN, #62	G3	74	23
			10	[G]					G12	83	29
			11	GASKET SET	G2	73	1		G13	84	29
			12		G4	75	1	JET, MAIN, #65	H1	88	24
			13		G15	86	1		G3	74	23
CUP, FUEL STRAINER	G11	82	24		H1	88	1		G12	83	29
	H1	88	21	GASKET, CYLINDER HEAD	E1	40	5		H1	88	24
	K4	139	2	GASKET, EX. PIPE	K4	139	13		G12	83	29
			11	GASKET, MUFFLER	H12	99	9		G13	84	29
[D]					H13	100	9		H1	88	24
DEFLECTOR COMP.	H12	99	6		H15	102	4		G3	74	23
DEFLECTOR, MUFFLER	H13	100	10						G12	83	29
DISK, CLUTCH FRICTION	J10	129	7						G13	84	29
DOWEL PIN, 10X16	E2	41	13	GEAR ASSY.	I12	115	14		H1	88	24

PART NAME INDEX

M 3

Part name	Address	Page	Ref.	Part name	Address	Page	Ref.	Part name	Address	Page	Ref.
JET, MAIN, #68	G3	74	23	MARK, EX. CAUTION	K2	137	25	[0]			
	G12	83	29				26				
	G13	84	29	MARK, OIL CAUTION	K2	137	28	OIL SEAL, 25X41X6	E6	45	14
	H2	89	24	MARK, OPERATOR CAUTION	J13	132	2		E10	49	7
JET, MAIN, #70	G3	74	23		J14	133	8		J9	128	11
	G12	83	29		J15	134	12		J12	131	8
	G13	84	29		K1	136	18	OIL SEAL, 30X50X7	J10	129	21
	G16	87	24				19	O-RING	I11	114	2
JET, MAIN, #72	G16	87	24		K2	137	19		I12	115	28
JET, MAIN, #75	G16	87	24	MARK, THROTTLE INDICATION	J14	133	5		I14	117	3
JOINT, FUEL TANK	H16	103	2		K1	136	11	O-RING, 14MM	E7	46	15
	I1	104	2	METER ASSY., FUEL	K4	139	12		I3	106	8
[K]				MOTOR ASSY., STARTER	I14	117	1	O-RING, 26X2.7	J10	129	22
KEY COMP.	J8	127	11	MOTOR ONLY	I11	114	9	O-RING, 9.0X1.3	K4	139	9
KEY, 4.78X4.78X38	E12	51	8		I14	117	10				
KEY, 5MM	J10	129	19	MOTOR UNIT, STARTER	I11	114	3	[P]			
KEY, 5X5X33	E12	51	8		I14	117	4	PACKING SET, COCK	K4	139	1
	J9	128	10	MOTOR UNIT, STARTING	I11	114	3	PACKING, AIR CLEANER	G16	87	15
KEY, 7X7X33	J10	129	20	MUFFLER COMP.	H11	98	1	PACKING, AIR CLEANER COVER	H10	97	4
KEY, SPECIAL WOODRUFF, 25X18	I6	109	1		H12	99	1	PACKING, CARBURETOR	G2	73	15
KNOB, COCK LEVER	K4	139	18		H14	101	21		G10	81	17
KNOB, RECOIL STARTER	F12	67	15	[N]	H15	102	1		G16	87	14
	K3	138	9	NETTING, WIRE FLANGE	H12	99	8	PACKING, CASE COVER	H1	88	15
KNOB, REINFORCEMENT	F12	67	16		H4	91	6	PACKING, CHAIN CASE COVER	E10	49	3
[L]				NOSE, SILENCER	G2	73	11	PACKING, ELBOW	J9	128	2
LABEL, AIR CLEANER CAUTION	J14	133	9	NOZZLE, MAIN	G8	79	12		H3	90	1
LABEL, E-SPEC	J13	132	1		G15	86	11	PACKING, FUEL COCK	H8	95	1
LABEL, SPARK WARNING	K2	137	27		H1	88	10		H10	97	1
LENS ASSY., PROTECTOR	J8	127	13	NUT-WASHER, 6MM	I12	115	22		G3	74	20
LEVER COMP., CHOKE	G2	73	16		I14	117	23	PACKING, FUEL COCK	G11	82	23
	G10	81	18	NUT, AIR CLEANER	H6	93	13		H1	88	20
	G14	85	35	NUT, FLANGE, 10MM	E7	46	16	PACKING, FUEL FILLER CAP	I2	105	5
	G16	87	16	NUT, FLANGE, 6MM	H5	92	11	PACKING, FUEL STRAINER CUP	G8	79	13
	H1	88	16		H7	94	9		H1	88	11
LEVER, COCK	G3	74	17		H8	95	11	PACKING, HEAD COVER	E2	41	7
	G10	81	20		H9	96	8	PACKING, INSULATOR	G2	73	13
	H1	88	17		H10	97	16		G9	80	15
LEVER, CONTROL	J2	121	11		H15	102	12		G16	87	13
LIFTER, VALVE	F4	59	5		I3	106	9	PACKING, OIL FILLER CAP	H1	88	13
[M]					J6	125	30		E10	49	6
MARK, AIR CLEANER	K2	137	24	NUT, HEX., 4MM	J8	127	22	PACKING, REDUCTION CASE	J10	129	3
MARK, AIR CLEANER SALES POINT	J14	133	10	NUT, HEX., 5MM	K7	142	8		J12	131	2
MARK, CAUTION	K2	137	23	NUT, HEX., 8MM	H14	101	19	PACKING, REDUCTION COVER	J10	129	5
MARK, CHOKE	J14	133	4		H15	102	7		J12	131	4
				NUT, PIVOT ADJUSTING	F6	61	16	PANEL COMP., CONTROL	J7	126	4
	K1	136	4	NUT, SELF-LOCK, 6MM	K5	140	34	PAN, CLEANER OIL	H8	95	5
				NUT, SPECIAL, 14MM	I7	110	9	PIECE A, STOPPER	I12	115	10
MARK, CONTROL BOX	J8	127	14	NUT, TOOL BOX SETTING	H5	92	10		I14	117	11
MARK, ENGINE SWITCH	J14	133	6		H6	93	13	PIECE B, STOPPER	I12	115	11
MARK, EX. CAUTION	J15	134	11		H7	94	8		I14	117	12
					H8	95	10	PINION ASSY.	I11	114	5
	K2	137	21		H10	97	15		I14	117	6
			22					PIN, GOVERNOR WEIGHT	E6	45	6
								PIN, LOCK, 8MM	E7	46	18
								PIN, PISTON	F2	57	3



PART NAME INDEX

M 4

Part name	Address	Page	Ref.	Part name	Address	Page	Ref.	Part name	Address	Page	Ref.
PIN, SPRING, 2X12	G3	74	22	RUBBER, FUEL	G16	87	19	SCREW, TAPPING, 4X6	H14	101	18
	G12	83	26	RUBBER, RR. BOTTOM	K4	139	24		K5	140	25
	G16	87	20	RUBBER, SUPPORTER	G10	81	19	SCREW, TAPPING, 4X8	H13	100	12
	H1	88	23		G16	87	17	SCREW, TAPPING, 5X25	K7	142	7
PIPE COMP., EX.	H15	102	2		H16	103	1	SCREW, TAPPING, 5X8	H14	101	14
PISTON	E16	55	2	RUBBER, TANK CUSHION	K5	140	28		K7	142	6
	F1	56	2	RUBBER, TANK MOUNTING	K4	139	22	SCREW, THROTTLE STOP	G2	73	10
	F2	57	2						G8	79	11
PIVOT, ROCKER ARM	F4	59	6	[S]					G15	86	10
PLATE COMP., CLUTCH PRESSURE ..	J10	129	9	SCREEN SET	K4	139	7	SEAL, AIR CLEANER	H9	96	6
PLATE COMP., SIDE	F14	69	4	SCREEN SET, FUEL STRAINER	K4	139	8	SEAL, MUFFLER PROTECTOR	H15	102	10
PLATE, CLUTCH	J10	129	8	SCREW-WASHER, 5X14	I13	116	31	SEAL, VALVE STEM	F3	58	1
PLATE, FRICTION	F10	65	5		I15	118	32	SEPARATOR, AIR CLEANER	H9	96	2
PLATE, LEVER SETTING	G3	74	18	SCREW-WASHER, 5X20	I13	116	32	SHAFT COMP., P.T.O.	J10	129	17
	G10	81	21		I15	118	33	SHAFT UNIT, GEAR	I11	114	6
	H1	88	18	SCREW-WASHER, 5X30	I12	115	23		I14	117	7
PLATE, PRE AIR CLEANER	H10	97	13		I14	117	24	SHAFT, GOVERNOR ARM	E6	45	8
PLATE, PUSH ROD GUIDE	F6	61	14	SCREW-WASHER, 5X8	I12	115	19	SHAFT, P.T.O.	J9	128	5
PLATE, SIDE	F14	69	5		I14	117	20		J12	131	5
			6	SCREW-WASHER, 6X20	K7	142	9	SHROUD ASSY., UPPER	G1	72	20
PLUG, SPARK	E3	42	15	SCREW SET	G2	73	7	SHROUD COMP.	F15	70	8
	E4	43	15		G6	77	6	SHROUD COMP., LOWER	F15	70	8
	K5	140	38				8	SLIDER, GOVERNOR	E6	45	7
PROTECTOR COMP., MUFFLER	H12	99	3		G15	86	7	SPACER COMP., CARBURETOR	G2	73	14
PROTECTOR, CIRCUIT	J8	127	12	SCREW SET, DRAIN	H1	88	7		G9	80	16
PROTECTOR, LOWER	H12	99	4		G2	73	6		H1	88	14
PROTECTOR, MUFFLER	H12	99	3		G6	77	7	SPACER, 20MM	J9	128	8
PROTECTOR, MUFFLER INNER	H15	102	9		G15	86	6	SPACER, CONTROL LEVER	J2	121	15
PROTECTOR, MUFFLER OUTER	H15	102	8		H1	88	6	SPACER, MUFFLER COVER	K6	141	5
PULLEY COMP., STARTER	I6	109	3	SCREW SET, PILOT	G2	73	5	SPANNER, 10X12	J16	135	5
PULLEY, STARTER	I6	109	4		G6	77	6	SPANNER, 14X17	J16	135	6
	I7	110	10		G15	86	5	SPRING, CABLE RETURN	J4	123	18
					H1	88	5	SPRING, CLUTCH FREE	J10	129	10
[R]				SCREW, PAN, 3X12	J8	127	20	SPRING, COCK LEVER	G3	74	19
RATCHET, STARTER	F9	64	4	SCREW, PAN, 3X6	G3	74	21		G10	81	22
	K3	138	4		G12	83	25	SPRING, CONTROL ADJUSTING	H1	88	19
RECTIFIER ASSY., REGULATOR	K4	139	16		H1	88	22		G1	72	19
RECTIFIER ASSY., SILICON	J7	126	5		K5	140	32	SPRING, FRICTION	J3	122	17
REEL, RECOIL STARTER	F9	64	3	SCREW, PAN, 4X12	J8	127	21		F10	65	7
	K3	138	3	SCREW, PAN, 4X6	J5	124	26	SPRING, GOVERNOR	K3	138	6
RETAINER, EX. VALVE SPRING	F5	60	12	SCREW, PAN, 4X8	G14	85	39		J1	120	8
	F6	61	12	SCREW, PAN, 5X16	J5	124	27	SPRING, LEVER	K4	139	4
RETAINER, IN. VALVE SPRING	F5	60	11	SCREW, PAN, 5X20	J6	125	28	SPRING, RECOIL STARTER	J2	121	12
	F6	61	12	SCREW, PAN, 5X25	J6	125	28		F10	65	8
RING SET, PISTON	E13	52	1	SCREW, PAN, 5X32	J6	125	28	SPRING, RETURN	K3	138	7
	E14	53	1	SCREW, PAN, 5X35	G1	72	21		F10	65	9
	E15	54	1		J6	125	29		G14	85	36
	E16	55	1	SCREW, PAN, 5X40	J6	125	29		I12	115	12
ROD ASSY., CONNECTING	F2	57	4		K5	140	33		I14	117	13
ROD COMP., PUSH	F3	58	3	SCREW, PAN, 5X8	G14	85	40	SPRING, THROTTLE RETURN	K3	138	8
ROD, GOVERNOR	J1	120	7		I12	115	19	SPRING, THRUST	J1	120	9
ROD, PUSH	F3	58	3	SCREW, RECESSED, 5X25	J4	123	23	SPRING, VALVE	J9	128	7
ROPE, RECOIL STARTER	F12	67	11	SCREW, SETTING	F12	67	12	SPRING, WEIGHT RETURN	F5	60	10
	K3	138	10		K3	138	11	SPROCKET COMP., DRIVE	F4	59	7
ROTATOR, VALVE	F6	61	13	SCREW, SPECIAL, 6X12	J8	127	15	SPROCKET, DRIVE	J10	129	15
ROTOR ASSY.	I11	114	8	SCREW, TAPPING, 4X6	H13	100	12	STARTER ASSY., RECOIL	J9	128	4
	I14	117	9		H14	101	15		F7	62	1
RUBBER, FR. BOTTOM	K4	139	23						F8	63	1

PART NAME INDEX

Part name	Address	Page	Ref.	Part name	Address	Page	Ref.	Part name	Address	Page	Ref.
STARTER ASSY., RECOIL	K3	138	1	WASHER, PLAIN, 4MM	J8	127	23				
STAY, AIR CLEANER	H9	96	5	WASHER, PLAIN, 5MM	K7	142	10				
STAY, CHOKE CONTROL	G14	85	34	WASHER, PLAIN, 6MM	E7	46	17				
STAY, MUFFLER	H12	99	2	WASHER, SPECIAL	I13	116	29				
	H15	102	11		I15	118	30				
STRAINER COMP., FUEL	G16	87	18	WASHER, SPRING	I13	116	30				
STRAP, WIRE HARNESS, 25MM	J8	127	18		I15	118	31				
SUB HARNESS	F15	70	9	WASHER, SPRING, 4MM	J8	127	24				
SUSPENSION, COUPLER	J7	126	6	WASHER, SPRING, 8MM	J11	130	26				
SWITCH ASSY., COMBINATION	J8	127	10	WASHER, TANK CUSHION	K5	140	27				
SWITCH ASSY., ENGINE	K4	139	21	WASHER, THRUST, 14.1MM	F6	61	17				
SWITCH ASSY., ENGINE STOP	F16	71	11	WASHER, THRUST, 20MM	J10	129	18				
				WASHER, THRUST, 6MM	E6	45	10				
				WEIGHT, CLUTCH	J10	129	12				
	K4	139	19	WEIGHT, GOVERNOR	E6	45	4				
SWITCH ASSY., OIL LEVEL	E5	44	2	WRENCH COMP., SPARK PLUG	J16	135	4				
	E8	47	21	WRENCH, BOX	K5	140	39				
SWITCH COMP., STARTING MAGNET	I11	114	1	WRENCH, SPARK PLUG	J16	135	1				
	I14	117	2								
[T]				[Y]							
TANK COMP., FUEL	I1	104	3	YOKE ASSY.	I11	114	7				
	I2	105	3		I14	117	8				
	I5	108	15								
TOOL KIT	J16	135	3								
TUBE, BREATHER	E2	41	8								
			9								
TUBE, FASTENER, 30MM	J8	127	19								
TUBE, FUEL, 4.5X110	G16	87	22								
TUBE, FUEL, 4.5X140	I3	106	10								
	I4	107	10								
TUBE, FUEL, 4.5X145	I4	107	10								
TUBE, FUEL, 4.5X180	G16	87	22								
TUBE, FUEL, 4.5X210	K5	140	40								
TUBE, FUEL, 4.5X300	G12	83	27								
TUBE, FUEL, 4.5X35	G16	87	21								
TUBE, FUEL, 4.5X430	G16	87	22								
[V]											
VALVE SET, FLOAT	G2	73	2								
	G4	75	2								
	G15	86	2								
	H1	88	2								
VALVE, EX.	F4	59	9								
	F5	60	9								
VALVE, IN.	F4	59	8								
[W]											
WASHER, 8MM	E12	51	14								
	J9	128	9								
WASHER, CONTROL LEVER	J2	121	13								
WASHER, DRAIN PLUG, 10.2MM ...	E6	45	11								
WASHER, DRAIN PLUG, 12MM	J10	129	25								
	J12	131	9								
WASHER, PINION	I12	115	25								
	I15	118	26								

1

FOREWORD INDEX

2

ENGINE GROUP

3

PART NUMBER INDEX

4

PART NAME INDEX

HONDA
The Power of Dreams



PARTS CATALOGUE NEWS

Honda Motor Co., Ltd.

Customer Service Technology Development Division

PARTS CATALOGUE - CORRECTED

Printed in Japan

CODE NO.	13Z4M603
PARTS CATALOGUE NEWS	GX160UT1 GX160RT1 GX160UT2 GX160RT2
NEWS NO.	001

Block No.	Ref. No.	Note	Part No.	Description	Reqd. QTY				Serial No.	Parts catalogue code
					GX 160 UT1	GX 160 RT1	GX 160 UT2	GX 160 RT2		
E-9	2	T	14100-Z0V-820	CAMSHAFT ASSY. (TH).....	1	-	-	-	-----	VS17, VSD2, VSD7
		T	14100-ZL0-870	CAMSHAFT ASSY.	1	-	-	-	-----	VSD2

NOTE A:PART NO. CHANGE D:NEWLY PROVIDED E:PART NO.DELETION K:REQUIRED NO. CORRECTION L:APPLICATION SERIAL NO. CORRECTION
T:APPLICATION CORRECTION Z:REMARKS CHANGE



PARTS CATALOGUE NEWS

Honda Motor Co., Ltd.

Customer Service Technology Development Division

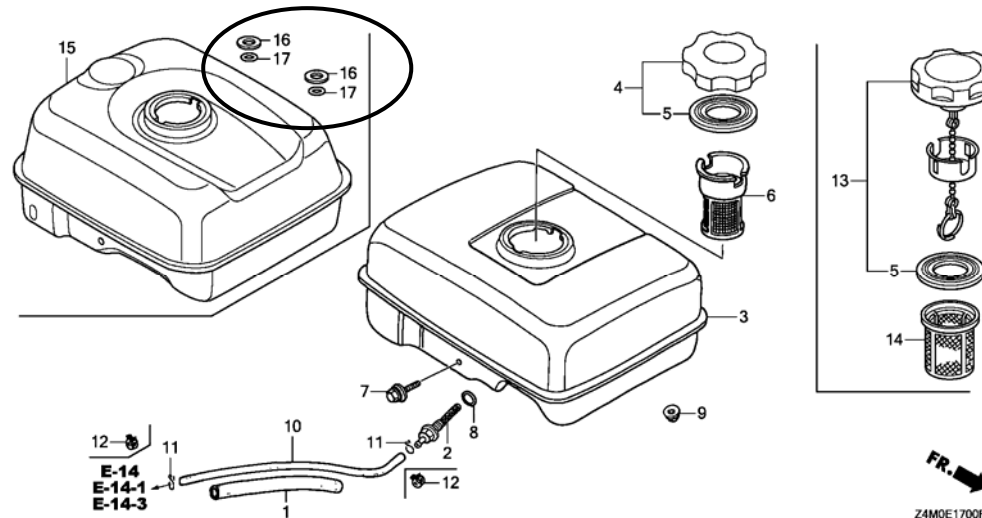
PARTS CATALOGUE - CORRECTED

Printed in Japan

CODE NO.	13Z4M603
PARTS CATALOGUE NEWS	GX160UT1 GX160RT1 GX160UT2 GX160RT2
NEWS NO.	002

Block No.	Ref. No.	Note	Part No.	Description	Reqd. QTY				Serial No.	Parts catalogue code
					GX 160 UT1	GX 160 RT1	GX 160 UT2	GX 160 RT2		

E-17 FUEL TANK



NOTE A:PART NO. CHANGE D:NEWLY PROVIDED E:PART NO.DELETION K:REQUIRED NO. CORRECTION L:APPLICATION SERIAL NO. CORRECTION
T:APPLICATION CORRECTION Z:REMARKS CHANGE

PARTS CATALOGUE NEWS

BOOKNo. : 13Z4M603

Block No.	Ref. No.	Note	Part No.	Description	Reqd. QTY				Serial No.	Parts catalogue code	
					GX 160 UT1	GX 160 RT1	GX 160 UT2	GX 160 RT2			
E-17	15	T	17510-Z4M-000ZB	TANK COMP., FUEL *NH1*.....BLACK	-	-	1	-	-----	-----	HX2, LX2, PXU, QA2, QBC2, QBM2, QGR9, QH26, QHQ4, QMC6, QMC8, QMD6, QME4, QMX2, QPU, QWA4, QWX2, QX2, QX4, QX9, QXE2, QXS2, QXU, RH2, SD16, SHQ4, SMC7, SMC9, SSX2, SWX2, SX4, SX9, SXS4, SXU, TX2, TX4, VA2, VX2, VXU1, WKS, WKT2
	16	D	90503-898-000	WASHER, TANK CUSHION.....	-	-	2	-	-----	-----	QMX2
	17	D	91302-Z4M-003	O-RING, 5. 5X1.5.....	-	-	2	-	-----	-----	QMX2

NOTE A:PART NO. CHANGE D:NEWLY PROVIDED E:PART NO.DELETION K:REQUIRED NO. CORRECTION L:APPLICATION SERIAL NO. CORRECTION
T:APPLICATION CORRECTION Z:REMARKS CHANGE



PARTS CATALOGUE NEWS

Honda Motor Co., Ltd.

Customer Service Technology Development Division

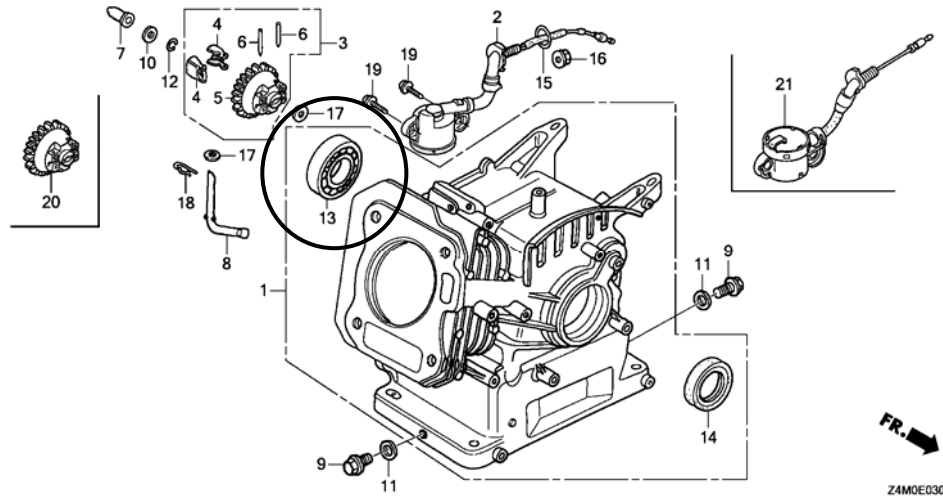
PARTS CATALOGUE - CORRECTED

Printed in Japan

CODE NO.	13Z4M603
PARTS CATALOGUE NEWS	GX160UT1 GX160RT1 GX160UT2 GX160RT2
NEWS NO.	003

Block No.	Ref. No.	Note	Part No.	Description	Reqd. QTY				Serial No.	Parts catalogue code
					GX 160 UT1	GX 160 RT1	GX 160 UT2	GX 160 RT2		

E-3 CYLINDER BARREL



E-3	13	T	91001-Z4X-003	BEARING, RADIAL BALL, 6205 (NSK)	1	1	1	1
-----	----	---	---------------	----------------------------------	---	---	---	---

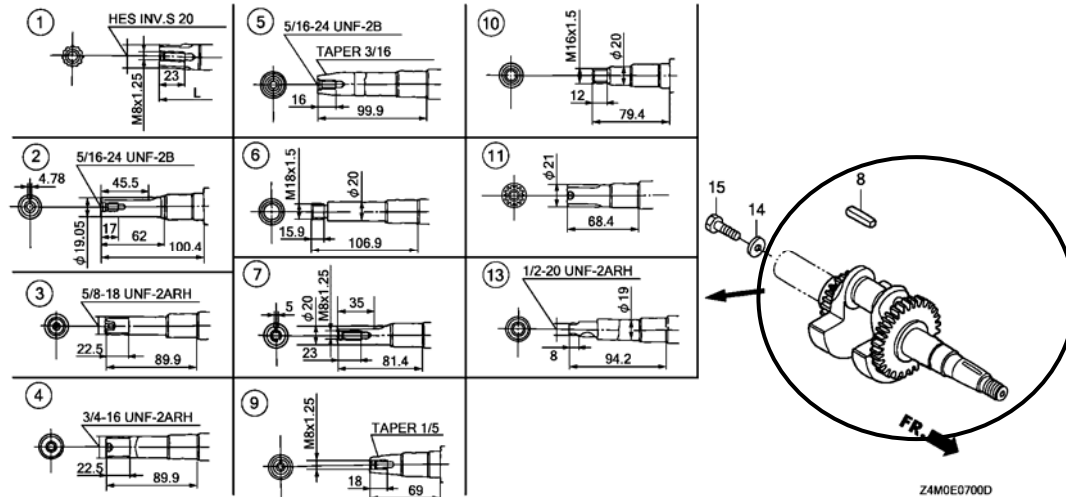
NOTE A:PART NO. CHANGE D:NEWLY PROVIDED E:PART NO.DELETION K:REQUIRED NO. CORRECTION L:APPLICATION SERIAL NO. CORRECTION T:APPLICATION CORRECTION Z:REMARKS CHANGE

PARTS CATALOGUE NEWS

BOOKNo. : 13Z4M603

Block No.	Ref. No.	Note	Part No.	Description	Reqd. QTY				Serial No.	Parts catalogue code
					GX 160 UT1	GX 160 RT1	GX 160 UT2	GX 160 RT2		
		T	91001-ZF1-003	BEARING, RADIAL BALL (6205TMB) (NTN)	1	1	1	1		
		T	91001-ZF1-004	BEARING, RADIAL BALL (6205SH) (KOYO)	1	1	1	1		

E-7 CRANKSHAFT



E-7	16	E	91001-Z4X-003	*PARTS NO. DELETION						
		E	91001-ZF1-003	*PARTS NO. DELETION						
		E	91001-ZF1-004	*PARTS NO. DELETION						
E-16	6	T	18340-ZE1-010	DEFLECTOR COMP.	1	-	-	-	-----	QA2, QA26, QBT6, QMC6, QMP4, QMZ2, QNT, QNT4, QPU, QWW2, QWX2, QXU, SSS2, SWX2, SXS2, SXS4, SXU, TXDU
							1		-----	QMX2, S1CY, SMW2, SSS2
		T	18331-883-810	CAP, MUFFLER	1	-	-	-	-----	QMC8, QWA4, QXC4, QXC9, SG22, SG24, SMC7, VG24, VG29
	11	T	18522-ZE1-000	GUIDE, MUFFLER	1	-	-	-	-----	QA2, QA26, QBT6, QMC6, QMP4, QMZ2, QNT, QNT4, QPU, QXU, SSS2, SWX2, SXS2, SXS4, SXU, TXDU
							1		-----	QMX2, S1CY, SMW2, SSS2

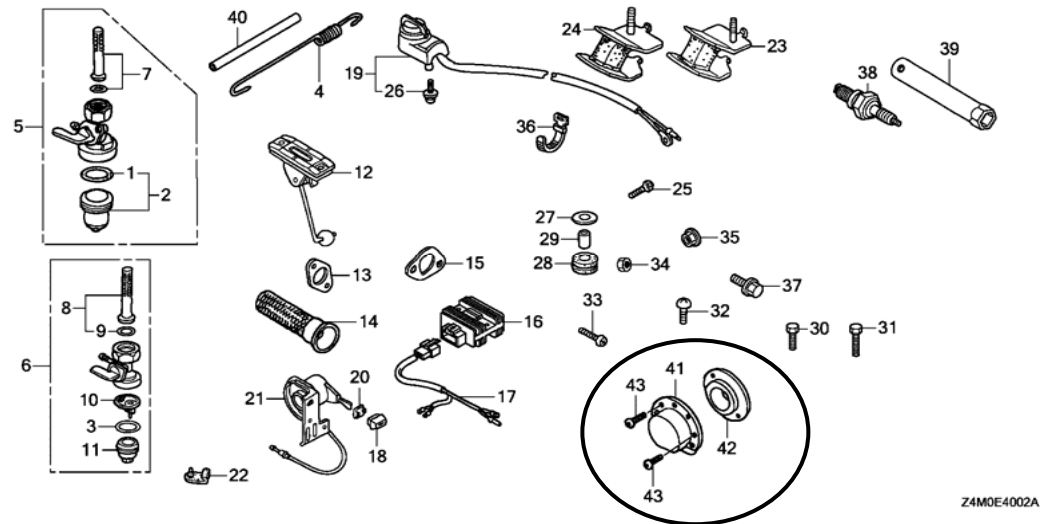
NOTE A:PART NO. CHANGE D:NEWLY PROVIDED E:PART NO.DELETION K:REQUIRED NO. CORRECTION L:APPLICATION SERIAL NO. CORRECTION
T:APPLICATION CORRECTION Z:REMARKS CHANGE

PARTS CATALOGUE NEWS

BOOKNo. : 13Z4M603

Block No.	Ref. No.	Note	Part No.	Description	Reqd. QTY				Serial No.	Parts catalogue code
					GX 160 UT1	GX 160 RT1	GX 160 UT2	GX 160 RT2		
	12	T	90002-Z0T-800	SCREW, TAPPING, 4X8	2	-	-	-	-----	QA2, QA26, QBT6, QMC6, QMP4, QMZ2, QNT, QPU, QWW2, QWX2, QXU, SWX2, SXS2, SXS4, SXU, TXDU
					-	-	2	-	-----	QMX2, S1CY, SMW2, SSX2
		T	90055-ZE1-000	SCREW, TAPPING, 4X6	2	-	-	-	-----	QMC8, QWA4, QXC4, QXC9, SG22, SG24, SMC7, VG24, VG29

E-40-2 MUFFLER (1)



Z4M0E4002A

E-40-2	41	D	18340-ZE1-010	DEFLECTOR COMP.	-	-	1	-	-----	LHN4, QA2, QMC6, QMP4, QPU, QWX2, QXU, SHRY, SMX4, SMXE, SWX2, SXS4, SXU, TXDU
		D	18331-883-810	CAP, MUFFLER	-	-	1	-	-----	QMC8, QWA4, QXC9, SG24, SMC7, VG29
	42	D	18522-ZE1-000	GUIDE, MUFFLER	-	-	1	-	-----	LHN4, QA2, QMC6, QMP4, QPU, QXU, SHRY, SMX4, SMXE, SWX2, SXS4, SXU, TXDU
	43	D	90002-Z0T-800	SCREW, TAPPING, 4X8	-	-	2	-	-----	LHN4, QA2, QMC6, QMP4, QPU, QWX2, QXU, SHRY, SMX4, SMXE, SWX2, SXS4, SXU, TXDU

NOTE A:PART NO. CHANGE D:NEWLY PROVIDED E:PART NO.DELETION K:REQUIRED NO. CORRECTION L:APPLICATION SERIAL NO. CORRECTION
T:APPLICATION CORRECTION Z:REMARKS CHANGE

PARTS CATALOGUE NEWS

BOOKNo. : 13Z4M603

Block No.	Ref. No.	Note	Part No.	Description	Reqd. QTY				Serial No.	Parts catalogue code
					GX 160 UT1	GX 160 RT1	GX 160 UT2	GX 160 RT2		
		D	90055-ZE1-000	SCREW, TAPPING, 4X6	-	-	2	-	-----	QMC8, QWA4, QXC9, SG24, SMC7, VG29

NOTE A:PART NO. CHANGE D:NEWLY PROVIDED E:PART NO.DELETION K:REQUIRED NO. CORRECTION L:APPLICATION SERIAL NO. CORRECTION
T:APPLICATION CORRECTION Z:REMARKS CHANGE



PARTS CATALOGUE NEWS

Honda Motor Co., Ltd.
Customer Service Technology Development Division

Printed in Japan

CODE NO.	13Z4M603
PARTS CATALOGUE NEWS	GX160UT1 GX160RT1 GX160UT2 GX160RT2
NEWS NO.	004

GX160UT2-SG24,SMX4,SMXE,QXC9,TXC9 and VG29 TYPES sales parts information

NOTE: This Parts Catalogue News explains only the parts of the different model that are produced to conform to addition of the GX160UT2-SG24,SMX4,SMXE,QXC9,TXC9 and VG29 types.

As for the parts not listed on this Parts Catalogue News, use the parts of the GX160UT1-SG24,VSD,QXC9,TXC9 and VG29 types.

• Models, parts catalogue codes and applicable serial numbers

Model	Type		Parts catalogue type	Applicable engine serial No.	Applicable carburetor identification No.
GX160UT1	SG24	Base type	SG24	GCAFT-1000001~	BE65Q A
	VSD		VSD		
	QXC9		QXC9		BE54B A
	TXC9		TXC9		
	VG29		VG29		
GX160UT2	SG24	Additional type	SG24	GCBPT-1000001~	BE54C A
	SMX4		SMX4		BE54D A
	SMXE		SMXE		BE54E A
	QXC9		QXC9		
	TXC9		TXC9		
	VG29		VG29		

NOTE A:PART NO. CHANGE D:NEWLY PROVIDED E:PART NO.DELETION K:REQUIRED NO. CORRECTION L:APPLICATION SERIAL NO. CORRECTION
T:APPLICATION CORRECTION Z:REMARKS CHANGE

PARTS CATALOGUE NEWS

BOOKNo. : 13Z4M603

• Features of each type		Base type					Additional type					
		GX160UT1					GX160UT2					
Model		SG24	VSD	QXC9	TXC9	VG29	SG24	SMXE	SMX4	QXC9	TXC9	VG29
Specifications		Type										
Crankshaft	20mm Ø Spline											
	21mm Ø Pinion											
	20mm Ø Straight	●					●	●	●			
	19.05mm Ø Straight			●						●		
	3/16" Tapered		●									
	1/5" Tapered					●						●
	3/4" Thread											
	M16 Thread											
	M18 Thread											
	1/2" Thread											
	5/8" Thread				●						●	
Oil alert unit		●	●	●	●	●	●	●	●	●	●	●
Engine stop switch		●	●	●	●	●	●	●	●	●	●	●
Engine stop switch (~1654685)												
Air cleaner	Dual	●	●				●	●	●			
	Semi dry											
	Oil bath											
	Standard											
	Cyclone			●	●	●				●	●	●
Spark arrester		●	(●)	●	(●)	●	●	(●)	(●)	●	(●)	●
Fuel tank		●	●	●	●	●	●	●		●	●	
Coil	Lamp coil											
	Charge coil											
Starter motor												
Reduction												
Muffler cover		(●)	(●)			(●)	(●)	(●)	(●)			(●)

NOTE A:PART NO. CHANGE D:NEWLY PROVIDED E:PART NO.DELETION K:REQUIRED NO. CORRECTION L:APPLICATION SERIAL NO. CORRECTION
T:APPLICATION CORRECTION Z:REMARKS CHANGE

PARTS CATALOGUE NEWS

BOOKNo. : 13Z4M603

Block No.	Ref. No.	Part No.	Description	Reqd. QTY				Base Part No.	Parts catalogue code
				GX 160 UT1	GX 160 RT1	GX 160 UT2	GX 160 RT2		
E-2	3	12210-Z4M-405	HEAD COMP., CYLINDER.....	-	-	1	-	12210-ZH8-415	QXC9, SG24, SMX4, SMXE, TXC9, VG29
	5	12251-ZL0-003	GASKET, CYLINDER HEAD.....	-	-	1	-	12251-Z0T-801	QXC9, SG24, SMX4, SMXE, TXC9, VG29
	6	12310-Z4M-000	COVER COMP., HEAD.....	-	-	1	-	12310-ZE1-020	SG24, SMX4, SMXE
		12310-Z4M-840	COVER COMP., HEAD.....	-	-	1	-	12310-ZE1-842	QXC9, TXC9, VG29
	15	98079-55876	PLUG, SPARK (BPR5ES) (NGK).....	-	-	1	-		SG24
		98079-56855	PLUG, SPARK (W20EPR-U) (DENSO)..	-	-	1	-		SMX4, SMXE
		98079-56876	PLUG, SPARK (BPR6ES) (NGK).....	-	-	1	-	98079-56846	QXC9, TXC9
			PLUG, SPARK (BPR5ES) (NGK).....	-	-	(0)	-	98079-55876	SMX4, SMXE
E-3	1	12000-Z4M-406	BARREL ASSY., CYLINDER (OIL ALERT)	-	-	1	-	12000-Z0T-406	QXC9, SG24, SMX4, SMXE, TXC9, VG29
	2		SWITCH ASSY., OIL LEVEL.....	-	-	0	-	15510-ZE1-043	VG29
	3	16510-Z4M-000	GOVERNOR ASSY.....	-	-	1	-	16510-ZE1-000	QXC9, SG24, TXC9, VG29
		16510-Z4M-000	GOVERNOR ASSY.....	-	-	1	-		SMX4, SMXE
	4	16511-Z4M-000	WEIGHT, GOVERNOR.....	-	-	2	-	16511-ZE1-000	QXC9, SG24, TXC9, VG29
		16511-Z4M-000	WEIGHT, GOVERNOR.....	-	-	2	-		SMX4, SMXE
	5	16512-Z4M-000	HOLDER, GOVERNOR WEIGHT.....	-	-	1	-	16512-ZE1-000	QXC9, SG24, TXC9, VG29
		16512-Z4M-000	HOLDER, GOVERNOR WEIGHT.....	-	-	1	-		SMX4, SMXE
	6	16513-ZE1-000	PIN, GOVERNOR WEIGHT.....	-	-	2	-		SMX4, SMXE
	7	16531-Z4M-000	SLIDER, GOVERNOR.....	-	-	1	-	16531-ZE1-000	QXC9, SG24, SMX4, SMXE, TXC9, VG29
	8	16541-Z4M-000	SHAFT, GOVERNOR ARM.....	-	-	1	-	16541-ZE1-000	QXC9, SG24, SMX4, SMXE, TXC9, VG29
	10		WASHER, THRUST, 6MM.....	-	-	0	-	90451-ZE1-000	QXC9, SG24, SMX4, SMXE, TXC9, VG29
	13		BEARING, RADIAL BALL, 6205 (NSK)	-	-	0	-	91001-Z4X-003	QXC9, SG24, SMX4, SMXE, TXC9, VG29
		BEARING, RADIAL BALL (6205TMB) (NTN)	-	-	0	-	91001-ZF1-003	QXC9, SG24, SMX4, SMXE, TXC9, VG29	

NOTE A:PART NO. CHANGE D:NEWLY PROVIDED E:PART NO.DELETION K:REQUIRED NO. CORRECTION L:APPLICATION SERIAL NO. CORRECTION
T:APPLICATION CORRECTION Z:REMARKS CHANGE

PARTS CATALOGUE NEWS

BOOKNo. : 13Z4M603

Block No.	Ref. No.	Part No.	Description	Reqd. QTY				Base Part No.	Parts catalogue code
				GX 160 UT1	GX 160 RT1	GX 160 UT2	GX 160 RT2		
			BEARING, RADIAL BALL (6205SH) (KOYO)	-	-	0	-	91001-ZF1-004	QXC9, SG24, SMX4, SMXE, TXC9, VG29
	14		OIL SEAL, 25X41X6.....	-	-	0	-	91201-ZOT-801	QXC9, SG24, SMX4, SMXE, TXC9, VG29
	20		GOVERNOR ASSY.....	-	-	0	-	16506-ZLO-000	SMX4, SMXE
	21	35480-ZOT-003	SWITCH ASSY., OIL LEVEL.....	-	-	1	-		VG29
E-6	2	11300-Z4M-630	COVER ASSY., CRANKCASE.....	-	-	1	-	11300-ZE1-634	SG24
		11300-Z4M-630	COVER ASSY., CRANKCASE.....	-	-	1	-	11300-ZE1-642	SMX4, SMXE
		11300-Z4M-640	COVER ASSY., CRANKCASE.....	-	-	1	-	11300-ZE1-642	QXC9, TXC9, VG29
	5	15600-ZOT-820	CAP ASSY., OIL FILLER.....	-	-	1	-	15600-ZG4-003	TXC9
	11	15625-ZOT-800	PACKING, OIL FILLER CAP.....	-	-	1	-	15625-ZE1-003	TXC9
E-7	2	13310-Z4M-800	CRANKSHAFT COMP.....	-	-	1	-	13310-ZOT-800	QXC9
	3	13310-Z4M-830	CRANKSHAFT COMP. (L=196).....	-	-	1	-	13310-ZE1-660	TXC9
	5		CRANKSHAFT COMP.....	-	-	0	-	13310-ZOT-850	SMX4, SMXE
	7	13310-Z4M-880	CRANKSHAFT COMP.....	-	-	1	-	13310-ZOT-880	SG24
		13310-Z4M-880	CRANKSHAFT COMP.....	-	-	1	-		SMX4, SMXE
	8	90741-883-810	KEY, 5X5X33 (YELLOW).....	-	-	1	-		SMX4, SMXE
			KEY, 5X5X33 (YELLOW).....	-	-	0	-	90741-883-810	SG24
	9	13310-Z4M-680	CRANKSHAFT COMP.....	-	-	1	-	13310-ZOT-680	VG29
	14	90473-842-000	WASHER, 8MM.....	-	-	1	-		SMX4, SMXE
E-8	1	13010-Z4M-801	RING SET, PISTON (STD.) (RIKEN).	-	-	1	-	13010-Z4K-004	QXC9, SG24, SMX4, SMXE, TXC9, VG29
		13010-Z4M-801	RING SET, PISTON (STD.) (RIKEN).	-	-	1	-	13010-Z4M-003	SG24, SMX4, SMXE
		13010-Z4M-802	RING SET, PISTON (STD.) (TEIKOKU)	-	-	1	-	13010-Z4K-004	QXC9, SG24, SMX4, SMXE, TXC9, VG29
		13010-Z4M-802	RING SET, PISTON (STD.) (TEIKOKU)	-	-	1	-	13010-Z4M-003	SG24, SMX4, SMXE

NOTE A:PART NO. CHANGE D:NEWLY PROVIDED E:PART NO.DELETION K:REQUIRED NO. CORRECTION L:APPLICATION SERIAL NO. CORRECTION
T:APPLICATION CORRECTION Z:REMARKS CHANGE

PARTS CATALOGUE NEWS

BOOKNo. : 13Z4M603

Block No.	Ref. No.	Part No.	Description	Reqd. QTY				Base Part No.	Parts catalogue code
				GX 160 UT1	GX 160 RT1	GX 160 UT2	GX 160 RT2		
			RING SET, PISTON(0.25) (TEIKOKU)	-	-	(0)	-	13011-Z4K-004	QXC9, SG24, SMX4, SMXE, TXC9, VG29
			RING SET, PISTON(0.25) (RIKEN)	-	-	(0)	-	13011-Z4M-003	SG24, SMX4, SMXE
			RING SET, PISTON(0.50) (TEIKOKU)	-	-	(0)	-	13012-Z4K-004	QXC9, SG24, SMX4, SMXE, TXC9, VG29
			RING SET, PISTON(0.50) (RIKEN)	-	-	(0)	-	13012-Z4M-003	SG24, SMX4, SMXE
			RING SET, PISTON(0.75) (TEIKOKU)	-	-	(0)	-	13013-Z4K-004	QXC9, SG24, SMX4, SMXE, TXC9, VG29
			RING SET, PISTON(0.75) (RIKEN)	-	-	(0)	-	13013-Z4M-003	SG24, SMX4, SMXE
	2	13101-Z4M-800	PISTON(STD.)	-	-	1	-	13101-ZH8-020	QXC9, SG24, SMX4, SMXE, TXC9, VG29
			PISTON(0.25)	-	-	(0)	-	13102-ZH8-020	QXC9, SG24, SMX4, SMXE, TXC9, VG29
			PISTON(0.50)	-	-	(0)	-	13103-ZH8-010	SMX4, SMXE
			PISTON(0.50)	-	-	(0)	-	13103-ZH8-020	QXC9, SG24, SMX4, SMXE, TXC9, VG29
			PISTON(0.75)	-	-	(0)	-	13104-ZH8-010	SMX4, SMXE
			PISTON(0.75)	-	-	(0)	-	13104-ZH8-020	QXC9, SG24, SMX4, SMXE, TXC9, VG29
	3	13111-Z4M-000	PIN, PISTON	-	-	1	-	13111-ZE1-000	QXC9, SG24, SMX4, SMXE, TXC9, VG29
	4	13200-Z4M-000	ROD ASSY., CONNECTING	-	-	1	-	13200-Z0T-800	QXC9, SG24, SMX4, SMXE, TXC9, VG29
		13210-Z4M-305	ROD COMP., CONNECTING (UNDER SIZE)	-	-	(1)	-		QXC9, SG24, SMX4, SMXE, TXC9, VG29
	5	90001-Z4M-000	BOLT, CONNECTING ROD, 6X34.5	-	-	2	-	90001-ZE1-000	QXC9, SG24, SMX4, SMXE, TXC9, VG29
E-9	1	12209-Z4M-801	SEAL, VALVE STEM	-	-	1	-	12209-ZH8-003	QXC9, SG24, SMX4, SMXE, TXC9, VG29
	2	14100-Z4M-000	CAMSHAFT ASSY.	-	-	1	-	14100-ZE1-812	QXC9, SG24, TXC9, VG29
		14100-Z4M-000	CAMSHAFT ASSY.	-	-	1	-	14100-ZL0-000	SMX4, SMXE
	3	14410-Z4M-000	ROD COMP., PUSH	-	-	2	-	14410-ZE1-010	QXC9, SG24, SMX4, SMXE, TXC9, VG29
	8	14711-Z4M-000	VALVE, IN.	-	-	1	-	14711-ZF1-000	QXC9, SG24, SMX4, SMXE, TXC9, VG29
	9	14721-Z4M-000	VALVE, EX.	-	-	1	-	14721-ZF1-000	QXC9, SG24, SMX4, SMXE, TXC9, VG29

NOTE A:PART NO.CHANGE D:NEWLY PROVIDED E:PART NO.DELETION K:REQUIRED NO. CORRECTION L:APPLICATION SERIAL NO. CORRECTION
T:APPLICATION CORRECTION Z:REMARKS CHANGE

PARTS CATALOGUE NEWS

BOOKNo. : 13Z4M603

Block No.	Ref. No.	Part No.	Description	Reqd. QTY				Base Part No.	Parts catalogue code
				GX 160 UT1	GX 160 RT1	GX 160 UT2	GX 160 RT2		
	12	14771-ZE1-000	RETAINER, IN. VALVE SPRING. . . .	-	-	1	-	14773-Z4X-000	QXC9, TXC9, VG29
		14771-ZE1-000	RETAINER, IN. VALVE SPRING. . . .	-	-	1	-	14773-ZE1-000	SG24, SMX4, SMXE
	13		ROTATOR, VALVE.	-	-	0	-	14781-ZE1-000	QXC9, SG24, SMX4, SMXE, TXC9, VG29
	14	14791-Z4M-000	PLATE, PUSH ROD GUIDE.	-	-	1	-	14791-ZE1-010	QXC9, SG24, SMX4, SMXE, TXC9, VG29
E-11	1	28400-Z4M-305ZB	STARTER ASSY., RECOIL (COO) *R280*. POWER RED	-	-	1	-	28400-ZH8-033YA	QXC9, SG24, SMXE, TXC9
		28400-Z4M-305ZD	STARTER ASSY., RECOIL (COO) *NH1*. BLACK	-	-	1	-	28400-ZH8-033ZB	QXC9, SG24, SMX4, SMXE
			STARTER ASSY., RECOIL *R280*. POWER RED	-	-	0	-	28400-ZH8-033YA	SMX4
	2	28410-Z4M-003ZB	CASE COMP., RECOIL STARTER *R280*. POWER RED	-	-	1	-	28410-ZH8-003YA	QXC9, SG24, SMXE, TXC9
		28410-Z4M-003ZD	CASE COMP., RECOIL STARTER *NH1*. BLACK	-	-	1	-	28410-ZH8-003ZB	QXC9, SG24, SMX4, SMXE
			CASE COMP., RECOIL STARTER *R280*. POWER RED	-	-	0	-	28410-ZH8-003YA	SMX4
	3	28421-Z0T-003	REEL, RECOIL STARTER.	-	-	1	-	28421-ZH8-801	QXC9, SG24, SMX4, SMXE, TXC9, VG29
	10		GRIP, STARTER.	-	-	0	-	28461-ZH8-013	QXC9, SG24, SMX4, SMXE, TXC9
	15	28461-Z4M-305	KNOB, RECOIL STARTER (COO).	-	-	1	-		QXC9, SG24, SMX4, SMXE, TXC9
	16	28463-Z4M-003	KNOB, REINFORCEMENT.	-	-	1	-		QXC9, SG24, SMX4, SMXE, TXC9
E-12	1	19610-Z4M-000ZA	COVER COMP., FAN *R280*. POWER RED	-	-	1	-	19610-ZE1-010ZP	QXC9, SG24, SMXE, TXC9
		19610-Z4M-000ZB	COVER COMP., FAN *NH1*. BLACK	-	-	1	-	19610-ZE1-010ZC	QXC9, SG24, SMX4, SMXE, VG29
			COVER COMP., FAN *R280*. POWER RED	-	-	0	-	19610-ZE1-010ZP	SMX4
	4	19611-Z4M-810	PLATE COMP., SIDE (OIL ALERT).	-	-	1	-	19611-ZH8-810	QXC9, SG24, SMX4, SMXE, TXC9, VG29
	8	19630-Z4M-000	SHROUD COMP.	-	-	1	-	19630-ZH8-000	QXC9, SG24, SMX4, SMXE, TXC9, VG29
	10	34150-ZH7-013	ALERT UNIT, OIL.	-	-	1	-	34150-ZH7-003	SG24, SMX4, SMXE

NOTE A:PART NO. CHANGE D:NEWLY PROVIDED E:PART NO.DELETION K:REQUIRED NO. CORRECTION L:APPLICATION SERIAL NO. CORRECTION
T:APPLICATION CORRECTION Z:REMARKS CHANGE

PARTS CATALOGUE NEWS

BOOKNo. : 13Z4M603

Block No.	Ref. No.	Part No.	Description	Reqd. QTY				Base Part No.	Parts catalogue code
				GX 160 UT1	GX 160 RT1	GX 160 UT2	GX 160 RT2		
E-14-1	4	16015-Z4M-911	CHAMBER SET, FLOAT.....	-	-	1	-	16015-ZE0-831	QXC9, SG24, SMX4, SMXE, TXC9, VG29
	6	16016-ZH7-W01	SCREW SET, PILOT.....	-	-	1	-	16016-ZH8-W01	QXC9, TXC9, VG29
	7	16024-Z5T-901	SCREW SET, DRAIN.....	-	-	1	-	16024-ZE1-811	QXC9, SG24, SMX4, SMXE, TXC9, VG29
	8	16028-Z5T-901	SCREW SET.....	-	-	1	-	16028-ZE0-005	QXC9, SG24, SMX4, SMXE, TXC9, VG29
	9	16044-Z4M-911	CHOKE SET.....	-	-	1	-	16044-ZE0-005	QXC9, SG24, SMX4, SMXE, TXC9, VG29
	10	16100-Z4M-911	CARBURETOR ASSY. (BE54C A).....	-	-	1	-	16100-Z0T-911	SG24
		16100-Z4M-922	CARBURETOR ASSY. (BE54D A).....	-	-	1	-	16100-Z0T-911	SMX4, SMXE
		16100-Z4M-V22	CARBURETOR ASSY. (BE54E A).....	-	-	1	-	16100-Z4X-V21	QXC9, TXC9, VG29
	12	16166-Z4M-911	NOZZLE, MAIN.....	-	-	1	-	16166-ZH8-W50	SG24
		16166-Z4M-922	NOZZLE, MAIN.....	-	-	1	-	16166-ZH8-W50	SMX4, SMXE
		16166-Z4M-V21	NOZZLE, MAIN.....	-	-	1	-	16166-ZH8-W00	QXC9, TXC9, VG29
	14	16211-Z4M-000	INSULATOR, CARBURETOR.....	-	-	1	-	16211-ZE1-000	QXC9, SG24, SMX4, SMXE, TXC9, VG29
	29	99101-ZH8-0620	JET, MAIN, #62.....	-	-	(1)	-		SG24, SMX4, SMXE
		99101-ZH8-0680	JET, MAIN, #68.....	-	-	(1)	-	99101-ZH8-0620	QXC9, TXC9, VG29
		99101-ZH8-0680	JET, MAIN, #68.....	-	-	1	-	99101-ZH8-0700	SMX4, SMXE
		99101-ZH8-0700	JET, MAIN, #70.....	-	-	1	-		QXC9, TXC9, VG29
	30	99204-ZE0-0380	JET SET, PILOT, #38.....	-	-	1	-	99204-ZE0-0400	QXC9, TXC9, VG29
	43	16959-Z5T-901	FILTER, CUP.....	-	-	1	-		QXC9, SG24, SMX4, SMXE, TXC9, VG29
E-15	4	17231-Z4M-000	COVER, AIR CLEANER.....	-	-	1	-	17230-ZE1-820	SG24, SMX4, SMXE
	6	17235-Z4M-830	NOSE, SILENCER.....	-	-	1	-	17235-ZE1-831	SG24
	9	17410-Z4M-000	ELBOW COMP., AIR CLEANER.....	-	-	1	-	17410-ZE1-020	SG24, SMX4, SMXE
	13	90300-Z1V-000	NUT, AIR CLEANER.....	-	-	1	-	90325-044-000	SG24, SMX4, SMXE
E-16	1	18310-Z4M-000	MUFFLER COMP.....	-	-	1	-	18310-ZF1-000	TXC9
		18310-Z4M-810	MUFFLER COMP. (ARRESTER).....	-	-	(1)	-	18310-ZH8-810	QXC9, SG24, SMX4, SMXE, TXC9, VG29

NOTE A:PART NO. CHANGE D:NEWLY PROVIDED E:PART NO.DELETION K:REQUIRED NO. CORRECTION L:APPLICATION SERIAL NO. CORRECTION
T:APPLICATION CORRECTION Z:REMARKS CHANGE

PARTS CATALOGUE NEWS

BOOKNo. : 13Z4M603

Block No.	Ref. No.	Part No.	Description	Reqd. QTY				Base Part No.	Parts catalogue code
				GX 160 UT1	GX 160 RT1	GX 160 UT2	GX 160 RT2		
			MUFFLER COMP. (SILENT).....	-	-	0	-	18310-ZE1-821	QXC9, SG24, VG29
			MUFFLER COMP. (STD.).....	-	-	0	-	18310-ZF1-000	SMX4, SMXE
	2		STAY, MUFFLER.....	-	-	0	-	18315-ZE1-000	QXC9, SG24, VG29
	3	18320-Z4M-000	PROTECTOR COMP., MUFFLER (STD.)	-	-	1	-	18320-ZF1-H01	SMX4, SMXE, TXC9
		18320-Z4V-000	PROTECTOR COMP., MUFFLER.....	-	-	1	-	18320-ZF1-H51	QXC9, SG24, VG29
	6		CAP, MUFFLER.....	-	-	0	-	18331-883-810	QXC9, SG24, VG29
	7	18355-ZL0-000	ARRESTER, SPARK.....	-	-	1	-	18355-ZE1-810	QXC9, SG24, VG29
	9		GASKET, MUFFLER.....	-	-	(0)	-	18381-ZH8-800	TXC9, VG29
	12		SCREW, TAPPING, 4X6.....	-	-	0	-	90055-ZE1-000	QXC9, SG24, VG29
	13	90016-ZE1-000	BOLT, FLANGE, 6X13 (CT200).....	-	-	1	-		SMX4, SMXE
	15	90055-ZE1-000	SCREW, TAPPING, 4X6.....	-	-	(1)	-		SG24
	20		BOLT, FLANGE, 6X12.....	-	-	0	-	95701-06012-00	QXC9, SG24, VG29
	21	18310-Z4M-V90	MUFFLER COMP.....	-	-	1	-		SMX4, SMXE
		18310-Z4V-800	MUFFLER COMP. (ARRESTER).....	-	-	1	-		QXC9, SG24, VG29
E-17	3		TANK COMP., FUEL *NH1*..... BLACK	-	-	0	-	17510-Z0T-010ZA	QXC9, SG24, SMX4, SMXE, VG29
			TANK COMP., FUEL *NH31*..... MCKINLEY WHITE	-	-	0	-	17510-Z0T-010ZC	QXC9, SG24, SMX4, SMXE, TXC9
	10	91424-Z4M-003	TUBE, FUEL, 4.5X145 (FKM).....	-	-	1	-	91424-Z4F-802	QXC9, TXC9, VG29
		91424-Z4M-003	TUBE, FUEL, 4.5X145 (FKM).....	-	-	1	-	91424-Z4F-801	SG24, SMX4, SMXE
	13	17620-Z4H-030	CAP COMP., FUEL FILLER.....	-	-	1	-	17620-Z4H-020	QXC9, SG24, SMX4, SMXE, TXC9, VG29
	14	17672-Z4H-000	FILTER, FUEL.....	-	-	1	-		SMX4, SMXE
	15	17510-Z4M-000ZA	TANK COMP., FUEL *NH31*..... MCKINLEY WHITE	-	-	1	-		QXC9, SG24, SMXE, TXC9
		17510-Z4M-000ZB	TANK COMP., FUEL *NH1*..... BLACK	-	-	1	-		QXC9, SG24, SMX4, SMXE, VG29

NOTE A:PART NO. CHANGE D:NEWLY PROVIDED E:PART NO.DELETION K:REQUIRED NO. CORRECTION L:APPLICATION SERIAL NO. CORRECTION
T:APPLICATION CORRECTION Z:REMARKS CHANGE

PARTS CATALOGUE NEWS

BOOKNo. : 13Z4M603

Block No.	Ref. No.	Part No.	Description	Reqd. QTY				Base Part No.	Parts catalogue code
				GX 160 UT1	GX 160 RT1	GX 160 UT2	GX 160 RT2		
	16	90503-898-000	WASHER, TANK CUSHION.	-	-	2	-	SMX4, SMXE	
	17	91302-Z4M-003	O-RING, 5. 5X1. 5.	-	-	2	-	SMX4, SMXE	
E-19	5	31110-Z4M-000	FLYWHEEL COMP.	-	-	1	-	31100-ZE1-010 QXC9, SG24, SMX4, SMXE, TXC9, VG29	
E-22	2	16500-Z4M-408	CONTROL ASSY.	-	-	1	-	16500-ZH8-883 TXC9	
	3	16500-Z4M-306	CONTROL ASSY. (REMOTE INTL) (COO)	-	-	1	-	16500-ZH8-813 SG24	
		16500-Z4M-309	CONTROL ASSY. (NORTON) (COO)	-	-	1	-	SMX4, SMXE	
		16500-Z4M-407	CONTROL ASSY. (CYCLONE) (COO) ...	-	-	1	-	16500-ZH8-853 QXC9, VG29	
	5	16551-Z4M-000	ARM, GOVERNOR.	-	-	1	-	16551-ZE0-010 QXC9, SG24, TXC9, VG29	
		16551-Z4M-000	ARM, GOVERNOR.	-	-	1	-	SMX4, SMXE	
	6		ARM, GOVERNOR.	-	-	0	-	16551-ZL0-000 SMX4, SMXE	
	7	16555-Z4M-000	ROD, GOVERNOR.	-	-	1	-	16555-ZE1-000 QXC9, SG24, SMX4, SMXE, TXC9, VG29	
	8	16561-Z4M-000	SPRING, GOVERNOR.	-	-	1	-	16561-ZE1-020 QXC9, SG24, TXC9, VG29	
		16561-Z4M-000	SPRING, GOVERNOR.	-	-	1	-	16561-ZL0-U30 SMX4, SMXE	
	9	16562-Z4M-000	SPRING, THROTTLE RETURN.	-	-	1	-	16562-ZE1-020 QXC9, SG24, SMX4, SMXE, TXC9, VG29	
	10		CONTROL ASSY.	-	-	0	-	16570-ZB2-000 SMX4, SMXE	
	11	16571-Z4M-000	LEVER, CONTROL.	-	-	1	-	16571-ZH8-020 QXC9, SG24, TXC9, VG29	
		16571-Z4M-000	LEVER, CONTROL.	-	-	1	-	SMX4, SMXE	
	12	16574-ZE1-000	SPRING, LEVER.	-	-	1	-	SMX4, SMXE	
	13	16575-ZH8-000	WASHER, CONTROL LEVER.	-	-	1	-	SMX4, SMXE	
	14	16576-891-000	HOLDER, CABLE.	-	-	1	-	SMX4, SMXE	
	15	16578-ZE1-000	SPACER, CONTROL LEVER.	-	-	1	-	SMX4, SMXE	
	16	16580-Z4M-810	BASE COMP., CONTROL.	-	-	1	-	16580-ZH8-813 SG24	
		16580-Z4M-810	BASE COMP., CONTROL.	-	-	1	-	SMX4, SMXE	
		16580-Z4M-850	BASE COMP., CONTROL.	-	-	1	-	16580-ZH8-853 QXC9, TXC9, VG29	

NOTE A:PART NO. CHANGE D:NEWLY PROVIDED E:PART NO.DELETION K:REQUIRED NO. CORRECTION L:APPLICATION SERIAL NO. CORRECTION
T:APPLICATION CORRECTION Z:REMARKS CHANGE

PARTS CATALOGUE NEWS

BOOKNo. : 13Z4M603

Block No.	Ref. No.	Part No.	Description	Reqd. QTY				Base Part No.	Parts catalogue code
				GX 160 UT1	GX 160 RT1	GX 160 UT2	GX 160 RT2		
	18	16592-ZE1-810	SPRING, CABLE RETURN.....	-	-	1	-	SMX4, SMXE	
	19	16594-883-010	HOLDER, WIRE.....	-	-	2	-	SMX4, SMXE	
	24	90114-SA0-000	NUT, SELF-LOCK, 6MM.....	-	-	1	-	SMX4, SMXE	
	25	90605-230-000	CIRCLIP, 5MM.....	-	-	2	-	SMX4, SMXE	
	26	93500-04006-0H	SCREW, PAN, 4X6.....	-	-	2	-	SMX4, SMXE	
	27	93500-05016-0A	SCREW, PAN, 5X16.....	-	-	1	-	SMX4, SMXE	
	28	93500-05025-0H	SCREW, PAN, 5X25.....	-	-	1	-	SMX4, SMXE	
		93500-05025-0H	SCREW, PAN, 5X25.....	-	-	1	-	93500-05025-0A TXC9	
	29		SCREW, PAN, 5X35.....	-	-	0	-	93500-05035-0A SMX4, SMXE	
E-28	2	87516-Z4H-010	MARK, OPERATOR CAUTION (ENGLISH) (MADE IN THAI)	-	-	1	-	87516-Z4H-000 QXC9, SMX4, TXC9	
			MARK, OPERATOR CAUTION (ENGLISH) (MADE IN THAI)	-	-	0	-	87516-Z4H-000 SG24, SMXE, VG29	
			MARK, OPERATOR CAUTION (PICTOGRAPH) (MADE IN THAI)	-	-	(0)	-	87516-Z4H-810 SG24, SMX4, SMXE	
			MARK, OPERATOR CAUTION (PICTOGRAPH) (MADE IN JAPAN)	-	-	(0)	-	87516-ZH7-810 QXC9, TXC9, VG29	
	3	87521-Z4M-000	EMBLEM (GX160).....	-	-	1	-	87521-ZH8-040 QXC9, SG24, SMX4, SMXE, TXC9, VG29	
	4	87528-Z4M-000	MARK, CHOKE.....	-	-	1	-	87528-ZH7-000 QXC9, SG24, SMX4, SMXE, TXC9, VG29	
	5	87532-ZH7-000	MARK, THROTTLE INDICATION.....	-	-	1	-	SMX4, SMXE	
	9		LABEL, AIR CLEANER CAUTION....	-	-	0	-	87534-ZE1-841 QXC9, TXC9, VG29	
	12	87519-Z4H-000	MARK, OPERATOR CAUTION (PICTOGRAPH)	-	-	1	-	SG24, SMXE, VG29	
	13	87539-Z4M-000	MARK, EX. CAUTION (ENGLISH)....	-	-	1	-	QXC9, SMX4, TXC9	
E-29	1	89216-Z0T-800	WRENCH, SPARK PLUG.....	-	-	1	-	SMX4, SMXE	
	2	89219-805-000	HANDLE, BOX WRENCH.....	-	-	1	-	SMX4, SMXE	

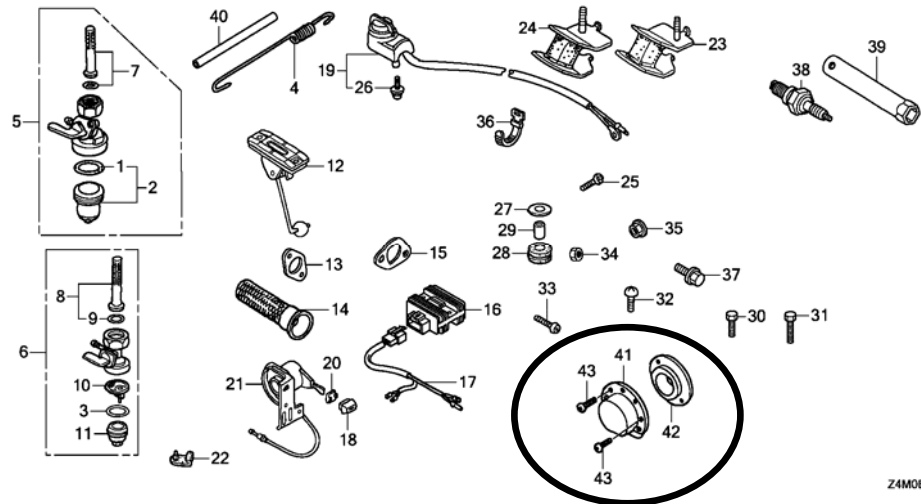
NOTE A:PART NO. CHANGE D:NEWLY PROVIDED E:PART NO.DELETION K:REQUIRED NO. CORRECTION L:APPLICATION SERIAL NO. CORRECTION
T:APPLICATION CORRECTION Z:REMARKS CHANGE

PARTS CATALOGUE NEWS

BOOKNo. : 13Z4M603

Block No.	Ref. No.	Part No.	Description	Reqd. QTY				Base Part No.	Parts catalogue code
				GX 160 UT1	GX 160 RT1	GX 160 UT2	GX 160 RT2		
E-40	18		MARK, OPERATOR CAUTION (FRENCH) (MADE IN THAI)	-	-	0	-	87516-Z4H-800	QXC9, SG24, SMX4, SMXE, TXC9, VG29
	19	87516-Z4H-010	MARK, OPERATOR CAUTION (ENGLISH) (MADE IN THAI)	-	-	1	-		SG24, SMXE, VG29
		87516-Z4H-801	MARK, OPERATOR CAUTION (FRENCH) (MADE IN THAI)	-	-	1	-		QXC9, SG24, SMX4, SMXE, TXC9, VG29
	20	87519-Z4H-000	MARK, OPERATOR CAUTION (PICTOGRAPH)	-	-	1	-		QXC9, SMX4, TXC9
	21	87539-Z4M-000	MARK, EX. CAUTION (ENGLISH)	-	-	1	-		SG24, SMXE, VG29
	22	87539-Z4M-800	MARK, EX. CAUTION (PICTOGRAPH) .	-	-	1	-		QXC9, SMX4, TXC9
	25	87539-Z4M-810	MARK, EX. CAUTION (FRENCH)	-	-	1	-		QXC9, SG24, SMX4, SMXE, TXC9, VG29

E-40-2 OTHER PARTS (3)



E-40-2	31	92101-08025-0A	BOLT, HEX., 8X25.	-	-	1	-		SMX4, SMXE
	41	18331-883-810	CAP, MUFFLER.	-	-	1	-		QXC9, SG24, VG29
		18340-ZE1-010	DEFLECTOR COMP.	-	-	1	-		SMX4, SMXE

NOTE A:PART NO. CHANGE D:NEWLY PROVIDED E:PART NO.DELETION K:REQUIRED NO. CORRECTION L:APPLICATION SERIAL NO. CORRECTION
T:APPLICATION CORRECTION Z:REMARKS CHANGE

PARTS CATALOGUE NEWS

BOOKNo. : 13Z4M603

Block No.	Ref. No.	Part No.	Description	Reqd. QTY				Base Part No.	Parts catalogue code
				GX 160 UT1	GX 160 RT1	GX 160 UT2	GX 160 RT2		
	42	18522-ZE1-000	GUIDE, MUFFLER.....	-	-	1	-	SMX4, SMXE	
	43	90002-Z0T-800	SCREW, TAPPING, 4X8.....	-	-	2	-	SMX4, SMXE	
		90055-ZE1-000	SCREW, TAPPING, 4X6.....	-	-	2	-	QXC9, SG24, VG29	
EOP-1	1	17233-896-701	COLLAR, AIR CLEANER CASE.....	-	-	(4)	-	SG24, VG29	
	2	18433-ZH8-W40	COVER COMP., MUFFLER.....	-	-	(2)	-	SG24, VG29	
	3	18434-ZH8-W40	COVER COMP., RR. MUFFLER.....	-	-	(2)	-	SG24, VG29	
	4	18436-ZH8-W41	BASE COMP., MUFFLER COVER.....	-	-	(1)	-	18436-ZH8-W40 SG24, SMX4, SMXE, VG29	
	5	18466-ZH8-W40	SPACER, MUFFLER COVER.....	-	-	(6)	-	SG24, VG29	
	6	90050-ZE1-000	SCREW, TAPPING, 5X8.....	-	-	(2)	-	SG24, VG29	
	7	90050-ZH8-W40	SCREW, TAPPING, 5X25.....	-	-	(4)	-	SG24, VG29	
	8	90302-KF9-900	NUT, HEX., 5MM.....	-	-	(6)	-	SG24, VG29	
	9	93891-06020-07	SCREW-WASHER, 6X20.....	-	-	(6)	-	SG24, VG29	
	10	94103-05700	WASHER, PLAIN, 5MM.....	-	-	(6)	-	SG24, VG29	

NOTE A:PART NO. CHANGE D:NEWLY PROVIDED E:PART NO.DELETION K:REQUIRED NO. CORRECTION L:APPLICATION SERIAL NO. CORRECTION
T:APPLICATION CORRECTION Z:REMARKS CHANGE



PARTS CATALOGUE NEWS

Honda Motor Co., Ltd.
 Customer Service Technology Development Division
PARTS CATALOGUE - CORRECTED

Printed in Japan

CODE NO.	13Z4M603
PARTS CATALOGUE NEWS	GX160UT1 GX160RT1 GX160UT2 GX160RT2
NEWS NO.	005

Block No.	Ref. No.	Note	Part No.	Description	Reqd. QTY				Serial No.	Parts catalogue code	
					GX 160 UT1	GX 160 RT1	GX 160 UT2	GX 160 RT2			
E-14	10	E	16100-Z4M-931	*PART NO. DELETION							
		T	16100-Z4M-932	CARBURETOR ASSY. (BE66U A).....	-	-	1	-	-----	-----	QMC6, SD16, WKS, WMBO
	11	E	16166-Z4M-921	*PART NO. DELETION							
		T	16166-Z4M-922	NOZZLE, MAIN.....	-	-	1	-	-----	-----	QMC6, SD16, WKS, WMBO
E-14-1	10	T	16100-Z4M-911	CARBURETOR ASSY. (BE54C A).....	-	-	1	1	-----	-----	QBC2, QBM2, QMC8, QMD6, QMX2, QWA4, QX9, RHG4, S1CY, SG24 SMC7, SMC9, SSM2, SWG4, SX9, VSD9, VXE9
		T	16100-Z4M-921	CARBURETOR ASSY. (BE54C A).....	-	-	1	1	-----	-----	HH26, HHQ4, HX2, HX4, HXE8, LHN4, LHQ4, LX2, LX4, LXM2, PXU QAX2, QAX4, QGR9, QH26, QHG4, QHQ4, QPU, QWX2, QX2, QX4, QXE2, QXE5, QXE8, QXM2, QXS2, QXU, QXWE, RH2, RHQ4, RX4, RXE2, RXU, SHQ4, SHRY, SMW2, SWX2, SX4, SXE5, SXS4, SXU, TX2 TX4, TXDU, UXU, VA2, VGE4, VGE5, VHH4, VX2, VXU1, WKT2,
		D	16100-Z4M-941	CARBURETOR ASSY. (BE54M A).....	-	-	1	-	-----	-----	QMP4
		D	16100-Z4M-951	CARBURETOR ASSY. (BE54N A).....	-	-	1	-	-----	-----	QA2, QME4
	12	T	16166-Z4M-911	NOZZLE, MAIN.....	-	-	1	1	-----	-----	QBC2, QBM2, QMC8, QMD6, QMX2, QWA4, QX9, RHG4, S1CY, SG24 SMC7, SMC9, SSM2, SWG4, SX9, VSD9, VXE9
		T	16166-Z4M-921	NOZZLE, MAIN.....	-	-	1	1	-----	-----	HH26, HHQ4, HX2, HX4, HXE8, LHN4, LHQ4, LX2, LX4, LXM2, PXU QAX2, QAX4, QGR9, QH26, QHG4, QHQ4, QPU, QWX2, QX2, QX4, QXE2, QXE5, QXE8, QXM2, QXS2, QXU, QXWE, RH2, RHQ4, RX4, RXE2, RXU, SHQ4, SHRY, SMW2, SWX2, SX4, SXE5, SXS4, SXU, TX2 TX4, TXDU, UXU, VA2, VGE4, VGE5, VHH4, VX2, VXU1, WKT2,

NOTE A:PART NO. CHANGE D:NEWLY PROVIDED E:PART NO.DELETION K:REQUIRED NO. CORRECTION L:APPLICATION SERIAL NO. CORRECTION
 T:APPLICATION CORRECTION Z:REMARKS CHANGE

PARTS CATALOGUE NEWS

BOOKNo. : 13Z4M603

Block No.	Ref. No.	Note	Part No.	Description	Reqd. QTY				Serial No.	Parts catalogue code
					GX 160 UT1	GX 160 RT1	GX 160 UT2	GX 160 RT2		
		D	16166-Z4M-941	-	-	1	-	-----	QA2, QME4, QMP4
	29	T	99101-ZH8-0620	JET, MAIN, #62.....	(1)	-	-	-	-----	QXC4, QXC9, TXC9, VG29 HH26, HXE8, LHN4, LHQ4, LX2, LX4, PXU, QAX4, QGR9, QH26, QHG4, QHQ4, QPU, QWX2, QX2, QX4, QXE2, QXE5, QXE8, QXS2, QXU, QXWE, RXE2, RXU, SG24, SHQ4, SHRY, SMW2, SMX4, SMXE, SWX2, SX4, SXE5, SXU, TX2, TX4, UXU, VA2, VGE4, VGE5, VHH4, VX2 VXU1,
	29	T	99101-ZH8-0680	JET, MAIN, #68.....	1	-	-	-	-----	QXC4, QXC9, TXC9, VG29, HH26, HHQ4, HX2, HX4, HXE8, LHN4, LHQ4, LX2, LX4, LXM2, PXU, QAX2, QAX4, QGR9, QH26, QHG4, QHQ4, QPU, QWX2, QX2, QX4, QXE2, QXE5, QXE8, QXM2, QXS2, QXU, QXWE, RH2, RHQ4, RX4, RXE2, RXU, SHQ4, SHRY, SMW2, SMX4, SMXE, SWX2, SX4, SXE5, SXS4, SXU, TX2, TX4, TXDU, UXU, VA2, VGE4, VGE5, VHH4, VX2 VXU1, WKT2,
		T	99101-ZH8-0700	JET, MAIN, #70.....	-	-	1	1	-----	QA2, QBC2, QBM2, QMC8, QMD6, QME4, QMP4, QMX2, QWA4, QX9, QXC9, RHG4, S1CY, SG24, SMC7, SMC9, SSS2, SWG4, SX9, TXC9, VG29, VSD9, VXE9

NOTE A:PART NO. CHANGE D:NEWLY PROVIDED E:PART NO.DELETION K:REQUIRED NO. CORRECTION L:APPLICATION SERIAL NO. CORRECTION
T:APPLICATION CORRECTION Z:REMARKS CHANGE

December 25, 2011



PARTS CATALOGUE NEWS

Honda Motor Co., Ltd.

Customer Service Technology Development Division

PARTS CATALOGUE - CORRECTED

Printed in Japan

CODE NO.	13Z4M603
PARTS CATALOGUE NEWS	GX160UT1 GX160RT1 GX160UT2 GX160RT2
NEWS NO.	006

Block No.	Ref. No.	Note	Part No.	Description	Reqd. QTY				Serial No.	Parts catalogue code
					GX 160 UT1	GX 160 RT1	GX 160 UT2	GX 160 RT2		
E-8	1	T	13010-Z4M-801	RING SET, PISTON (STD.) (RIKEN).	-	-	1	1		
		T	13010-Z4M-802	RING SET, PISTON (STD.) (TEIKOKU)	-	-	1	1		

NOTE A:PART NO. CHANGE D:NEWLY PROVIDED E:PART NO.DELETION K:REQUIRED NO. CORRECTION L:APPLICATION SERIAL NO. CORRECTION
T:APPLICATION CORRECTION Z:REMARKS CHANGE



PARTS CATALOGUE NEWS

Honda Motor Co., Ltd.
Customer Service Technology Development Division

Printed in Japan

CODE NO.	13Z4M603
PARTS CATALOGUE NEWS	GX160UT1 GX160RT1 GX160UT2 GX160RT2
NEWS NO.	007

GX160UT2-WMT4 TYPE sales parts information

NOTE: This Parts Catalogue News explains only the parts of the different model that are produced to conform to addition of the GX160UT2-WMT4 type.

As for the parts not listed on this Parts Catalogue News, use the parts of the GX160UT2-WKT2 type.

• Models, parts catalogue codes and applicable serial numbers

Model	Type		Parts catalogue type	Applicable engine serial No.	Applicable carburetor identification No.
GX160UT2	WKT2	Base type	WKT2	GCBPT-1000001~	BE54D A
	WMT4	Additional type	WMT4		BE66U A

NOTE A:PART NO. CHANGE D:NEWLY PROVIDED E:PART NO.DELETION K:REQUIRED NO. CORRECTION L:APPLICATION SERIAL NO. CORRECTION
T:APPLICATION CORRECTION Z:REMARKS CHANGE

• Features of each type		Base type	Additional type
Model		GX160UT2	
Specifications		Type	
		WKT2	WMT4
Crankshaft	20mm Ø Spline		
	21mm Ø Pinion		
	20mm Ø Straight		
	19.05mm Ø Straight		
	3/16" Tapered		
	1/5" Tapered		
	3/4" Thread		
	M16 Thread		
	M18 Thread	●	●
	1/2" Thread		
	5/8" Thread		
Oil alert unit		●	●
Engine stop switch		●	●
Engine stop switch (~1654685)			
Air cleaner	Dual		
	Semi dry	●	●
	Oil bath		
	Standard		
	Cyclone		
Spark arrester		●	●
Fuel tank		●	●
Coil	Lamp coil		
	Charge coil		
Starter motor			
Reduction			
Muffler cover			

PARTS CATALOGUE NEWS

BOOKNo. : 13Z4M603

Block No.	Ref. No.	Part No.	Description	Reqd. QTY				Base Part No.	Parts catalogue code
				GX 160 UT1	GX 160 RT1	GX 160 UT2	GX 160 RT2		
E-2	15	98079-55855	PLUG, SPARK (W16EPR-U) (DENSO)..	-	-	(1)	-	WMT4	
		98079-56855	PLUG, SPARK (W20EPR-U) (DENSO)..	-	-	1	-	WMT4	
E-3	3	16510-ZH8-940	GOVERNOR ASSY.	-	-	1	-	16510-Z4M-000 WMT4	
	4	16511-ZH8-940	WEIGHT, GOVERNOR.	-	-	2	-	16511-Z4M-000 WMT4	
	5	16512-ZE1-000	HOLDER, GOVERNOR WEIGHT.	-	-	1	-	16512-Z4M-000 WMT4	
E-8	4	13210-Z4M-305	ROD COMP., CONNECTING (UNDER SIZE)	-	-	(1)	-	WMT4	
E-9	2	14100-Z4M-820	CAMSHAFT ASSY.	-	-	1	-	14100-Z4M-000 WMT4	
	10	14751-ZH8-940	SPRING, VALVE.	-	-	2	-	14751-ZF1-000 WMT4	
E-11	1	28400-Z4M-305ZB	STARTER ASSY., RECOIL (COO) *R280*. POWER RED	-	-	1	-	28400-Z4M-003ZA WMT4	
			STARTER ASSY., RECOIL *NH1*. BLACK	-	-	0	-	28400-Z4M-003ZC WMT4	
	2	CASE COMP., RECOIL STARTER *NH1*. BLACK	-	-	0	-	28410-Z4M-003ZD WMT4		
	15	28461-Z4M-305	KNOB, RECOIL STARTER (COO).....	-	-	1	-	28461-Z4M-003 WMT4	
E-12	1	COVER COMP., FAN *NH1*. BLACK	-	-	0	-	19610-Z4M-000ZB WMT4		
E-14	1	16010-ZE0-025	GASKET SET.	-	-	1	-	WMT4	
	2	16011-ZE0-005	VALVE SET, FLOAT.	-	-	1	-	WMT4	
	3	16013-Z0S-B01	FLOAT SET.	-	-	1	-	WMT4	
	4	16015-Z4M-911	CHAMBER SET, FLOAT.	-	-	1	-	WMT4	
	5	16016-ZH7-W01	SCREW SET, PILOT.	-	-	1	-	WMT4	
	6	16024-Z5T-901	SCREW SET, DRAIN.	-	-	1	-	WMT4	
	7	16028-Z5T-901	SCREW SET.	-	-	1	-	WMT4	
	8	16044-Z4M-911	CHOKE SET.	-	-	1	-	WMT4	
	9	16100-Z4M-932	CARBURETOR ASSY. (BE66U A).....	-	-	1	-	WMT4	

NOTE A:PART NO. CHANGE D:NEWLY PROVIDED E:PART NO.DELETION K:REQUIRED NO. CORRECTION L:APPLICATION SERIAL NO. CORRECTION
T:APPLICATION CORRECTION Z:REMARKS CHANGE

PARTS CATALOGUE NEWS

BOOKNo. : 13Z4M603

Block No.	Ref. No.	Part No.	Description	Reqd. QTY				Base Part No.	Parts catalogue code
				GX 160 UT1	GX 160 RT1	GX 160 UT2	GX 160 RT2		
	10	16124-ZE0-005	SCREW, THROTTLE STOP.....	-	-	1	-	WMT4	
	11	16166-Z4M-922	NOZZLE, MAIN.....	-	-	1	-	WMT4	
	12	16211-Z4M-000	INSULATOR, CARBURETOR.....	-	-	1	-	WMT4	
	13	16212-ZH8-800	PACKING, INSULATOR.....	-	-	1	-	WMT4	
	14	16220-ZE1-020	SPACER COMP., CARBURETOR.....	-	-	1	-	WMT4	
	15	16221-ZH8-801	PACKING, CARBURETOR.....	-	-	1	-	WMT4	
	16	16610-ZE1-000	LEVER COMP., CHOKE (STD.).....	-	-	1	-	WMT4	
	17	16953-ZE1-812	LEVER, COCK.....	-	-	1	-	WMT4	
	18	16954-ZE1-812	PLATE, LEVER SETTING.....	-	-	1	-	WMT4	
	19	16956-ZE1-811	SPRING, COCK LEVER.....	-	-	1	-	WMT4	
	20	16957-ZE1-812	PACKING, FUEL COCK.....	-	-	1	-	WMT4	
	21	93500-03006-1H	SCREW, PAN, 3X6.....	-	-	2	-	WMT4	
	22	94305-20122	PIN, SPRING, 2X12.....	-	-	1	-	WMT4	
	23	99101-ZH8-0620	JET, MAIN, #62.....	-	-	(1)	-	WMT4	
		99101-ZH8-0650	JET, MAIN, #65.....	-	-	(1)	-	WMT4	
		99101-ZH8-0680	JET, MAIN, #68.....	-	-	1	-	WMT4	
	24	99204-ZE0-0350	JET SET, PILOT, #35.....	-	-	1	-	WMT4	
E-14-1	1		GASKET SET.....	-	-	0	-	16010-ZE1-812 WMT4	
	2		VALVE SET, FLOAT.....	-	-	0	-	16011-ZE0-005 WMT4	
	3		FLOAT SET.....	-	-	0	-	16013-ZOS-B01 WMT4	
	4		CHAMBER SET, FLOAT.....	-	-	0	-	16015-Z4M-911 WMT4	
	6		SCREW SET, PILOT.....	-	-	0	-	16016-ZH7-W01 WMT4	
	7		SCREW SET, DRAIN.....	-	-	0	-	16024-Z5T-901 WMT4	
	8		SCREW SET.....	-	-	0	-	16028-Z5T-901 WMT4	

NOTE A:PART NO. CHANGE D:NEWLY PROVIDED E:PART NO.DELETION K:REQUIRED NO. CORRECTION L:APPLICATION SERIAL NO. CORRECTION
T:APPLICATION CORRECTION Z:REMARKS CHANGE

PARTS CATALOGUE NEWS

BOOKNo. : 13Z4M603

Block No.	Ref. No.	Part No.	Description	Reqd. QTY				Base Part No.	Parts catalogue code
				GX 160 UT1	GX 160 RT1	GX 160 UT2	GX 160 RT2		
	9		CHOKE SET.....	-	-	0	-	16044-Z4M-911	WMT4
	10		CARBURETOR ASSY. (BE54D A)....	-	-	0	-	16100-Z4M-922	WMT4
	11		SCREW, THROTTLE STOP.....	-	-	0	-	16124-ZE0-005	WMT4
	12		NOZZLE, MAIN.....	-	-	0	-	16166-Z4M-922	WMT4
	13		PACKING, FUEL STRAINER CUP....	-	-	0	-	16173-001-004	WMT4
	14		INSULATOR, CARBURETOR.....	-	-	0	-	16211-Z4M-000	WMT4
	15		PACKING, INSULATOR.....	-	-	0	-	16212-ZH8-800	WMT4
	16		SPACER COMP., CARBURETOR.....	-	-	0	-	16220-ZE1-020	WMT4
	17		PACKING, CARBURETOR.....	-	-	0	-	16221-ZH8-801	WMT4
	18		LEVER COMP., CHOKE (STD.).....	-	-	0	-	16610-ZE1-000	WMT4
	20		LEVER, COCK.....	-	-	0	-	16953-ZE1-812	WMT4
	21		PLATE, LEVER SETTING.....	-	-	0	-	16954-ZE1-812	WMT4
	22		SPRING, COCK LEVER.....	-	-	0	-	16956-ZE1-811	WMT4
	23		PACKING, FUEL COCK.....	-	-	0	-	16957-ZE1-812	WMT4
	24		CUP, FUEL STRAINER.....	-	-	0	-	16967-ZE0-811	WMT4
	25		SCREW, PAN, 3X6.....	-	-	0	-	93500-03006-1H	WMT4
	26		PIN, SPRING, 2X12.....	-	-	0	-	94305-20122	WMT4
	29		JET, MAIN, #68.....	-	-	0	-	99101-ZH8-0680	WMT4
			JET, MAIN, #65.....	-	-	(0)	-	99101-ZH8-0650	WMT4
			JET, MAIN, #68.....	-	-	(0)	-	99101-ZH8-0680	WMT4
	30		JET SET, PILOT, #35.....	-	-	0	-	99204-ZE0-0350	WMT4
	43		FILTER, CUP.....	-	-	0	-	16959-Z5T-901	WMT4
E-17	3	17510-ZE1-030ZA	TANK COMP., FUEL *NH31*..... MCKINLEY WHITE	-	-	1	-		WMT4
	13	17620-Z4H-030	CAP COMP., FUEL FILLER.....	-	-	1	-	17620-Z4M-000	WMT4

NOTE A:PART NO. CHANGE D:NEWLY PROVIDED E:PART NO.DELETION K:REQUIRED NO. CORRECTION L:APPLICATION SERIAL NO. CORRECTION
T:APPLICATION CORRECTION Z:REMARKS CHANGE

PARTS CATALOGUE NEWS

BOOKNo. : 13Z4M603

Block No.	Ref. No.	Part No.	Description	Reqd. QTY				Base Part No.	Parts catalogue code
				GX 160 UT1	GX 160 RT1	GX 160 UT2	GX 160 RT2		
	14		FILTER, FUEL.....	-	-	0	-	17672-Z4H-000	WMT4
	15		TANK COMP., FUEL *NH1*.....BLACK	-	-	0	-	17510-Z4M-000ZB	WMT4
E-22	2	16500-Z4M-305	CONTROL ASSY. (C00).....	-	-	1	-		WMT4
	3		CONTROL ASSY. (REMOTE/INTERNAL)	-	-	0	-	16500-Z4M-810	WMT4
	8	16561-ZH8-940	SPRING, GOVERNOR.....	-	-	1	-	16561-Z4M-000	WMT4
	14		HOLDER, CABLE.....	-	-	0	-	16576-891-000	WMT4
	16	16580-Z4M-000	BASE COMP., CONTROL.....	-	-	1	-	16580-Z4M-810	WMT4
	18		SPRING, CABLE RETURN.....	-	-	0	-	16592-ZE1-810	WMT4
	19		HOLDER, WIRE.....	-	-	0	-	16594-883-010	WMT4
	25		CIRCLIP, 5MM.....	-	-	0	-	90605-230-000	WMT4
	26		SCREW, PAN, 4X6.....	-	-	0	-	93500-04006-0H	WMT4
	27		SCREW, PAN, 5X16.....	-	-	0	-	93500-05016-0A	WMT4
E-28	12	87519-Z4H-000	MARK, OPERATOR CAUTION (PICTOGRAPH)	-	-	1	-	87516-Z4H-010	WMT4
	13		MARK, EX. CAUTION (ENGLISH)....	-	-	0	-	87539-Z4M-000	WMT4

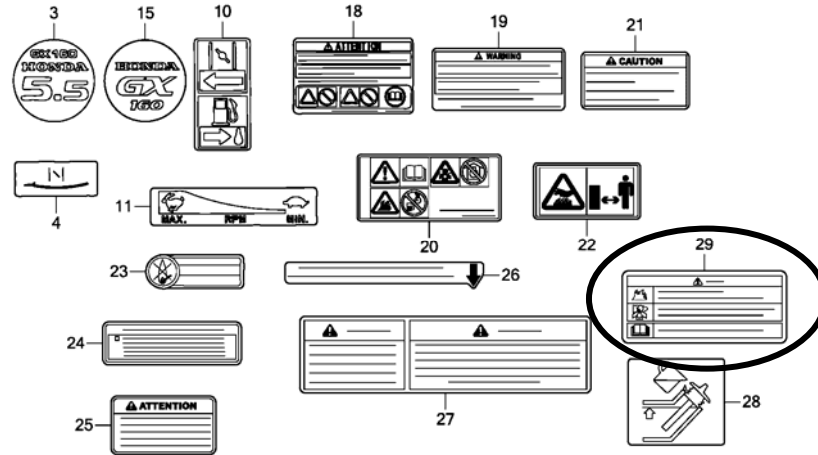
NOTE A:PART NO. CHANGE D:NEWLY PROVIDED E:PART NO.DELETION K:REQUIRED NO. CORRECTION L:APPLICATION SERIAL NO. CORRECTION
T:APPLICATION CORRECTION Z:REMARKS CHANGE

PARTS CATALOGUE NEWS

BOOKNo. :13Z4M603

Block No.	Ref. No.	Part No.	Description	Reqd. QTY				Base Part No.	Parts catalogue code
				GX 160 UT1	GX 160 RT1	GX 160 UT2	GX 160 RT2		

E-40 OTHER PARTS(1)



Z4M0E4000F

E-40	19	87516-Z4H-010	MARK, OPERATOR CAUTION (ENGLISH) (MADE IN THAI)	-	-	1	-		WMT4
	20		MARK, OPERATOR CAUTION (PICTOGRAPH)	-	-	0	-	87519-Z4H-000	WMT4
	21	87539-Z4M-000	MARK, EX. CAUTION (ENGLISH) . . .	-	-	1	-		WMT4
	22		MARK, EX. CAUTION (PICTOGRAPH) .	-	-	0	-	87539-Z4M-800	WMT4
	29	87516-ZK6-800	MARK, OPERATOR CAUTION (CHINESE)	-	-	1	-		WMT4

NOTE A:PART NO. CHANGE D:NEWLY PROVIDED E:PART NO.DELETION K:REQUIRED NO. CORRECTION L:APPLICATION SERIAL NO. CORRECTION
T:APPLICATION CORRECTION Z:REMARKS CHANGE



PARTS CATALOGUE NEWS

Honda Motor Co., Ltd.
 Customer Service Technology Development Division
PARTS CATALOGUE - CORRECTED

Printed in Japan

CODE NO.	13Z4M603
PARTS CATALOGUE NEWS	GX160UT1 GX160RT1 GX160UT2 GX160RT2
NEWS NO.	008

Block No.	Ref. No.	Note	Part No.	Description	Reqd. QTY				Serial No.	Parts catalogue code	
					GX 160 UT1	GX 160 RT1	GX 160 UT2	GX 160 RT2			
E-6	2	T	11300-ZE1-020	COVER ASSY., CRANKCASE.....	1	1	-	-	-----	RH2, RHG4, RHQ4, RTB2, RX4, RXE2, RXP2, RXU, SWX2	
					-	-	1	1	1037447	-----	RH2, RHG4, RHQ4, RX4, RXE2, RXU, SWX2
	T	11300-ZE1-634	1	1	-	-	-----	HH26, HHQ4, HX2, HX4, HXE8, HXU, SD16, SG22, SG24, SHQ4, SHQU, SMC7, SMC9, SSS2, SWG4, SX2, SX4, SX7, SX9, SXE4, SXE5, SXS, SXS2, SXS4, SXU, WKS, WKT2, WKT4, WKT6, WMBO		
				-	-	1	1	1043713	-----	EMAN, HH26, HHQ4, HX2, HX4, HXE8, S1CY, SD16, SG24, SHQ4, SHRY, SMC7, SMC9, SMW2, SMX4, SMXE, SSS2, SWG4, SX4, SX9, SXE5, SXS4, SXU, VES6, VWS, WKS, WKT2, WMBO	
T	11300-ZE1-642	1	-	-	-	-----	PXU, QA2, QA26, QAX2, QAX4, QBC2, QBM2, QBT6, QCB2, QCL, QGR9, QH26, QHG4, QHQ4, QHQU, QKA4, QMC6, QMC8, QMD6, QME4, QMP4, QMZ2, QNT, QNT4, QPU, QW24, QWA4, QWW2, QWX2, QX2, QX26, QX4, QX7, QX9, QXC4, QXC9, QXE2, QXE4, QXE5, QXE8, QXF2, QXP2, QXS2, QXU, QXW, QXWE, TCS2, TW24, TX2, TX26, TX4, TXC9, TXDU, TXU, UXU, VA2, VG24, VG29, VGE2, VGE4, VGE5, VHA9, VHH4, VMS4, VPM4, VPM5, VPM8, VPM9, VPMN, VPR4, VPR9, VS17, VS19, VSD, VSD1, VSD2, VSD7, VSD9, VWA2, VWW2, VWWN, VX2, VX4, VXE9, VXU1, VXW2			
					-	-	1	1	1051351	-----	PXU, QA2, QAX2, QAX4, QBC2, QBM2, QGR9, QH26, QHG4, QHQ4, QMC6, QMC8, QMD6, QME4, QMP4, QMX2, QPU, QWA4, QWX2, QX2, QX4, QX9, QXC9, QXE2, QXE5, QXE8, QXM2, QXS2, QXU, QXWE, TX2, TX4, TXC9, TXDU, UXU, VA2, VG29, VGE4, VGE5, VHH4, VPM5, VS19, VSD9, VWWN, VX2, VXE9, VXU1

NOTE A:PART NO. CHANGE D:NEWLY PROVIDED E:PART NO.DELETION K:REQUIRED NO. CORRECTION L:APPLICATION SERIAL NO. CORRECTION
 T:APPLICATION CORRECTION Z:REMARKS CHANGE

PARTS CATALOGUE NEWS

BOOKNo. : 13Z4M603

Block No.	Ref. No.	Note	Part No.	Description	Reqd. QTY				Serial No.	Parts catalogue code
					GX 160 UT1	GX 160 RT1	GX 160 UT2	GX 160 RT2		
E-8	2	L	13101-ZH8-020	PISTON (STD.).....	1	1	-	-	----- 2805809	HH26, HHQ4, HX2, HX4, HXE8, HXU, QAX2, QAX4, QBM2, QHG4, QHQ4, QKA4, QNT4, QXC4, QXC9, QXE4, QXE5, QXE8, QXP2, QXW, QXWE, RH2, RHG4, RHQ4, RTB2, RX4, RXE2, RXP2, RXU, SG22, SHQU, SSX2, SWG4, SX2, SXE4, SXE5, SXS, SXS2, TXC9, TXDU, UXU, VG29, VGE2, VPMN, VSD2, VWWN, WMBO
			13101-ZH8-020	1	-	-	-	1699490 2805809	LHQ4, LX2, LX26, LX4, LXU, PXU, QA2, QA26, QBC2, QBT6, QCB2, QCL, QGR9, QH26, QHQ4, QMC6, QMC8, QMD6, QME4, QMP4, QMZ2, QNT, QPU, QW24, QWA4, QWW2, QWX2, QX2, QX26, QX4, QX7, QX9, QXE2, QXF2, QXS2, QXU, SD16, SG24, SHQ4, SMC7, SMC9, SWX2, SX4, SX7, SX9, SXS4, SXU, TCS2, TW24, TX2, TX26, TX4, TXU, VA2, VG24, VGE4, VGE5, VHA9, VHH4, VMS4, VPM4, VPM5, VPM8, VPM9, VPR4, VPR9, VS17, VS19, VSD, VSD1, VSD7, VSD9, VWA2, VWW2, VX2, VX4, VXE9, VXU1, VXX2, WKS, WKT2, WKT4, WKT6
	T	13101-Z4M-000	PISTON.....	1	1	-	-	2805810 -----		
	4	D	13200-ZE1-020	ROD ASSY., CONNECTING (STD.)...	1	1	-	-	2988544 -----	
E-11	1	T	28400-Z4M-305ZB	STARTER ASSY., RECOIL (COO) (FOR U. S. A.) *R280*..... POWER RED	-	-	1	1	----- -----	HH26, HHQ4, HX2, HX4, HXE8, LHN4, LHQ4, LX2, LX4, LXM2, PXU, QA2, QAX2, QAX4, QBC2, QBM2, QGR9, QH26, QHG4, QHQ4, QMC6, QMC8, QMD6, QME4, QMP4, QPU, QWA4, QWX2, QX2, QX4, QX9, QXC9, QXE2, QXE5, QXE8, QXM2, QXS2, QXU, QXWE, RH2, RHG4, RHQ4, RX4, RXE2, RXU, S1CY, SD16, SG24, SHQ4, SHRY, SMC7, SMC9, SMW2, SMXE, SX4, SX9, SXE5, SXS4, SXU, TX2, TX4, TXC9, TXDU, UXU, VA2, VGE4, VHH4, VPM5, VS19, VSD9, VX2, VXE9, VXU1, WKS, WKT2, WMBO, WMT4
			T	28400-Z4M-305ZD	*NH1*..... BLACK	-	-	1	1	----- -----
	15	T	28461-Z4M-305	KNOB, RECOIL STARTER (COO) (FOR U. S. A.)	-	-	1	1	----- -----	EMAN, HH26, HHQ4, HX2, HX4, HXE8, LHN4, LHQ4, LX2, LX4, LXM2, PXU, QA2, QAX2, QAX4, QBC2, QBM2, QGR9, QH26, QHG4, QHQ4, QMC6, QMC8, QMD6, QME4, QMP4, QMX2, QPU, QWA4, QWX2, QX2, QX4, QX9, QXC9, QXE2, QXE5, QXE8, QXM2, QXS2, QXU, QXWE, RH2, RHG4, RHQ4, RX4, RXE2, RXU, S1CY, SD16, SG24, SHQ4, SHRY, SMC7, SMC9, SMW2, SMX4, SMXE, SSX2, SWX2, SX4, SX9, SXE5, SXS4, SXU, TX2, TX4, TXC9, TXDU, UXU, VA2, VES6, VGE4, VHH4, VPM5, VS19, VSD9, VWWN, VX2, VXE9, VXU1, WKS, WKT2, WMBO, WMT4
E-14	9	E	16100-Z4M-931	*PART NO. DELETION						

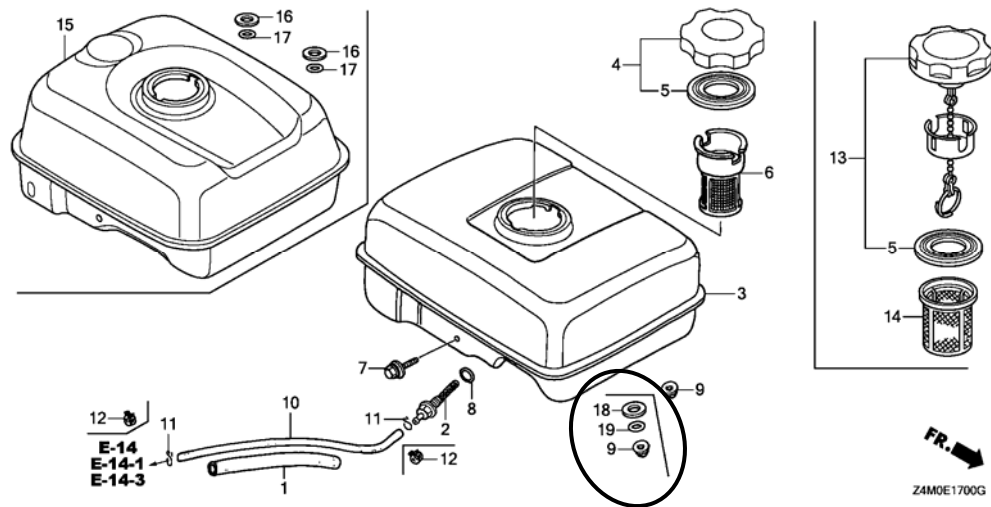
NOTE A:PART NO. CHANGE D:NEWLY PROVIDED E:PART NO.DELETION K:REQUIRED NO. CORRECTION L:APPLICATION SERIAL NO. CORRECTION
T:APPLICATION CORRECTION Z:REMARKS CHANGE

PARTS CATALOGUE NEWS

BOOKNo. : 13Z4M603

Block No.	Ref. No.	Note	Part No.	Description	Reqd. QTY				Serial No.	Parts catalogue code
					GX 160 UT1	GX 160 RT1	GX 160 UT2	GX 160 RT2		
		D	16100-Z4M-932	CARBURETOR ASSY. (BE66U A).....	-	-	1	-	-----	QMC6, SD16, WKS, WMBO, WMT4
	10	E	16100-Z4M-932	*PART NO. DELETION						
E-14-1	10	E	16100-Z4M-921	*PART NO. DELETION						
		T	16100-Z4M-922	CARBURETOR ASSY. (BE54D A)	-	-	1	1	-----	HH26, HHQ4, HX2, HX4, HXE8, LHN4, LHQ4, LX2, LX4, LXM2, PXU QAX2, QAX4, QGR9, QH26, QHG4, QHQ4, QPU, QWX2, QX2, QX4 QXE2, QXE5, QXE8, QXM2, QXS2, QXU, QXWE, RH2, RHQ4, RX4 RXE2, RXU, SHQ4, SHRY, SMW2, SMX4, SMXE, SWX2, SX4, SXE5 SXS4, SXU, TX2, TX4, TXDU, UXU, VA2, VGE4, VGE5, VHH4, VX2 VXU1, WKT2
	12	E	16166-Z4M-921	*PART NO. DELETION						
		T	16166-Z4M-922	NOZZLE, MAIN.....	-	-	1	1	-----	HH26, HHQ4, HX2, HX4, HXE8, LHN4, LHQ4, LX2, LX4, LXM2, PXU QAX2, QAX4, QGR9, QH26, QHG4, QHQ4, QPU, QWX2, QX2, QX4 QXE2, QXE5, QXE8, QXM2, QXS2, QXU, QXWE, RH2, RHQ4, RX4 RXE2, RXU, SHQ4, SHRY, SMW2, SMX4, SMXE, SWX2, SX4, SXE5 SXS4, SXU, TX2, TX4, TXDU, UXU, VA2, VGE4, VGE5, VHH4, VX2 VXU1, WKT2

E-17 FUEL TANK



NOTE A:PART NO. CHANGE D:NEWLY PROVIDED E:PART NO.DELETION K:REQUIRED NO. CORRECTION L:APPLICATION SERIAL NO. CORRECTION T:APPLICATION CORRECTION Z:REMARKS CHANGE

PARTS CATALOGUE NEWS

BOOKNo. : 13Z4M603

Block No.	Ref. No.	Note	Part No.	Description	Reqd. QTY				Serial No.	Parts catalogue code			
					GX 160 UT1	GX 160 RT1	GX 160 UT2	GX 160 RT2					
E-17	3	T	17510-ZE1-030ZA	TANK COMP., FUEL *NH31*.....MCKINLEY WHITE	-	-	1	-	1041307 -----	HH26, HHQ4, HX2, HX4, HXE8, LHN4, LHQ4, LX2, LX4, LXM2, PXU QA2, QAX2, QAX4, QBC2, QBM2, QGR9, QH26, QHQ4, QMC6, QMC8 QMD6, QME4, QMP4, QPU, QWA4, QWX2, QX2, QX4, QX9, QXC9, QXE2 QXE5, QXE8, QXM2, QXS2, QXU, QXWE, RH2, RHQ4, RX4, RXE2, RXU S1CY, SD16, SG24, SHQ4, SHRY, SMC7, SMC9, SMW2, SX4, SX9 SXE5, SXS4, SXU, TX2, TX4, TXC9, TXDU, UXU, VA2, VSD9, VX2 VXE9, VXU1, WKS, WKT2, WMBO			
				-	-	1	-	1041804 -----	SMXE				
				-	-	1	-	-----	WMT4				
				-	-	1	-	1041307 -----	HH2, LX2, PXU, QA2, QBC2, QBM2, QGR9, QH26, QHQ4, QMC6, QMC8 QMD6, QME4, QPU, QWA4, QWX2, QX2, QX4, QX9, QXC9, QXE2, QXS2 QXU, RH2, SD16, SG24, SHQ4, SMC7, SMC9, SSS2, SWX2, SX4, SX9 SXS4, SXU, TX2, TX4, VA2, VG29, VX2, VXU1, WKS, WKT2				
	13	E		17620-Z4M-000	*PART NO. DELETION	-	-	1	-	1041804 -----	QMX2, SMX4, SMXE		
					L	17620-Z4H-010	CAP COMP., FUEL FILLER.....	1	-	-	-	-----	2125381
							1	-	-	-	1991088	2125381	LHQ4, LX2, LX26, LX4, LXU, PXU, QA2, QA26, QBC2, QBT6, QCB2 QGR9, QH26, QHQ4, QMC6, QMC8, QMD6, QME4, QMP4, QMZ2, QNT QPU, QW24, QWA4, QWW2, QWX2, QX2, QX26, QX4, QX7, QX9, QXE2 QXF2, QXS2, QXU, SD16, SG24, SHQ4, SMC7, SMC9, SWX2, SX4 SX7, SX9, SXS4, SXU, TW24, TX2, TX26, TX4, TXU, VA2, VG24 VMS4, VSD, VSD7, VSD9, VWA2, VX2, VX4, VXE9, VXU1, WKS, WKT2 WKT4, WKT6
		T	17620-Z4H-020	1	-	-	-	-----	-----	HH26, HHQ4, HX2, HX4, HXE8, HXU, QAX2, QAX4, QBM2, QHQ4 QKA4, QNT4, QXC4, QXC9, QXE4, QXE5, QXE8, QXP2, QXW, QXWE RH2, RHQ4, RTB2, RX4, RXE2, RXP2, RXU, SG22, SHQ4, SSS2, SX2 SXE4, SXE5, SXS, SXS2, TXC9, UXU, VG29, VSD2, WMBO		
					1	-	-	-	2125382	-----	LHQ4, LX2, LX26, LX4, LXU, PXU, QA2, QA26, QBC2, QBT6, QCB2 QGR9, QH26, QHQ4, QMC6, QMC8, QMD6, QME4, QMP4, QMZ2, QNT QPU, QW24, QWA4, QWW2, QWX2, QX2, QX26, QX4, QX7, QX9, QXE2 QXF2, QXS2, QXU, SD16, SG24, SHQ4, SMC7, SMC9, SWX2, SX4 SX7, SX9, SXS4, SXU, TW24, TX2, TX26, TX4, TXDU, TXU, VA2 VG24, VMS4, VSD, VSD7, VSD9, VWA2, VX2, VX4, VXE9, VXU1, WKS WKT2, WKT4, WKT6		

NOTE A:PART NO. CHANGE D:NEWLY PROVIDED E:PART NO.DELETION K:REQUIRED NO. CORRECTION L:APPLICATION SERIAL NO. CORRECTION
T:APPLICATION CORRECTION Z:REMARKS CHANGE

PARTS CATALOGUE NEWS

BOOKNo. : 13Z4M603

Block No.	Ref. No.	Note	Part No.	Description	Reqd. QTY				Serial No.	Parts catalogue code	
					GX 160 UT1	GX 160 RT1	GX 160 UT2	GX 160 RT2			
					-	-	1	-	-----	HH26, HHQ4, HX2, HX4, HXE8, LHN4, LHQ4, LX2, LX4, LXM2, PXU QA2, QAX2, QAX4, QBC2, QBM2, QGR9, QH26, QHQ4, QMC6, QMC8 QMD6, QME4, QMP4, QMX2, QPU, QWA4, QWX2, QX2, QX4, QX9, QXE2 QXE5, QXE8, QXM2, QXS2, QXU, QXWE, RH2, RHQ4, RX4, RXE2, RXU S1CY, SD16, SHQ4, SHRY, SMC7, SMC9, SMW2, SSSX2, SWX2, SX4 SX9, SXE5, SXS4, SXU, TX2, TX4, TXDU, UXU, VA2, VSD9, VX2 VXE9, VXU1, WKS, WKT2, WMBO	
	18	D	90404-680-000	WASHER, 6.5X25X1.5.....	-	-	2	-	1041804	-----	QMX2, SMX4, SMXE
	19	D	91319-ME5-003	O-RING, 5.5X1.4.....	-	-	2	-	1041804	-----	QMX2, SMX4, SMXE
E-22	1	D	16500-Z4M-309	CONTROL ASSY. (NORTON) (COO) (FOR U. S. A.)	-	-	1	-	-----	-----	SHRY, SMX4, SMXE
	2	D	16500-Z4M-305	CONTROL ASSY. (COO) (FOR U. S. A.)	-	-	1	-	-----	-----	PXU, TX2, TX4, TXDU, UXU, VA2, VX2, VXE9, WKS, WMBO, WMT4
	3	D	16500-Z4M-306	CONTROL ASSY. (REMOTE INTL) (COO) (FOR U. S. A.)	-	-	1	-	-----	-----	LHN4, QBC2, QBM2, QMC8, QMD6, QME4, QMP4, QMX2, QWA4, S1CY SG24, SMC7, SMC9, SMW2, WKT2
		E	16500-Z4M-309	*PART NO. DELETION							
	4	D	16500-Z4M-307	CONTROL ASSY. (REMOTE) (COO) (FOR U. S. A.)	-	-	1	1	-----	-----	HH26, HHQ4, HX2, HX4, HXE8, LHQ4, LX2, LX4, LXM2, QA2, QAX2 QAX4, QGR9, QH26, QHG4, QHQ4, QMC6, QPU, QWX2, QX2, QX4, QX9 QXE2, QXE5, QXE8, QXM2, QXS2, QXU, RH2, RHG4, RHQ4, RX4 RXE2, RXU, SD16, SHQ4, SSSX2, SWX2, SX4, SX9, SXE5, SXS4, SXU
	31	D	16500-Z4M-406	CONTROL ASSY. (REMOTE INTL-S) (COO) (FOR U. S. A.)	-	-	1	1	-----	-----	QXWE, SWG4
E-40-2	12	L	17505-ZB2-003	METER ASSY., FUEL.....	-	-	-	1	-----	1073244	VWS
		T	17630-Z8V-003	-	-	-	1	-----	1073245	VWS

NOTE A:PART NO. CHANGE D:NEWLY PROVIDED E:PART NO.DELETION K:REQUIRED NO. CORRECTION L:APPLICATION SERIAL NO. CORRECTION
T:APPLICATION CORRECTION Z:REMARKS CHANGE