



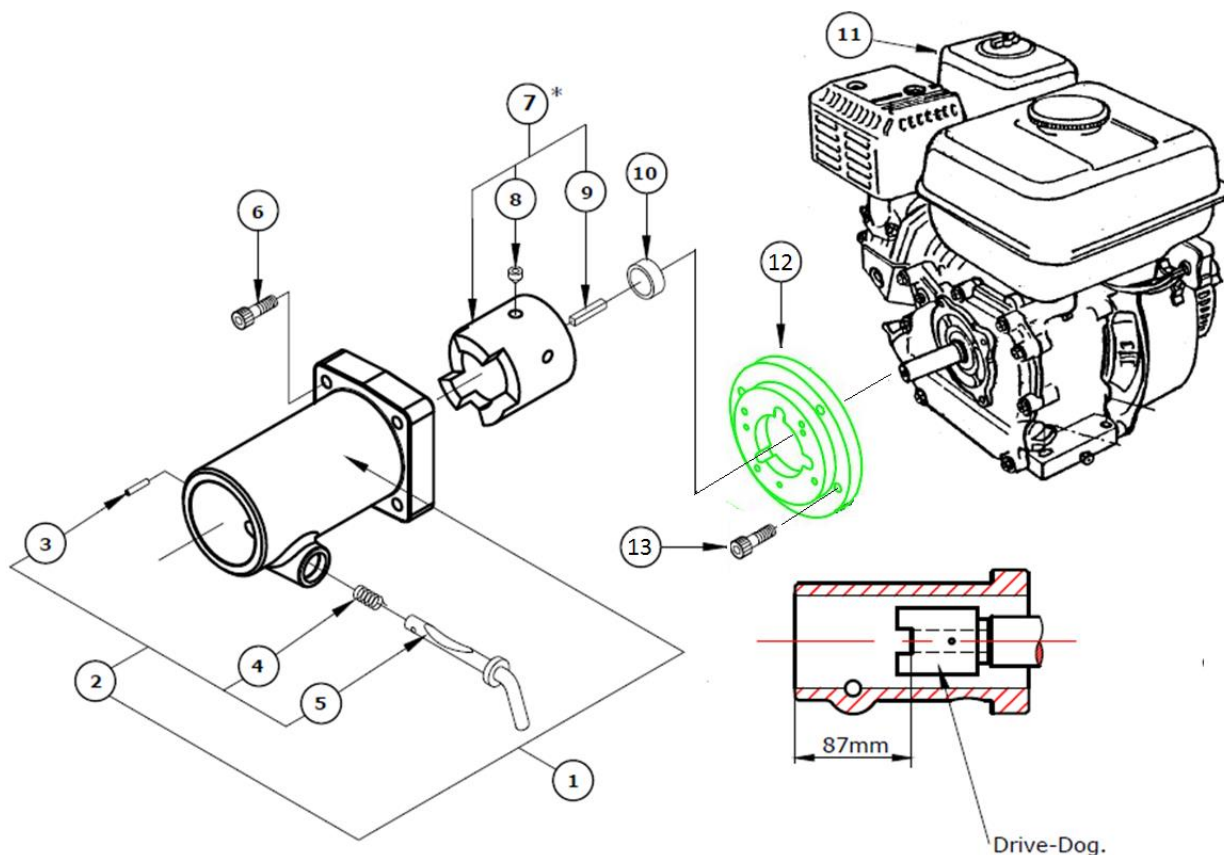
SPARE PARTS MANUAL

Flextool Drive Unit (Petrol) Heavy Duty - DP6



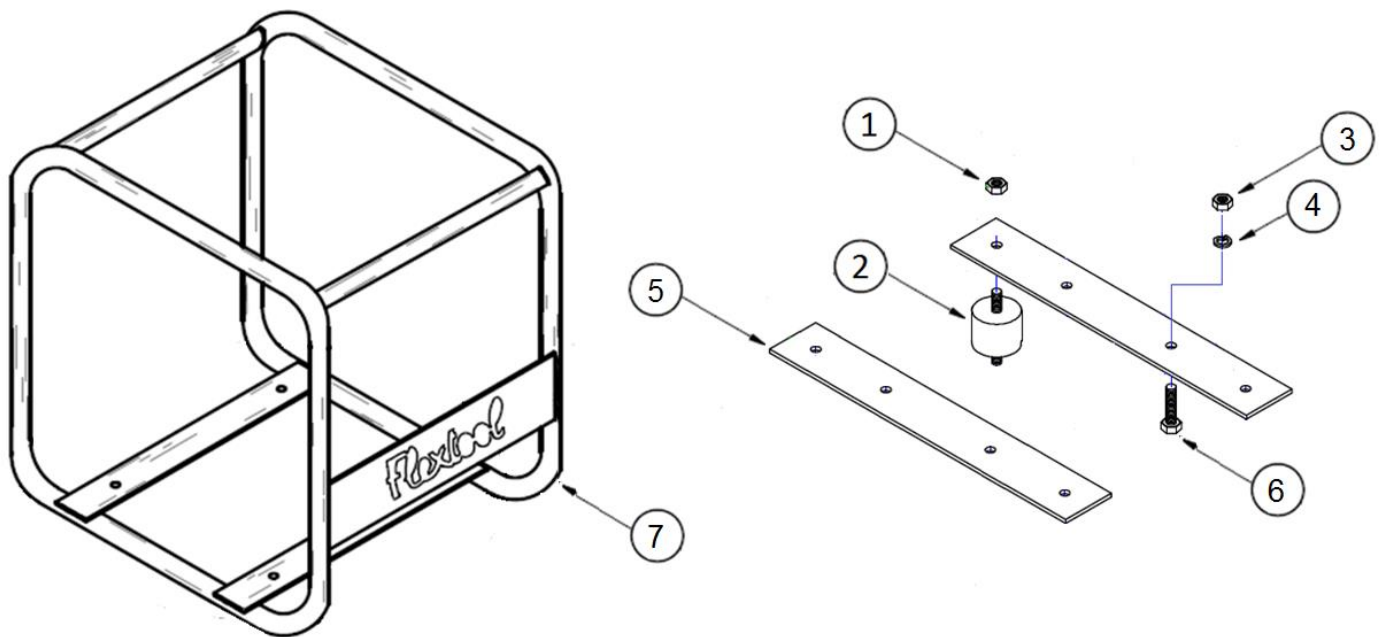
F01630

Engine / Bell Housing / Drive Dog (All Types)



Item No.	Product Code	Description	Qty	Remarks
1	F03374	Bell Housing Assy (uses F03371 Housing)	1	Includes items 1 & 2
2	F07159	Trigger Kit Assy	1	Includes items 3 to 5
3		Spiral Pin (F04836)	1	Use F07159 (Item 2)
4		Spring (F04837)	1	Use F07159 (Item 2)
5		Trigger (F04835)	1	Use F07159 (Item 2)
6	F08326	Socket Head Cap Screw – M8 x 40	4	
7	F08770	Drive Dog Kit – Bore Size 25mm (uses F08916 Drive Dog)	1	Includes items 8 to 10 Suits 'SX' Engine Type
	F09232	Drive Dog Kit – Bore Size 1" – 25.4mm (uses F04049 Drive Dog)	1	Includes items 8 to 10 Suits 'QX' Engine Type
8		Grub Screw – 3/8" x 3/8" UNF Grade 10 (F03366)	2	Use F08770 or F09232 (Item 7)
9		Key – 7mm x 7mm x 33mm (F07973)	1	Use F08770 (Item 7) Suits 'SX' Engine Type
		Key – 0.250" SQ x 1.375" (F05705)	1	Use F09232 (Item 7) Suits 'QX' Engine Type
10	F03347	Spacer	1	
11	F01956	Honda GX270 – 9.0Hp Engine SX Type	1	
	F01957	Honda GX270 – 9.0Hp Engine QX Type	1	
12	F02452	Adaptor – Bell Housing to Motor	1	
13	F08326	Socket Head Cap Screw – M8 x 40	4	Suits 'SX' Engine Type
	F06721	Socket Head Cap Screw – 5/16" x 1" UNF	4	Suits 'QX' Engine Type

Drive Unit Frame



Item No.	Product Code	Description	Qty	Remarks
1		Nut – Nylock – M10 (F09852)	4	Use F02950-SK (Service Kit)
2		Rubber Mount (F02950)	4	Use F02950-SK (Service Kit)
3	F09435	Nut – Nylock – 3/8” BSW (Zinc)	4	
4	F01944	Washer – 3/8” x 7/8 x 14G (Zinc)	4	
5	F09071H	Strap	2	
6	F05052	Screw – Hex Set 3/8” x 1-3/4” BSW	4	
7	F08794	Frame Assembly – Roll Frame	1	

Service Kit

Item No.	Product Code	Description	Qty	Remarks
	F02950-SK	Service Kit – Rubber Mount DU	1	Includes items – 1 & 2