



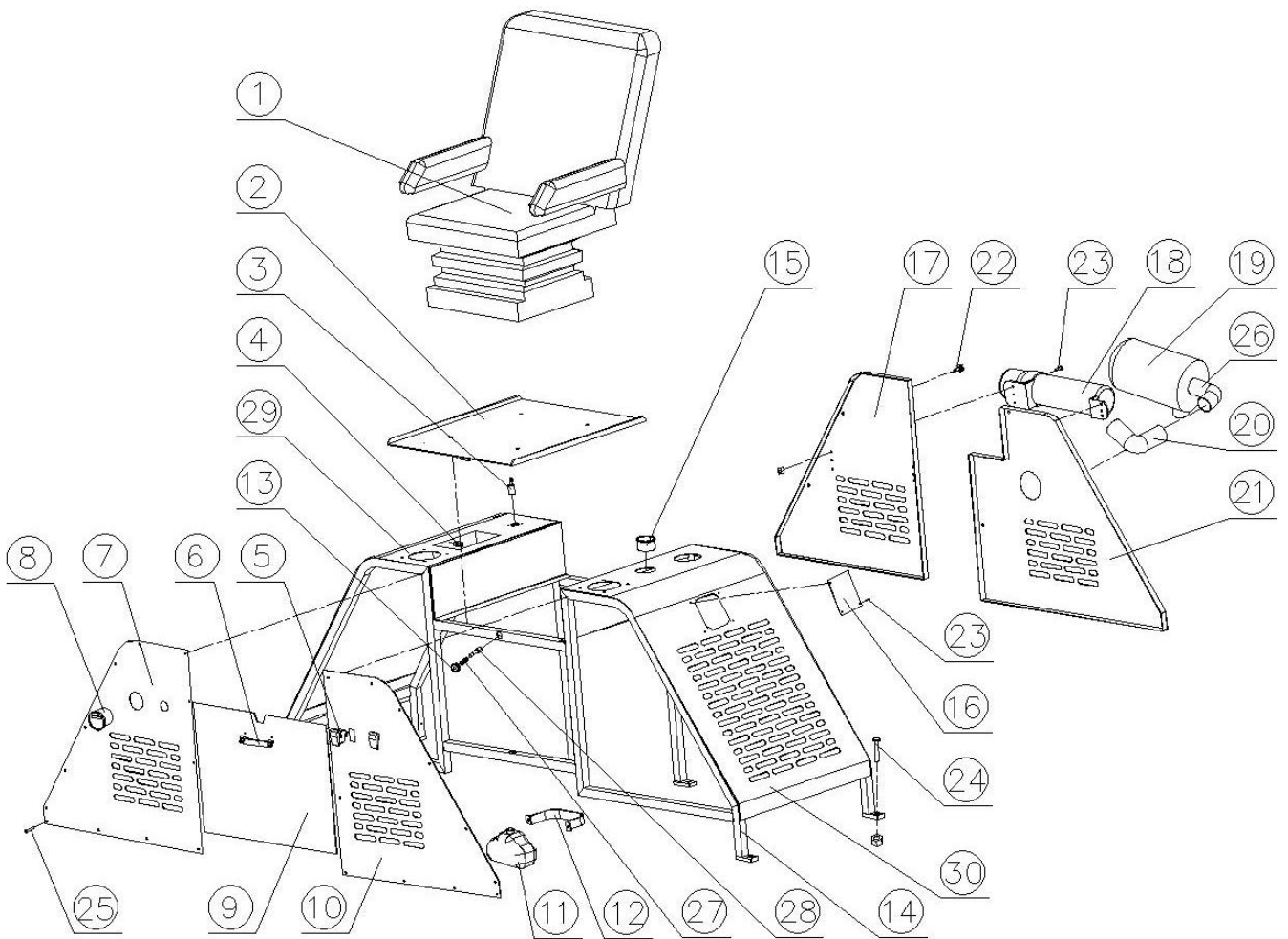
# SPARE PARTS MANUAL

## Flextool Ride On Power Trowel FP1046-H



F03846-H

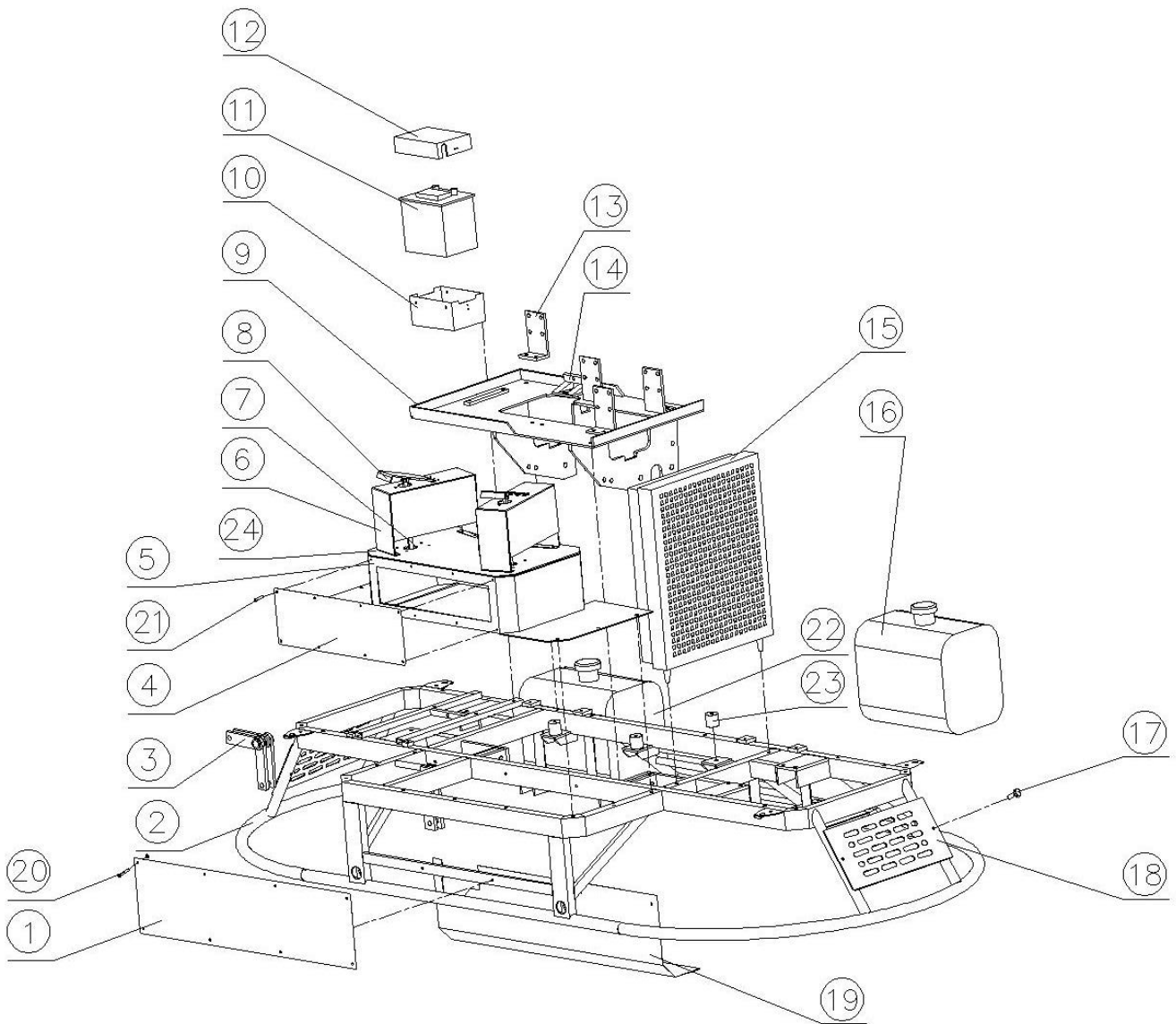
Upper Framework



## Upper Framework

Item No.	Product Code	Description	Qty	Remarks
1	1046H0453A	CHAIR WITH CUSHION	1	
2	1046H8200	CHAIR PLATE	1	
3	9271	CIRCUIT BREAKER	1	
4	9334	USB CHARGER	1	
5	9641	LIGHT SWITCH	2	
6	9678	HANDLE	1	
7	1046H8016	FRONT PANEL RIGHT	1	
8	9909	TIMER	1	
9	1046H8019	FRONT PANEL	1	
10	1046H8015	FRONT PANEL LEFT	1	
11	9666	COOLANT CONTAINER	1	
12	1046H8002	CLAMP	1	
13	1046H8301	CHAIR LOCK	1	
14	1046H8100	CHAIR FRAME	1	
15	9654	WATER TEMPERATURE GAUGE	1	
16	1046H8021	COVER PLATE	1	
17	1046H8502	BACK PANEL RIGHT	1	
18	9593	MANUAL HOLDER	1	
19	9676	AIR FILTER	1	
20	1046H3703	RUBBER HOSE	1	
21	1046H8501	BACK PANEL LEFT	1	
22	9121	KNOB	8	
23	9220	BOLT	10	
	9023	NUT	10	
24	9921	BOLT	6	
	9016	NUT	6	
25	9779	SCREW	24	
26	9674	SILICONE HOSE	1	
27	1046H8304	SPRING	1	
28	1046H8302	PIN	1	
29	1046H8018	SIDE PANEL RIGHT	1	
30	1046H8017	SIDE PANEL LEFT	1	

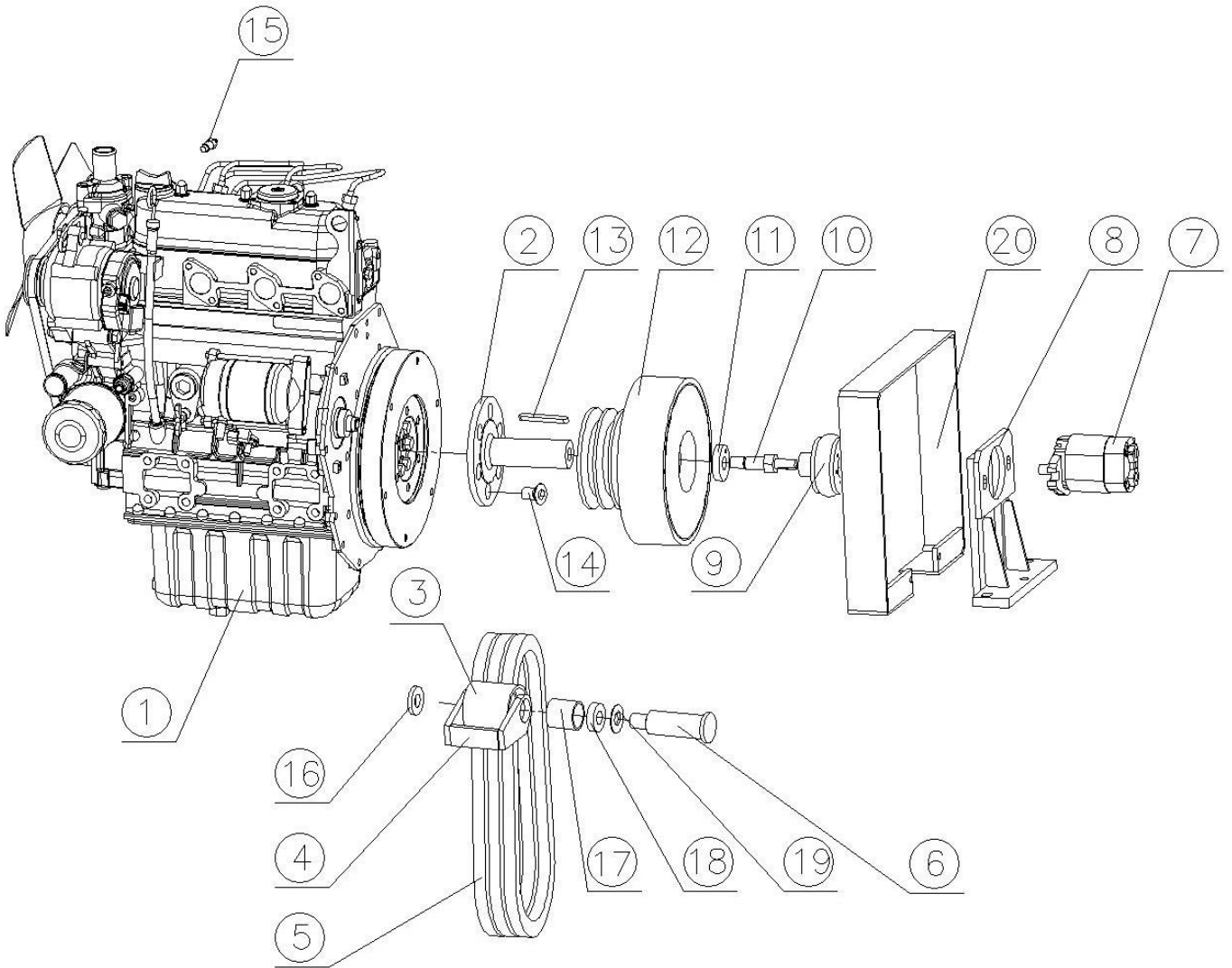
Lower Framework



## Lower Framework

Item No.	Product Code	Description	Qty	Remarks
1	1046H8404	FRONT PANEL BOTTOM	1	
2	1046H0000	GUARD RING	1	
3	1046H2200	PUMP HOLDER	1	
4	1046H8406	FRONT PANEL MIDDLE	1	
5	1046H8400	PLATFORM	1	
6	1046H4200	PEDAL SUPPORT	2	
7	1046H4001	THROTTLE LEVER	2	
8	8360592a	THROTTLE PEDAL	2	
9	1046H3400	ENGINE DECK	1	
10	8360464	BATTERY BOX	1	
11	8360019	BATTERY	1	
12	8360463	BATTERY COVER	1	
13	1046H3003	ENGINE BRACKET	4	
14	1046H3100	TENSIONER	1	
15	9650	RADIATOR	1	
16	1046H4806	FUEL TANK	1	
17	9121	KNOB	4	
18	1046H8006	COVER PLATE	2	
19	1046H8600	FENDER	1	
20	9317	BOLT	8	
	9023	NUT	8	
21	9779	SCREW	20	
22	1046H4807	WATER TANK	1	
23	1046H4602	CUSHION	6	
24	1046H8402B	PLATE	1	

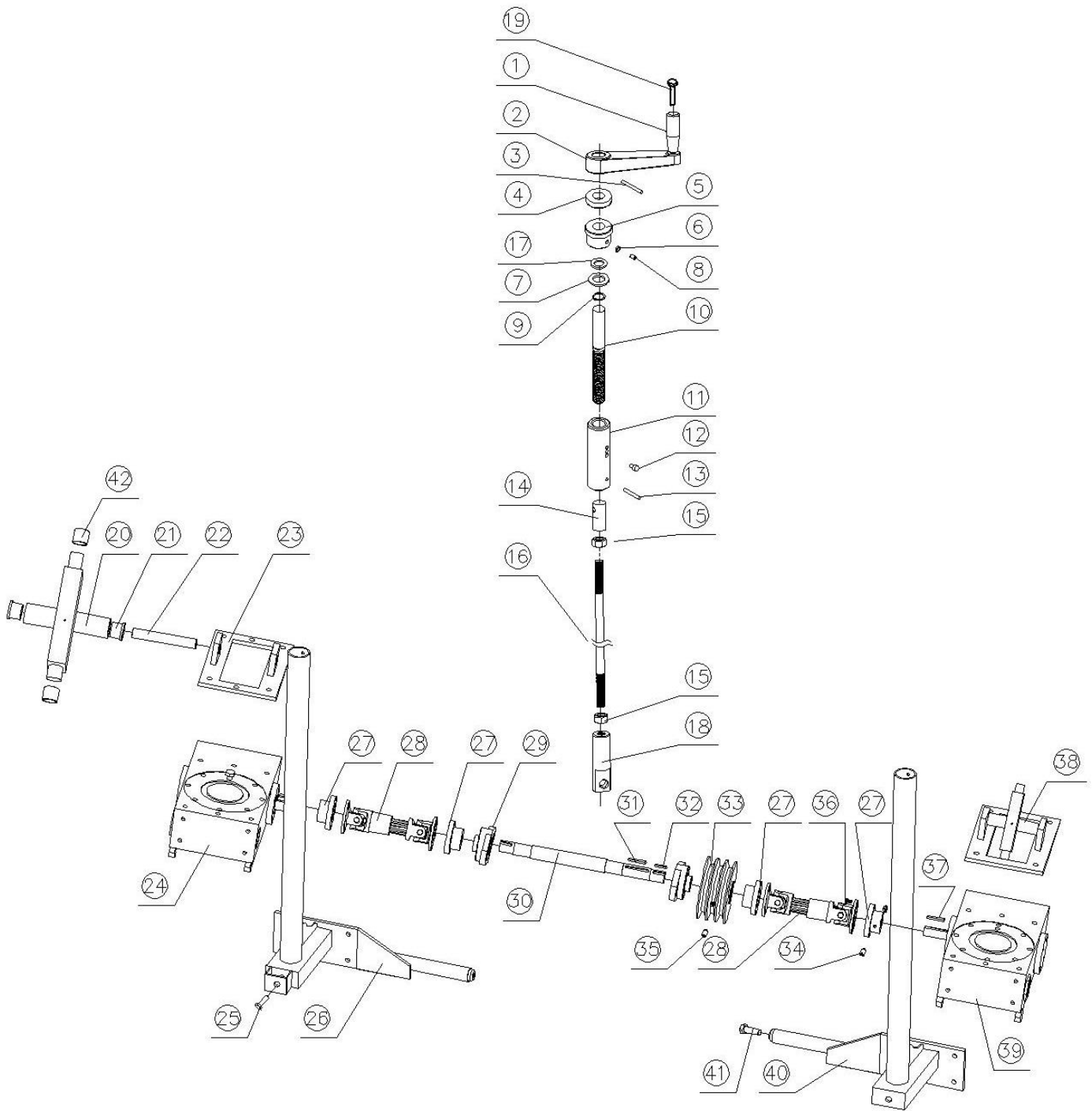
Power System



## Power System

Item No.	Product Code	Description	Qty	Remarks
1	31000038	44HP DIESEL ENGINE	1	
2	1046H3004	FLANGE	1	
3	1046H3305	TENSIONER	1	
4	1046H3200	BRACKET	1	
5	9598	BELT	6	
6	1046H3301	TENSIONER SHAFT	1	
7	9797	HYDRAULIC PUMP	1	
8	1046H2100	PUMP MOUNTING	1	
9	9809	TYRE COUPING	1	
10	1046H3005	SHAFT	1	
11	1046H3006	SPACER	1	
12	1046H3800	NEW CLUTCH	1	
13	9787	KEY	1	
14	9658	SCREW	6	
15	9946	WATER TEMPERATURE PLUG	1	
16	1046H3303	SPACER	1	
17	1046H3302	SPACER	1	
18	9075	BEARING	2	
19	1046H3304	SPACER	2	
20	1046H3403	BELT HOLDER	1	

Steering System

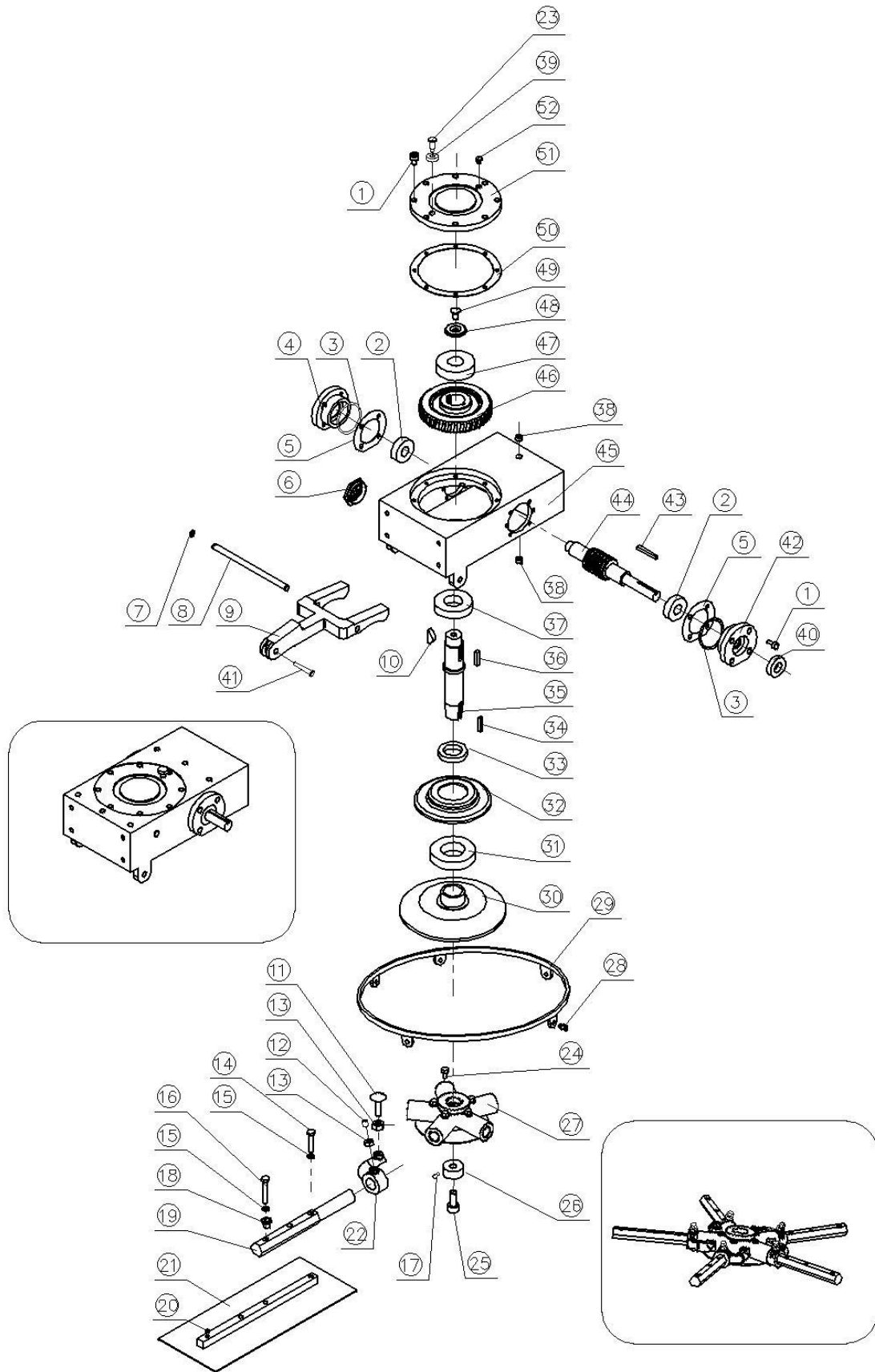




## Steering System

Item No.	Product Code	Description	Qty	Remarks
1	1046H5004	PITCH KNOB	2	
2	1046H5006		2	
3	9157A	PIN	2	
4	9025	BEARING	2	
5	JG846A050004	BUSHING	2	
6	9022	SPRING WASHER	2	
7	4365504	SPACER	2	
8	9093	BOLT	2	
9	9027	STAIBILIZER	2	
10	4365503	ADJUSTING SHAFT	2	
11	JG846A050006	BUSHING	2	
12	9028	SCREW	2	
13	9610	PIN	2	
14	JG846A050008	CONNECTOR	2	
15	9059	NUT	4	
16	1046H5005	ROD	2	
17	9033	WAVE WASHER	2	
18	JG846A050007	CONNECTOR	2	
19	9383	SCREW	2	
20	1046H5300	CROSS SHAFT	1	
21	9635	BEARING	2	
22	1046H5001	PIVOT	1	
23	1046H5200	HANGING BRACKET RIGHT	1	
24	1046H6000R	GEARBOX RIGHT	1	
25	9511	BOLT	1	
	9513	NUT	1	
26	1046H5400R	PITCH CONTROL BRACKET RIGHT	1	
27	1046H3605	FLANGE	4	
28	1046H3600	COUPLING	2	
29	9633	BEARING HOSE	2	
30	1046H3001	MAIN SHAFT	1	
31	9663	KEY	1	
32	9710	KEY	2	
33	1046H3002	PULLEY	1	
34	9101	SCREW	8	
35	9447	SCREW	2	
36	9098	BOLT	16	
	9016	NUT	16	
37	9217	KEY	2	
38	1046H5100	HANGING BRACKET LEFT	1	
39	1046H6000L	GEARBOX LEFT	1	
40	1046H5400L	PITCH CONTROL BRACKET LEFT	1	
41	9512	BOLT	2	
42	9634	BEARING	4	

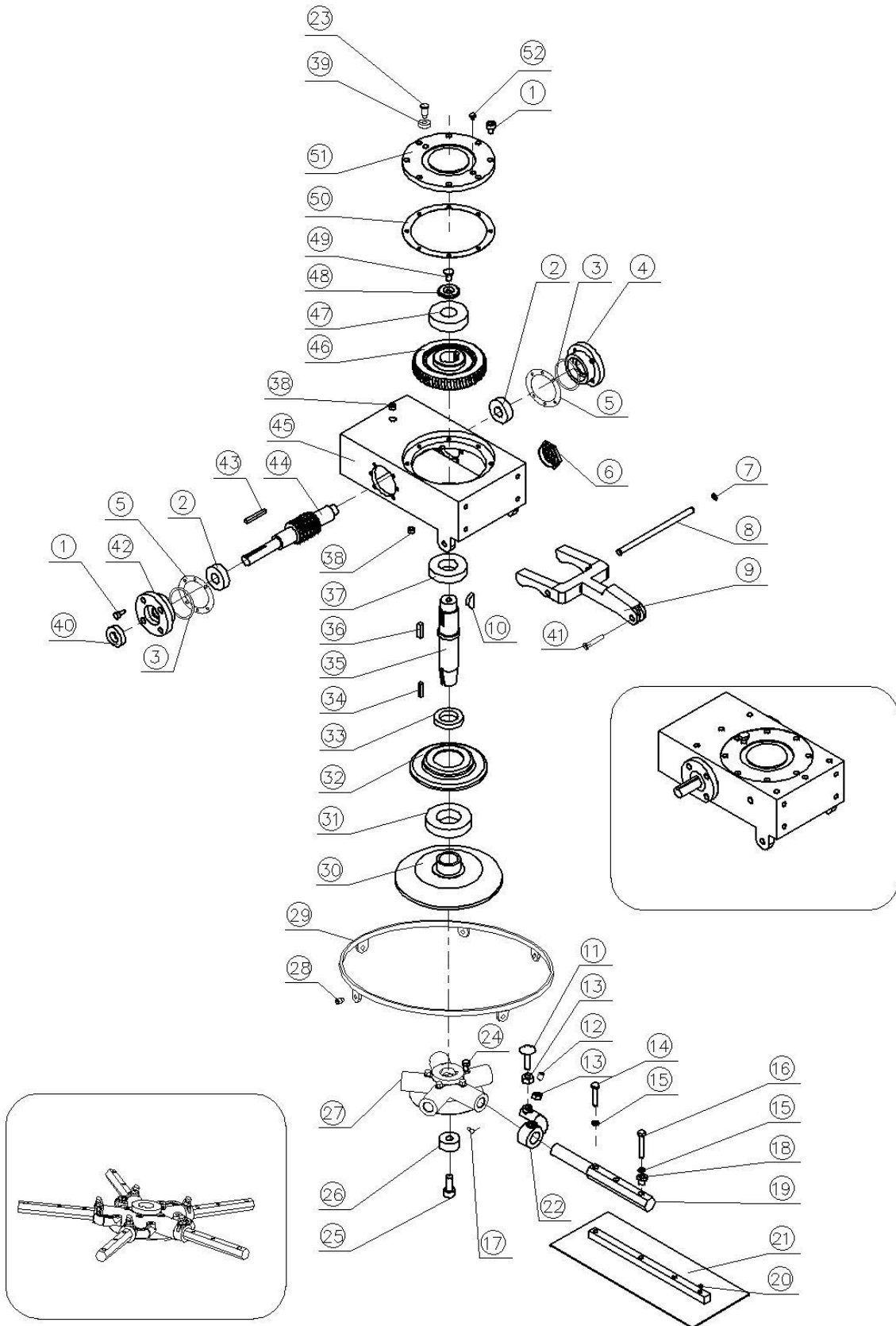
Gearbox & Spider (Right)



## Gearbox &amp; Spider (Right)

Item No.	Product Code	Description	Qty	Remarks
1	9118	SCREW	20	
2	9790	BEARING	2	
3	9371	O SEAL	2	
4	1046H6308	FLANGE	1	
5	1046H6312	SHIMMING	4	
6	9064	OIL VIEWER	1	
7	9643	STABILIZER	2	
8	1046H5002	YOKE ARM PIVOT	1	
9	1046H5003	YOKE ARM	1	
10	9675	WOODRUFF KEY	1	
11	9067	SCREW	5	
12	9540	SCREW	5	
13	9059	NUT	10	
14	9698	BOLT	10	
15	9037	SPRING WASHER	15	
	9038	WASHER	15	
16	9699	BOLT	5	
17	9069B	GREASE FITTING	5	
18	4366007	ADJUSTING BOLT	5	
19	1046H7001	TROWEL ARM	5	
20	9072	PLUG	10	
21	4466100Y	BLADE	5	
22	1046H6006R	ANGLE ARM	5	
23	846A060013	VAVLE	1	
24	9066	SCREW	5	
	9046	SPRING WAHSER	5	
25	9068	SCREW	1	
26	1046H7006	BUSHING	1	
27	1046H7005	SIPDER PLATE RIGHT	1	
28	9147	SCREW	5	
29	1046H7100	STABILIZER RING	1	
30	1046H7003	PRESSURE PLATE	1	
31	9628	BEARING	1	
32	1046H7002	PRESSURE PLATE CAP	1	
33	9632	SEAL	1	
34	9697	KEY	1	
35	1046H6306	MAIN SHAFT	1	
36	9663	KEY	1	
37	9680	BEARING	1	
38	9053	PLUG	2	
39	846A060014	NUT	1	
40	9631	SEAL	1	
41	9704	BOLT	1	
	9016	NUT	1	
42	1046H6307	FLANGE	1	
43	9217	KEY	1	
44	1046H6309	COUNTER SHAFT RIGHT	1	
45	1046H6302	GEARBOX CASTING RIGHT	1	
46	1046H6100	BRONZE GEAR RIGHT	1	
47	9789	BEARING	1	
48	1046H6304	PRESSURE RING	1	
49	9145	SCREW	1	
50	1046H6311	SHIMMING	2	
51	1046H6303	GEARBOX COVER	1	
52	4364100	VALVE	1	

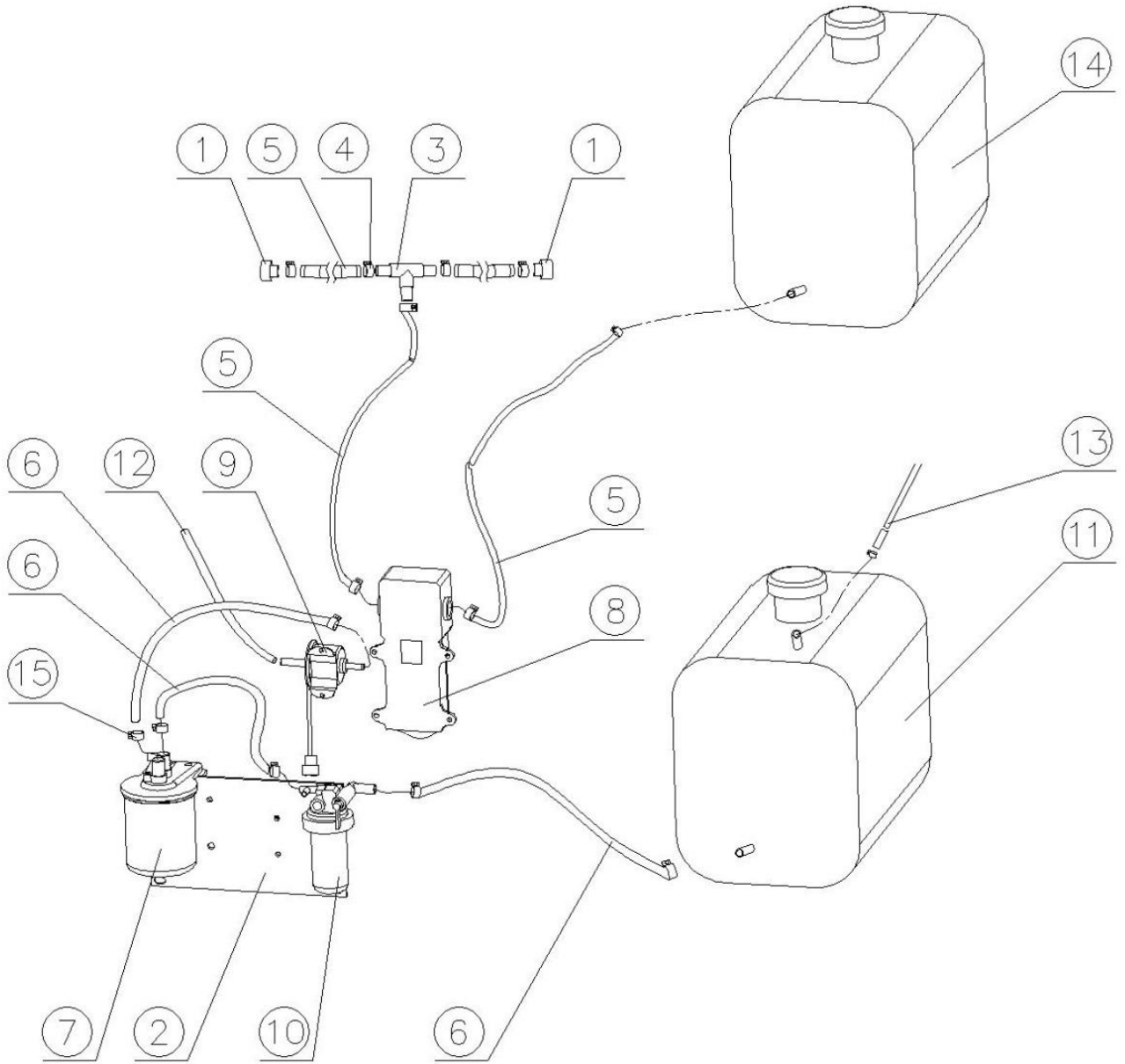
Gearbox & Spider (Left)



## Gearbox &amp; Spider (Left)

Item No.	Product Code	Description	Qty	Remarks
1	9118	SCREW	20	
2	9790	BEARING	2	
3	9371	O SEAL	2	
4	1046H6308	FLAGNE	1	
5	1046H6312	SHIMMING	4	
6	9064	OIL VIEWER	1	
7	9643	STABILIZER	2	
8	1046H5002	YOKE ARM PIVOT	1	
9	1046H5003	YOKE ARM	1	
10	9675	WOODRUFF KEY	1	
11	9067	SCREW	5	
12	9540	SCREW	5	
13	9059	NUT	10	
14	9698	BOLT	10	
15	9037	SPRING WASHER	15	
	9038	WASHER	15	
16	9699	BOLT	5	
17	9069B	GREASE FITTING	5	
18	4366007	ADJUSTING BOLT	5	
19	1046H7001	TROWEL ARM	5	
20	9072	PLUG	10	
21	4466100Y	BLADE	5	
22	1046H6006L	ANGLE ARM	5	
23	846A060013	VAVLE	1	
24	9066	SCREW	5	
	9046	SPRING WASHER	5	
25	9068	SCREW	1	
26	1046H7006	BUSHING	1	
27	1046H7004	SPIDER PLATE LEFT	1	
28	9147	SCREW	5	
29	1046H7100	STABILIZER RING	1	
30	1046H7003	PRESSURE PLATE	1	
31	9628	BEARING	1	
32	1046H7002	PRESSURE PLATE CAP	1	
33	9632	SEAL	1	
34	9697	KEY	1	
35	1046H6305	MAIN LEFT	1	
36	9663	KEY	1	
37	9680	BEARING	1	
38	9053	PLUG	2	
39	846A060014	NUT	1	
40	9631	SEAL	1	
41	9704	BOLT	1	
	9016	NUT	1	
42	1046H6307	FLANGE	1	
43	9217	KEY	1	
44	1046H6310	COUNTER SHAFT LEFT	1	
45	1046H6301	GEARBOX CASTING LEFT	1	
46	1046H6200	BRONZE GEAR LEFT	1	
47	9789	BEARING	1	
48	1046H6304	PRESSURE RING	1	
49	4364007	SCREW	1	
50	1046H6311	SHIMMING	2	
51	1046H6303	GEARBOX COVER	1	
52	4364100	VALVE	1	

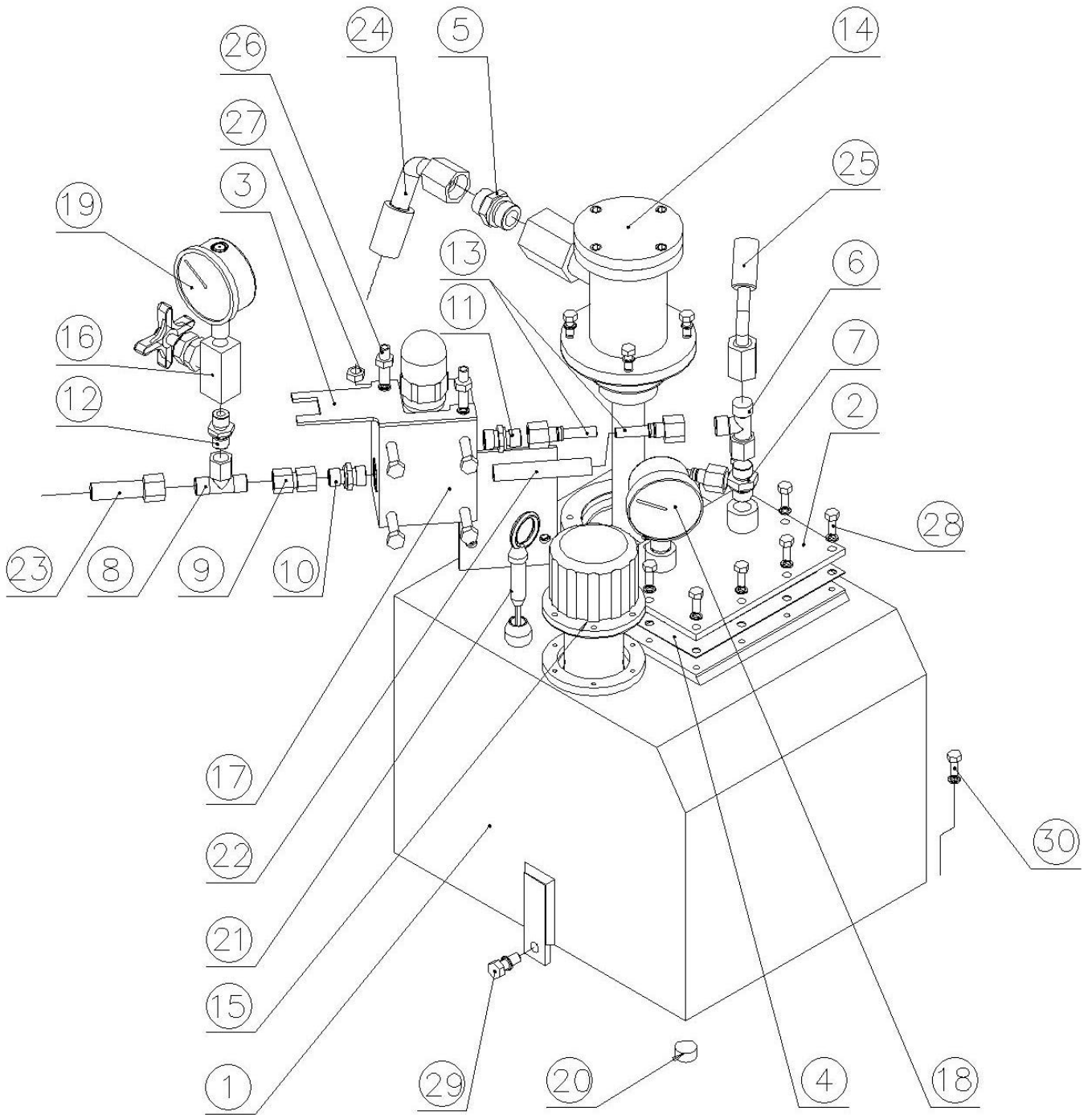
Water & Fuel System



## Water &amp; Fuel System

Item No.	Product Code	Description	Qty	Remarks
1	846A80010	NOZZLE	2	
2	1046H4400	MOUNGTING PLATE	1	
3	9571	T COCK	1	
4	1071	HOOP	8	
5	10202003	WATER HOSE	4	
6	10202004	FUEL HOSE	3	
7	9860	FUEL FILTER	1	
8	1067	WATER PUMP	1	
9	9868	FUEL PUMP	1	
10	9859	FUEL-WATER SEPARATOR	1	
11	1046H4806	FUEL TANK	1	
12	9864	FUEL HOSE	1	
13	9865	FUEL HOSE	1	
14	1046H4807	WATER TANK	1	
15	9861	CLAMP	10	

Hydraulic System (A)

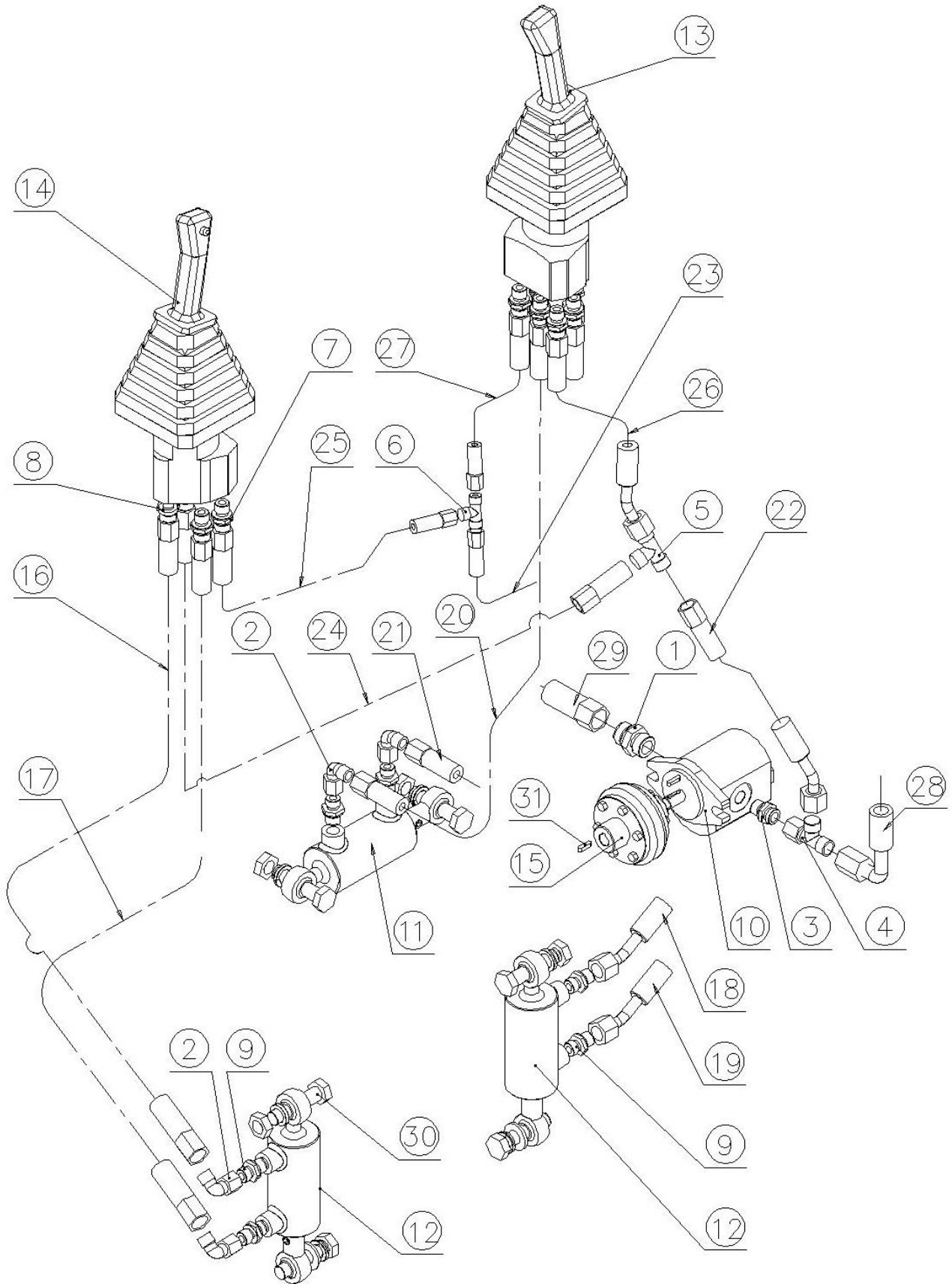




## Hydraulic System (A)

Item No.	Product Code	Description	Qty	Remarks
1	1046H-YX	OIL TANK	1	
2	1046H-FLG	FLANGE	1	
3	1046H-FJ3	FLANGE	1	
4	1046H-FJ8	RUBBER MAT	1	
5	9815	CONNECTOR	1	
6	9819	T COCK	2	
7	9828	CONNECTOR	1	
8	9821	T COCK	1	
9	9829	CONNECTOR	1	
10	9831	CONNECTOR	1	
11	9832	CONNECTOR	1	
12	9830	CONNECTOR	1	
13	9845	CONNECTOR	2	
14	9791	OIL FILTER	1	
15	9793	AIR FILTER	1	
16	9795	VAVLE	1	
17	9804	SPILL VAVLE	1	
18	9806	TEMPERATURE METER	1	
19	9808	OIL PRESSURE METER	1	
20	9811	PLUG	1	
21	9812	OIL GAUGE	1	
22	1046HRG-15	HOSE	1	
23	1046HRG-13	HOSE	1	
24	1046HRG-14	HOSE	1	
25	1046HRG-8	HOSE	1	
26	9705	SCREW	2	
	9236	NUT	2	
27	9032	NUT	2	
28	9133	BOLT	14	
	9330	WASHER	10	
	9022	SPRING WASHER	14	
29	9315	BOLT	1	
	9038	WASHER	1	
	9037	SPRING WASHER	1	
	9236	NUT	1	
30	9098	BOLT	2	
	9038	WASHER	2	
	9037	SPRING WASHER	2	

Hydraulic System (B)



## Hydraulic System (B)

Item No.	Product Code	Description	Qty	Remarks
1	9833	CONNECTOR	1	
2	9817	CONNECTOR	4	
3	9818	CONNECTOR	1	
4	9819	T COCK	2	
5	9822	T COCK	1	
6	9823	T COCK	1	
7	9824	CONNECTOR	10	
8	9825	PLUG	2	
9	9827	CONNECTOR	6	
10	9797	GEAR PUMP	1	
11	9798	HYDROCYLINDER	1	
12	9799	HYDROCYLINDER	2	
13	9801-Y	HYDRAULIC CONTROL LEVER	1	
14	9801-Z	HYDRAULIC CONTROL LEVER	1	
15	9809	COUPLING	1	
16	1046HRG-1	HOSE	1	
17	1046HRG-2	HOSE	1	
18	1046HRG-3	HOSE	1	
19	1046HRG-4	HOSE	1	
20	1046HRG-5	HOSE	1	
21	1046HRG-6	HOSE	1	
22	1046HRG-7	HOSE	1	
23	1046HRG-8	HOSE	1	
24	1046HRG-9	HOSE	1	
25	1046HRG-10	HOSE	1	
26	1046HRG-11	HOSE	1	
27	1046HRG-12	HOSE	1	
28	1046HRG-13	HOSE	1	
29	1046HRG-14	HOSE	1	
30	9511	BOLT	6	
	9647	WASHER	6	
	9513	NUT	6	
31	10010001	KEY	2	