

# PARTS LIST

YANMAR ENGINE  
**L48N6-SMK**

*FOR MIKASA PRODUCTS*

**WITH PRODUCT NAME**

TAMPING RAMMER

MT-76D/86D

MTX-85DY

**EN**

805-11701



# PARTS REMARK INDEX

## How to read the marks and remarks used in this parts book.

### Section 1 : Explanation of Code Use In “MRK” Column

OO : Interchangeable between the new part and the old one.

XX : Not Interchangeable between new and old.

OX : New part is usable for the old machine but the old part is not usable for the new machine.

XO : The old part is usable for the new machine but the new part is not usable for the old machine.

Note : In case of the lack of interchangeability between the new part and old part, a new part may be used by replacing all other parts found in the assembly. In this case, refer to section 2 for instruction on identifying other parts involved in a new assembly.

AD : Newly established(added)

DC : Suspended(discontinued)

NC : Part number changed

QC : Quantity used has been changed

NS : Not supplied individually but supplied in an assembly or a group.

AS : Special part designed to allow interchangeability between new and old part.

CR : Correction

### Section 2 : Items Found In “Remark” Column

Serial Numbers - Where indicated, this indicates a serial number range (inclusive) where a particular part is used.

Model Number - Where indicated, this shows that the corresponding part is utilized only with this specific model number or model number variant.

# or \* : All parts with the same number following # or \* belong to the same assembly. this part cannot be interchanged individually with any other assemblies to replace an old part (indicated by #), with a new part(indicated by \*), then all other parts of that assembly must be replaced with new ones.

Note : If more than one of the same reference number is listed, the last one listed indicates newest(or latest)part available.

### Section 3: Example

REF NO.	PART NO.	PART NAME	QTY	MRK	REMARKS
457(1)	5122-09230	Hinge Metal, Upper/24g	1		-1070 #3 (5)
457(2)	5072-09420	Hinge Metal, Upper M16	1	OX(3)	U1071-(6) * 3(7)

(1) Old part

(2) New part

(3) New part usable with old machine, but old part not usable with new machine (reference section 1).

(4) Old part number is used through this machine serial number.

(5) Old part, used in an assembly with other parts marked with #3. To use this part on a new machine, all other parts in this assembly must be replaced with old ones.

(6) New part put into use starting with this serial number and is still current.

(7) New part used in an assembly with other parts marked \* 3, to use this part as a replacement for an old part, all other \* 3 marked parts must be changed at the same time.

### Section 4: Items Found In “MK2” Column

(only for suspended products)

! OO (“OO” is shown in figure) : The part shown in lower line is supplied.

! SD : Not available due to termination of production.

! NS : Not supplied individually, but supplied in an assembly or a group.

! PD : Supplied as unit product.

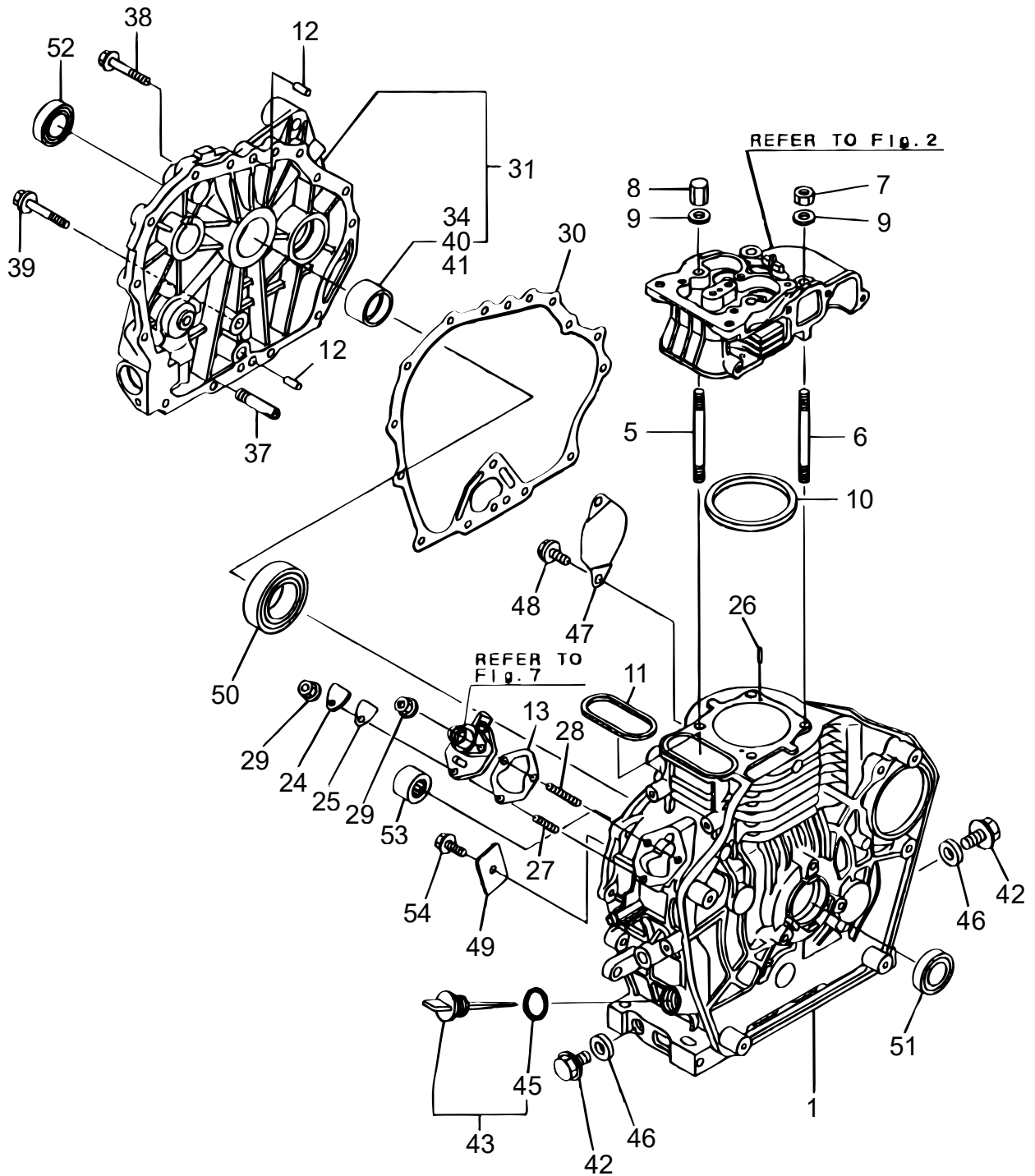
SS : Not available after stock run out.

(The contents of this parts catalog are subject to change without notice.)

# L48N6-SMK (FOR MT-76D/86D,MTX-85DY)

## 1. CYLINDER BLOCK

BGV0



**L48N6-SMK (FOR MT-76D/86D, MTX-85DY)**

2019/5/24

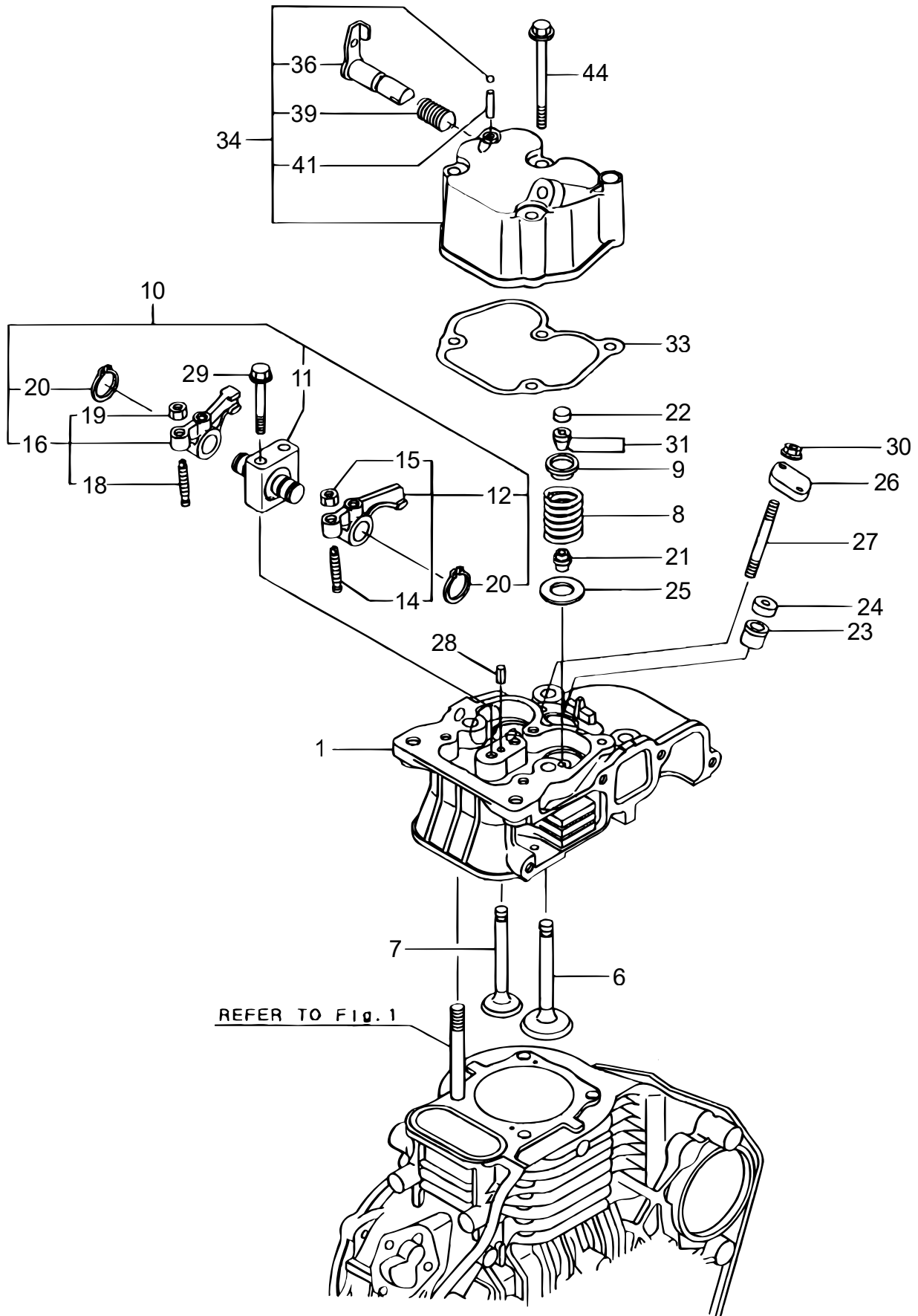
**1. CYLINDER BLOCK**

**\*\* BGV \*\***

REF NO.	PART NO.	PART NAME	Q' TY	MRK	MK2	REMARKS
1	11429C-01020	BLOCK AY, CYLINDER/L48N6	1			
5	114299-01200	BOLT, CYL. HEAD A / L48V	2			
6	114299-01210	BOLT, CYL. HEAD B / L48V	2			
7	114299-01220	NUT, CYLONDER HEAD A /L48V	2			
8	114299-01230	NUT, CYLONDER HEAD B /L48V	2			
9	124950-01250	WASHER	4			
10	114295-01330	GASKET ASSY, CYL. HEAD/L48V	1			
11	114250-01380	O-RING	1			
12	114299-01600	PIN, 8X12	2			
13	114299-01800	SHIM SET / L70V	1			
24	114299-01830	COVER(FO PUMP) / L70V	1			
25	114250-01841	GASKET	1			
26	22312-040080	PIN 4X8 STRAIGHT	2			
27	26226-060182	STUD M 6X 18 PLATED	1			
28	26226-060222	STUD M 6X 22 PLATED	2			
29	26366-060002	NUT M 6	3			
30	114299-01410	GASKET, CRANK CASE / L48V	1			
31	114284-01452	COVER ASSY, CASE(DRM)	1			
34	114250-02100	MAIN BEARING	1			
37	114299-35150	PIPE, L. O. INLET / L70V	1			
38	26106-060252	BOLT M 6X 25 PLATED	14			
39	26106-080352	BOLT M 8X 35 PLATED	1			
40	114250-02200	BEARING US=0. 25, MAIN	1			
41	114250-02210	BEARING US=0. 50, MAIN	1			
42	105425-01690	PLUG M16	2			
43	114299-01760	CAP, W/LUB. OIL GAUGE	1			
45	24311-000180	O-RING 1A P-18. 0	1			
46	22190-160002	SEAL WASHER 16S	2			
47	114399-01700	COVER, STARTER /L48V	1			
48	26106-100122	BOLT M10X 12 PLATED	2			
49	114299-02030	RETAINER	1			
50	114250-02113	BALL BEARING	1			
51	114299-02220	SEAL, OIL	1			
52	160210-02220	SEAL, OIL	1			
53	24162-152112	NEEDLE BEARING	1			
54	26106-080122	BOLT M 8X 12 PLATED	1			

# L48N6-SMK (FOR MT-76D/86D,MTX-85DY)

## 2. CYLINDER HEAD&BONNET



L48N6-SMK (FOR MT-76D/86D, MTX-85DY)

2019/5/24

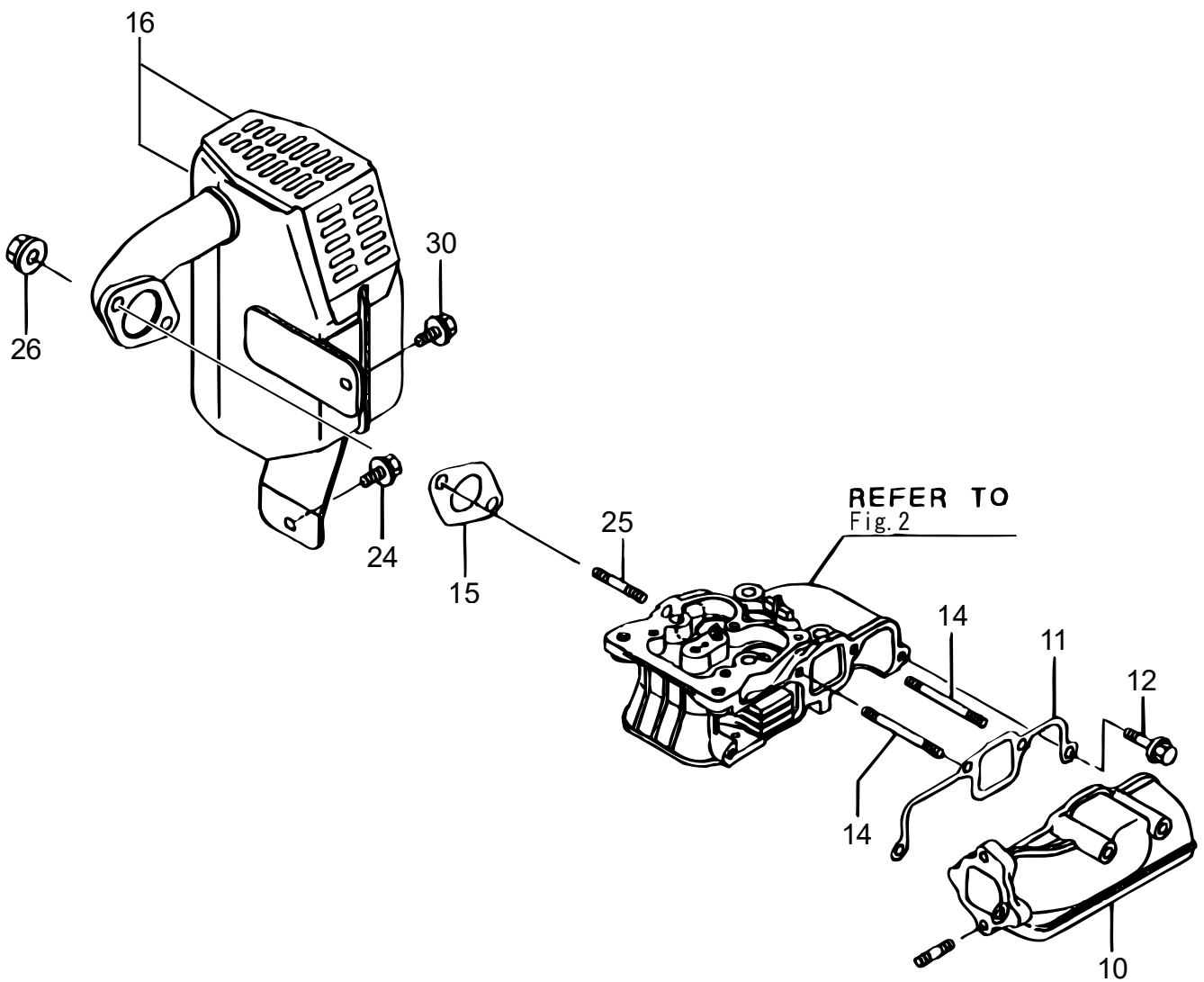
2. CYLINDER HEAD&BONNET

\*\* BGW \*\*

REF NO.	PART NO.	PART NAME	Q' TY	MRK	MK2	REMARKS
1	11429C-11030	HEAD AY, CYLINDER/L48N6	1			
6	114771-11100	VALVE, SUCTION /L48N6	1			
7	11429C-11110	VALVE, /EXHAUST / L48N6	1			
8	114299-11120	SPRING, VALVE / L48V	2			
9	114250-11180	RETAINER, SPIRNG	2			
10	11429C-11250	SUPPORT CAM, ARM / L48N	1			
11	11429C-11260	SUPPORT, ROCKER ARM /L48N	1			
12	11429C-11650	ARM ASSY, INTAKE /L48N	1			
14	114250-11240	SCREW, VALVE ADJUST.	1			
15	26856-060002	LOCK NUT 6	1			
16	11429C-11660	ARM ASSY, EXHAUST/L48N	1			
18	114250-11240	SCREW, VALVE ADJUST.	1			
19	26856-060002	LOCK NUT 6	1			
20	22242-000120	CIR CLIP 12	2			
21	114250-11341	SEAL, VALVE STEM	2			
22	119260-11370	CAP, VALVE	2			
23	114339-11451	PROTECTOR, NOZZLE /L70N	1			
24	114339-11551	GASKET, NOZZLE /L70N	1			
25	114299-11600	WASHER, VALVE SPRING /L70V	2			
26	114299-11901	RETAINER, NOZZLE / L48V	1			
27	114110-11910	STUD BOLT M6X65	2			
28	22351-040008	SPRING PIN 4X 8	1			
29	26106-060452	BOLT M 6X45 PLATED	2			
30	26366-060002	NUT M 6	2			
31	27310-055001	COTTER	2			
33	114771-11310	GASKET, BONNET	1			
34	114771-11970	BONNET CMP	1			
36	114250-03591	SHAFT ASSY, DECOMP.	1			
39	114288-03641	SPRING	1			
41	114288-03950	PIN	1			
44	26106-060552	BOLT M 6X 55 PLATED	3			

L48N6-SMK (FOR MT-76D/86D,MTX-85DY)  
3. AIR CLEANER & MUFFLER

BGX0

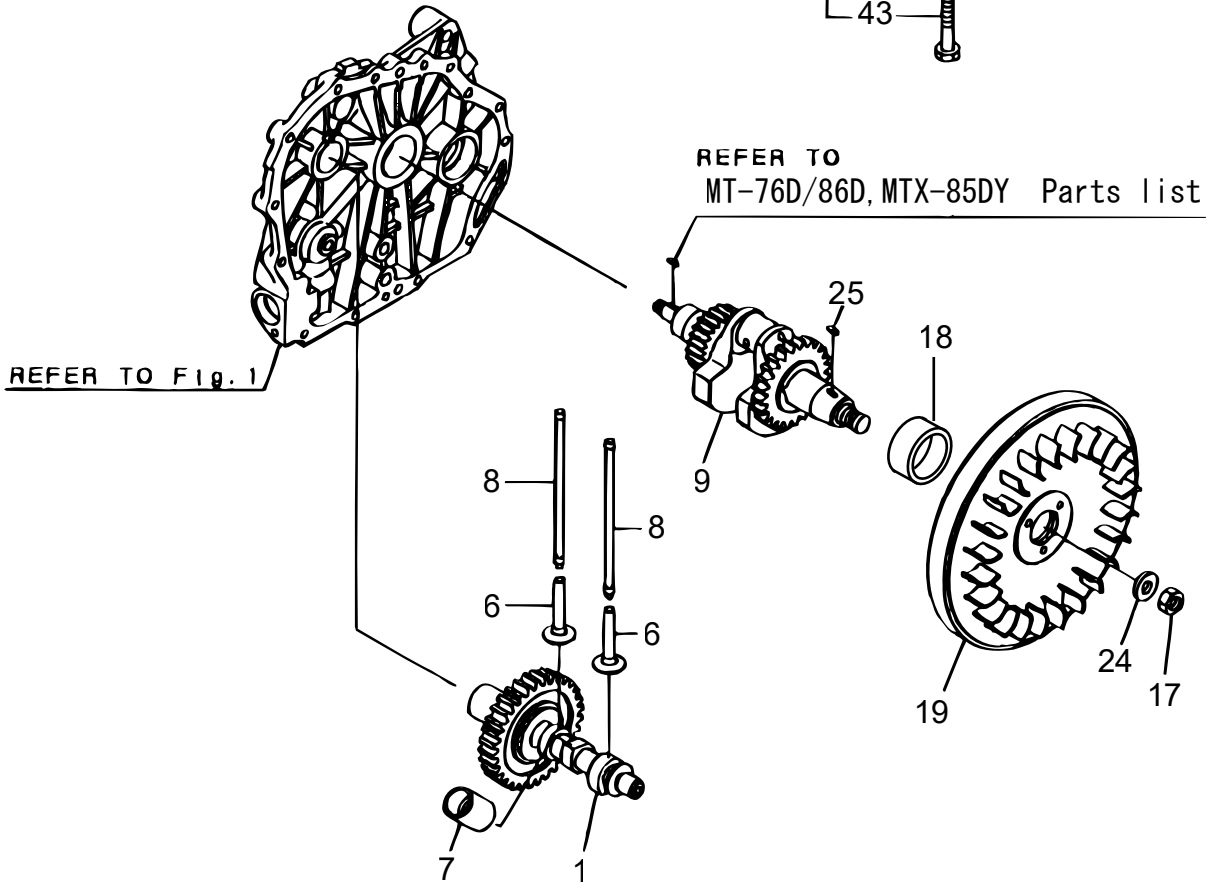
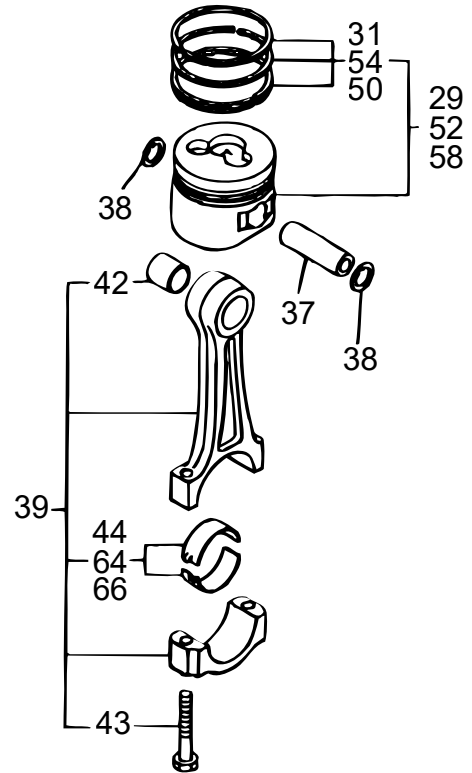






# L48N6-SMK (FOR MT-76D/86D,MTX-85DY)

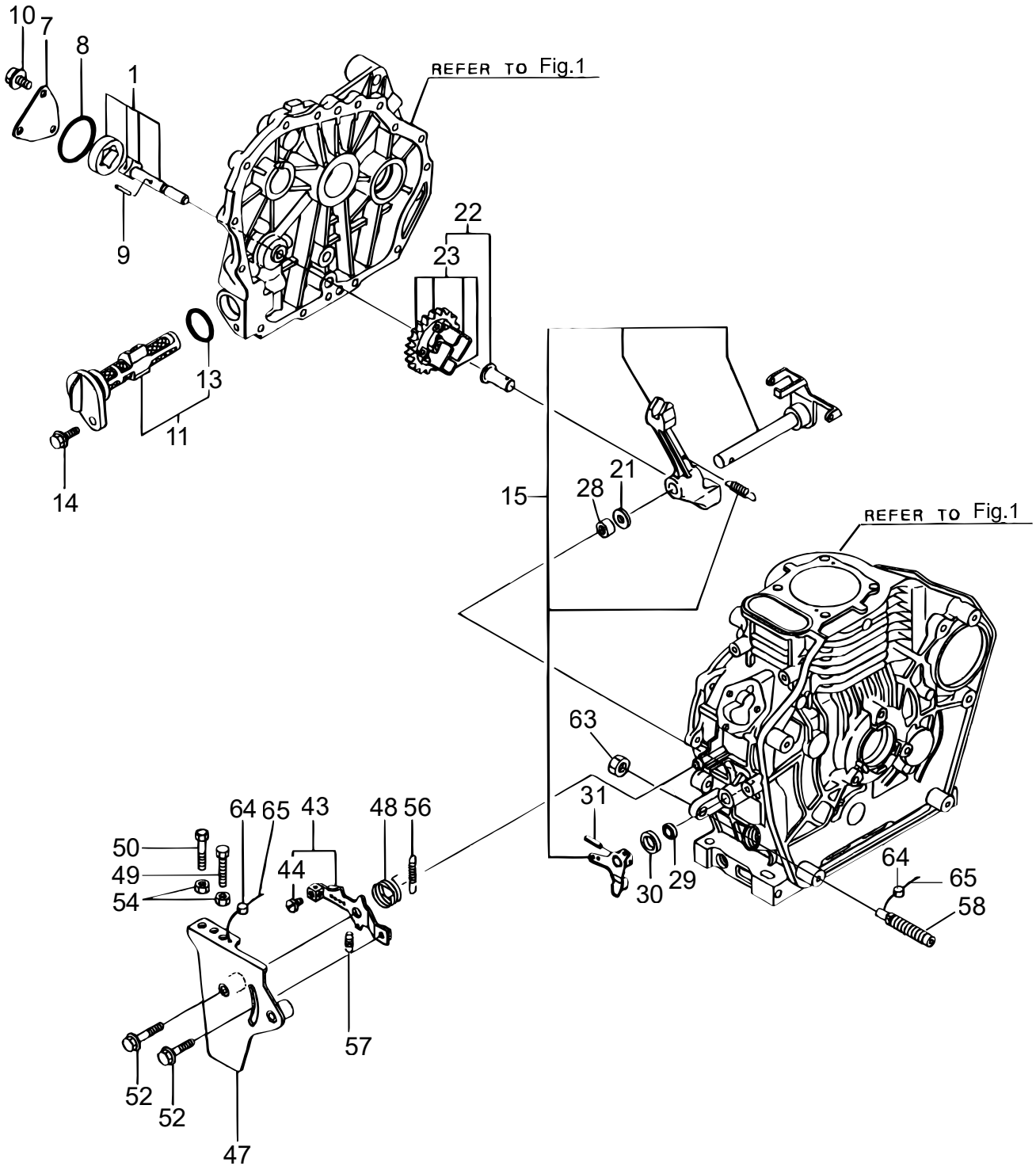
## 4. CRANKSHAFT, PISTON & CAMSHAFT





# L48N6-SMK (FOR MT-76D/86D,MTX-85DY)

## 5. LUB.OIL PUMP & GOVERNOR



L48N6-SMK (FOR MT-76D/86D, MTX-85DY)

2019/5/24

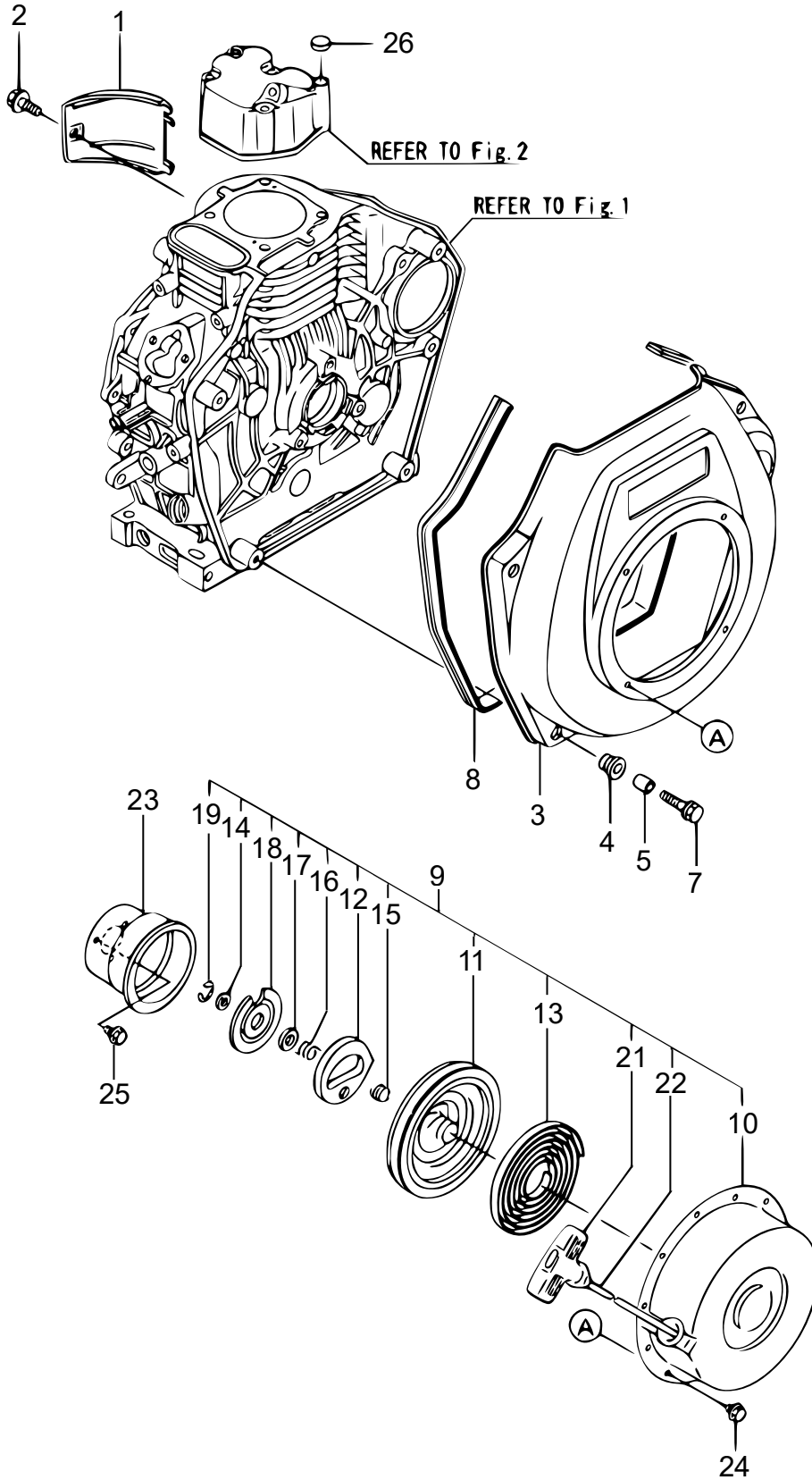
5. LUB. OIL PUMP & GOVERNOR

\*\* BGZ \*\*

REF NO.	PART NO.	PART NAME	Q' TY	MRK	MK2	REMARKS
1	114250-32010	PUMP ASSY, LUB. OIL	1			
7	114284-32070	COVER, LUB. OIL PUMP	1			
8	114299-32570	O-RING, COVER / L70V	1			
9	22312-030160	PARALLEL PIN 3X16	1			
10	26106-060122	BOLT M 6X 12 PLATED	3			
11	114299-35110	FILTER CMP, LUB. OIL / L70V	1			
13	24341-000224	O-RING 1A S-22.4	1			
14	26106-060162	BOLT M 6X 16 PLATED	1			
15	114295-61170	LEVER ASSY, GOVERNOR/ L48V	1			
21	114770-61190	WASHER	1			
22	714299-61701	GOVENOR ASSY / L48N6	1			
23	114299-61210	WEIGHT ASSY, GOVERNOR/L48N	1			
28	114770-61520	BEARING, NEEDLE	2			
29	114299-61600	SEAL, OIL	1			
30	114770-61610	WASHER, THRUST	1			
31	22322-030200	TAPER PIN 3X20	1			
43	114771-66050	HANDLE, REGULATOR	1			
44	26116-040088	BOLT 4X8	1			
47	114772-66100	BASE, REGULATOR HANDLE	1			
48	114252-66252	SPRING, RETURN	1			
49	114299-66440	BOLT, ADJUSTING	1			
50	114299-67080	BOLT, ADJUSTING / L48V	1			
52	26106-060302	BOLT M 6X 30 PLATED	2			
54	26756-060002	LOCK NUT M 6 PLATED	2			
56	114770-66010	SPRING, REGULATOR	1			
57	114299-66201	SPRING, RETURN	1			
58	114211-66600	LIMITER ASSY, FUEL / L48N6	1			
63	26776-100002	LOCK NUT M10 PLATED	1			
64	114780-61090	TIN	2			
65	22451-060000	WIRE 0.6	2			

# L48N6-SMK (FOR MT-76D/86D,MTX-85DY)

## 6. COOLING & STARTING DEVICE











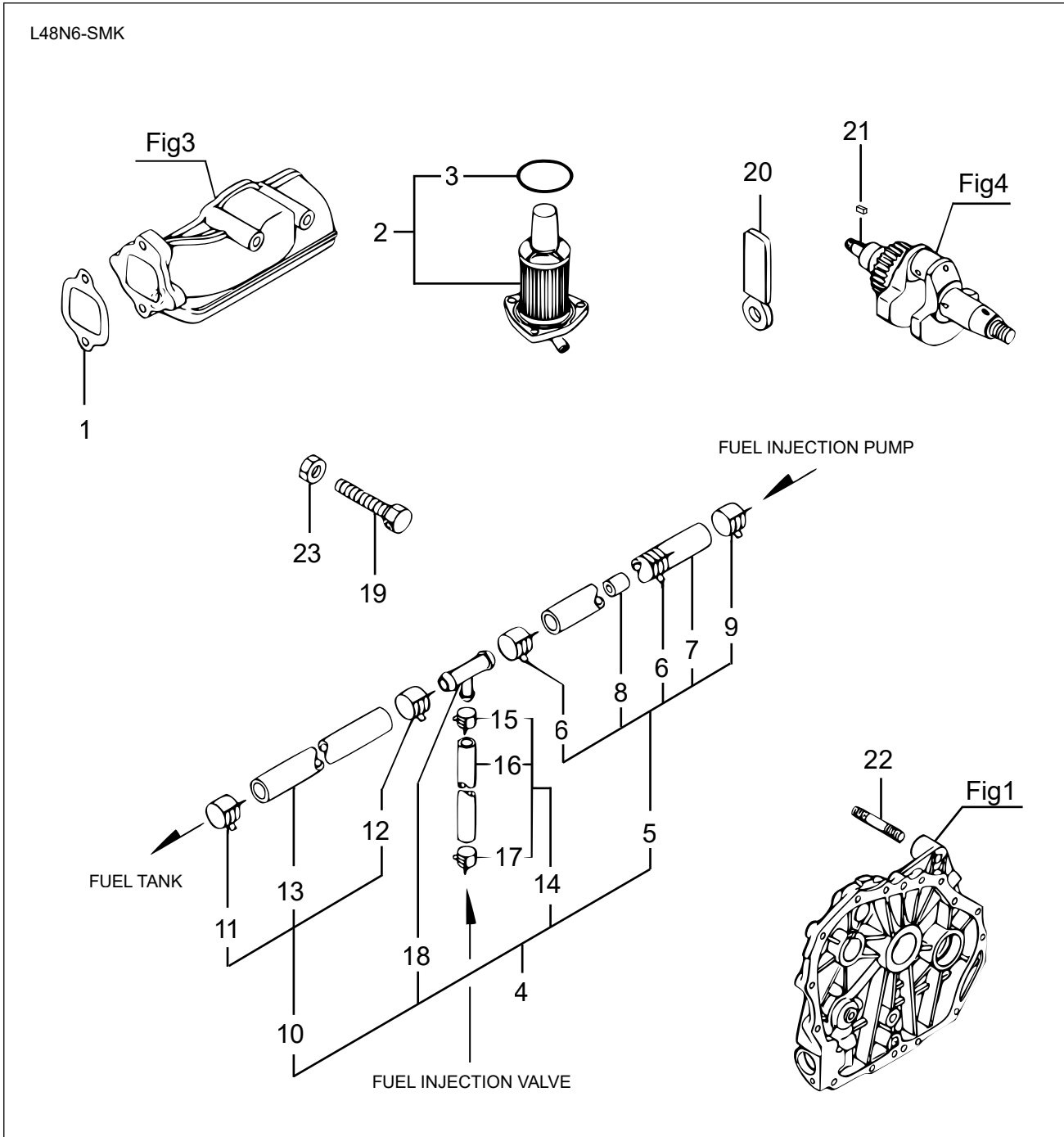




# L48N6-SMK (FOR MT-76D/86D,MTX-85DY)

## 9. ACCESSORIES

BHD0





*Mikasa*