

HAND PUMP AY

MVH-308

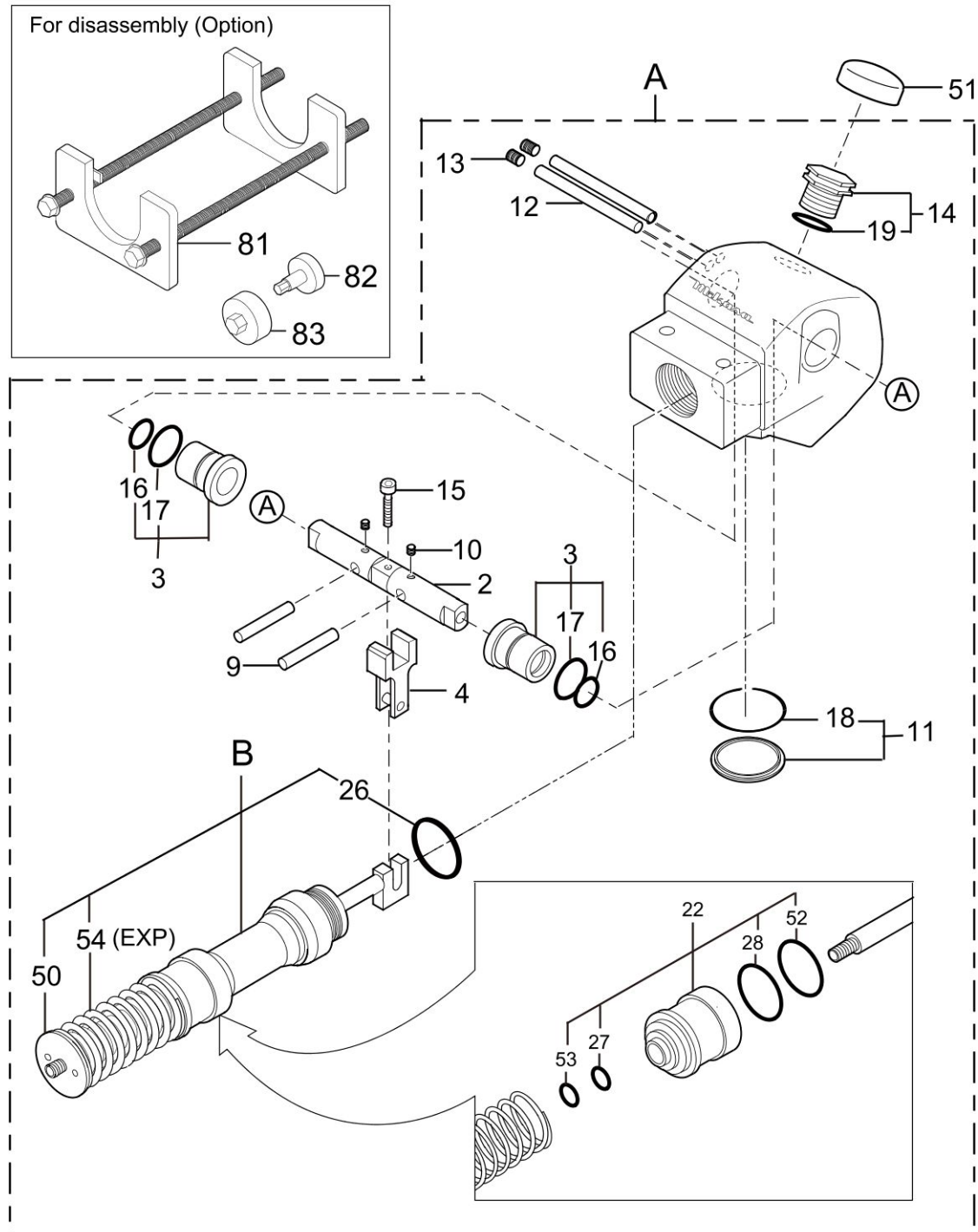
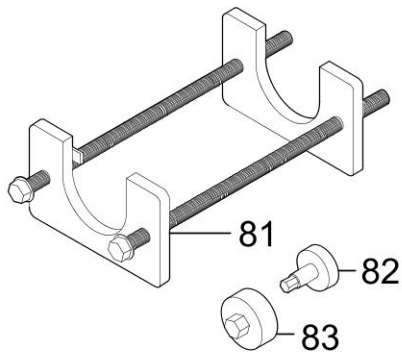
4WL0

HAND POMP AY(EXP.) / ハンドポンプ AY(輸出向)

◎:O-RING,DUST SEAL SET
(INCLUDES ITEMS W / Ref.No.16-19,26-28,52,53)

C

For disassembly (Option)



HAND PUMP AY

| NO. | PART/NO. | Parts Name | Q' TY | MK | MK2 | REMARKS |
|-----|------------|------------------------------|-------|----|-----|--------------|
| A | 4672-19140 | HAND PUMP (EXP.) /MVH-308 | 1 | | | |
| B | 4679-10020 | ACCUMULATOR CP/308/EXP | 1 | | | |
| C | 4649-10080 | O-RING & DUST, SEAL, SET | 1 | | | |
| 2 | 4640-10040 | CONTROL SHAFT (PUMP) MVH306 | 1 | | | |
| 3 | 4670-10020 | BUSH /MVH-308 | 2 | | | INCL. 16. 17 |
| 4 | 4640-10060 | CAM (PUMP) /MVH-306 | 1 | | | |
| 9 | 4640-10070 | STOPPER (PUMP) /MVH-306 | 2 | | | |
| 10 | 0992-05005 | SOCKET HEAD SCREW 5X5 T | 2 | | | |
| 11 | 4640-10080 | PLUG/MVH-306 | 1 | | | INCL. 18 |
| 12 | 4640-10090 | PIN, STOPPER (PUMP) /MVH-306 | 2 | | | |
| 13 | 4640-10100 | PLUG/MVH-306 | 2 | | | |
| 14 | 4580-10080 | BREATHER (PUMP) MVH100/150 | 1 | | | INCL. 19 |
| 15 | 0015-20620 | SOCKET HEAD BOLT 6X20 T | 1 | | | |
| 16 | 0502-00200 | O-RING P-20 | 2 | | | |
| 17 | 0502-00220 | O-RING P-22 | 2 | | | |
| 18 | 0503-00380 | O-RING S-38 | 1 | | | |
| 19 | 0502-00180 | O-RING P-18 | 1 | | | |
| 22 | 4640-10111 | ACCUMULATOR CASE/306 (NEW) | 1 | | | |
| 26 | 0503-00400 | O-RING S-40 | 1 | | | |
| 27 | 0502-00150 | O-RING P-15 | 1 | | | |
| 28 | 0501-00400 | O-RING G-40 | 1 | | | |
| 50 | 4640-10120 | SPRING PLUG /MVH-306 | 1 | | | |
| 51 | 4584-51630 | BREATHER CAP/ MVH-100/150 | 1 | | | |
| 52 | 0699-04010 | DUST SEAL SER-40 | 1 | | | |
| 53 | 0699-01010 | DUST SEAL SER-15 | 1 | | | |
| 54 | 4659-10080 | ACCUMULATOR, SPRING SET | 1 | | | SET |
| 81 | 9840-10060 | SPRG. COMPRESSION TOOL/EXP | 1 | | | TOOL, EXP |
| 82 | 9840-10040 | DISASSEMBLING TOOL A/306 | 1 | | | TOOL |
| 83 | 9840-10050 | DISASSEMBLING TOOL B/306 | 1 | | | TOOL |