
SERVICE SHEETS

WALK BEHIND POWER TROWEL

MODEL FP446
46 INCH, PETROL



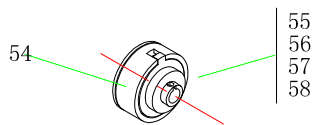
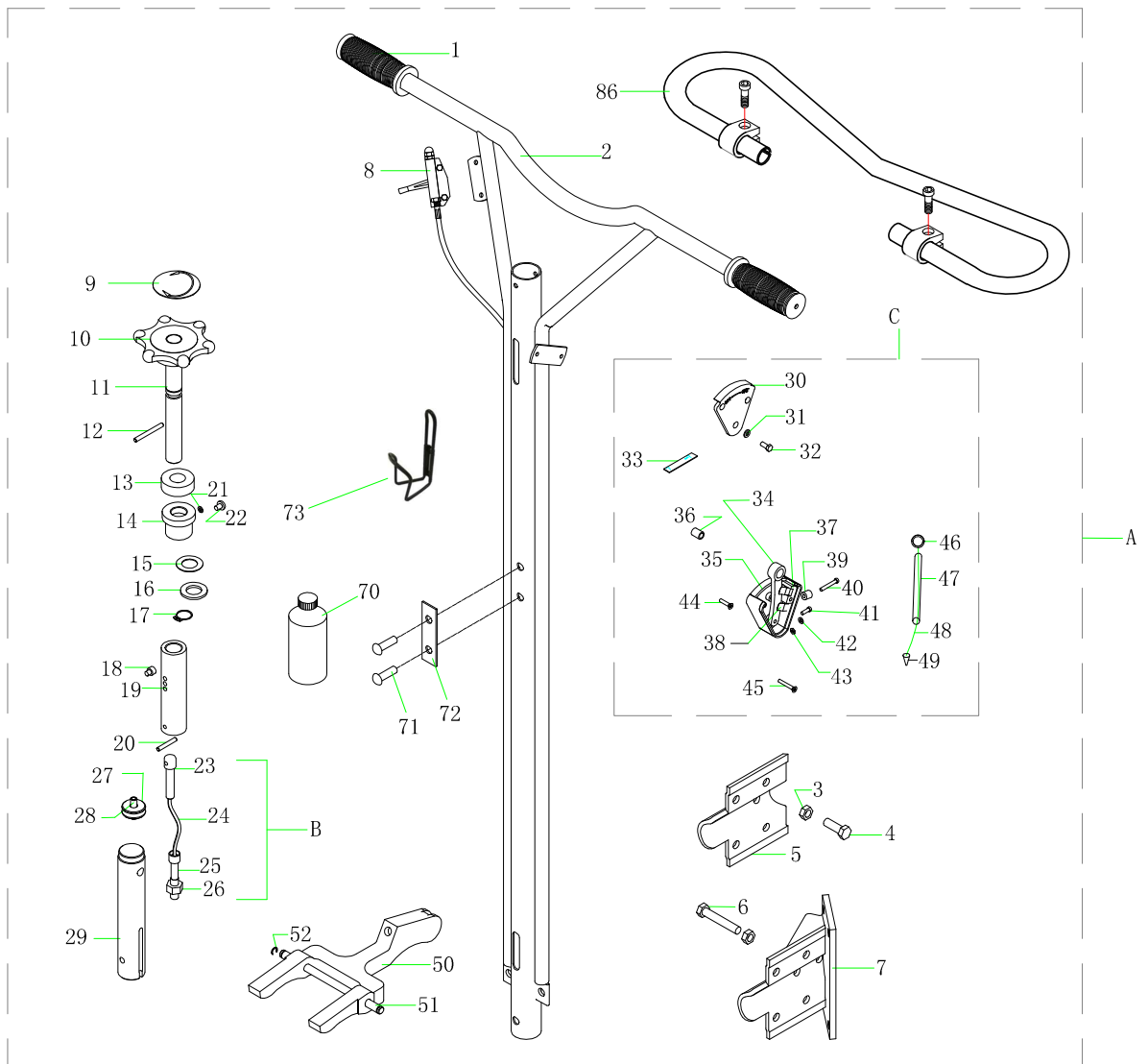
(Document Version No.16/06/2014)
Applies From Serial No. And After.

 **WARNING**

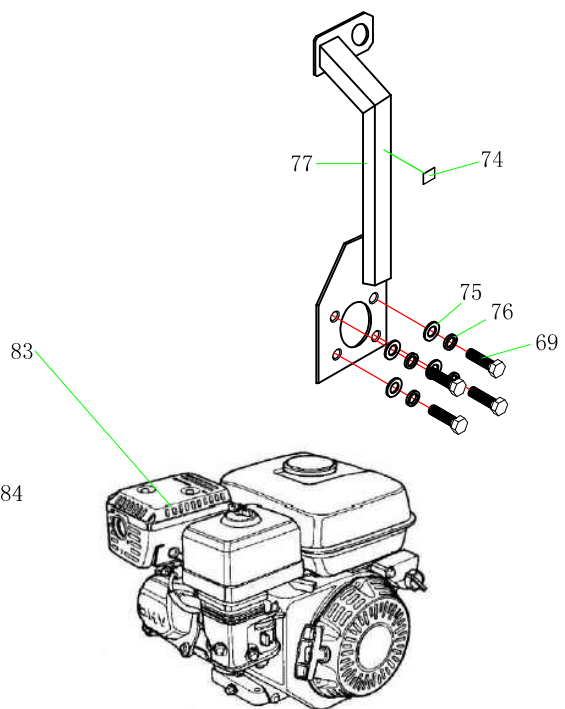
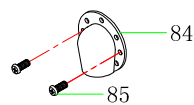
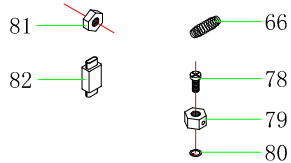
To reduce the risk of injury, all operators and maintenance personnel must read and understand these instructions before operating, changing accessories, or performing maintenance on this power equipment. All possible situations cannot be covered in these instructions. Care must be exercised by everyone using, maintaining or working near this equipment.



ITEM NO.	PART NO.	DESCRIPTION	QUANTITY	NOTES
1	F01433	LABEL, USE UNLEADED PETROL ONLY	1	
2	F03455	DECAL, SAFETY, PETROL MOTOR	1	
3	F03456	DECAL, SAFETY, POWER TROWEL	1	
4	F03451	DECAL, FLEXTOOL, 139MM X 38MM	1	
5	F03454	DECAL, FLEXTOOL, DIA.75MM	1	



NEW CLUTCH PART NO. TAKEN INTO EFFECT
ON DATE: 13/06/2013. & ONWARDS.





Flextool

SERVICE SHEET ISS. 16.06.2014.

WALK BEHIND TROWEL FP446 PARTS LIST

PART NO.

F03446

ITEM NO.	PART NO.	DESCRIPTION	QUANTITY
A	FTP4365000	HANDLE ASSY (INCL. A1 & A2 BELOW)	1
B	FTP4465512	WIRE ASSY	1
C	FTP4365200	STOP SWITCH ASSY	1
1	FTP9035	HAND GRIP	2
2	FTP4465100	HANDLE WELDING PART	1
3	FTP9016	NUT	1
4	FTP9018	SCREW	1
5	FTP4465301	UPPER JOINT PLATE	1
6	FTP9017	SCREW	4
7	FTP4465300	LOWER JOINT PLATE	1
8	HP-STL-CAB-2380	THROTTLE LEVER & CABLE, 2380MM	1
9	FTP10050303	DECAL	1
10	FTP4365501	HANDLE WHEEL	1
11	FTP4365503	ADJUST SHAFT	1
12	FTP9024	PIN	1
13	FTP9025	BEARING	1
14	FTP4365502	BEARING	1
15	FTP9033	WASHER	1
16	FTP4365504	WASHER	1
17	FTP9027	CIRCLIP	1
18	FTP9028	BOLT	1
19	FTP4365505	ADJUST SHAFT BUSHING	1
20	FTP9030	PIN	1
21	FTP9022	WASHER	1
22	FTP9026	SCREW	1
23	FTP4365506		
24	FTP9029		
25	FTP4365507		
26	FTP9016	NUT	1
27	FTP4365508	THROTTLE WIRE WHEEL	1
28	FTP9031	PIN	1
29	FTP4465511	WHEEL BUSHING	1
30	FTP4365201	SWITCH COVER	1
31	FTP9010	WASHER	3
32	FTP9011	SCREW	3
33	FTP9015	PLATE, DIRECTION	1
34	FTP4365202	SWITCH LEVER	1
35	FTP4365203	SWITCH HOUSING	1



Flextool

SERVICE SHEET ISS. 16.06.2014.

WALK BEHIND TROWEL FP446 PARTS LIST

PART NO.

F03446

ITEM NO.	PART NO.	DESCRIPTION	QUANTITY
36	FTP4365204	SPACER	1
37	FTP4365206	CONTACT HOLDER	1
38	FTP4365205	CONTACT	1
39	FTP4365207	SPACER	1
40	FTP9002	SCREW	1
41	FTP9001	SCREW	1
42	FTP9003	WASHER	1
43	FTP9004	NUT	1
44	FTP9006	SCREW	1
45	FTP1112	SCREW	1
46	FTP9007		1
47	FTP9008		1
48	FTP9009		1
49	FTP9012		1
50	FTP4465510	YOKE ARM	1
51	FTP4465509	YOKE ARM SHAFT	1
52		RETAINING RING	1
54	FTP4363000-2	CLUTCH ASSY - (Heavy Duty).	1
55	FTP9155	KEY	
56	FTP9075	SCREW	
57	FTP4463005	RETAINER	
58	F03443	SPACER	
66	F09987	SPRING, COMPRESSION, THROTTLE	1
69	F06721	SCREW	4
70	F03531	WATER BOTTLE, POWER TROWELS	1
71	F03538	BLIND RIVET, ALUMINIUM, 4.8MM X 14.3	2
72	F03537	PLATE, WATER BOTTLE, TROWELS	1
73	F03530	HOLDER, WATER BOTTLE, TROWELS	1
74	F03448	SERIAL NUMBER PLATE, FP440	1



Flextool

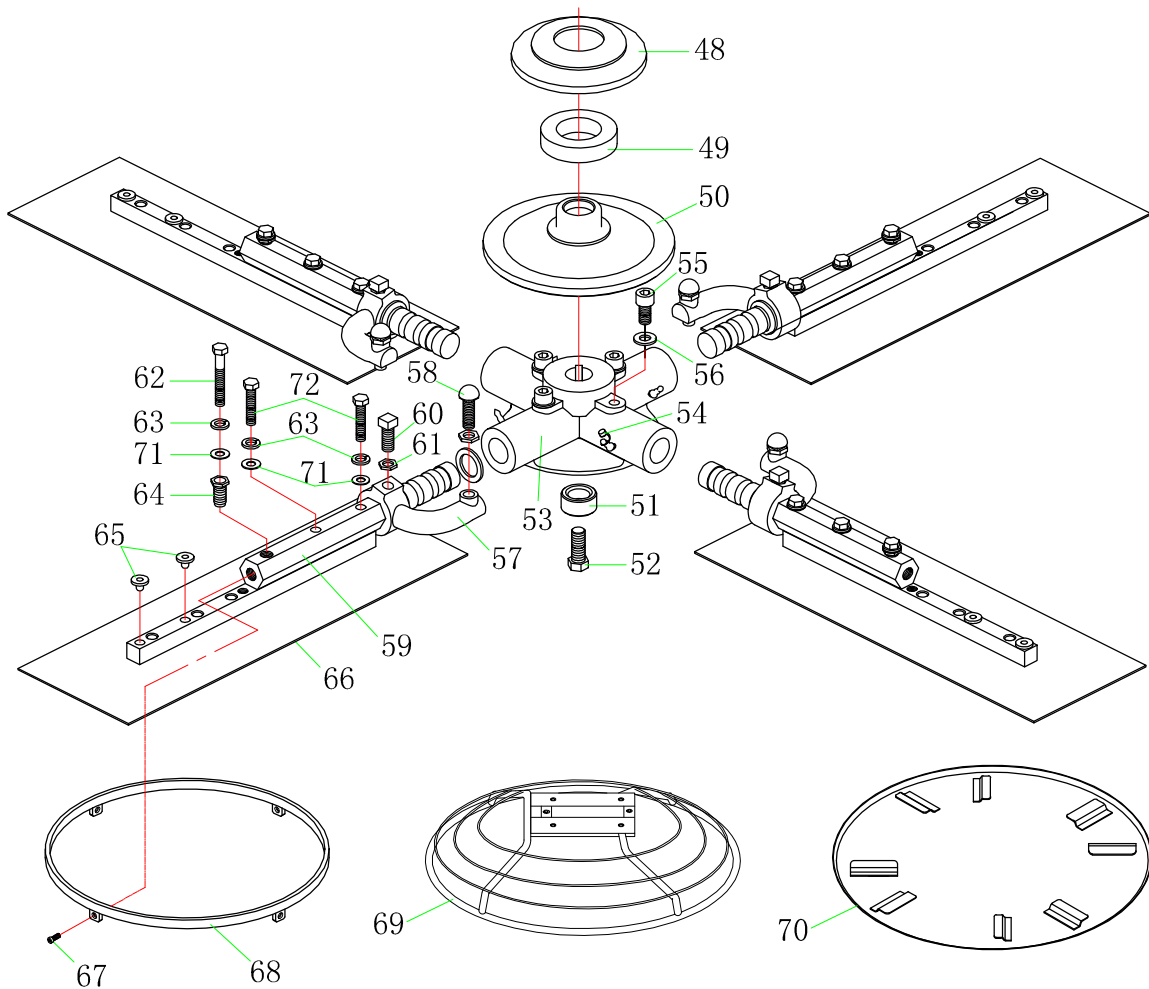
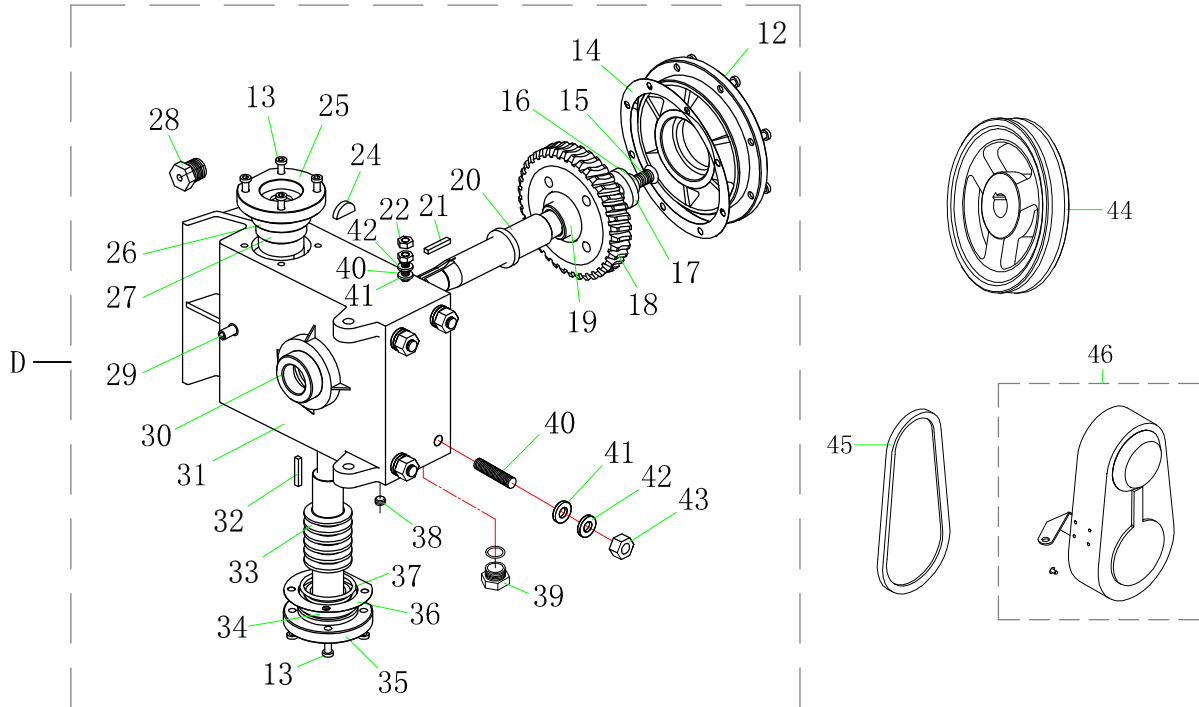
SERVICE SHEET ISS. 16.06.2014.

**WALK BEHIND TROWEL
FP446 PARTS LIST**

PART NO.

F03446

ITEM NO.	PART NO.	DESCRIPTION	QUANTITY
75	F04264	PLAIN WASHER	4
76	F06412	SPRING WASHER	4
77	FTP4468000	LIFTING HOOK, FP446	1
78	F01358	SCREW, PAN HEAD M4 X 0.8	1
79	H16594-883-010	HOLDER, WIRE	1
80	F01357	CIRCLIP, EXT. 5MM, "E" TYPE	1
81	F09216	NUT, M5 X 0.8	1
82	F03150	CONNECTOR, SCOT. CABLE CRIMP	1
83	F03273	MOTOR, HONDA GX390K1-QXU, 13.0HP	1
84	H18331-ZE2-810	DEFLECTOR, MUFFLER, HONDA GX270	1
85	F01766	SCREW, SELF TAP. NO.8 X 0.375" P.HEAD	2
86	F03553	D-HANDLE, POWER TROWEL FP446	1





SERVICE SHEET ISS: 16.06.2014.

**WALK BEHIND TROWEL
FP446 PARTS LIST**

PART NO.

F03446

ITEM NO.	PART NO.	DESCRIPTION	QUANTITY
D	FTP4464000	GEARBOX ASSY	1
12	FTP4464005	GEARBOX COVER	1
13	FTP9043	SCREW	16
14	FTP4464008	PLASTIC SHIMMING	1
15	FTP4364007	FLAT HEAD SCREW, MAIN SHAFT	1
16	FTP4364006	WASHER	1
17	FTP9144	BEARING	1
18	FTP4464010	BRONZE GEAR	1
19	FTP9222	BEARING	1
20	FTP4464011	MAIN SHAFT	1
21	FTP9154	KEY	1
22	FTP9091	NUT	2
24	FTP9156	KEY	1
25	FTP4464012	LEFT BEARING FLANGE	1
26	FTP9055	SEAL	1
27	FTP9143	BEARING	1
28	FTP4364100	RELEASE VALVE	1
30	FTP9153	SEAL	1
31	FTP4464003	GEARBOX CASING	1
32	FTP9054	KEY	1
33	FTP4464013	COUNTER SHAFT	1
34	FTP9141	BEARING	1
35	FTP4464014	RIGHT BEARING FLANGE	1
36	FTP4464015	PLASTIC SHIMMING	2
37	FTP9152	SEAL	2
38	FTP9053	PLUG	2
39	FTP9064	SIGHT GLASS	1
40	FTP9044	BOLT	5
41	FTP9047	WASHER	5
42	FTP9046	WASHER	5
43	FTP9045	NUT	4
44	FTP4462001	PULLEY	1
45	FTP9160	V-BELT. (B30 Size.)	1
46	FTP4462100	BELT GUARD ASSY	1
48	FTP4466002	PRESSURE PLATE COVER	1
49	FTP9140	BEARING	1
50	FTP4466003	PRESSURE PLATE	1



SERVICE SHEET ISS: 16.06.2014.

WALK BEHIND TROWEL FP446 PARTS LIST

PART NO.
F03446

ITEM NO.	PART NO.	DESCRIPTION	QUANTITY
	FTP4466000	SPIDER PLATE ASSY	1
51	FTP4466004	BUSHING	1
52	FTP9068	BOLT	1
53	FTP4466005	SPIDER PLATE	1
54	FTP9069	NIPPLE CAP	4
55	FTP9066	SCREW	4
56	FTP9046	WASHER	4
57	FTP4466006	ANGLE ARM	4
58	FTP9067	SCREW	4
59	FTP4466001	TROWEL ARM	4
60	FTP9065	SCREW	4
61	FTP9059	NUT	8
62	FTP9131	HEX BOLT, 5/16"-18UNC X 2"	4
63	FTP9037	SPRING WASHER	12
64	FTP4366007	ADJUSTING SCREW	4
67	FTP9147	SCREW	4
71	FTP9038	PLAIN WASHER	12
72	FTP9071	HEX BOLT, 5/16"-18UNC X 1.5"	8
65	FTP4366911	PLUG, PLASTIC	8
66*		BLADE-SEE BELOW	4
68	FTP4466103	STABILISER RING	1
69	FTP4467000	GUARD RING ASSY	1
70*		FLOAT PAN-SEE BELOW	1
73	FTP9036	HEX NUT	4
74	FTP4364004	SPRING WASHER	4
75	FTP9038	PLAIN WASHER	4
76		STUD	4
77	FTP9042	SCREW, H.S.C HEAD SCREW	6

COMPATIBLE ACCESSORIES:

BLADES

66	BR-20480	COMBINATION BLADE, 8" X 18"	4
	BR-20411	FLOATING BLADE, 10" X 18"	4
	BR-20410	FINISHING BLADE, 6" X 18"	4

FLOAT PANS

70	BR-11692	FLOAT PAN, 48.5", 29.4KG	1
	BR-11692F	FLOAT PAN, FLAT, 48.5", 29.4KG	1