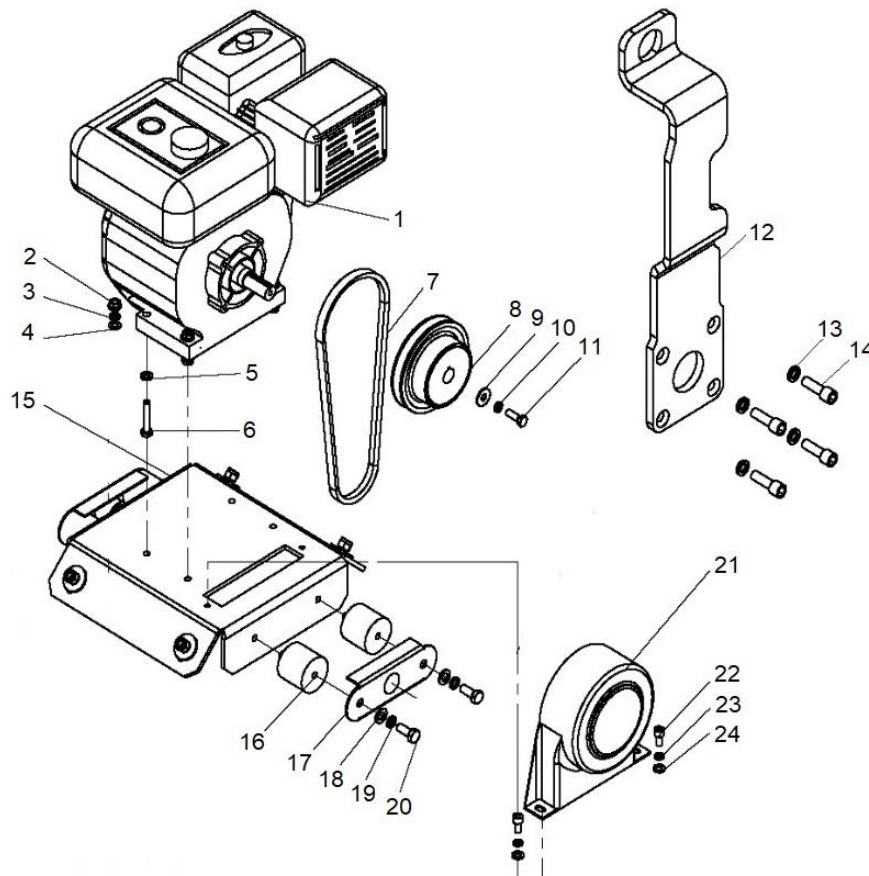




SPARE PARTS MANUAL

FLX PLATE COMPACTOR
FCP-87B

200414



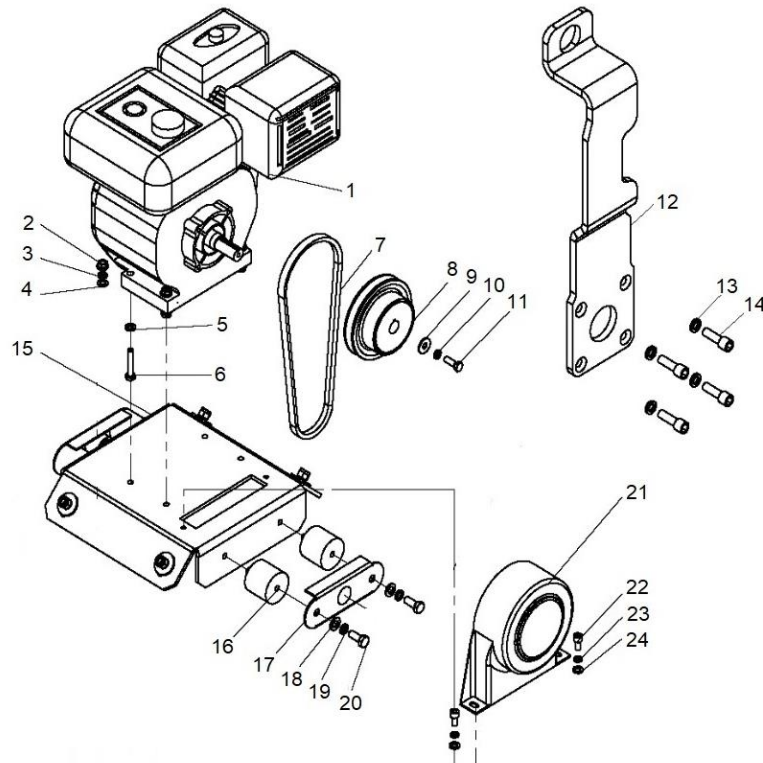
1300 353 986
www.flextool.com.au



Flextool[®]

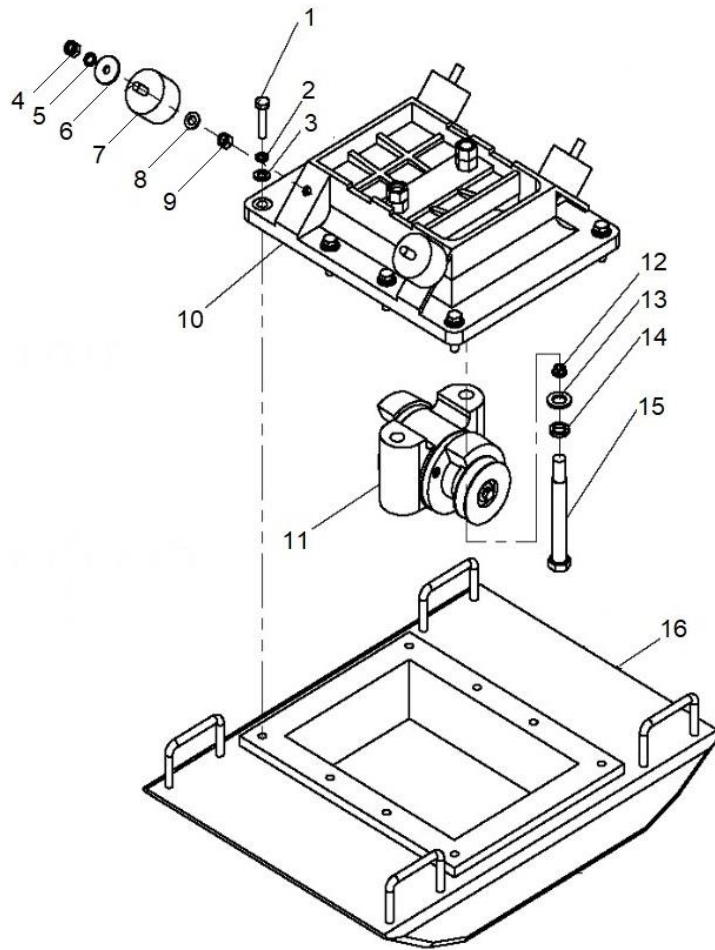
SINCE 1951

Parchem Construction Supplies Pty Ltd
7 Lucca Road, Wyong NSW AUS 2259



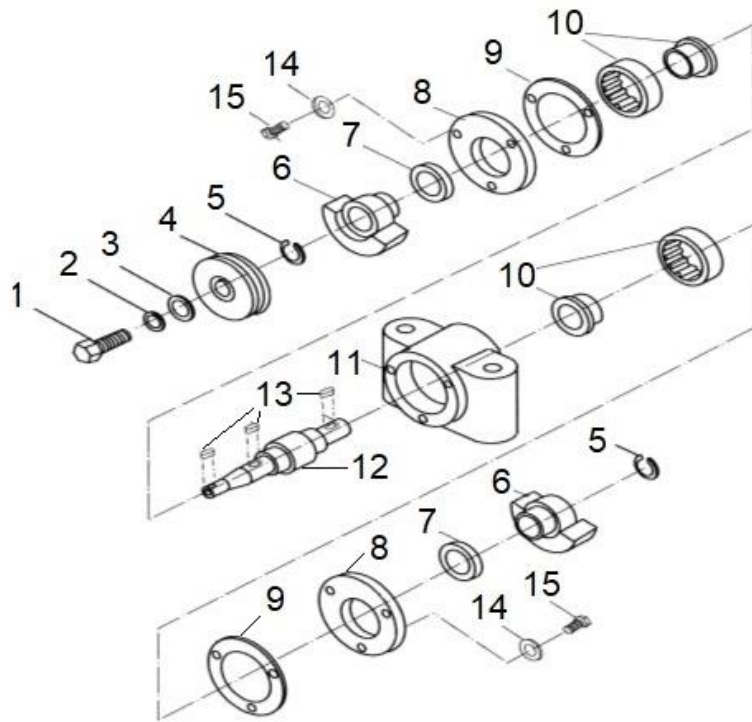
Flextool Plate Compactor FCP-87B - Engine & Clutch

Item No.	Product Code	Description	Qty	Remarks
1	NPS01628-UNIT	FLX HONDA ENGINE GX160 Q-TYPE (CNP200010)	1	
2	NPS01376-UNIT	FLX LOCK NUT 8MM (CNP200011)	4	
3	NPS01371-UNIT	FLX SPRING WASHER 8MM (CNP2000012 / CNP200002)	4	
4	NPS01372-UNIT	FLX FLAT WASHER 8MM (CNP200013 / CNP200008)	4	
5	NPS01384-UNIT	FLX FLAT WASHER 8MM (MUDGUARD) (CNP200016 / CNP200003)	4	
6	NPS01386-UNIT	FLX BOLT M8 X 40MM HEX (CNP200017)	4	
7	NPS00284-UNIT	FLX V-BELT 13X686-LI FCP-87B TYPE 1 (CNP200005)	1	Up to Serial No. E12-10623
	NPS00140-UNIT	FLX V-BELT 13X711-LI FCP-87B TYPE 2 (CNP200005-1)	1	From Serial No. E12-10624
8	NPS00283-UNIT	FLX CLUTCH ASSY FCP-87B TYPE 1 (CNP200004)	1	Up to Serial No. E12-10623
	NPS00141-UNIT	FLX CLUTCH ASSY FCP-87B TYPE 2 (CNP200004-1)	1	From Serial No. E12-10624
9	NPS01384-UNIT	FLX FLAT WASHER 8MM (MUDGUARD) (CNP200003)	1	
10	NPS01371-UNIT	FLX SPRING WASHER 8MM (CNP200002)	1	
11	NPS01383-UNIT	FLX BOLT M8 X 30MM SOCKET HEAD (CNP200001)	1	
12	NPS02891-UNIT	FLX LIFTING HOOK (CNP200043-1)	1	
13	NPS01372-UNIT	FLX FLAT WASHER 8MM (CNP200043-3 / CNP200008)	4	
14	NPS01391-UNIT	FLX BOLT M8 X 20MM SOCKET HEAD (CNP200043-2)	4	
15	NPS01408-UNIT	FLX ENGINE MOUNTING PLATE (CNP200015)	1	
16	NPS01399-UNIT	FLX RUBBER MOUNT (HANDLE) (CNP200032)	4	
17	NPS01397-UNIT	FLX HANDLE ADAPTOR PLATE (CNP200031)	2	
18	NPS01374-UNIT	FLX FLAT WASHER 10MM (CNP200030 / CNP200022)	4	
19	NPS01373-UNIT	FLX SPRING WASHER 10MM (CNP200029 / CNP200019)	4	
20	NPS01389-UNIT	FLX BOLT M10 X 20MM HEX (CNP200028)	4	
21	NPS00282-UNIT	FLX BELT GUARD FCP-87B & CP80 (CNP200009)	1	
22	NPS01385-UNIT	FLX BOLT M8 X 20MM SOCKET HEAD (CNP200006)	2	
23	NPS01371-UNIT	FLX SPRING WASHER 8MM (CNP200007 / CNP200002)	2	
24	NPS01372-UNIT	FLX FLAT WASHER 8MM (CNP200008)	2	



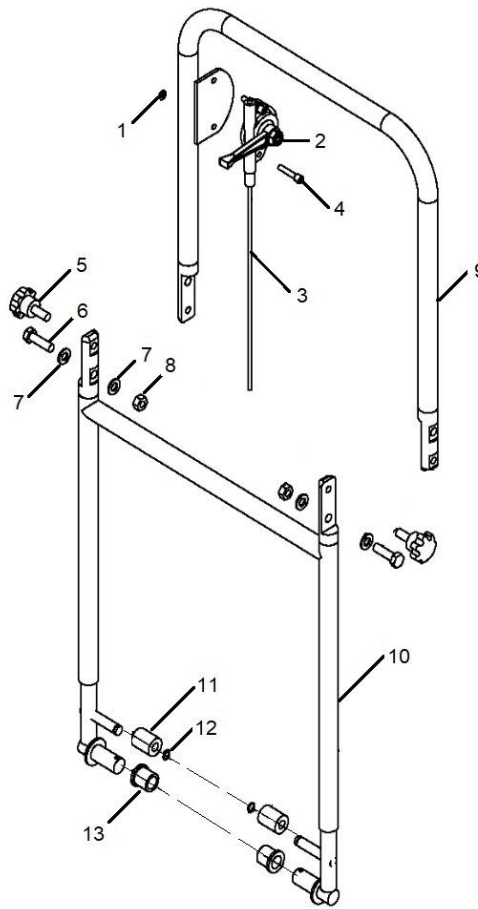
Flex tool Plate Compactor FCP-87B – Base

Item No.	Product Code	Description	Qty	Remarks
1	NPS01392-UNIT	FLX BOLT M12 X 45MM HEX (CNP200024)	8	
2	NPS01377-UNIT	FLX SPRING WASHER 12MM (CNP200025)	8	
3	NPS01378-UNIT	FLX FLAT WASHER 12MM (CNP200026)	8	
4	NPS01387-UNIT	FLX LOCK NUT 10MM (CNP200018)	4	
5	NPS01373-UNIT	FLX SPRING WASHER 10MM (CNP200019)	4	
6	NPS01388-UNIT	FLX FLAT WASHER 10MM (MUDGUARD) (CNP200020)	4	
7	NPS01398-UNIT	FLX RUBBER MOUNT (CNP200021)	4	
8	NPS01374-UNIT	FLX FLAT WASHER 10MM (CNP200022)	4	
9	NPS01387-UNIT	FLX NUT M10 (CNP200023 / CNP200018)	4	
10	NPS00459-UNIT	FLX EXCITOR BASE SUPPORT MTO (CNP200027)	1	
11	NPS01073-UNIT	FLX VIBRATOR ASSY COMPACTOR (CNP200037)	1	
12	NPS00463-UNIT	FLX NUT M16 (CNP200044)	4	
13	NPS00460-UNIT	FLX FLAT WASHER M18 (CNP200038)	2	
14	NPS00461-UNIT	FLX SPRING WASHER M18 (CNP200039)	2	
15	NPS00462-UNIT	FLX BOLT M16 X 150MM (CNP200040)	2	
16	NPS00143-UNIT	FLX COMPACTOR BASE ASSY FCP87-B (CNP200041)	1	



Flextool Plate Compactor FCP-87B – Exciter

Item No.	Product Code	Description	Qty	Remarks
1	NPS01381-UNIT	FLX BOLT M8 X 20MM HEX (CNP200027-01)	1	
2	NPS01371-UNIT	FLX SPRING WASHER 8MM (CNP200027-02 / CNP200002)	1	
3	NPS01372-UNIT	FLX FLAT WASHER 8MM (CNP200027-03 / CNP200008)	1	
4	NPS01402-UNIT	FLX PULLEY (CNP200027-04)	1	
5	NPS01394-UNIT	FLX CIRLIP 24MM (CNP200027-05)	2	
6	NPS01404-UNIT	FLX VIBRATOR WEIGHT (CNP200027-06)	2	
7	NPS01400-UNIT	FLX OIL SEAL 35MM X 52MM X 7MM (CNP200027-07)	2	
8	NPS01401-UNIT	FLX FLANGE (CNP200027-08)	2	
9	NPS01396-UNIT	FLX GASKET (CNP200027-09)	2	
10	NPS01407-UNIT	FLX BEARING 42306 (CNP200027-10)	2	
11	NPS01409-UNIT	FLX VIBRATOR BODY (CNP200027-11)	1	
12	NPS01405-UNIT	FLX MAINSHAFT (CNP200027-12)	1	
13	NPS01375-UNIT	FLX KEY (CNP200027-13)	3	
14	NPS01370-UNIT	FLX SPRING WASHER 6MM (CNP200027-14)	6	
15	NPS01382-UNIT	FLX BOLT M6 X 25MM SOCKET HEAD (CNP200027-15)	6	



Flextool Plate Compactor FCP-87B - Handle

Item No.	Product Code	Description	Qty	Remarks
1	NPS01380-UNIT	FLX LOCK NUT 6MM (CNP200042-10)	1	
2	NPS90043-UNIT	FLX THROTTLE LEVER FCP-87B NEW TYPE (CNP200042-9)	1	
3	NPS90042-UNIT	FLX THROTTLE CABLE FCP-87B NEW TYPE (CNP200042-11)	1	
4	NPS01390-UNIT	FLX BOLT M6 X 30MM (CNP200042-7)	2	
5	NPS01395-UNIT	FLX HANDLE BOLT KNOB (CNP200042-3)	2	
6	NPS01393-UNIT	FLX BOLT M10 X 35MM HEX (CNP200042-4)	2	
7	NPS01374-UNIT	FLX FLAT WASHER 10MM (CNP200042-5 / CNP200022)	4	
8	NPS01387-UNIT	FLX LOCK NUT 10MM (CNP200042-6 / CNP200018)	2	
9	NPS01403-UNIT	FLX HANDLE SECTION UPPER (CNP200042-1)	1	
10	NPS01406-UNIT	FLX HANDLE SECTION LOWER (CNP200042-2)	1	
11	NPS00286-UNIT	FLX HANDLE STOPPER RUBBER (CNP200035)	2	
12	NPS01379-UNIT	FLX CIRLIP 12MM (CNP200033)	2	
13	NPS00142-UNIT	FLX HANDLE SLEEVE (CNP200034)	2	