

---

## SERVICE SHEETS

---

### 36" WALK BEHIND TROWEL – DIESEL VERSION

Model FP436D



#### WARNING

To reduce the risk of injury, all operators and maintenance personnel must read and understand the operating instructions before operating, changing accessories, or performing maintenance on this power equipment. All possible situations cannot be covered in the Op. instructions. Care must be exercised by everyone using, maintaining or working near this equipment.



# Flextool

SERVICE SHEET

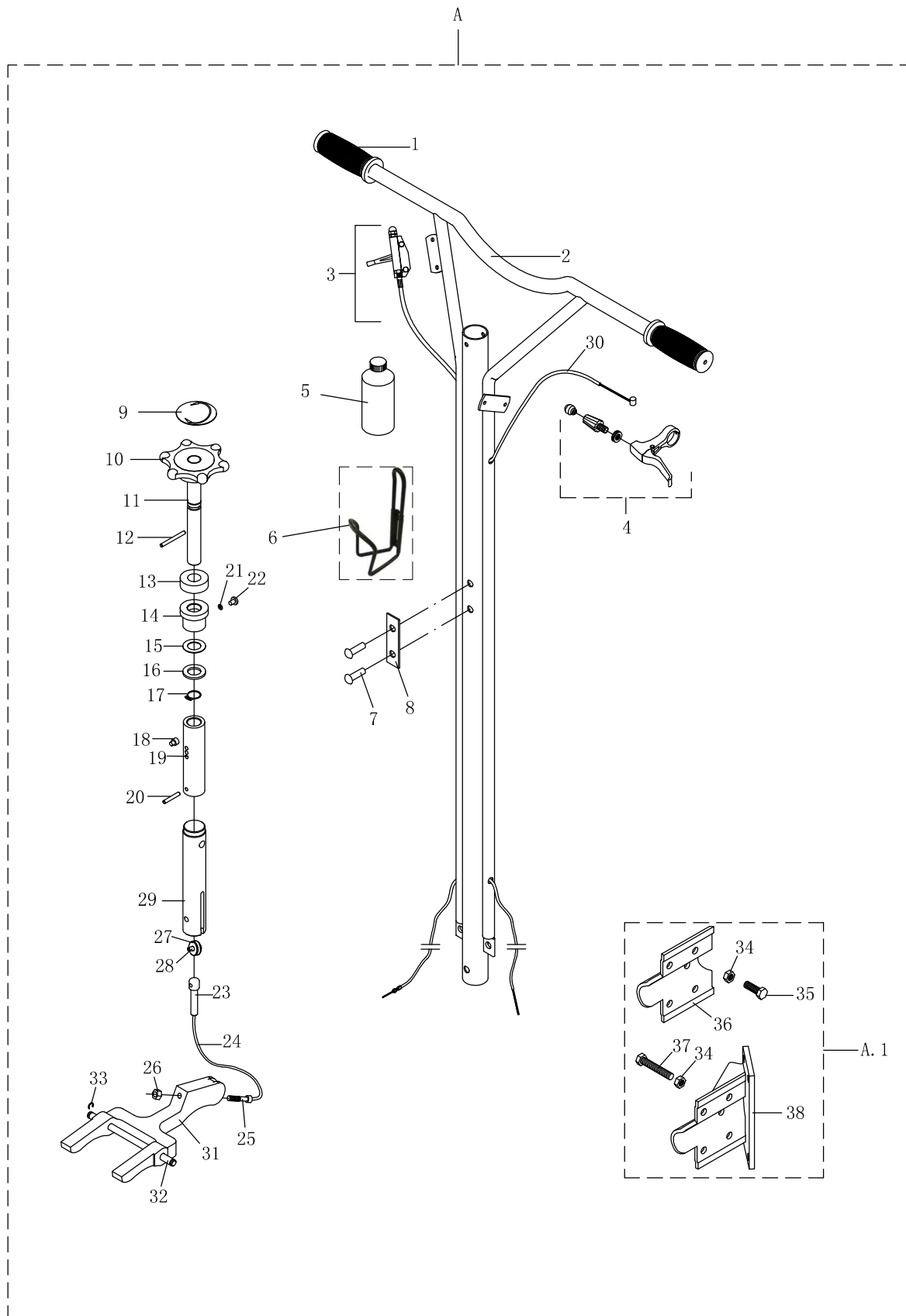
ISSUE 23.11.2011.

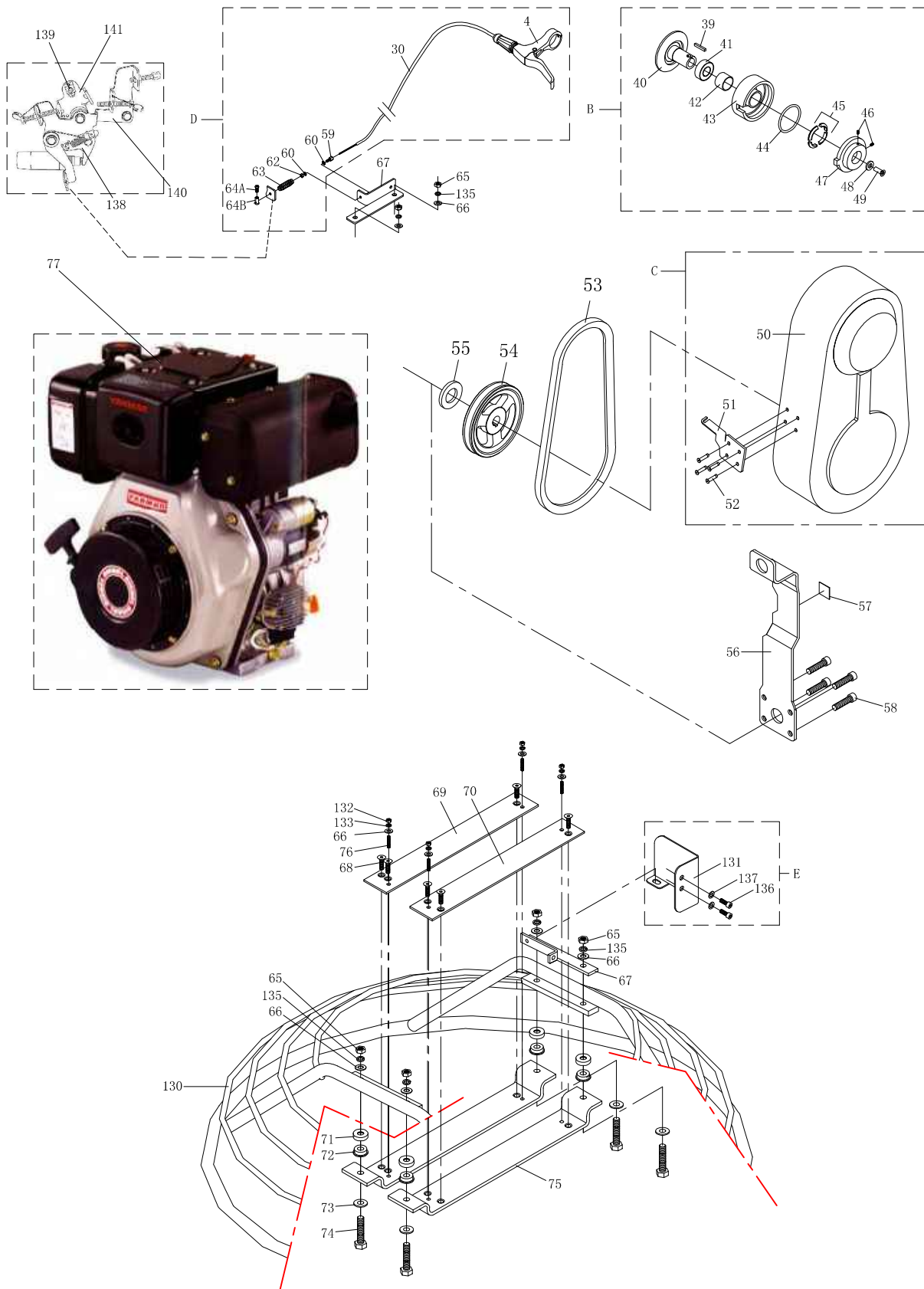
WALK BEHIND POWER TROWEL  
FP436D  
(YANMAR DIESEL MOTOR L48N6-MTMR, 3.1KW)

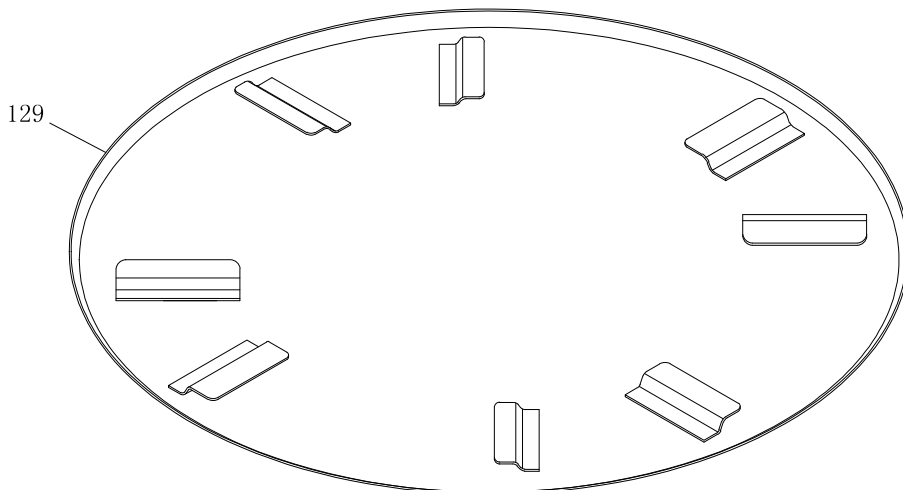
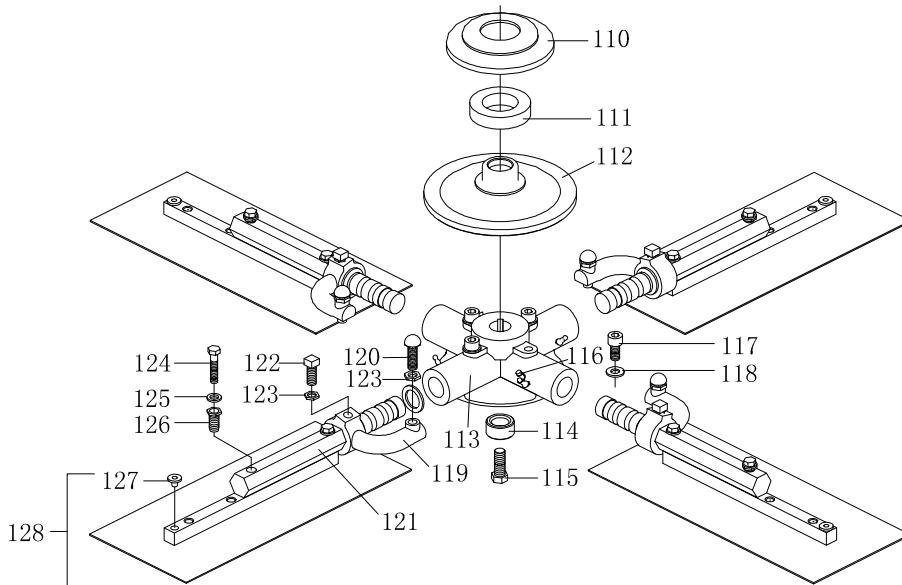
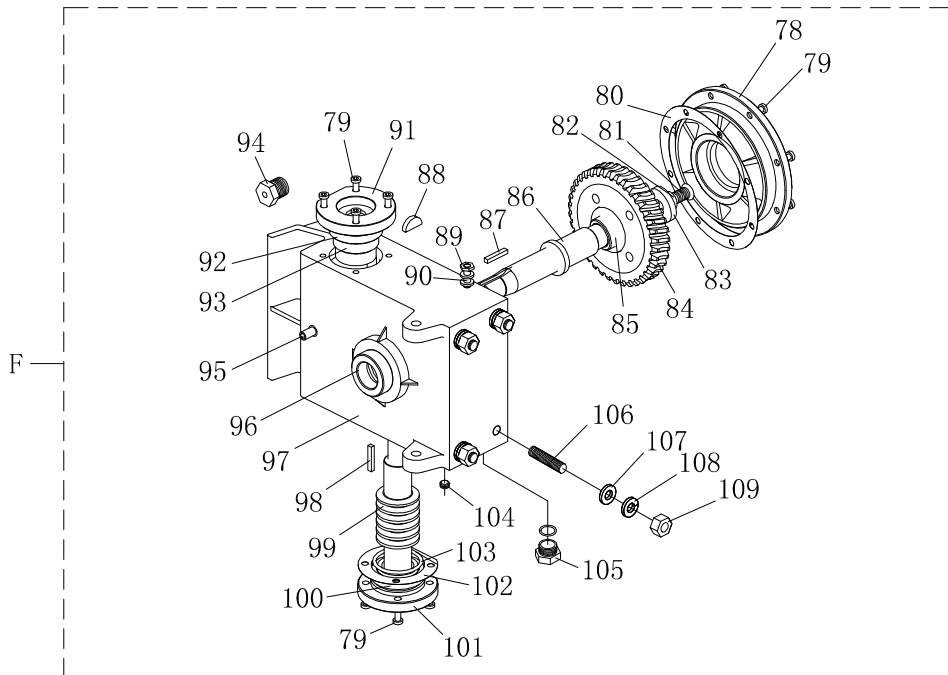
PART NO.  
F03436D



ITEM NO.	PART NO.	DESCRIPTION	QUANTITY	NOTES
0.1	F03455	DECAL, SAFETY, MOTOR	1	
0.2	F03456	DECAL, SAFETY, POWER TROWEL	1	
0.3	F03454	DECAL, FLEXTOOL, DIA.75MM	1	
0.4	F03468	NAME PLATE, FLEXTOOL, TROWELS/CP90	1	









# Flextool

SERVICE SHEET ISSUE 23.11.2011.

## WALK BEHIND TROWEL - Diesel. FP436D PARTS LIST

**PART NO.  
F03436D**

ITEM NO.	PART NO.	DESCRIPTION	QUANTITY
<b>A</b>	<b>FTP4365000</b>	<b>HANDLE ASSY (INCL. A1 BELOW)</b>	<b>1</b>
1	FTP9035	HAND GRIP	2
2	FTP4365100	HANDLE WELDING PART	1
3	HP-STL-CAB-2380	THROTTLE LEVER & CABLE, 2380MM	1
4	FPS124100013	SAFETY SWITCH ASSY, W/O CABLE	1
5	F03531	WATER BOTTLE, POWER TROWELS	1
6	F03530	HOLDER, WATER BOTTLE, TROWELS	1
7	F03538	BLIND RIVET, ALUMINIUM, 4.8MM X 14.3	2
8	F03537	PLATE, WATER BOTTLE, TROWELS	1
9	FTP10050303	DECAL	1
10	FTP4365501	HANDLE WHEEL	1
11	FTP4365503	ADJUST SHAFT	1
12	FTP9024	PIN	1
13	FTP9025	BEARING	1
14	FTP4365502	BEARING	1
15	FTP9033	WASHER	1
16	FTP4365504	WASHER	1
17	FTP9027	CIRCLIP	1
18	FTP9028	BOLT	1
19	FTP4365505	ADJUST SHAFT BUSHING	1
20	FTP9030	PIN	1
21	FTP9022	WASHER	1
22	FTP9026	SCREW	1
23	FTP4365506	CABLE CONNECTOR	1
24	FTP9029	STEEL WIRE CABLE	1
25	FTP4365507	CABLE CONNECTOR, SCREW	1
26	FTP9016	NUT	1
27	FTP4365508	THROTTLE WIRE WHEEL	1
28	FTP9031	PIN	1
29	FTP4365511	WHEEL BUSHING	1
30	FPS124100012	SAFETY SWITCH CABLE	1
31	FTP4365510	YOKE ARM	1
32	FTP4365509	YOKE ARM SHAFT	1
33	FTP9034	RETAINING RING	1
A.1	<i>FTP4365300</i>	<i>HANDLE SUPPORT PLATE ASSY</i>	<i>1</i>
34	FTP9016	NUT	5
35	FTP9017	SCREW	4
36	FTP4365301	UPPER JOINT PLATE	1
37	FTP9018	SCREW	1
38	FTP4365302	LOWER JOINT PLATE	1



# Flextool

SERVICE SHEET ISSUE 23.11.2011.

## WALK BEHIND TROWEL - Diesel. FP436D PARTS LIST

**PART NO.  
F03436D**

ITEM NO.	PART NO.	DESCRIPTION	QUANTITY
<b>B</b>	<b>FTP4363000</b>	<b>CLUTCH ASSY</b>	<b>1</b>
39	FTP9076	KEY	1
40	FTP4363001	SPINDLE	1
41	FTP9075	BEARING	1
42	FTP4363006	BUSHING	1
43	FTP4363002	DRUM	1
44	FTP9077	SPRING	1
45	FTP4363004	WEIGHT ASSY	1
46	FTP9078	SCREW	2
47	FTP4363003	FACE PLATE	1
48	F08839	RETAINER, CLUTCH	1
49	F06721	S.CAP SCREW, 0.312"UNF X 1"	1
<b>C</b>	<b>FTP4362100D-SM</b>	<b>BELT GUARD ASSY, 36" DIESEL TROWEL</b>	<b>1</b>
50	FTP4362100	BELT GUARD ASSY (CKD)	1
51	F03481	BRACKET, BELT GUARD (ADD-ON)	1
52	F03538	BLIND RIVET, ALUMINIUM, 4.8MM X 14.3	4
53	F09324	V-BELT, A27	1
54	FTP4362001	PULLEY	1
55	F01961	SPACER, DIAM. BLADE 20MM X 25.4 X 6	1
56	F02891	LIFTING HOOK	1
57	F03438	SERIAL NUMBER PLATE, FP436	1
58	F06350	SCREW, S.CSK 0.312"UNF X 0.75"	4
59	F03487	SCREW, CABLE HOLDER, SAFETY SWITCH	1
60	FTP9038	PLAIN WASHER, M8	2
61	n/a	n/a	n/a
62	F03488	NUT, CABLE HOLDER, SAFETY SWITCH	1
63	F09987	SPRING, COMPRESSION, THROTTLE	1
64A	FTP9019	SCREW, CABLE HOLDER, TROWELS	1
64B	FTP4365403	NUT, CABLE HOLDER, TROWELS	1
67	F03482	BRACKET, SAFETY SWITCH CABLE	1
77	F01710	ENGINE, YANMAR DIESEL, L48N6-MTMR	1



# Flextool

SERVICE SHEET ISSUE 23.11.2011.

## WALK BEHIND TROWEL - Diesel. FP436D PARTS LIST

**PART NO.  
F03436D**

ITEM NO.	PART NO.	DESCRIPTION	QUANTITY
<b>FTP4364001D-SM MOUNTING PLATE ASSY, 36" DIESEL TROWEL</b>			<b>1</b>
65	FTP9036	HEX NUT	4
66	FTP9038	PLAIN WASHER, M8	8
68	FTP9042	SCREW, C.SUNK M8 X 1 X 25	6
69	F03459	MOTOR BASE PLATE, RIGHT	1
70	F03479	MOTOR BASE PLATE, LEFT	1
71	FTP4364002	STEEL BOWL	4
72	FTP4364009	RUBBER WASHER	4
73	FTP9039	PLAIN WASHER	4
74	FTP9040	BOLT, HEX HEAD	4
75	FTP4364001	MOUNTING PLATE	2
76	F03486	STUD, M8 X 1, 40MM	4
132	FTP9036	HEX NUT	4
133	FTP4364004	SPRING WASHER	4
134	n/a	n/a	n/a
135	FTP9037	SPRING WASHER	4
<b>E FTP4364000 GEARBOX ASSY</b>			<b>1</b>
78	FTP4364005	GEARBOX COVER	1
79	FTP9043	SCREW	16
80	FTP4364008	PLASTIC SHIMMING	1
81	FTP4364007	FLAT HEAD SCREW, MAIN SHAFT	1
82	FTP4364006	WASHER	1
83	FTP9049	BEARING	1
84	FTP4364010	BRONZE GEAR	1
85	FTP9048	BEARING	1
86	FTP4364011	MAIN SHAFT	1
87	FTP9051	KEY	1
88	FTP9059	NUT	1
89	FTP9060	BOLT	1
90	FTP9052	KEY	1
91	FTP4364012	LEFT BEARING FLANGE	1
92	FTP9055	SEAL	1
93	FTP9057	BEARING	1
94	FTP4364100	RELEASE VALVE	1
95	FTP9062	SCREW	2
96	FTP9050	SEAL	1
97	FTP4364003	GEARBOX CASING	1
98	FTP9054	KEY	1
99	FTP4364013	COUNTER SHAFT	1
100	FTP9063	BEARING	1





# Flextool

SERVICE SHEET ISSUE 23.11.2011.

## WALK BEHIND TROWEL - Diesel. FP436D PARTS LIST

PART NO.  
F03436D

ITEM NO.	PART NO.	DESCRIPTION	QUANTITY
101	FTP4364014	RIGHT BEARING FLANGE	1
102	FTP4364015	PLASTIC SHIMMING	2
103	FTP9056	SEAL	1
104	FTP9053	PLUG	1
105	FTP9064	SIGHT GLASS	1
106	FTP9044	BOLT	4
107	FTP9047	WASHER	5
108	FTP9046	WASHER	5
109	FTP9045	NUT	5
110	FTP4366002A	PRESSURE PLATE COVER	1
111	FTP9070A	BEARING	1
112	FTP4366003A	PRESSURE PLATE	1
	<b>FTP4366000A</b>	<b>SPIDER PLATE ASSY</b>	<b>1</b>
113	FTP4366005	SPIDER PLATE	1
114	FTP4366004	BUSHING	1
115	FTP9068	BOLT	1
116	FTP9069	NIPPLE CAP	4
117	FTP9066	SCREW	4
118	FTP9046	WASHER	4
119	FTP4366006	ANGLE ARM	4
120	FTP9067	SCREW	4
121	FTP4366001	TROWEL ARM	4
122	FTP9065	SCREW	4
123	FTP9059	NUT	8
124	FTP9071	BOLT	8
125	FTP9037	SPRING WASHER	8
126	FTP4366007	SCREW ADJUSTER	4
127	FTP4366911	PLASTIC PLUG, TROWEL BLADE	4
128*	SEE BELOW	TROWEL BLADE	4
129*	SEE BELOW	FLOAT PAN	1
130	FTP4367000	GUARD RING ASSY	1
131	F03489	SPLASH GUARD	1
136	FTP9118	S.H. CAP SCREW, M8 X 20, Z/P	2
137	FTP9038	PLAIN WASHER, M8	2
138	YR114652-66150	STOP LEVER, DIESEL MOTOR	1
139	YR114654-66140	PIECE, DIESEL MOTOR	1
140	YR114652-66881	BRACKET LEVER, DIESEL MOTOR	1
141	YR114652-66871	LEVER, REGULATOR, DIESEL MOTOR	1



# Flextool

SERVICE SHEET ISSUE 23.11.2011.

## WALK BEHIND TROWEL - Diesel. FP436D PARTS LIST

**PART NO.  
F03436D**

ITEM NO.	PART NO.	DESCRIPTION	QUANTITY
----------	----------	-------------	----------

**COMPATIBLE ACCESSORIES:****BLADES**

128	BR-20479	COMBINATION BLADE, 8" X 14"	4
	BR-20479P	PLASTIC COMBO BLADE, 8" X 14"	4
	BR-20415	FLOATING BLADE, 10" X 14"	4
	BR-20414	FINISHING BLADE, 6" X 14"	4

**FLOAT PANS**

129	BR-11691	FLOAT PAN, 36.5", 17.6KG	1
	BR-11691F	FLOAT PAN, FLAT, 36.5", 17.6KG	1

**COMPLETE ASSEMBLIES:**

A	FTP4365000	HANDLE ASSY
B	FTP4363000	CLUTCH ASSY
C	FTP4362100-KT	BELT GUARD ASSY
F	FTP4364000	GEARBOX ASSY
G	FTP4366000A	SPIDER PLATE ASSY
130	FTP4367000	GUARD RING ASSY

**SERVICE KITS:**

<b>D</b>	<b>F03483-KT</b>	<b>SERVICE KIT, SAFETY SWITCH ASSY</b>	<b>1</b>
4	F03483	SAFETY SWITCH ASSY, W/O CABLE	1
30	F03484	SAFETY SWITCH CABLE	1
59	F03487	SCREW, CABLE HOLDER, SAFETY SWITCH	1
60	FTP9038	PLAIN WASHER, M8	2
62	F03488	NUT, CABLE HOLDER, SAFETY SWITCH	1
63	F09987	SPRING, COMPRESSION, THROTTLE	1
64A	FTP9019	SCREW, CABLE HOLDER, TROWELS	1
64B	FTP4365403	NUT, CABLE HOLDER, TROWELS	1
<b>E</b>	<b>F03489-KT</b>	<b>SERVICE KIT, SPLASH GUARD</b>	<b>1</b>
131	F03489	SPLASH GUARD	1
136	FTP9118	S.H. CAP SCREW, M8 X 20, Z/P	2
137	FTP9038	PLAIN WASHER, M8	2



# Flextool

SERVICE SHEET ISSUE 23.11.2011.

## WALK BEHIND TROWEL - Diesel. FP436D PARTS LIST

PART NO.  
F03436D

ITEM NO.	PART NO.	DESCRIPTION	QUANTITY
----------	----------	-------------	----------

### SPARE PARTS:

0.1	F03455	DECAL, SAFETY, MOTOR
0.2	F03456	DECAL, SAFETY, POWER TROWEL
0.3	F03454	DECAL, FLEXTOOL, DIA.75MM
0.4	F03468	NAME PLATE, FLEXTOOL, TROWELS/CP90
1	FTP9035	HAND GRIP
3	HP-STL-CAB-2380	THROTTLE LEVER & CABLE, 2380MM
4	F03483	SAFETY SWITCH ASSY, W/O CABLE
5	F03531	WATER BOTTLE, POWER TROWELS
6	F03530	HOLDER, WATER BOTTLE, TROWELS
7	F03538	BLIND RIVET, ALUMINIUM, 4.8MM X 14.3
8	F03537	PLATE, WATER BOTTLE, TROWELS
9	FTP10050303	DECAL
10	FTP4365501	HANDLE WHEEL
11	FTP4365503	ADJUST SHAFT
13	FTP9025	BEARING
14	FTP4365502	BEARING
15	FTP9033	WASHER
16	FTP4365504	WASHER
17	FTP9027	CIRCLIP
18	FTP9028	BOLT
19	FTP4365505	ADJUST SHAFT BUSHING
20	FTP9030	PIN
21	FTP9022	WASHER
22	FTP9026	SCREW
23	FTP4365506	CABLE CONNECTOR
24	FTP9029	STEEL WIRE CABLE
25	FTP4365507	CABLE CONNECTOR, SCREW
26	FTP9016	NUT
27	FTP4365508	THROTTLE WIRE WHEEL
28	FTP9031	PIN
29	FTP4365511	WHEEL BUSHING
30	F03484	SAFETY SWITCH CABLE
31	FTP4365510	YOKE ARM
32	FTP4365509	YOKE ARM SHAFT
33	FTP9034	RETAINING RING
34	FTP9016	NUT
35	FTP9017	SCREW
36	FTP4365301	UPPER JOINT PLATE
37	FTP9018	SCREW
38	FTP4365302	LOWER JOINT PLATE
39	FTP9076	KEY
40	FTP4363001	SPINDLE
41	FTP9075	BEARING



# Flextool

SERVICE SHEET ISSUE 23.11.2011.

## WALK BEHIND TROWEL - Diesel. FP436D PARTS LIST

PART NO.  
F03436D

ITEM NO.	PART NO.	DESCRIPTION	QUANTITY
42	FTP4363006	BUSHING	
43	FTP4363002	DRUM	
44	FTP9077	SPRING	
45	FTP4363004	WEIGHT ASSY	
46	FTP9078	SCREW	
47	FTP4363003	FACE PLATE	
48	F08839	RETAINER, CLUTCH	
49	F06721	S.CAP SCREW, 0.312"UNF X 1"	
50	FTP4362100	BELT GUARD ASSY (CKD)	
51	F03481	BRACKET, BELT GUARD (ADD-ON)	
52	F03538	BLIND RIVET, ALUMINIUM, 4.8MM X 14.3	
53	F09324	V-BELT, A27	
54	FTP4362001	PULLEY	
55	F01961	SPACER, DIAM. BLADE 20MM X 25.4 X 6	
56	F02891	LIFTING HOOK	
57	F03438	SERIAL NUMBER PLATE, FP436	
58	F06350	SCREW, S.CSK 0.312"UNF X 0.75"	
59	F03487	SCREW, CABLE HOLDER, SAFETY SWITCH	
60	FTP9038	PLAIN WASHER, M8	
62	F03488	NUT, CABLE HOLDER, SAFETY SWITCH	
63	F09987	SPRING, COMPRESSION, THROTTLE	
64A	FTP9019	SCREW, CABLE HOLDER, TROWELS	
64B	FTP4365403	NUT, CABLE HOLDER, TROWELS	
65	FTP9036	HEX NUT	
66	FTP9038	PLAIN WASHER	
67	F03482	BRACKET, SAFETY SWITCH CABLE	
68	FTP9042	SCREW, C.SUNK M8 X 1 X 25	
69	F03459	MOTOR BASE PLATE, RIGHT	
70	F03479	MOTOR BASE PLATE, LEFT	
71	FTP4364002	STEEL BOWL	
72	FTP4364009	RUBBER WASHER	
73	FTP9039	PLAIN WASHER	
74	FTP9040	BOLT, HEX HEAD	
75	FTP4364001	MOUNTING PLATE	
76	F03486	STUD, M8 X 1, 40MM	
77	F01710	ENGINE, YANMAR DIESEL, L48N6-MTMR	
80	FTP4364008	PLASTIC SHIMMING	
83	FTP9049	BEARING	
84	FTP4364010	BRONZE GEAR	
85	FTP9048	BEARING	
86	FTP4364011	MAIN SHAFT	
87	FTP9051	KEY	
88	FTP9059	NUT	
89	FTP9060	BOLT	
90	FTP9052	KEY	
92	FTP9055	SEAL	



# Flextool

SERVICE SHEET ISSUE 23.11.2011.

## WALK BEHIND TROWEL - Diesel. FP436D PARTS LIST

PART NO.  
F03436D

ITEM NO.	PART NO.	DESCRIPTION	QUANTITY
93	FTP9057	BEARING	
94	FTP4364100	RELEASE VALVE	
95	FTP9062	SCREW	
96	FTP9050	SEAL	
98	FTP9054	KEY	
99	FTP4364013	COUNTER SHAFT	
100	FTP9063	BEARING	
102	FTP4364015	PLASTIC SHIMMING	
103	FTP9056	SEAL	
104	FTP9053	PLUG	
105	FTP9064	SIGHT GLASS	
106	FTP9044	BOLT	
107	FTP9047	WASHER	
108	FTP9046	WASHER	
109	FTP9045	NUT	
110	FTP4366002A	PRESSURE PLATE COVER	
111	FTP9070A	BEARING	
112	FTP4366003A	PRESSURE PLATE	
113	FTP4366005	SPIDER PLATE	
114	FTP4366004	BUSHING	
115	FTP9068	BOLT	
116	FTP9069	NIPPLE CAP	
117	FTP9066	SCREW	
118	FTP9046	WASHER	
119	FTP4366006	ANGLE ARM	
120	FTP9067	SCREW	
121	FTP4366001	TROWEL ARM	
122	FTP9065	SCREW	
123	FTP9059	NUT	
124	FTP9071	BOLT	
125	FTP9037	SPRING WASHER	
126	FTP4366007	SCREW ADJUSTER	
127	FTP4366911	PLASTIC PLUG, TROWEL BLADE	
128*	BR-20479	COMBINATION BLADE, 8" X 14"	
	BR-20479P	PLASTIC COMBO BLADE, 8" X 14"	
	BR-20415	FLOATING BLADE, 10" X 14"	
	BR-20414	FINISHING BLADE, 6" X 14"	
129*	BR-11691	FLOAT PAN, 36.5", 17.6KG	
	BR-11691F	FLOAT PAN, FLAT, 36.5", 17.6KG	
131	F03489	SPLASH GUARD	
132	FTP9036	HEX NUT	
133	FTP4364004	SPRING WASHER	
135	FTP9037	SPRING WASHER	
136	FTP9118	S.H. CAP SCREW, M8 X 20, Z/P	
137	FTP9038	PLAIN WASHER, M8	



For more information on our product range, visit one of our branches or log onto [www.parchem.com.au](http://www.parchem.com.au).

### **New South Wales**

#### **Wyong – Head Office**

7 Lucca Rd  
Tel: 02

#### **Wetherill Park\***

64 Elizabeth St  
Tel: 02 8781 2000

#### **Penrith**

4/31 Jack Williams Dve  
Tel: 02 4722 9259

#### **Narellan**

Unit 1, 7-9 Gallipoli St  
Smeaton Grange  
Tel: 02 4647 0623

#### **Padstow**

119 Fairford Rd  
Tel: 02 9771 6626

#### **Riverstone**

14 Edward St  
Tel: 02 9627 9133

#### **Coffs Harbour**

8/92-98 Industrial Dve  
Tel: 02 6652 3599

#### **Thornton**

45 Glenwood Dve  
Tel: 02 4964 4277

#### **Tuggerah\***

4 Ace Cres  
Tel: 02 4352 2287

#### **Beresfield**

Unit 1, cnr Yangan Dr &  
Birraba Pl.  
PH: 02 4964 4277

### **Victoria**

#### **Brunswick**

400 Victoria St  
Tel: 03 9326 8300

#### **Berwick**

3/21-23 Enterprise Ave  
Tel: 03 9796 1027

#### **Somerton**

816 Cooper St  
Tel: 03 9308 6133

#### **Doveton**

2/22 Princes Highway  
PH: 03 8710 7000

### **ACT - Fyshwick**

98 Barrier Street  
PH: 02 6228 1313

### **South Australia**

#### **Hindmarsh\***

29/31 Manton St  
Tel: 08 8241 6000

### **Tasmania - Moonah**

Unit 1 / 65 Albert Road,  
Phone: 03 6278 7277

### **Queensland**

#### **Brendale**

33 Kremzow Rd  
Tel: 07 3889 7600

#### **Nerang – Gold Coast**

12 Hilldon Crt  
Tel: 07 5527 2227

#### **Springwood**

1/58 Parramatta Rd  
Tel: 07 3808 8133

#### **Morningside**

14 Manton Street  
PH: 07 3902 2300

#### **Gladstone**

12 Roseanna Street  
PH: 07 4978 0128

#### **Gabutt - Townsville**

336 Bayswater Road  
PH: 07 4729 5911

### **Western Australia**

#### **Belmont**

47 Belmont Ave  
Tel: 08 6279 9799

\* Parchem Construction Supplies Trade Stores which stock a comprehensive range of Parchem products.