



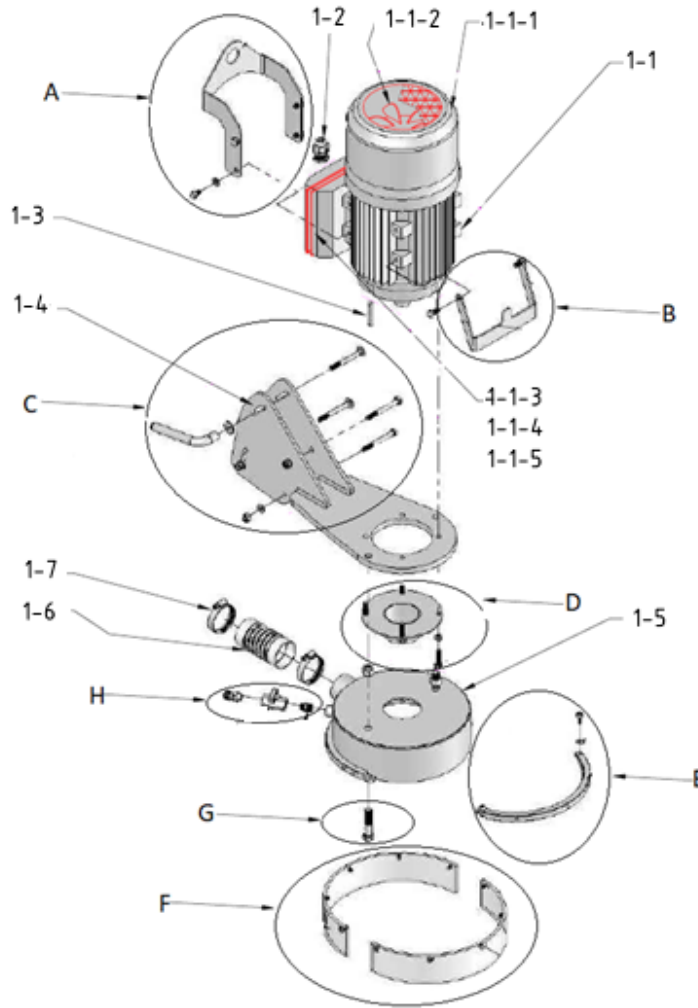
SPARE PARTS MANUAL

FLEXTOOL CUB GRINDER ART-CUB



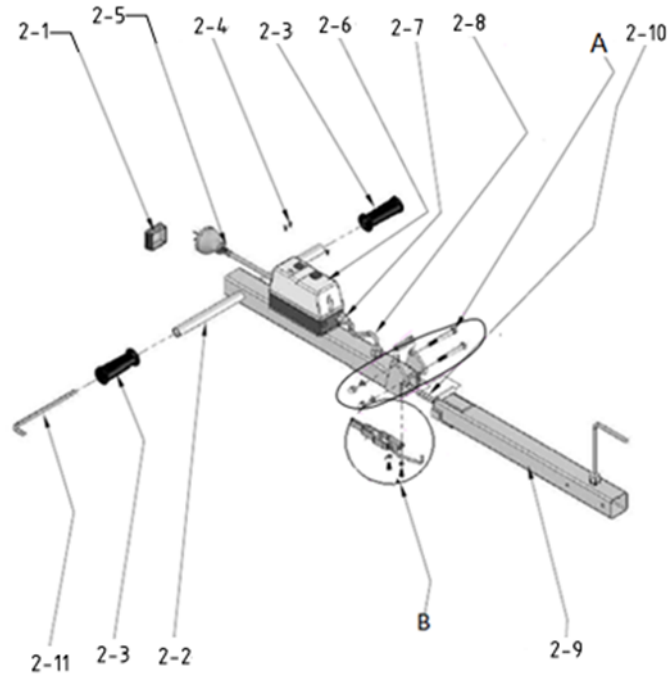
Version 2.0 (November 2022)

FOR MORE INFORMATION
CONTACT US ON 1300 353 986 OR VISIT flextool.com.au



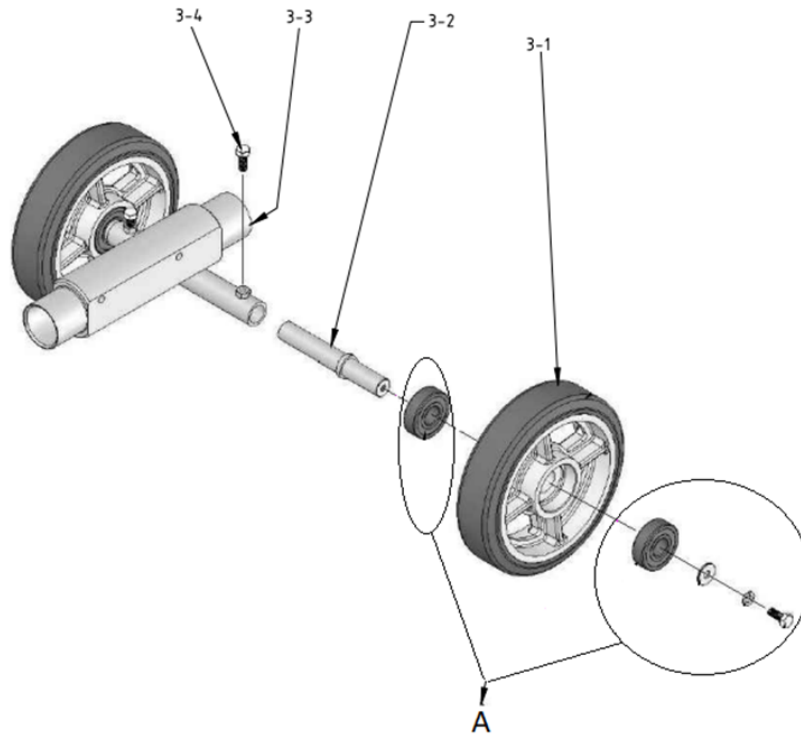
Motor (ART-CUB)

Item No.	Product Code	Description	Qty	Remarks
A	NPS11011-UNIT	FLX CUB BACK LIFTING HANDLE COMPL SET (ART-01-1011)	1	
B	NPS11010-UNIT	FLX CUB FRONT LIFTING HANDLE COMPL SET(ART-01-1010)	1	
C	NPS13020-UNIT	FLX CUB CHASSIS BOLT SET (ART-01-3020)	1	
D	NPS13006-UNIT	FLX CUB ADAPTOR COMPLETE SET (ART-01-3006)	1	
E	NPS1006A-UNIT	FLX CUB ALUM WEAR STRIP REMOVABLE SET (ART-01-1006A)	1	
F	NPS1006B-UNIT	FLX CUB SHROUD PLASTIC WEAR STRIPS SET (ART-01-1006B)	1	
G	NPS13004-UNIT	FLX CUB SHROUD BOLT SET (ART-01-3004)	1	
H	NPS13022-UNIT	FLX CUB WATER KIT COMPLETE SET (ART-01-3022)	1	
1-1	NPS12001-UNIT	FLX CUB 1.8KW SINGLE PHASE MOTOR (ART-01-2001)	1	
1-1-1	NPS12011-UNIT	FLX CUB ELEC MOTOR FAN COWLING MTC 100 (ART-01-2011)	1	
1-1-2	NPS12012-UNIT	FLX CUB ELEC MOTOR PLASTIC COOL FAN (ART-01-2012)	1	
1-1-3	NPS12007-UNIT	FLX CUB TERMINAL BOX COMP ME100KMTC (ART-01-2007)	1	
1-1-4	NPS12009-UNIT	FLX CUB ELEC MOTOR START CAPACITOR (ART-01-2009)	1	
1-1-5	NPS20909-UNIT	FLX CUB ELEC MOTOR RUN CAPACITOR (ART-01-2010)	1	
1-2	NPS12006-UNIT	FLX CUB ELEC GLAND STARTER BX & CHAS (ART-01-2006)	1	
1-3	NPS12004-UNIT	FLX CUB KEY ELECTRIC MOTOR (ART-01-2004)	1	
1-4	NPS11003-UNIT	FLX CUB CHASSIS (ART-01-1003)	1	
1-5	NPS11006-UNIT	FLX CUB SHROUD HOUSING (ART-01-1006)	1	
1-6	NPS13012-UNIT	FLX CUB FLEX DUCT SHROUD OUTLET (ART-01-3012)	1	
1-7	NPS13013-UNIT	FLX CUB HOSE CLAMP (ART-01-3013)	2	



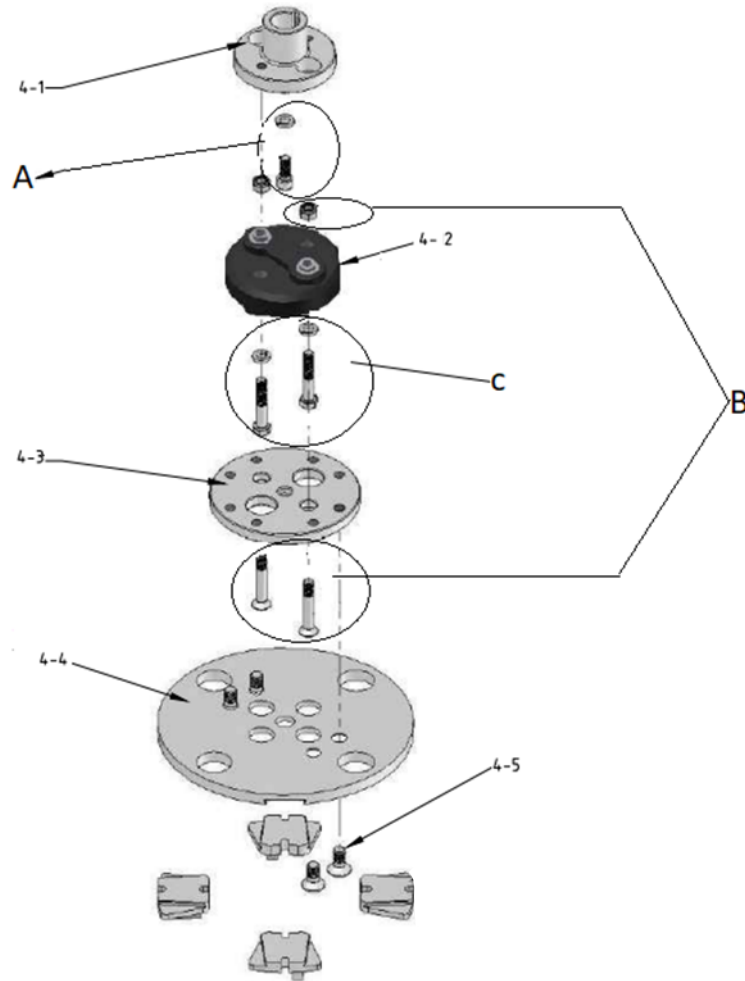
Handle (ART-CUB)

Item No.	Product Code	Description	Qty	Remarks
A	NPS60247-UNIT	FLX CUB HANDLE BOLT SET (ART-01-3010)	1	
B	NPS13023-UNIT	FLX CUB HANDLE LATCH COMPLETE SET (ART-01-3023)	1	
2-1	NPS13003-UNIT	FLX CUB WATER KIT COMPLETE (ART-01-3003)	1	
2-2	NPS21111-UNIT	FLX CUB HANDLE TOP SECTION (ART-01-1001)	1	
2-3	NPS20862-UNIT	FLX CUB RUBBER HAND GRIP (ART-01-3001)	2	
2-4	NPS13007-UNIT	FLX CUB SCREW PAN HEAD (ART-01-3007)	4	
2-5	NPS12005-UNIT	FLX CUB PLUGGED LEAD (ART-01-2005)	1	
2-6	NPS12002-UNIT	FLX CUB STARTER BOX C/W INT SWITCHES (ART-01-2002)	1	
2-7	NPS12006-UNIT	FLX CUB ELEC GLAND STARTER BX & CHAS (ART-01-2006)	1	
2-8	NPS12003-UNIT	FLX CUB ELEC CABLE (ART-01-2003)	1	
2-9	NPS11002-UNIT	FLX CUB HANDLE BASE SECTION (ART-01-1002)	1	
2-10	NPS13009-UNIT	FLX CUB PLASTIC SHEATH (ART-01-3009)	1	
2-11	NPS13016-UNIT	FLX CUB ALLEN KEY (ART-01-3016)	1	



Wheel Assembly (ART-CUB)

Item No.	Product Code	Description	Qty	Remarks
A	NPS13011-UNIT	FLX CUB AXLE BEARING KIT COMPLETE SET (ART-01-3011)	2	
3-1	NPS13002-UNIT	FLX CUB 200MM RUBBER WHEEL (ART-01-3002)	2	
3-2	NPS11005-UNIT	FLX CUB WHEEL AXLE (ART-01-1005)	2	
3-3	NPS11004-UNIT	FLX CUB WHEEL AXLE CARRIER (ART-01-1004)	1	
3-4	NPS13017-UNIT	FLX CUB BOLT (ART-01-3017)	2	



Grinding (ART-CUB)

Item No.	Product Code	Description	Qty	Remarks
A	NPS13014-UNIT	FLX CUB GRIND HUB BOLT SET (ART-01-3014)	1	
B	NPS13021-UNIT	FLX CUB GRIND SHOE ADAPT PLATE BOLT SET (ART-01-3021)	1	
C	NPS13015-UNIT	FLX CUB GRIND HD COUPLING BOLT SET (ART-01-3015)	1	
4-1	NPS11007-UNIT	FLX CUB GRIND HUB MOTOR ADAPTOR (ART-01-1007)	1	
4-2	NPS11009-UNIT	FLX CUB GRIND HEAD FLEXIBLE COUPLING (ART-01-1009)	1	
4-3	NPS1008A-UNIT	FLX CUB GRIND SHOE ADAPT PLATE (ART-01-1008A)	1	
4-4	FT1TE250-UNIT	BLA GRINDING SHOE QUICK FIT ADAPT PLATE (CUB-EZPLATE-250)	1	
4-5	NPS13018-UNIT	FLX CUB SCREW BACKING PLATE 4 PACK (ART-01-3018)	1	



Parchem Construction Supplies Pty Ltd

1956 Dandenong Road, Clayton VIC 3168, Australia

Phone: 1300 353 986

flextool.com.au

ABN 80 069 961 968

This manual summarises our best knowledge of the product based on the information available at the time of publication. You should read this manual carefully and consider the information in the context of how the product will be used. Our responsibility for products sold is subject to our standard terms and conditions of sale.

DISCLAIMER:

Any advice, recommendation, information, assistance or service provided by us in this manual is given in good faith and is believed by us to be appropriate and reliable. However, any advice, recommendation, information, assistance or service provided by us is provided without liability or responsibility PROVIDED THAT the foregoing shall not exclude, limit, restrict or modify the right entitlements and remedies conferred upon any person or the liabilities imposed upon us by any condition or warranty implied by Commonwealth, State or Territory Act or ordinance void or prohibiting such exclusion limitation or modification. The product can be expected to perform as indicated in this manual so long as operation and operational procedures of the individual products are followed as recommended in this manual.

Design and technical specifications may be subject to changes.

© This publication is copyright. All rights are reserved. Flextool is a registered trade mark of Parchem Construction Supplies Pty Ltd.

FOR MORE INFORMATION

CONTACT US ON 1300 353 986 OR VISIT flextool.com.au