

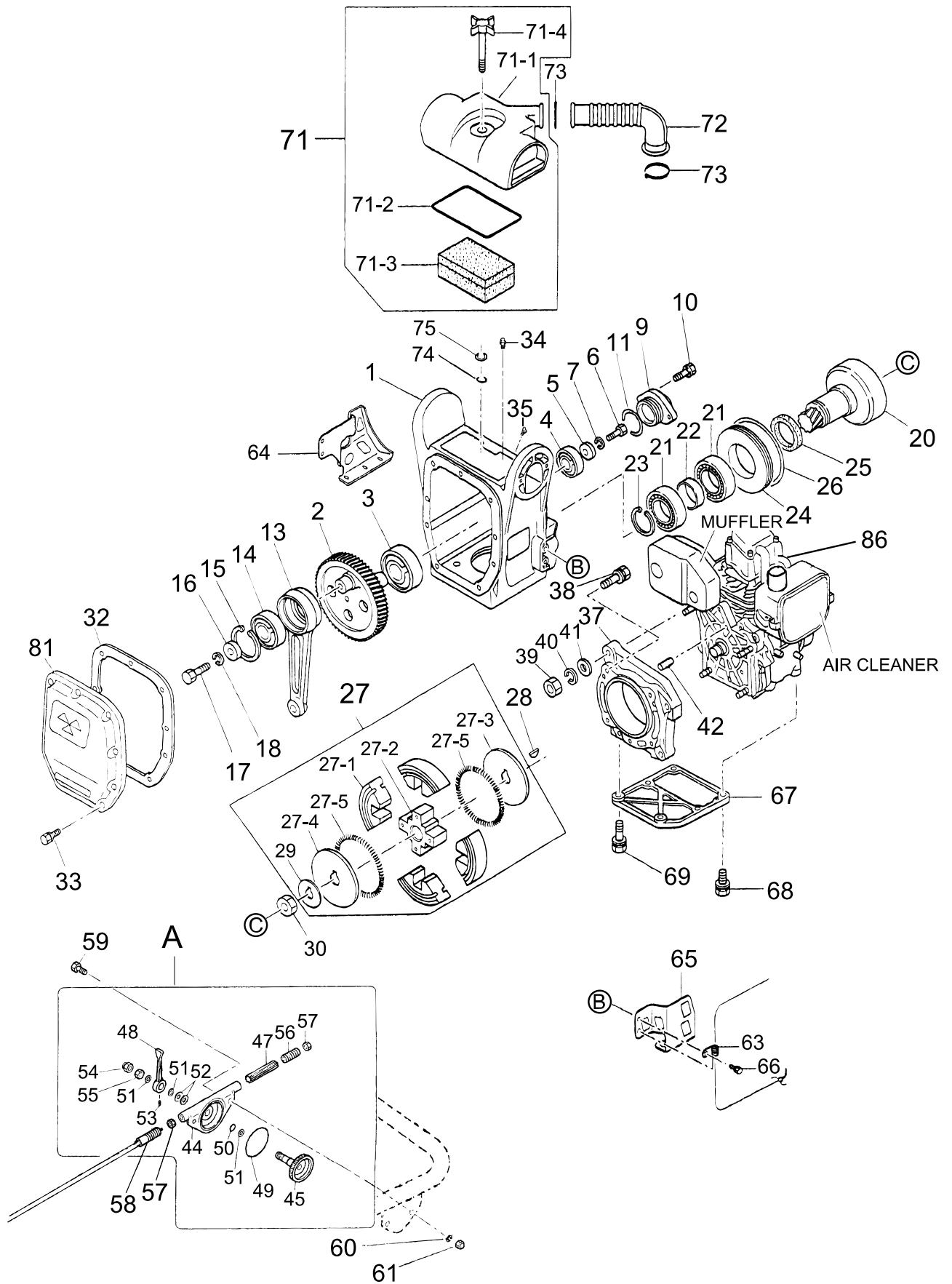
**PARTS LIST**  
パーツリスト

**MTR**  
**TAMPING RAMMER**  
タンピングランマー

**MIKASA SANGYO CO., LTD.**  
三笠産業株式会社

**MTR-40F**  
CRANK CASE & ENGINE / クランクケース&エンジン

3KA0



CRANKCASE\_ENGINE

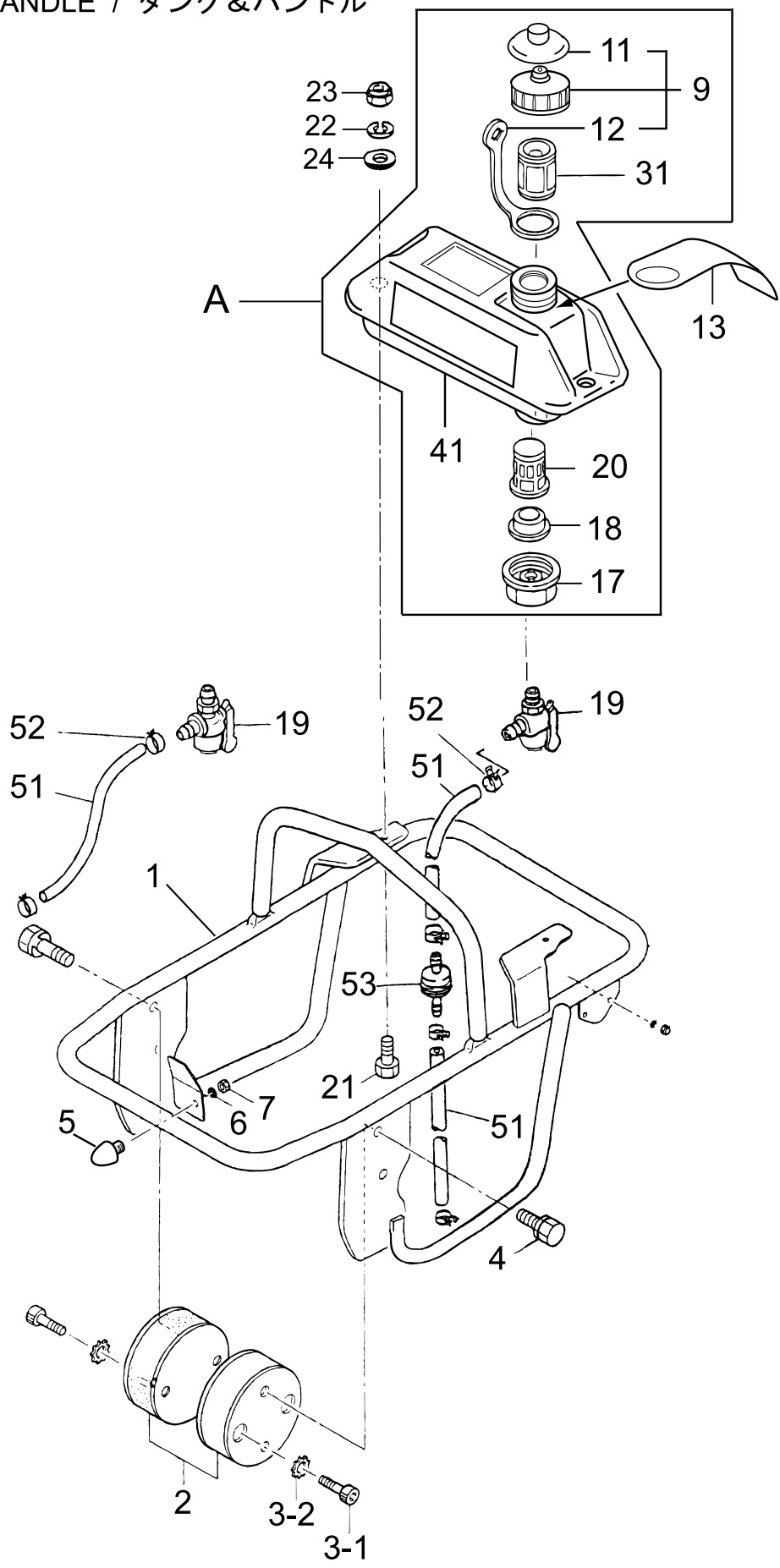
NO.	PART/NO.	Parts Name	Q' TY	MK	MK2	REMARKS
A	3629-10060	THROTTLE LEVER AY /MT-55	1			
1	3051-17260	CRANK CASE /MTR-40HS	1			
2	3053-43780	CRANK GEAR / MTR-40HS	1			
3	0410-06305	BEARING 6305Z	1			
4	0410-06203	BEARING 6203Z	1			
5	9524-01450	WASHER 8. 5X22X3	1			
6	0012-20825	BOLT 8X25 T	1			
7	0302-08200	SW M8	1			
9	3624-55660	BEARING COVER /MT-55	1			
10	0022-00620	BOLT 6X20 SW	2			
11	0501-00350	O-RING G-35	1			
13	3053-33090	CONNECTING ROD /MTR-35	1			
14	0420-06304	BEARING 6304ZZ	1			
15	0801-00520	STOP RING R-52	1			
16	9524-00130	WASHER 9304	1			
17	0012-20825	BOLT 8X25 T	1			
18	0302-08200	SW M8	1			
20	3030-10084	PINION /MT-50V, 52FW, 55	1			
21	0420-06007	BEARING 6007ZZ	2			
22	3514-37750	SPACER 35. 4-42. 7-11/MT50V	1			
23	0802-00350	STOP RING S-35	1			
24	3514-21900	SPACER, CLUTCH DRUM/50	1			
25	0605-04010	OIL SEAL VB-40525	1			
26	0503-00900	O-RING S-90	1			
27	3624-54441	CLUTCH AY/CE120P 1. 6T	1		!3614-63840	
27	3614-63840	CLUTCH AY/CE120T	1	OX		
27-1	9430-20020	CLUTCH SHOE C812	4			
27-2	9430-50050	CLUTCH BOSS C812	1		!SD	
27-3	9430-60100	CLUTCH GAIDE/ (A) 1. 6T, 1C	1			
27-4	9430-60020	CLUTCH GUIDE/B	1			
27-5	9430-30021	CLUTCH SPRING	1			
28	005-32042-01	WOODRUFF KEY	1			
29	3010-10210	LOCK WASHER, CLUTCH	1			
30	017-31200-10	LOCK NUT	1			
32	3623-41610	PACKING, FRONT COVER/MT-55	1			
33	0022-00620	BOLT 6X20 SW	9			
34	3510-10050	GREASE FITTING A-MT6X1	1			
35	9590-10320	GREASE FITTING B-MT6X1	1			
37	20F-15001-23	ADAPTER, FLANGE/EH09/MT55	1			
38	001-14084-00	BOLT & WASHER AY	4			
39	002-18080-00	NUT	4			
40	003-20080-00	SPRING WASHER	4			
41	003-11080-00	WASHER	4			
42	031-00600-20	DOWEL PIN	2			
44	3623-41550	THROTTLE BODY /MT-55	1			
45	3629-10090	THROTTLE, GEAR CP, W/BOLT	1			
47	3624-55620	SLIDER /MT-55	1			
48	3624-55630	THROTTLE LEVER /MT-55	1			
49	0501-00450	O-RING G-45	1			
50	0502-00100	O-RING P-10	1			
51	0311-10160	PW M10	3			
52	0321-10180	CONICAL SPRING WASHER M10	2			
53	0962-06006	SOCKET HEAD SCREW 6X6	1			
54	0221-31008	CAP NUT M10	1			

CRANKCASE\_ENGINE

NO.	PART/NO.	Parts Name	Q' TY	MK	MK2	REMARKS
55	0204-10060	NUT M10, H=6	1			
56	0962-08020	SOCKET HEAD SCREW 8X20	1			
57	0204-08050	NUT M8, H=5	2			
58	9561-00040	THROTTLE WIRE 620-710	1			
59	0012-20620	BOLT 6X20 T	2			
60	0302-06150	SW M6	2			
61	0221-30605	CAP NUT M6	2			
63	9590-06120	CLIP (TCP2-10509B)	1			
64	3623-41620	OIL GAUGE PROTECTOR/MT-55	1			
65	3623-41630	LINK PROTECTOR /MT-55	1			
66	0024-00820	BOLT 8X20 SW, PW	4			
67	274-16001-13	STIFFENER	1			
68	001-14082-50	BOLT & WASHER	4			
69	001-14083-00	BOLT & WASHER AY	2			
71	3621-16871	AIR CLEANER AY/MT-55, 50WT	1			
71-1	3620-30011	COVER CP, AIR CLEANER/MT55	1			
71-2	3620-30020	PACKING, AIR CLEANER/MT-55	1			
71-3	3620-30030	ELEMENT CP, AIR CLCANER/MT	1			
71-4	3620-30040	GRIP BOLT CP, AIR CLERNER	1			
72	3533-42400	INTAKE PIPE/MT-65H, 62HS	1			
73	5070-10110	CLAMP TC-200	2			
74	0503-00070	O-RING S-7	1			
75	0311-08160	PW M8	1			
81	3060-10010	FRONT COVER / MTR-40F	1			
81	3060-10020	FRONT COVER / MTR-40F MQ	1			MQ
86	9112-10908	ENGINE AY/EH092D/55 JPN	1		!9112-10917	JPN
86	9112-10917	ENGINE AY/EH092F/55/JP	1 00			JPN
86	9112-10909	ENGINE AY/EH092D/55/EXP	1		!9112-10918	EXP.
86	9112-10918	ENGINE AY/EH09-2F/55/EXP	1 00			EXP.

MTR-40F  
TANK & HANDLE / タンク&ハンドル

3KB0



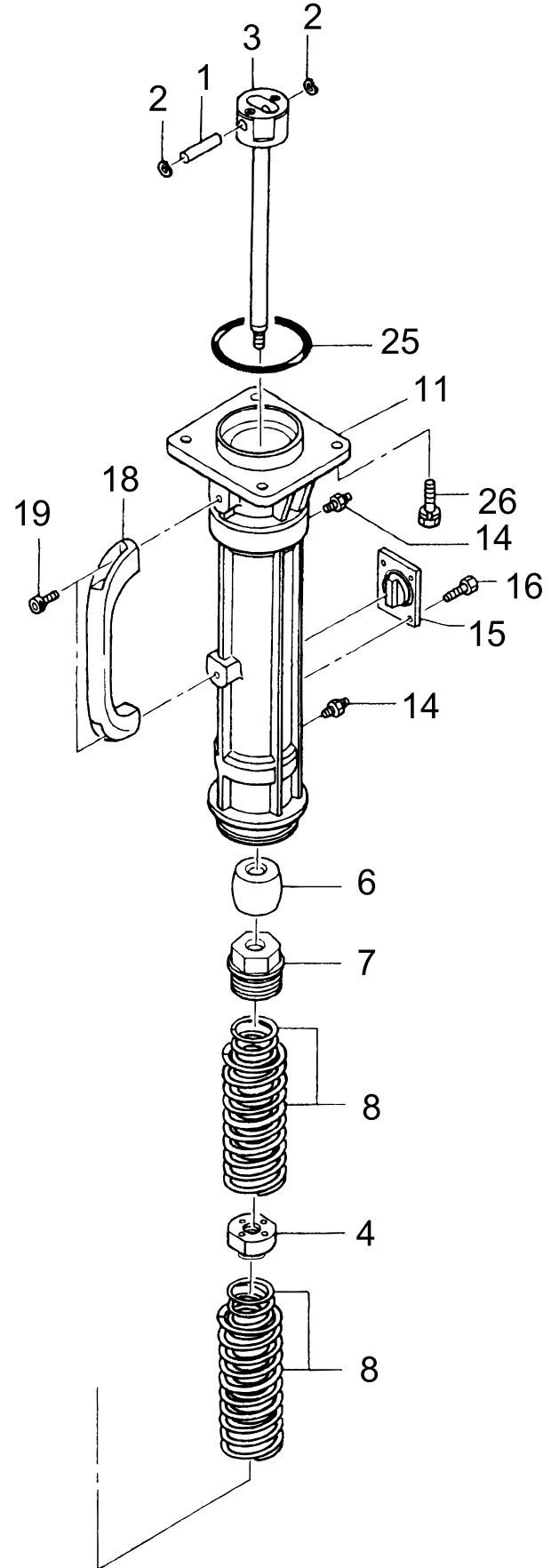
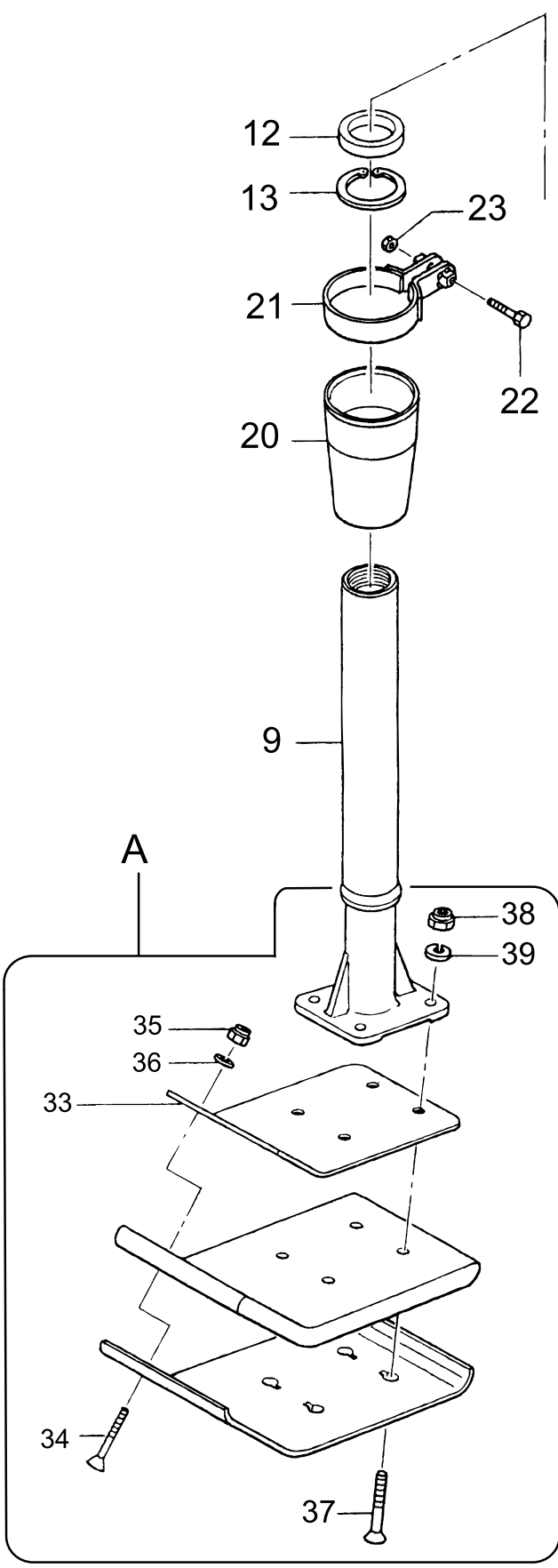
TANK\_HANDLE

NO.	PART/NO.	Parts Name	Q' TY	MK	MK2	REMARKS
A	3059-10032	FUEL TANK AY/54F/EXP, JP	1			EXP. JP
A	3059-10036	FUEL TANK AY/2L EVP/MQ	1	XX		USA V1001-
1	3061-17960	HANDLE / MTR-40F	1			
2	3513-19900	SHOCK ABSORBER	2			
3-1	0015-21020	SOCKET HEAD BOLT 10X20 T	4			
3-2	0331-21009	TOOTHED LOCK WASHER B M10	4			
4	0022-11020	BOLT 10X20 H, SW	4			
5	9390-10210	STOPPER RUBBER EH1002	1			
6	0302-08200	SW M8	1			
7	0203-08060	NUT M8	1			
9	3619-10021	TANK CAP CP (ORANGE)/FW	1			JPN
9	3619-10070	TANK CAP AY (OR, DB)/MT	1	00		EXP M1081-
11	3624-58350	SUB CAP (BLACK)/PE/MT	1	AS		M1467-
12	3534-49010	STRAP, OIL TANK /MT-HS	1			
13	9201-09500	TAG, GASOLINE (JAPANESE)	1			JAPAN
17	3514-37785	HOLDER, COCK /MT	1			
18	9544-06020	PACKING, FUEL TANK/MT, MTR	1			
19	9543-00720	FUEL COCK AY /CVL-08	1			
19-1	064-20014-20	SCREEN	1			
19-2	064-20014-30	C-07 RUBBER PACKIN##	1			
19-3	064-20111-00	CUP/EH25, MT, EXP	1			
20	9544-06010	STRAINER (#110)	1			
21	0012-20830	BOLT 8X30 T	2			
22	0302-08200	SW M8	2			
23	0227-10809	NYLON NUT M8	2			
24	9524-01450	WASHER 8. 5X22X3	2			
31	9544-04890	FILTER, TANK /MT	1			JPN
41	3621-16890	F. TANK 2L (GRAY)/EXP	1			JPN, EXP
41	3632-18260	FUEL TANK 2L/EVP/MT-	1	XX		USA V1001-
51	9590-26101	FUEL HOSE /270L	1			JPN, EXP
51	9590-26199	FUEL HOSE/1M	0			JPN, EXP.
51	3514-36350	FUEL HOSE R-150L D8	2			MQ
51	3669-00150	FUEL HOSE AY/EVP L150	2	XX		USA V1001-
52	9544-06420	HOSE BAND 10. 5	2			JPN, EXP
52	9544-03030	HOSE BAND (8)	4			MQ
52	056-10800-20	HOSE CLAMP	4	XX		USA V1001-
53	3014-19750	FUEL FILTER CP, MQ75MIC.	1			MQ

MTR-40F

3KC0

GUIDE CYLINDER & FOOT / ガイドシリンダー&フット関係



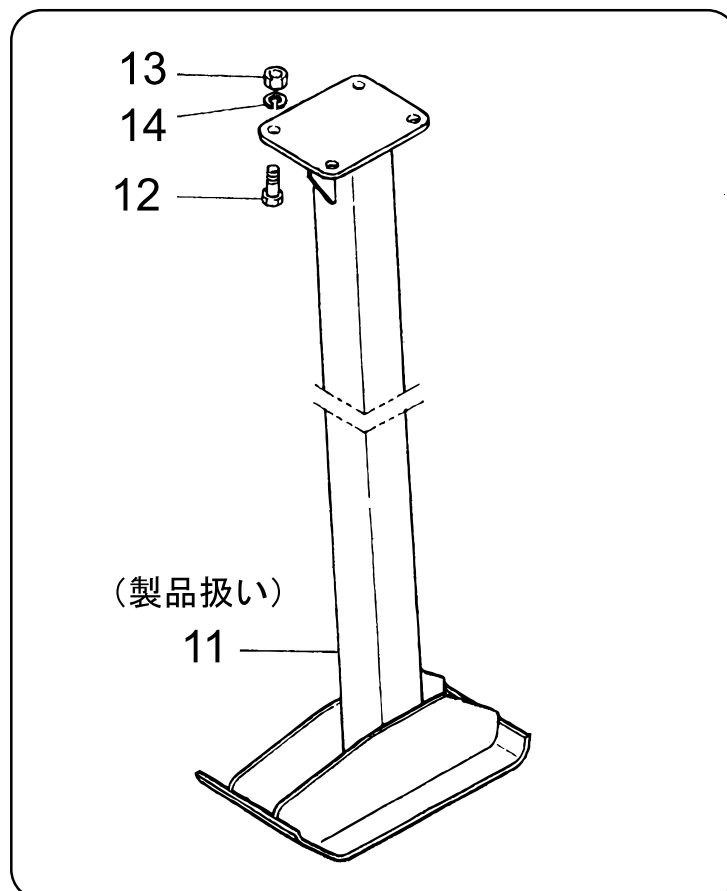
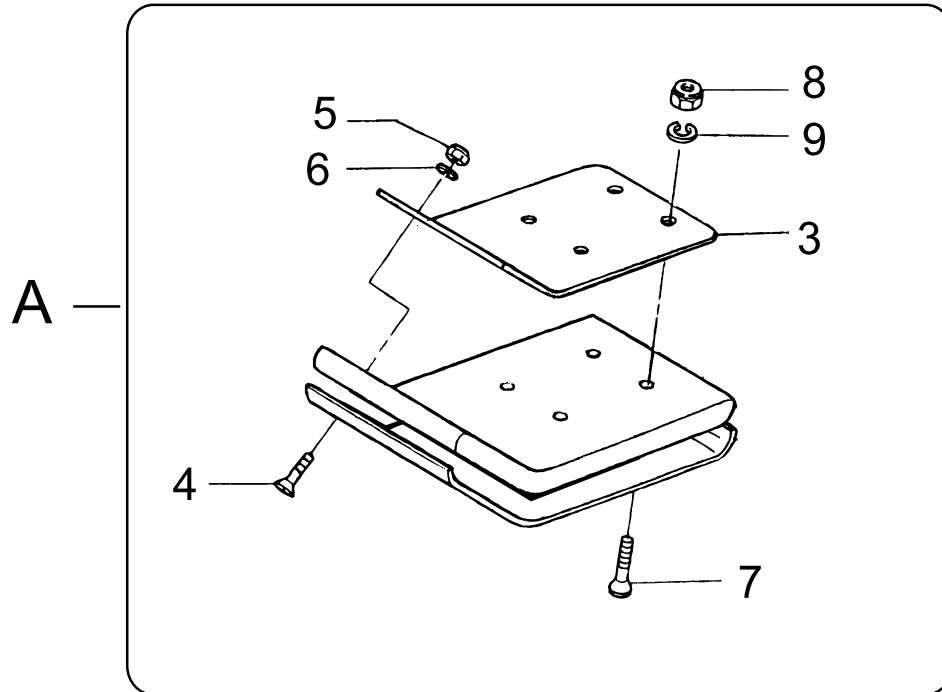
GUIDECYLINDER\_FOOT

NO.	PART/NO.	Parts Name	Q' TY	MK	MK2	REMARKS
A	3059-10050	FOOT ASSY 150B/MTR-40F	1			INCL. 31-39
1	3054-46380	PISTON PIN /MTR-35	1			
2	0801-00120	STOP RING R-12	2			
3	3053-37980	PISTON ROD(M14) /MTR-35	1			
4	3054-51550	PISTON END(M14) /MTR-35	1			
6	3054-46400	STOPPER, UPPER /MTR-35	1			
7	3054-46410	CYLINDER CAP /MTR-35	1			
8	3054-46420	MAIN SPRING /MTR-35	2			
9	3052-12710	SPRING CYLINDER /MTR-35	1			
11	3051-12730	GUIDE CYLINDER /MTR-35	1			
12	0651-05010	DUST SEAL DKI-5367811	1			
13	0805-10680	STOP RING TH-R-68	1			
14	3510-10050	GREASE FITTING A-MT6X1	2			
15	3054-46430	STOPPER /MTR-35	1			
16	0022-00815	BOLT 8X15 SW	4			
18	3054-46440	GRIP /MTR-35	1			
19	0015-20815	SOCKET HEAD BOLT 8X15 T	2			
20	3054-46450	DUST SLEEVE /MTR-35	1			
21	3054-46460	SLEEVE BAND /MTR-35	1			
22	0012-20830	BOLT 8X30 T	1			
23	0203-08060	NUT M8	1			
25	0501-00800	O-RING G-80	1			
26	0022-11025	BOLT 10X25 H, SW	4			
33	3054-46470	FOOT COVER /MTR-35	1			
34	0016-11051	SUNK HEAD BOLT 10X55 H	2			
35	0227-11012	NYLON NUT M10	2			
36	0302-10250	SW M10	2			
37	0016-11252	SUNK HEAD BOLT 12X60 H	4			
37	0091-10034	BOLT, SQUARE NECK 12X65	4 XO			
38	0227-11214	NYLON NUT M12	4			
39	0302-12300	SW M12	4			



MTR-40F / 40HS / 35W

OPTIONAL PARTS (NARROW FOOT & TRENCH SHOE) /  
オプションパーツ (ナローフット&トレンチシュー)



OPTIONALPARTS\_NARROWFOOT\_TRENCHSHOE

NO.	PART/NO.	Parts Name	Q' TY	MK	MK2	REMARKS
A	3059-10060	FOOT ASSY 200B/MTR-40F	1			INCL. 1-9 200
A	3059-10070	FOOT ASSY 100B/MTR-40F	1			INCL. 1-9 100
A	3059-10050	FOOT ASSY 150B/MTR-40F	1			INCL. 1-9, STD
3	3054-46470	FOOT COVER /MTR-35	1			200B, 150B
3	3054-47810	FOOT COVER 96B /MTR-35W	1		!3064-61620	100B
4	0016-11050	SUNK HEAD BOLT 10X50 H	2			
5	0227-11012	NYLON NUT M10	2			
6	0302-10250	SW M10	2			
7	0016-11252	SUNK HEAD BOLT 12X60 H	4			
7	0091-10034	BOLT, SQUARE NECK 12X65	4	X0		
8	0227-11214	NYLON NUT M12	4			
9	0302-12300	SW M12	4			
11	3053-33160	TRENCH SHOE 500H-120B/MTR	1		!PD	500H-120B
11	3053-33170	TRENCH SHOE 800H-120B/MTR	1		!PD	800H-120B
11	3053-34390	TRENCH SHOE 305H-100B/MTR	1		!PD	FOR MQ
12	0012-21235	BOLT 12X35 T	4			
13	0203-12100	NUT M12	4			
14	0302-12300	SW M12	4			

## NAMEPLATES

NO.	PART/NO.	Parts Name	Q' TY	MK	MK2	REMARKS
1	9201-00240	DECAL, (M-MARK)	1			
2	9201-00120	DECAL, GREASE /NP-120	3			
3	9202-09610	DECAL, CLEANING ELEMENT	1			
4	9202-09570	DECAL, E/G R. P. M 3800-4100	1			
5	073-20045-20	LABEL, OIL CAUTION	1			E/G PART
6	073-20044-30	LABEL (CHOKE)	1			E/G PART
11	9202-02930	DECAL, SWITCH-ON	1			EXP.
12	9202-03290	DECAL, CAUTION	1			EXP.
13	9202-03990	DECAL, CAUTION (FUEL COCK)	1			EXP.
14	9202-06910	DECAL, DOWN TOWARD (RAMMER)	1			EXP.
14	9201-08630	DECAL, CAUTION (JAPANESE)	1			JPN
15	9202-09100	DECAL, CAUTION (RAMMER)	1			EXP.
15	9201-08660	DECAL, CAUTION (RAMMER)	1			JPN
16	9202-09630	DECAL, CLEANING ELEMENT	1			EXP.
17	9202-11000	DECAL, CAUT. 4CYCLE&GREASE	1			EXP.
18	9202-11690	DECAL, LEVER OPERATION	1			MQ/P2262-
19	9201-09520	DECAL, ENGINE SET R. P. M	1			JPN.
21	9202-08960	TAG, GASOLINE	1			6COUNTRY
21	9201-09500	TAG, GASOLINE (JAPANESE)	1			JPN
22	9202-07690	DECAL, CAUTION (MANUAL)	1			6COUNTRY
41	9202-10900	PLATE, SERIAL NO. MTR-40F J	1			JPN -N1731
41	9202-10910	PLATE, SERIAL NO. MTR-40F M	1			MQ
41	9202-10940	PLATE, SERIAL NO. MTR-40F E	1			EXP.
41	9202-11900		1			JPN N1732-
46	9202-10550	DECAL, IMER-MARK / MT	1			IMER
47	9202-10170	DECAL, GASOLINE ONLY	1			MQ
48	9202-10180	DECAL, CHECK DAILY (FILTER)	1			MQ
50	9201-09970	DECA, OIL/FLUID LEVELS	1			JPN.
51	9201-09980	DECAL, LEVER OPERATION	1		!9201-09981	JPN.
51	9201-09981	DECAL, LEVER OPERATION	1	00		JPN.
52	9201-10360	DECAL, CAUT. 4CYCLE&GREASE	1			JPN.
56	9202-10310	DECAL, EC NOISE REQ. LWA107	1			EXP, CHINA
58	9201-08310	DECAL, CLEANER ELEMENT	1			
58	9202-10160	DECAL, SERVICE MONTHLY	1			MQ