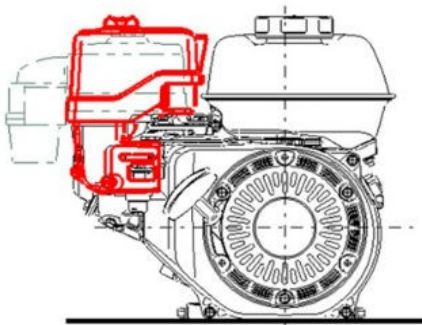
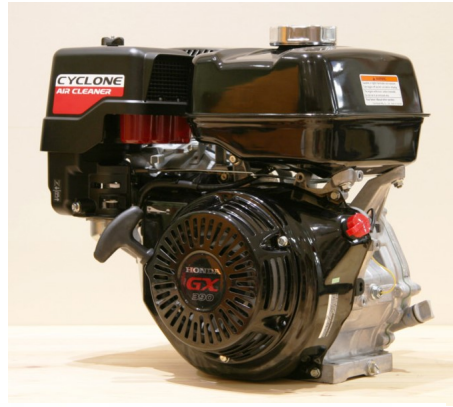
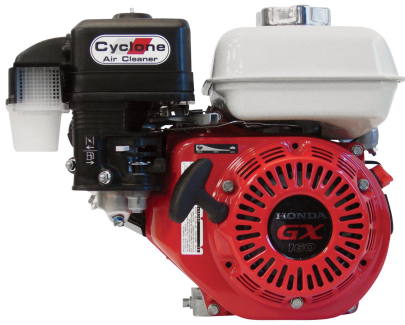
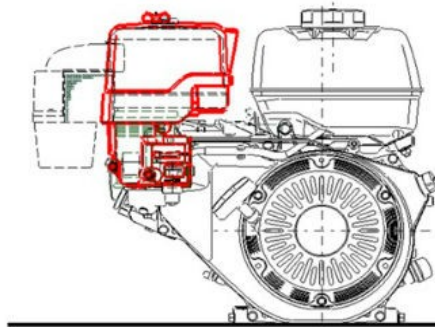


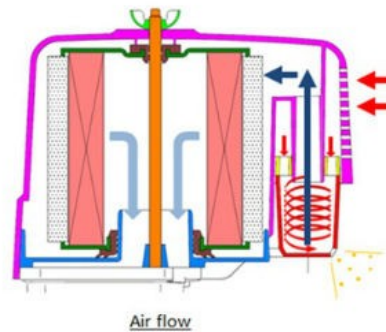
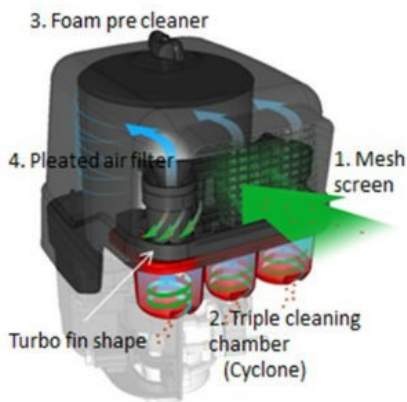
MVC-T90HC with New Cyclone cleaner



New Cyclone Air Cleaner Configuration:
Honda GX160 and GX200 engines



New Cyclone Air Cleaner Configuration:
Honda GX270 and GX390 engines



New Cyclone Cleaner System

Changing the parts due to the engine change

Code	Model	Engine	Guard Frame	Revolving Cart	Shipping period for AUS	Serial No.
731521	MVC-T90H without Cyclone	GX160UT2-QMX2 P/N: 9122-16015	4161-21050	731599	Nov.2013 – Sep.2015	T2Y1066 – T2A1616
731542	MVC-T90HC with Old Cyclone	GX160UT2-QMXC P/N: 9122-16021	4161-21740	731594	Oct.2015 – May.2017	T2A2583 – C3257
731560	MVC-T90HC with New Cyclone	GX160UT2-QCM P/N: 9122-16025	4161-21050	731599	Oct.2017 –	C3807 –