



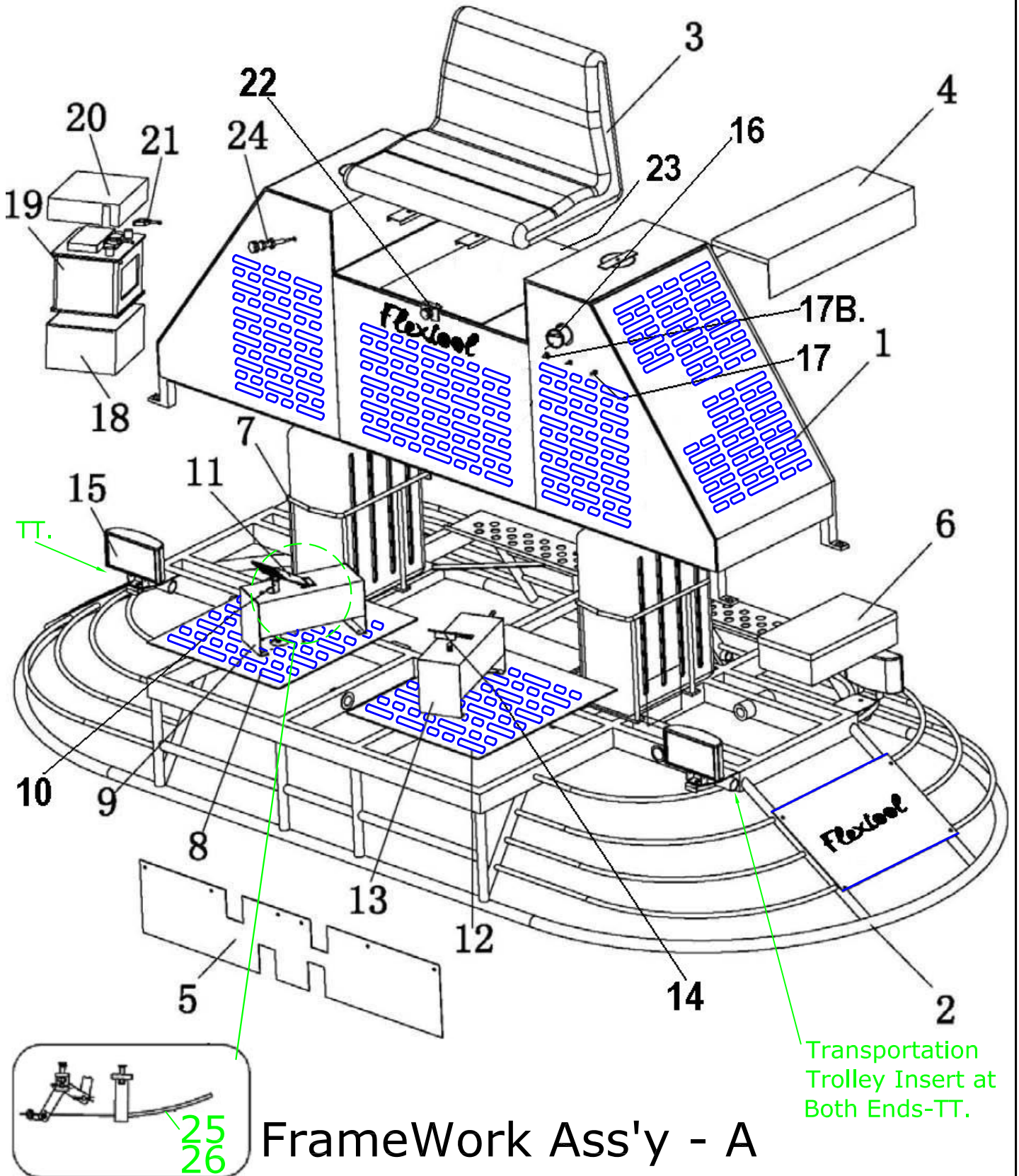
SERVICE SHEET

RIDE ON TROWEL MODEL FP 846



WARNING

To reduce the risk of injury, all operators and maintenance personnel must read and understand these instructions before operating, changing accessories, or performing maintenance on this power equipment. All possible situations cannot be covered in these instructions. Care must be exercised by everyone using, maintaining or working near this equipment.





SERVICE SHEET SS_F03846 ISSUE 13.12.2010

RIDE-ON POWER TROWEL FP846 PARTS LIST

**PART NO.
F03846**

ITEM NO.	PART NO.	DESCRIPTION	QUANTITY
A	FTP-A	FRAME WORK ASSY	1
1	FTP846A080100	FRAMEWORK	1
2	FTP846A010200	GUARD RING	1
3	FTP8360453	SEAT	1
4	FTP846A080200	ENGINE THERMAL BAFFLE	1
5	FTP846A080005	SPLASH BOARD	1
6	FTP846A080013	TOOL BOX	1
7	FTP846A040100	WATER & FUAL TANK HOLDER	2
8	FTP846A080009	THROTTLE PEDAL BASE BOARD	1
9	FTP846A040200	THROTTLE PEDEAL SUPPORT	1
10	FTP846A040001	THROTTLE PEDAL SHAFT	1
11	FTP836592	THROTTLE PEDAL	1
12	FTP846A080008	DEAD MAN'S PEDAL BASE BOARD	1
13	FTP846A040300	DEAD MAN'S PEDEAL SUPPORT	1
14	FTP8361062	DEAD MAN'S PEDEL	1
15	FTP598	LIGHT	4
16	FTP9904	METER	1
17	FTP9539	SWITCH	2
17B	FTP846B080015	KEY STARTER - SWITCH	1
18	FTP8360464	BATTERY BOX	1
19	FTP19	BATTERY	1
20	FTP8360463	BATTERY BOX COVER	1
21	FTP968	BATTERY CONNECTOR	1
22	FTP8360806	LOCK BOLT	1
23	FTP846A080700	SEAT BOARD	1
24	FTP846A080012	CHOKE SWITCH	1
25	FTP846A9522	THROTTLE CABLE	1
26	FTP846A9523	THROTTLE CABLE COVER	1

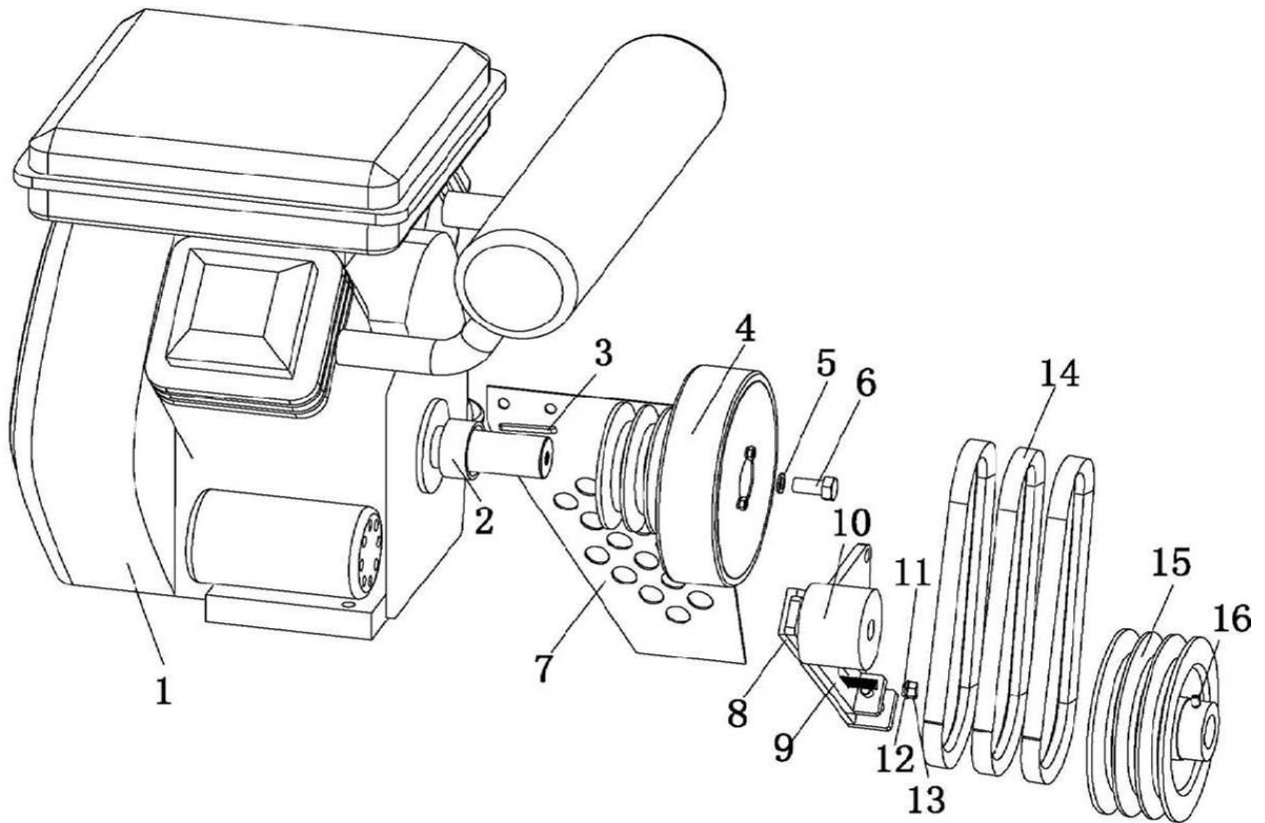


SERVICE SHEET SS_F03846 ISSUE 13.12.2010

**RIDE-ON POWER TROWEL
FP846 PARTS LIST**

**PART NO.
F03846**

ITEM NO.	PART NO.	DESCRIPTION	QUANTITY
B	FTP-B	POWER SYSTEM	1
1	FTP1000032	ENGINE, B&S VANGUARD, 35HP	1
2	FTP846A03005	LOCATING RING	1
3	FTP9155	KEY	1
4	FTP846A030400	CLUTCH	1
5	FTP846A030006	SPACER	1
6	FTP529	BOLT	1
7	FTP846A080400	GUARD	1
8	FTP846A030100	MOUNTING PLATE	1
9	FTP836A030200	PULLEY ADJUSTMENT BOARD	1
10	FTP846A030003	TENSIONER	1
11	FTP9037	SPRING WASHER	1
12	FTP9038	PLAIN WASHER	1
13	FTP9036	NUT	1
14	FTP249	BELT	3
15	FTP846A030002	PULLEY	1
16	FTP9216	LOCK SCREW	2



Power System - B



SERVICE SHEET SS_F03846 ISSUE 13.12.2010

**RIDE-ON POWER TROWEL
FP846 PARTS LIST**

**PART NO.
F03846**

ITEM NO.	PART NO.	DESCRIPTION	QUANTITY
C	FTP-C	DRIVING SYSTEM	1
1	FTP846A020100	LEVER	2
2	FTP846A020105	BUSHING	4
3	FTP846A020001	BUSHING	1
4	FTP846A020002	BUSHING	1
5	FTP846A020003	SHAFT	1
6	FTP846A020004	SHAFT	1
7	FTP846A020005	SHAFT	1
8	FTP846A020200	ROTOR PLATE	1
9	FTP8361194	BUSHING	2
10	FTP846A020006	CONTROL SHAFT	2
11	FTP846A020007	STEERING SHAFT	2
12	FTP846A020008	BUSHING	8
13	FTP846A020009	CONNECTING SHAFT	2
14	FTP846A020010	INTERLOCK BOLT	1
15	FXP846A020011	DOUBLE END BOLT	1
16	FTP846A020012	TENSION ROD	1
17	FTP846A020300	OPERATING LEVER, LEFT	1
18	FTP846A020400	OPERATING LEVER, RIGHT	1
19	FTP9035	GRIP	2
20	FTP9702	HEX BOLT	4
21	FTP9500	OSCILLATING BEARING	1
22	FTP9513	LOCK NUT	4
23	FTP9030	PIN	2
24	FTP9101	SCREW	14
25	FTP9112	NUT	4
26	FTP9502C	GREASE CAP	2
27	FTP9502B	GREASE CAP	5
28	FTP9168	NUT	6
29	FTP9501	OSCILLATING BEARING	5
30	FTP9514	NUT	5
31	FTP9703	HEX BOLT	2
32	FTP9464	OSCILLATING BEARING	6
33	FTP9506	RETAINING - PIN	4
34	FTP9505	PIN - PIVOT	4

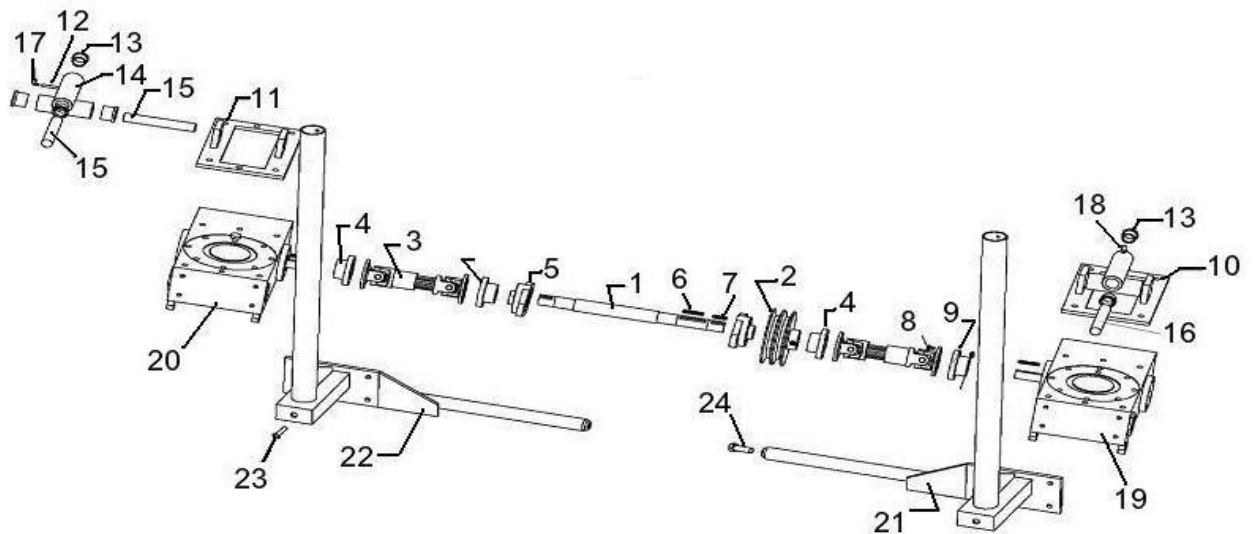


SERVICE SHEET SS_F03846 ISSUE 13.12.2010

**RIDE-ON POWER TROWEL
FP846 PARTS LIST**

**PART NO.
F03846**

ITEM NO.	PART NO.	DESCRIPTION	QUANTITY
D		STEERING SYSTEM	
1	FTP846A030001	INTERMEDIATE SHAFT	1
2	FTP846A030002	BELT PULLEY	1
3	FTP846A030300	JOINT SHAFT	2
4	FTP846A030004	CONNECTING FLANGE	4
5	FTP9465	BEARING	2
6	FTP9706	KEY	1
7	FTP9707	KEY	2
8	FTP9701	HEX BOLT	16
9	FTP9023	LOCK NUT	16
10	FTP846A050100	LIFTING FRAME, GEARBOX LEFT	1
11	FTP846A050200	LIFTING FRAME, GEARBOX RIGHT	1
12	FTP846A050009	GREASE CAP CONNECTOR	1
13	FTP846A050107	BUSHING	4
14	FTP846A050300	CROSS FRAME	1
15	FTP846A050001	ROTOR SHAFT	1
16	FTP846A020004	SHAFT	2
17	FTP9502C	GREASE CAP	1
18	FTP9052B	GREASE CAP	1
19	FTP846A060001	GEARBOX LEFT	1
20	FTP846A060002	GEARBOX RIGHT	1
21	FTP846A050400	GEARBOX FRAME LEFT	1
22	FTP846A050500	GEARBOX FRAME RIGHT	1
23	FTP9702	BOLT	2
24	FTP9703	BOLT	2



D. STEERING SYSTEM

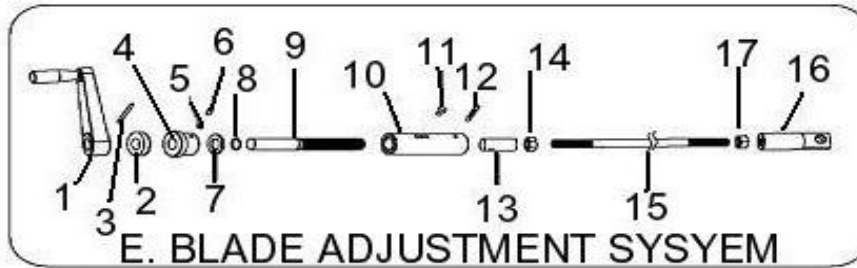


SERVICE SHEET SS_F03846 ISSUE 13.12.2010

**RIDE-ON POWER TROWEL
FP846 PARTS LIST**

**PART NO.
F03846**

ITEM NO.	PART NO.	DESCRIPTION	QUANTITY
E	FTP4465500	BLADE ADJUSTMENT SYSTEM	2
1	FTP470	PITCH HANDLE	2
2	FTP9025	BEARING	2
3	FTP9157A	LOCK PIN	2
4	FTP846A050004	BUSHING	2
5	FTP9022	SPRING WASHER	2
6	FTP9093	HEX SCREW	2
7	FTP4365504	WASHER	2
8	FTP9027	WASHER	2
9	FTP4365503	ADJUST SHAFT	2
10	FTP846A050006	ADJUST SHAFT BUSHING	2
11	FTP9028	SCREW	2
12	FTP9157	PIN	2
13	FTP846A050008	CONNECTOR	2
14	FTP9059	NUT	4
15	FTP846A050005	SHAFT	2
16	FTP846A050007	DRAW HEAD	2
17	FTP9059	NUT	4





SERVICE SHEET SS_F03846 ISSUE 13.12.2010

RIDE-ON POWER TROWEL FP846 PARTS LIST

**PART NO.
F03846**

ITEM NO.	PART NO.	DESCRIPTION	QUANTITY
F	FTP-F	GEARBOX ASSY (Left Side)	
1	FTP846A060001	GEARBOX CASING LEFT	1
2	FTP846A060003	GEARBOX COVER	1
3	FTP846A060100	BRONZE GEAR	1
4	FTP846A060009	COUNTER SHAFT	1
5	FTP846A060005	MAIN SHAFT	1
6	FTP846A060011	SHIMMING	1
7	FTP846A060004	PRESSURE RING	1
8	FTP846A060012	SHIMMING	2
9	FTP846A060007	BEARING FLANGE	1
10	FTP846A060008	BEARING FLANGE	1
11	FTP4364100	RELEASE VALVE	2
12	FTP4364007	COUNTERSUNK SCREW	1
13	FTP9043	SCREW	12
14	FTP9118	SCREW	8
15	FTP9466	ROLLER BEARING	2
16	FTP9064	GLASS WINDOW	1
17	FTP9366	SEAL	1
18	FTP9367	O SEAL	1
19	FTP9708	KEY - PARALLEL	1
20	FTP9468	BALL BEARING	1
21	FTP9467	ROLLER BEARING	1
22	FTP9368	SEAL	1
23	FTP9710	KEY - PARALLEL	1
24	FTP9156	WOODRUFF KEY	1
25	FTP9053	PLUG	2
26	FTP9709	STRAIGHT KEY	1
27	FTP9705	LOCK SCREW	6
28	FTP846A050003	YORK ARM	1
29	FTP846A050002	YORK ARM SHAFT	1
30	FTP9202	RETAINER RING	1
31	FTP846A070001	BLADE ARM	4
32	FTP846A070002	PRESSURE PLATE COVER	1
33	FTP846A070003	PRESSURE PLATE	1



SERVICE SHEET SS_F03846 ISSUE 13.12.2010

**RIDE-ON POWER TROWEL
FP846 PARTS LIST**

**PART NO.
F03846**

ITEM NO.	PART NO.	DESCRIPTION	QUANTITY
		GEARBOX ASSY (Left Side)	
34	FTP8466000A	SPIDER PLATE ASSY. (Left Side)	1
35	FTP846A070004	SPIDER PLATE	1
36	FTP846A070006	BUSHING	1
37	FTP4466606	ANGLE ARM	4
38	FTP446103I	STABILIZE RING	1
39	FTP4366007	ADJUSTING SCREW	4
40	FTP9540	LOCK SCREW	4
41	FTP9066	SCREW	4
42	FTP9037	SPRING WASHER	8
43	FTP9046	SPRING WASHER	4
44	FTP9059	NUT	8
45	FTP9067	SCREW	4
46	FTP9068	SCREW	1
47	FTP9069	GREASE CAP	4
48	FTP9469	BALL BEARING	1
49	FTP9071 (FTP9040)	IMPERIAL BOLT (METRIC BOLT)	8
50	FTP9131 (FTP9215)	IMPERIAL BOLT (METRIC BOLT)	4
51	FTP9072	PLASTIC PLUG	4
52	FTP9147	SCREW	4
53	FTP4466100Y	TROWEL - BLADE	4



SERVICE SHEET SS_F03846 ISSUE 13.12.2010

RIDE-ON POWER TROWEL FP846 PARTS LIST

**PART NO.
F03846**

ITEM NO.	PART NO.	DESCRIPTION	QUANTITY
G	FTP-G	GEARBOX ASSY (Right Side)	
ITEM NO.	PARTS NO.	DESCRIPTION	QTY
1	FTP846A060002	GEARBOX CASING	1
2	FTP846A060003	GEARBOX COVER	1
3	FTP846A060200	BRONZE GEAR	1
4	FTP846A060010	COUNTER SHAFT	1
5	FTP846A060006	MAIN SHAFT	1
6	FTP846A060011	SHIMMING	1
7	FTP846A060004	PRESSURE WASHER	1
8	FTP846A060012	SHIMMING	2
9	FTP846A060007	BEARING FLANGE	1
10	FTP846A060008	BEARING FLANGE	1
11	FTP4364100	RELEASE VALVE	2
12	FTP9145	COUNTERSUNK SCREW	1
13	FTP9043	SCREW	12
14	FTP9118	SCREW	8
15	FTP9466	ROLLER BEARING	2
16	FTP9064	GLASS WINDOW	1
17	FTP9366	SEAL	1
18	FTP9367	O SEAL	1
19	FTP9708	KEY - PARALLEL	1
20	FTP9468	BALL BEARING	1
21	FTP9467	ROLLER BEARING	1
22	FTP9368	SEAL	1
23	FTP9710	KEY - PARALLEL	1
24	FTP9156	WOODRUFF KEY	1
25	FTP9053	PLUG	2
26	FTP9709	STRAIGHT KEY	1
27	FTP9705	LOCK SCREW	6
28	FTP846A050003	YORK ARM	1
29	FTP846A050002	YORK ARM SHAFT	1
30	FTP9202	RETAINER RING	1
31	FTP846A070001	BLADE ARM	4
32	FTP846A070002	PRESSURE PLATE COVER	1
33	FTP846A070003	PRESSURE PLATE	1



SERVICE SHEET SS_F03846 ISSUE 13.12.2010

**RIDE-ON POWER TROWEL
FP846 PARTS LIST**

**PART NO.
F03846**

ITEM NO.	PART NO.	DESCRIPTION	QUANTITY
34	FTP8366000B	SPIDER PLATE ASSY. (Right Side)	1
35	FTP846A070005	SPIDER PLATE	1
36	FTP846A070006	BUSHING	1
37	FTP8366006	ANGLE ARM	4
38	FTP446103I	STABILIZE RING	1
39	FTP4366007	ADJUSTING SCREW	4
40	FTP9540	LOCK SCREW	4
41	FTP9066	SCREW	4
42	FTP9037	SPRING WASHER	8
43	FTP9046	SPRING WASHER	4
44	FTP9059	NUT	8
45	FTP9067	SCREW	4
46	FTP9068	SCREW	1
47	FTP9069	GREASE CAP	4
48	FTP9469	BALL BEARING	1
49	FTP9071 (9040)	IMPERIAL BOLT (METRIC BOLT)	8
50	FTP9131 (9215)	IMPERIAL BOLT (METRIC BOLT)	4
51	FTP9072	PLASTIC PLUG	4
52	FTP9147	SCREW	4
53	FTP4466100Y	BLADE	4

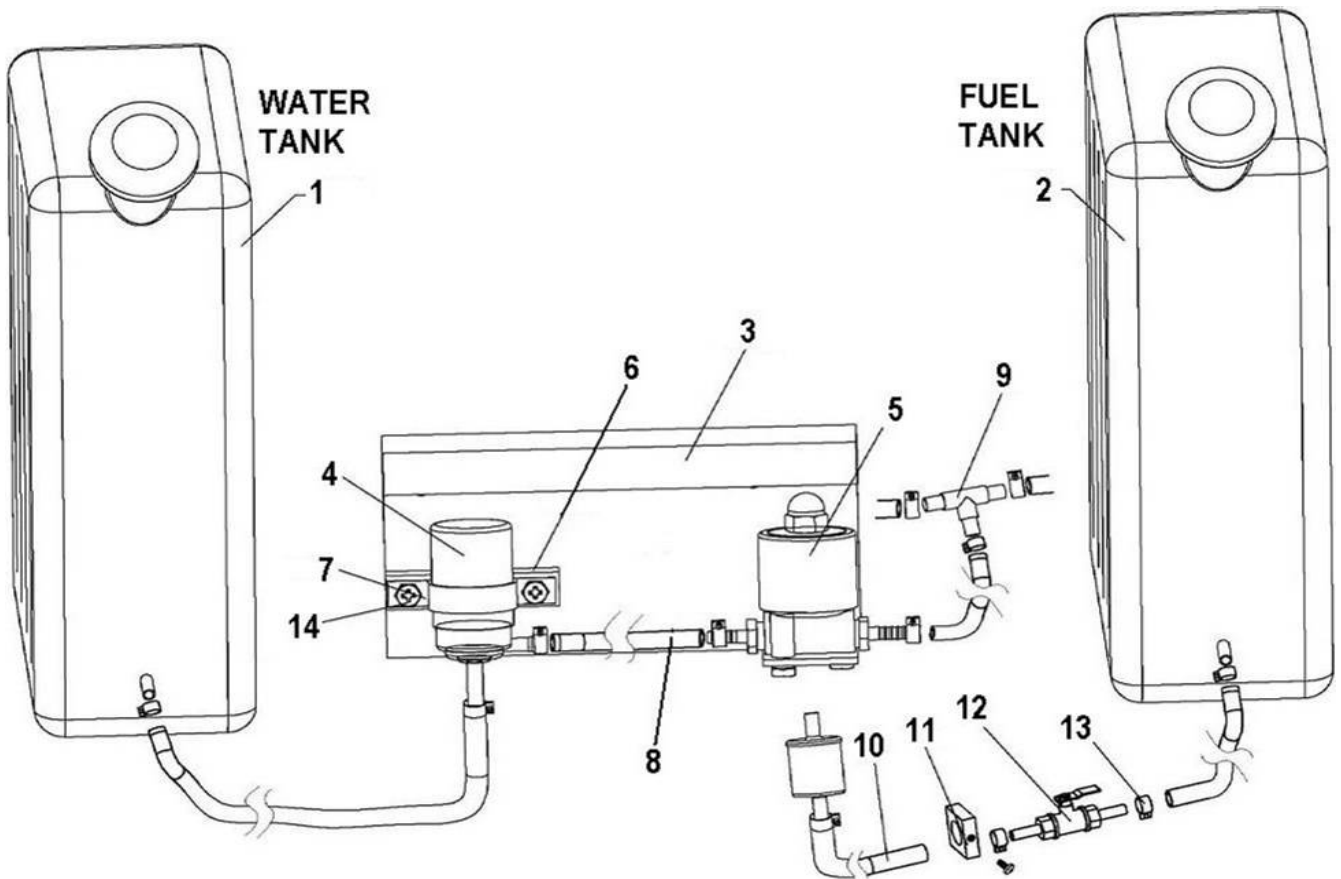


SERVICE SHEET SS_F03846 ISSUE 13.12.2010

**RIDE-ON POWER TROWEL
FP846 PARTS LIST**

**PART NO.
F03846**

ITEM NO.	PART NO.	DESCRIPTION	QUANTITY
H		WATER & FUEL SUPPLY SYSTEM	
1	FTP8361073	WATER TANK	1
2	FTP8361073A	FUEL TANK	1
3	FTP8360731	MOUNTING PLATE	1
4	FTP1067	WATER PUMP	1
5	FTP1142	SOLENOID VALVE	1
6	FTP8361377	MOUNTING BAR	1
7	FTP8361144	CLAMP	1
8	FTP754	PLASTIC PIPE	1
9	FTP9571	CONNECTOR	1
10	FTP589	FUEL PIPE	1
11	FTP8361440	SWITCH BASE	1
12	FTP1476	VALVE	1
13	FTP1071	CONNECTOR	1
14	FTP9010	SCREW	2



WATER & FUEL SUPPLY SYSTEM - H



SERVICE SHEET SS_F03846 ISSUE 13.12.2010

**RIDE-ON POWER TROWEL
FP846 PARTS LIST**

**PART NO.
F03846**

ITEM NO.	PART NO.	DESCRIPTION	QUANTITY
		TRANSPORTATION TROLLEY	
1	FTP8461510	FRAME	1
2	FTP8461520	FRAME	1
3	FTP8361510A	PITCH CONTROL	3
4	FTP8361530	TUBE	3
5	FTP8461530	PULLER	1
6	FTP9623	OMNI-DIRECTIONAL WHEEL	1
7	FTP9622	FIXED WHEEL	2
8	FTP9018	SCREW	12
9	FTP9047	PLATE WASHER	12
10	FTP9046	WAVE WASHER	12
11	FTP9091	NUT	12

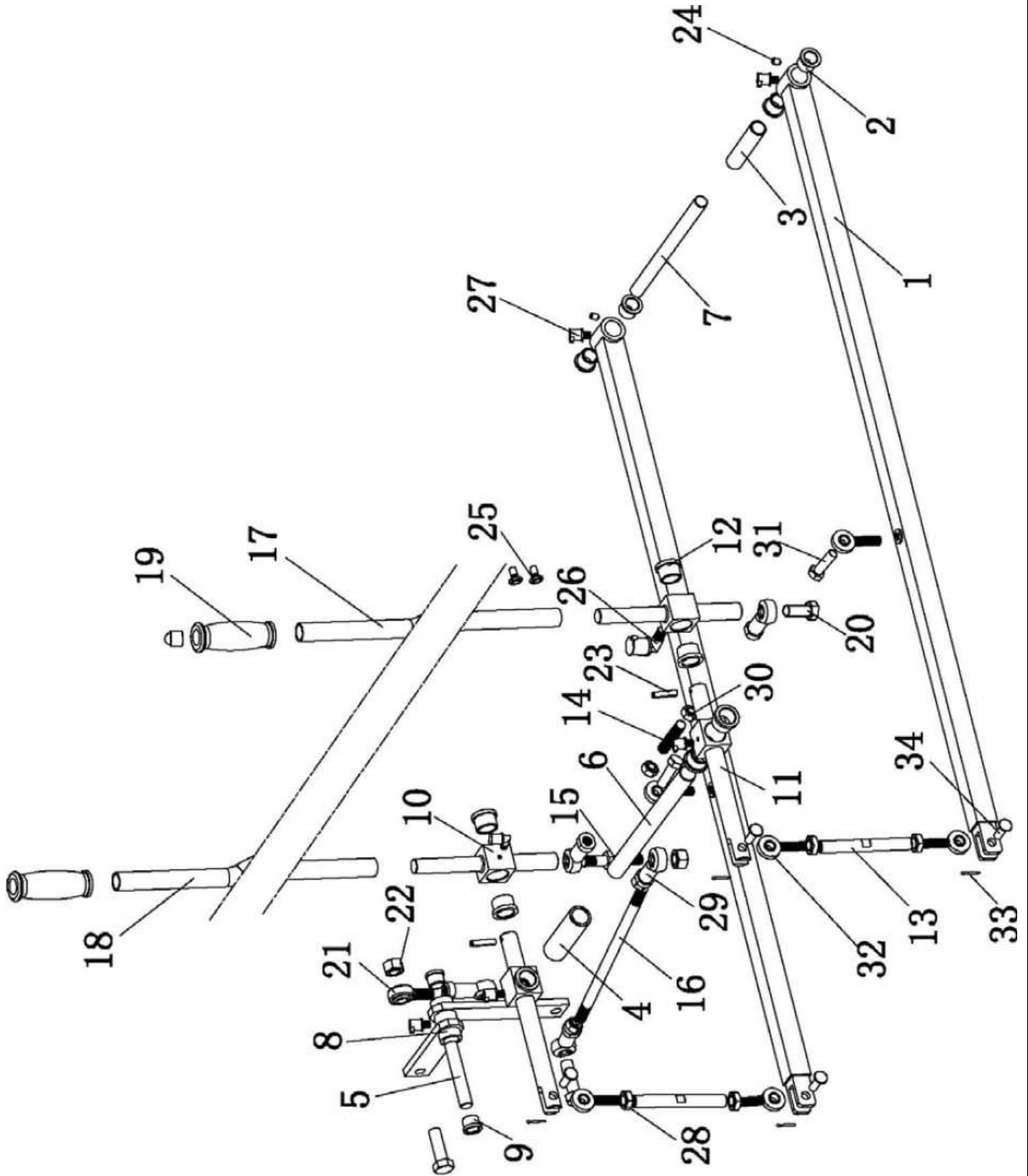


SERVICE SHEET SS_F03846 ISSUE 13.12.2010

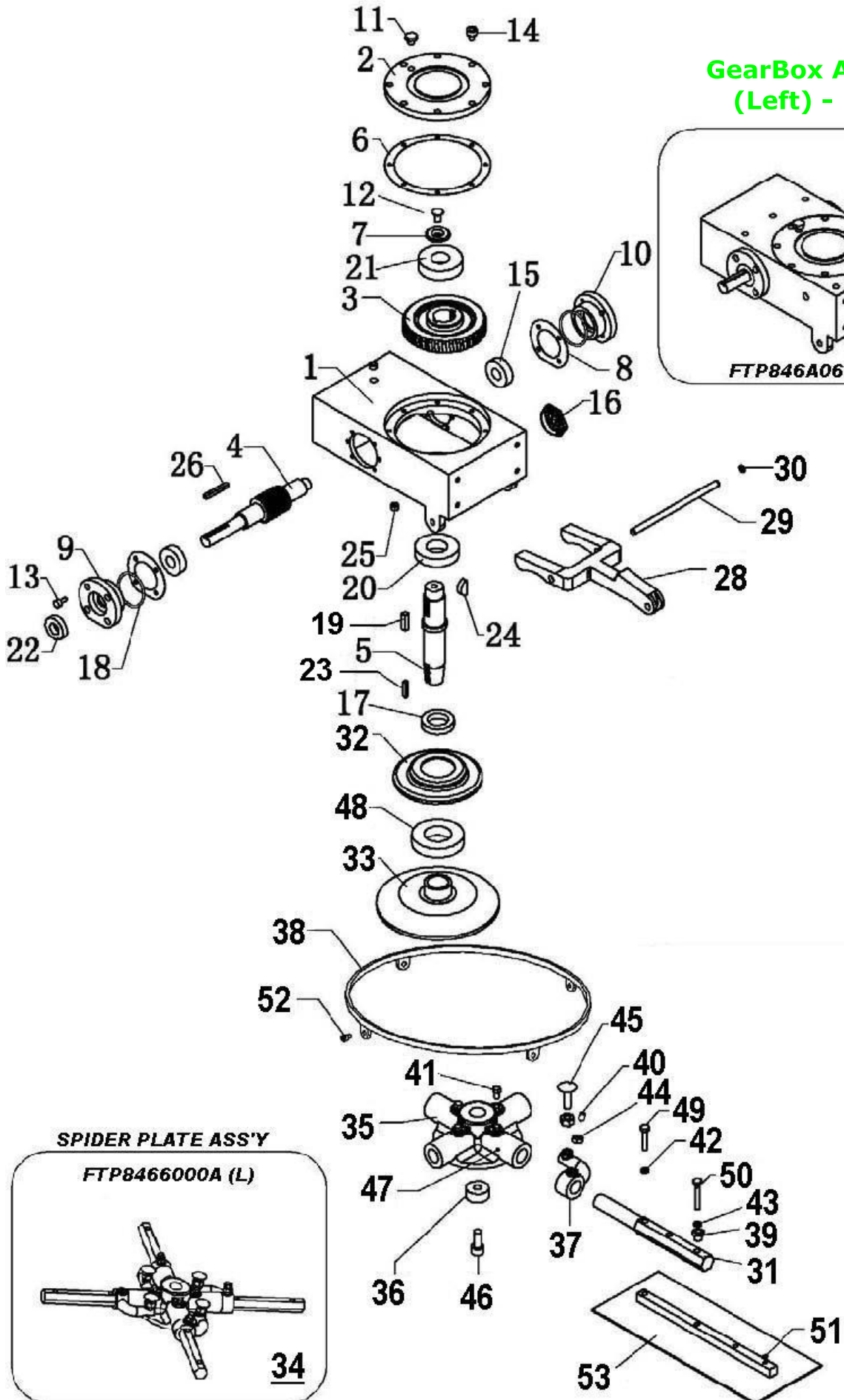
**RIDE-ON POWER TROWEL
FP846 PARTS LIST**

**PART NO.
F03846**

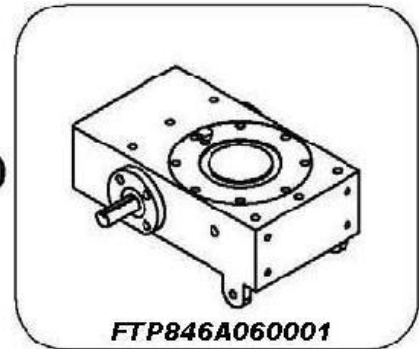
ITEM NO.	PART NO.	DESCRIPTION	QUANTITY
		CONTROL PEDALS	
1	FTP846A040500	Throttle pedal	1
2	FTP846A040200	Throttle pedal support	1
3	FTP8361426	Connector	1
4	FTP8361427	Throttle control	1
5	FTP846A040001	Shaft	1
6	FTP8361428	Throttle cable holder	1
7	FTP846A9522	Throttle cable	1
8	FTP846A9523	Throttle cable cover	1
9	FTP846A040400	Dead Man's pedal	1
10	FTP846A040300	Dead Man's pedal support	1
11	FTP9555	Stop switch	1



Driving System - C

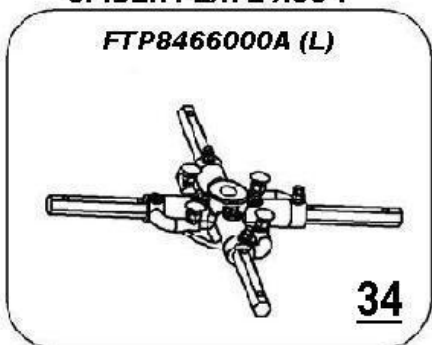


**GearBox Ass'y
(Left) - F**



SPIDER PLATE ASS'Y

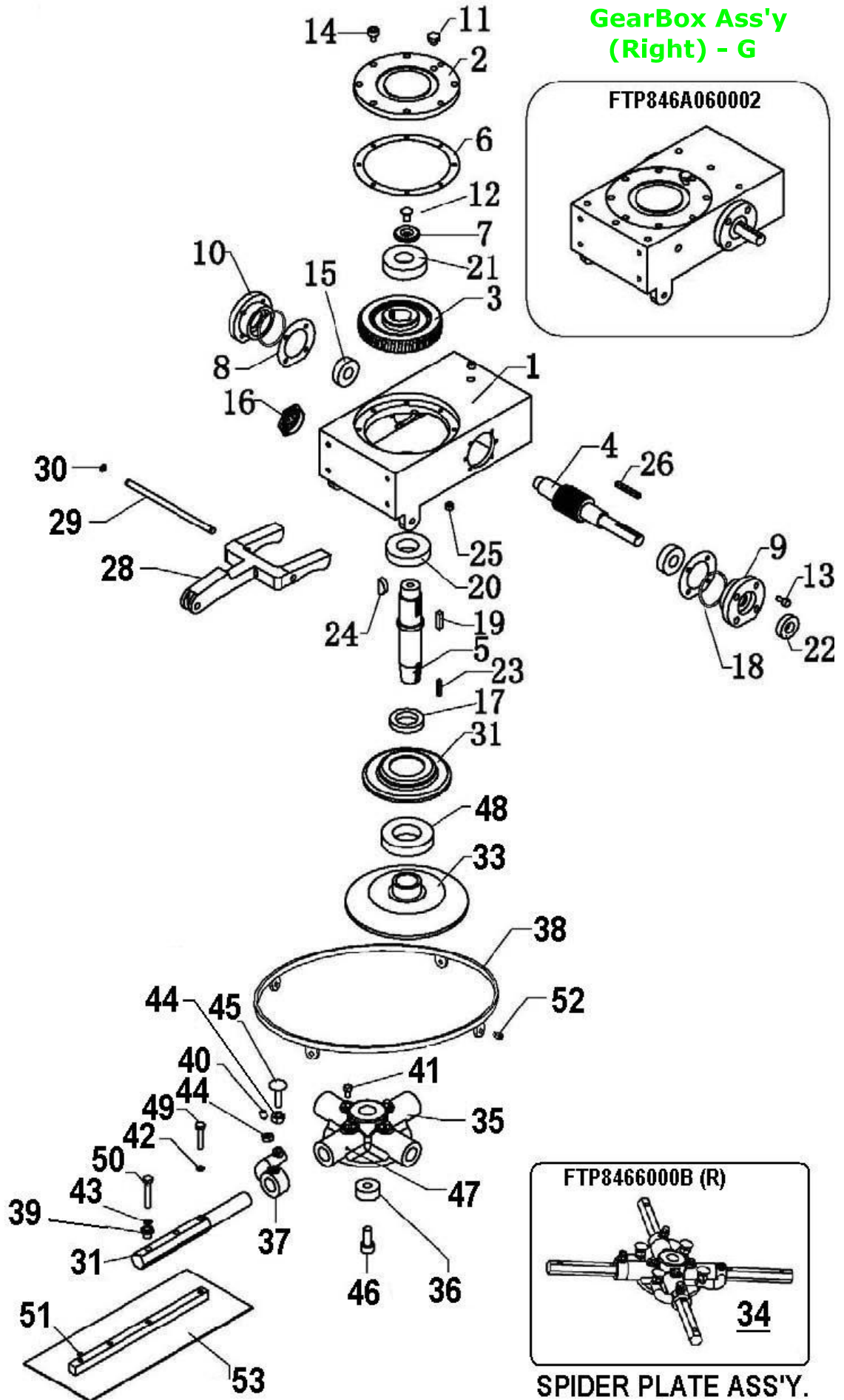
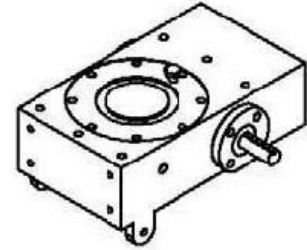
FTP8466000A (L)



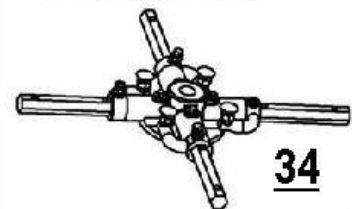


GearBox Ass'y (Right) - G

FTP846A060002



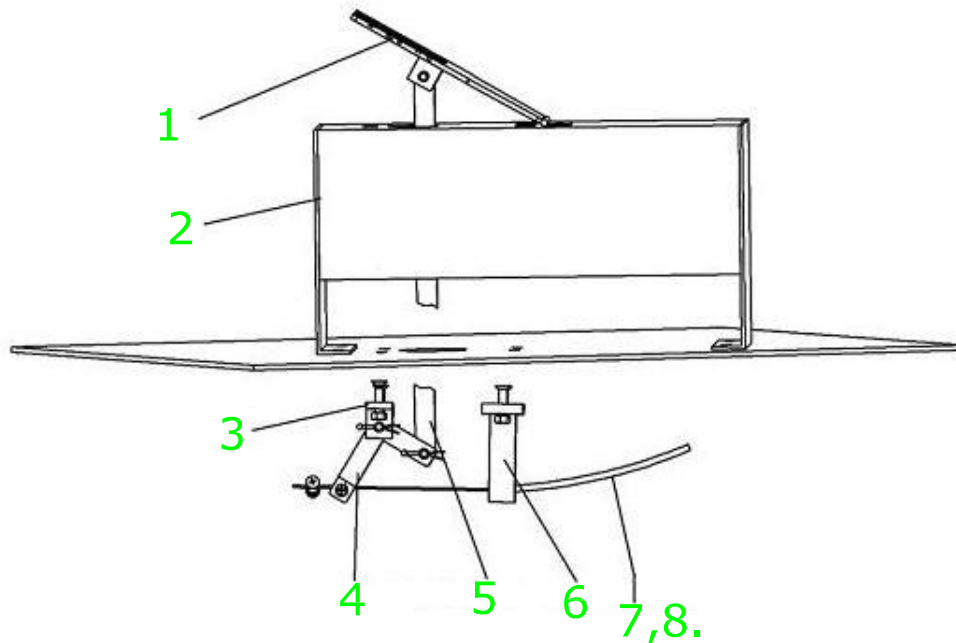
FTP8466000B (R)



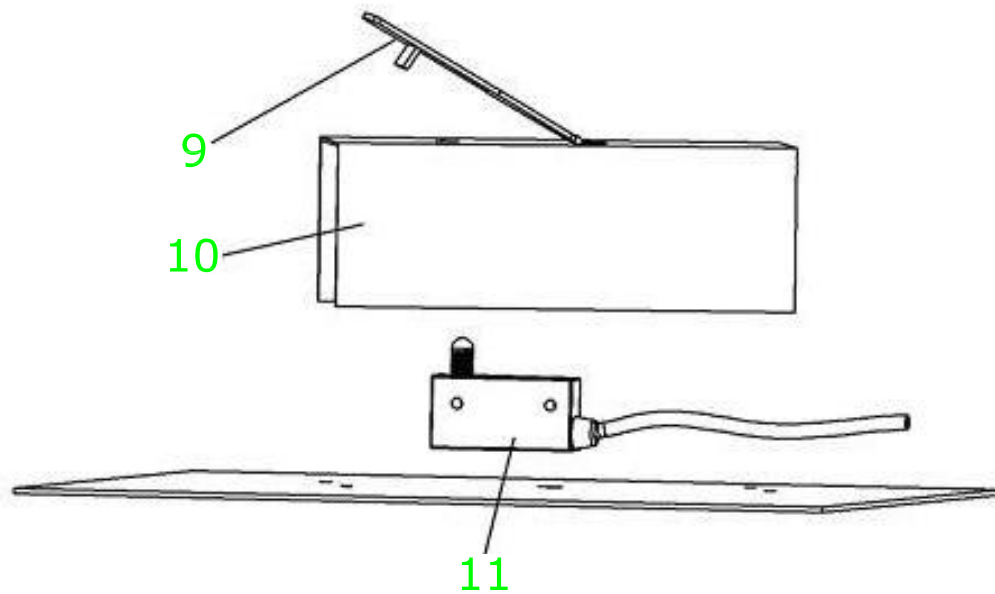
34

SPIDER PLATE ASS'Y.

Trottle Pedals



Dead Man's Pedals



Control Pedals



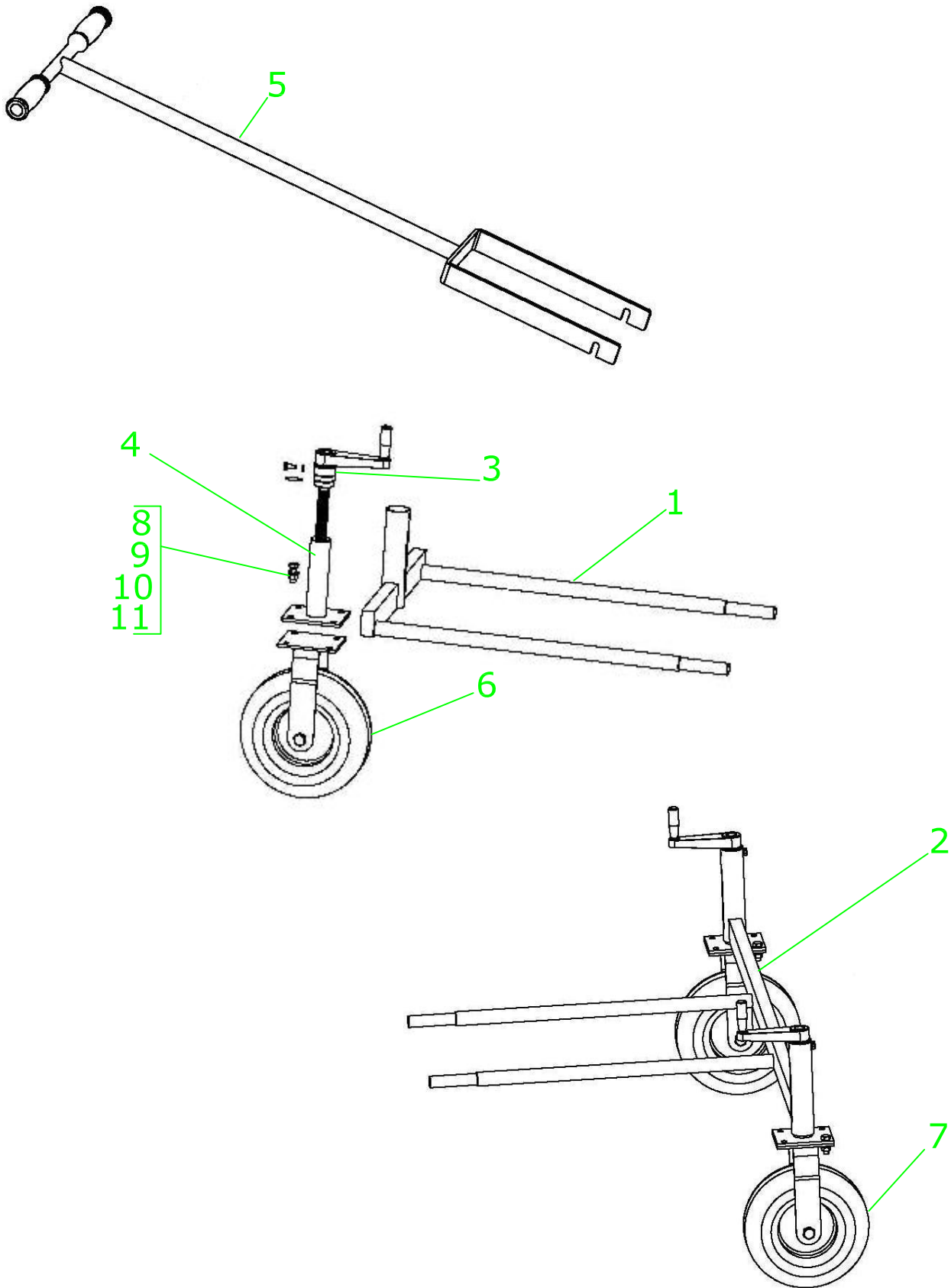
Flextool

SERVICE SHEET SS_F03846 ISSUE 13.12.2010

RIDE-ON POWER TROWEL

MODEL FP846
(46", ENGINE VANGUARD 35HP, ELECTRIC START)

PART NO.
F03846



Transportation Trolley



For more information on our product range, visit one of our branches or log onto www.parchem.com.au.

New South Wales

Penrith

4/31 Jack Williams Dve
Tel: 02 4722 9259

Narellan

Unit 1, 7-9 Gallipoli St
Tel: 02 4647 0623

Padstow

119 Fairford Rd
Tel: 02 9771 6626

Riverstone

14 Edward St
Tel: 02 9627 9133

Coffs Harbour

1/5 Industrial Dve
Tel: 02 6652 3599

Thornton

45 Glenwood Dve
Tel: 02 4964 4277

Tuggerah*

4 Ace Cres
Tel: 02 4352 2287

Moorebank*

52 Heathcote Rd
Tel: 02 9601 1422

South Australia

Hindmarsh*

29/31 Manton St
Tel: 08 8241 6000

Victoria

Brunswick

400 Victoria St
Tel: 03 9326 8300

Berwick

3/21-23 Enterprise Ave
Tel: 03 9796 1027

Campbellfield

24 Foden Ave
Tel: 03 9308 6133

Queensland

Brendale

33 Kremzow Rd
Tel: 07 3889 7600

Nerang

12 Hilldon Crt
Tel: 07 5527 2227

Springwood

1/58 Parramatta Rd
Tel: 07 3808 8133

Garbut

336 Bayswater Rd
Tel: 07 4729 5911

Western Australia

Belmont

45 Belmont Ave
Tel: 08 6279 9799

* Parchem Construction Supplies Trade Stores which stock a comprehensive range of Parchem products.