



SPARE PARTS MANUAL

Flextool VP Series Concrete Vibrators VP40 – VP50 – VP60



(All Models)

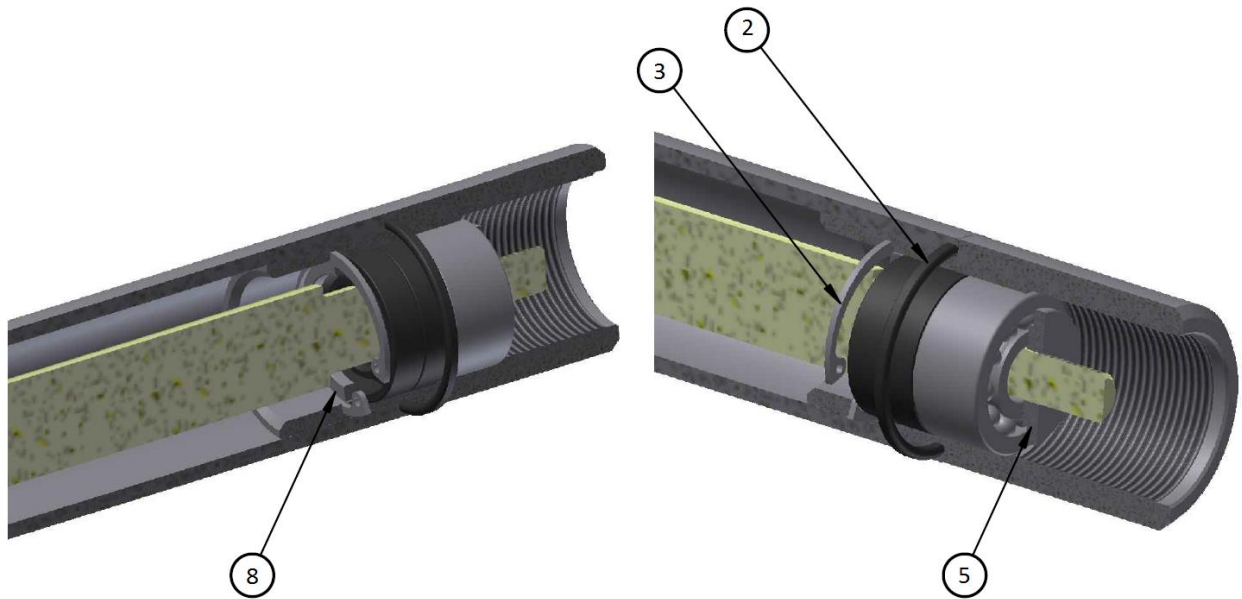
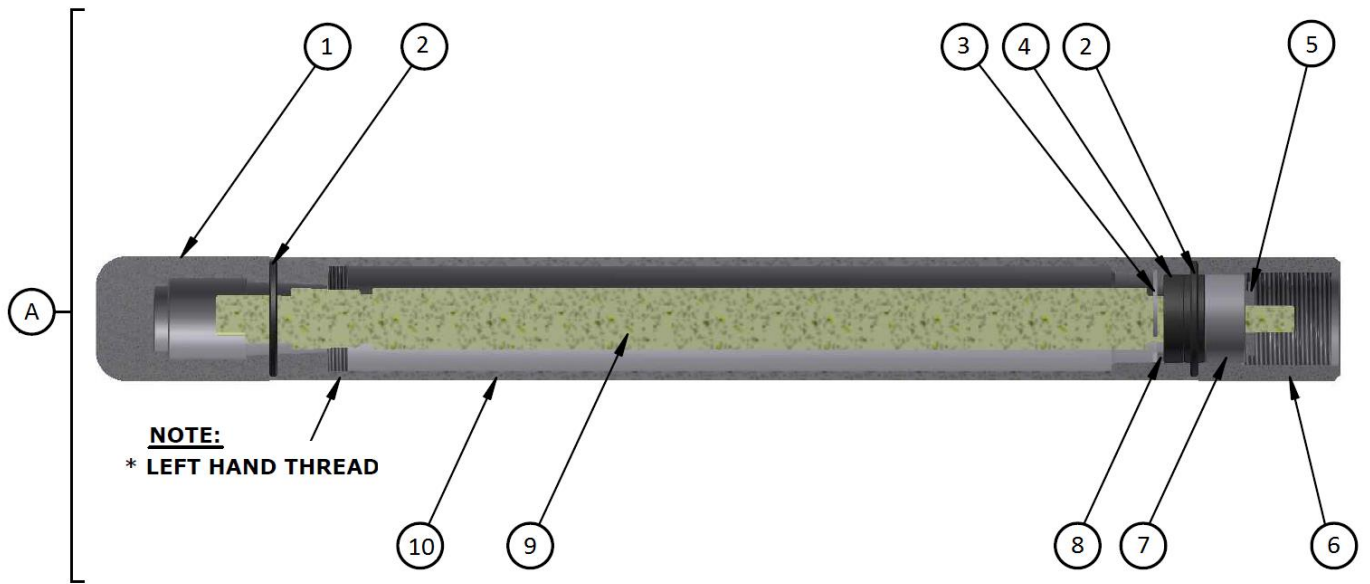
VP40 Series - F01745 – F01746 – F01745R – F01746R – F01745EX – F01746EX – F01745REX – F01746REX

VP50 Series – F01755 – F01756 – F01755R – F01756R - F01755EX – F01756EX – F01755REX – F01756REX

VP60 Series – F01775 – F01778 - F01775R – F01778R - F01775EX – F01778EX - F01775REX – F01778REX

Applies to product from Serial Number 150000 to 189999

Barrel (All Types)



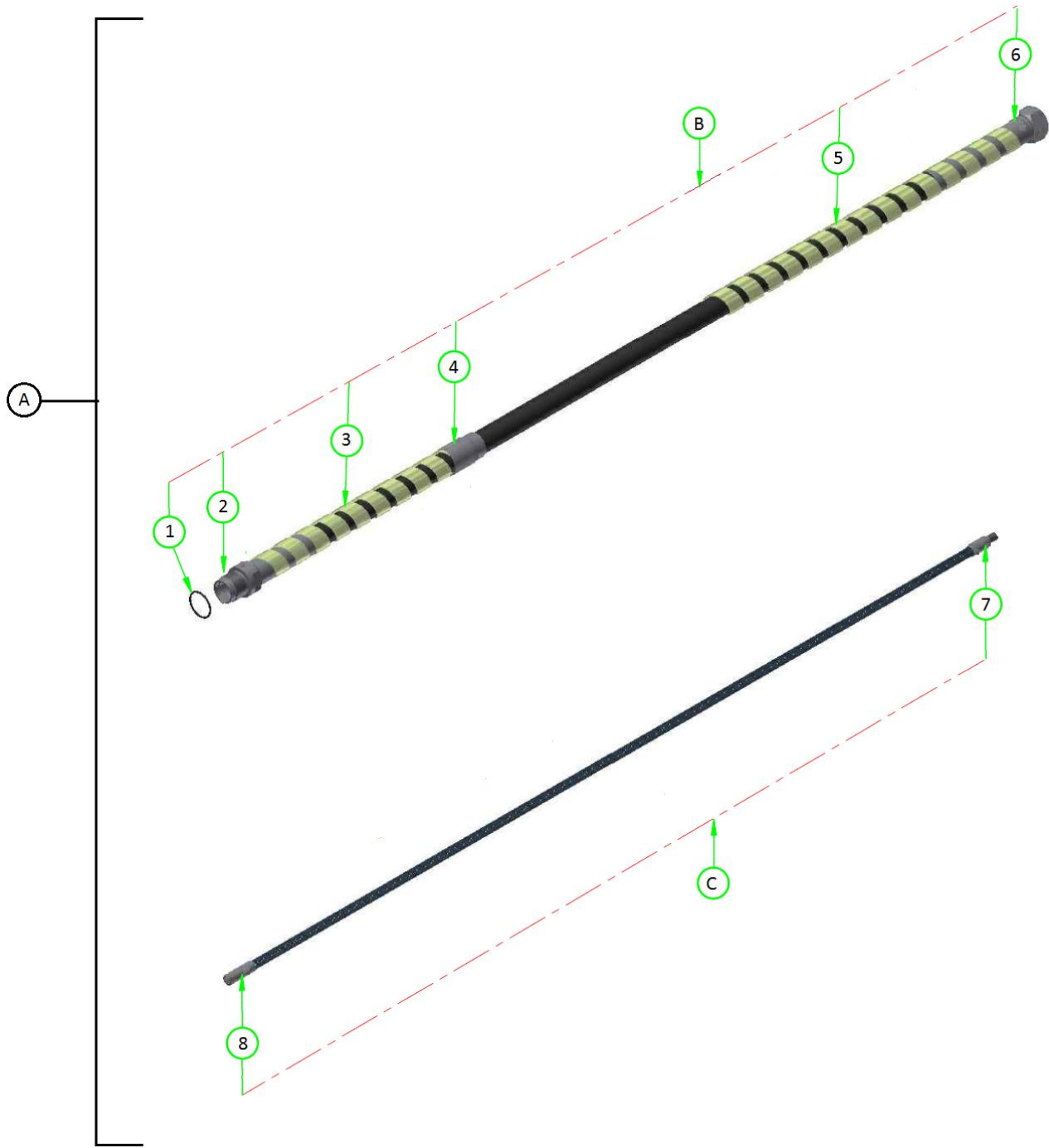
Vibrating Barrel (All Types)

Item No.	Product Code	Description	Qty	Remarks
A	F07941	Vibrating Head Assy (Hard Nose)	1	Suits VP40
	F07600	Vibrating Head Assy (Hard Nose)	1	Suits VP50
	F07780	Vibrating Head Assy (Hard Nose)	1	Suits VP60
	F07941R	Vibrating Head Assy (Polyurethane Nose)	1	Suits VP40
	F07600R	Vibrating Head Assy (Polyurethane Nose)	1	Suits VP50
	F07780R	Vibrating Head Assy (Polyurethane Nose)	1	Suits VP60
1	F07942	Nose Cap – Hard Nose	1	Suits VP40
	F07601	Nose Cap – Hard Nose	1	Suits VP50
	F07781	Nose Cap – Hard Nose	1	Suits VP60
	F07942R	Nose Cap – Polyurethane Nose	1	Suits VP40
	F07601R	Nose Cap – Polyurethane Nose	1	Suits VP50
	F07781R	Nose Cap – Polyurethane Nose	1	Suits VP60
2		O-Ring 26.7id x Diam 2.60mm (F07502)	2	Use F07941-SK (Service Kit) Suits VP40
		O-Ring 39.0id x Diam 2.50mm (F07608)	2	Use F07600-SK (Service Kit) Suits VP50
		O-Ring 42.9id x Diam 3.50mm (F04722)	2	Use F07780-SK (Service Kit) Suits VP60
3		Internal Circlip – Diam 30mm (F05680)	1	Use F07941-SK (Service Kit) Suits VP40
		Internal Circlip – Diam 35mm (F05681)	1	Use F07600-SK (Service Kit) Suits VP50
		Internal Circlip – Diam 40mm (F07787)	1	Use F07780-SK (Service Kit) Suits VP60
4		Seal - Rotary Shaft Lip. Type (F07948)	2	Use F07941-SK (Service Kit) Suits VP40
		Seal - Rotary Shaft Lip. Type (F05549)	2	Use F07600-SK (Service Kit) Suits VP50
		Seal - Rotary Shaft Lip. Type (F07788)	1	Use F07780-SK (Service Kit) Suits VP60
5		Oil Slinger / Retainer (F04890)	1	Use F07941-SK (Service Kit) Suits VP40
		Oil Slinger / Retainer (F04857)	1	Use F07600-SK (Service Kit) Suits VP50
		Oil Slinger / Retainer (F07784)	1	Use F07780-SK (Service Kit) Suits VP60
6	F07943	Bearing Housing	1	Suits VP40
	F07602	Bearing Housing	1	Suits VP50
	F07782	Bearing Housing	1	Suits VP60
7		Bearing – Self Aligning Ball Type – Double Row (NSK 2200C3) (F07947)	1	Use F07941-SK (Service Kit) Suits VP40
		Bearing – Self Aligning Ball Type – Double Row (NSK 2202C3) (F07606)	1	Use F07600-SK (Service Kit) Suits VP50
		Bearing – Self Aligning Ball Type – Double Row (NSK 2302 2RSTN YRLN5) (F07786)	1	Use F07780-SK (Service Kit) Suits VP60
8		Spacer (F07946)	1	Use F07941-SK (Service Kit) Suits VP40
		Spacer (F07605)	1	Use F07600-SK (Service Kit) Suits VP50
		Spacer Not Used on VP60		
9	F07944	Rotor	1	Suits VP40
	F07603	Rotor	1	Suits VP50
	F07783	Rotor	1	Suits VP60
10	F07945	Barrel	1	Suits VP40
	F07604	Barrel	1	Suits VP50
	F07785	Barrel	1	Suits VP60

Service Kit

Item No.	Product Code	Description	Qty	Remarks
	F07941-SK	Service Kit VP40 Vibrating Head Assy	1	Includes items – 2,3,4,5,7,8
	F07600-SK	Service Kit VP50 Vibrating Head Assy	1	Includes items – 2,3,4,5,7,8
	F07780-SK	Service Kit VP60 Vibrating Head Assy	1	Includes items – 2,3,4,5,7

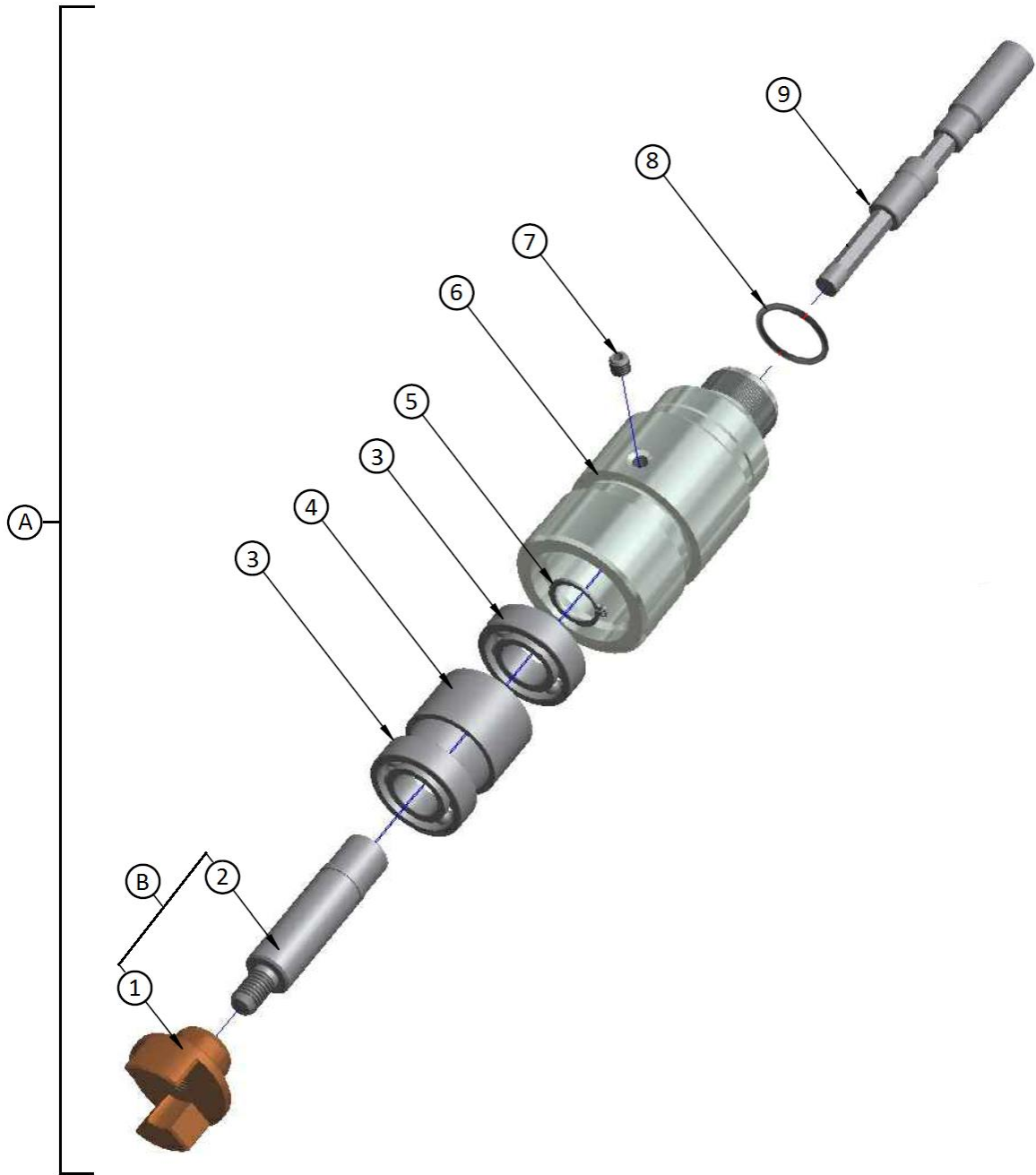
Flexshaft (All Types)



Flexshaft (All Types)

Item No.	Product Code	Description	Qty	Remarks
A	F01973	Flexshaft Assy 6x32	1	Length 6m
	F01979	Flexshaft Assy 9x32	1	Length 9m
B	F01733	Casing Assy 6x32 (uses F02708)	1	Suits 6m shaft length
	F02243	Casing Assy 9x32 (uses F02202)	1	Suits 9m shaft length
C	F06792	Inner Core 6m (uses F02847)	1	Suits 6m shaft length
	F07461	Inner Core 9m (uses F02852)	1	Suits 9m shaft length
1	F04892	O-Ring – 1.000" x 0.139"	1	
2		Ferrule Assy – (Barrel End) (F04895)	1	Use F01733 or F02243 (Item B)
3		Outer Spring – 380mm (F01702)	1	Use F01733 or F02243 (Item B)
4		Sleeve (F01843)	1	Use F01733 or F02243 (Item B)
5		Outer Spring – 560mm (F01703)	1	Use F01733 or F02243 (Item B)
6		Ferrule Assy – (Coupling End) (F07325)	1	Use F01733 or F02243 (Item B)
7	F09065	Core End	1	
8	F09066	Core End	1	

Coupling Assy (All Types)



Coupling Assy (All Types)

Item No.	Product Code	Description	Qty	Remarks
A	F06761	Coupling Assembly	1	3-Tooth (Australian Type)
	F06761EX	Coupling Assembly	1	2-Tooth (Export Type)
B	F06785	Spindle Assembly (Drive Dog & Spindle)	1	3-Tooth (Australian Type)
	F06785EX	Spindle Assembly (Drive Dog & Spindle)	1	2-Tooth (Export Type)
1		Drive Dog (F07920)	1	Use F06785 (Item B) 3-Tooth (Australian Type)
		Drive Dog (F07968)	1	Use F06785EX (Item B) 2-Tooth (Export Type)
2		Spindle (F07919)	1	Use F06785 or F06785EX (Item B)
3		Bearing – 20 x 42 x 12. (NSK 6004DDUCM) (F06765)	2	Use F08411 (Service Kit)
4	F06782	Spacer	1	
5		Circlip – External 20mm (F04504)	1	Use F08411 (Service Kit)
6		Housing (F06763)	1	Use F06761 or F06761EX (Item A)
7	F04571	Grub Screw – 5/16" x 5/16" UNC (Grade 10)	1	
8	F07502	O-Ring – 1.049" x 0.103"	1	(Included in F08411 Service Kit)
9	F04746	Sliding Core End – Assembly (uses F03111, F04739, F03115)	1	

Coupling Service Kit

Item No.	Product Code	Description	Qty	Remarks
	F08411	Service Kit – Coupling Assy	1	Includes items 3,5,8