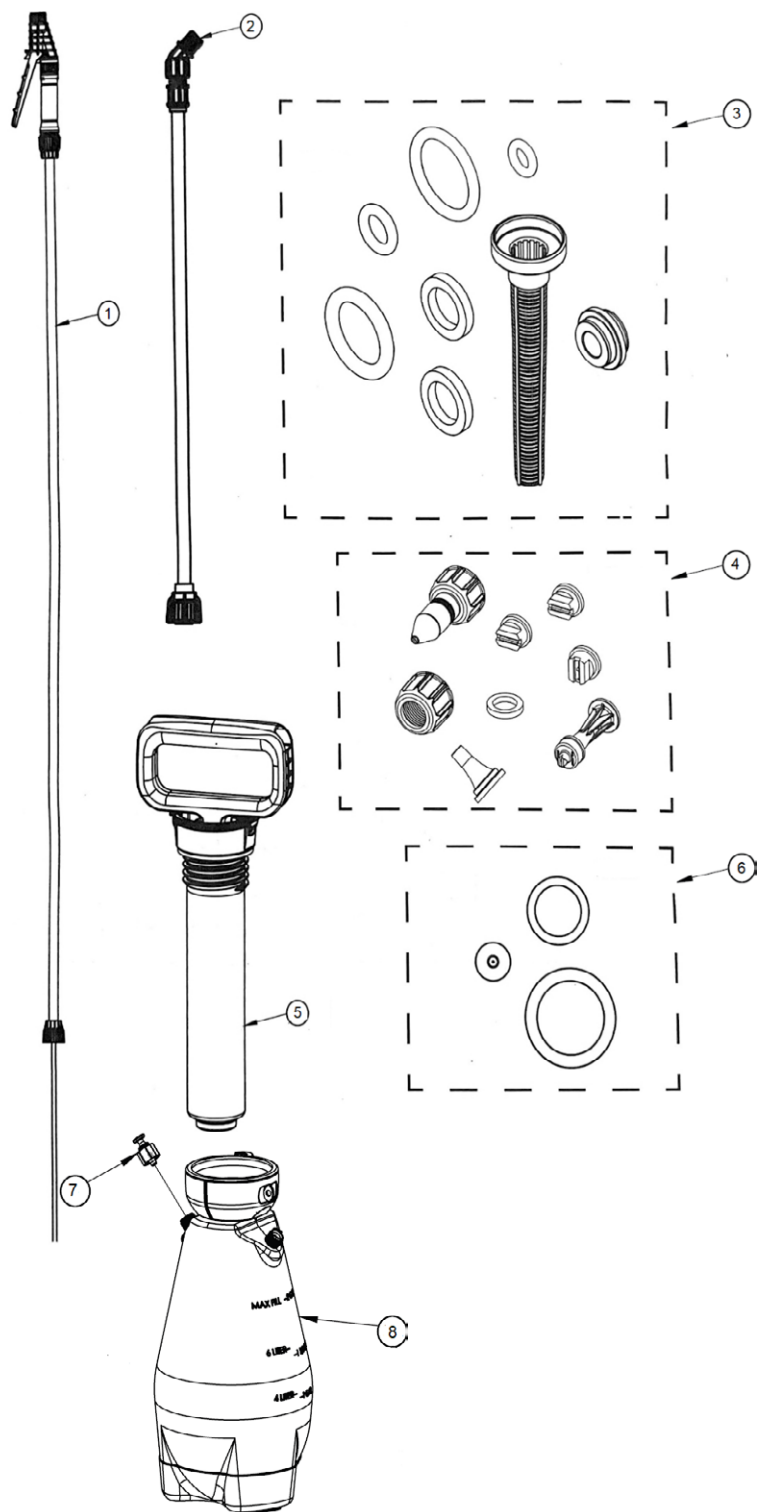


# SPARE PARTS MANUAL

## SMITH PERFORMANCE SPRAYERS MULTI-USE SPRAYER SMU-8



Version 1.0 (July 2023)



Item No.	Product Code	Description	Qty	Remarks
1	NPS01882-UNIT	SPS SHUT-OFF AY (SPS-181818)	1	
2	NPS01881-UNIT	SPS EXTENSION AY 21" (SPS-181824)	1	
3	NPS01884-UNIT	SPS SMITH PRO SHUT-OFF SERVICE KIT (SPS-181910)	1	
4	NPS01883-UNIT	SPS BRASS NOZZLE KIT (SPS-181870)	1	
5	NPS01879-UNIT	SPS R PUMP HANDLE (SPS-182259)	1	
6	NPS01880-UNIT	SPS PUMP SERVICE KIT (SPS-184524)	1	
7	NPS01878-UNIT	SPS PRESSURE REALASE VALVE AY (SPS-180836)	1	
8		SPS TANK 2 GALLON (SJI-23510-8)	1	



## **Parchem Construction Supplies Pty Ltd**

1956 Dandenong Road, Clayton VIC 3168, Australia

Phone: 1300 353 986

[flextool.com.au](http://flextool.com.au)

ABN 80 069 961 968

This manual summarises our best knowledge of the product based on the information available at the time of publication. You should read this manual carefully and consider the information in the context of how the product will be used. Our responsibility for products sold is subject to our standard terms and conditions of sale.

### **DISCLAIMER:**

Any advice, recommendation, information, assistance or service provided by us in this manual is given in good faith and is believed by us to be appropriate and reliable. However, any advice, recommendation, information, assistance or service provided by us is provided without liability or responsibility PROVIDED THAT the foregoing shall not exclude, limit, restrict or modify the right entitlements and remedies conferred upon any person or the liabilities imposed upon us by any condition or warranty implied by Commonwealth, State or Territory Act or ordinance void or prohibiting such exclusion limitation or modification. The product can be expected to perform as indicated in this manual so long as operation and operational procedures of the individual products are followed as recommended in this manual.

Design and technical specifications may be subject to changes.

© This publication is copyright. All rights are reserved. Flextool is a registered trade mark of Parchem Construction Supplies Pty Ltd. Smith Performance Sprayers is a trade mark.

**FOR MORE INFORMATION  
CONTACT US ON 1300 353 986 OR VISIT [flextool.com.au](http://flextool.com.au)**

**EXCLUSIVE TO**

