

SPARE PARTS MANUAL

FLEXTOOL SUBMERSIBLE PUMPS FP212G, FP212A, FP212C



Applies to product from Serial Number D07-10000

Version 5.0 (July 2024)

HOW TO READ THIS SPARE PARTS MANUAL

The following section explains the different symbols and remarks used in this manual and how to interpret the information outlined in the following pages.

Section 1 – Diagram and parts list

- Item No : Used to reference the spare part in the diagram to the parts list.
- Product Code : Used to indicate the unique Flextool spare parts product code used when ordering parts.

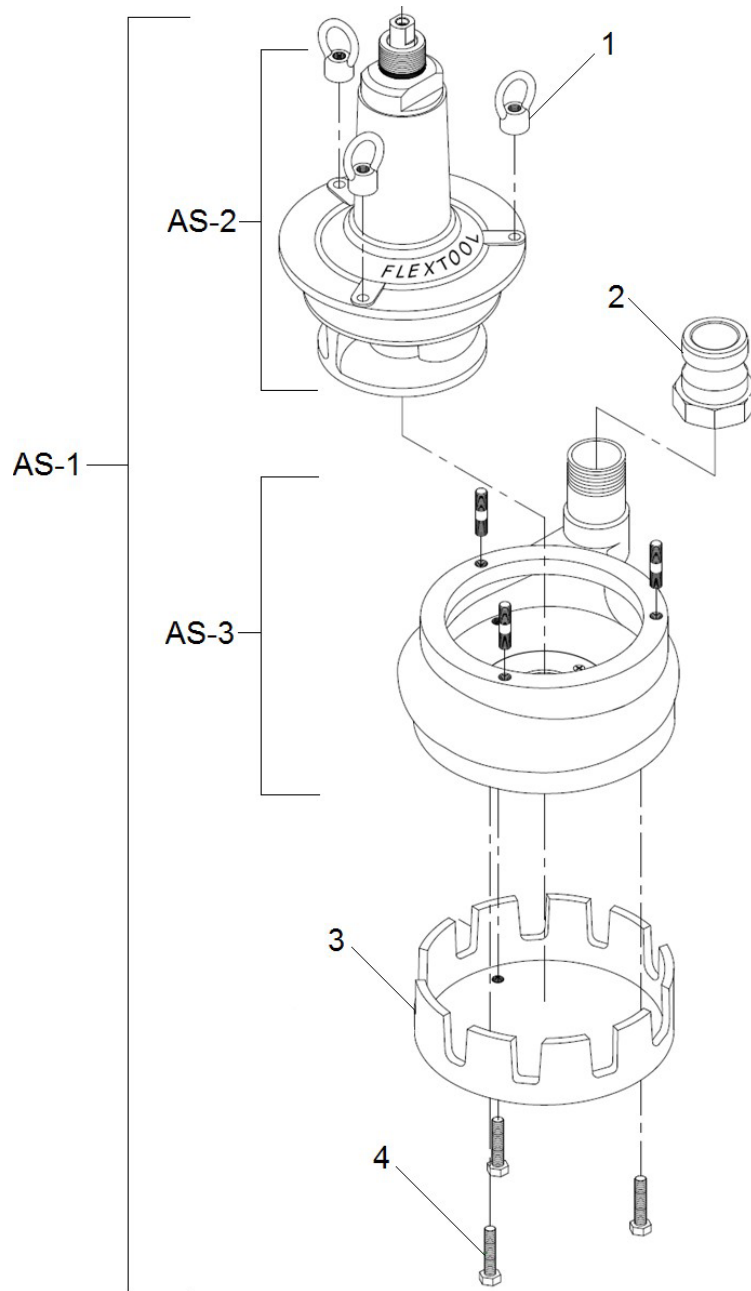
Product code can be presented in the following ways:

- Number : Signifies the unique Flextool spare parts product code used when placing orders.
 - Blank : Used for parts pending formal part number assignment at the time of publication. Also denotes that the spare parts are not sold separately or are unavailable from Flextool.
 - See remarks : Indicates that the spare parts are part of an assembly, service kit or is part of a serial number range where a particular part is used. Please refer to remarks to find further information.
- Description : Used to provide a concise description of the spare part such as size, length, diameter, models, etc.
 - Qty : Indicates the quantity of part(s) required for the equipment. Please verify the required quantity when placing an order.
 - Remarks : Refers to additional information, including assembly kit, service kit and serial number range where particular part is used
 - AS : Refers to the parts supplied with an assembly kit.
 - SK : Refers to the parts supplied with a service kit.
 - Serial number: Indicates the range of serial number where particular part is used.

Section 2 – Fast Moving Spare Parts

Description	FP212G	FP212A	FP212G
	Product Code		
EYE NUT 0.375" BSW	NPS06170-UNIT	NPS06170-UNIT	NPS06170-UNIT
SPINDLE	NPS08489-UNIT	NPS08489-UNIT	NPS08489-UNIT
IMPELLER CAST IRON	NPS06476-UNIT	NPS06476-UNIT	NPS06476-UNIT
PUMP HEAD SERVICE KIT	NPS08541-UNIT	NPS08541-UNIT	NPS08541-UNIT
FLEXSHAFT ASSY 6Mx 32MM	NPS01590-UNIT	NPS01590-UNIT	NPS01590-UNIT
FLEXSHAFT ASSY 9M X 32MM	NPS01593-UNIT	NPS01593-UNIT	NPS01593-UNIT
FLEXSHAFT ASSY 6M X 38MM	NPS01592-UNIT	NPS01592-UNIT	NPS01592-UNIT
FLEXSHAFT ASSY 9M X 38MM	NPS01594-UNIT	NPS01594-UNIT	NPS01594-UNIT
COUPLING ASSY	NPS01575-UNIT	NPS01575-UNIT	NPS01575-UNIT
COUPLING ASSY SERVICE KIT	NPS01576-UNIT	NPS01576-UNIT	NPS01576-UNIT
EXTENSION COUPLING SERVICE KIT	N/A	N/A	N/A
TRIGER EXTENSION COUPLING SERVICE KIT	N/A	N/A	N/A

Pump Head – Complete Assembly (All Types)



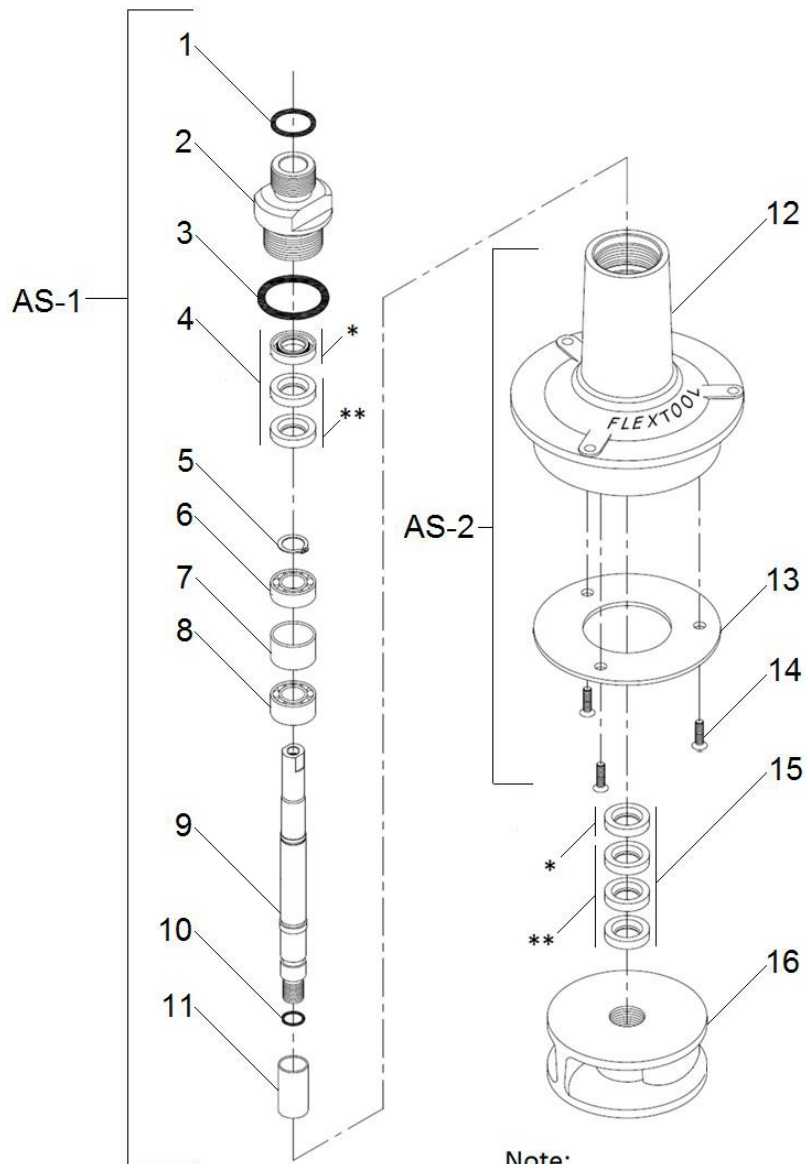
Pump Head (All Types)

Item No.	Product Code	Description	Qty	Remarks
1	NPS06170-UNIT	FLX EYE NUT 0.375" BSW (610510)	3	
2	NPS07469-UNIT	FLX CAMLOCK ADAPTOR 50MM (206308)	1	Suits FP212G & FP212A Only
3	NPS06169-UNIT	FLX STRAINER ALUMINIUM (206311)	1	Suits FP212G & FP212A
	NPS09522-UNIT	FLX STRAINER CAST IRON (206321)	1	Suits FP212C
4	NPS06902-UNIT	FLX BOLT 0.375" BSW x 2.5" (590425)	3	

Assembly / Service Kits - Pumps Head (All Types)

Item No.	Product Code	Description	Qty	Remarks
AS-1	NPS06127-UNIT	FLX ASSY PUMP HEAD GENERAL (206300)	1	Suits FP212G (General Purpose)
	NPS08495-UNIT	FLX ASSY PUMP HEAD ABRAISIVE (206300PA)	1	Suits FP212A (Abrasion Resistant)
	NPS09701-UNIT	FLX ASSY PUMP HEAD CHEMICAL (206300PC)	1	Suits FP212C (Chemical Resistant)
AS-2	NPS08498-UNIT	FLX ASSY PUMP HEAD TOP ALUMINIUM (206390)	1	Suits FP212G & F P212A
	NPS01585-UNIT	FLX ASSY PUMP HEAD TOP CAST IRON (206391)	1	Suits FP212C
AS-3	NPS06255-UNIT	FLX ASSY PUMP BODY ALUMINIUM (206380)	1	Suits FP212G
	NPS08496-UNIT	FLX ASSY PUMP BODY CAST IRON (206381)	1	Suits FP212A & FP212C

Pump Head – Top Assy (All Types)



Note:
 * Seal - Spring faces upwards
 ** Seal - Spring faces downwards

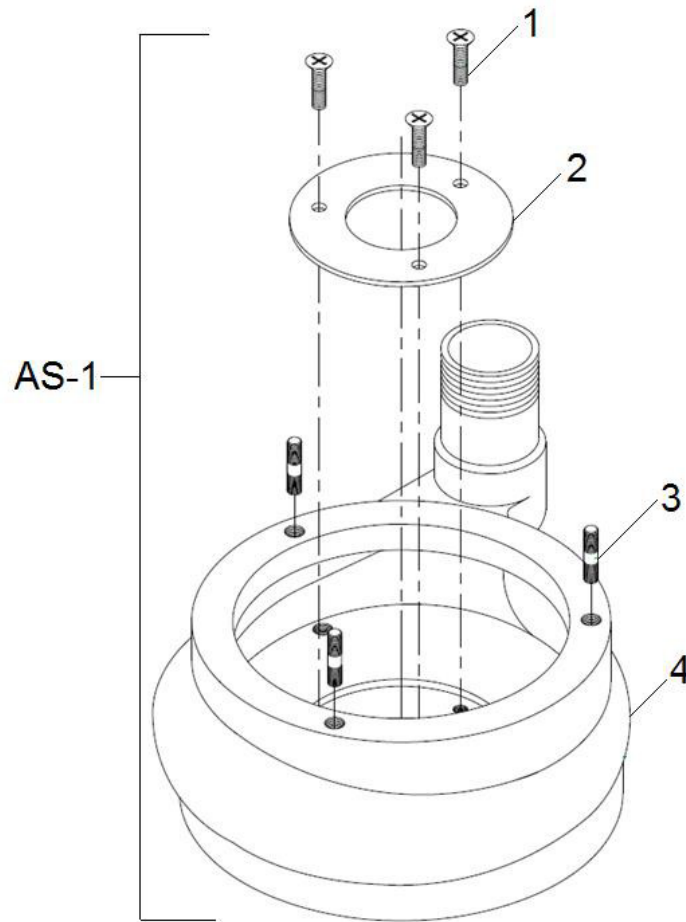
Pump Head – Top Assy (All Types)

Item No.	Product Code	Description	Qty	Remarks
1	See Remarks	FLX O-RING 1.049" x 0.103" (510433)	1	Use SK-1
2	NPS06131-UNIT	FLX HOUSING ADAPTOR (206301)	1	
3	See Remarks	FLX O-RING 1.687" x 0.139" (510434)	1	Use SK-1
4	See Remarks	FLX SEAL 0.75" x 1.25" x 0.25" (530111)	3	Use SK-1
5	See Remarks	FLX CIRCLIP EXTERNAL 20MM (670211)	1	Use SK-1
6	See Remarks	FLX BEARING NSK 6204 (550501)	1	Use SK-1
7	See Remarks	FLX SPACER (206302)	1	Use SK-1
8	See Remarks	FLX BEARING NACHI 5204 (550559)	1	Use SK-1
9	NPS08489-UNIT	FLX SPINDLE (206303)	1	
10	See Remarks	FLX O-RING 0.626" x 0.103" (510435)	1	Use SK-1
11	See Remarks	FLX SLEEVE (206304)	1	Use SK-1
12	See Remarks	FLX HOUSING ALUMINIUM (206305)	1	Use AS-2 (Suits FP212G & FP212A)
	See Remarks	FLX HOUSING CAST IRON (206315)	1	Use AS-2 (Suits P212C)
13	See Remarks	FLX WEAR PLATE (206306)	1	Use AS-2
14	See Remarks	FLX SCREW CSK M6X12 (633509)	3	Use AS-2
15	See Remarks	FLX SEAL 1" x 1.625" x 0.375" (530510)	4	Use SK-1
16	NPS06476-UNIT	FLX IMPELLER CAST IRON (206307)	1	

Assembly / Service Kits - Pumps Head Top Assy (All Types)

Item No.	Product Code	Description	Qty	Remarks
AS-1	NPS08498-UNIT	FLX ASSY PUMP HEAD TOP ALUMINIUM (206390)	1	Suits FP212G & FP212A
	NPS01585-UNIT	FLX ASSY PUMP HEAD TOP CAST IRON (206391)	1	Suits FP212C
AS-2	NPS06128-UNIT	FLX ASSY HOUSING ALUMINIUM (206392)	1	Suits FP212G & FP212A Inc Items: 12 - 14
	NPS02229-UNIT	FLX ASSY HOUSING CAST IRON (206393)	1	Suit: P212C Inc Items: 12 - 14
SK-1	NPS08541-UNIT	FLX SERVICE KIT PUMP HEAD (206946SK)	1	Inc Items: 1, 3 - 8, 10, 11, 15

Pump Head – Body Assy (All Types)

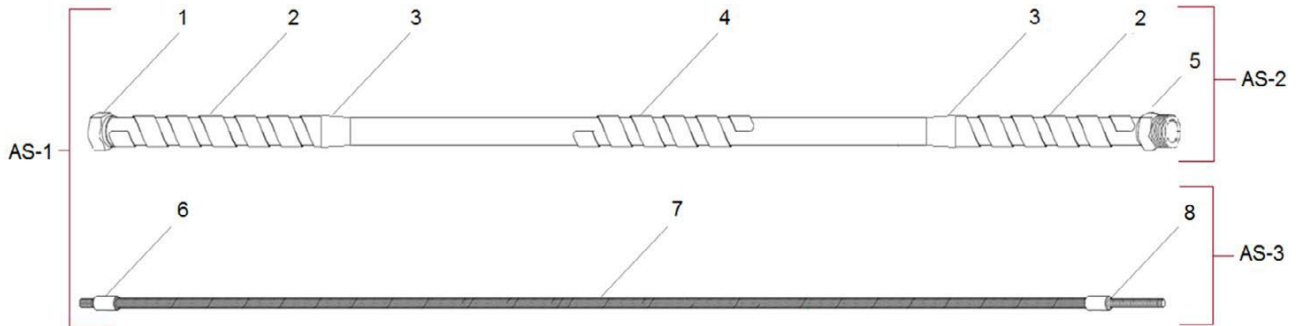


Pump Head – Body Assy (All Types)

Item No.	Product Code	Description	Qty	Remarks
1	See Remarks	FLX SCREW CSK M6X12 (633509)	3	Use AS-1 Not used on Cast Iron Pump Body
2	See Remarks	FLX WEAR PLATE (206309)	1	Use AS-1 Not used on Cast Iron Pump Body
3	NPS06303-UNIT	FLX STUD SS 0.375" BSW x 1.7" (590392)	3	
4	See Remarks	FLX BODY HOUSING ALUMINIUM (206310)	1	Use AS-1 (Suits FP212G)
	See Remarks	FLX BODY HOUSING CAST IRON (206320)	1	Use AS-1 (Suits P212A & P212)

Assembly / Service Kits - Pumps Head Body Assy (All Types)

Item No.	Product Code	Description	Qty	Remarks
AS-1	NPS06255-UNIT	FLX ASSY PUMP BODY ALUMINIUM (206380)	1	Suits all FP212G
	NPS08496-UNIT	FLX ASSY PUMP BODY CAST IRON (206381)	1	Suits all FP212A & FP212C



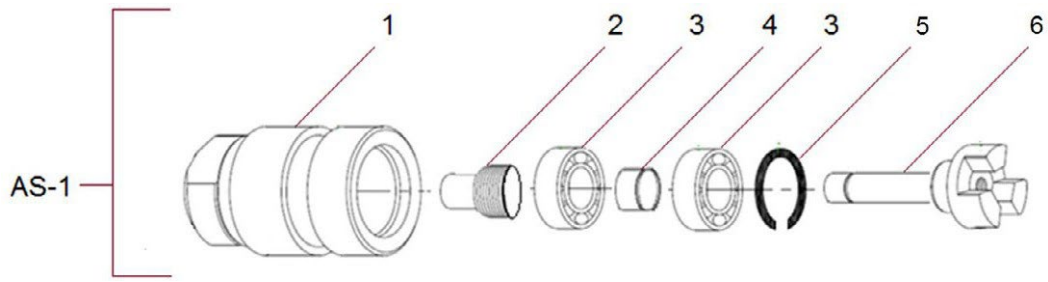
Flexshaft (All Types)

Item No.	Product Code	Description	Qty	Remarks
1	See Remarks	FLX FERRULE PUMP END 32MM (206103)	1	Use AS-1 or AS-2
	See Remarks	FLX FERRULE PUMP END 38MM (206108)	1	Use AS-1 or AS-2
2	See Remarks	FLX END SUPPORT SPRING 32MM (206102)	2	Use AS-1 or AS-2
	See Remarks	FLX END SUPPORT SPRING 38MM (206105)	2	Use AS-1 or AS-2
3	See Remarks	FLX COLLAR 32MM (340303)	2	Use AS-1 or AS-2
	See Remarks	FLX COLLAR 38MM (206112)	2	Use AS-1 or AS-2
4	See Remarks	FLX MIDDLE SUPPORT SPRING 32MM (206111)	1	Use AS-1 or AS-2
	See Remarks	FLX MIDDLE SUPPORT SPRING 38MM (206106)	1	Use AS-1 or AS-2
5	See Remarks	FLX FERRULE COUPLING END 32MM (310315)	1	Use AS-1 or AS-2
	See Remarks	FLX FERRULE COUPLING END 38MM (206104)	1	Use AS-1 or AS-2
6	See Remarks	FLX CORE END SCREW 13MM (206101)	1	Use AS-1 or AS-3
	See Remarks	FLX CORE END SCREW 15MM (206107)	1	Use AS-1 or AS-3
7	See Remarks	FLX INNER CORE 6M X 13MM (810124)	1	Use AS-1 or AS-3
	See Remarks	FLX INNER CORE 9M X 13MM (810155)	1	Use AS-1 or AS-3
	See Remarks	FLX INNER CORE 6M X 15MM (810180)	1	Use AS-1 or AS-3
	See Remarks	FLX INNER CORE 9M X 15MM (810183)	1	Use AS-1 or AS-3
8	See Remarks	FLX CORE END HEX 13MM (049210)	1	Use AS-1 or AS-3
	See Remarks	FLX CORE END HEX 15MM (053270)	1	Use AS-1 or AS-3

Assembly / Service Kits - Flexshaft (All Types)

Item No.	Product Code	Description	Qty	Remarks
AS-1	NPS01590-UNIT	FLX FLEXSHAFT ASSY 6M x 32MM (206946GZ)	1	Suits FP212G 6m long x 32mm casing diameter Inc Items: AS-2 & AS-3
	NPS01593-UNIT	FLX FLEXSHAFT ASSY 9M x 32MM (206949GZ)	1	Suits FP212G 9m long x 32mm casing diameter Inc Items: AS-2 & AS-3
	NPS01592-UNIT	FLX FLEXSHAFT ASSY 6M x 38MM (206946CGZ)	1	Suits FP212A & FP212C 6m long x 38mm casing diameter Inc Items: AS-2 & AS-3
	NPS01594-UNIT	FLX FLEXSHAFT ASSY 9M x 38MM (206949CGZ)	1	Suits FP212A & FP212C 9m long x 38mm casing diameter Inc Items: AS-2 & AS-3
AS-2	NPS01586-UNIT	FLX CASING ASSY 6M x 32MM (206946G)	1	Suits FP212G 6m long x 32mm casing diameter Inc Items: 1 - 5
	NPS01588-UNIT	FLX CASING ASSY 9m x 32MM (206949G)	1	Suits FP212G 9m long x 32mm casing diameter Inc Items: 1 - 5
	NPS01587-UNIT	FLX CASING ASSY 6M x 38MM (206946CG)	1	Suits FP212A & F P212C 6m long x 38mm casing diameter Inc Items: 1 - 5
	NPS01589-UNIT	FLX CASING ASSY 9M x 38MM (206949CG)	1	Suits FP212A & FP212C 9m long x 38mm casing diameter Inc Items: 1 - 5
AS-3	NPS01595-UNIT	FLX INNER CORE ASSY 6M x 13MM (206946Z)	1	Suits FP212G 6m long x 13mm core diameter Inc Items: 6 - 8
	NPS01598-UNIT	FLX INNER CORE ASSY 9M x 13MM (206949Z)	1	Suits FP212G 9m long x 13 mm core diameter Inc Items: 6 - 8
	NPS01596-UNIT	FLX INNER CORE ASSY 6M x 15MM (206946CZ)	1	Suits FP212A & FP212C 6m long x 15mm core diameter Inc Items: 6 - 8
	NPS01600-UNIT	FLX INNER CORE ASSY 9M x 15MM (206949CZ)	1	Suits FP212A & FP212C 9m long x 15mm core diameter Inc Items: 6 - 8

Coupling Assy (All Types)



Coupling (All Types)

Item No.	Product Code	Description	Qty	Remarks
1	See Remarks	FLX BEARING HOUSING (360421)	1	Use AS-1
2	See Remarks	FLX HEX ADAPTOR (046310)	1	Use SK-1
3	See Remarks	FLX BEARING (550102)	2	Use SK-1
4	See Remarks	FLX SPACER (046330)	1	Use SK-1
5	See Remarks	FLX CIRCLIP (670105)	1	Use SK-1
6	See Remarks	FLX SPINDLE 3-TEETH (360422)	1	Use AS-1

Coupling (All Types) Assembly / Service Kits

Item No.	Product Code	Description	Qty	Remarks
AS-1	NPS01575-UNIT	FLX COUPLING ASSY (360420)	1	Inc Items: 1 - 6
SK-1	NPS01576-UNIT	FLX SERVICE KIT COUPLING ASSY (360420SK)	1	Inc Items: 2 - 5



Rope (All Types)

Item No.	Product Code	Description	Qty	Remarks
1	NPS02520-UNIT	FLX ROPE W HOOKS 12MMX8M (FY-206114)	1	



Flextool

1956 Dandenong Road, Clayton VIC 3168, Australia

Phone (AUS): 1300 353 986

flextool.com.au

ABN 80 069 961 968

This manual summarises our best knowledge of the product based on the information available at the time of publication. You should read this manual carefully and consider the information in the context of how the product will be used. Our responsibility for products sold is subject to our standard terms and conditions of sale.

DISCLAIMER:

Any advice, recommendation, information, assistance or service provided by us in this manual is given in good faith and is believed by us to be appropriate and reliable. However, any advice, recommendation, information, assistance or service provided by us is provided without liability or responsibility PROVIDED THAT the foregoing shall not exclude, limit, restrict or modify the right entitlements and remedies conferred upon any person or the liabilities imposed upon us by any condition or warranty implied by Commonwealth, State or Territory Act or ordinance void or prohibiting such exclusion limitation or modification. The product can be expected to perform as indicated in this manual so long as operation and operational procedures of the individual products are followed as recommended in this manual.

Design and technical specifications may be subject to changes.

© This publication is copyright. All rights are reserved. Flextool is a registered trade mark of Parchem Construction Supplies Pty Ltd.