
SERVICE SHEET

MASONRY / BRICK SAW - ELECTRIC - F09503.



WARNING

To reduce the risk of injury, all operators and maintenance personnel must read and understand these instructions before operating, changing accessories, or performing maintenance on this power equipment. All possible situations cannot be covered in these instructions. Care must be exercised by everyone using, maintaining or working near this equipment.



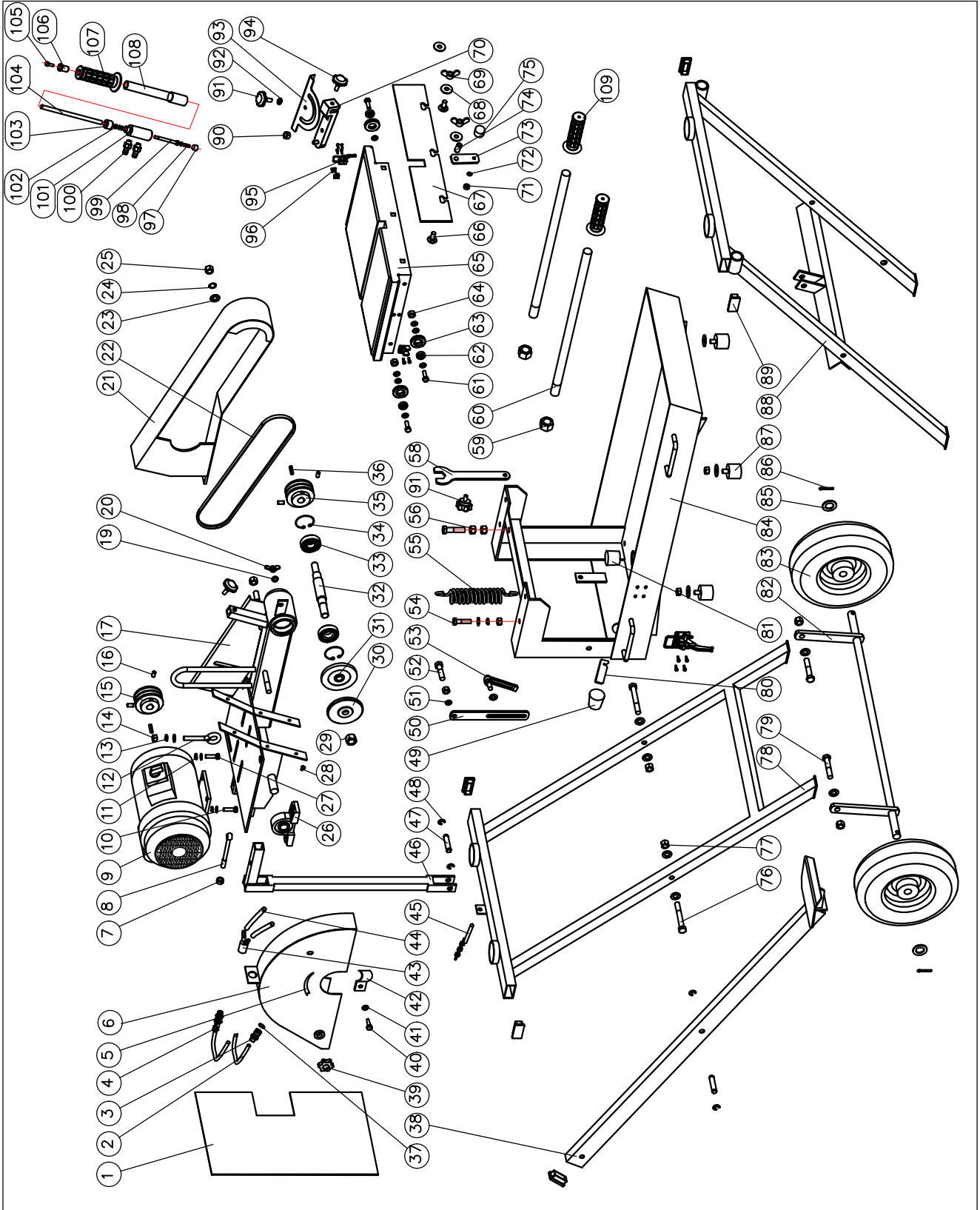
Flextool

SERVICE SHEET

ISSUE: 19.07.2012.

MASONRY / BRICK SAW - ELECTRIC -

PART NO.
F09503.



EXPLODED VIEW - DIAGRAM



SERVICE SHEET.

ISSUE 19.07.2012.

**MASONRY SAW-(ELECTRIC).
PARTS LIST****PART NO.
F09503**

ITEM NO.	PART NO.	DESCRIPTION	QUANTITY
1	BS-101116	Water Curtain	1
2	BS-100222	Flexible Conduit L=450 1.2m	1.2mt.
3	BS-101117	Quick Connector Fitting	1
4	BS-100399	Water Valve	1
5	BS-101118	Arrow label	1
6	BS-101209	Blade Cover	1
7	BS-101120	Lock nut M10	2
8	BS-101121	Slipknot Bolts	2
9	BS-101122	Electric motor	2
10	BS-101123	Hex bolt M8 x 30mm.	2
10	BS-101124	Washer m8	4
11	BS-101125	Spring Washers m8	4
12	BS-101126	Hook	1
13	BS-101127	Spring Washers	1
14	BS-101128	Hex nuts M10	1
15	BS-101129	Motor Pulley - Double Vee	1
16	BS-101130	Grub Screw	4
17	BS-101210	Drive Mounting Frame Assembly.	1
19	BS-101124	Washer m8	1
20	BS-101133	Wing nut M8	1
21	BS-101134	Belt Cover	1
22	BS-101135	V belt	2
23	BS-101136	washer 12mm.	1
24	BS-101137	spring washers 12mm.	1
25	BS-101138	Hex nuts M12	2
26	BS-101139	Pillow Block / Bearing	2
27	BS-101140	Hex bolt M8 x 40mm.	2
28	BS-101141	Plastic Button - Retainer	6
29	BS-101142	Lefthand Threaded nut	1
30	BS-101143	Outside Pressure Flange	1
31	BS-101144	Inside Pressure Flange	1
32	BS-101145	Main Shaft	1
33	BS-101146	Bearing 6304-2RS	2
34	BS-101147	Cir-Clip	2
35	BS-101148	Spindle Pulley - Double Vee.	1
36	BS-101149	Key 5 x 32mm.	2
37	BS-101150	O-Ring	1
38	BS-101151	Pedal - Frame	1
39	BS-101152	Knob	1
40	BS-101153	Hexagon head tapping screws	2
41	BS-101154	Washer 5mm	2
42	BS-100386	Saddle Clamp	2
43	BS-100384	Y-Fitting	1
44	BS-100385	PVC flexible conduitφ6X2(0.4m)	2
45	BS-101116	Connecting pin	1



SERVICE SHEET. ISSUE 19.07.2012.

MASONRY SAW-(ELECTRIC).
PARTS LIST

PART NO.
F09503

ITEM NO.	PART NO.	DESCRIPTION	QUANTITY
46	BS-101155	Pivot Bar - Assembly	1
47	BS-101156	Pivot Pin	2
48	BS-101157	Cir-Clip	4
49	BS-101158	Rubber Stopper	1
50	BS-101159	Pivot locking bar	1
51	BS-101160	Flat Washer 10	2
52	BS-101161	Hex bolt M10 x 30mm.	1
	BS-101162	Locknut M10	1
53	BS-101163	Tighten Handle	2
54	BS-101164	Hex bolt M10 x 40mm.	4
	BS-101160	Washer 10mm.	4
	BS-101165	Spring Washer 10mm.	4
	BS-101166	Hex Nuts M10	4
55	BS-101167	Tension - Spring	1
56	BS-101168	Hex Bolt M12 x 50mm.	1
	BS-101169	Hex Nuts M12	2
58	BS-101171	Wrench	1
59	BS-101172	Locknut M22	2
60	BS-101173	Slide Handle	2
61	BS-101174	Hex bolt M8 x 25mm	2
	BS-101124	Flat Washer 8mm.	4
62	BS-101175	Bearing	4
63	BS-101176	Track Roller	4
64	BS-101177	Locknut M8	4
65	BS-101211	Sliding Table	1
66	BS-101179	Cup head square neck bolts	1
67	BS-101180	Positioning Board	1
68	BS-101181	Flat Washer 10mm.	3
	BS-101182	Cup head square neck Bolts	2
69	BS-101183	Butterfly nut M10	3
70	BS-100563	Mitre Base	1
71	BS-101184	Nut M6	1
72	BS-101185	Spring Washer 10mm.	1
73	BS-101186	Travel Cart Stop Tag	1
74	BS-101187	Hex set	1
75	BS-100478	Rubber Hat	1
76	BS-101188	Hex Bolt M12 x 90mm.	2
	BS-101189	Flat Washer 12mm.	4
77	BS-101190	Locknut M12	2
78	BS-101191	Right Leg - Frame	1
79	BS-101192	Hex Bolt M12 x 65mm	2
	BS-101189	washer 12mm.	2
	BS-101193	Locknut M12	2
80	BS-101194	Hook Plate	1
81	BS-101195	Rubber Plug 10	1
82	BS-101196	Wheel Axle - Assembly	1



SERVICE SHEET.

ISSUE 19.07.2012.

**MASONRY SAW-(ELECTRIC).
PARTS LIST****PART NO.
F09503**

ITEM NO.	PART NO.	DESCRIPTION	QUANTITY
83	BS-101197	Wheel	2
84	BS-101212	Main Frame - Assembly	1
85	BS-101199	Flat Washer 20mm.	4
86	BS-101200	Split Pin	2
87	BS-101201	Rubber Mount	4
	BS-101202	Washer 10mm.	4
	BS-101203	Hex Nuts M10	4
88	BS-101204	Left Leg Frame - Assembly	1
89	BS-101205	Rectangular Plastic Cap.	5
90	BS-101206	Hex Nuts M8	1
91	BS-100562	Stellate Knob	3
92	BS-101207	Flat Washer	1
93	BS-100561	Angle Gage	1
94	BS-100296	Stellate knob	1
95	BS-101213	Latch type clamps	2
96	BS-101214	Hexagon socket head cap screws	12
97	BS-101216	Water Pin - Thread Nut	1
98	BS-101217	Compression Spring	1
99	BS-101218	Valve Plug	1
100	BS-1012191	Barbed Water - Fitting	2
101	BS-101220	Valve Body	1
102	BS-101221	O-rings	2
	BS-101222	Check Ring	3
103	BS-101223	Nut	1
104	BS-101224	Push Rod	1
105	BS-101225	Slotted round Head Screw	1
106	BS-101226	Button	1
107	BS-101227	Grip	1
108	BS-101228	Handlebar	1
109	BS-101132	Grip	2