



SERVICE SHEETS

36" WALK BEHIND TROWEL

Model FP436



(DOCUMENT VERSION NO.28012010)

WARNING

To reduce the risk of injury, all operators and maintenance personnel must read and understand these instructions before operating, changing accessories, or performing maintenance on this power equipment. All possible situations cannot be covered in these instructions. Care must be exercised by everyone using, maintaining or working near this equipment.



Flextool

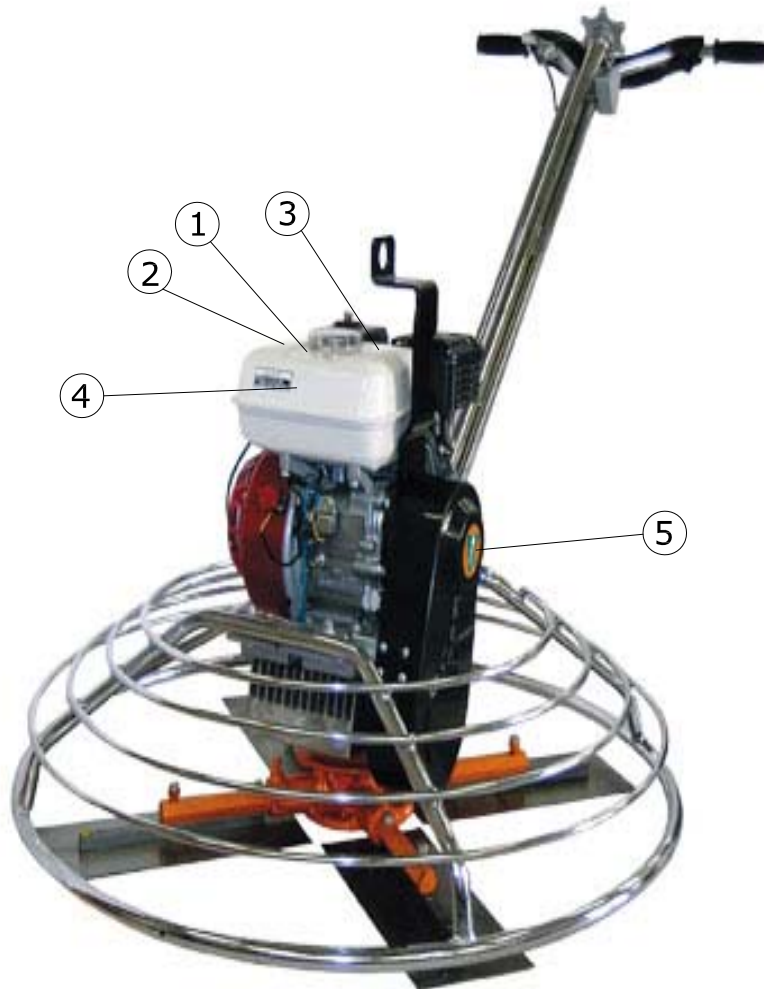
SERVICE SHEET F03417 ISSUE 170709

WALK BEHIND POWER TROWEL

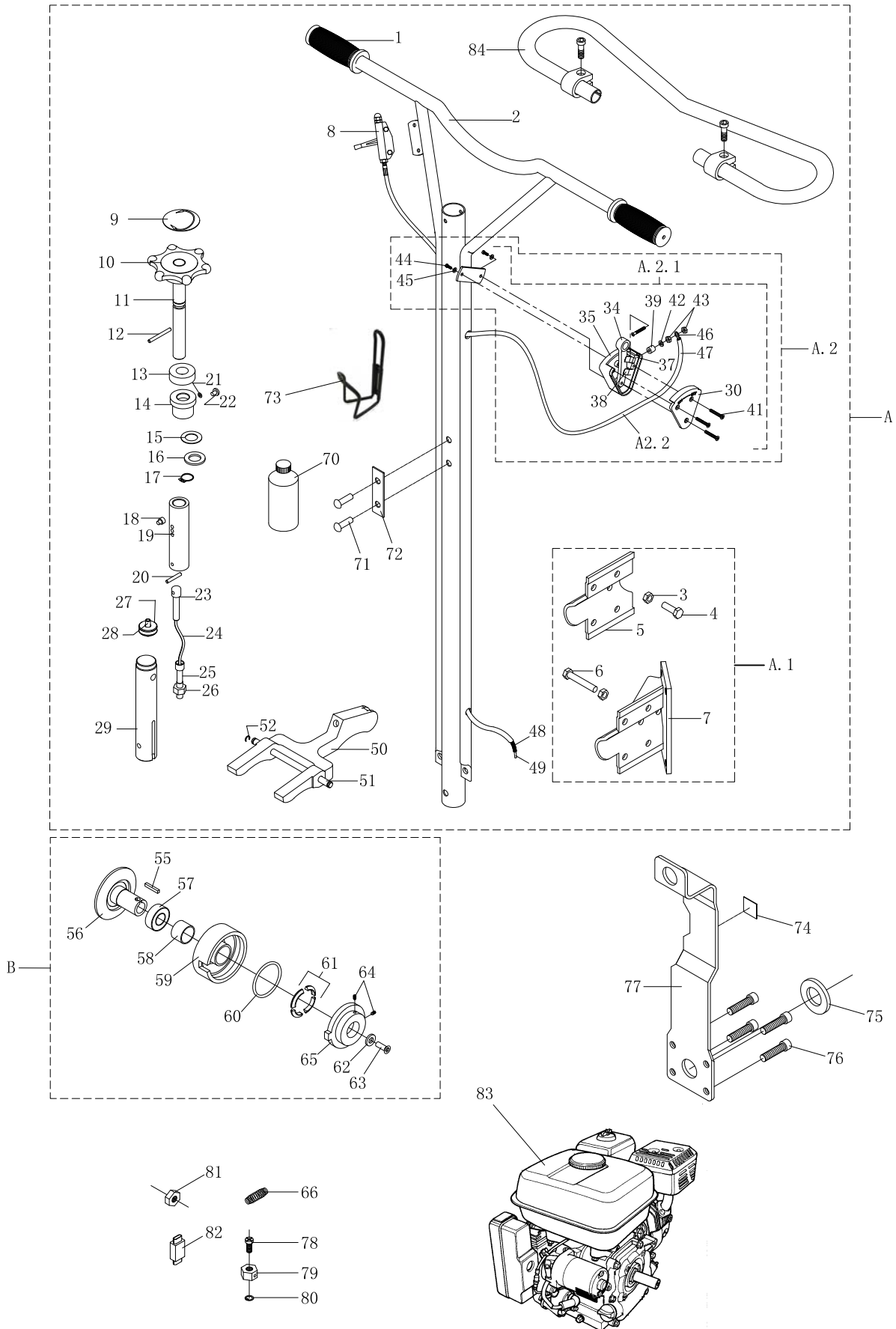
MODEL FP436

PART NO.

F03436



ITEM NO.	PART NO.	DESCRIPTION	QUANTITY	NOTES
1	F01433	LABEL, USE UNLEADED PETROL ONLY	1	
2	F03455	DECAL, SAFETY, PETROL MOTOR	1	
3	F03456	DECAL, SAFETY, POWER TROWEL	1	
4	F03451	DECAL, FLEXTOOL, 139MM X 38MM	1	
5	F03454	DECAL, FLEXTOOL, DIA.75MM	1	





Flextool

SERVICE SHEET F03417 ISSUE 230709

WALK BEHIND TROWEL FP436 PARTS LIST

**PART NO.
F03436**

ITEM NO.	PART NO.	DESCRIPTION	QUANTITY
A	FTP4365000	HANDLE ASSY (INCL. A1 & A2 BELOW)	1
1	FTP9035	HAND GRIP	2
2	FTP4365100	HANDLE WELDING PART	1
A.1	FTP4365300	HANDLE SUPPORT PLATE ASSY	1
3	FTP9016	NUT	1
4	FTP9018	SCREW	1
5	FTP4365301	UPPER JOINT PLATE	1
6	FTP9017	SCREW	4
7	FTP4365302	LOWER JOINT PLATE	1
8	HP-STL-CAB-2380	THROTTLE LEVER & CABLE, 2380MM	1
9	FTP10050303	DECAL	1
10	FTP4365501	HANDLE WHEEL	1
11	FTP4365503	ADJUST SHAFT	1
12	FTP9024	PIN	1
13	FTP9025	BEARING	1
14	FTP4365502	BEARING	1
15	FTP9033	WASHER	1
16	FTP4365504	WASHER	1
17	FTP9027	CIRCLIP	1
18	FTP9028	BOLT	1
19	FTP4365505	ADJUST SHAFT BUSHING	1
20	FTP9030	PIN	1
21	FTP9022	WASHER	1
22	FTP9026	SCREW	1
23	FTP4365506	N/A	N/A
24	FTP9029	N/A	N/A
25	FTP4365507	N/A	N/A
26	FTP9016	NUT	1
27	FTP4365508	THROTTLE WIRE WHEEL	1
28	FTP9031	PIN	1
29	FTP4365511	WHEEL BUSHING	1
A.2	FTP4365200A	SAFETY STOP SWITCH & CABLE ASSY	1
A.2.1	FTP4365200	SAFETY STOP SWITCH ASSY	1
30	FTP4365201	SWITCH COVER	1
31	n/a	n/a	n/a
32	n/a	n/a	n/a
33	n/a	n/a	n/a
34	FTP4365202	SWITCH LEVER	1
35	FTP4365203	SWITCH HOUSING	1
36	n/a	n/a	n/a



Flextool

SERVICE SHEET F03417 ISSUE 230709

WALK BEHIND TROWEL FP436 PARTS LIST

**PART NO.
F03436**

ITEM NO.	PART NO.	DESCRIPTION	QUANTITY
37	FTP4365206	CONTACT HOLDER	1
38	FTP4365205	CONTACT	1
39	FTP4365207	SPACER, RUBBER, SWITCH CABLE	1
40	FTP9002	SCREW, SWITCH CABLE	1
41	FTP1112	SCREW	3
42	FTP9003	PLAIN WASHER, SWITCH CABLE	1
43	FTP9004	HEX NUT, SWITCH CABLE	1
44	n/a	SCREW	2
45	n/a	PLAIN WASHER	2
A.2.2	FTP4365208	SAFETY SWITCH CABLE ASSY	1
46	FTP9007	CABLE TERMINAL	1
47	FTP9008	CABLE CASING	1
48	FTP9009	CABLE	1
49	FTP9012	CABLE TERMINAL	1
50	FTP4365510	YOKE ARM	1
51	FTP4365509	YOKE ARM SHAFT	1
52	FTP9034	RETAINING RING	1
53	N/A	N/A	N/A
54	N/A	N/A	N/A
B	FTP4363000	CLUTCH ASSY	1
55	FTP9076	KEY	1
56	FTP4363001	SPINDLE	1
57	FTP9075	BEARING	1
58	FTP4363006	BUSHING	1
59	FTP4363002	DRUM	1
60	FTP9077	SPRING	1
61	FTP4363004	WEIGHT	1
62	F08839	RETAINER, CLUTCH	1
63	F06721	S.CAP SCREW, 0.312"UNF X 1"	1
64	FTP9078	SCREW	2
65	FTP4363003	FACE PLATE	1
66	F09987	SPRING, COMPRESSION, THROTTLE	1
67	N/A	N/A	N/A
68	N/A	N/A	N/A
69	N/A	N/A	N/A
70	F03531	WATER BOTTLE, POWER TROWELS	1
71	F03538	BLIND RIVET, ALUMINIUM, 4.8MM X 14.3	2
72	F03537	PLATE, WATER BOTTLE, TROWELS	1
73	F03530	HOLDER, WATER BOTTLE, TROWELS	1



Flextool

SERVICE SHEET F03417 ISSUE 230709

WALK BEHIND TROWEL FP436 PARTS LIST

**PART NO.
F03436**

ITEM NO.	PART NO.	DESCRIPTION	QUANTITY
74	F03438	SERIAL NUMBER PLATE, FP436	1
75	F01961	SPACER, DIAM. BLADE 20MM X 25.4 X 6	1
76	F06350	SCREW, S.CSK 0.312"UNF X 0.75"	4
77	F02891	LIFTING HOOK	1
78	F01358	SCREW, PAN HEAD M4 X 0.8	1
79	H16594-883-010	HOLDER, WIRE	1
80	F01357	CIRCLIP, EXT. 5MM, "E" TYPE	1
81	F09216	NUT, M5 X 0.8	1
82	F03150	CONNECTOR, SCOT. CABLE CRIMP	1
83	F01628	MOTOR, HONDA GX160K1 QX, 4.1KW	1

COMPATIBLE ACCESSORIES:

84	F03552	D-HANDLE, POWER TROWEL FP436&440	1
----	--------	----------------------------------	---

SERVICE KITS:

	FTP9035-KT	SERVICE KIT, HAND GRIP	1
1	FTP9035	HAND GRIP	2
A.2	FTP4365200A	SAFETY STOP SWITCH & CABLE ASSY	1
A.2.1	FTP4365200	SAFETY STOP SWITCH ASSY	1
A.2.2	FTP4365208	SAFETY SWITCH CABLE ASSY	1



Flextool

SERVICE SHEET F03417 ISSUE 230709

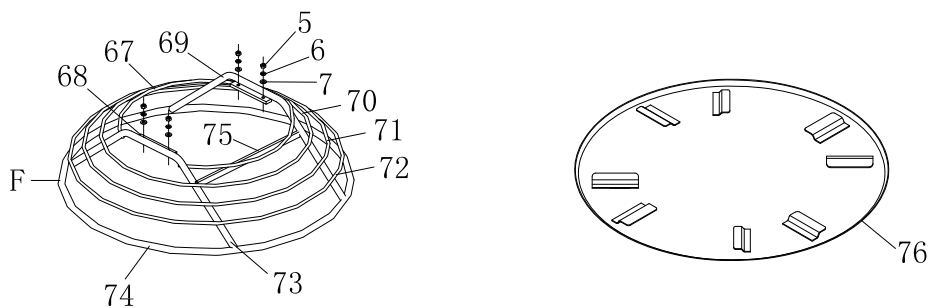
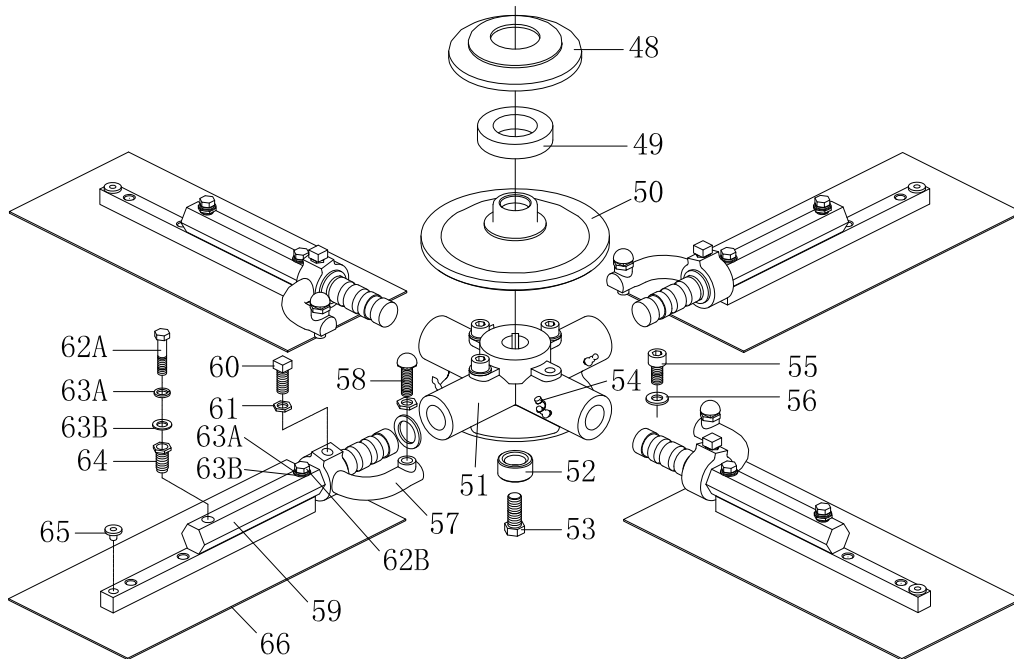
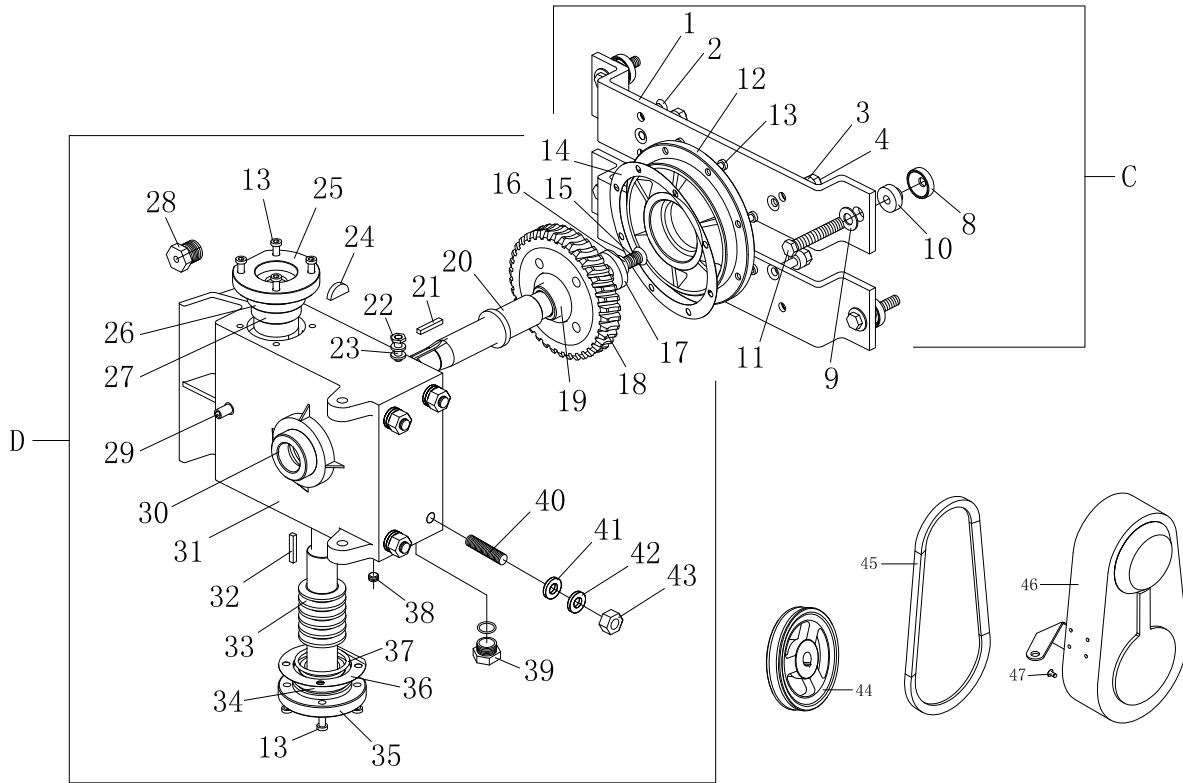
WALK BEHIND TROWEL FP436 PARTS LIST

PART NO.
F03436

ITEM NO.	PART NO.	DESCRIPTION	QUANTITY
----------	----------	-------------	----------

SPARE PARTS:

1	FTP9035	HAND GRIP
8	HP-STL-CAB-2380	THROTTLE LEVER & CABLE, 2380MM
9	FTP10050303	DECAL
13	FTP9025	BEARING
14	FTP4365502	BEARING
55	FTP9076	KEY
56	FTP4363001	SPINDLE
57	FTP9075	BEARING
58	FTP4363006	BUSHING
59	FTP4363002	DRUM
60	FTP9077	SPRING
61	FTP4363004	WEIGHT
62	F08839	RETAINER, CLUTCH
63	F06721	S.CAP SCREW, 0.312"UNF X 1"
64	FTP9078	SCREW
65	FTP4363003	FACE PLATE
66	F09987	SPRING, COMPRESSION, THROTTLE
70	F03531	WATER BOTTLE, POWER TROWELS
71	F03538	BLIND RIVET, ALUMINIUM, 4.8MM X 14.3
72	F03537	PLATE, WATER BOTTLE, TROWELS
73	F03530	HOLDER, WATER BOTTLE, TROWELS
74	F03438	SERIAL NUMBER PLATE, FP436
75	F01961	SPACER, DIAM. BLADE 20MM X 25.4 X 6
76	F06350	SCREW, S.CSK 0.312"UNF X 0.75"
77	F02891	LIFTING HOOK
78	F01358	SCREW, PAN HEAD M4 X 0.8
79	H16594-883-010	HOLDER, WIRE
80	F01357	CIRCLIP, EXT. 5MM, "E" TYPE
81	F09216	NUT, M5 X 0.8
82	F03150	CONNECTOR, SCOT. CABLE CRIMP
83	F01628	MOTOR, HONDA GX160K1 QX, 4.1KW





Flextool

SERVICE SHEET F03417 ISSUE 280110

WALK BEHIND TROWEL FP436 PARTS LIST

**PART NO.
F03436**

ITEM NO.	PART NO.	DESCRIPTION	QUANTITY
C	FTP4364001-SM	MOUNTING PLATE ASSY	1
1	FTP4364001	MOUNTING PLATE	2
2	FTP9042	SCREW	6
3	FTP4364004	WASHER	4
4	FTP9041	BOLT	4
5	FTP9036	HEX NUT	4
6	FTP9037	SPRING WASHER	4
7	FTP9038	PLAIN WASHER	4
8	FTP4364002	STEEL BOWL	4
9	FTP9039	PLAIN WASHER	4
10	FTP4364009	RUBBER WASHER	4
11	FTP9040	HEX BOLT	4
D	FTP4364000	GEARBOX ASSY	1
12	FTP4364005	GEARBOX COVER	1
13	FTP9043	SCREW	16
14	FTP4364008	PLASTIC SHIMMING	1
15	FTP4364007	FLAT HEAD SCREW, MAIN SHAFT	1
16	FTP4364006	WASHER	1
17	FTP9049	BEARING	1
18	FTP4364010	BRONZE GEAR	1
19	FTP9048	BEARING	1
20	FTP4364011	MAIN SHAFT	1
21	FTP9051	KEY	1
22	FTP9059	NUT	1
23	FTP9060	BOLT	1
24	FTP9052	KEY	1
25	FTP4364012	LEFT BEARING FLANGE	1
26	FTP9055	SEAL	1
27	FTP9057	BEARING	1
28	FTP4364100	RELEASE VALVE	1
29	FTP9062	SCREW	2
30	FTP9050	SEAL	1
31	FTP4364003	GEARBOX CASING	1
32	FTP9054	KEY	1
33	FTP4364013	COUNTER SHAFT	1
34	FTP9063	BEARING	1
35	FTP4364014	RIGHT BEARING FLANGE	1
36	FTP4364015	PLASTIC SHIMMING	2
37	FTP9056	SEAL	1
38	FTP9053	PLUG	1
39	FTP9064	SIGHT GLASS	1
40	FTP9044	BOLT	4
41	FTP9047	WASHER	5
42	FTP9046	WASHER	5



SERVICE SHEET F03417 ISSUE 280110

WALK BEHIND TROWEL FP436 PARTS LIST

PART NO.
F03436

ITEM NO.	PART NO.	DESCRIPTION	QUANTITY
43	FTP9045	NUT	5
44	FTP4362001	PULLEY	1
45	FTP9061	V-BELT	1
46	FTP4362100	BELT GUARD ASSY	1
47	FTP9058	LOCK PIN	8
48	FTP4366002A	PRESSURE PLATE COVER	1
49	FTP9070A	BEARING	1
50	FTP4366003A	PRESSURE PLATE	1
E	FTP4366000A	SPIDER PLATE ASSY	1
51	FTP4366005	SPIDER PLATE	1
52	FTP4366004	BUSHING	1
53	FTP9068	BOLT	1
54	FTP9069	NIPPLE CAP	4
55	FTP9066	SCREW	4
56	FTP9046	WASHER	4
57	FTP4366006	ANGLE ARM	4
58	FTP9067	SCREW	4
59	FTP4366001	TROWEL ARM	4
60	FTP9065	SCREW	4
61	FTP9059	NUT	8
62A	FTP9131	HEX BOLT, 5/16"-18UNC X 2"	4
62B	FTP9071	HEX BOLT, 5/16"-18UNC X 1.5"	4
63A	FTP9037	SPRING WASHER	8
63B	FTP9038	PLAIN WASHER	8
64	FTP4366007	SCREW ADJUSTER	4
65	FTP4366911	PLUG, PLASTIC	4
66*	SEE BELOW	BLADE	4
F	FTP4367000	GUARD RING ASSY	1
67	FTP4367009	TOP RING	1
68	FTP4367005	SUPPORTING PLATE	2
69	FTP4367002	MAIN FRAME 1	1
70	FTP4367008	MIDDLE RING 1	1
71	FTP4367007	MIDDLE RING 2	1
72	FTP4367006	MIDDLE RING 3	1
73	FTP4367003	MAIN FRAME 2	1
74	FTP4367001	BOTTOM RING	1
75	FTP4367004	CROSS BAR	1
76*	SEE BELOW	FLOAT PAN	1



Flextool

SERVICE SHEET F03417 ISSUE 280110

WALK BEHIND TROWEL FP436 PARTS LIST

**PART NO.
F03436**

ITEM NO.	PART NO.	DESCRIPTION	QUANTITY
----------	----------	-------------	----------

COMPATIBLE ACCESSORIES:

BLADES

66	BR-20479	COMBINATION BLADE, 8" X 14"	4
	BR-20479P	PLASTIC COMBO BLADE, 8" X 14"	4
	BR-20415	FLOATING BLADE, 10" X 14"	4
	BR-20414	FINISHING BLADE, 6" X 14"	4

FLOAT PANS

76	BR-11691	FLOAT PAN, 36.5", 17.6KG	1
	BR-11691F	FLOAT PAN, FLAT, 36.5", 17.6KG	1

SERVICE KITS:

FTP436-440-BLT		SERVICE KIT, BLADE BOLTS & WASHERS	1
62A	FTP9131	HEX BOLT, 5/16"-18UNC X 2"	4
62B	FTP9071	HEX BOLT, 5/16"-18UNC X 1.5"	4
63A	FTP9037	SPRING WASHER	8
63B	FTP9038	PLAIN WASHER	8
FTP4364000-KT		SERVICE KIT, GEARBOX ASSY	
14	FTP4364008	PLASTIC SHIMMING	1
17	FTP9049	BEARING	1
19	FTP9048	BEARING	1
26	FTP9055	SEAL	1
27	FTP9057	BEARING	1
30	FTP9050	SEAL	1
34	FTP9063	BEARING	1
36	FTP4364015	PLASTIC SHIMMING	2
37	FTP9056	SEAL	1
FTP4366000A-KT		SERVICE KIT, SPIDER PLATE ASSY	1
52	FTP4366004	BUSHING	1
53	FTP9068	BOLT	1
54	FTP9069	NIPPLE CAP	4
58	FTP9067	SCREW	4
60	FTP9065	SCREW	4
61	FTP9059	NUT	8
62A	FTP9131	HEX BOLT, 5/16"-18UNC X 2"	4
62B	FTP9071	HEX BOLT, 5/16"-18UNC X 1.5"	4
63A	FTP9037	SPRING WASHER	8
63B	FTP9038	PLAIN WASHER	8
64	FTP4366007	SCREW ADJUSTER	4



Flextool

SERVICE SHEET F03417 ISSUE 280110

WALK BEHIND TROWEL FP436 PARTS LIST

**PART NO.
F03436**

ITEM NO.	PART NO.	DESCRIPTION	QUANTITY
----------	----------	-------------	----------

SPARE PARTS:

1	FTP4364001	MOUNTING PLATE
2	FTP9042	SCREW
3	FTP4364004	WASHER
4	FTP9041	BOLT
5	FTP9036	HEX NUT
6	FTP9037	SPRING WASHER
7	FTP9038	PLAIN WASHER
8	FTP4364002	STEEL BOWL
9	FTP9039	PLAIN WASHER
10	FTP4364009	RUBBER WASHER
11	FTP9040	HEX BOLT
12	FTP4364005	GEARBOX COVER
13	FTP9043	SCREW
14	FTP4364008	PLASTIC SHIMMING
15	FTP4364007	FLAT HEAD SCREW, MAIN SHAFT
16	FTP4364006	WASHER
17	FTP9049	BEARING
18	FTP4364010	BRONZE GEAR
19	FTP9048	BEARING
20	FTP4364011	MAIN SHAFT
21	FTP9051	KEY
22	FTP9059	NUT
23	FTP9060	BOLT
24	FTP9052	KEY
25	FTP4364012	LEFT BEARING FLANGE
26	FTP9055	SEAL
27	FTP9057	BEARING
28	FTP4364100	RELEASE VALVE
29	FTP9062	SCREW
30	FTP9050	SEAL
31	FTP4364003	GEARBOX CASING
32	FTP9054	KEY
33	FTP4364013	COUNTER SHAFT
34	FTP9063	BEARING
35	FTP4364014	RIGHT BEARING FLANGE
36	FTP4364015	PLASTIC SHIMMING
37	FTP9056	SEAL
38	FTP9053	PLUG
39	FTP9064	SIGHT GLASS
40	FTP9044	BOLT
41	FTP9047	WASHER
42	FTP9046	WASHER



SERVICE SHEET F03417 ISSUE 280110

**WALK BEHIND TROWEL
FP436 PARTS LIST**

**PART NO.
F03436**

ITEM NO.	PART NO.	DESCRIPTION	QUANTITY
43	FTP9045	NUT	
44	FTP4362001	PULLEY	
45	FTP9061	V-BELT	
46	FTP4362100	BELT GUARD ASSY	
47	FTP9058	LOCK PIN	
48	FTP4366002A	PRESSURE PLATE COVER	
49	FTP9070A	BEARING	
50	FTP4366003A	PRESSURE PLATE	
51	FTP4366005	SPIDER PLATE	
52	FTP4366004	BUSHING	
53	FTP9068	BOLT	
54	FTP9069	NIPPLE CAP	
55	FTP9066	SCREW	
56	FTP9046	WASHER	
57	FTP4366006	ANGLE ARM	
58	FTP9067	SCREW	
59	FTP4366001	TROWEL ARM	
60	FTP9065	SCREW	
61	FTP9059	NUT	
62A	FTP9131	HEX BOLT, 5/16"-18UNC X 2"	
62B	FTP9071	HEX BOLT, 5/16"-18UNC X 1.5"	
63A	FTP9037	SPRING WASHER	
63B	FTP9038	PLAIN WASHER	
64	FTP4366007	SCREW ADJUSTER	
65	FTP4366911	PLUG, PLASTIC	
F	FTP4367000	GUARD RING ASSY	
66*	BR-20479	COMBINATION BLADE, 8" X 14"	
	BR-20479P	PLASTIC COMBO BLADE, 8" X 14"	
	BR-20415	FLOATING BLADE, 10" X 14"	
	BR-20414	FINISHING BLADE, 6" X 14"	
76*	BR-11691	FLOAT PAN, 36.5", 17.6KG	
	BR-11691F	FLOAT PAN, FLAT, 36.5", 17.6KG	



For more information on our product range, visit one of our branches or log onto www.parchem.com.au.

New South Wales

Penrith

4/31 Jack Williams Dve
Tel: 02 4722 9259

Narellan

Unit 1, 7-9 Gallipoli St
Tel: 02 4647 0623

Padstow

119 Fairford Rd
Tel: 02 9771 6626

Riverstone

14 Edward St
Tel: 02 9627 9133

Coffs Harbour

1/5 Industrial Dve
Tel: 02 6652 3599

Thornton

45 Glenwood Dve
Tel: 02 4964 4277

Tuggerah*

4 Ace Cres
Tel: 02 4352 2287

Moorebank*

52 Heathcote Rd
Tel: 02 9601 1422

South Australia

Hindmarsh*

29/31 Manton St
Tel: 08 8241 6000

Victoria

Brunswick

400 Victoria St
Tel: 03 9326 8300

Berwick

3/21-23 Enterprise Ave
Tel: 03 9796 1027

Campbellfield

24 Foden Ave
Tel: 03 9308 6133

Queensland

Brendale

33 Kremzow Rd
Tel: 07 3889 7600

Nerang

12 Hilldon Crt
Tel: 07 5527 2227

Springwood

1/58 Parramatta Rd
Tel: 07 3808 8133

Garbut

336 Bayswater Rd
Tel: 07 4729 5911

Western Australia

Belmont

45 Belmont Ave
Tel: 08 6279 9799

* Parchem Construction Supplies Trade Stores which stock a comprehensive range of Parchem products.