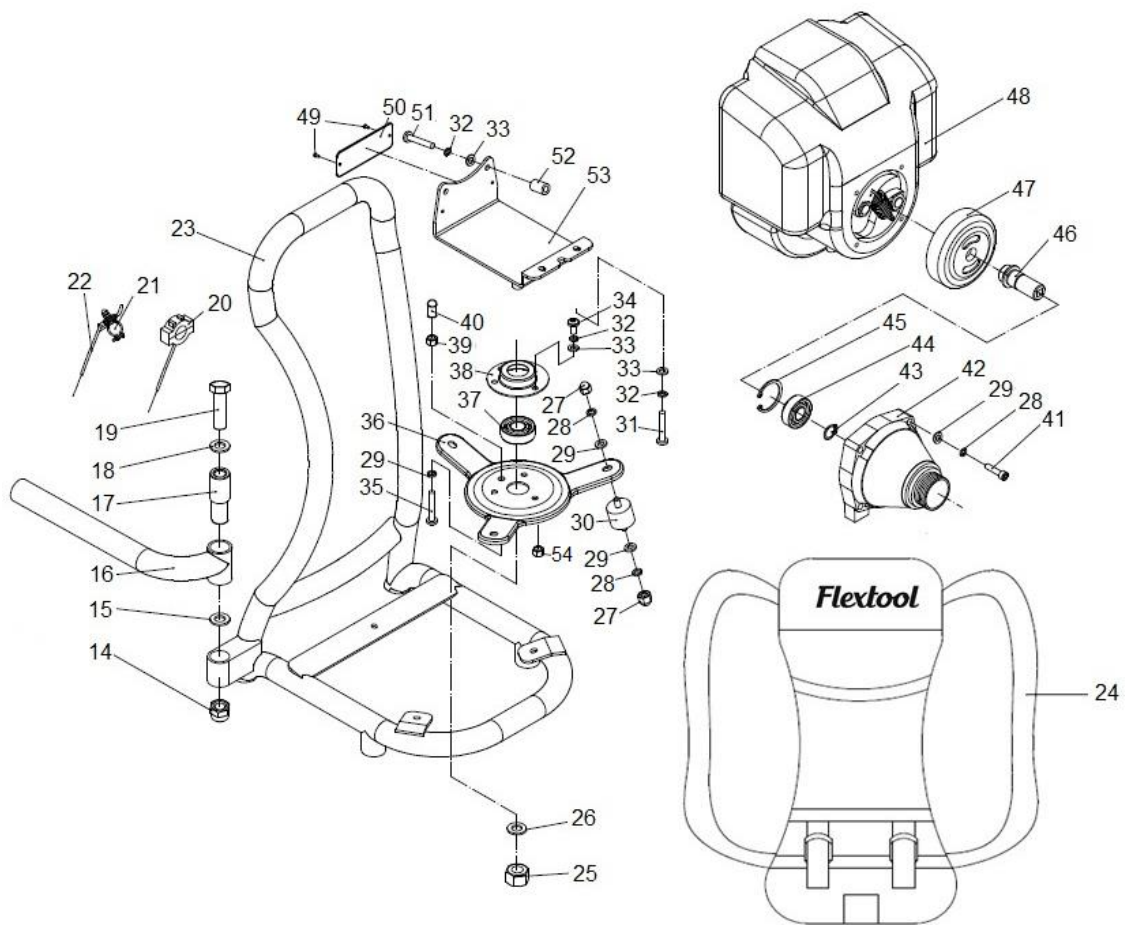




# SPARE PARTS MANUAL

PORTAVIBE® BACKPACK  
(Backpack, Flexshafts & Vibrator Heads)

200428



Applies to product after Serial Number F01-10000

1300 353 986

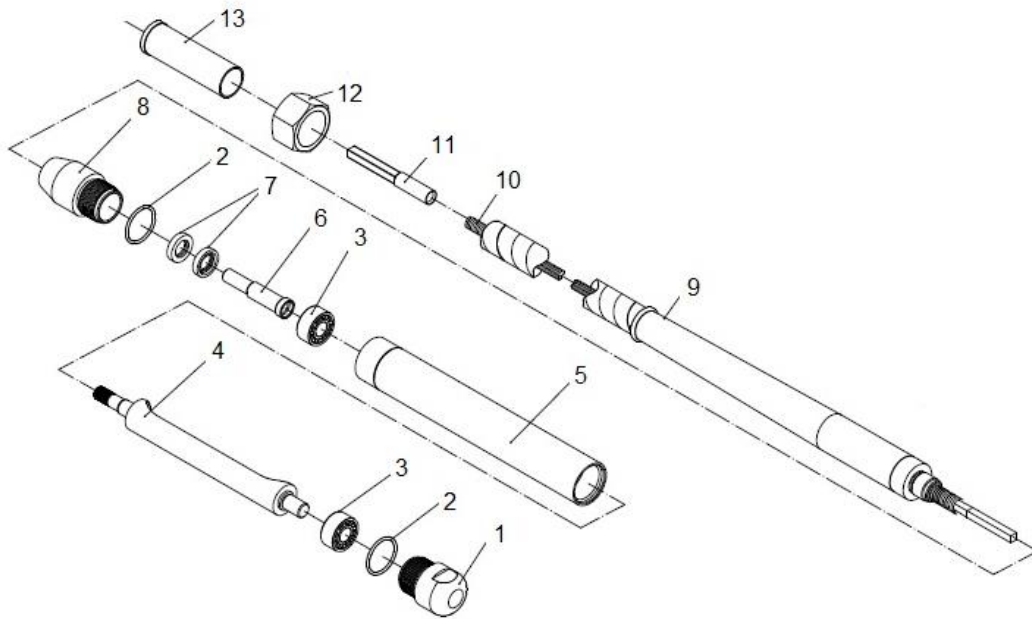
[www.flextool.com.au](http://www.flextool.com.au)



**Flextool**®

SINCE 1951

Parchem Construction Supplies Pty Ltd  
7 Lucca Road, Wyong NSW AUS 2259



**Flextool Backpack Concrete Vibrator Flexshaft & Vibrator Heads (All Models)**

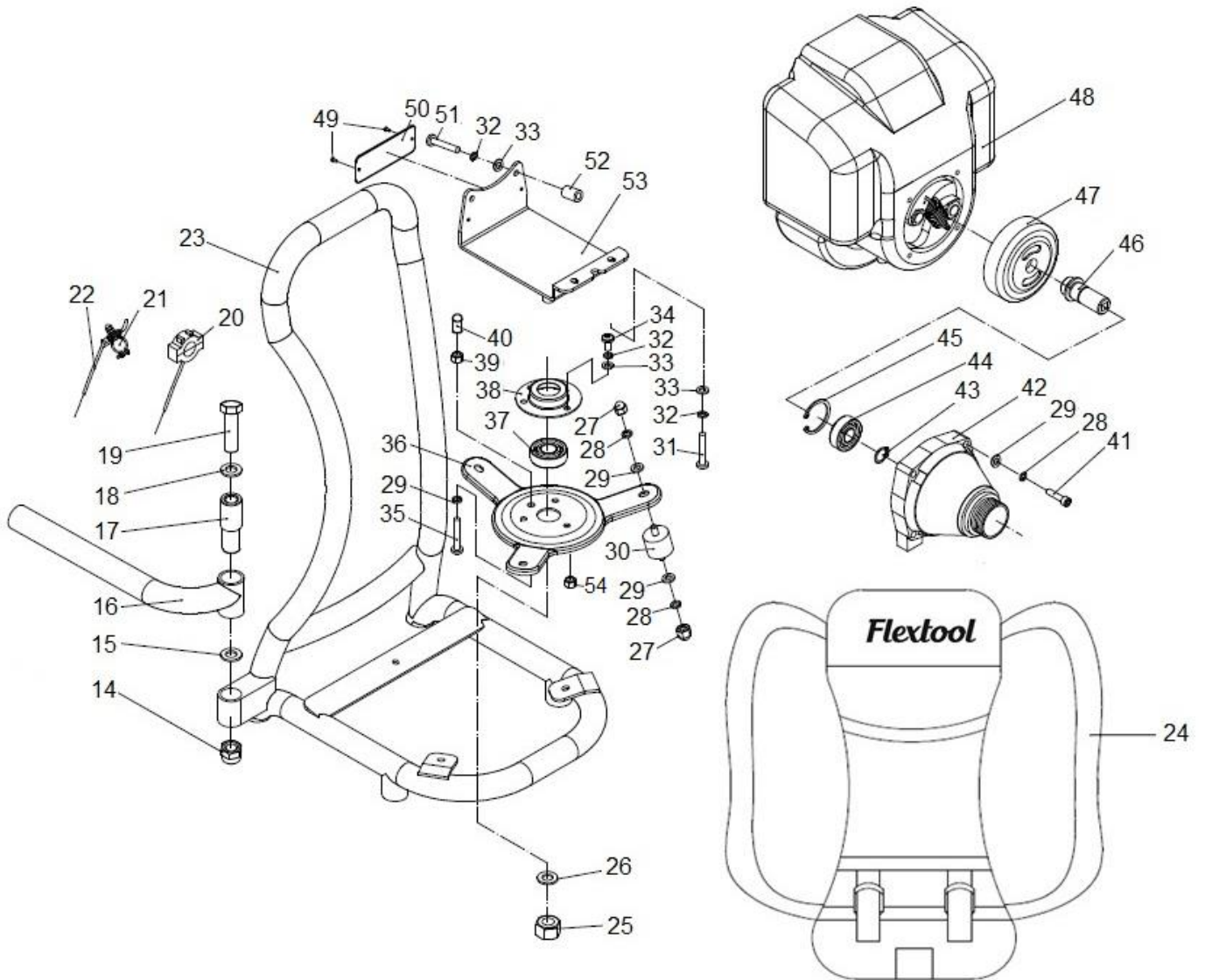
Item No.	Product Code	Description	Qty	Remarks
1	NPS01815-UNIT	FLX NOSE CAP FVE-H34 (086074)	1	
	NPS09333-UNIT	FLX NOSE CAP FVE-H44 (086041)	1	
2	See Remarks	FLX O-RING 25X1.8 FVE-H34 (510360)	2	Use SK-1 or AS-1
	See Remarks	FLX O-RING 32.5X3.55 FVE-H44 (510432)	2	Use SK-2 or AS-2
3	See Remarks	FLX BEARING 6001 FVE-H34 (550558)	4	Use SK-1 or AS-1
	See Remarks	FLX BEARING NSK5202 FVE-H44 (550407)	2	Use SK-2 or AS-2
4	See Remarks	FLX ROTOR FVE-H34 (086073)	1	Use AS-1
	See Remarks	FLX ROTOR FVE-H44 (086040)	1	Use AS-2
5	See Remarks	FLX BARREL FVE-H34 (086072)	1	Use AS-1
	See Remarks	FLX BARREL FVE-H44 (086039)	1	Use AS-2
6	See Remarks	FLX ADAPTOR SPINDLE FVE-H34 (086071)	1	Use AS-1
	See Remarks	FLX ADAPTOR SPINDLE FVE-H44 (086038)	1	Use AS-2
7	See Remarks	FLX OIL SEAL 12X24X7 FVE-H34 (530406)	2	Use SK-1 or AS-1
	See Remarks	FLX OIL SEAL 16X28.5X8 FVE-H44 (530509)	2	Use SK-2 or AS-2
8	See Remarks	FLX ADAPTOR BARREL FVE-H34 (086070)	1	Use AS-1
	See Remarks	FLX ADAPTOR BARREL FVE-H44 (086044)	1	Use AS-2
9	See Remarks	FLX CASING 2M FVE-F2 (086045)	1	Use AS-5
	See Remarks	FLX CASING 3M FVE-F3 (086069)	1	Use AS-6
10	See Remarks	FLX CORE 2M FVE-F2 (810175)	1	Use AS-3 or AS-5
	See Remarks	FLX CORE 3M FVE-F3 (810176)	1	Use AS-4 or AS-6
11	See Remarks	FLX CORE END SQUARE FVE-F2/F3 (086046)	1	Use AS-3, AS-4, AS-5 or AS-6
12	See Remarks	FLX NUT FVE-F2/F3 (086042)	1	Use AS-5 or AS-6
13	See Remarks	FLX FERRULE FVE-F2/F3 (086047)	1	Use AS-5 or AS-6

**Assembly / Service Kits**

Item No.	Product Code	Description	Qty	Remarks
SK-1	NPS01816-UNIT	FLX SERVICE KIT VIBRATOR HEAD FVE-H34 (086352SK)	1	Inc Items: 2,3,7
SK-2	NPS328SK-UNIT	FLX SERVICE KIT VIBRATOR HEAD FVE-H44 (086451SK)	1	Inc Items: 2,3,7

AS-1	FT201860-UNIT	FLX CONC VIBRATOR VIBE HEAD 34MM (FVE-H34) (086360F)	1	Inc Items: 1-8
AS-2	FT201861-UNIT	FLX CONC VIBRATOR VIBE HEAD 44MM (FVE-H44) (086460F)	1	Inc Items: 1-8
AS-3	NPS01818-UNIT	FLX INNER CORE ASSY 2M (086462Z)	1	Inc Items: 10, 11
AS-4	NPS01819-UNIT	FLX INNER CORE ASSY 3M (086463Z)	1	Inc Items: 10, 11
AS-5	FT201858-UNIT	FLX FLEXSHAFT ASSY 2M (FVE-F2) (086462FGZ)	1	Inc Items: 9-13
AS-6	FT201859-UNIT	FLX FLEXSHAFT ASSY 3M (FVE-F3) (086463FGZ)	1	Inc Items: 9-13

Backpack Concrete Vibrator



## Backpack Concrete Vibrator

Item No.	Product Code	Description	Qty	Remarks
14	NPS01794-UNIT	FLX NUT NYLOCK M12 (610421)	1	
15	NPS01797-UNIT	FLX SPRING D26 (650714)	1	
16	NPS01811-UNIT	FLX HANDLE CONTROL ARM (086048)	1	
17	NPS01805-UNIT	FLX SPIN ADAPTOR (086049)	1	
18	NPS01790-UNIT	FLX FLAT WASHER 12MM (650305)	1	
19	NPS01800-UNIT	FLX BOLT M12X80 (590397)	1	
20	NPS01812-UNIT	FLX SWITCH ON/OFF (086057)	1	
21	NPS01817-UNIT	FLX THROTTLE CONTROL LEVER FVE-BP (570103)	1	
22	NPS01806-UNIT	FLX THROTTLE CABLE FVE-BP (086058)	1	
23	NPS01821-UNIT	FLX BACKPACK MAIN FRAME (086059)	1	
24	NPS01820-UNIT	FLX BACKPACK HARNESS (086075)	1	
25	NPS01791-UNIT	FLX NUT M10 (610104)	1	
26	NPS01792-UNIT	FLX WASHER 10MM (650304)	1	
27	NPS01795-UNIT	FLX DOME NUT (610602)	6	
28	NPS01785-UNIT	FLX SPRING WASHER 6MM (650502)	10	
29	NPS01786-UNIT	FLX FLAT WASHER 6MM (650302)	11	
30	NPS01807-UNIT	FLX RUBBER MOUNT (086060)	3	
31	NPS01801-UNIT	FLX BOLT M5X16 (630402)	2	
32	NPS01787-UNIT	FLX SPRING WASHER 5MM (650501)	12	
33	NPS01788-UNIT	FLX FLAT WASHER 5MM (650301)	12	
34	NPS01798-UNIT	FLX BOLT M5X16 (630713)	3	
35	NPS01799-UNIT	FLX BOLT M6X25 (590303)	1	
36	NPS01813-UNIT	FLX TRI SWIVEL SUPPORT BASE (086061)	1	
37	NPS01810-UNIT	FLX BEARING 6202-2Z (550507)	1	
38	NPS01808-UNIT	FLX BEARING COVER (086062)	1	
39	NPS01793-UNIT	FLX NYLOCK NUT M6 (610102)	1	
40	NPS01802-UNIT	FLX RUBBER CAP (086067)	1	
41	See Remarks	FLX BOLT M6X30 (590371)	4	Use AS-7
42	See Remarks	FLX CLUTCH HOUSING COUPLER (086063)	1	Use AS-7
43	See Remarks	FLX CIRCLIP 17MM (670216)	1	Use AS-7
44	See Remarks	FLX BEARING 6203-2RZ (550102)	1	Use AS-7
45	See Remarks	FLX CIRCLIP 40MM (670105)	1	Use AS-7
46	See Remarks	FLX SHAFT COUPLER (086064)	1	Use AS-7
47	See Remarks	FLX CLUTCH DRUM (086065)	1	Use AS-7
48	NPS03318-UNIT	HON ENGINE GX35 (TSUT) PORTAVIBE (570614/5)	1	
49	NPS01789-UNIT	FLX RIVET 3.3X8 (632213)	2	
50	NPS01809-UNIT	FLX SERIAL NUMBER PLATE (710239)	1	
51	NPS01803-UNIT	FLX BOLT M5X35 (8.8) (630453)	2	
52	NPS01804-UNIT	FLX SLEEVE (086068)	2	
53	NPS01814-UNIT	FLX ENGINE SUPPORT BASE (086066)	1	
54	NPS01796-UNIT	FLX NYLOCK NUT M5 (610422)	3	

## Assembly / Service Kits

Item No.	Product Code	Description	Qty	Remarks
AS-7	NPS01822-UNIT	FLX COUPLING ASSY ENGINE (086068)	1	Inc Items: 41-47