



**Flextool**

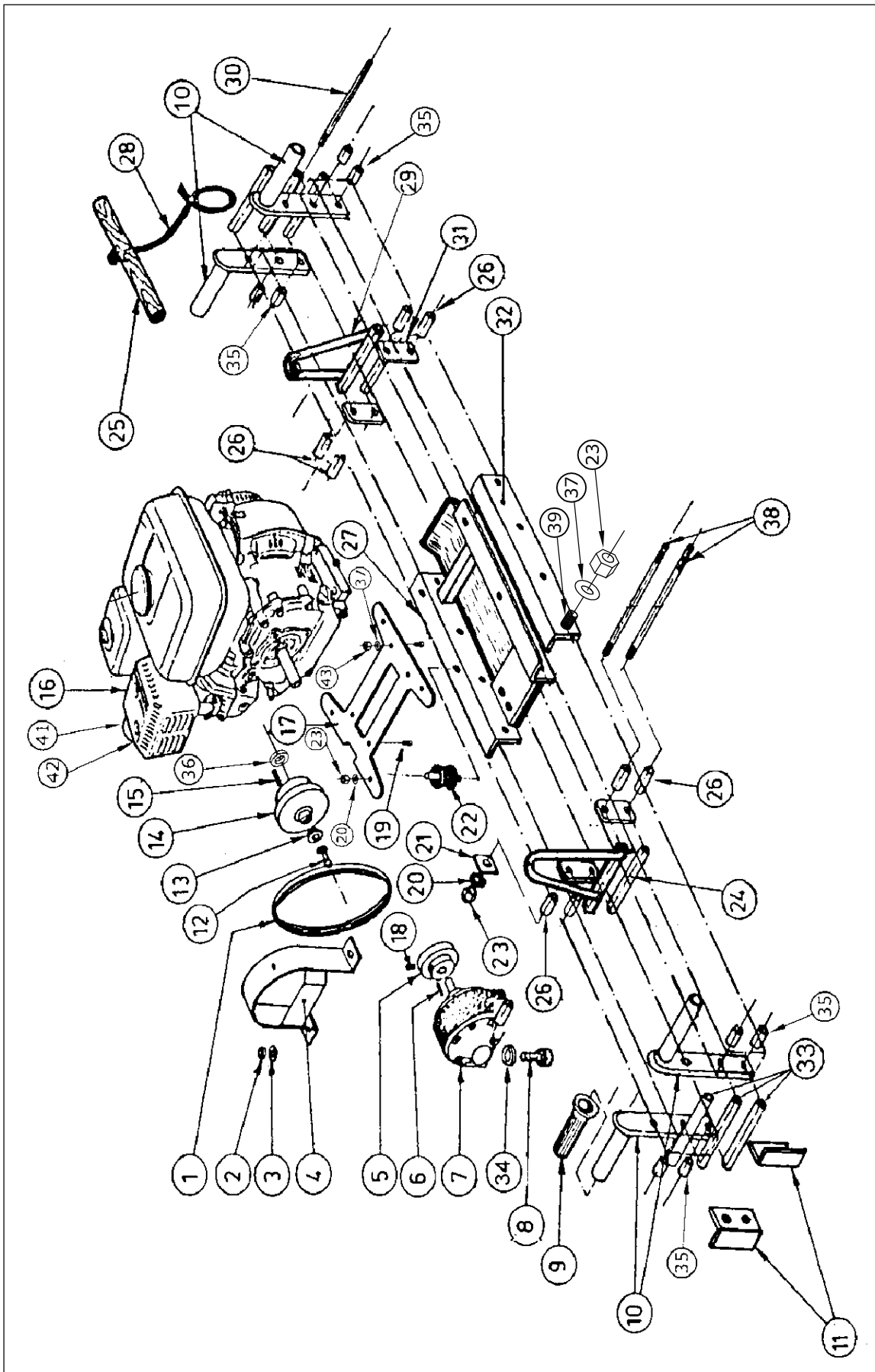
SERVICE SHEET F09610 ISSUE 181207

# VIBRATORY DOUBLE BEAM SCREED

4.1M UNTENSIONED BEAMS, HONDA ENGINE

PART NO.

F09970





# Flextool

SERVICE SHEET F09309 ISSUE 201207

## VIBRATORY DOUBLE BEAM SCREED PARTS LIST

**PART NO.  
F09970**

ITEM NO.	PART NO.	DESCRIPTION	QUANTITY
1	F05434	VEE-BELT (A21)	1
2	F09435	NUT	30
3	F05414	WASHER	26
4	F01903	GUARD	1
5	F05431	PULLEY	1
6	F04261	KEY	1
7	F05584	VIBRATOR ASSEMBLY	1
8	F05432	BOLT	4
9	F09263	HAND GRIP	4
10	F09394	HANDLE	4
11	F09837	END PLATE	4
12	F07670	SCREW	1
13	F09937	RETAINER	1
14	F09218	CLUTCH ASSEMBLY	1
15	F05705	KEY	1
16	F01621	ENGINE	1
17	F08711	FRAME ASSEMBLY	1
18	F04264	SCREW	2
19	F06801	HEX HEAD BOLTS	4
20	F05414	WASHER	20
21	F02100	WASHER	16
22	F05394	RUBBER MOUNT	4
23	F09435	NUT	32
24	F09398	SPACER	2
25	F05407	WOODEN HANDLE	2
26	F08845	SPACER (47MM LONG)	8
27	F05389	SADDLE	1
28	F05408	ROPE	2
29	F01367	LIFTING EYE	2
30	F09825	STUD	2
31	F09826	SIDE PLATE	4
32	F09824	ALUMINIUM ANGLE	2
33	F02652	SPACER	6
34	F05433	WASHER	4
35	F09835	SPACER(41MM LONG)	8
36	F02303	WASHER	1
37	F01286	WASHER	12
38	F09405	STUD	8
39	F05412	HEX HEAD BOLTS	8
40	F01760	ALUMINIUM RHS	1
41	18340-ZE1-010	MUFFLER DEFLECTOR	1
42	18522-ZE1-000	MUFFLER GUIDE	1
43	F09853	NUT	4